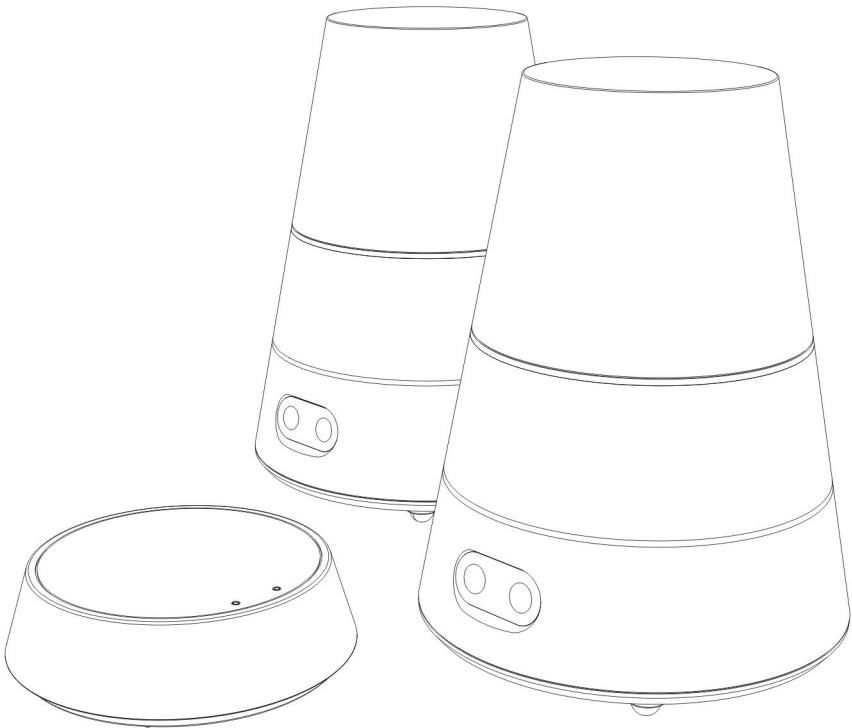


SP4080
Wireless Stereo 863MHz
Speaker System



User's Manual
Please read before using the equipment

INTRODUCTION

This 863 MHz stereo wireless speaker system uses latest wireless technology that enables you to enjoy music and TV sound anywhere inside or outside your home. You can simply connect the system to any audio source such as Radio, TV, VCR, Hi-Fi and iPod/CD/MP3/VCD/DVD player. Without complicated wiring and installation with your Audio/Video equipments and rear channel amplifier, the system enables you to enjoy thrilling, lifelike sound stereo in minutes.

FEATURES

- Automatic Phases Lock Loop (PLL) scanning system on speaker receivers
- Phase Lock Loop (PLL) transmission system on transmitter
- 863 MHz RF technology panel-like speaker systems.
- RF technology lets you roam freely throughout your house.
- Operating distance up to 100 Meters
- No line of sight limitation.
- Virtually interference free stereo quality.
- ALC and auto ON/OFF control.
- Auto tuning function.
- Bass boost function
- Stereo (L and R) and Mono Selection

PACKAGE INCLUDES

1 x Transmitter

1 x AC/DC 8V 200mA Power Adaptor for Transmitter

2 x Speakers

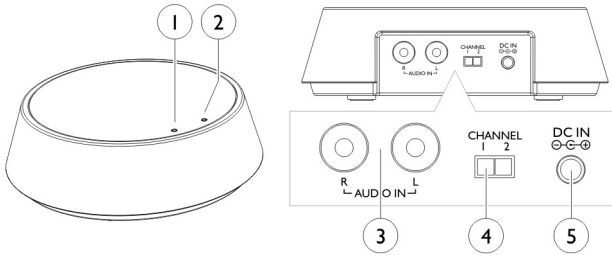
2 x AC/DC 9V 1.2A Power Adaptor for Speakers

1 x 2M Long Audio Cable

1 x Short "Y-Cord" RCA Adapter Cable.

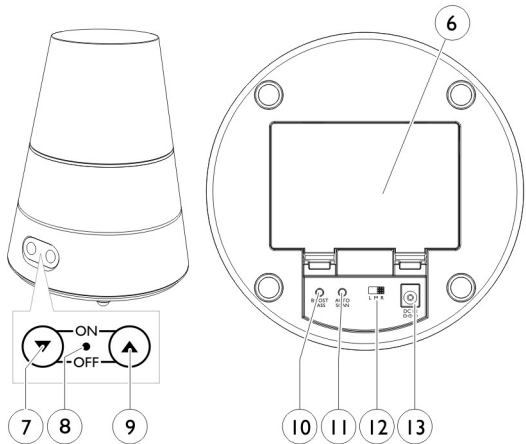
COMPONENT IDENTIFICATION

TRANSMITTER



SPEAKER RECEIVERS

1. Power LED Indicator
2. Signal LED Indicator
3. Audio In
4. Channel Selector
5. DC In (8V)
6. Battery Compartment
7. Volume Down
8. Power/Signal LED Indicator
9. Volume Up
10. Boost Bass
11. Auto Scan
12. Left / Mono / Right
13. DC In (9V)



INSTALLATION

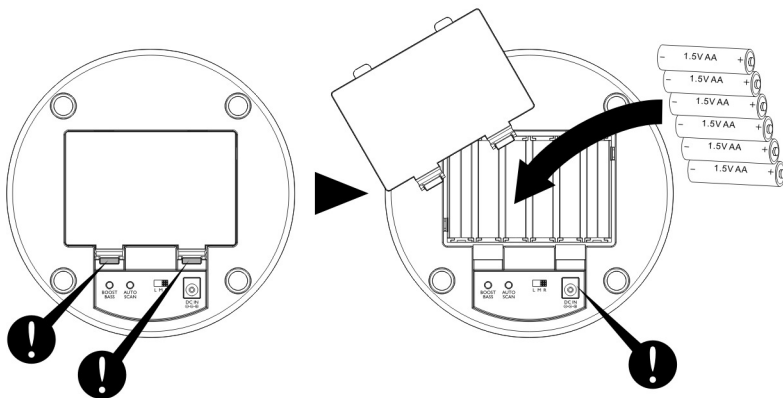
TRANSMITTER

1. Plug the supplied 8V AC/DC power adaptor in the DC jack located on the rear of the transmitter.
2. Connect the supplied 8V AC/DC power adaptor to an electrical wall outlet. The Power LED then glows.
3. The transmitter can be connected to audio output jack of TV, Monitor, VCR, Radio, CD, MP3, VCD or DVD players with the cables provided.

Having finished the above simple wiring, Signal LED glows when the transmitter detects audio input signal played from the source.

SPEAKER RECEIVERS

1. Remove the door of the battery compartment.
2. Insert 6 pieces of 'AA' size ALKALINE batteries into the battery compartment with correct polarity under the speakers, then replace the door of battery compartment, or connect the provided AC/DC 9V Adaptor to the DC input jack under the speakers, then plug it to the wall AC outlet.

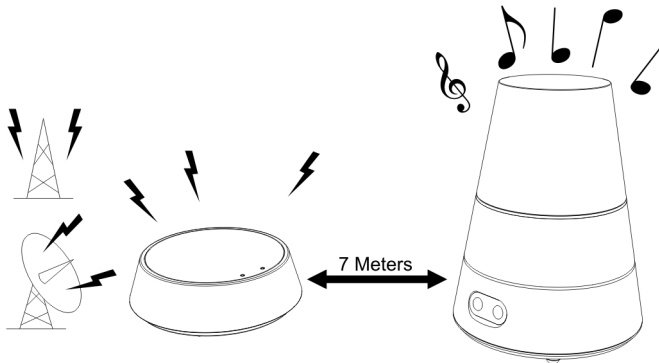


OPERATION

1. Turn on the audio source to which the transmitter is connected with. The Signal LED on transmitter will light up.
2. Select a channel of the transmitter for best performance in your location.
3. Select the L/M/R (Left/Mono/Right) selector under the speakers, one to L and the other to R for the best stereo reception. In case the audio device only provides Mono audio signal, select to M (Mono) for the best mono reception.
4. Turn on the speakers by pressing **both** the Volume Up and Down Buttons **simultaneously**, the LED in front of the speaker glows. To switch off the speakers, press **both** the Volume Up and Down Buttons **simultaneously** again.
5. Push the “AUTO SCAN” button to get the best tuning reception under the speakers. When the button is pressed, frequency tuning starts automatically and it stops when a signal is detected. The glowing LED will be changed to **GREEN** which represent proper reception. Adjust the volume to the desired listening level by pressing Volume Up or Down.
 - a). Keep a distance of 7 meters between speaker and transmitter, and then press “AUTO SCAN “ button for best tuning reception.
 - b). Once the frequency is jammed, select another channel on the transmitter, then press “AUTO SCAN “ button again.
6. The “BOOST BASS” button can be used to enhance the bass sound depending on your own music preferences. Turn the effect ON simply by pressing the button down, and pressing it once again to OFF.

If the power of the transmitter is being cut off, or no audio signal is playing from the source, the glowing LED on the speakers will be changed from **GREEN** to **BLUE** in 4 minutes, even if the frequency between speakers and transmitter is properly matched.

Signal LED on the Transmitter would be cut off automatically if there is no/weak operation input signal from audio source for 4 minutes. When the signal comes back, the transmitter will work again automatically.



NOTE :

You should now be able to place the speakers freely from room to room without disruption. If disruption should occur (signal breaks up), press the “AUTO SCAN” button under the speakers to maximize best reception.

If you hear interference from other components, switch the channel control of transmitter, and then move the speakers to other free location. You can re-adjust the tuning control by moving it among channels of the transmitter, then pressing “AUTO SCAN” button of the speakers for best reception.

When transmitting / receiving over long distances, the signal from the system will become weaker.

TROUBLE SHOOTING

NO SOUND

- Ensure the AC adaptor is fully inserted into the AC outlet and the power connection input on the transmitter.
- Ensure the speaker is switch ON.
- Speaker's battery capacity is too low, replace with new batteries or connect the AC adaptors to the speakers.
- Ensure the TV or audio component is ON.
- The connected audio / video equipment is not playing. Start playing the equipment.
- The volume of speaker is too low, adjust the volume to an appropriate level.

DISTORTED

- Press the "AUTO SCAN" button under the speakers until the frequency between the transmitter and speakers are matched.
- Change the position of the channel selector on the transmitter. You must then press the "AUTO SCAN" button on the speakers.
- Battery capacity is too low. Replace with the new battery.
- Ensure the volume level of speakers is adjusted properly.
- The speaker is too far away from transmitter, move them closer.
- The input level of the audio signal is too low. Turn up the volume of the audio source equipment.

TECHNICAL SPECIFICATIONS

Transmission Mode	: UHF stereo
Carrier Frequency	: 863 MHz
Operation Voltage	: Transmitter, AC/DC 8V 200mA Power Adaptor Speaker, 6 X 'AA' size Alkaline Batteries or AC/DC 9V 1.2A Power Adaptor
Frequency Response	: 40Hz – 12KHz
Distortion	: 1.5%
S/N Ratio	: 65dB
Channel Separation	: 30dB
Operation Distance	: Up to 100 meters (open area)
Output Power	: 2 x 3.5W (RMS)

BATTERY INFORMATION

1. Do not mix old and new batteries. Do not mix alkaline, standard (Carbon-Zinc), or rechargeable (Nickel Cadmium) batteries.
2. To avoid leakage or explosion, do not put batteries in fire.
3. Remove the batteries if product is to be left unused for a long time.
4. Clean the battery contacts prior to battery installation.
5. Dispose of batteries properly.

Mark Feldstein & Associates, inc.

www.markfeldstein.com

Free Manuals Download Website

<http://myh66.com>

<http://usermanuals.us>

<http://www.somanuals.com>

<http://www.4manuals.cc>

<http://www.manual-lib.com>

<http://www.404manual.com>

<http://www.luxmanual.com>

<http://aubethermostatmanual.com>

Golf course search by state

<http://golfingnear.com>

Email search by domain

<http://emailbydomain.com>

Auto manuals search

<http://auto.somanuals.com>

TV manuals search

<http://tv.somanuals.com>