

READ AND SAVE THESE INSTRUCTIONS.



Marley
Engineered Products

MODEL 898L VENTILATOR

GENERAL

Model 898L gives automatic through-the-wall ventilation. It allows placement of the ventilator over the kitchen range and is operated by a wall switch away from the cooking area. Care must be taken at all times in handling the motor blade assembly, so as to avoid bending the blades.

Model 898L is used for installation in frame houses.

IMPORTANT SAFETY INSTRUCTIONS

WARNING:

TO REDUCE THE RISK OF FIRE, ELECTRICAL SHOCK OR INJURY TO PERSONS, OBSERVE THE FOLLOWING:

1. Do not use this fan with any Solid-State speed control device.
2. Use this unit only in the manner intended by the manufacturer. If you have questions, contact the manufacturer.
3. Before servicing or cleaning unit, switch power off at service panel and lock service panel to prevent power from being switched on accidentally.
4. Installation work and electrical wiring must be done by qualified person(s) in accordance with all applicable codes and standards, including fire-rated construction.
5. Sufficient air is needed for proper combustion and exhausting of gases through flue (chimney) of fuel burning equipment to prevent back drafting. Following the heating equipment manufacturer's guideline and safety standards such as those published by the National Fire Protection Association (NFPA), and the American Society for Heating Refrigeration and Air Conditioning Engineers (ASHRAE), and the local code authorities.
6. When cutting or drilling into wall or ceiling, do not damage electrical wiring or other hidden utilities.
7. **CAUTION:** For General Ventilating Use Only! Do not use to exhaust hazardous or explosive materials and vapors.
8. **CAUTION:** To reduce the risk of fire and to properly exhaust air, be sure to duct air outside. DO NOT vent exhaust air into spaces within walls, ceilings, attics, crawl spaces or garages. DO NOT install sleeve or duct in a fire rated wall.

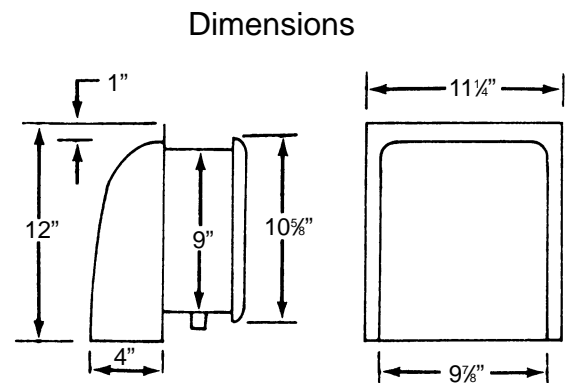


Fig. 1

TOOLS

Installation of your Marley product is easy. No special technical knowledge is needed. Only a few ordinary tools are required:

- Screwdriver
- Hammer
- Saber saw, Keyhole saw, or Jig saw
- Electric drill with bit
- Wire cutters
- Wire stripper
- Wire nuts and general electrical supplies
- Safety glasses
- Ruler and straight edge

All hand tools should be insulated. Power tools should display the UL Listed Mark.

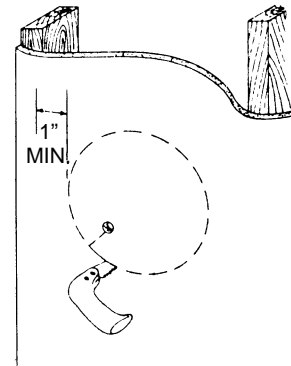


Fig. 2

NEW HOME INSTALLATION

1. Cut round or square hole in sheathing at desired location in wall. Round holes should be $9\frac{1}{8}$ " in diameter. Square holes should be $9\frac{1}{8}$ " on a side. (See Figure 2.)
2. Install door and outside sleeve assembly from outside. Caulk and level assembly before nailing door frame tight. Remove tape, permitting damper door to open. House insulation can be worked around sleeve. (See Figure 3.)
3. Working from inside the house, slide inside sleeve into place temporarily. Determine whether to remove one or both knockouts from outside sleeve, permitting outlet box to drop through. Remove knockouts from outside sleeve. (See Figure 4.)
4. Slide inside sleeve into place again, and pull power cable through outlet box opening. This will determine length of power cable to ventilator. Power line should be run to switch box holding toggle switch or optional timer. Attach cable to outlet box, using an approved connector, and splice cable to receptacle leads in outlet box cover. Ground wire may be attached to grounding bolt in outlet box. (See Wiring Diagram, Figure 5.)
5. Adjust inside sleeves so that flange will be flush with finished wall. Using metal screws, fasten inside housing to outside housing. Screws are supplied with ventilator.
6. Push outlet box and outlet cover into place and fasten with screws.
7. Install motor blade assembly. Engage keyhole slots over screws in ventilator, twist and tighten, making sure that blade is centered in sleeve. Be sure power is OFF, then insert plug into receptacle.
8. Attach grille with knob.

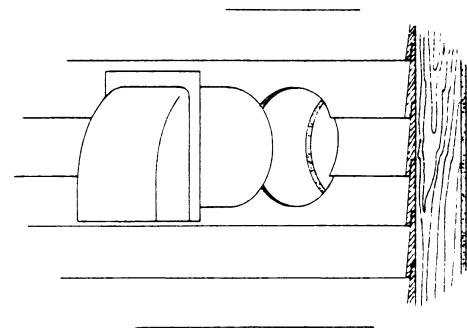


Fig. 3

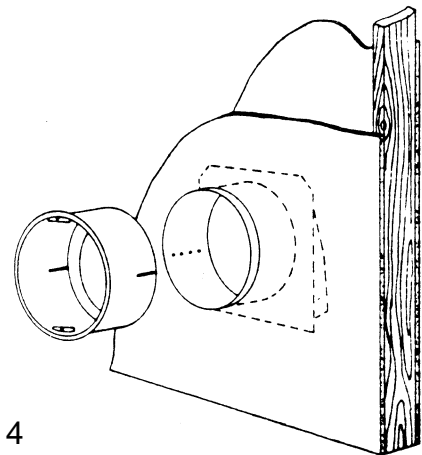


Fig. 4

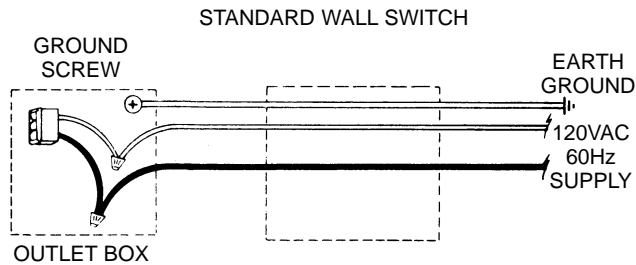


Fig. 5 - Wiring Diagram

CAUTION
BE SURE ALL WIRING COMPLIES WITH
LOCAL AND NATIONAL ELECTRICAL CODES AND
HOUSING IS PROPERLY GROUNDED.

TO INSTALL IN EXISTING HOMES

1. Determine location of ventilator. Check wall for studs and obstructions.
2. Working inside wall first, draw a circle 9 $\frac{1}{8}$ " in diameter at determined location. Be sure opening is at least one inch from studs. (See Figure 2.)
3. Carefully saw opening in plaster. Remove just enough insulation to allow sleeve to pass through, exposing sheathing. Mark center of the hole on the sheathing. At this point, drill small hole to outside.
4. Now work from the outside. Using hole as a center point, draw a circle on outside wall 9 $\frac{1}{8}$ " in diameter. Saw opening. In case of brick or stone, use hammer and chisel to make opening. (See Figure 6.)
5. Install door and outside sleeve assembly from outside. Caulk and level before nailing tight. Remove tape, permitting damper door to open. (See Figure 3.)
6. Working from inside the house, slide inside sleeve into place temporarily. Determine whether to remove one or both knockouts from outside sleeve, permitting outlet box to drop through. Remove knockouts from outside sleeve. (See Figure 4.)
7. Slide inside sleeve into place again and pull power cable through outlet box opening. This will determine length of power cable to ventilator. Power line should be run to switch box holding toggle switch. For more efficient operation, an optional timer is available. Attach cable to outlet box, using approved connector, and splice cable to receptacle leads in outlet box cover. Ground wire may be attached to grounding bolt in outlet box. (See Wiring Diagram, Figure 5.)
8. Adjust inside sleeve so that flange is flush with finished wall. Using metal screws, fasten inside housing to outside housing. Screws are supplied with ventilator.
9. Perform Steps 6-8 as for new homes to finish installation.

TYPICAL INSTALLATIONS

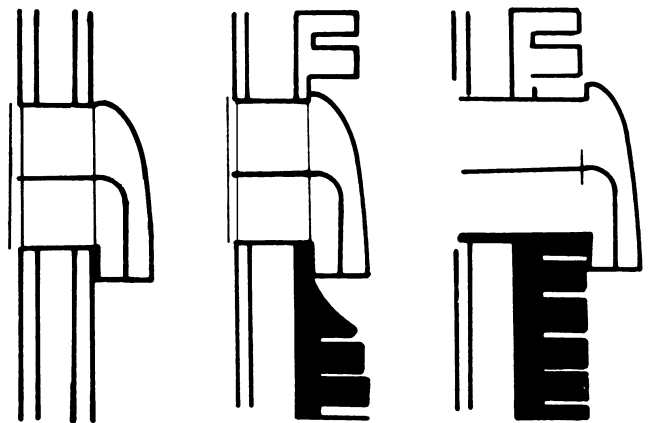


Fig. 6

LIMITED WARRANTY

Dear Customer,

Thank you for your interest in Marley Engineered Products bath fans. We're sure you will enjoy its benefits for many years to come. Please take a minute to fill out the following information and keep it in your permanent records.

Date Purchased _____ Date Installed _____

Model Number _____

LIMITED WARRANTY

This Marley Engineered Products bath fan is warranted to be free of defects in material and workmanship for 12 months from date of original purchase.

Elements for baseboard heaters are warranted for 10 years from the date of original purchase.

There is no other warranty, express or implied, except such as is expressly set forth herein. Seller will not be liable for any general, consequential, or incidental damages, including without limitation any damages for loss of use or loss of profits, for any breach of warranty or for negligence. Seller's liability and buyer's exclusive remedy are limited to the repair of defective goods or the shipment of equivalent goods, or the granting of a reasonable allowance on account of any defects, as the seller may elect.

To obtain performance under this warranty, you must:

1. Contact the Marley Engineered Products Service Department at 1-800-642-HEAT between the hours of 8:30 a.m. and 5:00 p.m. E.S.T. Monday through Friday.
2. Provide the model number of the product, the date of installation, and state the nature of the difficulty being experienced.
3. The Marley Engineered Products Service Representative will determine the best way to resolve the difficulty.

Products within warranty which have been installed and returned to the seller for repair will be repaired and returned as used products. Repairs to products outside the warranty period will be subject to labor and parts charges.

Some states have enacted legislation which (a) does not allow the inclusion of limitations on incidental or consequential damages; (b) does not allow limitations on the length of a warranty period; (c) precludes exclusion, during the period of a limited warranty, of any implied warranties of merchantability or fitness for purpose.

To the extent of such provisions being applicable in your state, the limitations in this warranty may not apply.

TO ENSURE SAFE OPERATION

- Be sure that this unit is correctly installed and wired by a qualified installer in accordance with the instructions and applicable NEC or equivalent codes.
- Be sure that operating instructions are followed and that moving and heating parts are kept clean and free from obstructions.

Any warranties granted or liabilities assumed hereunder will not apply to goods that have been damaged in transit, altered, repaired, installed or operated otherwise than in conformity with the above requirements for safe operation.

HOW TO ORDER REPAIR PARTS

In order to obtain any needed repair or replacement parts, warranty service or technical information, please contact Marley Engineered Products Service Center toll-free by calling 1-800-642-HEAT.

When ordering repair parts, always give the information listed as follows:

1. The Part Number
2. The Model Number
3. The Part Description
4. Date of Manufacture



Marley
Engineered Products

SPX Corporation
470 Beauty Spot Rd. East
Bennettsville, SC 29512 USA

Part No. 5200-2531-000

PPD 035
2-00

Free Manuals Download Website

<http://myh66.com>

<http://usermanuals.us>

<http://www.somanuals.com>

<http://www.4manuals.cc>

<http://www.manual-lib.com>

<http://www.404manual.com>

<http://www.luxmanual.com>

<http://aubethermostatmanual.com>

Golf course search by state

<http://golfingnear.com>

Email search by domain

<http://emailbydomain.com>

Auto manuals search

<http://auto.somanuals.com>

TV manuals search

<http://tv.somanuals.com>