

# AQ215

Compact, dual driver, vented sub-bass system

architectural

## features

- ▶ Very high efficiency 107dB/W/m half space
- ▶ Dual 15" (380mm) direct radiating LF drivers with 4" (100mm) voice coils
- ▶ Compact low profile styling
- ▶ Generously sized, low noise ports
- ▶ Five year limited warranty

## applications

- ▶ Clubs, bars and restaurants
- ▶ Concert halls
- ▶ Live sound in places of worship



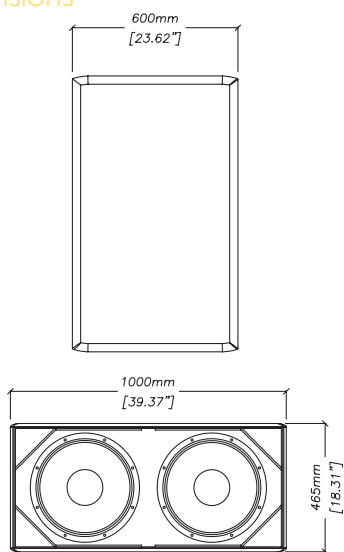
The AQ215 is a dual driver, direct radiating sub-bass in a heavily braced vented enclosure. It features two very efficient 15" (380mm) long-throw bass drivers with high power 4" (100mm) voice coils and generously sized low frequency ports for low noise, high power operation.

The AQ215's extended low-bass response and high efficiency make it the ideal partner for AQ Series full-range loudspeakers where high power, extended bass is required from a relatively compact enclosure.

## technical specifications

TYPE	Compact, dual driver, low profile, vented sub-bass
FREQUENCY RESPONSE (1)	40Hz-120Hz $\pm$ 3dB
DRIVERS	2 x 15" (380mm)/4" (100mm) voice coil LF drivers
RATED POWER (2)	1000W AES, 4000W peak
RECOMMENDED AMPLIFIER	500-1600W into 4 ohms
SENSITIVITY (6), (3)	101dB (open space), 107dB (half space)
MAXIMUM SPL (calculated @ 1m)	126dB continuous, 132dB peak (open space) 132dB continuous, 138dB peak (half space)
NOMINAL IMPEDANCE	4 ohms
CROSSOVER	120Hz active (via AQX controller)
ENCLOSURE	207 litre, braced 18/24mm MDF
FINISH	Textured light grey paint
PROTECTIVE GRILLE	Light grey perforated steel
CONNECTORS	Low profile 20 amp push-lock
FITTINGS	
OPTIONS	Passive low pass filter
DIMENSIONS	(W) 1000mm x (H) 465mm x (D) 600mm (W) 39.4ins x (H) 18.3ins x (D) 23.6ins
WEIGHT	75kg (165lbs)

## overall dimensions



Century Point, Halifax Road, Cressex Business Park,  
High Wycombe, Buckinghamshire HP12 3SL, England.  
Telephone: +44 (0)1494 535312 Facsimile: +44 (0)1494 438669  
E-mail: info@martin-audio.com  
All information is Copyright © 2003 Martin Audio Ltd.



[www.martin-audio.com](http://www.martin-audio.com)

## Free Manuals Download Website

<http://myh66.com>

<http://usermanuals.us>

<http://www.somanuals.com>

<http://www.4manuals.cc>

<http://www.manual-lib.com>

<http://www.404manual.com>

<http://www.luxmanual.com>

<http://aubethermostatmanual.com>

Golf course search by state

<http://golfingnear.com>

Email search by domain

<http://emailbydomain.com>

Auto manuals search

<http://auto.somanuals.com>

TV manuals search

<http://tv.somanuals.com>