

WTUB

Compact theatre under-balcony enclosure

features

- ▶ Seamless coverage over 120°
- ▶ High SPL from compact enclosure
- ▶ High frequency line array with proprietary diffusion phase plug
- ▶ Switchable input configuration
- ▶ Dedicated hardware for under-balcony and ceiling mounting
- ▶ Multi-laminate birch ply construction

applications

- ▶ Under-balcony fill in theatre sound systems
- ▶ Wide dispersion infill
- ▶ Speech and music reinforcement in conference venues



touring and theatre

The Wavefront Theatre WTUB enclosure has been specifically designed for under-balcony use in theatres and infill in venues requiring extremely wide horizontal coverage. The WTUB loudspeaker provides sound reinforcement for speech and music with exceptionally consistent tonal balance over the whole of its coverage angle. It also shares the same tonal characteristics as the larger members of the WT range, the WT2 and 3.

The unusual driver complement and geometry is responsible for the uniform coverage of the enclosure. A triple soft dome, high frequency line array coupled with a proprietary diffusion phase plug gives very wide horizontal and tight vertical dispersion. Its narrow width allows minimal separation between the two 6.5" (165mm) cone drivers. This factor and the drivers' 60° splay are responsible for the seamless horizontal coverage of the WTUB. The two 6.5" (165mm) drivers feature 1.5" (38mm) voice coils and an innovative heat exchange system to reduce power compression. A combination of ferrofluid and a rear mounted heatsink cools the high frequency line array's neodymium magnet assembly, with extreme high frequency overload being dealt with by an auto-resetting over-current device.

Featuring fully passive operation and requiring no controller, the WTUB is extremely straightforward to deploy. The enclosure input configuration is externally switchable between pins 1 and 2 on the fitted Neutrik NL4MP connectors. This allows daisy-chaining of cabinets via a 4 core cable, even when they are fed with different input signals.

The rugged, multi-laminate birch ply enclosure features M8 inserts for the dedicated mounting bracket and an additional M8 'safety chain' point. The multi-angled cabinet rear allows close proximity ceiling mounting with a downward tilt of up to 45°. A pole mount socket gives the additional option of tripod stand mounting.

Century Point, Halifax Road, Cressex Business Park,
High Wycombe, Buckinghamshire HP12 3SL, England.
Telephone: +44 (0)1494 535312 Facsimile: +44 (0)1494 438669
E-mail: info@martin-audio.com
All information is Copyright © 2006 Martin Audio Ltd.

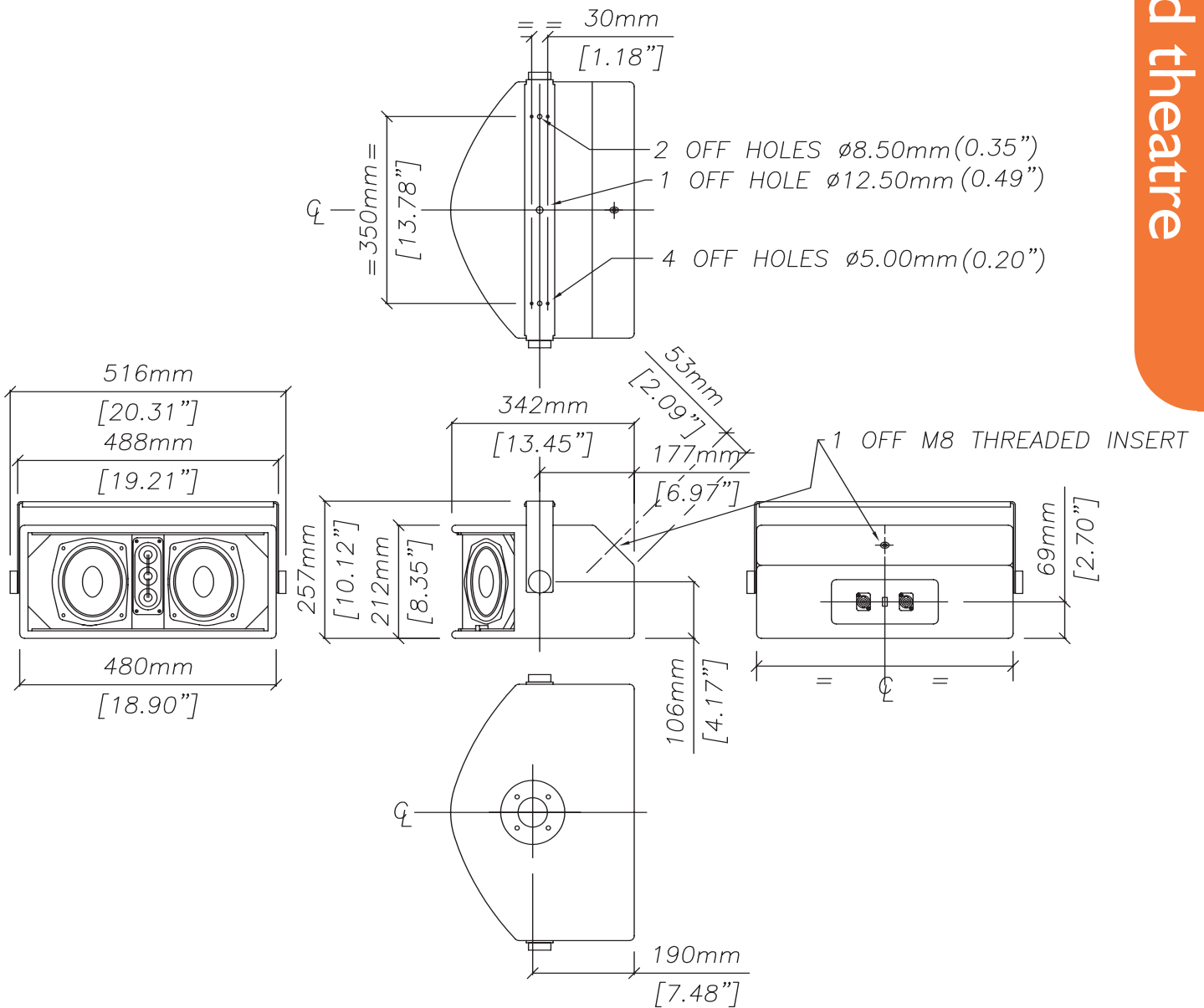


WTUB

Compact theatre under-balcony enclosure

overall dimensions

touring and theatre



WTUB

Century Point, Halifax Road, Cressex Business Park,
High Wycombe, Buckinghamshire HP12 3SL, England.
Telephone: +44 (0)1494 535312 Facsimile: +44 (0)1494 438669
E-mail: info@martin-audio.com
All information is Copyright © 2006 Martin Audio Ltd.



WTUB

Compact theatre under-balcony enclosure

technical specifications

TYPE	Compact two-way passive, under-balcony reflex enclosure
FREQUENCY RESPONSE (5)	80Hz-18kHz \pm 3dB
DRIVERS	2 x 6.5" (165mm) bass mid drivers 3 x 1" (25mm) soft dome HF line array
RATED POWER (2)	200W AES, 800W peak
RECOMMENDED AMPLIFIER	200-400W into 4 ohms
SENSITIVITY (6)	93dB
MAXIMUM SPL (7)	115dB continuous, 121dB peak
NOMINAL IMPEDANCE	8 ohms
DISPERSION (-6dB)	120° horizontal, 40° vertical
CROSSOVER	1.2kHz passive
ENCLOSURE	16 litre, multi-laminate birch ply
FINISH	Textured black paint
PROTECTIVE GRILLE	Black perforated steel
CONNECTORS	2 x Neutrik NL4 switchable for input +1,-1 or +2,-2
FITTINGS	2 x M8 threaded inserts for dedicated bracket 1 x M8 insert for safety point 1 x mounting pole socket
DIMENSIONS	(W) 480mm x (H) 212mm x (D) 344mm (W) 18.9ins x (H) 8.4ins x (D) 13.6ins
WEIGHT	12kg (26.4lbs)

Notes

- (1) Measured on-axis in half space at 2 metres, then referred to 1 metre.
- (2) AES Standard ANSI S4.26-1984.
- (3) Measured in half space at 2 metres with 1 watt input, using band limited pink noise, then referred to 1 metre.
- (4) Measured in half space at 2 metres using band limited pink noise, then referred to 1 metre.
- (5) Measured on-axis in open (4π) space at 2 metres, then referred to 1 metre.
- (6) Measured in open (4π) space at 2 metres with 1 watt input, using band limited pink noise, then referred to 1 metre.
- (7) Measured in open (4π) space at 2 metres using band limited pink noise, then referred to 1 metre.

Trade Descriptions Act

Due to Martin Audio's policy of continuing improvement, we reserve the right to alter these specifications without prior notice. Martin Audio is committed to refining state of the art sound reinforcement, combining in-depth product and field applications research with advanced manufacturing techniques. Every Martin Audio product is built to the highest manufacturing standards and rigorously tested to ensure that it meets the performance criteria specified in the design.

architectural and engineering specifications

The loudspeaker system shall be of the two-way passive type consisting of two 6.5" (165mm) direct radiating reflex loaded low frequency transducers and one triple element high frequency line array coupled with a proprietary diffusion phase plug mounted in a multi-angled plywood enclosure. The enclosure shall be fitted with an integral pole mounting socket and supplied with a flying yoke. Input connector configuration shall be externally selected by a switch at the rear of the enclosure. Low and high frequency sections shall be integrated by an internal 1.2kHz passive crossover network.

Performance of the loudspeaker system with its electronic controller shall meet or exceed the following criteria:

Frequency response measured 1 metre on axis shall be 80Hz-18kHz \pm 3dB.

High frequency dispersion at -6dB points shall be 120°H x 40°V.

Power handling shall be 200W AES, 800W peak. Rated impedance shall be 8 ohms.

Maximum SPL measured at 1 metre on axis shall be 115dB continuous, 121dB peak.

Dimensions (W) 480mm x (H) 212mm x (D) 344mm (18.9ins x 8.4ins x 13.6ins).

Weight 12kg (26.4lbs).

The loudspeaker system shall be the Martin Audio WTUB.

Century Point, Halifax Road, Cressex Business Park,
High Wycombe, Buckinghamshire HP12 3SL, England.
Telephone: +44 (0)1494 535312 Facsimile: +44 (0)1494 438669
E-mail: info@martin-audio.com
All information is Copyright © 2006 Martin Audio Ltd.



Free Manuals Download Website

<http://myh66.com>

<http://usermanuals.us>

<http://www.somanuals.com>

<http://www.4manuals.cc>

<http://www.manual-lib.com>

<http://www.404manual.com>

<http://www.luxmanual.com>

<http://aubethermostatmanual.com>

Golf course search by state

<http://golfingnear.com>

Email search by domain

<http://emailbydomain.com>

Auto manuals search

<http://auto.somanuals.com>

TV manuals search

<http://tv.somanuals.com>