

W3P

Compact three-way trapezoid system

features

- ▶ Arrayable compact trapezoid enclosure
- ▶ Three-way passive system
- ▶ Very high SPL output capability
- ▶ 65° coverage angle from compound mid/high horn
- ▶ Multi-laminate birch plywood construction
- ▶ Certified MAN quick-connect flying option

applications

- ▶ Theatre sound systems
- ▶ Club sound reinforcement
- ▶ Underslung/infill for concert sound reinforcement
- ▶ Music playback in nightclubs
- ▶ On-stage instrument monitor



touring and theatre

Extremely versatile, the Wavefront W3P is a unique, innovative full-range system, utilising advanced Martin Audio engineering to achieve true three-way full frequency performance from an enclosure only 28" high. It delivers the clarity required for speech and music applications as well as the power, warmth and depth to generate an exciting live sound or playback experience in nightclubs.

The low frequency driver is a powerful 15" (380mm) transducer cooled by a heat exchange system developed to reduce power compression. Mid-range and high frequencies are generated by a unique mid/HF horn featuring the same technology used in Wavefront 8 touring systems. The mid-range and high frequency horns are designed to have matched coverage patterns to ensure that they combine perfectly both on and off-axis.

Century Point, Halifax Road, Cressex Business Park,
High Wycombe, Buckinghamshire HP12 3SL, England.
Telephone: +44 (0)1494 535312 Facsimile: +44 (0)1494 438669
E-mail: info@martin-audio.com
All information is Copyright © 2006 Martin Audio Ltd.

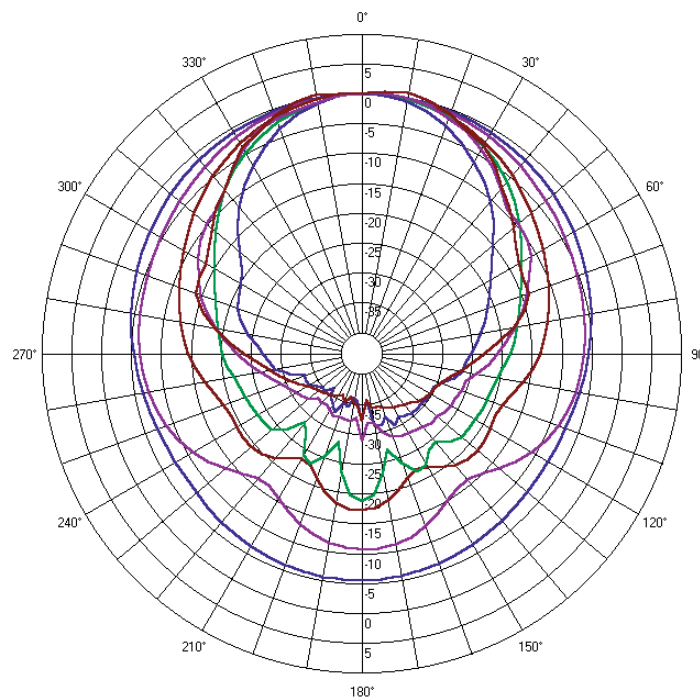
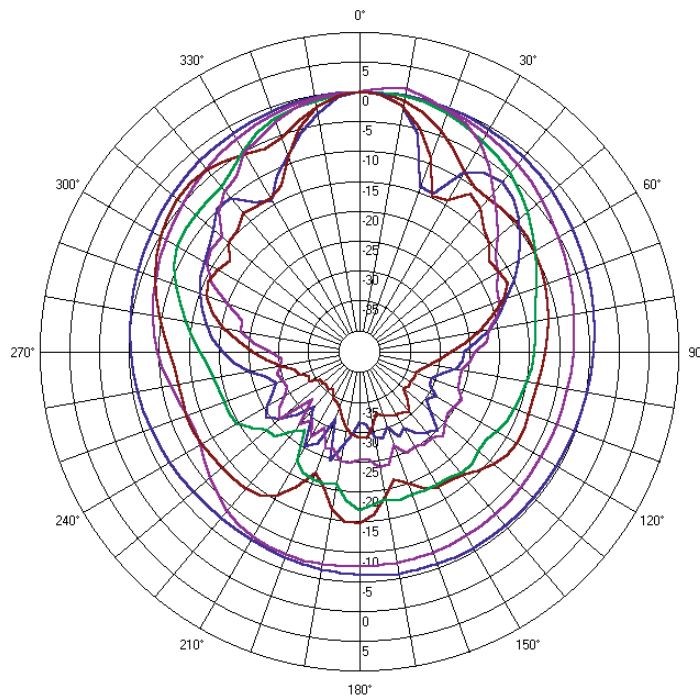


W3P

Compact three-way trapezoid system

polar plots

touring and theatre



Century Point, Halifax Road, Cressex Business Park,
High Wycombe, Buckinghamshire HP12 3SL, England.
Telephone: +44 (0)1494 535312 Facsimile: +44 (0)1494 438669
E-mail: info@martin-audio.com
All information is Copyright © 2006 Martin Audio Ltd.

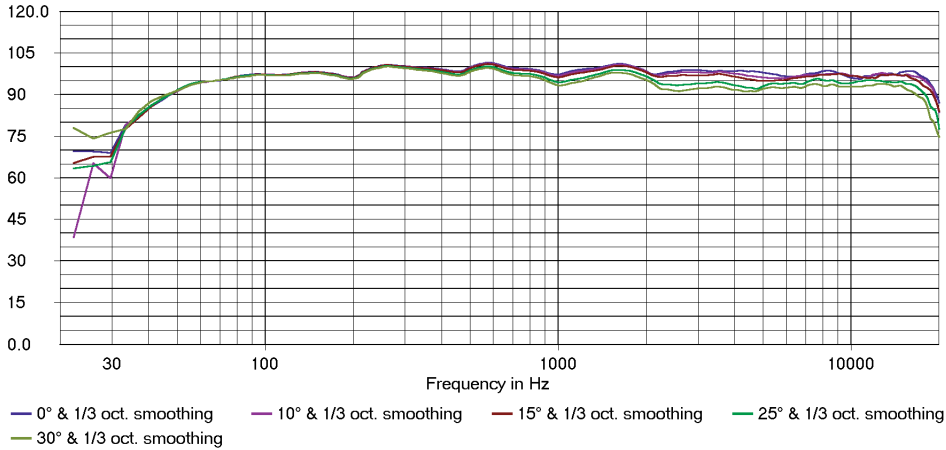


W3P

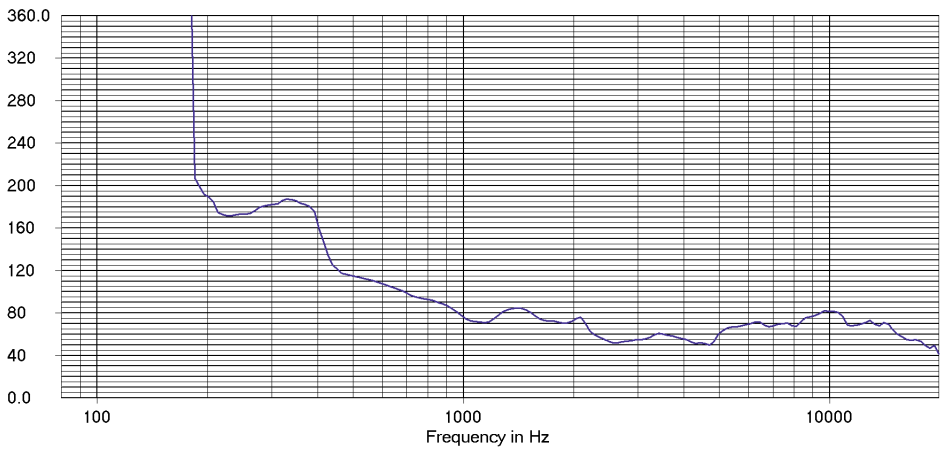
Compact three-way trapezoid system

frequency responses

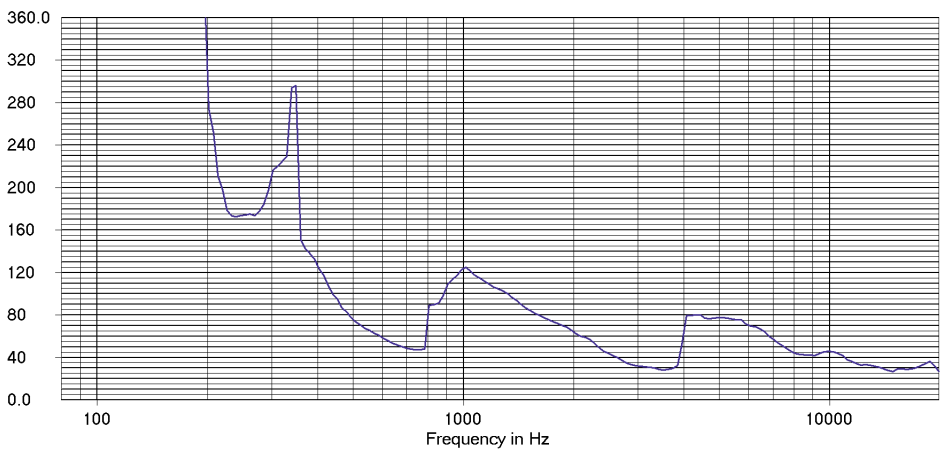
W3 Horizontal Magnitude in dB SPL/2.83V at 1 meter



W3 Horizontal Beamwidth



W3 Vertical Beamwidth



Century Point, Halifax Road, Cressex Business Park,
High Wycombe, Buckinghamshire HP12 3SL, England.
Telephone: +44 (0)1494 535312 Facsimile: +44 (0)1494 438669
E-mail: info@martin-audio.com
All information is Copyright © 2006 Martin Audio Ltd.



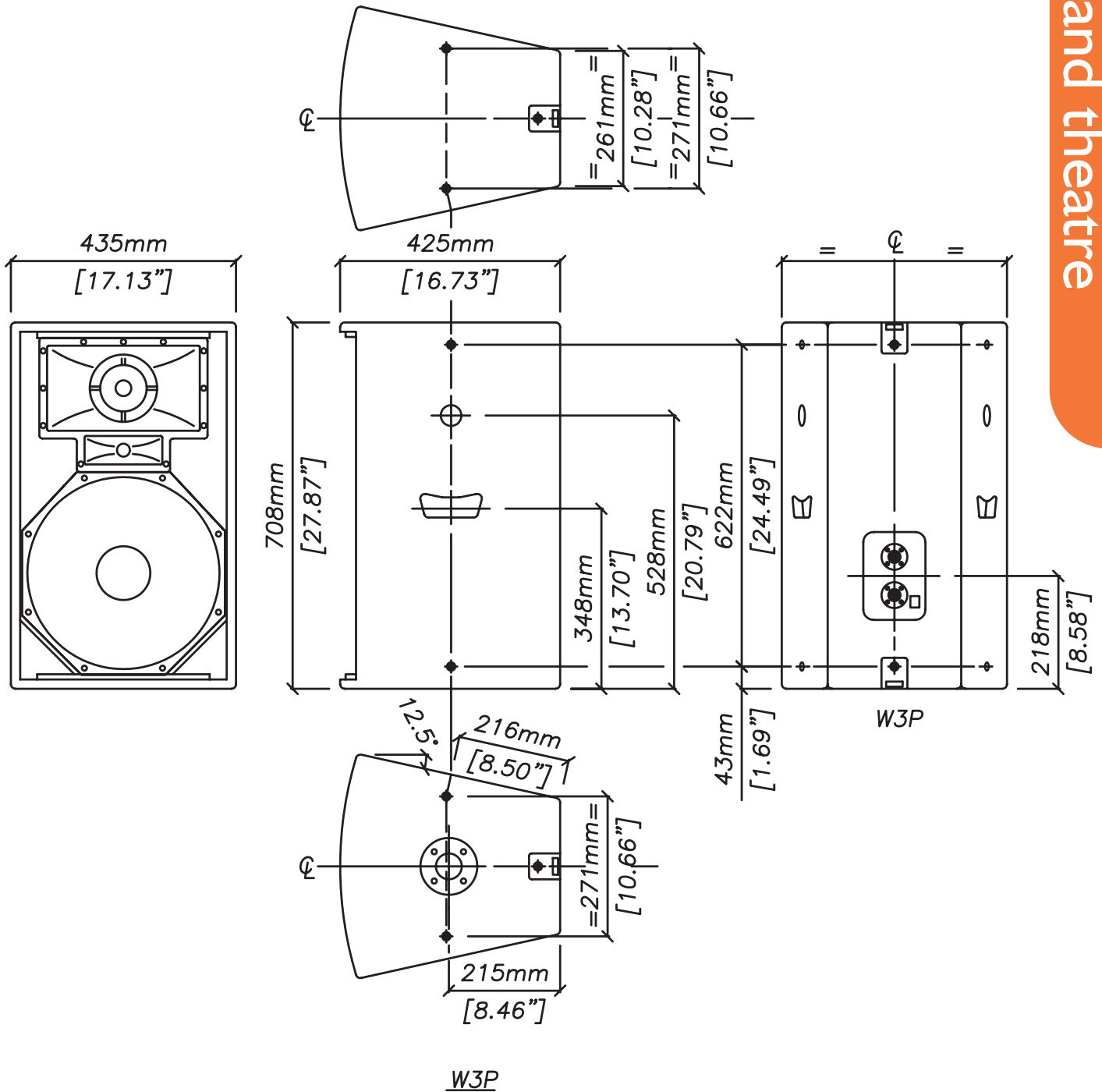
touring and theatre

W3P

Compact three-way trapezoid system

overall dimensions

touring and theatre



Century Point, Halifax Road, Cressex Business Park,
High Wycombe, Buckinghamshire HP12 3SL, England.
Telephone: +44 (0)1494 535312 Facsimile: +44 (0)1494 438669
E-mail: info@martin-audio.com
All information is Copyright © 2006 Martin Audio Ltd.



W3P

Compact three-way trapezoid system

technical specifications

TYPE	Compact three-way trapezoid
FREQUENCY RESPONSE (5)	55Hz-18kHz \pm 3dB -10dB @ 45Hz
DRIVERS	15" (380mm) / 3" (75mm) voice coil 6.5" (165mm) horn loaded mid-range 1" (25mm) exit HF compression driver
RATED POWER (2)	400W AES, 1600W peak
RECOMMENDED AMPLIFIER	400-550W into 4 ohms
SENSITIVITY (6)	100dB
MAXIMUM SPL (7)	125dB continuous, 131dB peak
NOMINAL IMPEDANCE	8 ohms
DISPERSION (-6dB)	65° horizontal, 40° vertical
CROSSOVER	650Hz, 3.3kHz passive
FINISH	Textured grey paint
PROTECTIVE GRILLE	Grey perforated steel
CONNECTORS	2 x Neutrik NL4
FITTINGS	8 x M8 1 x mounting pole socket 2 x MAN blanking plates 2 x rear kelp fittings
DIMENSIONS	(W) 435mm x (H) 708mm x (D) 425mm (W) 17.1ins x (H) 27.9ins x (D) 16.7ins
WEIGHT	34.5kg (75.9lbs)

accessories

HTKWT3Y	Flying yoke
HTKCT05	8mm Shouldered eye bolt
GPT060	Fitted enclosure flying points
HTKLI5	Lightweight install stud

Notes

- (1) Measured on-axis in half space at 2 metres, then referred to 1 metre.
- (2) AES Standard ANSI S4.26-1984.
- (3) Measured in half space at 2 metres with 1 watt input, using band limited pink noise, then referred to 1 metre.
- (4) Measured in half space at 2 metres using band limited pink noise, then referred to 1 metre.
- (5) Measured on-axis in open (4π) space at 2 metres, then referred to 1 metre.
- (6) Measured in open (4π) space at 2 metres with 1 watt input, using band limited pink noise, then referred to 1 metre.
- (7) Measured in open (4π) space at 2 metres using band limited pink noise, then referred to 1 metre.

Trade Descriptions Act

Due to Martin Audio's policy of continuing improvement, we reserve the right to alter these specifications without prior notice. Martin Audio is committed to refining state of the art sound reinforcement, combining in-depth product and field applications research with advanced manufacturing techniques. Every Martin Audio product is built to the highest manufacturing standards and rigorously tested to ensure that it meets the performance criteria specified in the design.

architectural and engineering specifications

The loudspeaker system shall be of the three-way type consisting of one 15" (380mm) direct radiating reflex loaded low frequency transducer, one 6.5" (165mm) cone driver mounted on a constant directivity horn flare with integral toroidal waveguide and one 1" (25mm) exit HF compression driver mounted on a constant directivity horn in a trapezoidal plywood enclosure. The enclosure shall be fitted with an integral pole mounting socket and threaded inserts for wall and ceiling mounting. Low and mid frequency sections shall be integrated by an internal 650Hz passive crossover network and mid and high frequency sections shall be integrated by an internal 3.3kHz passive crossover network.

Performance of the loudspeaker system with its electronic controller shall meet or exceed the following criteria:

Frequency response measured 1 metre on axis shall be 55Hz-18kHz \pm 3dB.

High frequency dispersion at -6dB points shall be 65° H x 40° V.

Power handling shall be 400W AES, 1600W peak.

Rated impedance shall be 8 ohms.

Maximum SPL measured at 1 metre on axis shall be 125dB continuous, 131dB peak.

Dimensions (W) 435mm x (H) 708mm x (D) 425mm (17.1ins x 27.9ins x 16.7ins).

Weight 34.5kg (75.9lbs).

The loudspeaker system shall be the Martin Audio W3P.

Century Point, Halifax Road, Cressex Business Park,
High Wycombe, Buckinghamshire HP12 3SL, England.
Telephone: +44 (0)1494 535312 Facsimile: +44 (0)1494 438669
E-mail: info@martin-audio.com
All information is Copyright © 2006 Martin Audio Ltd.



Free Manuals Download Website

<http://myh66.com>

<http://usermanuals.us>

<http://www.somanuals.com>

<http://www.4manuals.cc>

<http://www.manual-lib.com>

<http://www.404manual.com>

<http://www.luxmanual.com>

<http://aubethermostatmanual.com>

Golf course search by state

<http://golfingnear.com>

Email search by domain

<http://emailbydomain.com>

Auto manuals search

<http://auto.somanuals.com>

TV manuals search

<http://tv.somanuals.com>