



## ATMC-D SERIES

### Air-Thru Dual Access Milk Coolers



*Features the lowest entry point in the industry allowing easier access for small children and for stocking product*

#### MODELS

- ATMC-84DSS
- ATMC-124DSS
- ATMC-164DSS

ATMC-124DSS

## FEATURES

#### CONSTRUCTION

- Dual access
- Stainless steel interior and exterior
- Cabinet is insulated with foamed-in-place polyurethane
- Four easy roll swivel casters, two locking
- Epoxy-coated heavy-duty floor racks
- NSF-listed drain
- NSF-listed thermometer

#### DOOR

- Door is insulated and has gaskets
- Chrome-plated hinges

- Fold-back door locks to safely stay open during use
- Key locks

#### REFRIGERATION

- Air-thru evaporator
- Self-contained design
- Refrigerant: R-134a
- Easily accessed modular refrigeration system flush mounted on side of cooler with all components outside the milk storage compartment
- Large cooling capacity to maintain the required storage temperature

- Condensate evaporator
- Operating temperature: 38°F (3°C)

#### WARRANTY

- Standard limited one year compressor, 18 month labor and one year limited parts

## CAPACITY

| MODEL       | CASES WITH CARTONS |         |                  |         | LOOSE CARTON (WITHOUT CASES) |        |
|-------------|--------------------|---------|------------------|---------|------------------------------|--------|
|             | 13" x 13" x 11"H   |         | 19" x 13" x 11"H |         | 1/2 PINT                     | 1 PINT |
|             | CASES              | CARTONS | CASES            | CARTONS |                              |        |
| ATMC-84DSS  | 8                  | 352     | 4                | 288     | 864                          | 432    |
| ATMC-124DSS | 12                 | 528     | 8                | 576     | 1368                         | 684    |
| ATMC-164DSS | 16                 | 704     | 12               | 864     | 1800                         | 900    |

## OPTIONS

- Extended four year compressor warranty



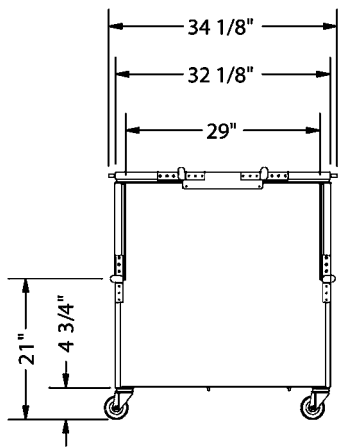
# ATMC-D SERIES

## AIR-THRU DUAL ACCESS MILK COOLERS

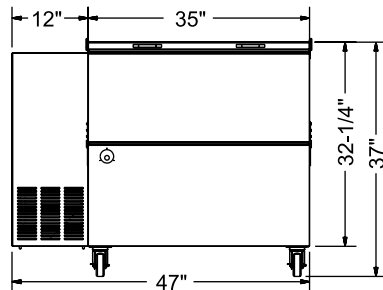
### TECHNICAL SPECIFICATIONS

| MODEL       | DIMENSIONS (in.) |                                |    | DIMENSIONS (mm) |     |     | VOLTS | AMPS | UNIT H.P. | NO. OF FLOOR RACKS | CAP. CU. FT. | SHIP CU. FT. | SHIP WT. (LB/KG) |
|-------------|------------------|--------------------------------|----|-----------------|-----|-----|-------|------|-----------|--------------------|--------------|--------------|------------------|
|             | L                | D                              | H* | L               | D   | H*  |       |      |           |                    |              |              |                  |
| ATMC-84DSS  | 47               | 34 <sup>1</sup> / <sub>8</sub> | 37 | 1194            | 845 | 940 | 115   | 7.1  | 1/3       | 2                  | 13.0         | 43.3         | 250/114          |
| ATMC-124DSS | 61               | 34 <sup>1</sup> / <sub>8</sub> | 37 | 1549            | 845 | 940 | 115   | 7.1  | 1/3       | 3                  | 19.9         | 55.1         | 300/136          |
| ATMC-164DSS | 75               | 34 <sup>1</sup> / <sub>8</sub> | 37 | 1905            | 845 | 940 | 115   | 7.1  | 1/3       | 4                  | 25.6         | 67.1         | 350/159          |

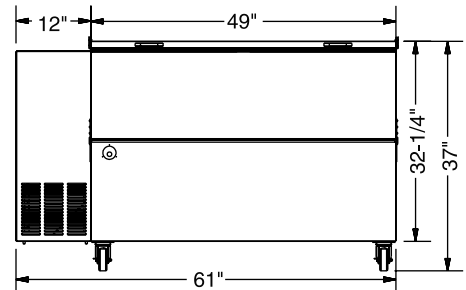
\*Height includes casters.



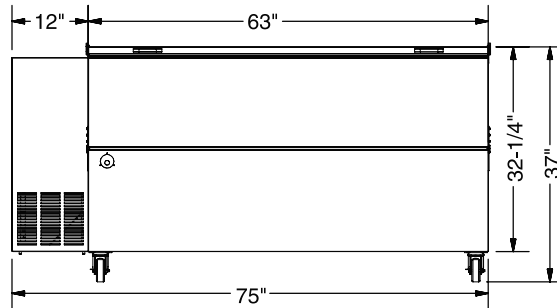
SIDE VIEW - ALL



ATMC-82D ELEVATION VIEW



ATMC-122D ELEVATION VIEW



ATMC-162D ELEVATION VIEW

### LISTINGS



### HOOKUP

Via plug in, 8 foot long flexible three wire 16/3 cord with molded plug.



### BID SPECIFICATIONS

Item no. ATMC- \_\_\_\_\_DSS  
Provide \_\_\_\_\_ ( ) Air-Thru Dual Access Milk Cooler(s), Master-Bilt model no. ATMC- \_\_\_\_\_DSS.

Milk cooler to be constructed of stainless steel on both interior and exterior and will be insulated with foamed-in-place polyurethane. It will be equipped with four swivel casters, two of which will be locking. Epoxy-coated heavy-duty floor

racks will also be standard as will an NSF-listed drain and thermometer.

Doors to be insulated and will have gaskets and chrome-plated hinges. In addition, doors will fold back and lock to safely stay open during use and will feature key locks.

The refrigeration system will feature an exclusive air-thru, self-contained design and will have a condensate evaporator.

The system will be a modular type flush mounted on side of cooler with all components outside the milk storage compartment. The refrigerant will be R-134a and the operating temperature will be 38°F (3°C).

Cooler to have standard limited one year compressor, 18 month labor and one year limited parts warranty.

Cooler to be UL and C-UL listed and UL EPH classified.

NOTE: Cabinet designed for optimum performance in air-conditioned area at 75°F ambient and 55% relative humidity. All specifications subject to change without notice.



908 Highway 15 North • New Albany, MS 38652  
PHONE: 800-647-1284 or 662-534-9061 • FAX: 800-232-3966 or 662-534-6049 • www.master-bilt.com



## Free Manuals Download Website

<http://myh66.com>

<http://usermanuals.us>

<http://www.somanuals.com>

<http://www.4manuals.cc>

<http://www.manual-lib.com>

<http://www.404manual.com>

<http://www.luxmanual.com>

<http://aubethermostatmanual.com>

Golf course search by state

<http://golfingnear.com>

Email search by domain

<http://emailbydomain.com>

Auto manuals search

<http://auto.somanuals.com>

TV manuals search

<http://tv.somanuals.com>