



BEL-5-30
 (shown with
 ends installed)

BEM/BEL SERIES

Endless Remote Glass Door Merchandisers With Bottom Mounted Coil

MEDIUM TEMP MODELS (24" WIDE DOORS)

- BEM-3-24 BEM-5-24
- BEM-4-24 BEM-6-24

LOW TEMP MODELS (24" WIDE DOORS)

- BEL-3-24 BEL-5-24
- BEL-4-24 BEL-6-24

MEDIUM TEMP MODELS (30" WIDE DOORS)

- BEM-2-30 BEM-4-30
- BEM-3-30 BEM-5-30

LOW TEMP MODELS (30" WIDE DOORS)

- BEL-2-30 BEL-4-30
- BEL-3-30 BEL-5-30

FEATURES

CONSTRUCTION

- White painted galvanized steel cabinet
- Ends must be ordered separately
- 2" foamed-in-place "zero ODP" urethane insulation
- Vertical electronic lighting with T-8 lamps
- Large vinyl cart bumper rail
- Standard cantilever white epoxy-coated welded wire shelving with price tag molding
- Shelves rated to support 110 lbs. each
- Pre-wired cabinet-to-cabinet electrical terminal block connectors
- Standard joining kits when linking together multi-door modules
- Pre-piped drain

DOORS

- Choice of 24" or 30" wide glass doors
- Self-closing
- Door hinges easily adjustable for closing tension and leveling
- Standard black door and frame (optional colors available)

FINISH

- Sparkling white polyester enamel interior and exterior

REFRIGERATION

- All models designed for remote refrigeration systems
- Refrigerant:
 - BEM models: R-22
 - BEL models: R-404A
- Factory tested refrigeration system
- Oversized raceway for ease of refrigeration piping
- Full length heavy-duty copper tube evaporator coil
- Choice of electric or hot gas defrost
- Pre-mounted expansion valve
- R-factor (insulation efficiency rating): 18.75
- Temperature range:
 - BEM models
 34° to 41°F (1° to 5°C)
 - BEL models
 0° to -15°F (18° to -26°C)

WARRANTY

- One year limited parts

OPTIONS

- Right or left hand end kits
- Custom colors
- Insulated and non-insulated partitions
- Stainless steel kickplate
- Mounted dial thermometer
- Additional cantilever shelves
- Solid shelving
- Baskets



BEM/BEL SERIES

ENDLESS REMOTE GLASS DOOR MERCHANDISERS
WITH BOTTOM MOUNTED COIL

TECHNICAL SPECIFICATIONS

MODEL	DIMENSIONS (in.)			DIMENSIONS (mm)			NO. OF DOORS	NO. OF SHELVES	SHELVING AREA SQ. FT.		USABLE CU. FT.	PRODUCT FACING SQ. FT.	NO. OF INTERIOR LIGHTS
	L*	D	H	L*	D	H			5 SHELVES	WITH OPTIONAL 6TH SHELF			
24" WIDE DOOR MODELS													
BEM/BEL-3-24	72 ³ / ₈	37 ¹ / ₄	82 ¹ / ₂	1838	946	2096	3	15	52.9	63.6	59.2	32.5	4
BEM/BEL-4-24	96 ¹ / ₈	37 ¹ / ₄	82 ¹ / ₂	2442	946	2096	4	20	70.6	84.8	78.7	43.2	5
BEM/BEL-5-24	119 ⁷ / ₈	37 ¹ / ₄	82 ¹ / ₂	3045	946	2096	5	25	88.3	106.0	98.0	53.9	6
BEM/BEL-6-24	143 ⁵ / ₈	37 ¹ / ₄	82 ¹ / ₂	3648	946	2096	6	30	105.9	127.2	117.0	64.6	7
30" WIDE DOOR MODELS													
BEM/BEL-2-30	62	37 ¹ / ₄	82 ¹ / ₂	1575	946	2096	2	10	45.5	54.6	50.7	27.9	3
BEM/BEL-3-30	92 ⁷ / ₁₆	37 ¹ / ₄	82 ¹ / ₂	2348	946	2096	3	15	68.3	81.9	75.7	41.6	4
BEM/BEL-4-30	122 ⁷ / ₈	37 ¹ / ₄	82 ¹ / ₂	3121	946	2096	4	20	91.0	109.2	100.5	55.3	5
BEM/BEL-5-30	153 ⁵ / ₁₆	37 ¹ / ₄	82 ¹ / ₂	3894	946	2096	5	25	113.8	136.5	125.4	68.9	6

*Add 2" (51mm) to length for each end or insulated partition.

NOTE: Medium temp units furnished with R-22 expansion valve unless otherwise specified. Low temp units furnished with R-404A expansion valve unless otherwise specified.

ELECTRICAL

MODEL	120 VOLT - 1 PHASE			230 VOLT - 1 PHASE	
	LIGHTS	HEATERS	FANS	FANS	DEFROST
MEDIUM TEMP 24" WIDE DOORS					
BEM-3-24	2.0	2.7	0.9	N/A	N/A
BEM-4-24	2.5	3.5	1.4	N/A	N/A
BEM-5-24	3.0	4.3	1.8	N/A	N/A
BEM-6-24	3.4	5.1	2.3	N/A	N/A
MEDIUM TEMP 30" WIDE DOORS					
BEM-2-30	1.5	2.1	0.9	N/A	N/A
BEM-3-30	2.0	3.1	1.4	N/A	N/A
BEM-4-30	2.5	4.0	1.8	N/A	N/A
BEM-5-30	3.0	5.0	2.3	N/A	N/A
LOW TEMP 24" WIDE DOORS					
BEL-3-24	2.0	5.6	N/A	0.5	9.9
BEL-4-24	2.5	7.4	N/A	0.7	13.1
BEL-5-24	3.0	9.1	N/A	0.9	16.4
BEL-6-24	3.4	10.7	N/A	1.2	19.6
LOW TEMP 30" WIDE DOORS					
BEL-2-30	1.5	4.5	N/A	0.5	8.5
BEL-3-30	2.0	6.6	N/A	0.7	12.5
BEL-4-30	2.5	8.7	N/A	0.9	16.8
BEL-5-30	3.0	10.6	N/A	1.2	20.9

SHIPPING WEIGHTS

MODEL	SHIP WT. LB/KG
MEDIUM TEMP 24" WIDE DOORS	
BEM-3-24	1204/547
BEM-4-24	1490/677
BEM-5-24	1760/800
BEM-6-24	2080/945
MEDIUM TEMP 30" WIDE DOORS	
BEM-2-30	984/446
BEM-3-30	1500/682
BEM-4-30	1920/872
BEM-5-30	2340/1064
LOW TEMP 24" WIDE DOORS	
BEL-3-24	1150/523
BEL-4-24	1520/691
BEL-5-24	1785/811
BEL-6-24	2100/954
LOW TEMP 30" WIDE DOORS	
BEL-2-30	1085/493
BEL-3-30	1500/682
BEL-4-30	1900/864
BEL-5-30	2260/1027

LISTINGS



HOOKUP

Hardwire, remote refrigeration.

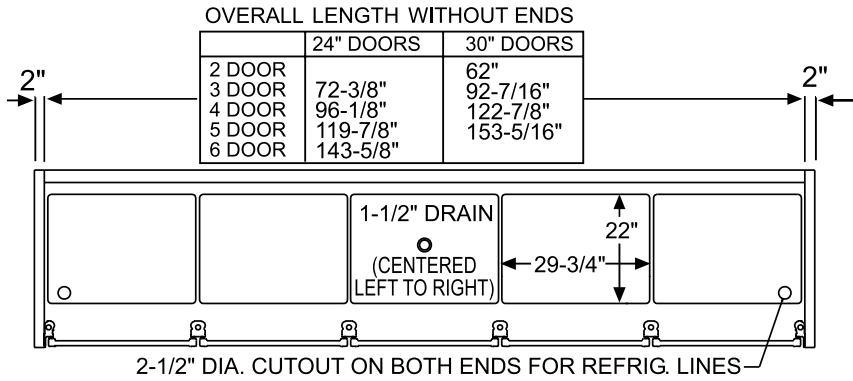
MODULES REQUIRED FOR 24" WIDE DOOR LINEUPS & BTU PERFORMANCE DATA

NO. OF DOORS	MODULES REQUIRED				TOTAL OVERALL LENGTH WITH ONE PAIR OF 2" ENDS	+20°F SUCTION MIN. BTUs (75°F STORE, 55% RH, +35°F AVERAGE PRODUCT TEMP.)	-11°F SUCTION MIN. BTUs (75°F STORE, 55% RH, -3°F AVERAGE PRODUCT TEMP.)	-18°F SUCTION MIN. BTUs (75°F STORE, 55% RH, -12°F AVERAGE PRODUCT TEMP.)
	3 DOOR	4 DOOR	5 DOOR	6 DOOR				
3	1				76 ³ / ₈ "	3750	4750	5125
4		1			100 ¹ / ₈ "	4600	6150	6550
5			1		123 ⁷ / ₈ "	5750	7625	8300
6				1	147 ⁵ / ₈ "	6900	9150	9960
7	1	1			172 ¹ / ₂ "	8050	10,675	11,620
8		2			196 ¹ / ₄ "	9200	12,200	13,280
9		1	1		220"	10,350	13,725	14,940
10			2		243 ³ / ₄ "	11,500	15,250	16,600
11			1	1	267 ¹ / ₂ "	12,650	16,775	18,260
12				2	291 ¹ / ₄ "	13,800	18,300	19,920
13		2	1		316 ¹ / ₈ "	14,950	19,825	21,580
14		2		1	339 ⁷ / ₈ "	16,100	21,350	23,240
15			3		363 ⁵ / ₈ "	17,250	22,875	24,900
16		4			388 ¹ / ₂ "	18,400	24,400	26,560
17			1	2	411 ¹ / ₈ "	19,550	25,925	28,220
18				3	434 ⁷ / ₈ "	20,700	27,450	29,880
19		1	3		459 ³ / ₄ "	21,850	28,975	31,540
20			4		483 ¹ / ₂ "	23,000	30,500	33,200
21	1			3	507 ¹ / ₄ "	24,150	32,025	34,860
22		1		3	531"	25,300	33,550	36,520
23			1	3	554 ³ / ₄ "	26,450	35,075	38,180
24				4	578 ¹ / ₂ "	27,600	36,600	39,840
25			5		603 ³ / ₈ "	28,750	38,125	41,500

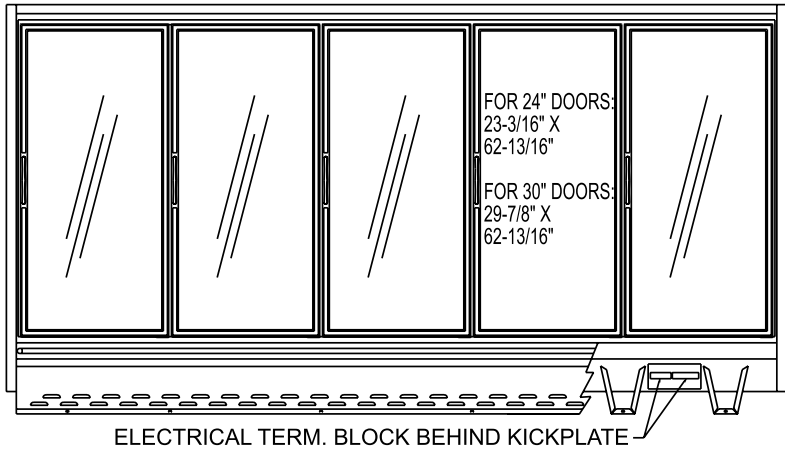
MODULES REQUIRED FOR 30" WIDE DOOR LINEUPS & BTU PERFORMANCE DATA

NO. OF DOORS	MODULES REQUIRED				TOTAL OVERALL LENGTH WITH ONE PAIR OF 2" ENDS	+20°F SUCTION MIN. BTUs (75°F STORE, 55% RH, +35°F AVERAGE PRODUCT TEMP.)	-11°F SUCTION MIN. BTUs (75°F STORE, 55% RH, -3°F AVERAGE PRODUCT TEMP.)	-18°F SUCTION MIN. BTUs (75°F STORE, 55% RH, -12°F AVERAGE PRODUCT TEMP.)
	2 DOOR	3 DOOR	4 DOOR	5 DOOR				
2	1				66"	2800	3300	3550
3		1			96 ¹ / ₂ "	3750	4750	5125
4			1		126 ⁷ / ₈ "	4600	6150	6550
5				1	157 ³ / ₈ "	5750	7625	8300
6		2			189"	6900	9150	9960
7	1			1	219 ³ / ₈ "	8050	10,675	11,620
8		1		1	249 ⁷ / ₈ "	9200	12,200	13,280
9			1	1	280 ¹ / ₄ "	10,350	13,725	14,940
10				2	310 ³ / ₄ "	11,500	15,250	16,600
11		2		1	342 ³ / ₈ "	12,650	16,775	18,260
12	1			2	372 ³ / ₄ "	13,800	18,300	19,920
13		1		2	403 ¹ / ₄ "	14,950	19,825	21,580
14			1	2	433 ⁵ / ₈ "	16,100	21,350	23,240
15				3	464 ¹ / ₈ "	17,250	22,875	24,900
16		2		2	495 ³ / ₄ "	18,400	24,400	26,560
17	1			3	526 ¹ / ₈ "	19,550	25,925	28,220
18		1		3	556 ⁵ / ₈ "	20,700	27,450	29,880
19			1	3	587"	21,850	28,975	31,540
20				4	617 ¹ / ₂ "	23,000	30,500	33,200
21		2		3	649 ¹ / ₈ "	24,150	32,025	34,860
22	1			4	679 ¹ / ₂ "	25,300	33,550	36,520
23		1		4	710"	26,450	35,075	38,180
24			1	4	740 ³ / ₈ "	27,600	36,600	39,840
25				5	770 ⁷ / ₈ "	28,750	38,125	41,500

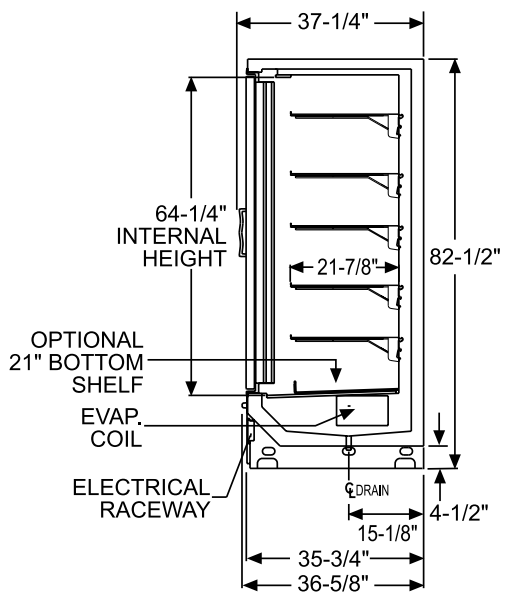
TECHNICAL DRAWINGS



PLAN VIEW



ELEVATION VIEW



SIDE VIEW



BEM/BEL SERIES

ENDLESS REMOTE GLASS DOOR MERCHANDISERS
WITH BOTTOM MOUNTED COIL

REQUIRED CONDENSING UNITS

Use this chart to determine the correct condensing unit for your endless lineup.

Unless already indicated, add suffix "B" for one phase or "C" for three phase model.

NO. OF DOORS	+35°F AVERAGE PRODUCT TEMP. +20°F SUCTION 75°F AIR CONDITIONED STORE 55% RELATIVE HUMIDITY			-3°F AVERAGE PRODUCT TEMP. -11°F SUCTION 75°F AIR CONDITIONED STORE 55% RELATIVE HUMIDITY			-12°F AVERAGE PRODUCT TEMP. -18°F SUCTION 75°F AIR CONDITIONED STORE 55% RELATIVE HUMIDITY		
	COND. UNIT REQUIRED FOR AIR TEMP. ENTERING CONDENSER*			COND. UNIT REQUIRED FOR AIR TEMP. ENTERING CONDENSER*			COND. UNIT REQUIRED FOR AIR TEMP. ENTERING CONDENSER*		
	90°F	100°F	110°F	90°F	100°F	110°F	90°F	100°F	110°F
2	MHHX0061B	MHHX0061B	MHHX0061B	MHLZ0071	MHLZ0071	MHLZ0071	MHLZ0091	MHLZ0091	MHLZ0091
3	MHHX0061B	MHHX0061B	MHHX0061B	MHLZ0071	MHLZ0091	MHLZ0091	MHLZ0091	MHLZ0121	MHLZ0121
4	MHHX0061B	MHHX0081B	MHHX0081B	MHLZ0091	MHLZ0091	MHLZ0121	MHLZ0121	MHLZ0121	MHLZ0121
5	MHHX0081B	MHHX0081B	MHHX0111	MHLZ0091	MHLZ0121	MHLZ0121	MHLZ0121	MCLZ0141	MCLZ0171
6	MHHX0111	MHHX0111	MHHX0111	MHLZ0121	MHLZ0121	MCLZ0141	MCLZ0141	MCLZ0171	MDLZ0201
7	MHHX0111	MHHX0111	MHHX0151	MHLZ0121	MCLZ0141	MCLZ0171	MCLZ0171	MDLZ0201	MDLZ0201
8	MHHX0151	MHHX0151	MHHX0151	MCLZ0141	MCLZ0171	MCLZ0171	MDLZ0201	MDLZ0201	MDLZ0231
9	MHHX0151	MHHX0151	MHHX0191	MCLZ0171	MCLZ0171	MDLZ0201	MDLZ0231	MDLZ0231	MDLZ0291
10	MHHX0151	MHHX0191	MHHX0191	MCLZ0171	MDLZ0201	MDLZ0231	MDLZ0231	MDLZ0291	MDLZ0291
11	MHHX0191	MHHX0191	MHHX0221	MDLZ0201	MDLZ0231	MDLZ0231	MDLZ0291	MDLZ0291	MDLZ0331
12	MHHX0191	MHHX0221	MHHX0221	MDLZ0231	MDLZ0231	MDLZ0291	MDLZ0291	MDLZ0291	MDLZ0331
13	MHHX0191	MHHX0221	MHHX0251	MDLZ0231	MDLZ0291	MDLZ0291	MDLZ0291	MDLZ0331	BCLZ0750
14	MHHX0221	MHHX0251	MHHX0251	MDLZ0291	MDLZ0291	MDLZ0291	MDLZ0331	BCLZ0750	BCLZ1000
15	MHHX0251	MHHX0251	MHHX0301	MDLZ0291	MDLZ0291	MDLZ0331	BCLZ0750	BCLZ0750	BCLZ1000
16	MHHX0251	MHHX0251	MHHX0301	MDLZ0291	MDLZ0331	BCLZ0750	BCLZ0750	BCLZ1000	BCLZ1000
17	MHHX0251	MHHX0301	MHHX0351	MDLZ0291	MDLZ0331	BCLZ0750	BCLZ1000	BCLZ1000	BCLZ1000
18	MHHX0301	MHHX0301	MHHX0351	MDLZ0331	BCLZ0750	BCLZ1000	BCLZ1000	BCLZ1000	BCLZ1000
19	MHHX0301	MHHX0351	MHHX0351	BCLZ0750	BCLZ0750	BCLZ1000	BCLZ1000	BCLZ1000	BCLZ1000
20	MHHX0301	MHHX0351	MHHX0441	BCLZ0750	BCLZ1000	BCLZ1000	BCLZ1000	BCLZ1000	BCLZ1500
21	MHHX0351	MHHX0351	MHHX0441	BCLZ0750	BCLZ1000	BCLZ1000	BCLZ1000	BCLZ1000	BCLZ1500
22	MHHX0351	MHHX0441	MHHX0441	BCLZ1000	BCLZ1000	BCLZ1000	BCLZ1000	BCLZ1500	BCLZ1500
23	MHHX0351	MHHX0441	MHHX0441	BCLZ1000	BCLZ1000	BCLZ1000	BCLZ1000	BCLZ1500	BCLZ1500
24	MHHX0441	MHHX0441	MHHX0441	BCLZ1000	BCLZ1000	BCLZ1000	BCLZ1500	BCLZ1500	BCLZ1500
25	MHHX0441	MHHX0441	MHHX0501	BCLZ1000	BCLZ1000	BCLZ1000	BCLZ1500	BCLZ1500	BCLZ1500

*Condensing unit and line size based on 100' line run.

See the Master-Bilt Condensing Unit & Refrigeration Systems I/O Manual for other conditions.

For other than high capacity condensing units, consult factory.

BID SPECIFICATIONS

Item no. BEM-_____ and/or BEL-_____.

Provide _____ () Endless Remote Glass Door Merchandisers - Bottom Mounted model no. BEM-_____ and/or BEL-_____.

Merchandiser to be constructed of white painted galvanized steel with 2" foamed-in-place "zero ODP" urethane insulation. Merchandiser designed to be used as either a stand-alone unit or combined in a modular endless design.

Merchandiser to be provided with vertical electronic lighting with T-8 lamps, a large vinyl cart bumper rail and a pre-piped drain.

Standard shelving will be

cantilever white epoxy-coated welded wire with price tag molding. Five shelves per door will be provided.

Joining kits are supplied for linking together multi-door modules. Merchandiser also to contain pre-wired cabinet-to-cabinet electrical terminal block connectors.

Glass doors will be supplied with self-closing door hinge and easy provision for easy adjustment of torsion and leveling. Merchandiser supplied with either 24" or 30" wide glass doors. Door and frame provided in standard black finish with optional colors available.

The refrigeration system will be

remote and will contain a full-length heavy-duty copper tube evaporator coil and pre-mounted expansion valve. There will also be a choice of electric or hot gas defrost. Additionally, merchandiser will be supplied with an oversized raceway for ease of refrigeration piping. BEM models will use R-22 refrigerant while BEL models will use R-404A.

Temperature ranges will be:

- BEM models: 34° to 41°F (1° to 5°C)
- BEL models: 0° to -15°F (18° to -26°C)

Merchandiser to be provided with one year limited parts warranty.

NOTE: Cabinet designed for optimum performance in air-conditioned area at 75°F ambient and 55% relative humidity. All specifications subject to change without notice.

MIB MASTER-BILT
Refrigeration Solutions

908 Highway 15 North • New Albany, MS 38652
PHONE: 800-647-1284 or 662-534-9061 • FAX: 800-232-3966 or 662-534-6049 • www.master-bilt.com

Standex
Food Service Equipment Group

Free Manuals Download Website

<http://myh66.com>

<http://usermanuals.us>

<http://www.somanuals.com>

<http://www.4manuals.cc>

<http://www.manual-lib.com>

<http://www.404manual.com>

<http://www.luxmanual.com>

<http://aubethermostatmanual.com>

Golf course search by state

<http://golfingnear.com>

Email search by domain

<http://emailbydomain.com>

Auto manuals search

<http://auto.somanuals.com>

TV manuals search

<http://tv.somanuals.com>