



TMG-74

TMG SERIES

Top Mounted Medium Temp Glass Door Merchandisers

MODELS

- TMG-27
- TMG-48
- TMG-52
- TMG-74
- TMG-80

FEATURES

CONSTRUCTION

- 24 gauge painted steel interior and exterior
- Cord and plug standard on all self-contained models
- Replaceable magnetic vinyl door gaskets
- 6"-7" adjustable metal legs
- Five white epoxy-coated, heavy-duty welded wire shelves with price tag molding per door (four cantilever and one bottom)
- Cantilever shelves are two-position and adjustable in 1" increments
- Equipped with high output 800 milliamp lamps and ballasts
- Independent on/off light switch
- 2" foamed-in-place "zero ODP" urethane insulation

FINISH

- Sparkling white polyester enamel interior and exterior

DOORS

- Door size:
 TMG-27 30" x 63"
 TMG-48/74 25¹/₈" x 63"
 TMG-52/80 27¹/₈" x 63"
- Extra large, auto-close, double pane, safety glass doors
- Black door rails and handles
- Adjustable torsion bar hinges
- 90° hold-open feature
- Door hinges easily adjustable for closing tension and leveling

REFRIGERATION

- Refrigerant: R-134a
- Self-contained, factory tested, top mounted refrigeration system
- Top mounted low profile interior fan housing
- Electric condensate evaporator
- Temperature range:
 34° to 41°F (1° to 5°C)
- R-factor (insulation efficiency rating): 17.24

WARRANTY

- Standard limited four year extended compressor and one year limited parts and labor

OPTIONS

- Add suffix "R" for remote system (available on TMG-48 and TMG-74 only)
- Add suffix "QC" for quick couple system
- Custom exterior colors
- Baskets
- Additional shelves
- Casters



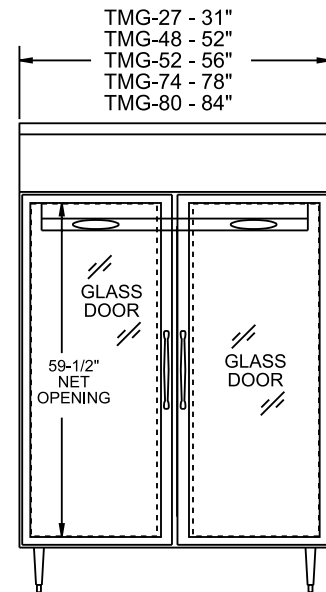
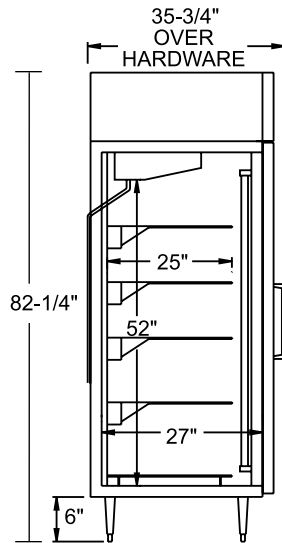
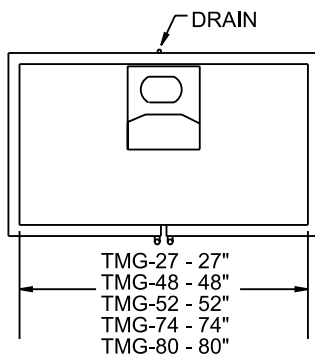
TMG SERIES

TOP MOUNTED MEDIUM TEMP GLASS DOOR MERCHANDISERS

TECHNICAL SPECIFICATIONS

| MODEL | DIMENSIONS (in.) | | | DIMENSIONS (mm) | | | VOLTS | AMPS | UNIT H.P. | NO. OF DOORS | CAP. CU. FT. | SHIP CU. FT. | SHIP WT. LB/KG |
|--------|------------------|--------------------------------|----|-----------------|-----|------|-------|------|-----------|--------------|--------------|--------------|----------------|
| | L | D | H* | L | D | H | | | | | | | |
| TMG-27 | 31 | 35 ³ / ₄ | 85 | 787 | 908 | 2159 | 115 | 8.0 | 1/3 | 1 | 27.5 | 79.0 | 490/223 |
| TMG-48 | 52 | 35 ³ / ₄ | 85 | 1321 | 908 | 2159 | 115 | 8.0 | 1/3 | 2 | 49.0 | 117.0 | 685/311 |
| TMG-52 | 56 | 35 ³ / ₄ | 85 | 1422 | 908 | 2159 | 115 | 8.0 | 1/3 | 2 | 53.0 | 128.0 | 700/318 |
| TMG-74 | 78 | 35 ³ / ₄ | 85 | 1981 | 908 | 2159 | 115 | 12.0 | 1/2 | 3 | 75.5 | 168.7 | 930/423 |
| TMG-80 | 84 | 35 ³ / ₄ | 85 | 2134 | 908 | 2159 | 115 | 12.0 | 1/2 | 3 | 81.6 | 185.0 | 960/436 |

*Height includes 6"-7" adjustable legs.

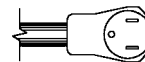


LISTINGS

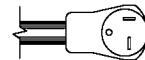


HOOKUP

Via plug in, 9 foot long flexible three wire 14/3 cord with molded plug.



NEMA 5-15P (TMG-27, -48 and -52)



NEMA 5-20P (TMG-74 and -80)

BID SPECIFICATIONS

Item no. TMG-_____ Provide _____ () Top Mounted Medium Temperature Glass Door Merchandiser(s), Master-Bilt model no. TMG-_____.

Merchandiser to be provided with adjustable torsion bar hinges, top mounted low profile interior fan housing, electric

condensate evaporator, metal legs with 6"-7" adjustable range, 800 milliamp bulbs, independent on/off light switch and black door rails and handles. Merchandiser to also have five white epoxy-coated shelves (four cantilever and one bottom) with price tag molding per door.

The refrigeration system is to be top

mounted, self-contained and use R-134a refrigerant. The temperature range will be 34° to 41°F (1° to 5°C).

Merchandiser to have standard limited four year extended compressor warranty and one year limited parts and labor warranty. Merchandiser to be UL, C-UL and NSF listed.

NOTE: Cabinet designed for optimum performance in air-conditioned area at 75°F ambient and 55% relative humidity. All specifications subject to change without notice.



908 Highway 15 North • New Albany, MS 38652
PHONE: 800-647-1284 or 662-534-9061 • FAX: 800-232-3966 or 662-534-6049 • www.master-bilt.com



Free Manuals Download Website

<http://myh66.com>

<http://usermanuals.us>

<http://www.somanuals.com>

<http://www.4manuals.cc>

<http://www.manual-lib.com>

<http://www.404manual.com>

<http://www.luxmanual.com>

<http://aubethermostatmanual.com>

Golf course search by state

<http://golfingnear.com>

Email search by domain

<http://emailbydomain.com>

Auto manuals search

<http://auto.somanuals.com>

TV manuals search

<http://tv.somanuals.com>