



# 22" Kettle Charcoal Grill

SAFE USE, CARE AND ASSEMBLY MANUAL

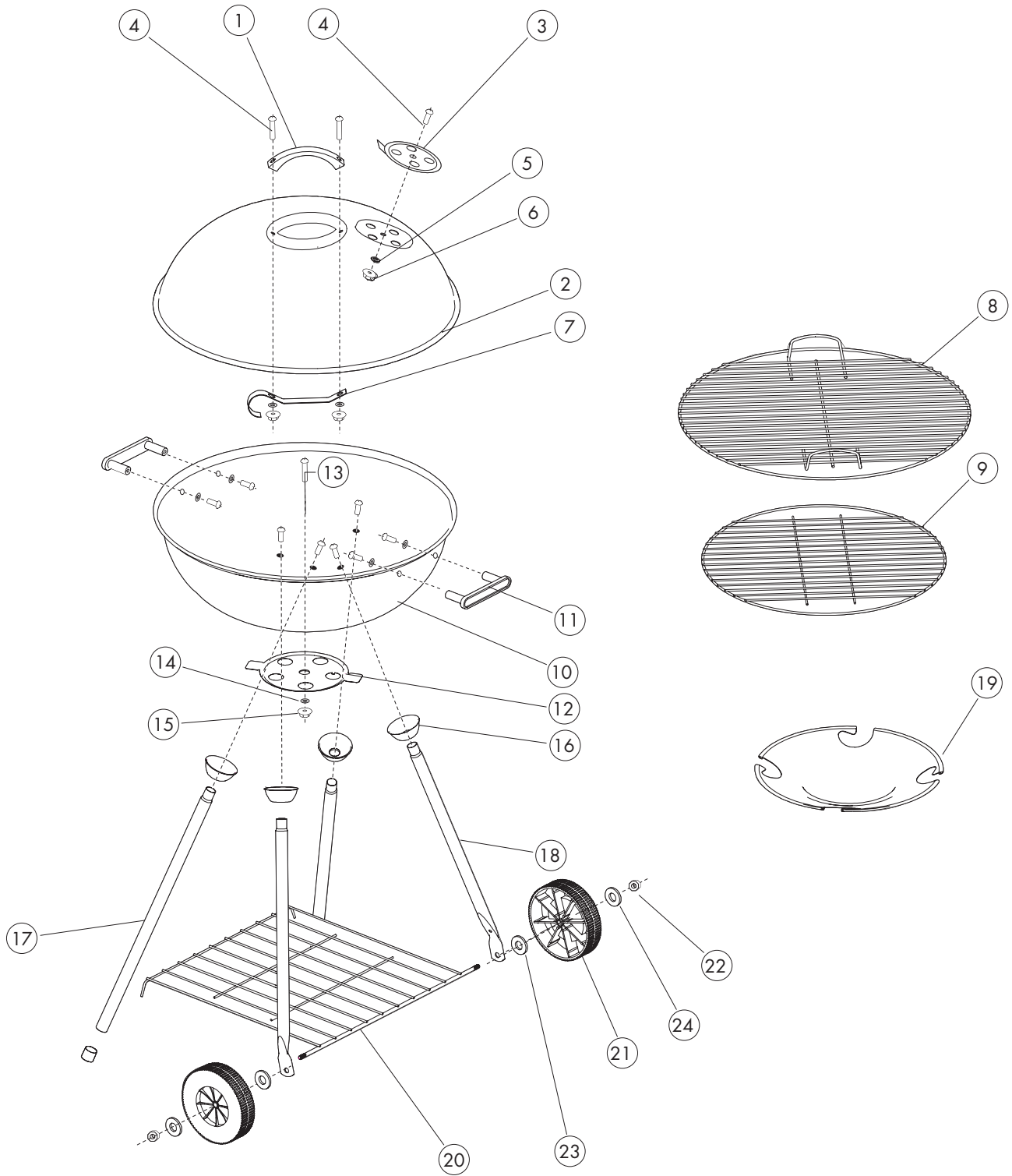
---



85 - 1448 - 8  
ST22022D

**Read and save this manual for future reference.  
If pre-assembled, leave this manual with unit for consumer's future reference.**

**For product inquires, parts, and warranty and troubleshooting support, please call 1-877-707-5463.**



---

**PARTS LIST**

<b>Item No.</b>	<b>Quantity</b>	<b>Description</b>
1	1	Handle, Lid (flat connector-screws and washers attached)
2	1	Lid
3	1	Air Vent, Lid
4	1	Air Vent Screw
5	1	Air Vent washer
6	1	Air Vent Nut
7	1	Lid Hanging Hook
8	1	Grill
9	1	Grate
10	1	Fire Bowl
11	2	Handles, Fire Bowl (angled connector-screws and washers attached)
12	1	Ash Shutter, Fire Bowl
13	1	Ash Shutter Screw
14	1	Ash Shutter washer
15	1	Ash Shutter Nut
16	4	Leg Holders
17	2	Long Legs (screw and washer attached)
18	2	Short Legs (screw and washer attached)
19	1	Ash Tray
20	1	Wire Shelf
21	2	Wheels
22	2	Wheel, Cap Nut ( black plastic)
23	2	Wheel Spacer (plastic)
24	2	Wheel Washer

## ASSEMBLY INSTRUCTIONS

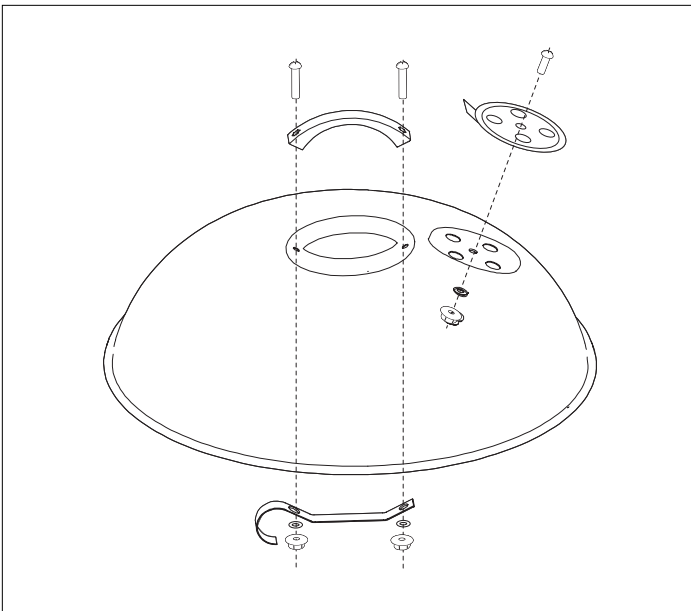
### Tools Needed

- 5/16" open-ended wrench
- Slotted screwdriver
- Pliers
- ! Screwdriver

### Pre-Assembly Check List

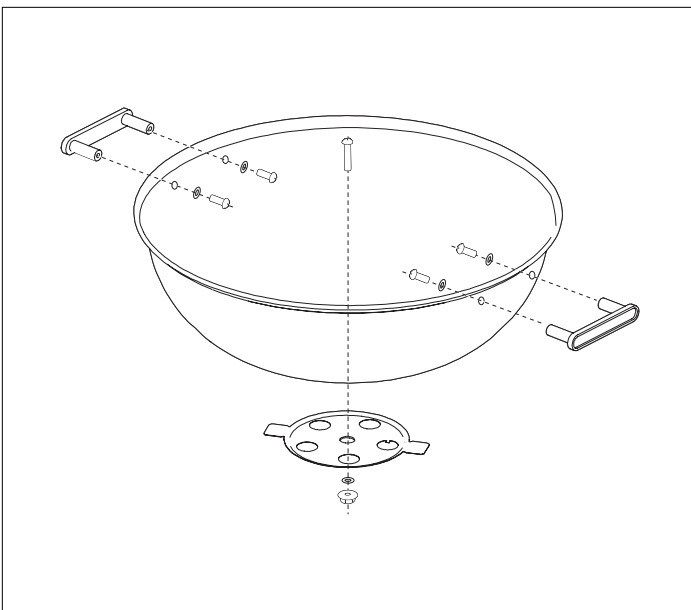
1. To ensure fast and easy assembly, follow the instructions below in their proper sequence.
2. Check all parts carefully and compare them to the parts listing.
3. Report any missing parts to the retailer from which you purchased this product.

**Warning:** Great care has been taken during production to remove sharp edges but you should handle all components with care to avoid possible injury.



# 1

Install lid handle (1) and Lid hanging hook (7) at the same time to the Lid (2) using the screws and washers already attached to the lid handle.



# 2

Install air vent (3) to Lid using Screw (4), washer (5) and Nut (6). Install two fire bowl handles (11) to fire bowl (10) using screws, and washers already attached to handles.

# 3

Insert leg holder (16) on the short legs (18) and long legs (17), and attach them to the bottom of the fire bowl (10), one by one, using the screws and washers already attached to each leg. Tighten with fingers only until all legs have been assembled.

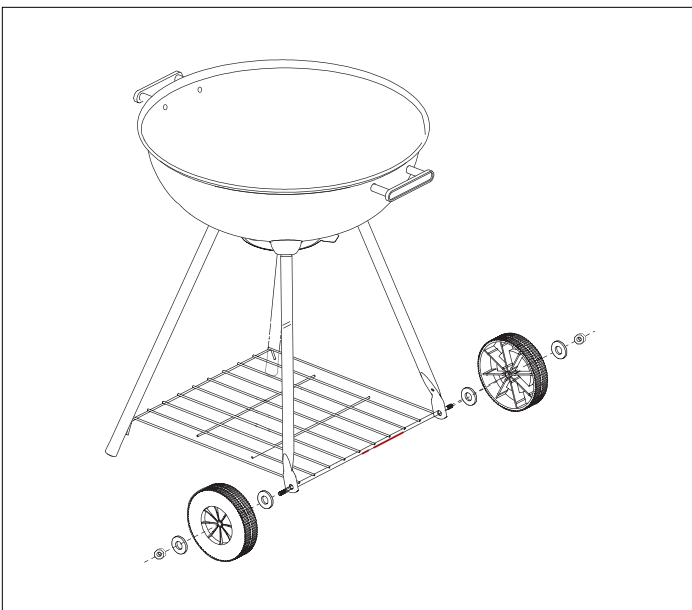
**Note:** One handle should be located between the two long legs and the other handle should be located between the two short legs.

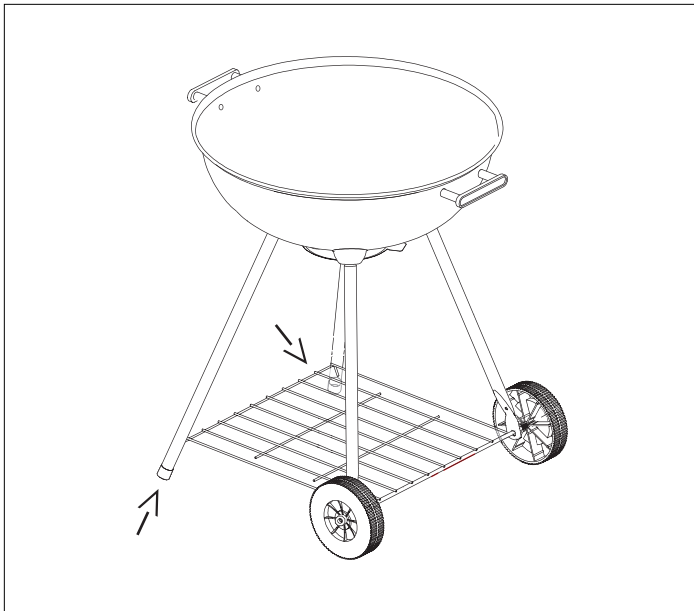
# 4

Insert the wire shelf (20) into leg ends. The bent tip goes into the holes on the long legs first. Then, align and insert the other ends into the two short legs (make sure that hole closest to the end of the leg faces outward).

# 5

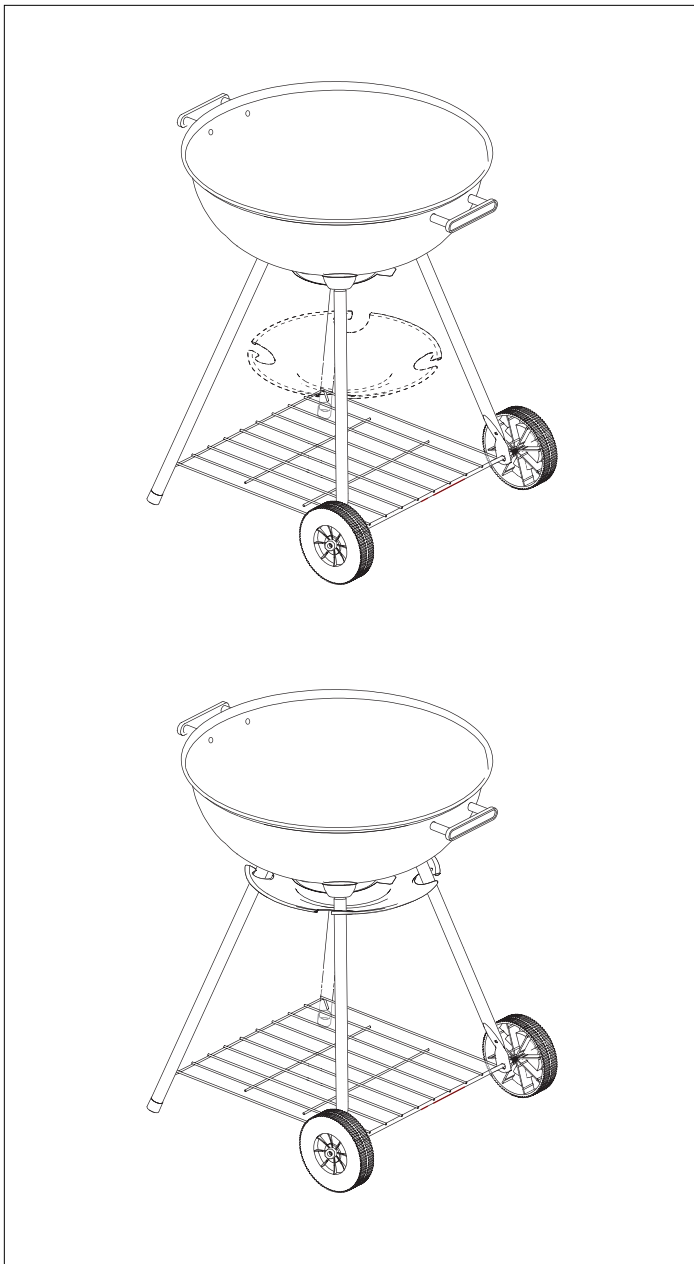
Insert spacer (23), wheel (21), and washer (24) and secure with cap nut (22) on both sides.





# 6

Tighten all screws to ensure unit is secure before turning upright.



# 7

Install ash tray (19) by aligning slots with legs and rotating to lock in place.



# 8

Place small grate (9) into fire bowl and grill (8) onto top of fire bowl.

## WARNING

**As with any round smoker, care must be taken to prevent heat damage to anything around or under the grill. To avoid damaging the grill, do not use water on barbecue while hot. Close all vents to extinguish coals. To avoid injury, handle the grill and all its components with care.**

## WARNINGS

- Improper assembly may be dangerous. Please follow all the assembly instructions in this manual.
- Combustible materials should never be within 24" (50 cm) of the top, bottom, back or sides of the barbecue.
- **Do not** put a barbecue cover or anything flammable on or in the storage area under the barbecue.
- Never lean over the barbecue when lighting.
- Barbecue should be cleaned on a regular basis.
- **Do not** use gasoline, liquid fire starter or alcohol on the charcoal at any time. **Do not** use any form of self-lighting charcoal at any time.
- Infants, children and pets should never be left unattended near the barbecue.
- Make sure ash-catcher is in place when using the barbecue.
- Always put charcoal on top of the lower (charcoal) grate. **Do not** put charcoal directly in the bottom of the bowl.
- Remove ashes from the ash catcher only after all coals have been fully extinguished. **Never** touch grates (either charcoal or cooking), ashes, or coals to see if they're hot.
- **Do not** use water to control flare-ups or extinguish coals, as it may damage the porcelain finish; slightly close bottom air vents (dampers) and use the lid. To extinguish coals when finished cooking, close all vents (dampers) after putting lid on the bowl.
- Barbecue mitts should always be worn while cooking, adjusting air vents (dampers), adding charcoal, and handling the thermometer or lid.

- Never dump hot coals where they might be stepped on or be a fire hazard. Never dump ashes or coals before they are fully extinguished. **Do not** store barbecue until ashes and coals are fully extinguished.
- You should exercise care when operating your barbecue. It will be hot during cooking and/or heating-up, and should never be left unattended.

## WARNING

**This barbecue is for outdoor use only.  
Use only in a well-ventilated area. Do not use in a garage,  
building, or any other enclosed area.**

Minimum clearance to adjacent combustible materials:

- 76 cm (30") from furthest protruding edge on side of barbecue.
- 76 cm (30") from furthest protruding edge on back of barbecue.
- Always keep the area around this barbecue clean and clear of any and all combustible materials such as gasoline or other inflammable liquids, paper or oily rags.
- **Do not** operate this barbecue under any overhanging or unprotected construction.
- Remember this barbecue is for **outdoor use only** and is **not** for use on any boat or recreational vehicle.
- Use this barbecue outdoors in a well-ventilated area and we recommend at least 3m (10') from any dwelling or other buildings.
- The entire barbecue gets hot when in use. **Do not** leave unattended.
- **Do not** use in garages, or any other enclosed area.
- **Do not** leave your barbecue unattended while in operation.
- **Do not** obstruct the flow of combustion and ventilation air to the barbecue.
- **Do not** use while under the influence of drugs or alcohol.
- **Do not** allow children or pets to play anywhere near the barbecue.

---

## DISTRIBUTOR

Trileaf Distribution Trifeuil  
Toronto, Canada  
M4S 2B8





## Free Manuals Download Website

<http://myh66.com>

<http://usermanuals.us>

<http://www.somanuals.com>

<http://www.4manuals.cc>

<http://www.manual-lib.com>

<http://www.404manual.com>

<http://www.luxmanual.com>

<http://aubethermostatmanual.com>

Golf course search by state

<http://golfingnear.com>

Email search by domain

<http://emailbydomain.com>

Auto manuals search

<http://auto.somanuals.com>

TV manuals search

<http://tv.somanuals.com>