

Matrox MXO

Installation and User Guide

January 31, 2007



Y10969-201-0120

Trademarks

Matrox Electronic Systems Ltd.	Matrox [®] , MXO [™]
Adobe Systems Inc.....	Adobe [®] , After Effects [®] , Photoshop [®]
Apple Computer, Inc.	Apple [®] , QuickTime [®] , Mac OS [®] , Final Cut Pro [®] , Keynote [™]
Autodesk, Inc.	Autodesk [®] , Combustion [®]
Microsoft Corporation.....	PowerPoint [®]
Panasonic (Matsushita Electric Industrial Co.).....	Panasonic [®] , DVCPRO HD [™]
Sony Corporation	Sony [®] , Betacam [™] , DVCAM [™] , HDV [™]
Victor Company of Japan Limited (JVC).	JVC [™] , HDV [™]

All other nationally and internationally recognized trademarks and tradenames are hereby acknowledged.

Copyright © 2007 Matrox Electronic Systems Ltd. • All rights reserved.

Disclaimer Matrox Electronic Systems Ltd. reserves the right to make changes in specifications at any time and without notice. The information provided by this document is believed to be accurate and reliable. However, no responsibility is assumed by Matrox Electronic Systems Ltd. for its use; nor for any infringements of patents or other rights of third parties resulting from its use. No license is granted under any patents or patent rights of Matrox Electronic Systems Ltd.

Unauthorized recording or use of broadcast television programming, video tape, or other copyrighted material may violate copyright laws. Matrox Electronic Systems Ltd. assumes no responsibility for the illegal duplication, use, or other acts that infringe on the rights of copyright owners.

Matrox Electronic Systems Ltd.

1055 St. Regis Blvd., Dorval, Quebec, Canada H9P 2T4

Tel: (514) 685-2630 Fax: (514) 685-2853 World Wide Web: www.matrox.com

Matrox MXO License Agreement, Warranty, and Service

A. Matrox software license agreement for single-user products

By installing the software, you, the original purchaser, indicate your acceptance of these terms. If you do not agree to the terms of this agreement, please return the package unopened.

This Matrox MXO software, any included sample images and other files (the "Software"), is copyrighted by Matrox Electronic Systems Ltd. All rights are reserved. You are granted a license to use the Software only, subject to the following restrictions and limitations:

- 1 The license is to you the original purchaser only, and is not transferable without written permission of Matrox.
- 2 You may install the Software on an unlimited number of computers owned or leased by you in any location. However, you must use the Software on a single computer owned or leased by you at a time in conjunction for the purpose of operating the Matrox MXO hardware.
- 3 For the purposes of clarity, notwithstanding the fact that you may install the Software on more than one computer owned or leased by you, you may not use the Software on more than a single machine at a time, even if you own or lease more than one machine, without the express written consent of Matrox.
- 4 You may make back-up copies of the Software for your own use only, subject to the use limitations of this license.
- 5 You may not engage in, nor permit third parties to engage in, any of the following:
 - a Providing or disclosing the Software to third parties.
 - b Providing use of the Software in a computer service business, network, time-sharing, multiple CPU, or multi user arrangement to users who are not individually licensed by Matrox.
 - c Making alterations or copies of any kind in the Software (except as specifically permitted above).
 - d Attempting to disassemble, decompile, or reverse-engineer the Software in any way.
 - e Granting sublicenses, leases, or other rights in the Software to others.
 - f Making copies, or verbal or media translations of the user's guide.
 - g Making telecommunication data transmissions of the Software.

Matrox reserves the right to terminate this license without prejudice to any additional recourses Matrox may have against you if you violate any of its terms and conditions.

B. Software limited warranty

MATROX WARRANTS TO YOU, THE ORIGINAL PURCHASER, WHO PROVIDES AN ADEQUATE PROOF OF PURCHASE, THAT THE MEDIA ON WHICH THE SOFTWARE IS RECORDED IS FREE FROM DEFECTS IN MATERIALS AND WORKMANSHIP UNDER NORMAL USE, AND THAT THE SOFTWARE WILL PERFORM SUBSTANTIALLY AS DESCRIBED IN THE RELATED DOCUMENTATION PROVIDED BY MATROX FOR A PERIOD OF NINETY (90) DAYS FROM THE DATE OF PURCHASE.

MATROX PROVIDES YOU THE SOFTWARE AND RELATED DOCUMENTATION ON AN "AS IS" BASIS WITHOUT ANY WARRANTY OF ANY KIND, EITHER EXPRESSED OR IMPLIED, INCLUDING BUT NOT LIMITED TO ANY IMPLIED WARRANTY OF MERCHANTABILITY, NON-INFRINGEMENT OR FITNESS FOR A PARTICULAR PURPOSE AS WELL AS THE WARRANTY AGAINST HIDDEN OR LATENT DEFECTS, ALL OF WHICH MATROX SPECIFICALLY DISCLAIMS (AND YOU, THE ORIGINAL PURCHASER, BY ACCEPTING THE PRODUCT, SPECIFICALLY ACCEPTS SUCH DISCLAIMER AND WAIVER) TO THE MAXIMUM EXTENT PERMITTED BY LAW. THE ENTIRE RISK AS TO THE RESULTS AND PERFORMANCE OF THE SOFTWARE IS ASSUMED BY YOU. SHOULD THE SOFTWARE PROVE DEFECTIVE, YOU (AND NOT MATROX, ITS DISTRIBUTORS OR DEALERS) ASSUME THE ENTIRE COST OF ALL NECESSARY SERVICING, REPAIR OR CORRECTION.

MATROX DOES NOT WARRANT THAT THE OPERATION OF THE SOFTWARE WILL BE UNINTERRUPTED OR ERROR-FREE, THAT DEFECTS IN THE SOFTWARE WILL BE CORRECTED, OR THAT THE SOFTWARE WILL MEET YOUR REQUIREMENTS OR PERFORM WITH ANY HARDWARE OR SOFTWARE PROVIDED BY THIRD PARTIES.

C. End-user registration

Before using your Matrox MXO product, please take a moment to register your product in the Matrox MXO Support section of our web site at www.matrox.com/video/support. The information you provide will assist Matrox to quickly diagnose and correct any problem that might arise when using the product. **Only registered end users are entitled to customer support.**

D. Hardware limited warranty

MATROX WARRANTS TO YOU, THE ORIGINAL PURCHASER, WHO PROVIDES AN ADEQUATE PROOF OF PURCHASE, THAT THE MATROX MXO HARDWARE PRODUCTS WILL BE FREE FROM FACTORY DEFECTS FOR A PERIOD OF ONE (1) YEAR FROM THE DATE OF PURCHASE. MATROX WILL REPAIR OR REPLACE, AT THE CHOICE OF MATROX, THE MATROX MXO HARDWARE PRODUCTS WHICH PROVE TO BE DEFECTIVE DURING THE WARRANTY PERIOD, PROVIDED THAT THEY ARE RETURNED TO MATROX, SUBJECT TO THE FOLLOWING LIMITATIONS:

Matrox's limited warranty covers only those defects which arise as a result of normal use of the hardware and does not apply to any:

- improper or inadequate maintenance;
- incompatibilities due to the user's hardware or software applications with or in which the Matrox product interfaces;
- product of a special or custom-made nature;
- unauthorized modification or misuse;
- improper installation, misapplication or negligence;
- operation outside the product's environmental specifications;
- improper site preparation or maintenance;
- software;
- other causes that do not relate to a product defect;
- defects or damage suffered as a result of force majeure (including theft);
- defects or damage suffered as a result of normal wear and tear, and/or stolen goods.

If Matrox receives from you, during the applicable warranty period notice of a defect in a warranted hardware product and the defective Matrox product in question, Matrox shall at its sole option, either repair or replace the product, and shall return the repaired product or a replacement product within a reasonable delay. The replacement product may not be new, provided that it has functionality at least equal to that of the product being replaced. This warranty is valid in any country where Matrox hardware products are distributed by Matrox or its authorized dealers.

This limited warranty statement gives you specific legal rights. You may also have other rights which vary from state to state in the United States, from province to province in Canada, and from country to country elsewhere in the world.

E. Limitations of warranty

EXCEPT FOR THE SOFTWARE LIMITED WARRANTY AND HARDWARE LIMITED WARRANTY STATEMENTS, NEITHER MATROX NOR ANY OF ITS THIRD PARTY SUPPLIERS MAKES ANY OTHER WARRANTY OF ANY KIND, WHETHER EXPRESSED OR IMPLIED, WITH RESPECT TO MATROX PRODUCTS. MATROX SPECIFICALLY DISCLAIMS (AND YOU, BY ACCEPTING THE MATROX PRODUCT, SPECIFICALLY ACCEPTS SUCH DISCLAIMER AND WAIVES) ALL OTHER WARRANTIES, EITHER EXPRESSED OR IMPLIED, INCLUDING BUT NOT LIMITED TO THE IMPLIED WARRANTIES OF MERCHANTABILITY AND FITNESS FOR A PARTICULAR OR INTENDED PURPOSE OR USE AND THE WARRANTY AGAINST LATENT DEFECTS, WITH RESPECT TO THE HARDWARE AND/OR SOFTWARE. MATROX FURTHER DISCLAIMS ANY WARRANTY THAT MATROX PRODUCTS, IN WHOLE OR IN PART, WILL BE FREE FROM INFRINGEMENT OF ANY THIRD PARTY INTELLECTUAL PROPERTY OR PROPRIETARY RIGHTS.

TO THE EXTENT THAT THESE LIMITED WARRANTY STATEMENTS ARE INCONSISTENT WITH THE LAW OF THE LOCALITY WHERE YOU PURCHASED THE MATROX PRODUCT, THESE LIMITED WARRANTY STATEMENTS SHALL BE DEEMED MODIFIED TO BE CONSISTENT WITH SUCH LOCAL LAW. UNDER SUCH LOCAL LAW, CERTAIN LIMITATIONS OF THESE LIMITED WARRANTY STATEMENTS MAY NOT APPLY TO YOU.

TO THE EXTENT ALLOWED BY LOCAL LAW, THE REMEDIES PROVIDED IN THESE LIMITED WARRANTY STATEMENTS ARE YOUR SOLE AND EXCLUSIVE REMEDIES.

F. Limitations of liability

EXCEPT FOR THE OBLIGATIONS SPECIFICALLY SET FORTH IN THE SOFTWARE LIMITED WARRANTY AND HARDWARE LIMITED WARRANTY STATEMENTS, IN NO EVENT SHALL MATROX BE LIABLE FOR ANY DIRECT, INDIRECT, SPECIAL, INCIDENTAL, CONSEQUENTIAL, FORESEEABLE OR UNFORESEEABLE, OR PUNITIVE DAMAGES, WHETHER BASED ON CONTRACT, TORT, DELICT OR ANY OTHER LEGAL THEORY AND WHETHER ADVISED OF THE POSSIBILITY OF SUCH DAMAGES, AND/OR DAMAGES ARISING FROM THE LOSS OF USE, DATA, PRODUCTION REVENUE AND/OR PROFIT OF IN CONNECTION WITH THE MATROX PRODUCT OR ANY BUSINESS INTERRUPTION. WITHOUT PREJUDICE TO THE FOREGOING, ANY LIABILITY OF MATROX FOR ANY BREACH OF WARRANTY SHALL BE LIMITED TO THE AMOUNT PAID BY YOU FOR THE DEFECTIVE HARDWARE IN QUESTION.

TO THE EXTENT ALLOWED BY LOCAL LAW, MATROX'S ENTIRE LIABILITY AND YOUR EXCLUSIVE REMEDY SHALL BE THE REPAIR OR REPLACEMENT OF ANY DEFECTIVE PRODUCT DURING THE WARRANTY PERIOD. MATROX DOES NOT OFFER ANY OTHER WARRANTY WITH RESPECT TO MATROX HARDWARE OR SOFTWARE OR ANY OTHER HARDWARE OR SOFTWARE.

YOU SHALL BE RESPONSIBLE FOR ALL APPLICABLE TAXES, DUTIES AND CUSTOMS FEES ON ANY REPLACEMENT UNIT, AS WELL AS ALL TRANSPORT, INSURANCE, STORAGE AND OTHER CHARGES INCURRED ON ALL RETURNED PRODUCTS.

G. Indemnification disclaimer

Matrox disclaims and shall have no obligation to indemnify or defend you or any third party in respect of any actual or alleged infringement of any actual or pending patents, copyright or other intellectual property rights. Matrox shall have no liability arising out of any such actual or alleged intellectual property infringement.

MATROX SPECIFICALLY MAKES NO REPRESENTATION AND DISCLAIMS ALL EXPRESS OR IMPLIED WARRANTIES OF MERCHANTABILITY, FITNESS FOR A PARTICULAR PURPOSE AND NONINFRINGEMENT.

H. Procedure for returning goods

No returned goods, for service or otherwise, will be accepted without prior authorization from Matrox. To obtain return authorization, contact Matrox MXO Customer Support (see [page 32](#)). Once approved, Matrox will contact you with your Returned Merchandise Authorization (RMA) number. Matrox cannot be responsible for units returned without an RMA number. Matrox will advise you of the shipping address. The packaging must indicate the RMA number on the outside. It is strongly recommended that a copy of the original packing slip which states the serial number of the items you're returning be included with the returned merchandise. This will speed up processing.

Each individual, returned unit or group of units **MUST** have an RMA number issued by Matrox. Matrox must authorize the number of units grouped under one RMA number. Any units received without prior approval by Matrox will be returned to you freight collect.

You shall be responsible for the cost of consolidated freight (one way only) for warranty units from your location to the location designated by Matrox. Once repaired, Matrox will incur the cost of consolidated freight for warranty units to your location.

Contents

Chapter 1

Introducing Matrox MXO

Welcome to Matrox MXO.....	2
Matrox MXO key features.....	2
Matrox MXO operation modes.....	2
Supported video output standards.....	3
Hardware supplied for Matrox MXO.....	3
Matrox MXO system requirements.....	4
Check our website for equipment information.....	4
About this manual.....	4
Style conventions.....	4
Last-minute information.....	4

Chapter 2

Connecting External Devices to Matrox MXO

MXO connections.....	6
Available MXO connections.....	6
Connecting your MXO to your Mac system.....	6
Typical Matrox MXO connections.....	8
Analog component connections.....	9
S-Video connections.....	10
Composite connections.....	11
SDI connections.....	12

Chapter 3

Installing Your Matrox MXO Software and Configuring Your System

Installing your Matrox MXO software.....	14
Removing your Matrox MXO software.....	14
Calibrating your secondary display.....	14
Defining your settings in the MXO Preference pane.....	15
Specifying your Mastering mode settings.....	15
Specifying your Presentation mode settings.....	17
Specifying your General settings.....	19
Viewing MXO information.....	21

Chapter 4**Using Matrox MXO with Final Cut Pro and Other Supported Programs**

Loading project presets for Final Cut Pro	24
Specifying your video and audio output device settings	24
Specifying settings for Final Cut Pro	24
Specifying settings for Adobe After Effects	25
Ensuring accurate printing to tape using Final Cut Pro	26

Appendix A**Matrox MXO Specifications**

Matrox MXO box specifications	28
General.....	28
Connections	28
Environmental specifications	29

Appendix B**Matrox MXO Customer Support**

How to get Matrox MXO Customer Support	32
Registration	32
Keep up to date with our website	32
Contacting us	32

Index	33
--------------------	-----------

1

Introducing Matrox MXO

This chapter outlines the features of Matrox MXO, describes the MXO operation modes, lists the contents of your kit, provides the MXO system requirements, and describes the available MXO documentation.

Welcome to Matrox MXO

Matrox MXO connects to your Mac computer or laptop to provide broadcast-quality audio/video output. You can view your Apple Final Cut Pro projects or the output of many other QuickTime-based applications without interlacing artifacts, and record them to tape at the same time. You can also use Matrox MXO to provide flicker-free recording of Keynote and PowerPoint presentations, web browser sessions, and software application training.

Matrox MXO key features

The following are key features of Matrox MXO:

- Frame-accurate broadcast-quality audio/video output in HD and SD.
- Portable, hot-swappable external box.
- Genlockable HD/SD SDI, HD/SD analog component, S-Video, and composite video outputs.
- Up to eight channels of embedded SDI audio output with stereo audio monitoring.
- Workflow enhancements for Final Cut Pro and other QuickTime-based applications such as:
 - Frame-accurate audio/video output for insert editing and printing to tape with guaranteed audio/video synchronization.
 - Interlacing artifact elimination and gamma correction when previewing video on a secondary DVI display.
 - Hardware-accelerated output of DVCPRO HD, HDV, and Final Cut Pro Dynamic RT segments to full output resolution to save processing power for other applications.
 - Realtime downscaling of an HD project to SD resolution with proper color space conversions.
- Flicker-free, broadcast-quality video output of your computer desktop with any application.

Matrox MXO operation modes

Matrox MXO works in two different modes depending on your application:

- **Mastering mode** This mode is for video editors using QuickTime-based applications such as Final Cut Pro. Matrox MXO uses the DVI port on your Mac computer in a unique way to output frame-accurate audio/video for insert editing and printing to tape. Up to eight channels of mono audio are available from your application and embedded in the SDI output signal. The MXO Preference pane allows you to choose which stereo pair you would like to monitor via MXO's RCA output. To use Matrox MXO in Mastering

mode, you must first select the MXO as the output device for your application. For more information on how to do this, see “[Specifying your video and audio output device settings](#)” on page 24.

- **Presentation mode** This mode mirrors the contents of your desktop and outputs it as high-quality video, such as for display on a video monitor or recording to a VTR. Presentation mode can be used to display and record Keynote and PowerPoint presentations or web browser sessions. It can also be used to create software application training. When working in Presentation mode, your system’s audio playback is routed to all the MXO audio outputs.

Supported video output standards

Matrox MXO supports the following video output standards:

- NTSC 720×486i at 29.97 frames per second.
- PAL 720×576i at 25.00 frames per second.
- HDTV 1920×1080i at 29.97 frames per second.
- HDTV 1920×1080i at 25.00 frames per second.
- HDTV 1280×720p at 59.94 frames per second.

If you’re working with a project that has a video standard that isn’t supported by MXO, the video output will be automatically converted to one of the supported standards. For example, if you are working with a project that has a format of 1280×720p at 23.98 frames per second, it will be converted to 1280×720p at 59.94 frames per second for output.

Hardware supplied for Matrox MXO

- Matrox MXO box.
- Matrox MXO cable (includes USB, DVI, and audio connectors).
- Y/C (S-Video) adapter cable.
- External AC/DC adapter and power cord.

Matrox MXO system requirements

Matrox MXO requires a Mac system with the following system configuration:

- Mac OS X v10.4.7 or later.
- DVD-ROM drive to install the MXO software.
- Free USB port.
- Display card with a secondary DVI-I connector. Must be able to display 1920×1200 @ 60 Hz.



Note You must have a secondary DVI-I connector for use with Matrox MXO, and connect your primary DVI monitor to a different connector on your display card. If you are using an AGP display card, it needs to run at a speed of 4X or faster.

- DVI monitor that supports a native display resolution of 1920×1200 is recommended, such as an Apple Cinema Display.
- 512 MB physical memory (RAM) if using MXO with a QuickTime-based video editing program (Apple recommends 2 GB for HD editing).

Check our website for equipment information

For up-to-date information about recommended computer systems and other MXO-compatible devices such as display cards and DVI monitors, check the Matrox Video Support site at www.matrox.com/video/support.

About this manual

This manual provides you with information about installing and using your Matrox MXO hardware and software, including how to configure your Matrox MXO for use with Final Cut Pro and Adobe After Effects.

Style conventions

The following style conventions are used in this manual:

- The names of files, folders, and manuals appear in *italics*. For example:
 - The data is stored in the *Sample Movie* file.
 - The file is located in the *Clips* folder.
 - Please refer to your *Final Cut Pro User's Manual*.
- Menus and commands that you need to choose are displayed in the form **Menu > Command**. For example, **File > Save** means click **File** in the menu bar, then click **Save** in the menu that appears.

Last-minute information

Any important information that wasn't available for inclusion in this manual by publication time is provided to you in the *Matrox MXO Release Notes*.

2

Connecting External Devices to Matrox MXO

This chapter shows you how to connect external devices to Matrox MXO.

MXO connections

Matrox MXO allows you to connect multiple devices for simultaneous output. The connections you make depend on which video formats you wish to output.



Important Only DVI monitors that accept digital input are supported for use as a secondary display with Matrox MXO. In order to preview full-resolution HDV video, your DVI monitor must support a display resolution of at least 1920×1200.

Available MXO connections

- One DVI input.
- One DVI output.
- One USB 2.0 connector.
- Your choice of one of the following video output combinations:
 - HD SDI output with embedded audio and simultaneous HD analog component output.
 - SD SDI output with embedded audio and simultaneous SD analog component output.
 - SD SDI output with embedded audio and simultaneous S-Video and composite output.
- Genlock reference input.
- One RCA stereo output.
- DC power jack.

Connecting your MXO to your Mac system

The Matrox MXO kit includes a cable to connect the MXO box to your Mac system. The cable has four connectors on the system end, and two connectors to attach to the MXO box.

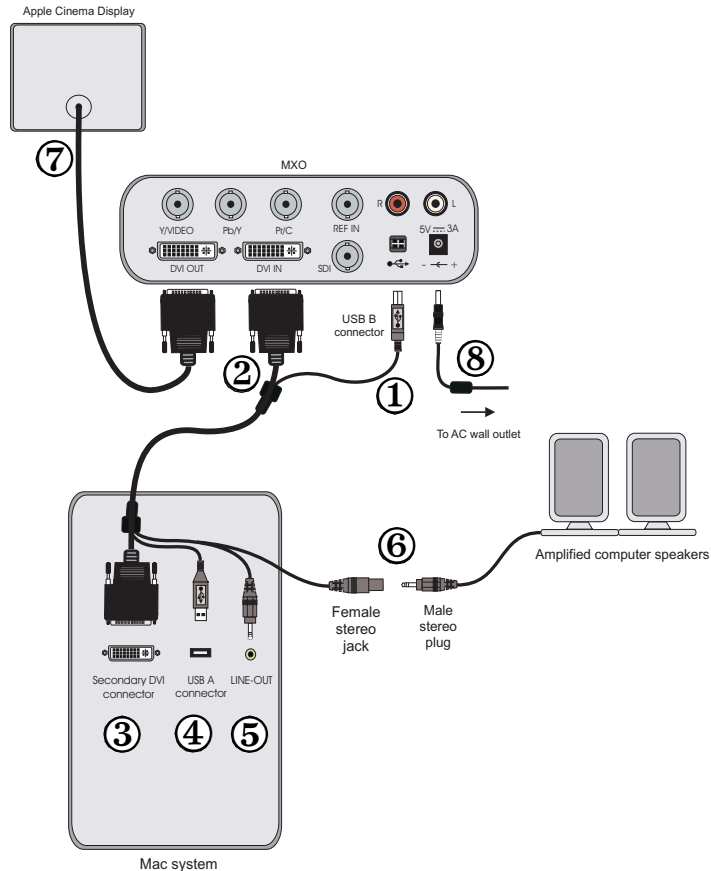


To connect the MXO to your Mac system:

- ① Connect the USB cable connector on the MXO end (two connectors) of the cable to the USB B socket on your MXO.
- ② Connect the DVI connector on the MXO end of the cable to the DVI IN connector on the MXO. Tighten the thumb screws to ensure a stable connection.
- ③ Connect the DVI connector on the system end of the cable (four connectors) to the secondary DVI connector on your Mac system. Tighten the thumb screws to ensure a stable connection.
- ④ Connect the USB cable connector on the system end of the cable to the USB A socket on your Mac system.

Remarks

- The MXO requires a High-Speed USB 2.0 connection. **Do not** plug the USB cable connector to the USB socket on your keyboard.
 - If you disconnect the USB cable at any time or shut your system down, the MXO will automatically shut off.
- ⑤ Plug the male stereo audio connector on the system end of the MXO cable into the LINE OUT jack on your sound card or laptop.
 - ⑥ Plug the female stereo audio connector on the system end of the MXO cable into your speakers.
 - ⑦ Connect the DVI connector on your Apple Cinema Display (secondary display) to the DVI OUT connector on the MXO.
 - ⑧ Connect the AC/DC adapter to the power cord. Plug the DC adapter end into the DC power jack on the MXO, and the AC power cord end into an AC wall outlet.



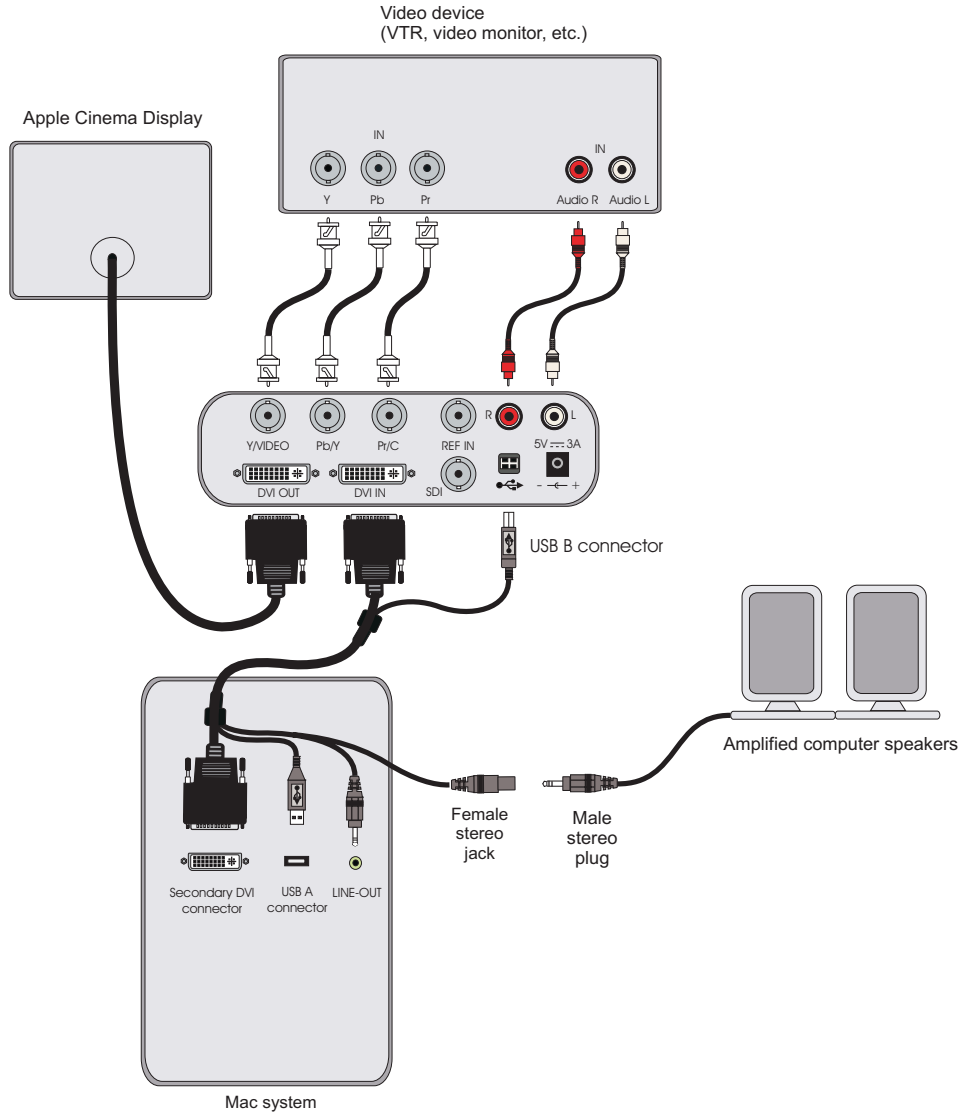
Typical Matrox MXO connections

The following illustrations show some typical MXO connections. In these illustrations we've connected an Apple Cinema Display as the secondary display, and also connected a video device, such as a VTR or video monitor. We've connected the audio output from the MXO box to the video device, but you can connect it to a sound mixer if you are using one.



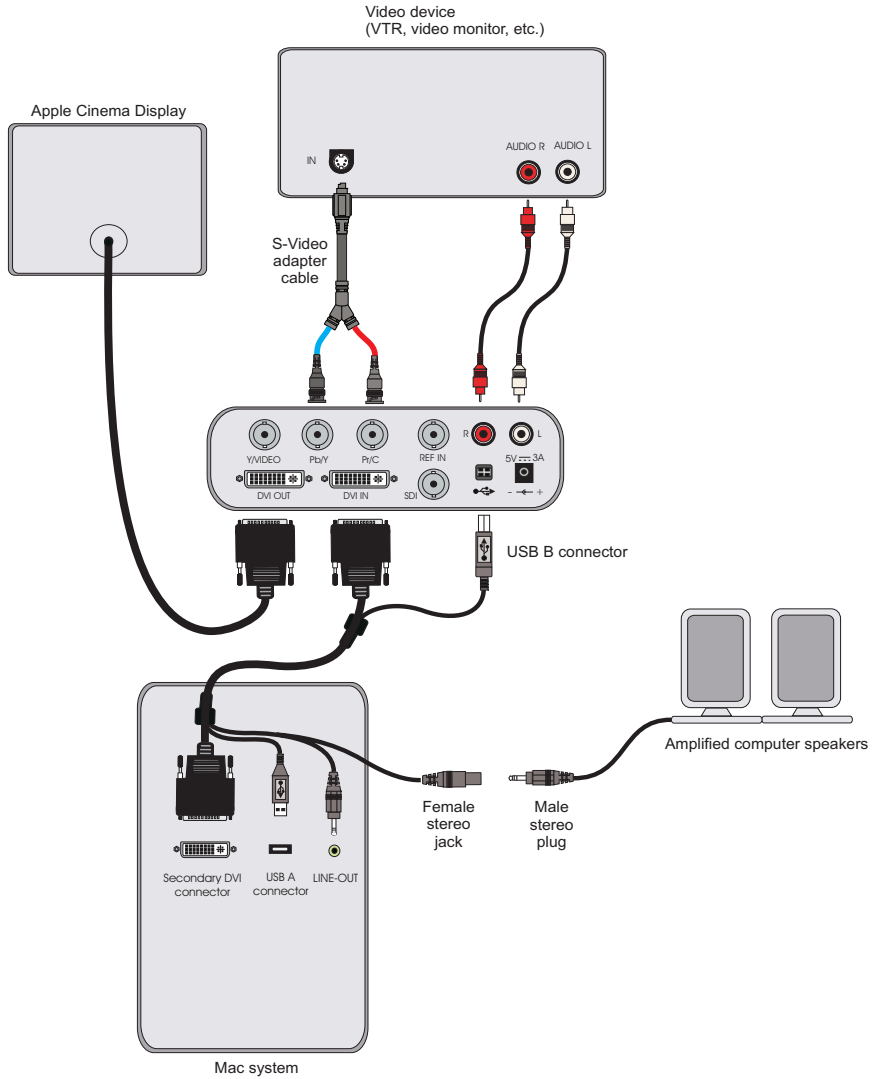
Note You can also connect an external sync generator to ensure proper equipment timing. However, this is optional as the MXO generates its own internal reference signal if an external genlock is not available.

Analog component connections

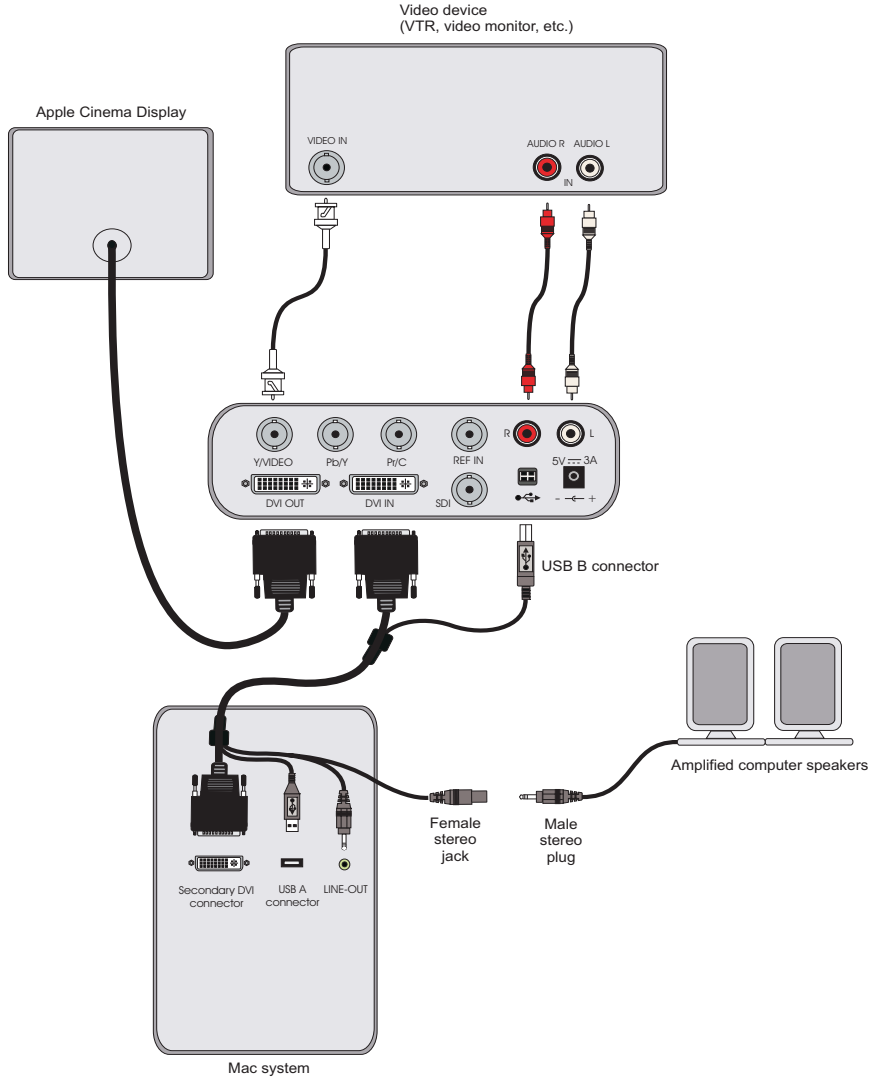


Typical Matrox MXO connections

S-Video connections

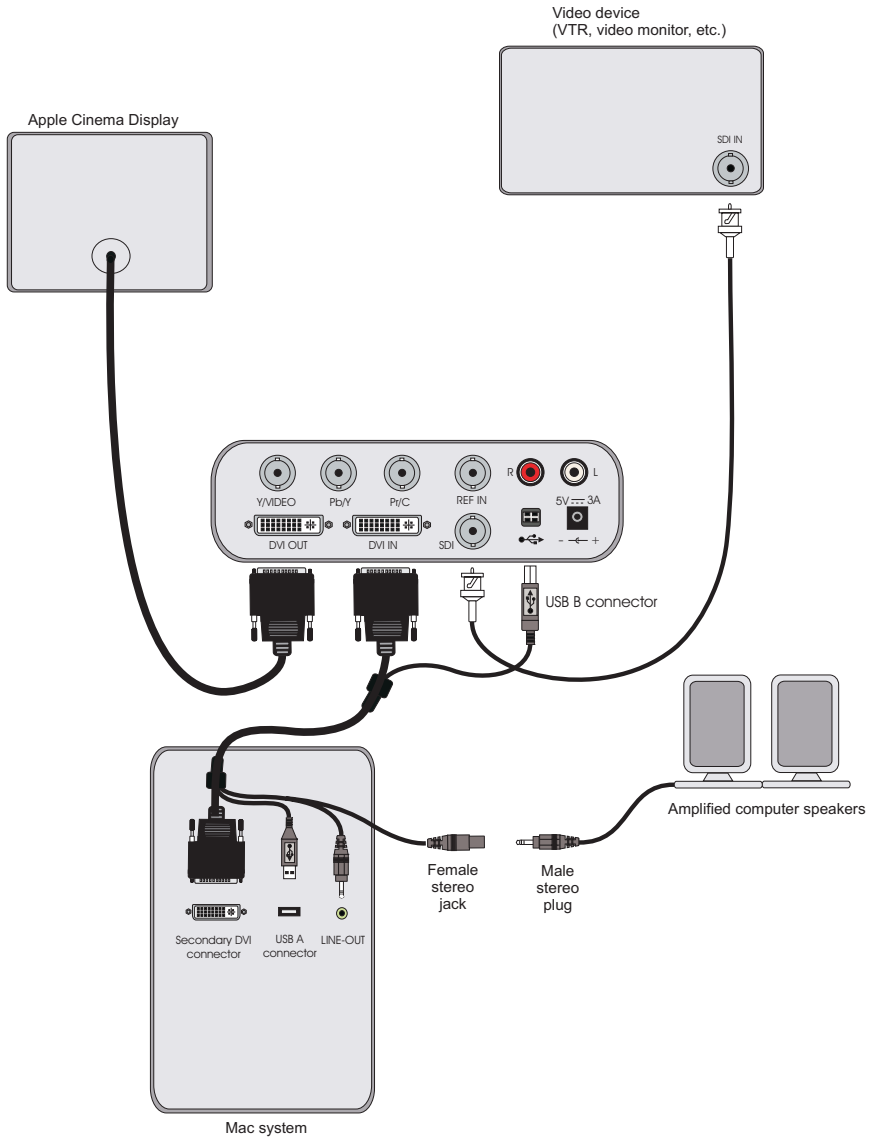


Composite connections



Typical Matrox MXO connections

SDI connections



3

Installing Your Matrox MXO Software and Configuring Your System

This chapter explains how to install the Matrox MXO software and how to configure your system in the MXO Preference pane.


Installing your Matrox MXO software

If you are planning on using MXO in Mastering mode for video editing, you should install Final Cut Pro before installing the MXO software. For information on installing Final Cut Pro, see your *Final Cut Pro User's Manual*.

- 1 Insert your Matrox MXO installation CD in your DVD-ROM drive and run the installation program on the CD.
- 2 Follow the onscreen instructions to install the Matrox MXO software on your computer.
- 3 The installer will restart your computer at the end of the installation when you click **Restart**.


Removing your Matrox MXO software

- 1 In the **Finder** menu, choose **File > New Finder Window**.
- 2 Choose **Applications > Matrox MXO Utilities > MXO Uninstaller**.
- 3 Enter your administrator password in the **Authenticate** dialog box, then click **OK**.

 **Important** The uninstall will not work unless you enter the correct administrator password.

Calibrating your secondary display

For accurate and consistent color, it's recommended that you use the ColorSync utility that comes with your Mac, or a hardware calibration system to calibrate the DVI monitor that you've connected as your secondary display for use with Matrox MXO.

 **Important** Unless you have a secondary display monitor connected to the DVI OUT of the MXO, **do not** drag your menu bar off your primary display monitor in the **Arrangement** dialog box, as you will not be able to get the menu bar back.

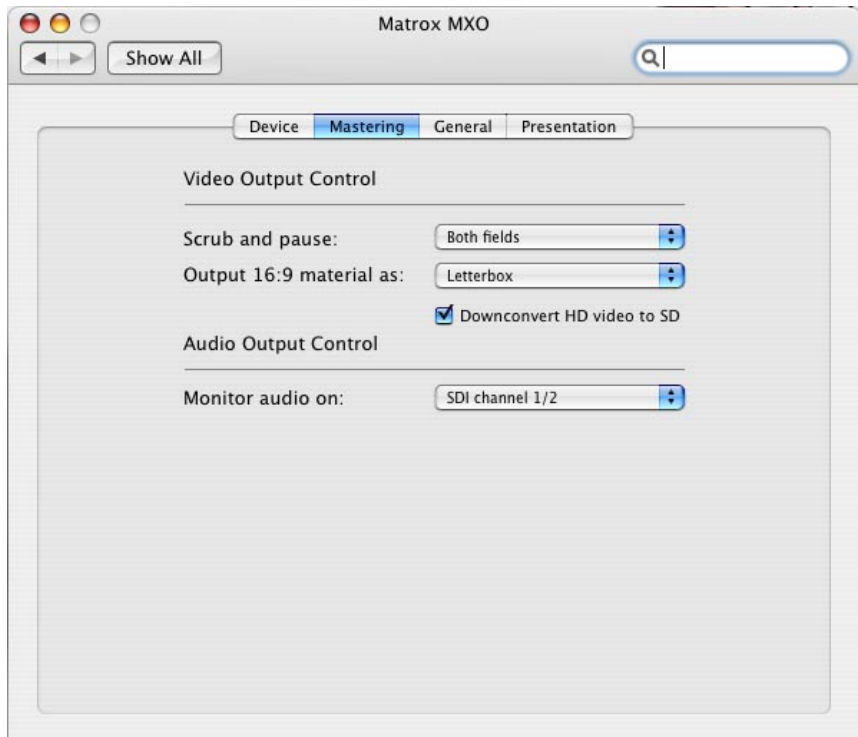
Defining your settings in the MXO Preference pane

The MXO Preference pane allows you to specify various settings to configure your video and audio output from MXO for the Mastering and Presentation modes. You can also use the MXO Preference pane to view information about MXO, such as the serial number and current operating temperature.

Specifying your Mastering mode settings

To specify your Mastering mode settings on Matrox MXO:

- 1 From the **Apple** menu, click **System Preferences**, and then click the **Matrox MXO** icon.
- 2 Click the **Mastering** tab.



- 3 Under **Video Output Control**, select **Both fields**, **First field**, or **Second field** from the **Scrub and pause** menu to indicate whether you want to display both fields or only one field when you scrub on the timeline in your project. For example, you may want to scrub the first or second field to eliminate the flickering that can be seen in your picture when you pause while scrubbing frames of interlaced video.

Defining your settings in the MXO Preference pane

- 4 Under **Video Output Control**, select **Downconvert HD video to SD** if you want to downconvert HD video output to SD.



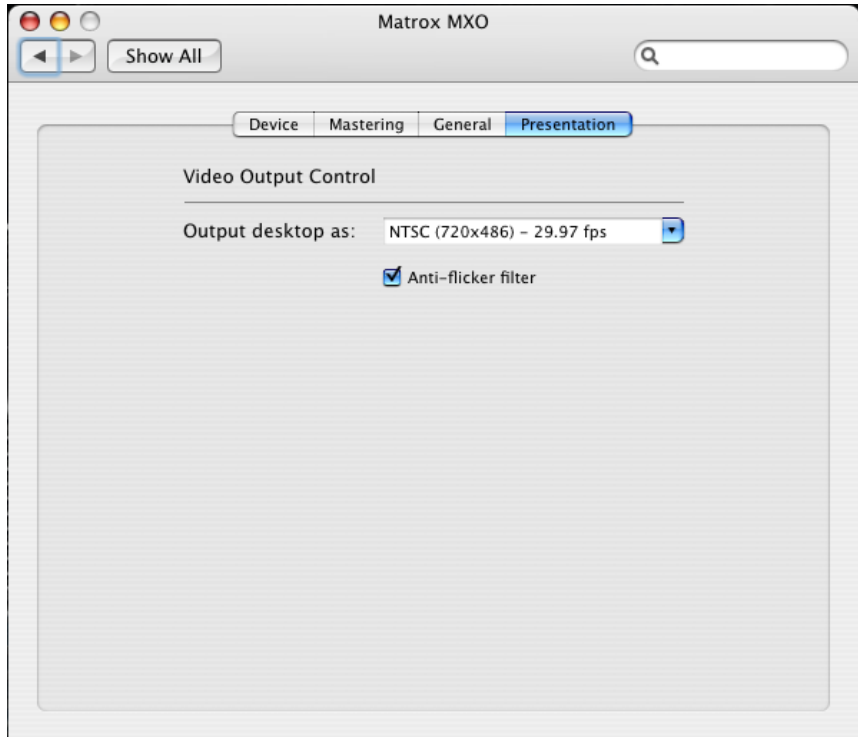
Note When you select **Downconvert HD video to SD**, you do **not** need to change your video playback settings in Final Cut Pro. Your project's video playback settings should always match your sequence settings.

- 5 If you select **Downconvert HD video to SD**, or if you are working with SD 16:9 material, you can select one of the following video output options from the **Output 16:9 material as** menu:
 - **Letterbox** Outputs the widescreen 16:9 picture in letterbox mode by adding black bars at the top and bottom of the picture for display on a standard 4:3 television screen.
 - **Anamorphic** Outputs the widescreen 16:9 picture as horizontally compressed 4:3 video, which retains the picture's full vertical resolution for display on a widescreen television. To display the video with the correct proportions on an NTSC or PAL monitor, select the 16:9 display setting on the monitor.
 - **Center cut** Outputs the widescreen 16:9 picture by evenly cropping the left and right edges of the picture for display on a standard 4:3 television screen.
- 6 Under **Audio Output Control**, from the **Monitor audio on** menu, select which audio channel pair you want to monitor from the embedded SDI audio.

Specifying your Presentation mode settings

To specify your Presentation mode settings on Matrox MXO:

- 1 From the **Apple** menu, click **System Preferences**, and then click the **Matrox MXO** icon.
- 2 Click the **Presentation** tab.



- 3 Under **Video Output Control**, from the **Output desktop as** menu, select the video standard in which you want your desktop to be encoded and routed to the MXO video outputs, such as for display on a video monitor or recording to a VTR. If the resolution of your desktop is larger than the standard you select, MXO will scale the video output accordingly. If your desktop resolution is smaller, the video output will be centered.



Note For best results, you should set your Matrox MXO desktop resolution (using **Displays** in the **System Preferences** pane) to a (**stretched**) preset and make sure your output video standard and desktop resolution are close in size. For example, if you want to output your desktop as **NTSC (720 × 486) - 29.97 fps**, you should set your desktop resolution to **800 × 600 (stretched)**.

Defining your settings in the MXO Preference pane

4 The **Anti-flicker filter** option is enabled by default to prevent flickering when previewing interlaced video. You may want to clear this option when working with graphics files in Photoshop, or when displaying full-screen video with QuickTime Player.

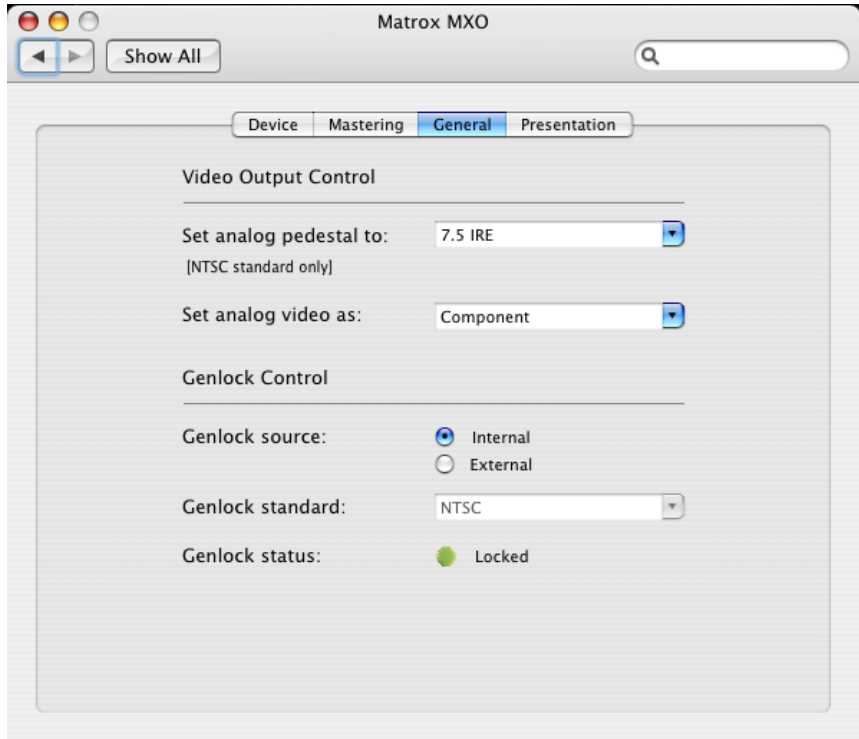


Tip Depending on the monitor you are using, you may notice color bleeding around the text in your display. To avoid this problem, from the **Apple** menu, choose **System Preferences > Appearance**, and then change the **Font smoothing style** to **Standard - best for CRT**.

Specifying your General settings

To specify your General settings on Matrox MXO:

- 1 From the **Apple** menu, click **System Preferences**, and then click the **Matrox MXO** icon.
- 2 Click the **General** tab.



- 3 Under **Video Output Control**, select the setup level you want for your NTSC analog video from the **Set analog pedestal to** menu:
 - **7.5 IRE** Applies the standard NTSC setup level of 7.5 IRE.
 - **0 IRE** Applies a setup level of 0 IRE. You should select this option only when working with a commercial DV-1394 device that uses the Japanese analog NTSC setup of 0 IRE. For example, if the video appears too bright when you play back DV clips on your NTSC monitor, you can change the setup to 0 IRE to output your DV clips at the correct brightness.



Note This setting is applicable for NTSC video only. It has no effect when working with HD material.

Defining your settings in the MXO Preference pane

4 Under **Video Output Control**, from the **Set analog video as** menu, select the type of analog video output you want by selecting **Component**, or **Composite & Y/C**.

- 5 Under **Genlock Control**, for **Genlock source** select one of the following:
- **Internal** Select this to genlock to MXO's internal reference signal. Select this option only if you don't have an external sync generator connected to the REF IN on your MXO.
 - **External** Select this if you connected an external sync generator to the REF IN on your MXO.

The status of your genlock source will be displayed next to **Genlock status** as **Locked** or **Not Locked** to indicate whether or not Matrox MXO is presently locked to your genlock source.

6 If you select **External** as the genlock source, from the **Genlock standard** menu, select your external genlock source's video standard (this setting is not applicable if you select **Internal** as the genlock source).

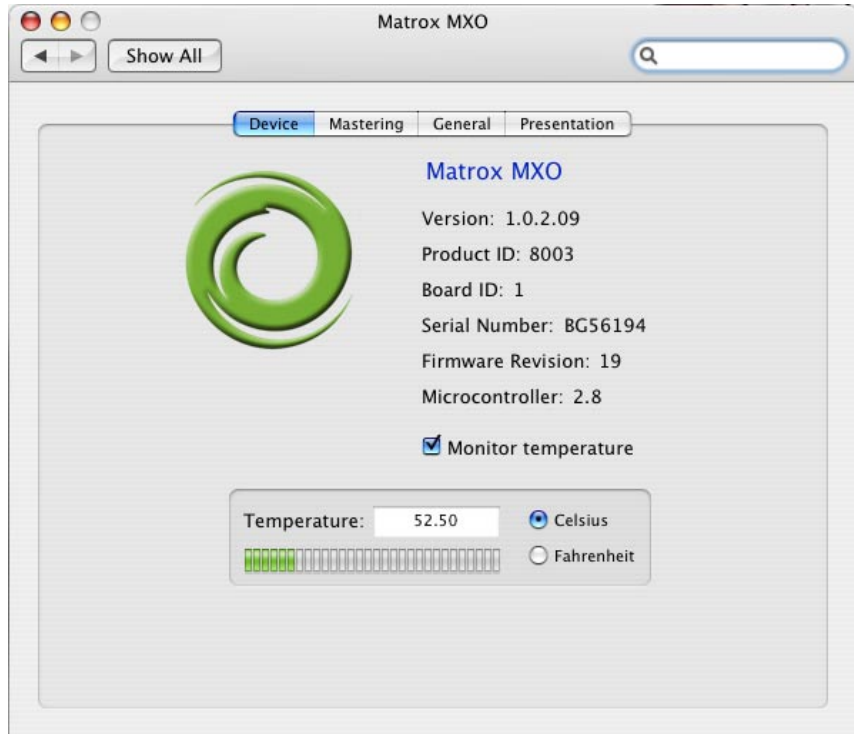


Important To ensure good output results, make sure that your genlock source's video standard matches the standard of your project.

Viewing MXO information

To view MXO information, such as the serial number and operating temperature:

- 1 From the **Apple** menu, click **System Preferences**, and then click the **Matrox MXO** icon.
- 2 Click the **Device** tab.



- 3 To display the current MXO operating temperature, select **Monitor temperature**.



Important If your MXO exceeds the maximum operating temperature at any time, it will display a warning and automatically shut down to avoid damage. Should this occur, make sure your MXO is not close to a heat source and that the ventilation holes are not obstructed.

Your notes

4

Using Matrox MXO with Final Cut Pro and Other Supported Programs

This chapter explains how to define various settings for using your MXO with Final Cut Pro and other supported programs.

Loading project presets for Final Cut Pro

The Matrox MXO QuickTime video output component for Final Cut Pro includes project presets that you can load to immediately apply appropriate MXO settings.

⇒ **To load a Matrox MXO project preset:**

- 1 Start Final Cut Pro and select **Final Cut Pro > Easy Setup**.
- 2 From the drop down menu in the **Easy Setup** dialog box, select the preset that matches the format of your project. For example, if you are working with NTSC material, select **Matrox MXO Uncompressed 8-bit NTSC**.
- 3 Click **Setup** to apply the settings.

Specifying your video and audio output device settings

The following sections explain how to specify your video and audio output device settings for Final Cut Pro and Adobe After Effects. Many programs share similar output device settings as Adobe After Effects, however, you should refer to your program's documentation for more details.



Important Depending on the application you are using, the MXO video output settings that are available may vary. In most cases, both YUV and RGB settings will be listed. Therefore, it is important to determine whether the program you are using is YUV or RGB based before choosing an MXO output setting. For example, Apple Final Cut Pro, Soundtrack Pro, and Motion 2, are all YUV based. Therefore, for best results when using these programs you should choose an MXO YUV output setting. When using programs such as Adobe After Effects or Autodesk Combustion, you should choose an MXO RGB output setting. If you are not sure whether the application you are using is YUV or RGB based, try using both and see which one offers the best performance.

Specifying settings for Final Cut Pro

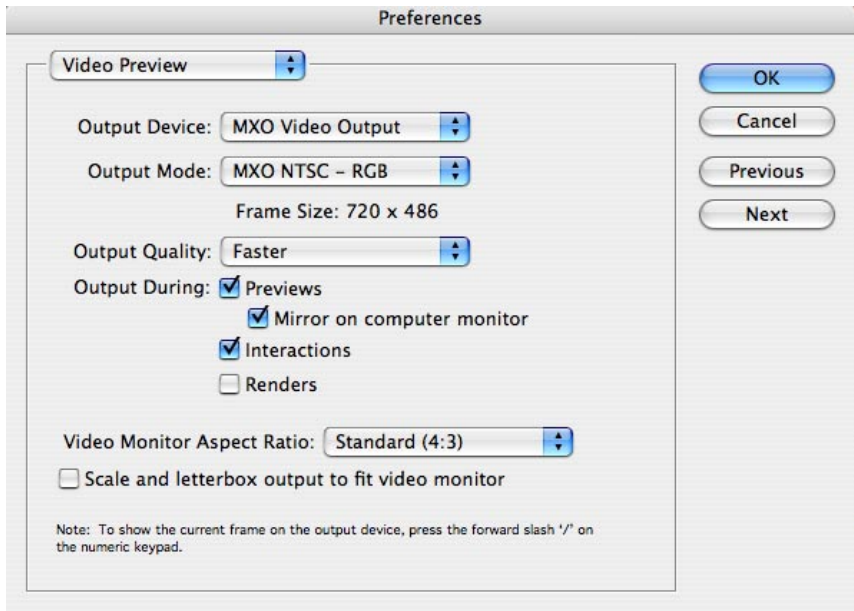
- 1 Start Final Cut Pro and choose **View > Video Playback**.
- 2 Select the MXO setting that matches your project's sequence setting. For example, if you're working with an NTSC project, select **MXO NTSC – YUV (720 × 486)**. Once you've selected an MXO setting from the video playback menu, **MXO Audio** will be automatically enabled in the **Audio Playback** menu.
- 3 Ensure that Mastering mode is enabled by choosing **View > External Video > All Frames**.

Remarks

- The **MXO Audio** setting will not work unless you have an MXO setting selected from the **Video Playback** menu.
- If the **External Video** option is off in the **Video Playback** menu, you will not be able to monitor your audio through Matrox MXO. In order to hear your audio, you must choose a device other than **MXO Audio** from the **Audio Playback** menu.

Specifying settings for Adobe After Effects

- 1 Start Adobe After Effects and choose **After Effects > Preferences > Video Preview**.



- 2 From the **Output Device** menu, select **MXO Video Output**.
- 3 From the **Output Mode** menu, select the setting that matches the format of your project. For example, if you're working with an NTSC project, select **MXO NTSC - RGB**.
- 4 Click **OK** to save your settings.

Specifying your video and audio output device settings

Ensuring accurate printing to tape using Final Cut Pro

In order to perform an accurate print-to-tape using Final Cut Pro with Matrox MXO, you may need to adjust the **Playback Offset** value in the **Device Control Preset Editor**.

⇒ **To adjust the Playback Offset value:**

- 1 Start Final Cut Pro and choose **Final Cut Pro > Audio/Video Settings**, and then click the **Device Control Presets** tab.
- 2 Select the preset for your device, click **Edit** or **Duplicate**, and then click **OK**.
- 3 You can now adjust the value in the **Playback Offset** box.



Note To avoid having black frames recorded at the end of an insert edit, make sure that **Editing** (instead of **Mastering**) is selected in the **Edit to Tape** window. To do this, choose **File > Edit to Tape**, and then select **Editing** from the pop-up menu at the top of the window.

A

Matrox MXO Specifications

This appendix provides specifications for your Matrox MXO box.

Matrox MXO box specifications

General

Video standards	NTSC, PAL, NTSC-EIAJ, 720p, and 1080i
Regulatory compliance	FCC Class A, CE Mark Class A, C-Tick Mark, VCCI RoHS Directive 2002/95/EC
Dimensions	134mm (L) × 161mm (W) × 45mm (H)
External AC/DC adapter	100-240 VAC 50-60 Hz Input: IEC320-C8 inlet Output: +5V DC, 3A max., 2.5mm barrel type
Total power consumption	10 watts

Connections

DVI input and output	DVI-I (single-link) 29-pin female connector
Genlock reference input	SD analog black burst (bi-level) or HD tri-level sync BNC connector (75 Ω), terminated
SDTV SDI output	SD-SDI with 8 channels of embedded SDI audio 24-bit, 48 kHz BNC connector (75 Ω) Compliant with SMPTE 259M-C, SMPTE 272M
SDTV S-Video & composite video output	PAL, NTSC, NTSC-EIAJ Frequency response: +/- 0.25 dB max to 5 MHz 2T pulse response: 0.5% max Diff. Gain and Diff. Phase: < 2% BNC connectors (75 Ω)
SDTV analog component video output	Betacam, Betacam SP (NTSC & NTSC-EIAJ) SMPTE/EBU N10 (PAL) Frequency response Y: +/- 0.25 dB max to 5 MHz Frequency response Pb, Pr: +/-0.2 dB max to 2 MHz Component channel delay: +/- 3ns Component S/N (Y, Pb, Pr): > 54 dB, unified weighted BNC connectors (75 Ω)
HDTV SDI output	HD-SDI with 8 channels of embedded SDI audio 24-bit, 48 kHz Compliant with SMPTE 292M, SMPTE 299M BNC connector (75 Ω)

HDTV analog component**video output**

Supported video formats: 720p and 1080i
 Compliant with EIA-770.3
 Frequency response Y: +/- 0.3 dB max to 28 MHz
 Frequency response Pb, Pr: +/-0.4 dB max to 14 MHz
 Component channel delay: +/- 0.5ns
 Component S/N (Y, Pb, Pr): > 57 dB, unified weighted
 BNC connectors (75 Ω)

Analog stereo line out

Left and right RCA connectors
 4.35 Vp-p (+6 dBu) maximum output level

Analog stereo loop through

Input: Stereo 3.5mm female connector on MXO cable
 Output: Stereo 3.5mm male connector on MXO cable
 4.35 Vp-p (+6 dBu) maximum input/output levels

Other

USB 2.0 type B connector
 2.5mm DC power jack

Environmental specifications

- Minimum/maximum ambient operating temperatures: 0 to 45° C
- Minimum/maximum storage temperature: -40 to 75° C
- Maximum altitude for operation: 3,000 meters
- Maximum altitude for transport: 12,000 meters
- Operating humidity: 20 to 80% relative humidity (non-condensing)
- Storage humidity: 5 to 95% relative humidity (non-condensing)

Your notes

B

Matrox MXO Customer Support

This appendix explains how you can register your Matrox MXO and obtain customer support.

How to get Matrox MXO Customer Support

If you have a problem that you're unable to solve by referring to your Matrox MXO documentation, please contact your Matrox MXO representative. He or she should be able to help you quickly correct any installation or system configuration problem.

If your representative is unable to solve your problem, contact Matrox for further information and assistance.

Registration

You can register your Matrox MXO in the Matrox MXO Support section of our website at www.matrox.com/video/support.



Important Only registered users are entitled to customer support, software updates, special promotional offers, and access to our MXO user forum at <http://forum.matrox.com/mxo/>.

Keep up to date with our website

In addition to registering your Matrox MXO, our website offers you up-to-the-minute information about Matrox products, software updates, and access to our support databases. Be sure to place our site in your favorites or bookmarks: www.matrox.com/video/support.

Contacting us

Matrox is proud to offer worldwide customer support. Please use the Matrox MXO contact information for your area as provided on our website at www.matrox.com/video/support.

Index

A

- Adobe After Effects
 - specifying settings for 25
- After Effects
 - See Adobe After Effects
- Audio output device settings
 - specifying in Final Cut Pro 24

C

- Computer
 - system requirements for Matrox MXO 4
- Connections
 - analog component 9
 - composite 11
 - MXO to Mac system 6
 - SDI 12
 - S-Video 10
 - typical 8
- Customer support 32

D

- Desktop
 - selecting output video standard for 17
- Display monitor
 - calibrating secondary 14

E

- Environmental specifications
 - Matrox MXO 29

F

- Final Cut Pro
 - ensuring accurate print-to-tape using 26
 - loading project presets 24
 - specifying settings for 24

G

- General settings
 - specifying for Matrox MXO 19
- General specifications
 - Matrox MXO 28

I

- Internet
 - Matrox WWW site 32

L

- License agreement i

M

- Mac system
 - connecting to your MXO 6
- Mastering mode
 - about 2
 - specifying settings for 15
- Matrox
 - contacting us 32
 - WWW site 32
- Matrox MXO
 - available connections 6
 - connecting to your Mac system 6
 - customer support 32
 - hardware supplied with 3
 - key features 2
 - operation modes 2
 - Preference pane
 - about 15
 - defining General settings 19
 - defining Mastering mode settings 15
 - defining Presentation mode settings 17
 - viewing MXO information 21
 - registration 32
 - software
 - installing 14
 - removing 14
 - specifications 28
 - system requirements 4
 - typical connections 8
 - viewing information for 21
- MXO
 - See Matrox MXO

P

Preference pane

See Matrox MXO

Presentation mode

about [3](#)

specifying settings for [17](#)

Project presets

loading for Final Cut Pro [24](#)

R

Registering your Matrox MXO [32](#)

Returning procedure [iv](#)

S

Secondary display

calibrating [14](#)

Service, returns [iv](#)

Specifications

for Matrox MXO [28](#)

Style conventions [4](#)

System requirements

for Matrox MXO [4](#)

T

Technical support

See Customer support [32](#)

Temperature

monitoring for Matrox MXO [21](#)

V

Video output device settings

specifying in Adobe After Effects [25](#)

specifying in Final Cut Pro [24](#)

Video output standards

supported [3](#)

W

Warranty [i](#)

WWW site [32](#)

Compliance Statements

USA

FCC Compliance Statement

Remark for the Matrox hardware products supported by this guide

This equipment has been tested and found to comply with the limits for a Class A digital device, pursuant to Part 15 of the FCC Rules. These limits are designed to provide reasonable protection against harmful interference when the equipment is operated in a commercial environment. This equipment generates, uses, and can radiate radio frequency energy and, if not installed and used in accordance with the instructions manual, may cause harmful interference to radio communications. Operation of this equipment in a residential area is likely to cause harmful interference in which case the user will be required to correct the interference at his own expense.

WARNING

Changes or modifications to this unit not expressly approved by the party responsible for the compliance could void the user's authority to operate this equipment. The use of shielded cables for connection of the equipment and other peripherals is required to meet FCC requirements.

Canada

(English) Industry Canada Compliance Statement

Remark for the Matrox hardware products supported by this guide

These digital devices do not exceed the Class A limits for radio noise emission from digital devices set out in the Radio Interference Regulation of Industry Canada.

(Français) Conformité avec les exigences de l'Industrie Canada

Remarque sur les produits matériels Matrox couverts par ce guide

Ces appareils numériques n'émettent aucun bruit radioélectrique dépassant les limites applicables aux appareils numériques de Classe A prescrites dans le Règlement sur le brouillage radioélectrique édicté par Industrie Canada.

Europe

(English) European user's information – Declaration of Conformity

Remark for the Matrox hardware products supported by this guide



These devices comply with EC Directive 89/336/EEC for a Class A digital device. They have been tested and found to comply with EN55022/CISPR22 and EN55024/CISPR24. In a domestic environment these products may cause radio interference in which case the user may be required to take adequate measures. To meet EC requirements, shielded cables must be used to connect the equipment and other peripherals.

(Français) Informations aux utilisateurs Européens – Déclaration de conformité

Remarque sur les produits matériels Matrox couverts par ce guide

Ces unités sont conformes à la directive communautaire 89/336/EEC pour les unités numériques de classe A. Les tests effectués ont prouvé qu'elles sont conformes aux normes EN55022/CISPR22 et EN55024/CISPR24. Le fonctionnement de ces produits dans un environnement résidentiel peut causer des interférences radio, dans ce cas l'utilisateur peut être amené à prendre les mesures appropriées. Pour respecter les impératifs communautaires, les câbles de connexion entre l'équipement et ses périphériques doivent être blindés.

(Deutsch) Information für europäische Anwender – Konformitätserklärung

Anmerkung für die Matrox Hardware-Produktunterstützung durch dieses Handbuch

Diese Geräte entsprechen EC Direktive 89/336/EEC für ein digitales Gerät Klasse A. Sie wurden getestet und entsprechen demnach EN55022/CISPR22 und EN55024/CISPR24. In einer Wohnumgebung können diese Produkte Funkinterferenzen erzeugen, und der Benutzer kann genötigt sein, entsprechende Maßnahmen zu ergreifen. Um EG-Anforderungen zu entsprechen, müssen zum Anschließen des ausrüstung und anderer Peripheriegeräte abgeschirmte Kabel verwendet werden.

(Italiano) Informazioni per gli utenti europei – Dichiarazione di conformità

Nota per i prodotti hardware Matrox supportati da questa guida

Questi dispositivi sono conformi alla direttiva CEE 89/336/EEC relativamente ai dispositivi digitali di Classe A. Sono stati provati e sono risultati conformi alle norme EN55022/CISPR22 e EN55024/CISPR24. In un ambiente domestico, questi prodotti possono causare radiointerferenze, nel qual caso all'utente potrebbe venire richiesto di prendere le misure adeguate. Per soddisfare i requisiti CEE, l'apparecchiatura e le altre periferiche vanno collegati con cavi schermati.

(Español) Información para usuarios europeos – Declaración de conformidad

Observación referente a los productos de hardware de Matrox apoyados por este manual

Estos dispositivos cumplen con la directiva de la CE 89/336/EEC para dispositivos digitales de Clase A. Dichos dispositivos han sido sometidos a prueba y se ha comprobado que cumplen con las normas EN55022/CISPR22 y EN55024/CISPR24. En entornos residenciales, estos productos pueden causar interferencias en las comunicaciones por radio; en tal caso el usuario deberá adoptar las medidas adecuadas. Para satisfacer las disposiciones de la CE, deberán utilizarse cables apantallados para conectar el equipo y demás periféricos.



www.matrox.com/video

Free Manuals Download Website

<http://myh66.com>

<http://usermanuals.us>

<http://www.somanuals.com>

<http://www.4manuals.cc>

<http://www.manual-lib.com>

<http://www.404manual.com>

<http://www.luxmanual.com>

<http://aubethermostatmanual.com>

Golf course search by state

<http://golfingnear.com>

Email search by domain

<http://emailbydomain.com>

Auto manuals search

<http://auto.somanuals.com>

TV manuals search

<http://tv.somanuals.com>