



## Matrox **ATC RG Series**

ATC RG-200DL • ATC RG-400SL

### **User Guide**

10992-301-0105

2009.05.21

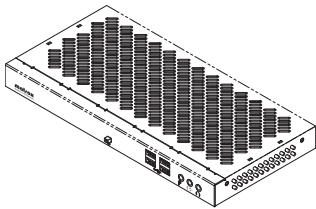
---

# Overview

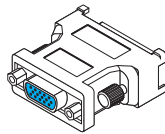
Thank you for purchasing a Matrox ATC RG product. This product is a complete remote graphics solution. ATC RG-200DL units can support up to two monitors. These monitors can be dual link digital monitors or analog monitors. ATC RG-400SL units can support up to four digital or analog monitors. As a remote graphics solution, it separates the CPU and hard disks of your system from the computer peripherals – monitors, keyboard, mouse, and audio hardware.

---

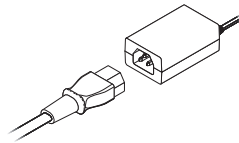
## Hardware supplied



Matrox ATC RG remote graphics unit  
(ATC RG-400SL shown)



4 DVI-to-HD15 adapters  
(ATC RG-400SL only)

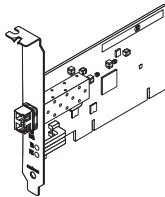


Power supply\*

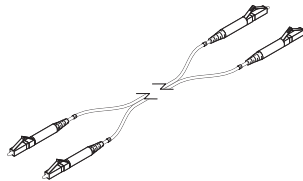
\* Multiple power cables are provided for international support.

---

## Hardware required (sold separately)



Matrox PCI or PCIe interface card  
(PCI card shown)



Dual LC optical cable  
(50 µm/125 µm or 62.5 µm/125 µm)

---

## Installation overview

To install your Matrox product:

- 1 Install your interface card – see “[Hardware installation](#)”, page 4.
- 2 Connect your ATC RG unit, monitors, and other peripherals – see “[Connection setup](#)”, page 7.

- 3 Install the software. Your Matrox ATC RG product supports a number of operating systems such as Windows, Unix, and Linux. To obtain a display driver for your operating system, contact your Matrox representative.



**Note:** Windows XP SP2 (Service Pack 2) – Windows may install a Matrox display driver unsupported by your product when the hardware in your unit is detected. If you aren't prompted to install a display driver, *DON'T RESTART* your system. Manually install the display driver on your Matrox installation CD-ROM before you restart.

If you're installing an ATC RG-200DL unit with a dual link digital monitor, the display driver used by Windows Service Pack 2 may disable your dual link DVI connector and enable the HD-15 connector. To install a driver that supports the dual link feature of your Matrox product, you need connect an analog monitor to the HD-15 connector.

# Hardware installation

This section describes how to install a Matrox interface card in your host computer. If your Matrox interface card is already installed in your computer, skip to “[Connection setup](#)”, page 7. For information specific to your computer, like how to remove its cover, see your system manual.



**WARNING:** To avoid personal injury and to prevent damage to your computer or Matrox hardware, turn off your computer, unplug it, and then wait for it to cool before you install your Matrox product and touch any of the internal parts of your computer.

While your computer is turned off but still plugged in, some electrical current is supplied to the motherboard. This current may prevent newly installed hardware from working properly.

Also, static electricity can severely damage electronic parts. Before touching any electronic parts, drain static electricity from your body (for example, by touching the metal frame of your computer). When handling a card, carefully hold it by its edges and avoid touching its circuitry.

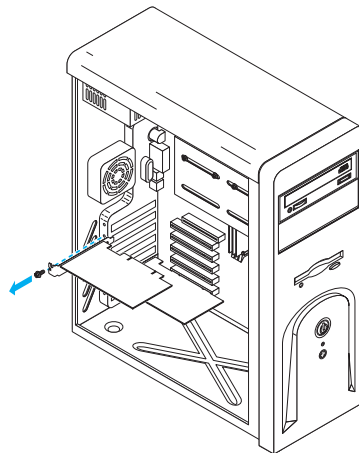
## 1 Open your computer and remove your existing graphics card \*

If a graphics card *isn't* already installed in your computer, skip to [step 2](#).

- a Using **Add/Remove Programs** in the Windows **Control Panel**, remove any currently installed display drivers. Restart your computer for the changes to take effect.

After your computer restarts, you're prompted to install drivers for the new graphics hardware detected. Click **Cancel**.

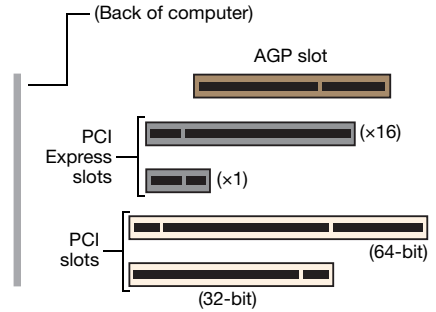
- b Turn off your computer and all peripherals such as your monitor or printer.
- c Open the computer and remove your existing graphics card. (If graphics hardware is built into the motherboard of your computer, you may need to disable it manually after your Matrox card is installed. For more information, see your system manual.)



\* With multi-display mode, you may be able to use your existing graphics card. For Windows 2000/XP, see Windows 2000/XP online help under “Install additional monitors”.

## 2 an expansion slot for your interface card

Most computers have different types of expansion slots. Choose a PCI or PCI Express (PCIe) ×1 slot, depending on the type of Matrox card you have. If you have a PCI card, your card supports both 64-bit and 32-bit PCI slots. Your system manual should identify the location of each type of expansion slot in your computer.

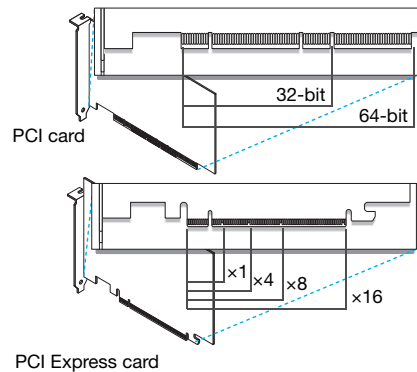


**Note:** If you're using a PCI card in a 64-bit PCI slot, your choice of PCI slot may affect your card or system performance. For more information, see your computer manual.



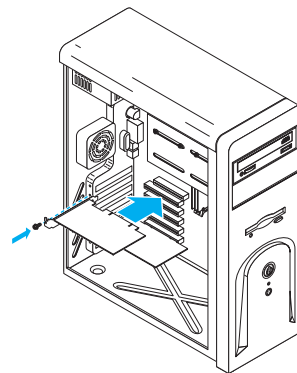
**WARNING:** Inserting your Matrox card into the wrong type of slot could damage your card, your computer, or both.

If you're using a PCI interface card in a 64-bit PCI expansion slot, your card uses only the part of your expansion slot closest to the back of the computer.



## 3 Insert your Matrox interface card

- Position your Matrox card over the expansion slot you've chosen.
- Push the card in firmly and evenly until it's fully seated in the slot.
- Secure the bracket of your Matrox card to the computer frame.



Your Matrox card is now installed. *Before restarting your computer*, first connect your RG400SL unit to your computer, then connect your monitors and your peripherals to your unit (see “[Connection setup](#)”, page 7). *After connecting*, restart your computer and install your Matrox software.

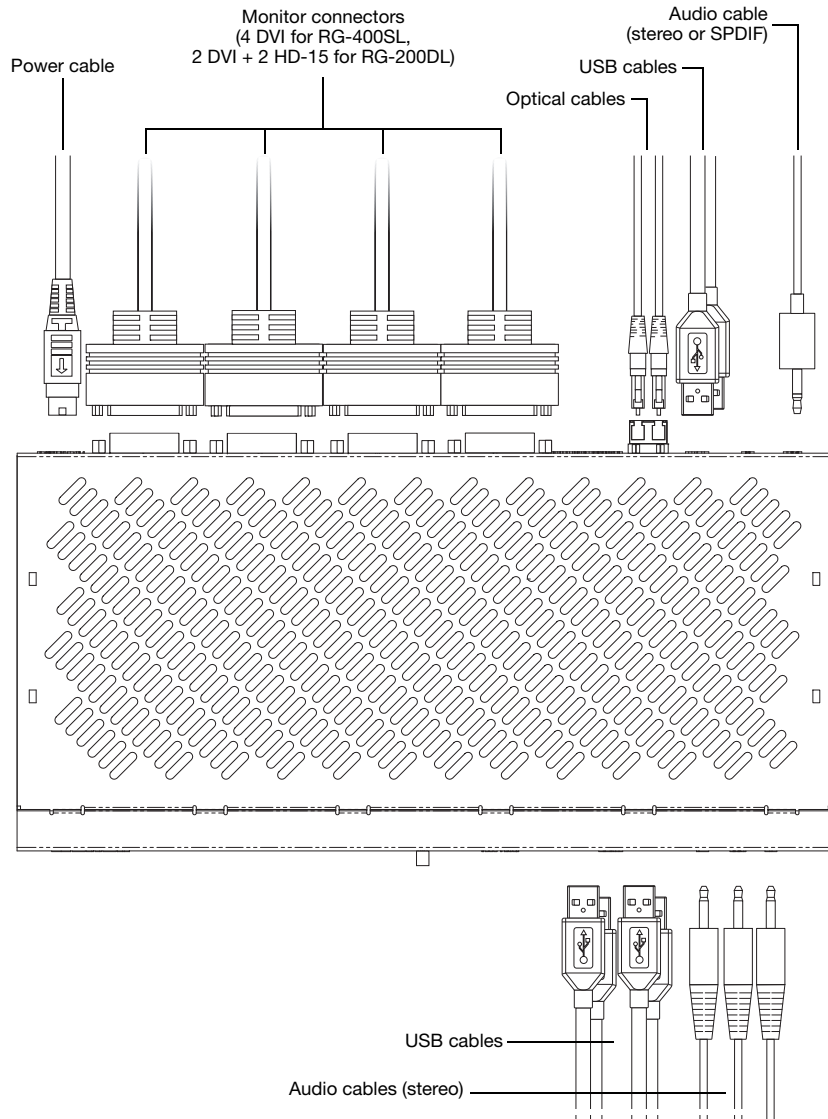


**WARNING:** If your computer doesn't restart after your Matrox card is installed, turn off your computer to avoid damaging electronic parts.

# Connection setup

This section describes how to connect monitors and other peripherals to your Matrox ATC RG unit.

## Connection overview



## Step-by-step connection setup



**WARNING:** Because the body of your ATC RG unit is used to disperse heat, it may become warm to the touch. Make sure your unit is located in a well ventilated area and nothing is blocking its ventilation holes.

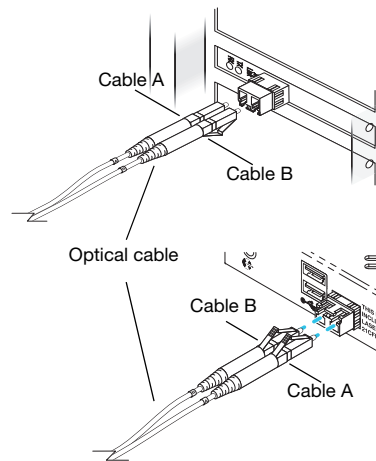
### 1 Connect your unit to your interface card

To connect your ATC RG unit to your interface card, you need a dual LC optical cable (sold separately).

Connect one end of your optical cable to the optical connector of your interface card. Connect the other end of your cable to the optical connector on your unit. Make sure your connectors are properly connected.



**Note:** The maximum length of optical cable supported by your Matrox product is 250 meters/750 feet. For more information, see “[Product information](#)”, page 12.

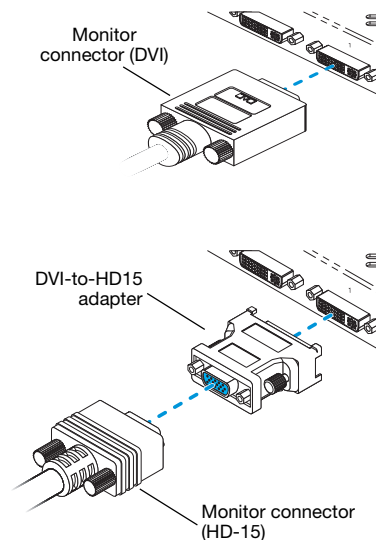


### 2 Connect your monitors

**ATC RG-400SL** – Connect your monitors to the monitor connectors at the back of your ATC RG unit.

If your monitors have DVI connectors, connect them directly to the monitor connectors at the back of your unit.

If your monitors have HD-15 connectors, you need DVI-to-HD15 adapters to connect your monitors to the monitor connectors on your unit.



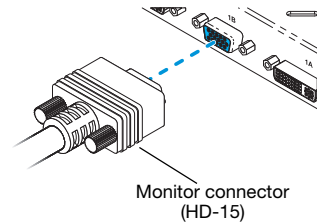
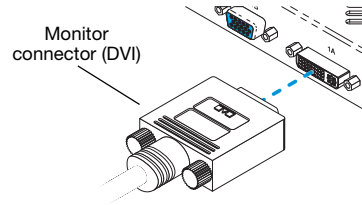


ATCRG-200DL – Connect your monitors to the monitor connectors at the back of your Extio unit.

If your monitors have DVI connectors, connect them directly to the DVI monitor connectors (A) at the back of your unit.

If your monitors have HD-15 connectors, connect them directly to the HD-15 monitor connectors (B) at the back of your unit.

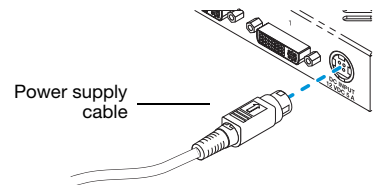
**i** **Note:** While a DVI monitor is connected to a DVI connector on your unit, the corresponding HD-15 connector is disabled.



### 3 Connect the power supply

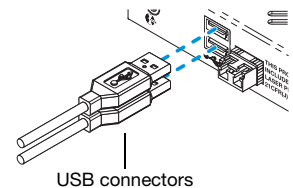
Attach one end of the power supply cable provided with your Matrox product to the power connector on your Matrox product.

Plug the power supply cord into an electrical outlet.



### 4 Connect your input devices (optional)

To use a keyboard or mouse, simply connect a USB mouse or keyboard to one of the USB connectors on your unit. There are 2 USB connectors at the back of the unit and 4 at the front.

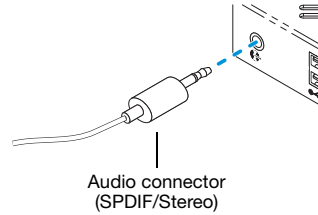


**i** **Note:** USB devices (including keyboard and mouse) are unavailable until Windows starts.

## 5 Connect your audio devices (optional)

Your unit has 2 input and 2 output audio connectors. The 2 input connectors are **Line in** (🔊) and **Microphone** (🎤). The 2 output audio connectors are **Headphones** (🎧) and **Line out** (🔊). All audio connectors support stereo jack connectors.

The **Line out** connector also supports *SPDIF* (Sony/Philips Digital Interface Format) mini-plug optical connectors.



To connect an audio device to your unit:

- a** Plug one end of your audio cable into the audio connector on your unit.
- b** Plug the other end of the cable in your audio device. For information on the type of connector supported by your audio device, see its documentation.



**Note:** If you're using the headphone connector at the front of your unit, the line-out connector at the back of the unit is muted.

Your Matrox product is now installed. Restart your computer, and install your Matrox software.

---

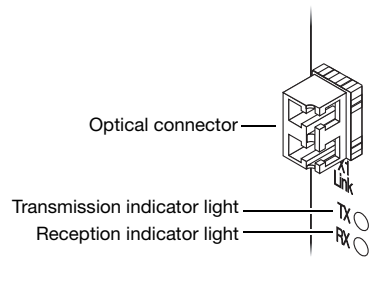
## Verifying your interface connection

To check your interface connection, your computer and your ATC RG unit must be on.

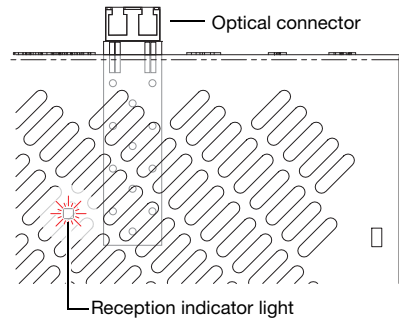
On the bracket of your interface card, make sure both the transmission (**TX**) and reception (**RX**) indicator lights are green.

If the reception indicator is red and you have separate optical cables, switch the cables in the optical connector of your Matrox product.

If the transmission indicator is red, your optical connector may be loose. Make sure your optical connector is firmly in place by pushing it into its housing. If the light doesn't change to green, contact your Matrox representative.



On your ATC RG unit, make sure the reception indicator light is off while your unit is turned on. This indicator light is inside your unit next to the optical connector. If the indicator light is on (red) and you have separate optical cables, switch the cables in the optical connector of your Matrox product.



**Note:** If the reception indicator lights on your interface card and your ATC RG unit are red after changing the cables, your optical cable may be damaged. Try your connection with a different optical cable.

# Product information

## Remote unit features

	Matrox ATC RG-200DL	Matrox ATC RG-400SL
<b>Digital monitor support</b>	DVI (single and dual link)	DVI (single link)
<b># of displays supported</b>	2	4
<b>Interface card supported</b>	Optical	Optical
<b>Memory</b>	128 MB	128 MB
<b>Maximum display resolution</b>	2048 × 2048	1920 × 1200
<b># of DVI-to-HD15 adapters</b>	—	4
<b># of USB connectors</b>	2.0 compliant (2 in back, 4 in front)	2.0 compliant (2 in back, 4 in front)
<b># and type of audio connectors</b>	Back: 1 stereo/SPDIF output Front: 1 microphone input, 1 line-in input, 1 stereo output	Back: 1 stereo/SPDIF output Front: 1 microphone input, 1 line-in input, 1 stereo output

## Interface card features

<b>Interface type</b>	Optical
<b>Card Type</b>	PCI or PCIe ×1
<b>Form factor</b>	Low-profile
<b>Cable type supported</b>	Dual-LC optical
<b>Maximum distance (cable type)</b>	250 m (50 µm/125 µm) 150 m (62.5 µm/125 µm)

## Notes

- Your Matrox graphics hardware is 100% VGA compatible and supports all VESA standards: VBE 2.0 (Super VGA modes), DPMS (energy saving), and DDC-2B (Plug-and-Play monitor).
- To get the most of your Matrox product, we recommend using the highest color palette setting (a 32-bit color palette) for all your displays.

- The display resolutions and refresh rates available depend on your Matrox graphics hardware, display driver, software monitor settings, and monitor. For information on the capabilities of your monitor, see your monitor documentation.
- If you're using multiple monitors, your Matrox hardware uses the same display resolution and monitor settings for all your monitors. This display resolution and monitor settings (such as refresh rate) are dependent on your operating system and your display driver.
- If you're using BNC connectors with a Plug-and-Play monitor, the Plug-and-Play feature of your monitor can't be used. To use the Plug-and-Play feature of your monitor, instead of the BNC connectors, use the 15-pin connector at the back of your monitor.

### Supported VESA modes (main display)

In the table below, VESA modes supported by your Matrox graphics hardware are indicated by a VESA mode number. Many Super VGA DOS programs use VESA modes.

Display resolution	16 colors	256 colors	32 K colors	64 K colors	16 M colors
640 × 400	—	100	—	—	—
640 × 480	(VGA)	101	110	111	112
800 × 600	102	103	113	114	115
1024 × 768	—	105	116	117	118
1280 × 1024	—	107	119	11A	11B
1600 × 1200	—	11C	11D	11E	11F
			<b>Rows</b>		
<b>Columns</b>	<b>25</b>	<b>43</b>	<b>50</b>	<b>60</b>	
<b>80</b>	—	—	—	108	
<b>132</b>	109	10A	10B	10C	



---

# Customer support

---

## Matrox Web

Matrox is on the Internet with a World Wide Web (WWW) site. Our Web site has product literature, press releases, technical material, a sales office list, trade show information, and other relevant material.

- Visit the Matrox Graphics Web site at [www.matrox.com/graphics](http://www.matrox.com/graphics).
- E-mail questions or comments regarding the site to [webmaster@matrox.com](mailto:webmaster@matrox.com).

---

## If you have a problem

Matrox values your business and offers professional support for your Matrox product. For product support, contact your Matrox representative or visit our technical support Web site at [www.matrox.com/graphics/support/](http://www.matrox.com/graphics/support/).

### Information we need

Please give a complete description of the problem, and include:

- Matrox card serial number, model number, revision number, BIOS number, driver type and version, and memory address at which the Matrox card is installed.
- Computer brand and model name.
- Monitor brand and model name.
- Operating system, version, and service pack.
- Brand and model of any other cards and devices installed on your system.

### Program specific problems

If a problem appears with a specific program, please give us the following information:

- Display settings (color palette, display resolution, and so on) applied when the problem occurs.
- If possible, take note of the file and segment address that caused the problem.
- Detailed steps known to cause the bug, so we can reproduce it.

---

# Warranty

---

## A. Limited Warranty Statement

1. Matrox Graphics Inc. ("Matrox") warrants to the end-user customer, who provides adequate proof of purchase that Matrox hardware products purchased from Matrox authorized dealers will be free from defects in materials and workmanship for a period of one (1) year from the date of purchase. This warranty applies only to the original end-user purchaser and is non-transferable. Conditions and limitations of Matrox's warranty are stated below.
2. Matrox's limited warranty covers only those defects which arise as a result of normal use of the hardware and does not apply to any:
  - a. improper or inadequate maintenance;
  - b. incompatibilities due to the user's hardware or software applications with or in which the Matrox product interfaces;
  - c. product of a special or custom-made nature;
  - d. unauthorized modification or misuse;
  - e. improper installation, misapplication or negligence;
  - f. operation outside the product's environmental specifications;
  - g. improper site preparation or maintenance;
  - h. software;
  - i. other causes that do not relate to a product defect;
  - j. defects or damage suffered as a result of force majeure (including theft);
  - k. defects or damage suffered as a result of normal wear and tear, and/or
  - l. stolen goods.
3. If Matrox receives, during the applicable warranty period, notice of a defect in a warranted hardware product and the defective Matrox product in question, Matrox shall at its sole option, either repair or replace the product, and shall return the repaired product or a replacement product within a reasonable delay. The replacement product may not be new, provided that it has functionality at least equal to that of the product being replaced.
4. This warranty is valid in any country where Matrox hardware products are distributed by Matrox or its authorized dealers.
5. This Limited Warranty Statement gives the customer specific legal rights. The customer may also have other rights which vary from state to state in the United States, from province to province in Canada, and from country to country elsewhere in the world.

---

## B. Limitations of Warranty

1. NEITHER MATROX NOR ANY OF ITS THIRD PARTY SUPPLIERS MAKES ANY OTHER WARRANTY OF ANY KIND, WHETHER EXPRESSED OR IMPLIED, WITH RESPECT TO MATROX PRODUCTS. MATROX SPECIFICALLY DISCLAIMS (and the customer, by accepting the Matrox product, specifically accepts such disclaimer and waives) ALL OTHER WARRANTIES, EITHER EXPRESSED OR IMPLIED, INCLUDING BUT NOT LIMITED TO THE IMPLIED WARRANTIES OF MERCHANTABILITY AND FITNESS FOR A PARTICULAR OR INTENDED PURPOSE OR USE AND THE WARRANTY AGAINST LATENT DEFECTS, WITH RESPECT TO THE HARDWARE AND/OR SOFTWARE. MATROX FURTHER DISCLAIMS ANY WARRANTY THAT MATROX PRODUCTS, IN WHOLE OR IN PART, WILL BE FREE FROM INFRINGEMENT OF ANY THIRD PARTY INTELLECTUAL PROPERTY OR PROPRIETARY RIGHTS.
2. To the extent that this Limited Warranty Statement is inconsistent with the law of the locality where the customer purchases the Matrox product, this Limited Warranty Statement shall be deemed modified to be consistent with such local law. Under such local law, certain limitations of this Limited Warranty Statement may not apply to the consumer.
3. To the extent allowed by local law, the remedies provided in this Limited Warranty Statement are the customer's sole and exclusive remedies.

---

## C. Limitations of Liability

1. EXCEPT FOR THE OBLIGATIONS SPECIFICALLY SET FORTH IN THE LIMITED WARRANTY STATEMENT, IN NO EVENT SHALL MATROX BE LIABLE FOR:
  - a. any direct, indirect, special, incidental, consequential, foreseeable or unforeseeable, or punitive damages, whether based on contract, tort, delict or any other legal theory and whether advised of the possibility of such damages, and/or
  - b. damages arising from the loss of use, data, production revenue and/or profit of in connection with the Matrox product or any business interruption.
2. Without prejudice to the foregoing, any liability of Matrox for any breach of warranty shall be limited to the amount paid by the customer for the defective hardware in question.
3. To the extent allowed by local law, Matrox's entire liability and the customer's exclusive remedy shall be the repair or replacement of any defective product during the warranty period. Matrox does not offer any other warranty with respect to Matrox hardware or software or any other hardware or software.
4. Customer shall be responsible for all applicable taxes, duties and customs fees on any replacement unit, as well as all transport, insurance, storage and other charges incurred on all returned products.

---

## D. Obtaining Service

1. Verify that your Matrox product was installed and configured according to the information in its accompanying documentation.
2. Read the "Troubleshooting" information included with the Matrox product to see if you can solve the problem yourself.
3. If you are still experiencing difficulties, please contact your dealer where you purchased your Matrox product.
4. If you must return a Matrox product, leave the configuration as it was when you were using it, and leave all identification stickers on the product. Pack the product in its original box and return to your Matrox dealer where the product was purchased, together with your proof of purchase. Your Matrox dealer will return the product for you. Alternatively, if this first option is unavailable to you, you may contact the Matrox Technical Support group who will issue an Return Merchandise Authorization (RMA) number, upon receipt of adequate proof of purchase, and inform you of shipping instructions. DO NOT RETURN THE PRODUCT TO MATROX WITHOUT MATROX'S RMA NUMBER AND EXPRESS AUTHORIZATION.

---

## E. General

This limited warranty shall be governed by the laws of the Province of Quebec, Canada and the federal laws of Canada applicable therein and the courts of the Province of Quebec shall have exclusive jurisdiction to hear and decide any dispute instituted by the customer in connection with this limited warranty; the customer waives, by accepting the product, its rights to institute proceedings in connection with this warranty against Matrox in any jurisdiction other than Quebec.



---

# Software license agreement

**Single User Products** This Matrox software (the "Software") is copyrighted by Matrox Graphics Inc. All rights are reserved. The purchaser is granted a license to use the software only, subject to the following restrictions and limitations:

1. The license is for the original purchaser only, and is not transferable without written permission of Matrox.
2. The original purchaser may use the Software on a single computer owned or leased by the original purchaser. You may not use the Software on more than a single computer, even if you own or lease more than one computer, without written consent of Matrox.
3. The original purchaser may make back-up copies of the Software for his or her own use only, subject to the use limitations of this license.
4. The original purchaser may not engage in, nor permit third parties to engage in, any of the following:
  - Providing or disclosing the Software to third parties.
  - Providing use of the Software in a computer service business, network, time-sharing, multiple CPU or multi-user arrangement to users who are not individually licensed by Matrox.
  - Making alterations or copies of any kind in the Software (except as specifically permitted above).
  - Attempting to unassemble, de-compile or reverse engineer the Software in any way.
  - Granting sublicenses, leases, or other rights in the Software to others.
  - Making copies, or verbal or media translations, of the user's guide.
  - Making telecommunication data transmissions of the Software.

Matrox reserves the right to terminate this license if there is a violation of its term or default by the Original Purchaser. Upon termination, for any reason, all copies of the Software must be immediately returned to Matrox, and the Original Purchaser shall be liable to Matrox for any and all damages suffered as a result of the violation or default.

**Limited warranty** Matrox warrants to you, for a period of 90 days normal use from your date of purchase, that:

1. The CD/disks on which the software is furnished and the documentation are not defective.
2. The Software is properly recorded upon the CD/disks included.
3. The documentation is substantially complete and contains all the information Matrox deems necessary to use the software.
4. The Software functions substantially as described in the documentation.

Matrox's entire liability and your exclusive remedy shall be the replacement of any CD/Disks or documentation not meeting these warranties, which is returned to Matrox or an authorized dealer, together with a copy of your paid receipt. The above is the only warranty of any kind, either express or implied, including, but not limited to the implied warranties of merchantability and fitness for a particular use that is made by Matrox on this Licensed Software. In no event shall Matrox be liable to you or to any third party for consequential, special, indirect or incidental damages which you may incur as a result of using the licensed software, including, but not limited to, loss of data, or information of any kind which you may experience.

---

## **Thank you for choosing Matrox**

Please register online (<http://www.matrox.com/graphics/en/registration>) to be eligible for customer support, new product announcements, and information on special offers and upcoming events.

**matrox**<sup>®</sup>  
Graphics for Professionals

---

---

**USA**

---

**FCC Compliance Statement**

**Remark for the Matrox hardware products supported by this guide** This equipment has been tested and found to comply with the limits for a Class A digital device, pursuant to Part 15 of the FCC Rules. These limits are designed to provide reasonable protection against harmful interference when the equipment is operated in a commercial environment. This equipment generates, uses, and can radiate radio frequency energy and, if not installed and used in accordance with the instructions manual, may cause harmful interference to radio communications. Operation of this equipment in a residential area is likely to cause harmful interference in which case the user will be required to correct the interference at his own expense.

**WARNING** Changes or modifications to this unit not expressly approved by the party responsible for the compliance could void the user's authority to operate this equipment. The use of shielded cables for connection of the monitor to the card is required to meet FCC requirements.

---

---

**CANADA**

---

**(English) Industry Canada Compliance Statement**

**Remark for the Matrox hardware products supported by this guide** These digital apparatus does not exceed the Class A limits for radio noise emission from digital devices set out in the Radio Interference Regulation of Industry Canada.

**(Français) Conformité avec les exigences du ministère de l'Industrie Canada**

**Remarque sur les produits matériels Matrox couverts par ce guide** Ce present appareil numérique n'émet aucun bruit radioélectrique dépassant les limites applicables aux appareils numériques de Classe A prescrites dans le Règlement sur le brouillage radioélectrique édicté par Industrie Canada.

---

---

**USA**

---

**(English) FDA (Food and Drug Administration) requirements for Laser Products**

**Remark for the Matrox hardware products supported by this guide** This product includes a 850 nm Laser Product compliant to 21CFR Subpart J Class 1.

---

---

**JAPAN**

---

**VCCI Compliance Statement**

**Remark for the Matrox hardware products supported by this guide** This is a Class A product based on the standard of the Voluntary Control Council for Interference by Information Technology Equipment (VCCI). If this equipment is used in a domestic environment, radio disturbance may occur, in which case, the user may be required to take corrective actions.

この装置は、情報処理装置等電波障害自主規制協議会（V C C I）の基準に基づくクラス A 情報技術装置です。この装置を家庭環境で使用すると電波妨害を引き起こすことがあります。この場合には使用者が適切な対策を講ずるよう要求されることがあります。

---

---

**EUROPE**

---

**(English) European user's information - Declaration of Conformity**

**Remark for the Matrox hardware products supported by this guide** These devices comply with EC Directive 89/336/EEC for a Class A digital device. They have been tested and found to comply with EN55022/CISPR22 and EN55024/CISPR24. In a domestic environment these products may cause radio interference in which case the user may be required to take adequate measures. To meet EC requirements, shielded cables must be used to connect the monitor and other peripherals to the card. These products have been tested in a typical class A compliant host system. It is assumed that these products will also achieve compliance in any class A compliant system.



## **(Français) Informations aux utilisateurs Européens – Déclaration de conformité**

**Remarque sur les produits matériels Matrox couverts par ce guide** Ces unités sont conformes à la directive communautaire 89/336/EEC pour les unités numériques de classe A. Les tests effectués ont prouvé qu'elles sont conformes aux normes EN55022/CISPR22 et EN55024/CISPR24. Le fonctionnement de ces produits dans un environnement résidentiel peut causer des interférences radio, dans ce cas l'utilisateur peut être amené à prendre les mesures appropriées. Pour respecter les impératifs communautaires, les câbles de connexion entre le moniteur ou autres périphériques et la carte doivent être blindés. Ces produits ont été testés dans un système hôte typique compatible classe A. On suppose qu'ils présenteront la même compatibilité dans tout système compatible classe A.

## **(Deutsch) Information für europäische Anwender – Konformitätserklärung**

**Anmerkung für die Matrox Hardware-Produktunterstützung durch dieses Handbuch** Diese Geräte entsprechen EC Direktive 89/336/EEC für ein digitales Gerät Klasse A. Sie wurden getestet und entsprechen demnach EN55022/CISPR22 und EN55024/CISPR24. In einer Wohnumgebung können diese Produkte Funkinterferenzen erzeugen, und der Benutzer kann genötigt sein, entsprechende Maßnahmen zu ergreifen. Um EG-Anforderungen zu entsprechen, müssen zum Anschließen des Monitors und anderer Peripheriegeräte an die Karte abgeschirmte Kabel verwendet werden. Diese Produkt wurden in einem typischen, der Klasse A entsprechenden, Host-System getestet. Es wird davon ausgegangen, daß diese Produkte auch in jedem Klasse A entsprechenden System entsprechend funktionieren.

## **(Italiano) Informazioni per gli utenti europei – Dichiarazione di conformità**

**Nota per i prodotti hardware Matrox supportati da questa guida** Questi dispositivi sono conformi alla direttiva CEE 89/336/EEC relativamente ai dispositivi digitali di Classe A. Sono stati provati e sono risultati conformi alle norme EN55022/CISPR22 e EN55024/CISPR24. In un ambiente domestico, questi prodotti possono causare radiointerferenze, nel qual caso all'utente potrebbe venire richiesto di prendere le misure adeguate. Per soddisfare i requisiti CEE, il monitor e le altre periferiche vanno collegati alla scheda grafica con cavi schermati. Questi prodotti sono stati provati in un tipico sistema host conforme alla classe A. Inoltre, si dà per scontato che questi prodotti acquisiranno la conformità in qualsiasi sistema conforme alla classe A.

## **(Español) Información para usuarios europeos – Declaración de conformidad**

**Observación referente a los productos de hardware de Matrox apoyados por este manual** Estos dispositivos cumplen con la directiva de la CE 89/336/EEC para dispositivos digitales de Clase A. Dichos dispositivos han sido sometidos a prueba y se ha comprobado que cumplen con las normas EN55022/CISPR22 y EN55024/CISPR24. En entornos residenciales, estos productos pueden causar interferencias en las comunicaciones por radio; en tal caso el usuario deberá adoptar las medidas adecuadas. Para satisfacer las disposiciones de la CE, deberán utilizarse cables apantallados para conectar el monitor y demás periféricos a la tarjeta. Estos productos han sido sometidos a prueba en un típico sistema anfitrión que responde a los requisitos de la clase A. Se supone que estos productos cumplirán también con las normas en cualquier sistema que responda a los requisitos de la clase A.

---

### **EUROPE**

---

## **(English) European user's information – Directive on Waste Electrical and Electronic Equipment (WEEE)**

Please refer to the Matrox Web site ([www.matrox.com/environment/weee](http://www.matrox.com/environment/weee)) for recycling information.



## **(Français) Informations aux utilisateurs Européens – Règlementation des déchets d'équipements électriques et électroniques (DEEE)**

Se référer au site Web de Matrox ([www.matrox.com/environment/weee](http://www.matrox.com/environment/weee)) pour l'information concernant le recyclage.

## **(Deutsch) Information für europäische Anwender – Europäische Regelungen zu Elektro- und Elektronikgeräten (WEEE)**

Bitte wenden Sie sich an der Matrox-Website ([www.matrox.com/environment/weee](http://www.matrox.com/environment/weee)) für Recycling-Informationen.

## **(Italiano) Informazioni per gli utenti europei – Direttiva sui rifiuti di apparecchiature elettriche ed elettroniche (RAEE)**

Si prega di riferirsi al sito Web Matrox ([www.matrox.com/environment/weee](http://www.matrox.com/environment/weee)) per le informazioni di riciclaggio.

## Avertissement sur l'épilepsie

**À lire avant toute utilisation d'un jeu vidéo par vous-même ou votre enfant** Certaines personnes sont susceptibles de faire des crises d'épilepsie ou d'avoir des pertes de conscience à la vue de certains types de lumières clignotantes ou d'éléments fréquents dans notre environnement quotidien. Ces personnes s'exposent à des crises lorsqu'elles regardent certaines images télévisées ou qu'elles jouent à certains jeux vidéo. Ces phénomènes peuvent apparaître alors même que le sujet n'a pas d'antécédent médical ou n'a jamais été confronté à une crise d'épilepsie.

Si vous-même ou un membre de votre famille avez déjà présenté des symptômes liés à l'épilepsie (crise ou perte de conscience) en présence de stimulations lumineuses, veuillez consulter votre médecin avant toute utilisation.

Nous conseillons aux parents d'être attentifs à leurs enfants lorsqu'ils jouent avec des jeux vidéo. Si vous-même ou votre enfant présentez un des symptômes suivants: vertige, trouble de la vision, contraction des yeux ou des muscles, perte de conscience, trouble de l'orientation, mouvement involontaire ou convulsion, veuillez immédiatement cesser de jouer et consultez un médecin.

**Précautions à prendre dans tous les cas pour l'utilisation d'un jeu vidéo** Ne vous tenez pas trop près de l'écran.

- Jouez à bonne distance de l'écran de TV et aussi loin que le permet le cordon de raccordement.
- Utilisez de préférence les jeux de vidéo sur un écran de petite taille.
- Évitez de jouer si vous êtes fatigué ou si vous manquez de sommeil.
- Assurez-vous que vous jouez dans une pièce bien éclairée.
- En cours d'utilisation, faites des pauses de dix à quinze minutes toutes les heures.

## MACROVISION

**(English)** A. Apparatus claims of US patent numbers 4,631,603, 4,577,216, 4,819,098, and 4,907,093 licensed for limited viewing uses only. B. This product incorporates copyright protection technology that is protected by method claims of certain U.S. patents and other intellectual property rights owned by Macrovision Corporation and other rights owners. Use of this copyright protection technology must be authorized by Macrovision Corporation, and is intended for home and other limited viewing uses only unless otherwise authorized by Macrovision Corporation. Reverse engineering or disassembly is prohibited.

**(Français)** A. Demande de numéros de brevet aux États-Unis 4,631,603, 4,577,216, 4,819,098 et 4,907,093 avec licence pour des utilisations limitées d'affichage uniquement. B. Ce produit bénéficie d'une technologie de protection de droits d'auteur mis en œuvre par des demandes de brevets américains et d'autres droits de propriété intellectuelle de Macrovision Corporation et d'autres propriétaires de droits. L'utilisation de cette technologie de protection de droits d'auteur doit être autorisée par Macrovision Corporation, et est destinée à des utilisations domestiques ou de consultation limitée autorisées par Macrovision Corporation. L'ingénierie à rebours ou le désassemblage est interdit.

**(Deutsch)** A. Patentansprüche für Geräte mit US-Patentnummern 4.631.603, 4.577.216, 4.819.098 und 4.907.093, die nur für eingeschränkte Anzeigen lizenziert sind. B. Dieses Produkt enthält urheberrechtlich geschützte Technologie, die durch Patentansprüche bestimmter US-Patente und andere geistige Eigentumsrechte der Macrovision Corporation und anderen Eigentümern von Rechten geschützt sind. Die Verwendung dieser urheberrechtlich geschützten Technologie muß von der Macrovision Corporation genehmigt werden und darf nur zum Abspielen für private Zwecke und anderen Einschränkungen unterliegende Zwecke eingesetzt werden, sofern keine Genehmigung für andere Zwecke von Macrovision vorliegt. Reverse Engineering und Disassemblieren ist untersagt.

**(Italiano)** A. Diritti di brevetto USA n. 4,631,603, 4,577,216, 4,819,098 e 4,907,093 in licenza solamente per la visualizzazione limitata. B. Questo prodotto incorpora una tecnologia per la protezione dei diritti d'autore che è coperta da brevetti USA e da altri diritti di proprietà intellettuale detenuti da Macrovision Corporation e da altri titolari. L'utilizzo di questa tecnologia di protezione dei diritti d'autore deve essere autorizzato da Macrovision Corporation, ed è intesa solamente per la visione casalinga ed altri utilizzi limitati salvo diversa autorizzazione di Macrovision Corporation. È proibito il disassemblaggio o procedimenti di reverse engineering.

**(Español)** A. Aparato patentado en los EE.UU. con los números siguientes. 4,631,603, 4,577,216, 4,819,098 y 4,907,093 con licencia para visualización limitada únicamente. B. Este producto incorpora una tecnología de protección por Copyright mediante la demanda de ciertas patentes en los EE.UU. y otros derechos de propiedad intelectual de Macrovision Corporation y otros propietarios de los derechos. La utilización de esta tecnología de protección por Copyright debe ser autorizada por Macrovision Corporation y está destinada a su utilización doméstica y otras formas de visualización limitada, a menos que Macrovision Corporation exprese lo contrario. Está prohibida la utilización de técnicas de ingeniería inversa y el desmontaje.

## **Trademarks • Marques déposées • Warenzeichen • Marchi registrati • Marcas registradas**

Matrox Electronic Systems Ltd. /

Matrox Graphics Inc.....	Matrox®, DualHead®, CenterWINDOW™, DVDMax™, GigaColor™, ASM™, ATC™, AuroraVX3mp™, AuroraVX™, DFC™, DLC™, DualHead2Go™, Epica™, Equinox™, Extio™, G400™, G450™, G550™, ICP™, Marvel™, MED2mp™, MED2mp-DVI™, MED3mp-DVI™, MED4mp™, MED5mp-DVI™, MED5mp™, Millennium™, MMS™, Multi-Monitor Series™, MultiDesk™, P650™, P650™ Low-profile, P690™, P750™, Parhelia™, Parhelia™ APVe, Parhelia-512™, Parhelia-LX™, Parhelia HR256™, PJ4OLP™, PowerDesk™, PowerSpace™, QID™, Quad Information Display™, RAD™, Quick Connect™, MaxVIEW™, MGA™, MGA-G100™, MGA-G200™, Onyx™, PixelTOUCH™, PrecisionCAD™, Precision SGT™, QuickDesk™, RAD2mp™, RAD3mp™, RAD9mp™, RAD PCI™, RAD PCIe™, RADQ2mp™, Rainbow Runner®, SonoVUE™, SPECTRUM™, TheatreVUE™, TripleHead™, TripleHead2Go™, VDA™, Veos™, Xenia™
Adobe Systems Inc. ....	Acrobat®, Reader®
Apple Computer, Inc. ....	Apple®, Mac®, Mac OS®
Belden Inc. ....	Belden®
Dolby Laboratories, Inc.....	Dolby®, Dolby Digital®
Intel Corporation .....	Intel®, Pentium®
International Business Machines Corporation .....	IBM®, VGA®
Macrovision Corporation.....	Macrovision™
Microsoft Corporation .....	Aero™, Direct3D®, DirectDraw®, DirectShow™, DirectX™, Microsoft®, MS-DOS®, PowerPoint®, Windows®, Windows NT®, Windows Server®, Windows Vista™
Silicon Graphics, Inc. ....	OpenGL®
Silicon Image, Inc.....	PanelLink™
U.S. Environmental Protection Agency.....	Energy Star™

• (English) Registered trademarks are registered in the United States, Canada, and/or other countries. All other nationally and internationally recognized trademarks and tradenames are hereby acknowledged. • (Français) Les marques déposées sont déposées aux États-Unis, au Canada et/ou dans d'autres pays. Toutes les autres marques et tous les autres noms déposés reconnus nationalement ou internationalement sont également reconnus par les présentes. • (Deutsch) Die eingetragenen Warenzeichen sind in den USA, Kanada und/oder anderen Ländern registriert. Alle sonstigen national und international bekannten Warenzeichen und Produktnamen werden hiermit anerkannt. • (Italiano) I marchi registrati sono registrati negli Stati Uniti, in Canada e/o in altri paesi. Tutti gli altri marchi registrati e nomi commerciali riconosciuti a livello nazionale e internazionale sono ugualmente riconosciuti qui. • (Español) Las marcas registradas están registradas en los EE.UU., Canadá u otros países. Por medio del presente se reconocen todas las demás marcas y nombres comerciales reconocidos a nivel nacional e internacional.

---

## **(English) Disclaimer**

THE INFORMATION IN THIS GUIDE IS SUBJECT TO CHANGE AT ANY TIME AND WITHOUT NOTICE.

Matrox Graphics Inc. reserves the right to make changes in specifications at any time and without notice. The information provided by this document is believed to be accurate and reliable. However, no responsibility is assumed by Matrox Graphics Inc. for its use; nor for any infringements of patents or other rights of third parties resulting from its use. No license is granted under any patents or patent rights of Matrox Graphics Inc.

---

## **(Français) Responsabilité**

LES INFORMATIONS CONTENUES DANS CE MANUEL PEUVENT ÊTRE MODIFIÉES À TOUT MOMENT SANS PRÉAVIS.

Matrox Graphics Inc. se réserve le droit de modifier les spécifications à tout moment sans préavis. Les informations contenues dans ce manuel sont reconnues comme étant précises et fiables. Cependant, Matrox Graphics Inc. n'assume aucune responsabilité concernant leur utilisation, ni leur contrefaçon ou les autres droits des tiers résultant de leur utilisation. Aucune licence n'est accordée sur aucun brevet ou droit d'exploiter un brevet de Matrox Graphics Inc.

---

## **(Deutsch) Haftungsablehnungserklärung**

DIE IN DIESEM HANDBUCH ENTHALTENEN ANGABEN UND DATEN KÖNNEN OHNE VORHERIGE ANKÜNDIGUNG GEÄNDERT WERDEN.

Die Matrox Graphics Inc. behält sich das Recht vor, jederzeit und ohne Ankündigung technische Daten zu ändern. Es wird keine Garantie für die Richtigkeit des Inhalts dieses Handbuchs übernommen. Weiterhin übernimmt die Matrox Graphics Inc. keinerlei Verantwortung für die Benutzung dieses Handbuchs, weder für Verstöße gegen Patentrechte noch für andere Rechte Dritter, die aus seinem Gebrauch resultieren mögen. Es werden keinerlei Lizenzrechte gewährt für sämtliche Patente oder Patentrechte der Matrox Graphics Inc.

---

## **(Italiano) Discrezionalità**

LE INFORMAZIONI CONTENUTE NEL PRESENTE DOCUMENTO SONO SOGGETTE A MODIFICHE SENZA PREAVVISO.

Matrox Graphics Inc. si riserva il diritto di apportare variazioni di qualunque tipo alle specifiche tecniche in qualunque momento e senza alcun preavviso. Le informazioni contenute in questa documentazione sono ritenute corrette e attendibili. In ogni caso, non è imputabile a Matrox Graphics Inc. nessuna responsabilità per il loro utilizzo, come nessuna violazione a brevetti o diritti di altri produttori derivante dal loro utilizzo.

---

## **(Español) Renuncia**

LA INFORMACION QUE CONTIENE EL PRESENTE MANUAL ESTA SUJETA A CAMBIOS SIN PREVIO AVISO EN CUALQUIER MOMENTO.

Matrox Graphics Inc. se reserva el derecho de realizar modificaciones en cualquier momento y sin previo aviso. La información facilitada en este documento se considera que es exacta y fiable. Sin embargo, Matrox Graphics Inc. no asume ninguna responsabilidad por su uso; ni por cualquier infracción de patentes u otros derechos de terceras partes derivados de su uso. No se concede ninguna licencia bajo cualesquiera patentes o derechos de patentes de Matrox Graphics Inc.

**Matrox Graphics Inc.**

1055 Saint Regis Boulevard  
Dorval, Quebec, Canada H9P 2T4

North America: 1-800-361-1408

International: (514) 822-6000

Email: [graphics@matrox.com](mailto:graphics@matrox.com)

Web site: [www.matrox.com/graphics](http://www.matrox.com/graphics)

Technical support:

[www.matrox.com/graphics/support](http://www.matrox.com/graphics/support)

To locate the sales office nearest you, visit

[www.matrox.com/graphics/contact](http://www.matrox.com/graphics/contact)

**matrox**<sup>®</sup>  
Graphics for Professionals



## Free Manuals Download Website

<http://myh66.com>

<http://usermanuals.us>

<http://www.somanuals.com>

<http://www.4manuals.cc>

<http://www.manual-lib.com>

<http://www.404manual.com>

<http://www.luxmanual.com>

<http://aubethermostatmanual.com>

Golf course search by state

<http://golfingnear.com>

Email search by domain

<http://emailbydomain.com>

Auto manuals search

<http://auto.somanuals.com>

TV manuals search

<http://tv.somanuals.com>