

Amana[®]

DB10

Bottom Freezer

Refrigerator

Trim Kit

Installation

Instructions

Keep these instructions for future reference. If the refrigerator changes ownership, be sure this manual accompanies refrigerator.

Contents

Introduction 2
 Parts list 2
 Decorator Panel Dimensions 2
 Procedure 3

Decorator Panel Dimensions

Listed below are required height x width dimensions for decorator panels. Panels are not supplied with this kit and can be purchased locally.

- If panels are less than 1/4" (6 mm) thick, spacers are required behind panels.
- If panels are more than 1/4" (6 mm) thick, panel edges must be routed to reduce thickness to 1/4" (6 mm).
- If raised panels are used, verify the raised portion of panel does not impede handle grasp area.

Introduction



RECOGNIZE THIS SYMBOL AS A SAFETY PRECAUTION



Caution

To avoid personal injury, protect hands and arms. Trim pieces may have sharp edges.



Caution

To avoid personal injury or property damage, refrigerator panels should not weigh more than 30 pounds (14 kilograms) and freezer panels should not weigh more than 15 pounds (7 kilograms).

Included in this kit is trim necessary to install 1/4" inch (6 mm) thick decorator door panels. Read entire manual before installing panels. Confirm all parts listed are included in kit. If parts are missing, contact source from whom kit was purchased.

- Mechanical experience is required to install trim kit.
- If unable to solve a problem during installation, contact source from whom kit was purchased.

DB10 Kit Panel Dimensions

Refrigerator Door	40" x 35 5/8" 1016 mm x 905 mm
Freezer Door	23 11/16" x 35 5/8" 602 mm x 905 mm

Parts List

Door trim kit number	DB10S	DB10W	DB10E
Color	Silver	White	Black
Description	Part Number		
Top refrigerator door trim	12085209	12085210	12085212
Handle side refrigerator door trim	12085109	12085110	12085112
Side refrigerator door trim	12085113	12085114	12085116
Bottom refrigerator door trim	12079401	12079402	12079404
Top freezer door trim	12085213	12085214	12085216
Side freezer door trim (2)	12085105	12085106	12085108
Bottom freezer door trim	12079401	12079402	12079404
Bottom trim screws (4)	M0211533	M0211533	M0211533
Refrigerator door stop	12051004	---	---

Procedure



Caution

To avoid property damage, protect soft vinyl or other flooring with cardboard, rugs, or other protective material.

1. Remove screw caps on refrigerator and freezer handles by placing screwdriver, blade end covered with masking tape, in notched area then lifting up.
2. Remove door handles by removing screws with a Phillips screwdriver.
3. Remove plugs from top and sides of doors by placing screwdriver, blade end covered with masking tape, underneath plugs and lifting up.
5. Remove top hinge cover by lifting back and sliding forward. Remove top hinge by removing screws with a 5/16" hex nut driver.
6. Remove refrigerator door by lifting while opening. This will release refrigerator door from center hinge pin. Place door on a soft, flat surface.
7. Lift door closure off center hinge pin. Remove center hinge pin with a 9/32" hex nut driver.
8. Remove freezer door by lifting while opening. This will release freezer door from bottom hinge pin. Place door on a soft, flat surface.
9. Confirm doors are clean and dry.
10. Remove doors stop from bottom of doors by removing screws with a Phillips screwdriver. Remove remaining screws from bottom of doors.

Important

- Permanent, double-sided tape is used to attach trim pieces. Before removing paper backing, check placement of trim pieces on door. Trim pieces may be damaged if adjustment or removal is attempted after installation.

Freezer Door

11. Install bottom trim by installing screws in inside holes. Reinstall door stop and remaining screws. Bottom freezer door trim will have 6 sets of round holes.
12. Align top and hinge side trim on door. After checking placement, peel off paper backing and press trim in place. Top freezer door trim will have 4 holes for handle. Hinge side door trim will be cupped on both ends.

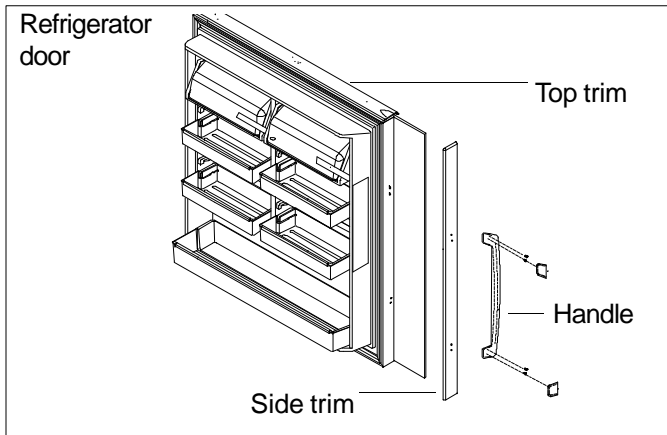
13. Install freezer door by positioning door on bottom hinge pin.
14. Install center hinge pin and door closure.
15. Install freezer door decorator panel by sliding panel in from handle side of freezer door.
16. Align handle side freezer door trim. After verifying placement, peel off paper backing and press trim in place. Handle side freezer trim will be cupped on both ends.
17. Open door 180° then close door to confirm panel and trim fit properly.

Refrigerator Door

Important

- Permanent, double-sided tape is used to attach trim pieces. Before removing paper backing, check placement of trim pieces on door. Trim pieces may be damaged if adjustment or removal is attempted after installation.
19. Install new bottom door trim by installing screws in inside holes. Install door stop in previous location by installing screws. Install and tighten remaining screws. Bottom refrigerator door trim will have 6 round holes. DB10S kit comes with a silver door stop for the refrigerator door.
 20. Align top and hinge side door trim on door. After verifying placement, peel off paper backing and press trim in place. Top refrigerator door trim will have no holes in it. Hinge side refrigerator door trim will be cupped on both ends.
 21. Install top hinge bracket on top of refrigerator by installing rear screws loosely with a 5/16" hex nut driver. Position refrigerator door on door closure. Install remaining screw and tighten all screws. Verify handle side of door is approximately 1/8" higher than the hinge side. Door lowers when loaded with food and when panel is installed. Replace top hinge cover by snapping on.
 22. Install refrigerator door decorator panel by sliding panel in from handle side of refrigerator door.

-
23. Align handle side door trim. After verifying placement, peel off paper backing and press trim in place. Handle side trim will have 4 holes for screws to mount the handle, and cupped on both ends.



29. Open door 180° then close door to confirm panel and trim fit properly.
30. Replace handles by positioning handles on door. Insert and tighten screws with a Phillips screwdriver.
31. Replace screw caps on refrigerator and freezer handles by snapping on.

Free Manuals Download Website

<http://myh66.com>

<http://usermanuals.us>

<http://www.somanuals.com>

<http://www.4manuals.cc>

<http://www.manual-lib.com>

<http://www.404manual.com>

<http://www.luxmanual.com>

<http://aubethermostatmanual.com>

Golf course search by state

<http://golfingnear.com>

Email search by domain

<http://emailbydomain.com>

Auto manuals search

<http://auto.somanuals.com>

TV manuals search

<http://tv.somanuals.com>