

INSTALLATION INSTRUCTIONS

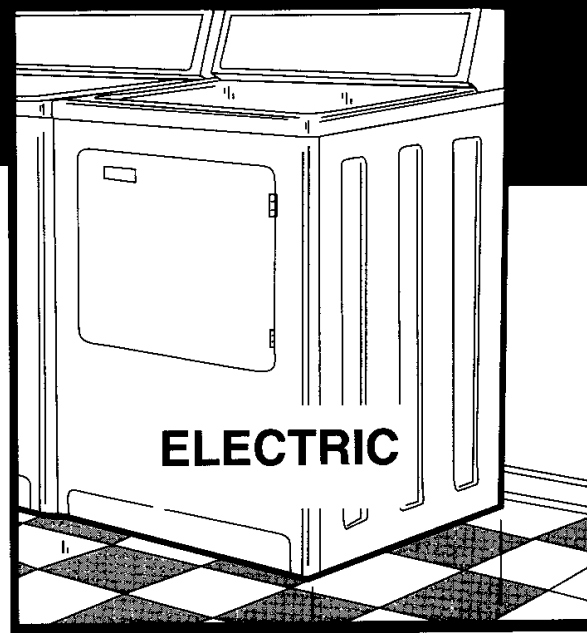
AUTOMATIC DRYER

PLEASE READ ALL INSTALLATION INSTRUCTIONS AND REQUIREMENTS BEFORE INSTALLING

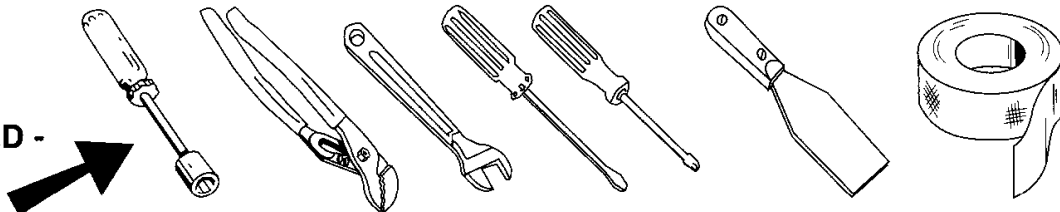
⚠ WARNING

FOR YOUR SAFETY

Do not store or use gasoline or other flammable vapors or liquids in the vicinity of this or any other appliance.



- TOOLS REQUIRED -



**3/8" DEEP WELL DRIVER
1/4" DRIVER**

**CHANNEL LOCK PLIERS
OR ADJUSTABLE WRENCH**

**SCREWDRIVER
(BLADE & TORX)**

PUTTY KNIFE

DUCT TAPE

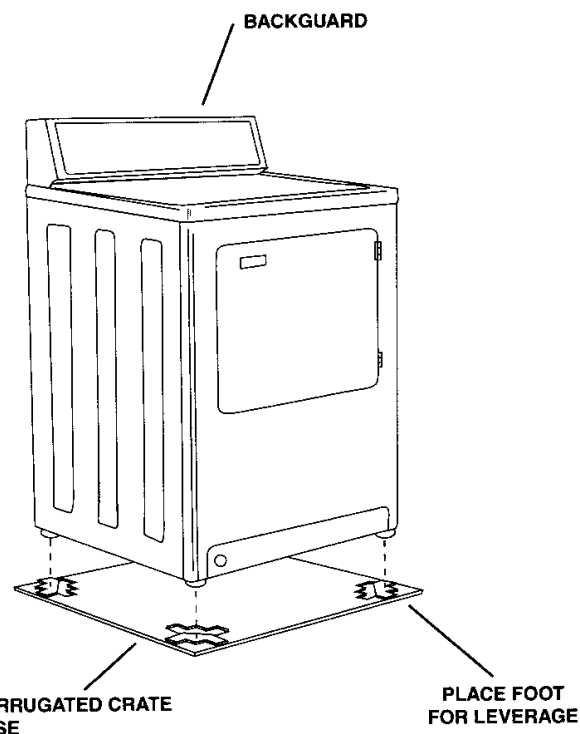
INSTALLING YOUR NEW DRYER

FOR YOUR SAFETY AND THE PROPER OPERATION OF YOUR NEW DRYER, THE DRYER MUST BE INSTALLED IN ACCORDANCE WITH ALL THE INSTALLATION REQUIREMENTS.

All literature should be removed from inside dryer and saved for future reference.

NOTE: DO NOT RAISE OR LOWER THE DRYER BY THE BACKGUARD.

1. To remove the corrugated crate base, place your foot on the base close to a leveling foot. Pushing down firmly with your foot, tilt the dryer away from you.
2. Repeat process with all leveling feet (4). Remove excess base by hand.



INSTALLATION REQUIREMENTS

PLEASE READ All Installation Instructions and Requirements Before Installing Power Cord.

IT IS RECOMMENDED THAT A QUALIFIED ELECTRICIAN OR SERVICE TECHNICIAN INSTALL YOUR DRYER.

LOCATION

This clothes dryer is designed so that it can be installed in most locations in the home. The dryer may even be installed in an unheated indoor location, such as a utility room or building. However, with models having automatic dry cycles, the **TIME DRY SETTING SHOULD BE USED WHEN THE ROOM TEMPERATURE DROPS BELOW 50 DEGREES FAHRENHEIT OR (10 DEGREES C.), AS THE AUTOMATIC CYCLE MAY NOT SHUT OFF.**

DO NOT INSTALL THE DRYER ON A CARPETED FLOOR.

DO NOT INSTALL OR STORE THE DRYER WHERE IT MAY BE EXPOSED TO THE WEATHER OR DRIPPING WATER. IF IT IS EVER EXPOSED TO WATER, HAVE A QUALIFIED TECHNICIAN CHECK IT BEFORE USING.

THE INSTALLATION MUST BE MADE WITH ADEQUATE CLEARANCE TO PERMIT SERVICING.

In ordinary installations enough air will be available for proper operation of the dryer. However, if the dryer is installed in a mobile home, a closet or a tightly sealed room, provisions should be made for at least 18 square inches of ventilation area. Air openings measuring a minimum 3 in. by 3 in. should be provided at the top and bottom of the closet door. Ordinarily, louvered doors will satisfy the ventilation requirements. Dryers installed in a bedroom, bathroom, or closet must be exhausted outdoors.

ELECTRICAL REQUIREMENTS

This phase of the installation should be done by a qualified service technician or electrician in accordance with the National Electrical Code and all local codes and ordinances.

A separate circuit must be provided from the main service entrance panel (fuse box) to the dryer. The circuit must be a 3 or 4 wire, 120/240 volt, 60 Hz, single phase, AC circuit. Each of the 120 volt line wires (line 1 and 2) of this circuit must be protected by 30 ampere time delay fuses or circuit breakers. Do not fuse the neutral line or the ground line (if provided).

All wires (including neutral and ground if provided) of the dryer circuit must be No. 10 gauge copper wire for up to 40 ft. lengths and No. 8 gauge copper wire for up to 60 ft. lengths. **NEVER USE A TWO WIRE CABLE WITH AN UNINSULATED GROUND WIRE TO CONNECT THE DRYER.**

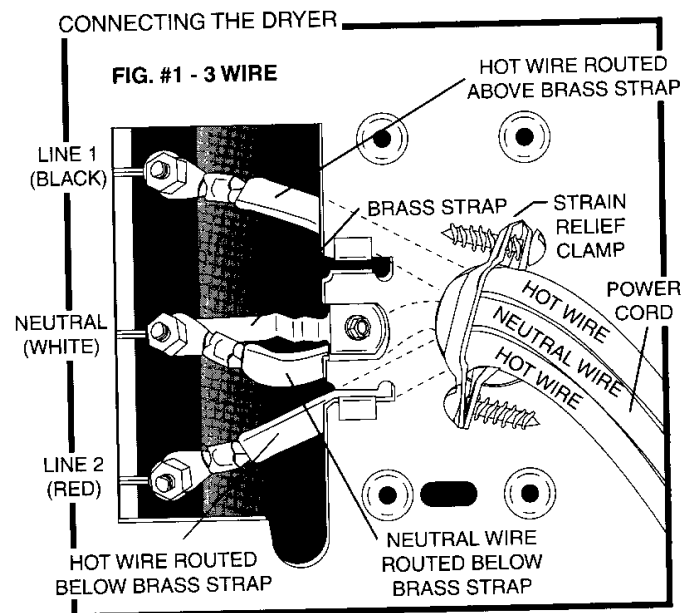
The National Electric Code requires that a means to disconnect all ungrounded conductors (line 1 and line 2) to the dryer be provided for service. If a power cord and receptacle are provided this requirement is met. If other means are used a suitable switch or circuit breaker must be installed within sight of the dryer.

Dryers installed in manufactured (mobile) homes must be connected with 4 conductor type SRD or SRDT cord to a 3 pole, 4 wire grounding type receptacle; by metal-clad cable; or suitable conductors enclosed in flexible metal conduit. If using metal-clad cable or flexible conduit, leave at least 3 feet free to permit moving the dryer.

Where permitted by local codes, a flexible power cord (pig-tail) may be connected to the dryer. A receptacle should be installed in a separate circuit connected to the main service entrance panel for this type of installation. See Figure #3. Use only a 3 or 4 wire power cord kit, including strain relief, listed by U.L. for use with dryers. The power cord must have a rating of 30 amperes, 120/240 volts AC minimum and be terminated in closed loop or open spade lugs with upturned ends. The attachment plug of the power cord and the receptacle to which it will be connected must have a minimum current rating of 30 amps and have matching configurations. Typical 30 ampere configurations are illustrated in figure #3.

GROUNDING INSTRUCTIONS

This appliance **MUST BE CONNECTED TO A GROUNDED METAL PERMANENT WIRING SYSTEM**; or an equipment-grounding conductor must be run with the circuit conductors and connected to the equipment-grounding terminal or lead on the appliance.



THE NATIONAL ELECTRICAL CODE AND ALL LOCAL CODES AND ORDINANCES MUST BE OBSERVED WHEN CONNECTING THIS DRYER.

1. To gain access to the terminal block, remove the supply cord cover plate attached to the rear of the dryer.
2. Install a suitable strain relief clamp or connector in the strain relief hole located adjacent to the terminal block.

3. Route the power cord (pigtail) or cable conductors through the strain relief clamp.

CAUTION - The conductors should not extend into the dryer more than necessary to make the electrical connections.

4. Refer to the Typical Electrical connections listed below and make the electrical connections as instructed. We recommend that a qualified service technician or electrician be consulted before connecting the dryer.

NOTE: DO NOT REMOVE THE INTERNAL GROUND WIRE OR BRASS STRAP EXCEPT WHERE INSTRUCTED AND REQUIRED BY LOCAL CODES AND ORDINANCES OF YOUR AREA.

5. Check to be certain all conductors are correctly installed. Then securely tighten all terminal nuts and the ground screw.
6. Tighten the strain relief clamp.
7. Replace the supply cord cover plate.
8. Complete the dryer installation.

TYPICAL ELECTRICAL CONNECTIONS

3-WIRE SYSTEM WITH GROUNDED NEUTRAL - Connect power cord conductors to the line 1, neutral, and line 2 terminals of the terminal block as shown in Figure #1.

NOTE: Some 3-wire flat type power cords are not color coded. When using this type of power cord, connect the center conductor to the Neutral, connect one of the outside conductors to line 1, and connect the other outside conductor to line 2.

3-WIRE SYSTEM WITH GROUNDED METAL CLAD CABLE OR RIGID METAL CONDUIT - Remove the internal green ground wire or brass strap from the Neutral terminal and the ground screw. Connect the power cable conductors to the line 1, Neutral, and line 2 terminals as shown in Figure #2.

NOTE: An approved grounding type strain relief clamp or conduit connector must be installed for this type of installation.

4-WIRE SYSTEM - Remove internal green ground wire or brass strap from the Neutral terminal and the ground screw. Connect the power cord green grounding conductor to the ground screw. Connect the remaining power cord conductors to the line 1, Neutral, and line 2 terminals as shown in Figure #2.

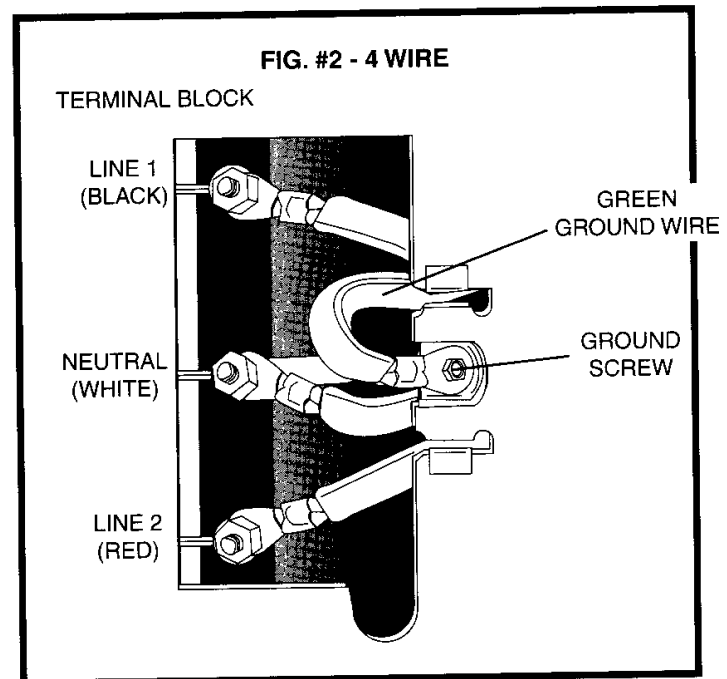
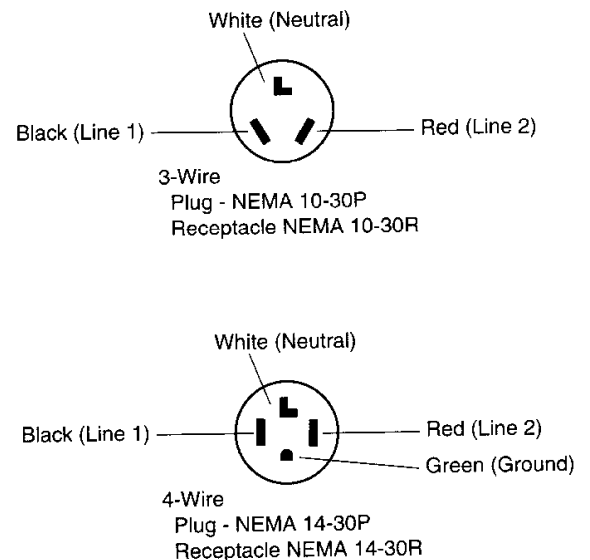
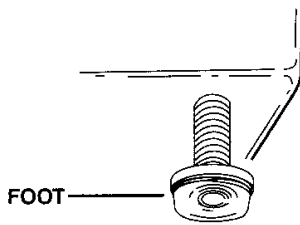


FIG. #3 Typical Installation With Flexible Power Cord (Pigtail)



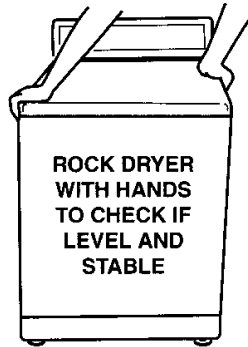
CAUTION BEFORE OPERATING YOUR DRYER READ ALL SAFETY PRECAUTIONS LISTED IN THE OPERATING INSTRUCTIONS.

1. LEVELING



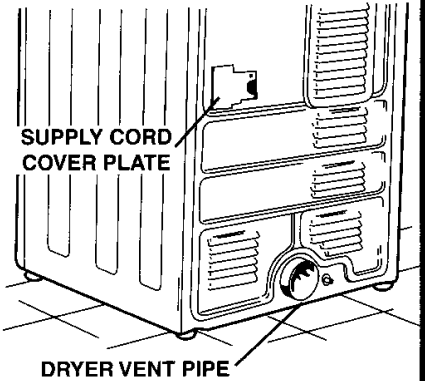
Set all leveling feet at same height. A minimum of 1/2" clearance between the machine and the floor is recommended. Adjust to match the height of your dryer.

2. STABILITY



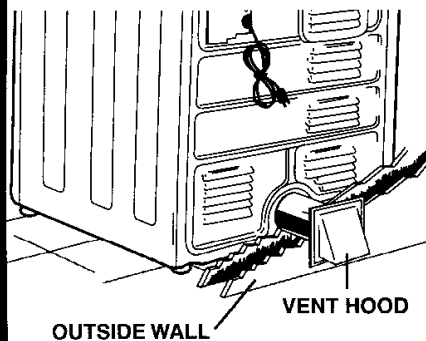
Place dryer in the location where it will be used. Check, by rocking dryer with hands on opposite corners, that all four (4) feet are in firm contact with the floor. If it rocks, adjust as needed.

3. EXHAUST VENTING



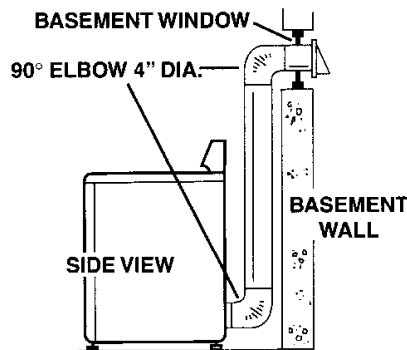
There are two (2) service connections to your dryer, all located on the back.

3A. OUTSIDE WALL



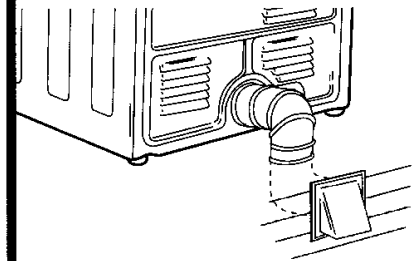
Attach dryer vent pipe to outside exhaust vent. Outside exhaust vent should fit over dryer vent pipe to avoid catching lint. Tape all joints with heat duct tape.

3B. BASEMENT WALL



In basements, the exhaust can be elevated by installing elbows to raise the vent hood above the ground level.

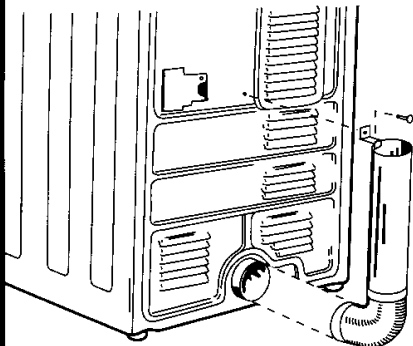
3C. FLOOR EXHAUSTING



If space permits, a 4" dia. elbow pointed downward through the floor may be used. If not possible, the dryer may be exhausted through the bottom as illustrated later in this manual.

3D. INDOOR EXHAUSTING

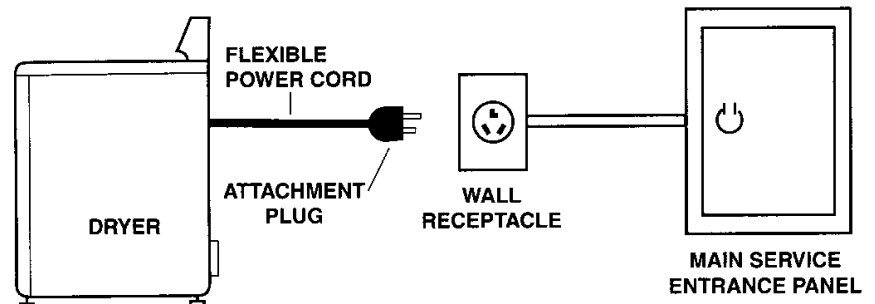
(NOT RECOMMENDED unless conditions on page 6 are met.)



When exhausting indoors, use the indoor exhaust kit and maintain a minimum clearance of 6 inches between the rear of the dryer and any adjacent wall. Read further instructions in this manual. Page 6.

4. ELECTRICAL CONNECTION

INSTALLATION WITH POWER CORD (PIGTAIL).



This appliance must be connected to a grounded metal, permanent wiring system; or an equipment - grounding conductor must be run with the circuit conductors and connected to the equipment - grounding terminal or lead on the appliance.

EXHAUST VENTING REQUIREMENTS



WARNING

FIRE HAZARD

NEVER EXHAUST INTO A CHIMNEY, DUCT, GAS VENT, WALL, CEILING, ATTIC, CONFINED SPACE, BEDROOM, OR UNDER A BUILDING.

DO NOT USE VINYL, PLASTIC, CLOTH OR OTHER NONMETALIC DUCT TO EXHAUST THE DRYER.

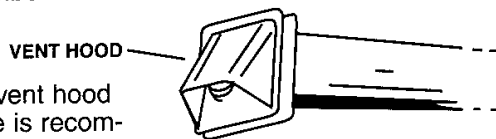
MULTIPLE INSTALLATIONS REQUIRE INDIVIDUAL EXHAUST SYSTEMS.

DRYERS INSTALLED IN A MANUFACTURED (MOBILE) HOME MUST BE VENTED OUTDOORS.

PERIODICALLY CLEAN LINT FROM VENT SYSTEM. CLEAN FREQUENTLY IF USING MAXIMUM LENGTH OF VENT.

Exhausting can be accomplished directly from the rear of the cabinet, through right side of the cabinet, or downward through the cabinet base. If your existing ductwork is plastic, nonmetal, or combustible, replace it with METAL. Standard four inch diameter galvanized or aluminum pipe should be used. DO NOT use any pipe which may be susceptible to rust or COMBUSTION. To avoid catching lint the crimped end of each pipe section should face away from the dryer. Do not use screws or other fasteners that extend into the exhaust pipe or duct.

Flexible 4" diameter metal tubing may be used for exhausting the dryer. However, the convolutions create a greater restriction than pipe and serious blockage can result if the tubing is bent too sharply. If clearance to the wall is less than 8 inches, use a 4" sheet metal elbow at the rear of the dryer to avoid a sharp bend in the tubing. Do not use over 8 feet (2.5 m.) of flexible metallic tubing between the elbow and the vent hood.



The use of a vent hood on the outside is recommended.

When the dryer stops the damper automatically closes to prevent drafts and the entrance of insects and rodents. To avoid restricting the outlet, maintain a minimum 8 inch clearance between the hood and the ground or other obstruction.

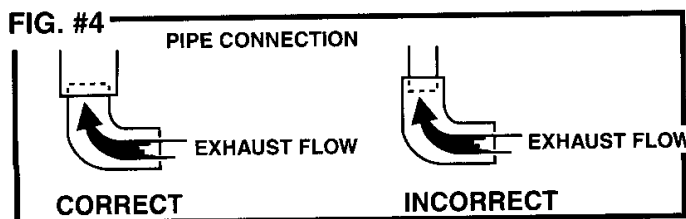


FIG. #4 PIPE CONNECTION

LENGTH OF VENT

Maximum Length of 4" Rigid Duct

Number of 90° Turns Separated by at least 4 ft. of Straight Run	VENT HOOD TYPE	
	OPENING	OPENING
0	45 feet	30 feet
1	35 feet	20 feet
2	25 feet	10 feet

Vent should never exceed 0.6 inches water column back pressure, fluff empty dryer.

BOTTOM EXHAUSTING

If space permits behind the dryer, a 4" elbow pointed downward may be used to pass the exhaust system through the floor. If this is not possible, the dryer may be exhausted through the bottom as illustrated in FIG. #7. When exhausting in this manner, the installation should be made according to the following steps:

1. Disconnect electric cord.
2. Raise the top of the dryer by pressing in with a putty knife on the top panel retaining clips. FIG. #5.

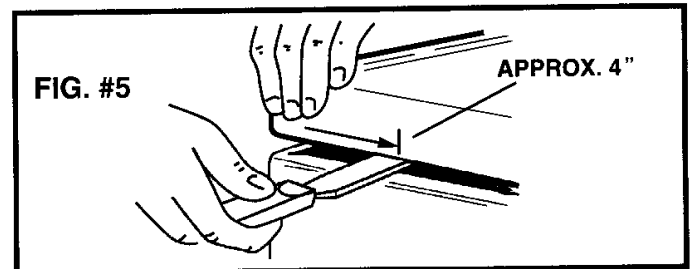


FIG. #5

3. Remove front panel by removing two 1/4" screws inside top corners of front panel. Disconnect door switch wires. NOTE position of front seal before removing front panel.
4. Remove the cylinder as follows:

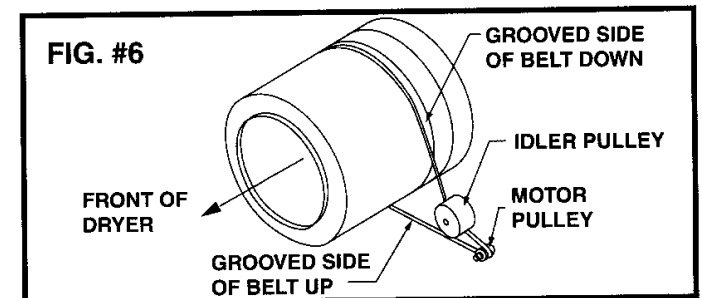
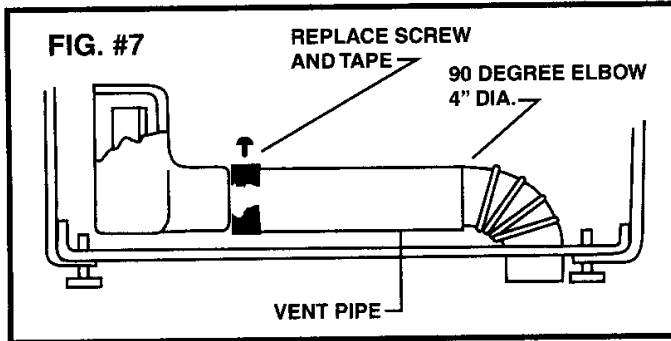


FIG. #6

- a. Force idler pulley to the right and remove cylinder belt from idler and motor pulleys. See FIG. #6.
 - b. Lift up and turn cylinder to clear the roller supports.
 - c. Lift out of cabinet.
5. Remove tape and screw securing dryer vent pipe.
 6. Remove the 4" dryer vent pipe and shorten to a suitable length. Length depends on type of elbow purchased.
 7. Remove knockout from dryer base.
 8. Place dryer in position and mark duct location on floor. Check floor joist location before sawing hole in floor.

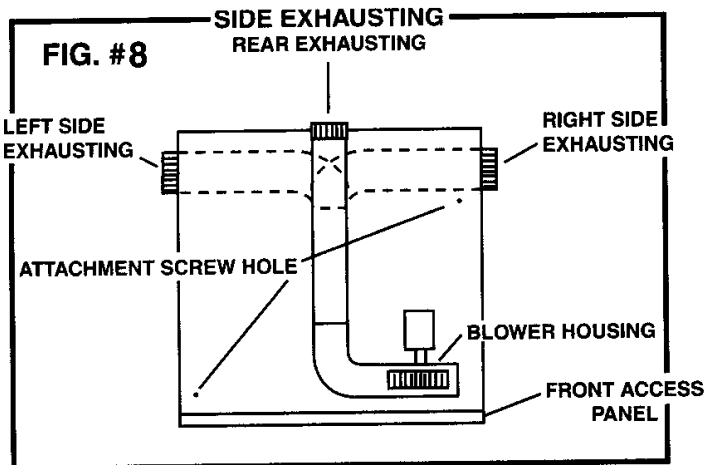
9. Saw a 4 1/8" hole in floor and position dryer.
10. Secure the shortened pipe to the blower housing with a screw at the top and seal all joints with tape or silicone bathtub caulk.
11. Install a 4" 90 degree elbow as shown.



12. Seal rear opening of cabinet with the cover plate provided with your dryer. Located with literature. Attach cover plate to rear of the cabinet with #8 sheet metal screws or duct tape. (Not supplied)
13. Place cylinder belt around cylinder with grooved side toward cylinder. FIG. #6.
14. Reinstall cylinder by pushing and turning until rollers are snapped in cylinder grooves and cylinder turns freely.
15. Position cylinder belt with grooved side around motor pulley. Pull idler pulley right until smooth side of belt can be routed around left side of idler pulley. FIG. #6.
16. Rotate cylinder counter-clockwise to position belt..
17. Replace dryer front and reconnect door switch wires. Make sure the front seal is in the original position.
18. Complete exhaust system to outdoors.

SIDE EXHAUSTING

Figure #8 illustrates side exhaust venting pipe connections inside the dryer cabinet. When venting the dryer from the side, the cabinet knockout must be removed. A 4" metal exhaust pipe must be purchased. The rear exhaust pipe inside the dryer must then be shortened. (Length will depend on type of elbow purchased.) Secure the shortened pipe to the Blower Housing with a screw at the top, attach elbow and metal exhaust pipe, and seal all joints with tape or silicone bathtub caulk.



When exhausting from the side, the installation should be made according to the steps described in **BOTTOM EXHAUSTING** and as noted above.

INDOOR EXHAUSTING

Step #3D shows a typical installation with indoor exhausting. Indoor exhausting is not recommended unless the laundry room is large and sufficient cross ventilation is available by opening two windows, or a door and a window, or where an exhaust fan is located in the laundry room.

When exhausting indoors, use the Indoor Exhausting Kit and maintain a minimum clearance of 6 inches between the rear of the dryer and any adjacent wall. The Indoor Exhausting Kit is available from your dealer under Part No. 53-0298.

SPECIAL REQUIREMENTS FOR MANUFACTURED (MOBILE) HOME INSTALLATIONS

Follow steps outlined for installation with these exceptions: When installed in a manufactured (mobile) home.

1. **THE DRYER INSTALLATION** must conform to the Manufactured Home Construction and Safety, Title 24, HUD (Part 280, 1975).
2. **THE DRYER** must be attached to the manufactured (mobile) home structure as follows:
 - a. Dismantle the dryer as described in bottom exhausting.
 - b. Buy two #10 1 1/2" round head wood screws. Drive them through the attachment screw holes of the base into the floor. See FIG. #8 for location.
 - c. Reassemble the dryer.
2. **THE EXHAUST DUCT** must be exhausted to the outside using metal ducting. It should not terminate beneath the manufactured (mobile) home.
3. **THE VENT HOOD** must be securely fastened to the manufactured (mobile) home structure.

THIS DRYER IS NOT SUITABLE FOR USE IN RECREATION VEHICLES SUCH AS TRAVEL TRAILERS, CAMPERS, OR MOTOR HOMES.

FINAL CHECK OUT

1. Plug dryer in.
2. Following your operating instructions, operate the dryer briefly on all control settings. A slight odor may be noticed with a new machine.
3. Allow empty dryer to operate on highest heat setting for a few minutes.
4. Stop dryer and wipe inside of cylinder with a clean cloth.
5. Wipe fingerprints and dirt from outside of dryer with soft cloth.
6. A protective plastic film may cover the control panel, this should be removed.

Free Manuals Download Website

<http://myh66.com>

<http://usermanuals.us>

<http://www.somanuals.com>

<http://www.4manuals.cc>

<http://www.manual-lib.com>

<http://www.404manual.com>

<http://www.luxmanual.com>

<http://aubethermostatmanual.com>

Golf course search by state

<http://golfingnear.com>

Email search by domain

<http://emailbydomain.com>

Auto manuals search

<http://auto.somanuals.com>

TV manuals search

<http://tv.somanuals.com>