



# USER'S GUIDE

Congratulations on your purchase of a Maytag dryer! Your satisfaction is very important to us.

**Read this manual for best results.** It contains instructions to acquaint you with proper operating instructions and maintenance.

**Save time and money.** If something should go wrong, we suggest consulting the "Before You Call" section. It is designed to help you solve basic problems before consulting a service technician.

If you have questions, write us (include your model number and phone number) or call:

Maytag Appliances Sales Company  
 Attn: CAIR® Center  
 P.O. Box 2370  
 Cleveland, TN 37320-2370  
 1-800-688-9900 USA  
 1-800-688-2002 CANADA  
 1-800-688-2080 USA TTY (for deaf, hearing impaired, or speech impaired)  
 (Mon.–Fri., 8am–8pm Eastern Time)  
 Internet: <http://www.maytag.com>

## **Table of Contents**

<b>Safety Instructions</b> . . . . .	<b>1-2</b>
<b>Controls at a Glance</b> . . . . .	<b>3-4</b>
<b>Operating Tips</b> . . . . .	<b>5</b>
<b>Care and Cleaning</b> . . . . .	<b>5</b>
<b>Dryer Exhaust Tips</b> . . . . .	<b>6</b>
<b>Before You Call</b> . . . . .	<b>7</b>
<b>Warranty</b> . . . . .	<b>8</b>
<b>Guide de L' Utilisateur</b> . . . . .	<b>10</b>
<b>Guía Del Usuario</b> . . . . .	<b>19</b>

# Important Safety Instructions

**⚠ WARNING:** To reduce the risk of fire, explosion, electric shock, or personal injury when using your dryer follow basic safety precautions, including the following:

**⚠ WARNING:** For your safety, the information in this manual must be followed to minimize the risk of fire or explosion or to prevent property damage, personal injury or death.

- Do not store or use gasoline or other flammable vapors and liquids in the vicinity of this or any other appliance.

## WHAT TO DO IF YOU SMELL GAS

- Do not try to light any appliance.
- Do not touch any electrical switch.
- Do not use any phone in your building.
- Clear the room, building or area of all occupants.
- Immediately call your gas supplier from a neighbors phone. Follow the gas supplier's instructions.
- If you cannot reach your gas supplier, call the fire department.

**Installation and service must be performed by a qualified installer, service agency or the gas supplier.**

1. Read all instructions before using the appliance.
2. To avoid the possibility of fire or explosion:
  - a. Do not dry items that have been previously cleaned in, washed in, soaked in, or spotted with gasoline, dry-cleaning solvents, other flammable or explosive substances as they give off vapors that could ignite or explode. Any material on which you have used a cleaning solvent, or which is saturated with flammable liquids or solids, should not be placed in the dryer, until all traces of these flammable liquids or solids and their fumes have been removed. There are many highly flammable items used in homes, such as: acetone, denatured alcohol, gasoline, kerosene, some liquid household cleaners, some spot removers, turpentine, waxes and wax removers.
  - b. Items containing foam rubber (may be labeled latex foam) or similarly textured rubber-like materials must not be dried on a heat setting. Foam rubber materials when heated, can under certain circumstances produce fire by spontaneous combustion.
3. Do not allow children to play on or in the appliance. Close supervision of children is necessary when the appliance is used near children.
4. Before the appliance is removed from service or discarded, remove the door to the drying compartment.
5. Do not reach into the appliance if the drum is moving.
6. Do not install or store this appliance where it will be exposed to the weather.
7. Do not tamper with controls.
8. Do not repair or replace any part of the appliance or attempt any servicing unless specifically recommended in published user-repair instructions that you understand and have the skills to carry out.
9. Do not use fabric softeners or products to eliminate static unless recommended for dryer use by the manufacturer of the fabric softener or product.
10. Clean the lint screen before or after each load.
11. Keep the area around the exhaust opening and surrounding areas free from lint accumulation, dust and dirt.
12. The interior of the dryer and exhaust duct should be cleaned periodically by qualified service personnel.
13. This appliance must be properly grounded. Never plug the appliance cord into a receptacle which is not grounded adequately and in accordance with local and national codes. See installation instructions for grounding this appliance.
14. Do not sit on top of the clothes dryer.

## **⚠ WARNING! FIRE HAZARD**

Do not place into your dryer items that have been spotted or soaked with vegetable oil or cooking oil. Even after being washed, these items may contain significant amounts of these oils. The remaining oil can ignite spontaneously. The potential for spontaneous ignition increases when the items containing vegetable oil or cooking oil are exposed to heat. Heat sources, such as your clothes dryer, can warm these items, allowing an oxidation reaction in the oil to occur. Oxidation creates heat. If this heat cannot escape, the items can become hot enough to catch fire. Piling, stacking or storing these kinds of items may prevent heat from escaping and can create a fire hazard.

All washed and unwashed fabrics that contain vegetable oil or cooking oil can be dangerous. Washing these items in hot water with extra detergent will reduce, but will not eliminate, the hazard. Always use the "cool down" cycle for these items to reduce the items' temperature. Never remove these items from the clothes dryer hot or interrupt the drying cycle until the items have run through the "cool down" cycle. Never pile or stack these items when they are hot.

## **What you need to know about safety instructions**

Warning and Important Safety Instructions appearing in this manual are not meant to cover all possible conditions and situations that may occur. Common sense, caution, and care must be exercised when installing, maintaining or operating appliance.

Always contact your dealer, distributor, service agent, or manufacturer about problems or conditions you do not understand.

## **Important Safety Notice & Warning**

The California Safe Drinking Water and Toxic Enforcement Act of 1986 (Proposition 65) requires the Governor of California to publish a list of substances known to the State of California to cause cancer or reproductive harm, and requires businesses to warn customers of potential exposures to such substances.

Users of this appliance are hereby warned that the burning of gas can result in low-level exposure to some of the listed substances, including benzene, formaldehyde, and soot, due primarily to the incomplete combustion of natural gas or liquid petroleum (LP) fuels. Exhaust ducts should be kept free of obstructions and properly exhausted dryers will minimize exposure.

***IMPORTANT: Because of continuing product improvements, Maytag reserves the right to change specifications without notice. For complete details, see the Installation Instructions packed with your product before selecting cabinetry, making cutouts or beginning installation.***

## **Recognize safety symbols, words, labels**

### **⚠ WARNING**

**WARNING** – Hazards or unsafe practices which **COULD** result in severe personal injury or death.

### **⚠ CAUTION**

**CAUTION** – Hazards or unsafe practices which **COULD** result in minor personal injury.

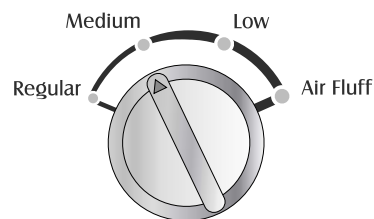
**SAVE THESE INSTRUCTIONS**

# Controls at a Glance

## Step 1

### Select Temperature

To select the temperature, turn the temperature control to Regular, Medium (Select Models), Low or Air Fluff.



Temperature

#### DRYER TEMPS      LOAD TYPE

<b>Regular</b>	For sturdy cottons or those labeled "Tumble Dry."
<b>Medium</b> (Select Models)	For permanent press, synthetics, lightweight cottons or items labeled "Tumble Dry Medium."
<b>Low</b>	For heat sensitive items labeled "Tumble Dry Low" or "Tumble Dry Warm."
<b>Air Fluff</b>	Tumbles without heat. Used for sensitive loads or items needing freshening.

## Step 2

### Select Cycle

To select a cycle, rotate the control dial to the desired setting. When using an Auto Dry cycle, the control dial should point between "More Dry" and "Less Dry" for most loads.

Loads of larger or bulkier size may require the "More Dry" setting to completely dry the load. The "Less Dry" setting is best suited for lightweight fabrics or for leaving some moisture in the clothing at the end of the cycle.

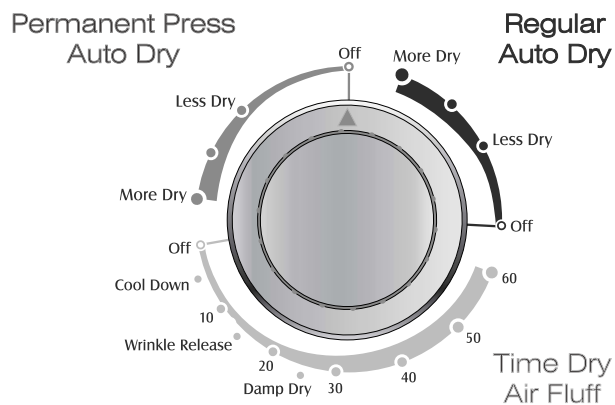
#### Regular Auto Dry

The Regular Auto Dry cycle is designed to dry loads such as towels, underwear, t-shirts, jeans, etc.

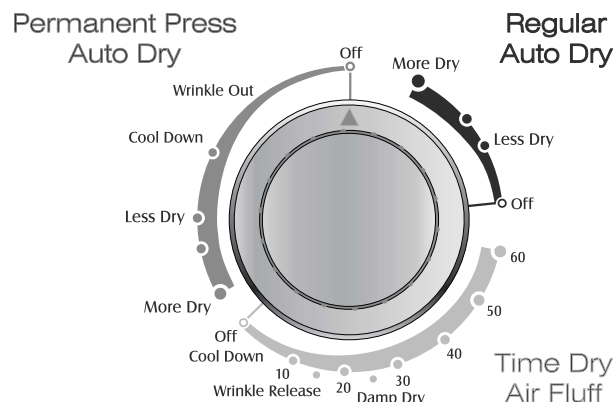
#### Permanent Press Auto Dry

The Permanent Press Auto Dry cycle is designed to dry wrinkle free cottons, synthetic fabrics, double knits and permanent press fabrics automatically. It minimizes wrinkling by providing an unheated cool-down period at the end of the cycle.

#### MDE2301



#### MDE2600



## **Step 2** Cont.

### **Time Dry Air Fluff**

This cycle can be used to regulate the drying time. Use with Air Fluff, Low, Medium (Select Models) or Regular temperature settings. For timed drying, turn the control dial until the pointer points to the proper time setting in the Time Dry Air Fluff cycle.

**NOTE:** Using the Air Fluff temperature setting will require a longer drying time.

## **Step 3** **Press Start**

Push this button to start the dryer. The dryer door must be shut for the dryer to operate. If the door is opened during the cycle, the Start button must be pushed again to resume the cycle once the door is closed.



Start

### **Special Options**

**Damp Dry** is located on the Time Dry Air Fluff section of the dial. It is designed to partially dry items and can be used with any temperature selection. **Damp Dry** will provide 20 minutes of tumbling time, followed by 5 minutes of cool-down tumbling.

**Wrinkle Release** will release wrinkles from items that are clean and dry but only slightly wrinkled, such as from a crowded closet or suitcase, or from sitting in the dryer too long after the cycle has ended. **Wrinkle Release** provides 10 minutes of tumbling followed by five minutes of cool-down tumbling and can be used with any temperature selection.

### **End of Cycle Signal**

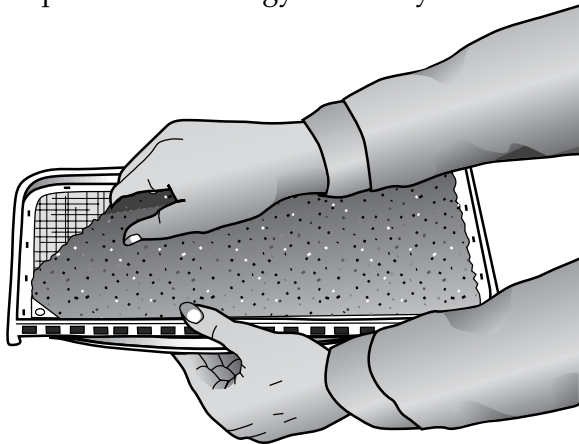
Shortly before the cycle is complete, an audible signal will sound.

**NOTE:** The dial can be turned in either direction to select a cycle. Once started, the dial will not advance at a specific rate during the Auto Dry cycles. At first the dial may not advance at all. Toward the end of the cycle (when the load begins to dry) the dial will advance at a more regular rate and much more quickly. This is normal operation.

# Operating Tips

## Clean the Lint Filter

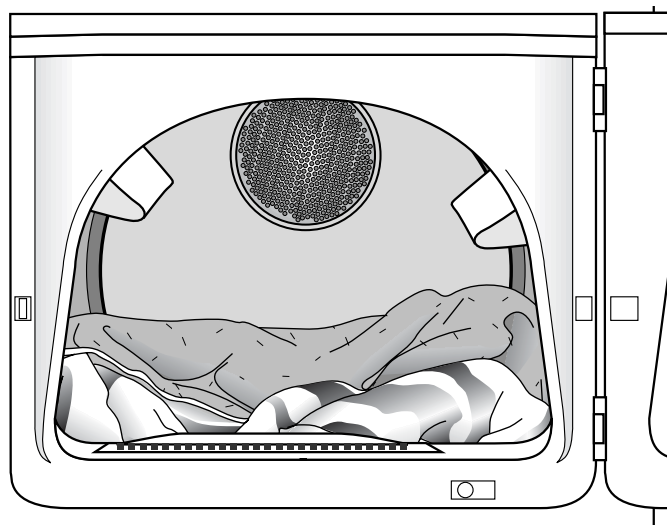
- After each load.
- To shorten drying time.
- To operate more energy efficiently.



**NOTE:** Do not operate the dryer without the lint filter in place.

## Load the Dryer Properly

- Place only one washload in the dryer at a time.
- Mixed loads of heavy and lightweight clothes will dry differently. Lightweight clothes will dry, while heavy clothes may be damp.
- Add one or more similar items to the dryer when only one or two articles need drying. This improves the tumbling action and drying efficiency.
- Overloading restricts tumbling action, resulting in uneven drying as well as excessive wrinkling of some fabrics.
- When drying large, bulky items such as a blanket or comforter, it may be necessary to reposition the load during the cycle to ensure even drying.



# Care & Cleaning

## Control Panel

Clean with a soft, damp cloth. Do not use abrasive substances.

## Tumbler

Remove any stains such as crayon, ink pen or fabric dye (from new items such as towels or jeans) with an all-purpose cleaner. Then tumble old towels or rags to remove any excess stain or cleaning substance. Once these steps are done, stains may still be visible, but should not transfer to subsequent loads.

## Cabinet

Wipe off any marks with soap and water. Use an appliance wax once a year if desired.

## Dryer Exhaust System

Inspect and clean once a year to maintain optimum performance. The outside exhaust hood should be cleaned more frequently to ensure proper operation. (Refer to the Installation Instructions for more information.)

# Dryer Exhaust Tips

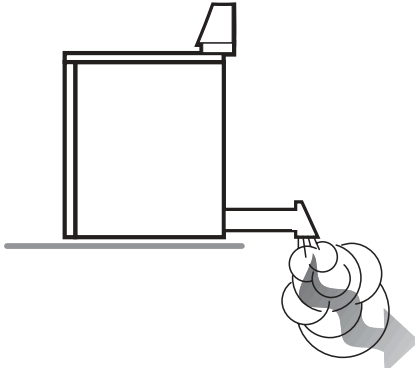
**⚠ WARNING** — Plastic or nonmetal flexible duct presents a potential fire hazard.

## Do

Read the installation instructions and the user's guide.

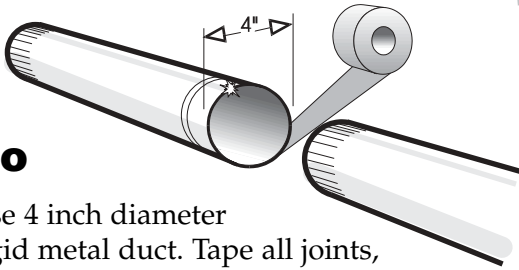
## Do

Let your dryer exhaust the air easily.



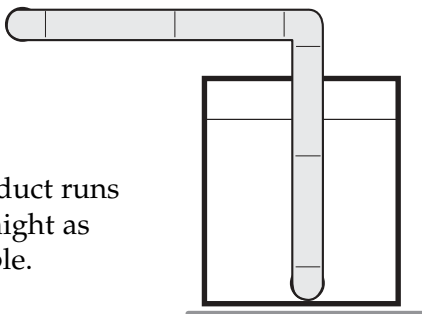
## Do

Use 4 inch diameter rigid metal duct. Tape all joints, including at the dryer. Never use lint-trapping screws.



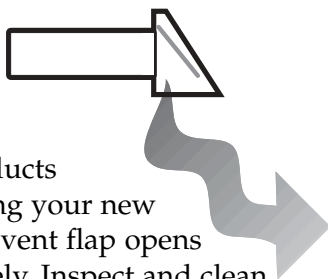
## Do

Keep duct runs as straight as possible.



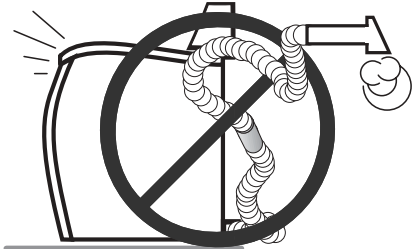
## Do

Clean all old ducts before installing your new dryer. Be sure vent flap opens and closes freely. Inspect and clean the exhaust system annually.



## Don't

Let a poor exhaust system cause slow drying.

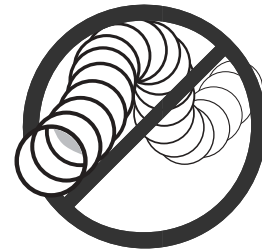


## Don't

Restrict your dryer with a poor exhaust system.

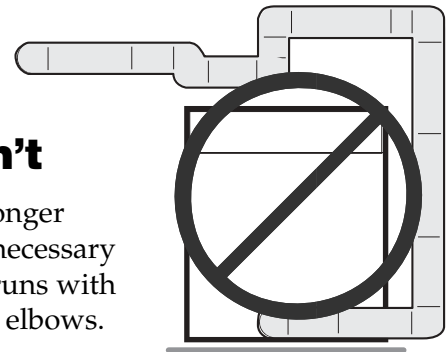
## Don't

Use plastic, thin foil, or non-metal flexible duct.



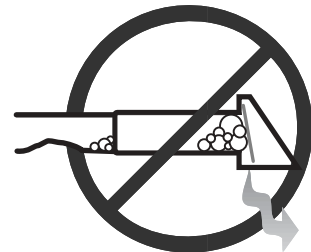
## Don't

Use longer than necessary duct runs with many elbows.



## Don't

Allow crushed or clogged ducts and vent.



# Before You Call

## Check the following if your clothes dryer...

### Doesn't Run

- Be sure the door is shut.
- Is the electrical cord plugged in?
- Has a fuse blown or the circuit breaker tripped?
- Push the Start button again if the door was opened during the cycle.

### Doesn't Heat

- Has a fuse blown or the circuit breaker tripped?
- Select a heat setting, not air fluff.
- Check that the gas supply is on for gas dryers.
- Clean the lint filter and exhaust duct.
- Dryer timer may have moved into the cool-down portion of the cycle.

### Doesn't Dry Properly

- Check all of the above, plus . . .
- Check the exhaust hood outside the house, does it open and close freely?
- Check exhaust system for lint build-up. Ducting should be inspected and cleaned annually.
- Clean the lint filter and exhaust duct.
- Use rigid 4" metal exhaust duct.
- Do not overload. 1 wash load = 1 dryer load.
- Sort heavy items from lightweight items.
- Large, bulky items like blankets or comforters may require repositioning to ensure even drying.
- Check the washer to be sure it is draining properly to extract water from the load.
- Clothes load is too small to tumble properly. Add a few towels

### Is Noisy

- Check the load for objects such as coins, nails, etc. Remove promptly from dryer.
- It is normal to hear the dryer gas valve or heating element cycle on and off during the drying cycle.
- The dryer should be level and installed on a solid floor.
- Be sure the rubber feet are installed on the leveling legs.
- A clicking noise may be the timer advancing.
- It is normal for the dryer to hum due to the high velocity of air moving through the dryer drum and exhaust system.

### Control Knob Advances Slowly

- This is normal operation for an Auto Dry cycle, especially at the beginning of cycle. Once the load begins to dry, the control knob will start to advance. The rate of advancement will be slow at the beginning of the cycle because there is more moisture in the load. As the load becomes more dry, the control knob will advance more quickly.

### Dries Unevenly

- Seams, pockets and other similar heavy areas may not be completely dry when the rest of the load has reached the selected dryness level. This is normal. Select the "More Dry" setting if desired.
- If one heavy item is dried with a lightweight load, such as one towel with sheets, it is possible that the heavy item will not be completely dry when the rest of the load has reached the selected dryness level. Sort heavy items from lightweight items for best drying results.

### Has an Odor

- Household odors such as from painting, varnishing, strong cleaners, etc. may enter the dryer with the surrounding room air. This is normal as the dryer draws the air from the room, heats it, pulls it through the tumbler and exhausts it to the outside. When these odors are present in the air, ventilate the room completely before using the dryer.

*For further assistance contact Maytag Appliances Sales Company, Maytag Customer Assistance:  
U.S. 1-800-688-9900 or Canada 1-800-688-2002*

*U.S. customers using TTY for deaf, hearing impaired or speech impaired, call 1-800-688-2080.*



# Maytag Clothes Dryer Warranty

## Full One Year Warranty

For one (1) year from the date of original retail purchase, any part which fails in normal home use will be repaired or replaced free of charge.

## Limited Warranty

After the first year from date of original retail purchase, through the time periods listed below, the parts designated below which fail in normal home use will be repaired or replaced free of charge for the part itself, with the owner paying all other costs, including labor, mileage and transportation.

**Second Year** – All parts.

**Third through Fifth Year** – Dryer tumbler.

## Additional Limited Warranty Against Rust-Through

Should an exterior cabinet, including the door, rust through during the one year period starting from the date of retail purchase, repair or replacement will be made free of charge. After the first and through the tenth year, repair or replacement will be made free of charge for the part itself, with the owner paying all other costs, including labor, mileage and transportation.

**Please Note:** This full warranty and the limited warranty apply when the dryer is located in the United States or Canada. Dryers located elsewhere are covered by the limited warranty only, including parts which fail during the first two years.

## Canadian Residents

This warranty covers only those dryers installed in Canada that have been listed with the Canadian Standards Association unless the dryers are brought into Canada due to transfer of residence from the United States to Canada.

The specific warranties expressed above are the ONLY warranties provided by the manufacturer. This warranty gives you specific legal rights, and you may also have other rights that vary from state to state.

## TO OBTAIN WARRANTY SERVICE

To locate an authorized service company in your area contact the Maytag dealer from whom your appliance was purchased; or call Maytag Appliances Sales Company, Maytag Customer Assistance. Should you not receive satisfactory warranty service, please call or write:

Maytag Appliances Sales Company

Attn: CAIR® Center

P.O. Box 2370

Cleveland, TN 37320-2370

U.S. 1-800-688-9900

Canada 1-800-688-2002

U.S. Customers using TTY for deaf, hearing impaired or speech impaired, call 1-800-688-2080.

When contacting Maytag Appliances Sales Company, Maytag Customer Assistance about a service problem, please include the following:

- (a) Your name, address and telephone number;
- (b) Model number and serial number (found on the front panel of the door opening) of your appliance;
- (c) Name and address of your dealer and the date the appliance was purchased;
- (d) A clear description of the problem you are having.
- (e) Proof of purchase.

## What is not covered by these warranties:

1. Conditions and damages resulting from any of the following:
  - a. Improper installation, delivery, or maintenance.
  - b. Any repair, modification, alteration or adjustment not authorized by the manufacturer or an authorized servicer.
  - c. Misuse, abuse, accidents, or unreasonable use.
  - d. Incorrect electric current, voltage or supply.
  - e. Improper setting of any control.
2. Warranties are void if the original serial numbers have been removed, altered, or cannot be readily determined.
3. Light bulbs.
4. Products purchased for commercial or industrial use.
5. The cost of service or service call to:
  - a. Correct installation errors.
  - b. Instruct the user on proper use of the product.
  - c. Transport the appliance to the servicer.
7. Consequential or incidental damages sustained by any person as a result of any breach of these warranties.

Some states do not allow the exclusion or limitation of consequential or incidental damages, so the above exclusion may not apply.

User's Guides, service manuals and parts catalogs are available from Maytag Appliances Sales Company, Maytag Customer Assistance.

## Free Manuals Download Website

<http://myh66.com>

<http://usermanuals.us>

<http://www.somanuals.com>

<http://www.4manuals.cc>

<http://www.manual-lib.com>

<http://www.404manual.com>

<http://www.luxmanual.com>

<http://aubethermostatmanual.com>

Golf course search by state

<http://golfingnear.com>

Email search by domain

<http://emailbydomain.com>

Auto manuals search

<http://auto.somanuals.com>

TV manuals search

<http://tv.somanuals.com>