

# MDG30PNH / MDG30MNV Installation Manual

## 30 lb Single Pocket / Phase 7 / Non-Coin with Fire Suppression System

**WARNING:** For your safety the information in this manual must be followed to minimize the risk of fire or explosion and to prevent property damage, personal injury or death.

— Do not store or use gasoline or other flammable vapors and liquids in the vicinity of this or any other appliance.

— WHAT TO DO IF YOU SMELL GAS:

- Do not try to light any appliance.
- Do not touch any electrical switch; do not use any phone in your building.
- Clear the room, building or area of all occupants.
- Immediately call your gas supplier from a neighbor's phone. Follow the gas supplier's instructions.
- If you cannot reach your gas supplier, call the fire department.

— Installation and service must be performed by a qualified installer, service agency or the gas supplier.

**AVERTISSEMENT:** Assurez-vous de bien suivre les instructions données dans cette notice pour réduire au minimum le risque d'incendie ou d'explosion ou pour éviter tout dommage matériel, toute blessure ou la mort.

— Ne pas entreposer ni utiliser d'essence ni d'autres vapeurs ou liquides inflammables à proximité de cet appareil ou de tout autre appareil.

— QUE FAIRE SI VOUS SENTEZ UNE ODEUR DE GAZ:

- Ne pas tenter d'allumer d'appareils.
- Ne touchez à aucun interrupteur. Ne pas vous servir des téléphones se trouvant dans le bâtiment.
- Évacuez la pièce, le bâtiment ou la zone.
- Appelez immédiatement votre fournisseur de gaz depuis un voisin. Suivez les instructions du fournisseur.
- Si vous ne pouvez rejoindre le fournisseur de gaz, appelez le service des incendies.

— L'installation et l'entretien doivent être assurés par un installateur ou un service d'entretien qualifié ou par le fournisseur de gaz.

# MAYTAG



**RETAIN THESE  
INSTRUCTIONS IN A  
SAFE PLACE FOR  
FUTURE REFERENCE**

Part No. 113307-7

# Retain This Manual In A Safe Place For Future Reference

This product embodies advanced concepts in engineering, design, and safety. If this product is properly maintained, it will provide many years of efficient, trouble free, and most importantly safe operation.

*ONLY qualified technicians should service this equipment.*

**OBSERVE ALL SAFETY PRECAUTIONS** displayed on the equipment or specified in the installation manual included with the dryer.

The following “**FOR YOUR SAFETY**” caution **must be** posted near the dryer in a prominent location.

**FOR YOUR SAFETY**

Do not store or use gasoline or other flammable vapors and liquids in the vicinity of this or any other appliance.

**POUR VOTRE SÉCURITÉ**

Ne pas entreposer ni utiliser d'essence ni d'autres vapeurs ou liquides inflammables à proximité de cet appareil ou de tout autre appareil.

We have tried to make this manual as complete as possible and hope you will find it useful. The manufacturer reserves the right to make changes from time to time, without notice or obligation, in prices, specifications, colors, and material, and to change or discontinue models. The illustrations included in this manual may not depict your particular dryer **exactly**.

## Important

For your convenience, log the following information:

**DATE OF PURCHASE** \_\_\_\_\_ **MODEL NO.** \_\_\_\_\_

**DEALER'S NAME** \_\_\_\_\_

**Serial Number(s)** \_\_\_\_\_

\_\_\_\_\_

\_\_\_\_\_

For replacement parts, contact the dealer from which the dryer was purchased or contact:

**Maytag Co.**  
Benton Harbor, MI  
1-800-662-3587

### **“IMPORTANT NOTE TO PURCHASER”**

Information **must be** obtained from your local gas supplier on the instructions to be followed if the user smells gas. These instructions **must be** posted in a prominent location near the dryer.

## **IMPORTANT**

**YOU MUST DISCONNECT AND LOCKOUT THE ELECTRIC SUPPLY AND THE GAS SUPPLY OR THE STEAM SUPPLY BEFORE ANY COVERS OR GUARDS ARE REMOVED FROM THE MACHINE TO ALLOW ACCESS FOR CLEANING, ADJUSTING, INSTALLATION, OR TESTING OF ANY EQUIPMENT PER OSHA (Occupational Safety and Health Administration) STANDARDS.**

“Caution: Label all wires prior to disconnection when servicing controls. Wiring errors can cause improper operation.”

«Attention: Au moment de l'entretien des commandes, étiquetez tous les fils avant de les débrancher. Des erreurs de câblage peuvent entraîner un fonctionnement inadéquat et dangereux.»

## **CAUTION**

**DRYERS SHOULD NEVER BE LEFT UNATTENDED WHILE IN OPERATION.**

## **WARNING**

**CHILDREN SHOULD NOT BE ALLOWED TO PLAY ON OR NEAR THE DRYER(S).**  
**CHILDREN SHOULD BE SUPERVISED IF NEAR DRYERS IN OPERATION.**

## **FOR YOUR SAFETY**

**DO NOT DRY MOP HEADS IN THE DRYER.**

**DO NOT USE DRYER IN THE PRESENCE OF DRY CLEANING FUMES.**

## **WARNING**

**UNDER NO CIRCUMSTANCES should the dryer door switch, lint door switch, or heat safety circuit ever be disabled.**

## **WARNING**

The dryer *must never be* operated with any of the back guards, outer tops, or service panels removed. **PERSONAL INJURY OR FIRE COULD RESULT.**

## **WARNING**

**DRYER *MUST NEVER BE* OPERATED WITHOUT THE LINT FILTER/SCREEN IN PLACE, EVEN IF AN EXTERNAL LINT COLLECTION SYSTEM IS USED.**

## **IMPORTANT**

**PLEASE OBSERVE ALL SAFETY PRECAUTIONS displayed on the equipment and/or specified in the installation manual included with the dryer.**

Dryer *must not be* installed or stored in an area where it **will be** exposed to water or weather.

The wiring diagram for the dryer is located in the front electrical control box area.

## **IMPORTANT**

Dryer *must be* installed in a location/environment, which the ambient temperature remains between 40° F (4.44° C) and 130° F (54.44° C).

# Table of Contents

<b>SECTION I</b>	
<b>SAFETY PRECAUTIONS .....</b>	<b>2</b>
<b>SECTION II</b>	
<b>SPECIFICATIONS .....</b>	<b>4</b>
<b>SECTION III</b>	
<b>INSTALLATION PROCEDURES .....</b>	<b>6</b>
A. Unpacking/Setting Up .....	6
B. Location Requirements .....	6
C. Dryer Enclosure Requirements .....	7
D. Fresh Air Supply Requirements .....	8
E. Exhaust Requirements .....	9
F. Electrical Information .....	12
G. Gas Information .....	15
H. Preparation for Operation/Start-Up .....	18
I. Preoperational Tests .....	19
J. Preoperational Instructions .....	20
K. Shutdown Instructions .....	21
<b>SECTION IV</b>	
<b>SERVICE/PARTS INFORMATION .....</b>	<b>22</b>
A. Service .....	22
B. Parts .....	22
<b>SECTION V</b>	
<b>WARRANTY INFORMATION .....</b>	<b>23</b>
A. Returning Warranty Cards .....	23
B. Warranty .....	23
<b>SECTION VI</b>	
<b>ROUTINE MAINTENANCE .....</b>	<b>24</b>
A. Cleaning .....	24
B. Adjustments .....	25
C. Lubrication .....	25
<b>SECTION VII</b>	
<b>DATA LABEL INFORMATION .....</b>	<b>26</b>
<b>SECTION VIII</b>	
<b>PROCEDURE FOR FUNCTIONAL CHECK OF REPLACEMENT COMPONENTS .....</b>	<b>27</b>
<b>SECTION IX</b>	
<b>FIRE SUPPRESSION SYSTEM .....</b>	<b>29</b>

# SECTION I

## SAFETY PRECAUTIONS

**WARNING:** For your safety, the information in this manual *must be* followed to minimize the risk of fire or explosion or to prevent property damage, personal injury, or loss of life.

**WARNING:** The dryer *must never be* operated with any of the back guards, outer tops, or service panels removed. **PERSONAL INJURY OR FIRE COULD RESULT.**

1. **DO NOT** store or use gasoline or other flammable vapors and liquids in the vicinity of this or any other appliance.
2. Purchaser and user should consult the local gas supplier for proper instructions to be followed in the event the user smells gas. The instructions **should be** posted in a prominent location.
3. WHAT TO DO IF YOU SMELL GAS:
  - a. **DO NOT** try to light any appliance.
  - b. **DO NOT** touch any electrical switch.
  - c. **DO NOT** use any phone in your building.
  - d. Clear the room, building, or area of **ALL** occupants.
  - e. Immediately call your gas supplier from a neighbor's phone. Follow the gas supplier's instructions.
  - f. If you **cannot** reach your gas supplier, call the fire department.
4. Installation and service **must be** performed by a qualified installer, service agency, or gas supplier.
5. Dryers **must be** exhausted to the outdoors.
6. Although **Maytag** produces a very versatile dryer, there are some articles that, due to fabric composition or cleaning method, **should not be** dried in it.

**WARNING:** Dry only water washed fabrics. **DO NOT** dry articles spotted or washed in dry cleaning solvents, a combustible detergent, or "all purpose" cleaner.  
**EXPLOSION COULD RESULT.**

**WARNING:** **DO NOT** dry rags or articles coated or contaminated with gasoline, kerosene, oil, paint, or wax. **EXPLOSION COULD RESULT.**

**IMPORTANT:** Dryer *must be* installed in a location/environment, which the ambient temperature remains between 40° F (4.44° C) and 130° F (54.44° C).

**WARNING:** **DO NOT** dry mop heads. Contamination by wax or flammable solvents will create a fire hazard.

**WARNING:** *DO NOT* use heat for drying articles that contain plastic, foam, sponge rubber, or similarly textured rubber materials. Drying in a heated basket (tumbler) may damage plastics or rubber and may be a fire hazard.

7. A program **should be** established for the inspection and cleaning of lint in the burner area, exhaust ductwork, and area around the back of the dryer. The frequency of inspection and cleaning can best be determined from experience at each location.

**WARNING:** The collection of lint in the burner area and exhaust ductwork can create a potential fire hazard.

8. For personal safety, the dryer **must be** electrically grounded in accordance with local codes and/or the National Electrical Code ANSI/NFPA NO. 70-LATEST EDITION or in Canada, the Canadian Electrical Codes Parts 1 & 2 CSA C22.1-1990 or LATEST EDITION.

**NOTE:** Failure to electrically ground the dryer properly will VOID THE WARRANTY.

9. **UNDER NO CIRCUMSTANCES** should the dryer door switch, lint door/drawer switch, or heat safety circuit ever be disabled.

**WARNING: PERSONAL INJURY OR FIRE COULD RESULT SHOULD THE DRYER DOOR SWITCH, LINT DOOR/DRAWER SWITCH, OR HEAT SAFETY CIRCUIT EVER BE DISABLED.**

10. This dryer is not to be used in the presence of dry cleaning solvents or fumes.

11. Remove articles from the dryer as soon as the drying cycle has been completed.

**WARNING:** Articles left in the dryer after the drying and cooling cycles have been completed can create a fire hazard.

12. **READ AND FOLLOW ALL CAUTION AND DIRECTION LABELS ATTACHED TO THE DRYER.**

13. For safety, proper operation, and optimum performance, the dryer **must not be** operated with a load less than sixty-six percent (66%) 20 lb (9.07 kg) of its rated capacity.

**WARNING: YOU MUST DISCONNECT AND LOCKOUT THE ELECTRIC SUPPLY AND THE GAS SUPPLY OR THE STEAM SUPPLY BEFORE ANY COVERS OR GUARDS ARE REMOVED FROM THE MACHINE TO ALLOW ACCESS FOR CLEANING, ADJUSTING, INSTALLATION, OR TESTING OF ANY EQUIPMENT PER OSHA (Occupational Safety and Health Administration) STANDARDS.**

# SECTION II

## SPECIFICATIONS

MAXIMUM CAPACITY (DRY WEIGHT)		30 lbs	<b>13.6 kg</b>
BASKET (TUMBLER) DIAMETER		32-3/4"	<b>83.2 cm</b>
BASKET (TUMBLER) DEPTH		25-5/8"	<b>65.1 cm</b>
BASKET (TUMBLER) MOTOR		1/2 hp	<b>0.373 kW</b>
DOOR OPENING (DIAMETER)		21-1/2"	<b>54.61 cm</b>
BASKET (TUMBLER) VOLUME		12.5 cu ft	<b>0.354 cu m</b>
DRYERS PER 20'/40' CONTAINER		12/26	
DRYERS PER 45'/48' TRUCK		30/32	
S.A.F.E. WATER CONNECTION		3/4" - 11.5 NH	
<b>Gas</b>	VOLTAGE AVAILABLE	120v 1ø 2w 60 Hz	
	APPROX. WEIGHT (UNCRATED)	534 lbs	<b>242 kg</b>
	APPROX. WEIGHT (CRATED)	571 lbs	<b>259 kg</b>
	HEAT INPUT	100,000 Btu/hr	<b>25,200 kcal/hr</b>
	AIRFLOW	460 cfm	<b>13 cmm</b>
	INLET PIPE CONNECTION	1/2" F.N.P.T.*	

*Shaded areas are stated in metric equivalents*

12/1/03

\* Size of piping to dryer varies with installation conditions. Contact factory for assistance.

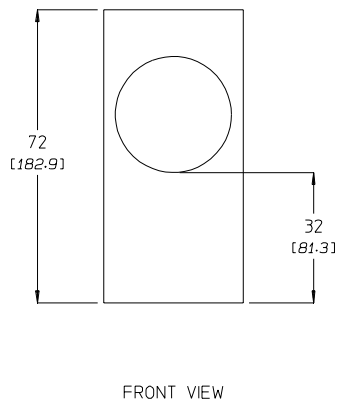
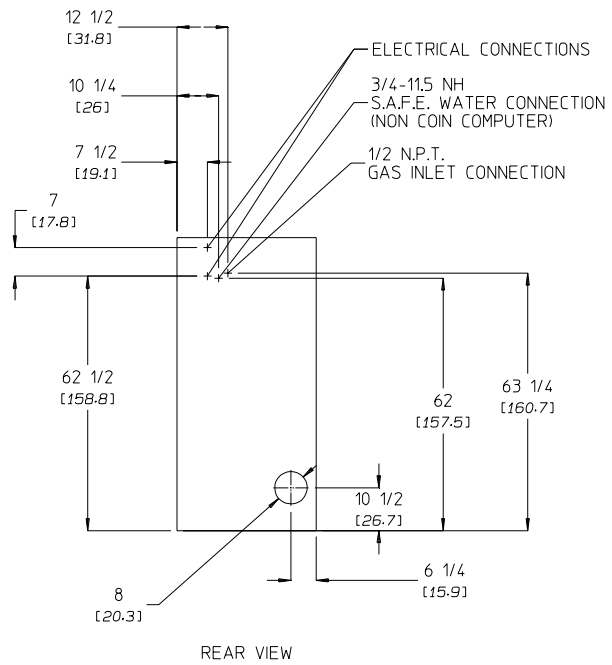
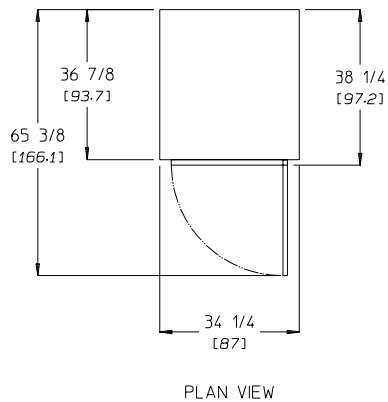
**NOTE:** The manufacturer reserves the right to make changes in specifications at any time without notice or obligation.



# Specifications

DRYER NOTES:

- ° DUCTWORK SIZE VARIES WITH INSTALLATION CONDITIONS.
- ° EXHAUST STATIC PRESSURE MUST BE NO LESS THAN 0 AND MUST NOT EXCEED 0.3" (0.74 MB) WATER COLUMN.



PSS 3/9/04

**NOTE:** The manufacturer reserves the right to make changes in specifications at any time without notice or obligation.

# SECTION III

## INSTALLATION PROCEDURES

Installation **should be** performed by competent technicians in accordance with local and state codes. In the absence of these codes, the installation **must conform** to applicable American National Standards: ANSI Z223.1-LATEST EDITION (National Fuel Gas Code) or ANSI/NFPA NO. 70-LATEST EDITION (National Electrical Code) or in Canada, the installation **must conform** to applicable Canadian Standards: CAN/CGA-B149.1-M91 (Natural Gas) or CAN/CGA-B149.2-M91 (Liquid Propane [L.P.] Gas) or LATEST EDITION (for General Installation and Gas Plumbing) or Canadian Electrical Codes Parts 1 & 2 CSA C22.1-1990 or LATEST EDITION (for Electrical Connections).

### A. UNPACKING/SETTING UP

Remove protective shipping material (i.e., plastic wrap and optional shipping box) from dryer.

**IMPORTANT:** Dryer *must be* transported and handled in an upright position at **ALL** times.

The dryer can be moved to its final location while still attached to the skid or with the skid removed. To unskid the dryer, locate and remove the four (4) bolts securing the base of the dryer to the wooden skid. Two (2) are at the rear base (remove the back panel for access), and two (2) are located in the bottom of the lint chamber. To remove the two (2) bolts located in the lint chamber area, remove the lint door/drawer.

With the skid removed, to make it easier to slide the dryer into its final position, slightly lower **ALL** four (4) leveling legs, so that the dryer will slide on the legs instead of the base frame.

#### Leveling Dryer

The dryer is equipped with four (4) leveling legs, one (1) at each corner of the base. Two (2) are located at the rear of the dryer base, and two (2) are located in the lint chamber (coop). To increase bearing life and improve efficiency, the dryer **should be** tilted slightly to the rear.

### B. LOCATION REQUIREMENTS

Before installing the dryer, be sure the location conforms to local codes and ordinances. In the absence of such codes or ordinances the location **must conform** with the National Fuel Gas Code ANSI.Z223.1 LATEST EDITION, or in Canada, the installation **must conform** to applicable Canadian Standards: CAN/CGA-B149.1-M91 (Natural Gas) or CAN/CGA-B149.2-M91 (L.P. Gas) or LATEST EDITION (for General Installation and Gas Plumbing).

1. The dryer **must be** installed on a sound level floor capable of supporting its weight. Carpeting **must be** removed from the floor area that the dryer is to rest on.

**IMPORTANT:** “The dryer *must be* installed on noncombustible floors only.”

2. The dryer **must not be** installed or stored in an area where it will be exposed to water and/or weather.
3. The dryer is for use in noncombustible locations.

4. Provisions for adequate air supply **must be** provided as noted in this manual (refer to **Fresh Air Supply Requirements** in **Section D**).
5. Clearance provisions **must be** made from combustible construction as noted in this manual (refer to **Dryer Enclosure Requirements** in **Section C**).
6. Provisions **must be** made for adequate clearances for servicing and for operation as noted in this manual (refer to **Dryer Enclosure Requirements** in **Section C**).
7. The dryer **must be** installed with a proper exhaust duct connection to the outside as noted in this manual (refer to **Exhaust Requirements** in **Section E**).
8. Dryer **must be** located in an area where correct exhaust venting can be achieved as noted in this manual (refer to **Exhaust Requirements** in **Section E**).

**IMPORTANT:** Dryer *should be* located where a minimum amount of exhaust duct **will be** necessary.

9. The dryer **must be** installed with adequate clearance for air openings into the combustion chamber.

**CAUTION:** This dryer produces combustible lint and *must be* exhausted to the outdoors. Every 6 months, inspect the exhaust ducting and remove any lint buildup.

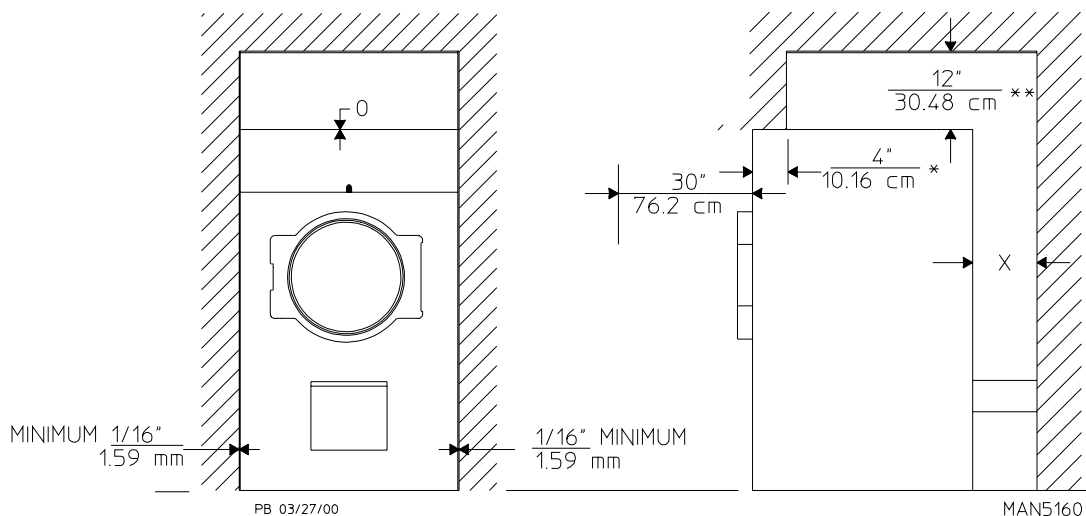
**IMPORTANT:** Dryer *must be* installed in a location/environment, which the ambient temperature remains between 40° F (4.44° C) and 130° F (54.44° C).

## C. DRYER ENCLOSURE REQUIREMENTS

Bulkheads and partitions **should be** made of noncombustible materials and **must be** located a minimum of 12-inches (30.48 cm) above the dryer's outer top; except along the front of the dryer, which may be closed if desired.

**NOTE:** Allowances *must be* made for opening the control door.

**NOTE:** With the exception of the floor, clearances shown are for combustible construction.



X = 12-inch (30.48 cm) minimum, 24-inches (60.96 cm) is suggested for ease of maintenance.

\* Not applicable.

\*\* A minimum of 12-inches (30.48 cm) above the dryer's outer top; except along the front of the dryer, which may be closed if desired.

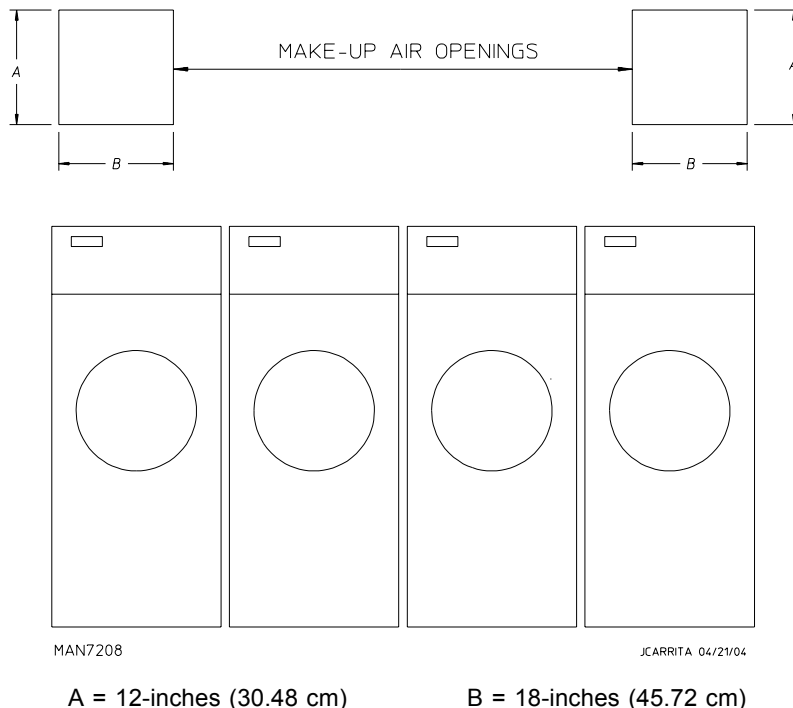
**NOTE:** Air considerations are important for proper and efficient operation.

Dryers may be positioned sidewall to sidewall. However, a 1/16" (1.59 mm) minimum allowance **must be** made for opening and closing of the control door. It is suggested that the dryer be positioned about 2 feet (0.61 meters) away from the nearest obstruction for ease of installation, maintenance, and service (to be measured from the back guard). Refer to the **illustration** on the previous page for details.

#### D. FRESH AIR SUPPLY REQUIREMENTS

The dryer **must be** installed with provisions for adequate combustion and make-up air supply. As a general rule, an unrestricted air entrance from the outdoors (atmosphere) of 1 square foot (0.09 square meters) is required for each dryer (based on 1 square inch per 1,000 Btu [251.9958 kcal]). If registers or louvers are installed over the openings, then the area **must be** increased. It is not necessary to have separate make-up air openings for each dryer. Common make-up air openings are acceptable. However, they **must be** set up in such a manner that the make-up air is distributed equally to the dryers.

**EXAMPLE:** For a bank of four (4) dryers, two (2) unrestricted openings measuring 12-inches by 18-inches (30.48 cm by 45.72 cm) are acceptable. (Based on 1 inch<sup>2</sup> [6.4516 cm<sup>2</sup>] per 1,000 Btu [251.9958 kcal].)



**IMPORTANT:** Make-up air openings **should not be** located in an area directly near where exhaust vents exit the building.

Allowances **must be** made for remote or constricting passageways or where dryers are located at excessive altitudes or predominantly low pressure areas.

**IMPORTANT:** Make-up air **must be** provided from a source free of contaminating fumes such as dry cleaning solvent fumes. Make-up air that is contaminated by dry cleaning solvent fumes will result in irreparable damage to the motors and other dryer components.

**NOTE:** Component failure due to dry cleaning solvent fumes will VOID THE WARRANTY.

## E. EXHAUST REQUIREMENTS

Exhaust ductwork **should be** designed and installed by a qualified professional. Improperly sized ductwork will create excessive back pressure which results in slow drying, increased use of energy, and shutdown of the burner by the airflow (sail) switch, burner hi-limits, or lint chamber hi-limit protector thermostat. The dryer **must be** installed with a proper exhaust duct connection to the outside.

When possible, it is suggested to provide a separate (single) exhaust duct for each dryer.

**CAUTION:** This dryer produces combustible lint and **must be** exhausted to the outdoors.

**CAUTION: IMPROPERLY SIZED OR INSTALLED EXHAUST DUCTWORK CAN CREATE A POTENTIAL FIRE HAZARD.**

The exhaust ductwork **should be** laid out in such a way that the ductwork travels as directly as possible to the outdoors with as few turns as possible. The shape of the ductwork is not critical provided that the minimum cross section area is maintained. Single or independent dryer venting is recommended.

It is suggested that the use of 90° turns be avoided; use 30° or 45° angles instead.

The ductwork **should be** smooth inside with no projections from sheet metal screws or other obstructions, which will collect lint. When adding ducts, the ducts to be added should overlap the duct to which it is connected. **ALL** ductwork joints **must be** taped to prevent moisture and lint from escaping into the building. Additionally, inspection doors **should be** installed at strategic points in the exhaust ductwork for periodic inspection and cleaning.

**IMPORTANT:** When connecting ductwork to the dryer exhaust duct, be sure that when screws are used they **DO NOT** restrict the operation (both opening and closing) of the damper.

**NOTE:** When the exhaust ductwork passes through a wall, ceiling, or roof made of combustible materials, the opening **must be** 2-inches (5.08 cm) larger than the duct (all the way around). The duct **must be** centered within this opening.

To protect the outside end of the horizontal ductwork from the weather, a 90° elbow bent downward **should be** installed where the exhaust exits the building. If the ductwork travels vertically up through the roof, it **should be** protected from the weather by using a 180° turn to point the opening downward. In either case, allow at least twice the diameter of the duct between the duct opening and the nearest obstruction (i.e., roof or ground level).

**IMPORTANT:** **DO NOT** use screens, louvers, or caps on the outside opening of the exhaust ductwork.

**IMPORTANT:** Exhaust back pressure measured by a manometer at the dryer exhaust duct area **must be** no less than 0 and **must not exceed** 0.3 inches (0.74 mb) of water column (W.C.).

**IMPORTANT:** **It is recommended** that exhaust or booster fans not be used in the exhaust ductwork system.

**NOTE:** As per the National Fuel Gas Code, “Exhaust ducts for Type 2 clothes dryers shall be constructed of sheet metal or other noncombustible material. Such ducts shall be equivalent in strength and corrosion resistance to ducts made of galvanized sheet steel not less than 26 gauge (0.0195-inches [0.50 mm]) thick.”

# SINGLE DRYER VENTING

**IMPORTANT:** For extended ductwork runs, the cross section area of the ductwork can only be increased to an extent. When the ductwork approaches the maximum limits as noted in this manual, a professional heating, ventilating, and air-conditioning (HVAC) firm should be consulted for proper venting information.

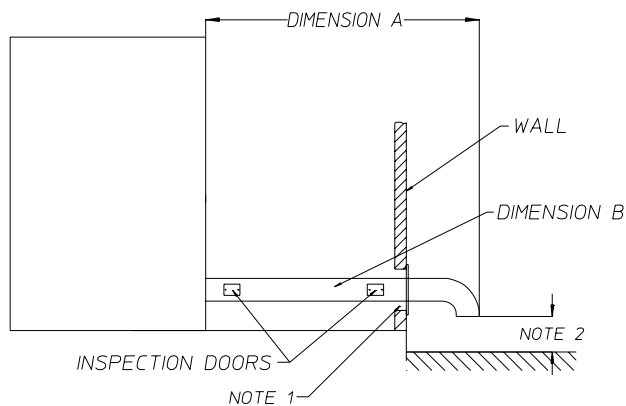
## Horizontal Venting

When horizontal dryer venting is used, the length of the ductwork from the dryer to the outside exhaust outlet, **must not exceed** Dimension A (30 feet [9.144 meters]). The minimum diameter of this ductwork **must be** at least Dimension B (8-inches [20.32 cm]). Including basket (tumbler)/dryer elbow connections or elbows used for outside protection from the weather, no more than one (1) elbow **should be** used in the exhaust duct run. If more than one (1) elbow is used, the cross-sectional area of the ductwork **must be** increased.

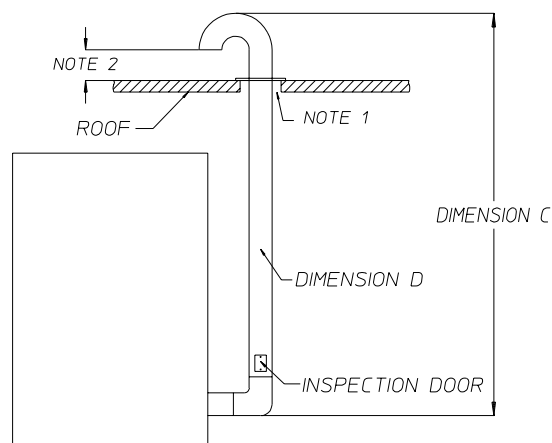
## Vertical Venting

When vertical dryer venting is used, the length of the ductwork from the dryer to the outside exhaust outlet, **must not exceed** Dimension C (20 feet [6.096 meters]). The minimum diameter of this ductwork **must be** at least Dimension D (8-inches [20.32 cm]). Including basket (tumbler)/dryer elbow connections or elbows used for outside protection from the weather, no more than three (3) elbows **should be** used in the exhaust duct run. If more than three (3) elbows are used, the cross-sectional area of the ductwork **must be** increased.

*HORIZONTAL DUCTING*



*VERTICAL DUCTING*



MAN7211

JCARRITA 04/21/04

**NOTE 1** Opening must be 2-inches (5.08 cm) larger than the duct (all the way around). The duct must be centered within this opening.  
**NOTE 2** Distance should be 2 times the diameter of the duct to the nearest obstruction.

# MULTIPLE DRYER (COMMON) VENTING

**IMPORTANT:** For extended ductwork runs, the cross section area of the ductwork can only be increased to an extent. When the ductwork approaches the maximum limits as noted in this manual, a professional heating, ventilating, and air-conditioning (HVAC) firm should be consulted for proper venting information.

If it is not feasible to provide separate exhaust ducts for each dryer, ducts from individual dryers may be channeled into a “common main duct.” The individual ducts should enter the bottom or side of the main duct at an angle not more than 45° in the direction of airflow. The main duct **should be** tapered, with the diameter increasing before each individual duct is added. The minimum diameter of the individual ductwork (Dimension A) **must be** at least 8-inches (20.32 cm).

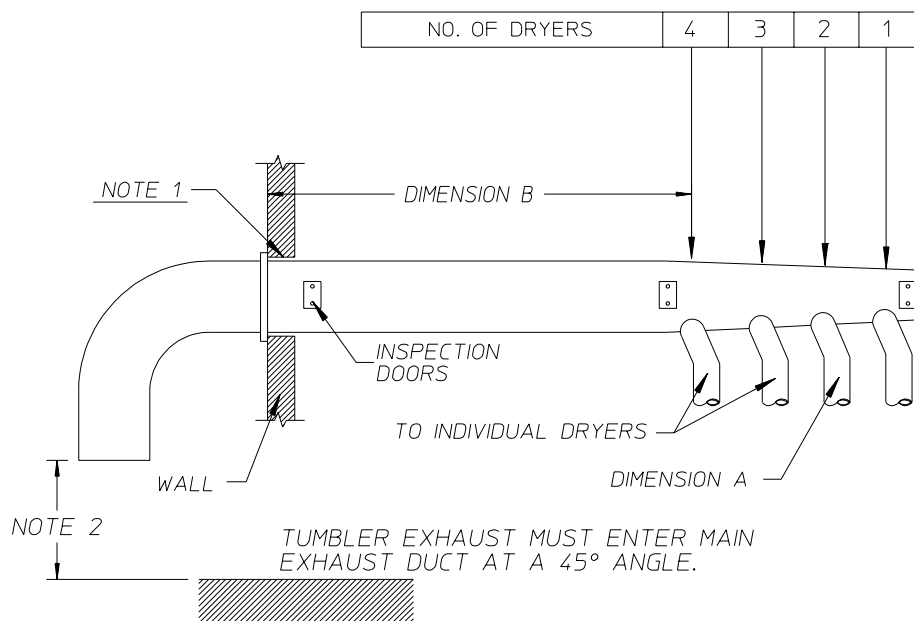
**IMPORTANT:** No more than four (4) dryers **should be** connected to one (1) main common duct.

The **illustration below** shows the minimum cross-sectional area for multiple dryer round or square venting. These figures **must be** increased if the main duct run from the last dryer to where it exhausts to the outdoors is longer than Dimension B or has more than one (1) elbow in it.

For gas models Dimension B is 20 feet (6.096 meters).

## Multiple Dryer Venting (Gas) with 8-Inch (20.32 cm) Diameter 460 cfm (13 cmm) Exhaust Connections at Common Duct

NUMBER OF DRYERS		4	3	2	1
MINIMUM CROSS-SECTIONAL AREA	SQ IN	164	120	80	54
	SQ CM	1058	774	516	348
MINIMUM ROUND DUCT DIAMETER	IN	14	12	10	8
	CM	35.56	30.48	25.4	20.32



JCARRITA 04/21/04

MAN7212

**NOTE 1** Opening must be 2-inches (5.08 cm) larger than the duct (all the way around). The duct must be centered within this opening.  
**NOTE 2** Distance should be 2 times the diameter of the duct to the nearest obstruction.

## F. ELECTRICAL INFORMATION

### 1. Electrical Requirements

**ALL electrical connections must be made by a properly licensed and competent electrician.** This is to ensure that the electrical installation is adequate and conforms to local and state regulations or codes. In the absence of such codes, **ALL** electrical connections, materials, and workmanship **must conform** to the applicable requirements of the National Electrical Code ANSI/NFPA NO. 70-LATEST EDITION or in Canada, the Canadian Electrical Codes Parts 1 & 2 CSA C22.1-1990 or LATEST EDITION.

**IMPORTANT:** Failure to comply with these codes or ordinances, and/or the requirements stipulated in this manual can result in personal injury or component failure.

**NOTE:** Component failure due to improper installation will VOID THE WARRANTY.

Each dryer **should be** connected to an independently protected branch circuit. The dryer **must be** connected with copper wire only. ***DO NOT use aluminum wire; it could create a fire hazard.*** The copper conductor wire/cable **must be** of proper ampacity and insulation in accordance with electric codes for making **ALL** service connections.

**NOTE:** The use of aluminum wire will VOID THE WARRANTY.

**IMPORTANT:** A separate protected circuit ***must be*** provided to each dryer.

**NOTE:** An individual ground circuit must be provided to each dryer, do not daisy chain.

**IMPORTANT:** The dryer ***must be*** connected to the electric supply shown on the dryer data label. In the case of 208 VAC or 240 VAC, the supply voltage must match the electric service specifications of the dryer data label **exactly**.

**IMPORTANT:** The wire size ***must be*** properly sized to handle the related current.

**WARNING:** **208 VAC AND 240 VAC ARE NOT THE SAME**. Any damage done to dryer components due to improper voltage connections will automatically VOID THE WARRANTY.

**NOTE:** Component failure due to improper voltage application will VOID THE WARRANTY.

**NOTE:** The manufacturer reserves the right to make changes in specifications at any time without notice or obligation.



## 2. Electrical Service Specifications

ELECTRICAL SERVICE SPECIFICATIONS (PER DRYER)					
<b>IMPORTANT:</b> 208 VAC AND 240 VAC <b>ARE NOT THE SAME</b> . When ordering, <b>specify exact voltage</b> .					
<b>NOTES:</b> A. When fuses are used they <b>must be</b> dual element, time delay, current limiting, class RK1 or RK5 <b>ONLY</b> . Calculate/determine correct fuse value, by applying either local and/or National Electrical Codes to listed appliance amp draw data. B. Circuit breakers are thermal-magnetic (industrial) motor curve type <b>ONLY</b> . For others, calculate/verify correct breaker size according to appliance amp draw rating and type of breaker used.					
SERVICE VOLTAGE	PHASE	WIRE SERVICE	APPROX. AMP DRAW		CIRCUIT BREAKER
			60 Hz	50 Hz	
120	1 $\phi$	2	8.7	4.6	15

6/25/08

## 3. Grounding

A ground (earth) connection **must be** provided and installed in accordance with state and local codes. In the absence of these codes, grounding **must conform** to applicable requirements of the National Electrical Code ANSI/NFPA NO. 70-LATEST EDITION, or in Canada, the installation **must conform** to applicable Canada Standards: Canadian Electrical Codes Parts 1 & 2 CSA C22.1-1990 or LATEST EDITION. The ground connection may be to a proven earth ground at the location service panel.

For added personal safety, when possible, it is suggested that a separate ground wire be connected from the ground connection of the dryer to a grounded cold water pipe. **DO NOT ground to a gas pipe or hot water pipe**. The grounded cold water pipe must have metal-to-metal connection **ALL** the way to the electrical ground. If there are any nonmetallic interruptions, such as, a meter, pump, plastic, rubber, or other insulating connectors, they **must be** jumped out with no. 4 copper wire and securely clamped to bare metal at both ends.

**IMPORTANT:** For personal safety and proper operation, the dryer **must be** grounded.

Provisions are made for ground connection in each dryer at the electrical service connection area.

## 4. Electrical Connections

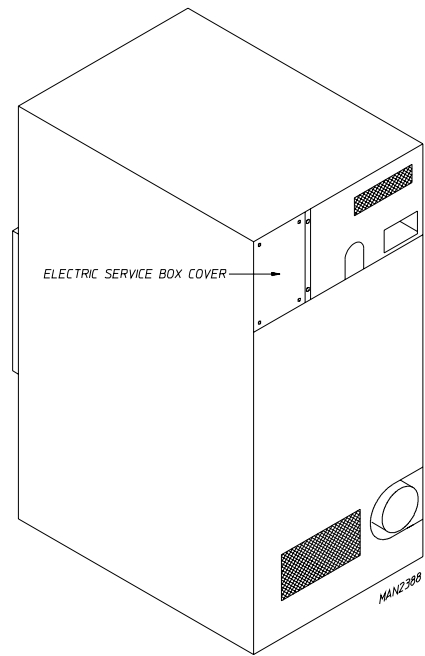
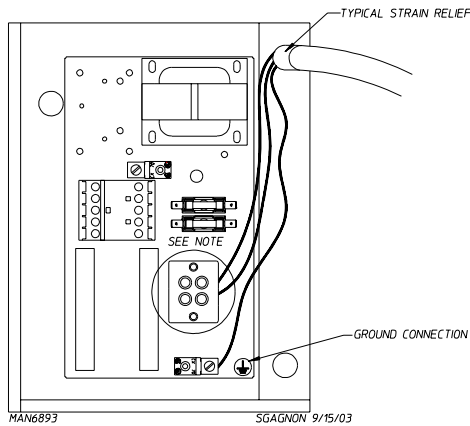
A wiring diagram is located inside the control box for connection data.

If local codes permit, power to the dryer can be made by the use of a flexible U.L. listed power cord/pigtail (wire size **must conform** to rating of dryer), or the dryer can be hard wired directly to the service breaker panel. In both cases, a strain relief **must be** installed where the wiring enters the dryer.

**IMPORTANT:** A separate protected circuit **must be** provided to each dryer.

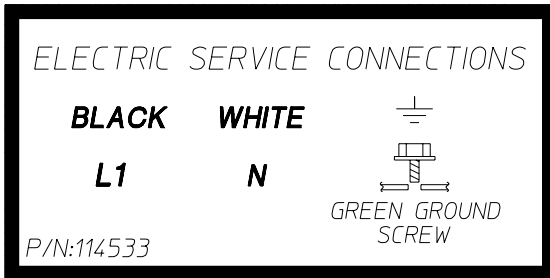
a. Single-Phase (1Ø) Wiring Connections/Hookup

The electrical input connections on **ALL** single-phase (1Ø) gas dryers are made into the rear service box located at the upper left area of the dryer.



Single-Phase Electrical Lead Connections		
Black + Positive	White or Red + Neutral or L2	Green + Ground

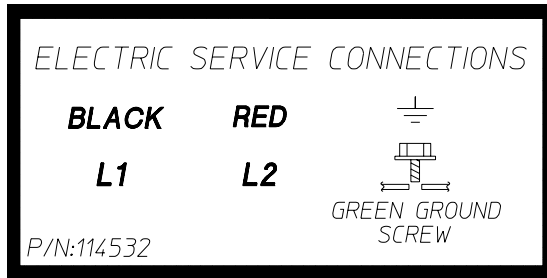
FOR 110V APPLICATIONS



MAN6886

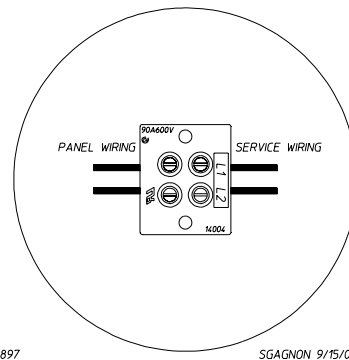
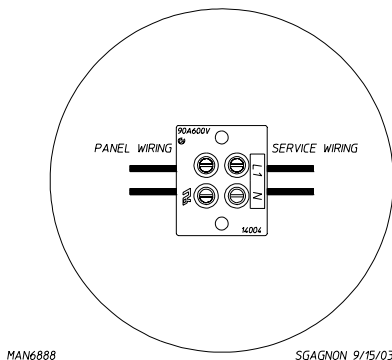
SGAGNON 9/15/03

FOR 208-240V APPLICATIONS



MAN6887

SGAGNON 9/15/03



A ground lug is provided in the rear electrical box to connect your service ground.

## G. GAS INFORMATION

It is your responsibility to have **ALL** plumbing connections made by a qualified professional to ensure that the gas plumbing installation is adequate and conforms to local and state regulations or codes. In the absence of such codes, **ALL** plumbing connections, materials, and workmanship **must conform** to the applicable requirements of the National Fuel Gas Code ANSI Z223.1-LATEST EDITION, or in Canada, the Canadian Installation Codes CAN/CGA-B149.1-M91 (Natural Gas) or CAN/CGA-B149.2-M91 (Liquid Propane [L.P.] Gas) or LATEST EDITION.

**IMPORTANT: FAILURE TO COMPLY WITH CODES OR ORDINANCES, AND/OR REQUIREMENTS IN THIS MANUAL, CAN RESULT IN PERSONAL INJURY AND IMPROPER OPERATION OF THE DRYER.**

The dryer and its individual shutoff valves **must be** disconnected from the gas supply piping system during any pressure testing of that system at test pressures in excess of 1/2 psig (3.5 kPa). The dryer **must be** isolated from the gas supply piping system by closing its individual manual shutoff valve during any pressure test of the gas supply piping system at test pressures equal to or less than 1/2 psig (3.5 kPa).

**IMPORTANT:** Failure to isolate or disconnect the dryer from supply as noted can cause irreparable damage to the gas valve, which will VOID THE WARRANTY.

**WARNING: FIRE OR EXPLOSION COULD RESULT DUE TO FAILURE OF ISOLATING OR DISCONNECTING THE GAS SUPPLY AS NOTED.**

### 1. Gas Supply

The gas dryer installation **must meet** the American National Standard...National Fuel Gas Code ANSI Z223.1-LATEST EDITION, or in Canada, the Canadian Installation Codes CAN/CGA-B149.1 M91 (Natural Gas) or CAN/CGA-B149.2-M91 (L.P. Gas) or LATEST EDITION, as well as local codes and ordinances and **must be** done by a qualified professional.

**NOTE:** Undersized gas piping will result in ignition problems, slow drying, increased use of energy, and can create a safety hazard.

The dryer **must be** connected to the type of heat/gas indicated on the dryer data label. If this information does not agree with the type of gas available, **DO NOT operate the dryer**. Contact the dealer who sold the dryer or contact the **Maytag Co.**

**IMPORTANT:** Any burner changes or conversions **must be** made by a qualified professional.

The input ratings shown on the dryer data label are for elevations up to 2,000 feet (610 meters), unless elevation requirements of over 2,000 feet (610 meters) were specified at the time the dryer order was placed with the factory. The adjustment or conversion of dryers in the field for elevations over 2,000 feet (610 meters) is made by changing each burner orifice. If this conversion is necessary, contact the dealer who sold the dryer or contact the **Maytag Co.**

2. Technical Gas Data

a. Gas Specifications

<b>TYPE OF GAS</b>				
	NATURAL		LIQUID PROPANE	
Manifold Pressure*	3.5 inches W.C.	8.7 mb	10.5 inches W.C.	26.1 mb
In-Line Pressure	6.0 - 12.0 inches W.C.	14.92 - 29.9 mb	11.0 inches W.C.	27.4 mb

*Shaded areas are stated in metric equivalents*

\*Measured at outlet side of gas valve pressure tap when gas valve is on.

b. Gas Connections

Inlet connection ..... 1/2" N.P.T.  
 Inlet supply size ..... 1/2" Diameter Pipe (minimum)  
 Heat input (per dryer) ..... 100,000 Btu/hr (25,200 kcal/hr)

1) Natural Gas

Regulation is controlled by the dryer's gas valve's internal regulator. Incoming supply pressure **must be** consistent between a minimum of 6.0 inches (14.92 mb) and a maximum of 12.0 inches (29.9 mb) water column (W.C.) pressure.

2) Liquid Propane (L.P.) Gas

Dryers made for use with L.P. gas have the gas valve's internal pressure regulator blocked open so that the gas pressure **must be** regulated upstream of the dryer. The pressure measured at each gas valve pressure tap **must be** a consistent 10.5 inches (26.1 mb) water column. There is no regulator or regulation provided in an L.P. dryer. The pressure **must be** regulated at the source (L.P. tank) or an external regulator **must be** added to each dryer.

<b>TYPE OF GAS</b>								
Btu Per Hour Rating	kcal/hr Rating	Natural			Liquid Propane			Liquid Propane Conversion Kit Part Number
		Qty.	D.M.S.*	Part Number	Qty.	D.M.S.*	Part Number	
100,000	25,200	2	#29	140820	2	#46	140806	883321

*Shaded area is stated in metric equivalent*

\* Drill Measurement Size (D.M.S.) equivalents are as follows:

Natural Gas ..... #29 = 0.1360" (3.4540 mm).  
 Liquid Propane Gas ..... #46 = 0.810" (2.0574 mm).

### 3. Piping Connections

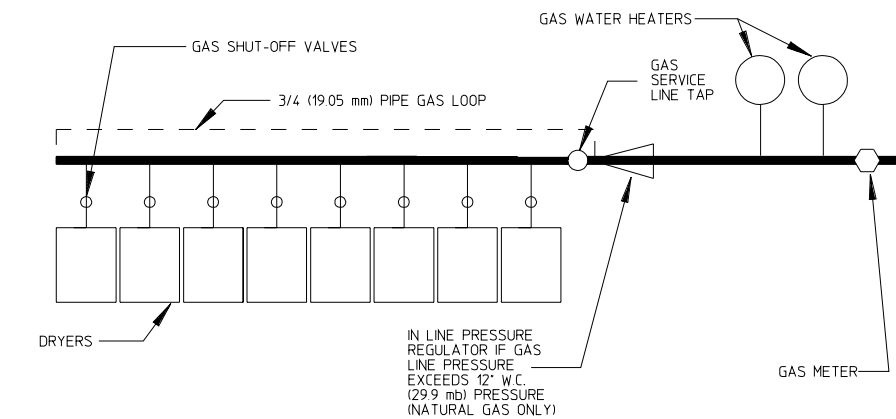
**ALL** components/materials **must conform** to National Fuel Gas Code Specifications ANSI Z223.1-LATEST EDITION, or in Canada, CAN/CGA-B149.1-M91 (Natural Gas) or CAN/CGA-B149.2-M91 (Liquid Propane [L.P.] Gas) or LATEST EDITION (for General Installation and Gas Plumbing), as well as local codes and ordinances and **must be** done by a qualified professional. It is important that gas pressure regulators meet applicable pressure requirements, and that gas meters be rated for the total amount of **ALL** the appliance Btu being supplied.

The dryer is provided with a 1/2" N.P.T. inlet pipe connection extending out the back area of the burner box. The minimum pipe size (supply line) to the dryer is 1/2" diameter. For ease in servicing, the gas supply line of each dryer must have its own shutoff valve.

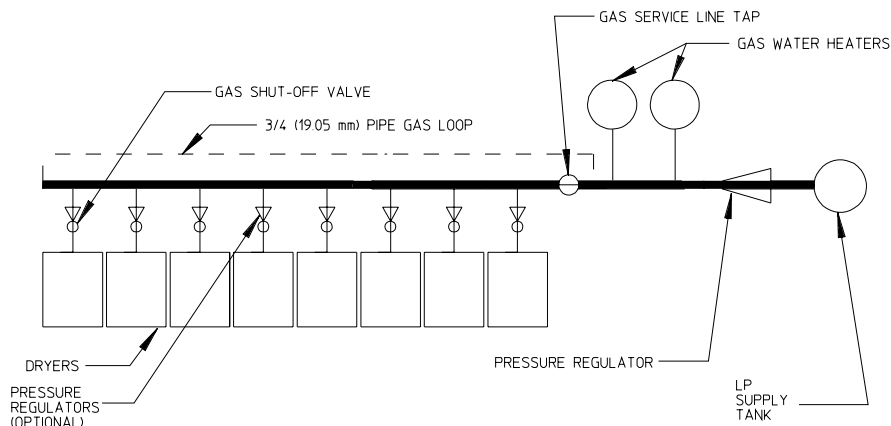
The size of the main gas supply line (header) will vary depending on the distance this line travels from the gas meter or, in the case of L.P. gas, the supply tank, other gas-operated appliances on the same line, etc. Specific information regarding supply line size **should be** determined by the gas supplier.

**NOTE:** Undersized gas supply piping can create a low or inconsistent pressure, which will result in erratic operation of the burner ignition system.

Consistent gas pressure is essential at **ALL** gas connections. It is recommended that a 3/4-inch (19.05 mm) pipe gas loop be installed in the supply line servicing a bank of dryers. An in-line pressure regulator **must be** installed in the gas supply line (header) if the (natural) gas pressure exceeds 12.0 inches (29.9 mb) of water column (W.C.) pressure. (Refer to the **illustrations** below.)



TYPICAL NATURAL GAS INSTALLATION



TYPICAL L.P. GAS INSTALLATION

PB 03/27/00

MAN5138

**NOTE:** A water column test pressure of 3.5 inches (8.7 mb) for natural gas and 10.5 inches (26.1 mb) for liquid propane (L.P.) dryers is required at the gas valve pressure tap of each dryer for proper and safe operation.

A 1/8" N.P.T. plugged tap, accessible for a test gauge connection, **must be** installed in the main gas supply line immediately upstream of each dryer.

**IMPORTANT:** Pipe joint compounds that resist the action of natural gas and L.P. gas **must be** used.

**IMPORTANT:** Test **ALL** connections for leaks by brushing on a soapy water solution (liquid detergent works well).

**WARNING: NEVER TEST FOR LEAKS WITH A FLAME!!!**

**IMPORTANT:** The dryer and its individual shutoff valve **must be** disconnected from the gas supply piping system during any pressure testing of that system at test pressures in excess of 1/2 psig (3.5 kPa).

**NOTE:** The dryer **must be** isolated from the gas supply piping system by closing its individual manual shutoff valve during any pressure test of the gas supply system at test pressures equal to or less than 1/2 psig (3.5 kPa).

## H. PREPARATION FOR OPERATION/START-UP

The following items **should be** checked before attempting to operate the dryer:

1. Read **ALL** “CAUTION,” “WARNING,” and “DIRECTION” labels attached to the dryer.
2. Check incoming supply voltage to be sure that it is the same as indicated on the dryer data label.
3. **GAS MODELS** – check to ensure that the dryer is connected to the type of gas indicated on the dryer data label.
4. **GAS MODELS** – the sail switch damper assembly was installed and adjusted at the factory prior to shipping. However, each sail switch adjustment **must be** checked to ensure that this important safety control is functioning.
5. Check bolts, nuts, screws, terminals, and fittings for tightness and security.
6. **GAS MODELS** – be sure that **ALL** gas shutoff valves are in the open position.
7. Check that **ALL** back guard panels and service box covers have been replaced.
8. Check the lint door/drawer to ensure that it is closed and secured in place.
9. Rotate the basket (tumbler/drum) by hand to be sure it moves freely.
10. Check basket (tumbler) bearing setscrews to ensure that they are **ALL** tight.
11. Check vent is connected to the dryer and is exhausted to the outdoors.

## I. PREOPERATIONAL TESTS

**ALL** dryers are thoroughly tested and inspected before leaving the factory. However, a preoperational test **should be** performed before the dryer is publicly used. It is possible that adjustments have changed in transit or due to marginal location (installation) conditions.

1. Turn on electric power to the dryer.
2. Refer to the Operating Instructions for starting your particular model dryer.
3. **GAS MODELS ONLY**
  - a. When a gas dryer is first started (during initial start-up), it has a tendency not to ignite on the first ignition attempt. This is because the gas supply piping is filled with air, so it may take a few minutes for the air to be purged from the lines.

**NOTE:** During the purging period, check to be sure that **ALL** gas shutoff valves are open.

**NOTE:** Gas model dryers are equipped with an ignition system, which has internal diagnostics. If ignition **is not** established after one (1) time, the heat circuit in the ignition module will attempt two (2) more ignitions (total of three [3] ignition attempts). If there is no flame after the third ignition attempt the module will lock out until it is manually reset. To reset the ignition system, open and close the main door and restart the dryer.

- b. A gas pressure test **should be** taken at the gas valve pressure tap of each dryer to ensure that the water column (W.C.) pressure is correct and consistent.

**NOTE:** Water column pressure requirements (measured at the pressure tap of the gas valve body):

Natural Gas ..... 3.5 Inches (8.7 mb) Water Column.  
Liquid Propane (L.P.) Gas ..... 10.5 Inches (26.1 mb) Water Column.

**IMPORTANT:** There is no regulator provided in an L.P. dryer. The water column pressure **must be** regulated at the source (L.P. tank), or an external regulator **must be** added to each dryer.

4. Make a complete operational check of **ALL** safety related circuits:
  - a. Door Switch(es)
  - b. Hi-Limit Thermostats
  - c. Cycling Thermostat
  - d. Sail Switch

**NOTE:** The sail switch can be checked for proper operation by opening the lint door/drawer. While pushing the lint door/drawer switch in, start a drying cycle. The heating unit **should not** activate (wait 30-seconds). If heat does activate, make the necessary adjustments to the sail switch.

5. Make a complete operational check of **ALL** operating controls.

**NOTE:** If computer program changes are required, refer to the computer programming section of the manual supplied with the dryer.

- The dryer **should be** operated through one (1) complete cycle to ensure that no further adjustments are necessary and that **ALL** components are functioning properly.

### BASKET (TUMBLER) COATING

The basket (tumbler) is treated with a protective coating. We suggest dampening old garments or cloth material with a solution of water and nonflammable mild detergent and tumbling them in the basket (tumbler) to remove this coating.

## J. PREOPERATIONAL INSTRUCTIONS

### Microprocessor Controller (Computer) Models

- The light emitting diode (L.E.D.) display reads “READY” (no cycle in progress).
- Press the letter on the keyboard (touch pad) corresponding to the cycle desired (i.e., key “D”).
- The dryer will then start. (I.E., blower, basket [tumbler], and heat).
- The L.E.D. display will read MANUAL DRYING CYCLE D, 00:00 MIN REMAIN.

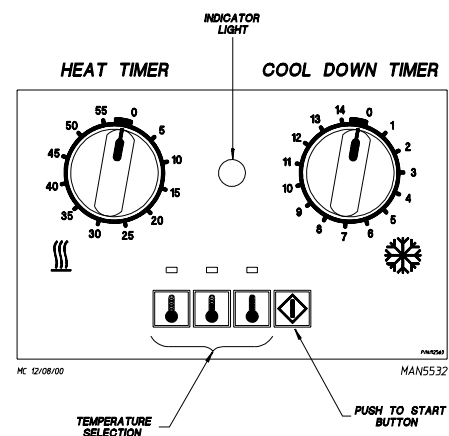
**NOTE:** The dryer can be stopped at any time by pressing the “STOP/CLEAR” key, at this time the dryer will go into a cycle pause. If the “STOP/CLEAR” key is pressed again at this point, the cycle that was in progress **will be** cancelled and returned to the “READY” state.

- When the programmed drying time has expired, the Phase 7 non-coin microprocessor controller (computer) will proceed into the Cool Down Cycle.
- Once the Cool Down Cycle begins at the end of the heat cycle, the L.E.D. display will read COOL DOWN TEMP \_\_\_/\_\_\_ MINUTES REMAINING. At the end of the heat cycle, the dryer will shut off the heat and continue the fan and basket (tumbler) until the Cool Down Time or temperature is reached.

**IMPORTANT:** For more detailed information regarding the microprocessor controller (computer) on the dryer, refer to the microprocessor user’s manual included with the dryer.

## DUAL TIMER DRYERS

- Turn drying timer knob for a time of 20 minutes.
- Select “High Temp.”
- Push “Push to Start” button.
- To stop dryer, open the main door.



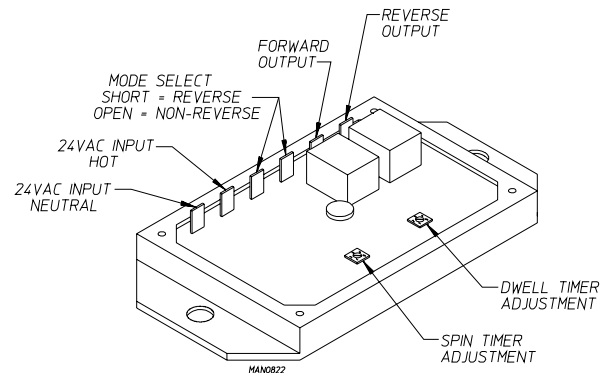


## REVERSING TIMER SPIN/DWELL ADJUSTMENTS

Timer models have an electronic reversing timer in the electrical service box, which is located in the upper left rear area of the dryer.

Both the Dwell (stop) Time and the basket (tumbler) Spin Time are adjustable by mode selection switches located on the electronic timer (as noted in the **illustration below**).

TIMING LEGEND					
<b>SPIN TIME</b>					
Adjustment Position Number	1	2	3	4	5
Time in Seconds*	30	60	90	120	150
<b>DWELL (STOP) TIME</b>					
Adjustment Position Number	1	2	3	4	5
Time in Seconds*	5	6.3	7.6	8.9	10.2
* Values shown are +/- 1-second.					



## K. SHUTDOWN INSTRUCTIONS

If the dryer is to be shutdown (taken out of service) for a period of time, the following **must be** performed:

1. Discontinue power to the dryer either at the external disconnect switch or the circuit breaker.
2. Discontinue the heat supply:

***GAS MODELS*** – discontinue the gas supply.

- a. **SHUT OFF external gas supply shutoff valve.**
- b. **SHUT OFF internal gas supply shutoff valve located in the gas valve burner area.**

# SECTION IV

## SERVICE/PARTS INFORMATION

### A. SERVICE

Service **must be** performed by a qualified trained technician, service agency, or gas supplier. If service is required, contact the dealer from whom the **Maytag** equipment was purchased. If the dealer **cannot** be contacted or is unknown, contact the **Maytag Co.** for a dealer in your area.

**NOTE:** When contacting the **Maytag Co.**, be sure to give the correct **model number** and **serial number** so that the inquiry is handled in an expeditious manner.

### B. PARTS

Replacement parts **should be** purchased from the dealer from whom the **Maytag** equipment was purchased. If the dealer **cannot** be contacted or is unknown, contact the **Maytag Co.** for a dealer in your area.

**NOTE:** When ordering replacement parts from the **Maytag** dealer or the **Maytag Co.** be sure to give the correct **model number** and **serial number** so that the parts order can be processed in an expeditious manner.

# SECTION V

## WARRANTY INFORMATION

### A. RETURNING WARRANTY CARDS

1. Before any dryer leaves the manufacturer's test area, a warranty card is placed on the back side of the main door glass. These warranty cards are intended to serve the customer where we record the individual installation date and warranty information to better serve you should you file a warranty claim.

**IMPORTANT:** A separate warranty card *must be* completed and returned for each individual dryer.

**NOTE:** Be sure to include the installation date when returning the warranty card(s).

### B. WARRANTY

For a copy of the manufacturer's commercial warranty covering your particular dryer(s), contact the **Maytag** dealer from whom you purchased the equipment and request a dryer warranty form. If the dealer **cannot** be contacted or is unknown, warranty information can be obtained from the **Maytag Co.**

**NOTE:** Whenever contacting the **Maytag Co.** for warranty information, be sure to have the dryer's **model number** and **serial number** available so that the inquiry can be handled in an expeditious manner.

# SECTION VI

## ROUTINE MAINTENANCE

### A. CLEANING

A program and/or schedule **should be** established for periodic inspection, cleaning, and removal of lint from various areas of the dryer, as well as throughout the ductwork system. The frequency of cleaning can best be determined from experience at each location. Maximum operating efficiency is dependent upon proper air circulation. The accumulation of lint can restrict this airflow. If the guidelines in this section are met, a **Maytag** dryer will provide many years of efficient, trouble free, and most importantly safe operation.

**WARNING: LINT FROM MOST FABRICS IS HIGHLY COMBUSTIBLE. THE ACCUMULATION OF LINT CAN CREATE A POTENTIAL FIRE HAZARD.**

**WARNING: KEEP DRYER AREA CLEAR AND FREE FROM COMBUSTIBLE MATERIALS, GASOLINE, AND OTHER FLAMMABLE VAPORS AND LIQUIDS.**

**NOTE:** Suggested time intervals shown are for average usage which is considered six (6) to eight (8) operational (running) hours per day.

**IMPORTANT:** Dryer produces combustible lint and *must be* exhausted to the outdoors. Every 6 months, inspect the exhaust ducting and remove any lint buildup.

### SUGGESTED CLEANING SCHEDULE

#### ***EVERY THIRD OR FOURTH LOAD***

Clean the lint screen every third or fourth load. A clogged lint screen will cause poor dryer performance. The lint screen is located behind the lint door/drawer. Open the lint door/drawer, brush or vacuum the lint off the lint screen, and remove the lint. Inspect lint screen and replace if torn.

**NOTE:** The frequency of cleaning the lint screen can best be determined from experience at each location.

#### ***WEEKLY***

Clean lint accumulation from lint chamber, thermostat, and microprocessor temperature sensor (sensor bracket) area.

**WARNING: TO AVOID THE HAZARD OF ELECTRICAL SHOCK, DISCONTINUE ELECTRICAL SUPPLY TO THE DRYER.**

## 90 DAYS

Inspect and remove lint accumulation in customer furnished exhaust ductwork system and from dryer's internal exhaust ducting.

**WARNING: THE ACCUMULATION OF LINT IN THE EXHAUST DUCTWORK CAN CREATE A POTENTIAL FIRE HAZARD.**

**WARNING: DO NOT** OBSTRUCT THE FLOW OF COMBUSTION AND VENTILATION AIR.

**WARNING:** INSPECT AND REMOVE ANY LINT ACCUMULATION, WHICH CAN CAUSE THE BACK DRAFT DAMPER TO BIND OR STICK.

**NOTE:** A back draft damper that is sticking partially closed can result in slow drying and shutdown of heat circuit safety switches or thermostats.

**NOTE:** When cleaning the dryer cabinet(s), avoid using harsh abrasives. A product intended for the cleaning of appliances is recommended.

## B. ADJUSTMENTS

### **7 DAYS AFTER INSTALLATION AND EVERY 6 MONTHS THEREAFTER**

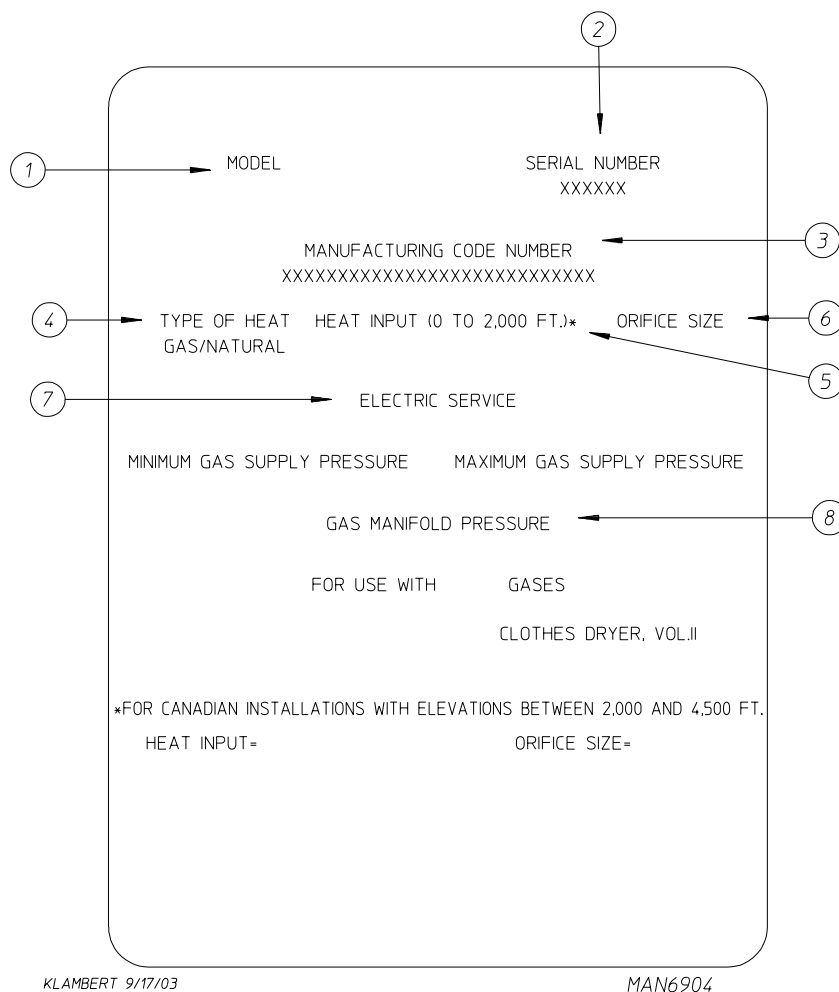
Inspect bolts, nuts, screws, setscrews, grounding connections, and nonpermanent gas connections (unions, shutoff valves, and orifices). Motor and drive belts **should be** examined. Cracked or seriously frayed belts **should be** replaced. Tighten loose V-belts when necessary. Complete an operational check of controls and valves. Complete an operational check of **ALL** safety devices (door switches, lint door/drawer switch, sail switch, burner, and hi-limit thermostats).

## C. LUBRICATION

The motor bearings, idler bearings, and under normal/most conditions the basket (tumbler) bearings are permanently lubricated. It is physically possible to relubricate the basket (tumbler) bearings if you choose to do so even though this practice is not necessary. Use Shell Alvania #2 grease or its equivalent. The basket (tumbler) bearings used in the dryer **DO NOT** have a grease fitting. Provisions are made in the bearing housing for the addition of a grease fitting which can be obtained elsewhere, or from the **Maytag** dealer by ordering kit P/N 882159 (includes two [2] fittings).

# SECTION VII

## DATA LABEL INFORMATION



When contacting the **Maytag** dealer, certain information is required to ensure proper service/parts information. This information is on the dryer data label affixed to the left side panel area behind the top control (access) door. When contacting the **Maytag Co.**, please have the **model number** and **serial number** available.

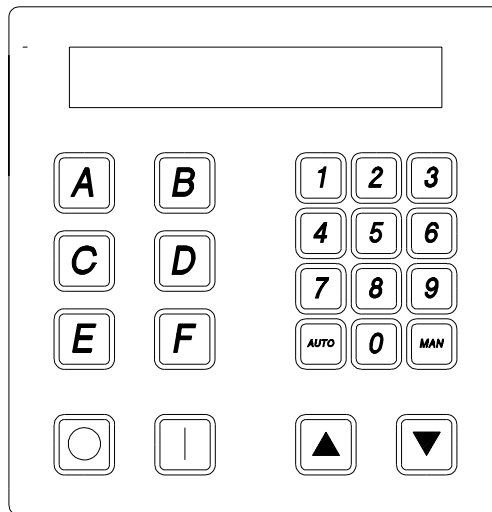
1. **MODEL NUMBER** – Describes the style of dryer and type of heat (gas, electric, or steam).
2. **SERIAL NUMBER** – Allows the manufacturer to gather information on your particular dryer.
3. **MANUFACTURING CODE NUMBER** – The number issued by the manufacturer, which describes **ALL** possible options on your particular model.
4. **TYPE OF HEAT** – This describes the type of heat for your particular dryer, gas (either natural gas or liquid propane [L.P.] gas), electric, or steam.
5. **HEAT INPUT** (for GAS DRYERS) – This describes the heat input in British Thermal Units per Hour (Btu/hr).
6. **ORIFICE SIZE** (for GAS DRYERS) – Gives the number drill size used.
7. **ELECTRIC SERVICE** – This describes the electric service for your particular model.
8. **GAS MANIFOLD PRESSURE** (for GAS DRYERS) – This describes the manifold pressure taken at the gas valve tap.

# SECTION VIII

## PROCEDURE FOR FUNCTIONAL CHECK OF REPLACEMENT COMPONENTS

### 1. Microprocessor Controller (Computer) Board

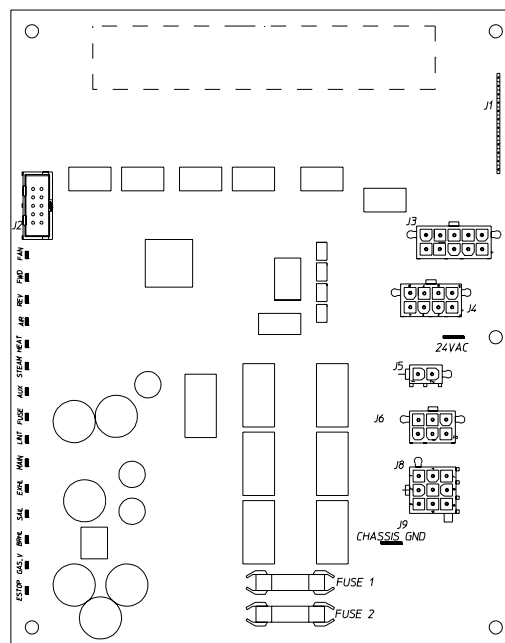
- a. Upon completing installation of the replacement microprocessor controller (computer) board, reestablish power to the dryer.
- b. Start the drying cycle by pressing any of the preset cycles in letters A-F.



MC 8/02/01

MAN5846

- c. Verify that the applicable indicator lights on the back side of the microprocessor controller (computer) board are lit. (Refer to the **illustration below**.)



MAN5825

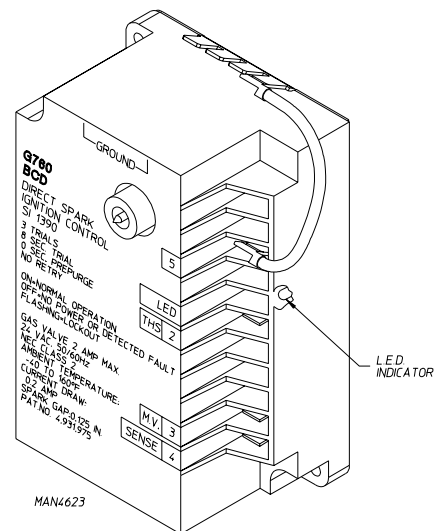
2. For Models with Direct Spark Ignition (DSI) Module (Type I)

Theory of Operation:

Start the drying cycle. When the gas burner ignites within the chosen trial for ignition time (6-seconds), the flame sensor detects gas burner flame and signals the DSI module to keep the gas valve open as long as there is a call for heat. The DSI module will “LOCKOUT” if the gas burner flame is not sensed at the end of the trial for ignition period. The trial for ignition period will be repeated for a total of three (3) retries/trials (the initial try and two [2] more retries/trials). If the flame is not sensed at the end of the third retry/trial (inter-purge period of 30-seconds), the DSI module will “LOCKOUT” (light emitting diode [L.E.D.] diagnostic indicator flashes).

A steady L.E.D. indicator indicates normal operation.

No L.E.D. indicator indicates a power or an internal failure has occurred.



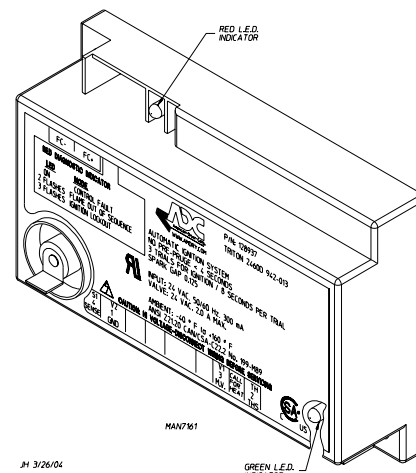
3. For Models with DSI Module (Type II)

Theory of Operation:

Start the drying cycle. When the gas burner ignites within the chosen trial for ignition time (8-seconds), the flame sensor detects gas burner flame and signals the DSI module to keep the gas valve open as long as there is a call for heat. The DSI module will “LOCKOUT” if the gas burner flame is not sensed at the end of the trial for ignition period. The trial for ignition period will be repeated for a total of three (3) retries/trials (the initial try and two [2] more retries/trials). If the flame is not sensed at the end of the third retry/trial (inter-purge period of 30-seconds), the DSI module will “LOCKOUT” (a red L.E.D. diagnostic indicator will flash).

An unlit red L.E.D. diagnostic indicator indicates normal operation.

A lit green L.E.D. diagnostic indicator indicates dryer controller is calling for heat and that **ALL** interlocks have been satisfied.





# SECTION IX

## FIRE SUPPRESSION SYSTEM

### *Fire Suppression System In Action*



The exclusive fire suppression system will extinguish fires that may start in the drying basket (tumbler). A series of sensors positioned throughout the basket (tumbler) and interfaced with the Phase 7 microprocessor controller (computer) will trigger the fire suppression system water jet(s) to extinguish the flames quickly. The water jet(s) remain on for 2 minutes and will automatically activate again if a fire condition remains or reignites. While the water jet(s) are activated, the basket (tumbler) will jog to move the water throughout the load. Until the dryer is attended to, the Phase 7 microprocessor controller (computer) will display that the system was activated.

#### **BEFORE YOU START!**

#### **CHECK LOCAL CODES AND PERMITS**

Call your local water company or the proper municipal authority for information regarding local codes.

**IMPORTANT:** It is your responsibility to have ALL plumbing connections made by a qualified professional to ensure that the plumbing installation is adequate and conforms to local, state, and federal regulations or codes.

**IMPORTANT:** It is the installer's or owner's responsibility to see that the necessary or required water, water pressure, pipe size, or connections are provided. The manufacturer assumes no responsibility if the fire suppression system **is not** connected, installed, or maintained properly.

## INSTALLATION

### 1. Requirements

The fire suppression system **must be** supplied with a minimum water pipe size of 1/2" and be provided with 40 psi +/- 20 psi (2.75 bar +/- 1.37 bar) of pressure. For use of optional manual bypass, a second source with the same piping and pressure requirements is required.

Flexible 1/2 feeds **must be** provided to avoid damage to electric water solenoid valve by vibration.

**IMPORTANT:** Flexible supply line/coupling **must be** used. Solenoid valve failure due to hard plumbing connections WILL VOID WARRANTY.

If the rear area of the dryer or the water supply is located in an area where it will be exposed to cold/freezing temperatures, provisions **must be** made to protect these water lines from freezing.

**WARNING:** If the water in the supply line or water solenoid valve freezes, the fire suppression system **will be** INOPERATIVE!!

**IMPORTANT:** Appliance is to be connected to the water mains using a new hose set and the old hose set **should not be** reused.

### 2. Water Connections:

The water connection is made to the 3/4"-11.5 NH hose adaptor located at the rear upper midsection of the dryer (refer to the photograph).

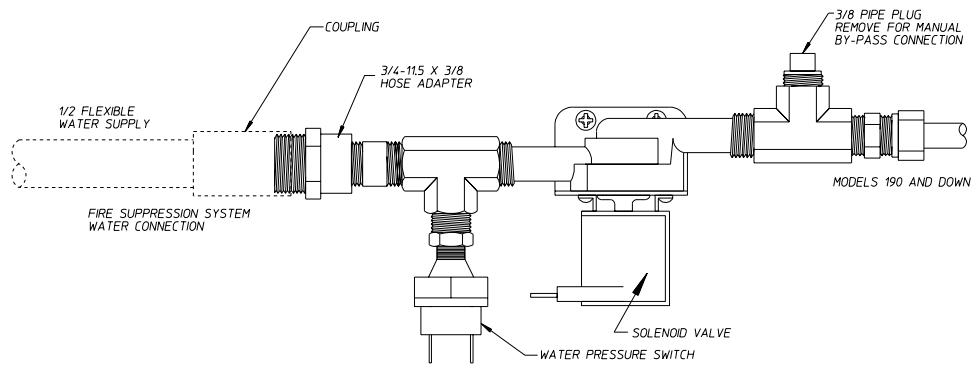
The water solenoid valve has a 3/8" M.P.T. connection supplied with a 3/4"-11.5 NH hose adaptor to provide the minimum 1/2-inch supply (feed) line. Flexible supply line/coupling **must be** used in an effort to avoid damaging the electric water solenoid valve.



**NOTE:** The 3/4"-11.5 NH is a standard hose coupling screw thread. It **is not** to be confused with 3/4" N.P.T. The sealing of an NH connection is made with a washer opposed to the mating threads of an N.P.T. assembly. The two (2) thread designs **are not** compatible.

**IMPORTANT:** Flexible supply line/coupling **must be** used. Solenoid valve failure due to hard plumbing connections WILL VOID WARRANTY. **It is recommended** that a filter or strainer be installed in the water supply line.

# Typical Water Supply



MG 12/3/03

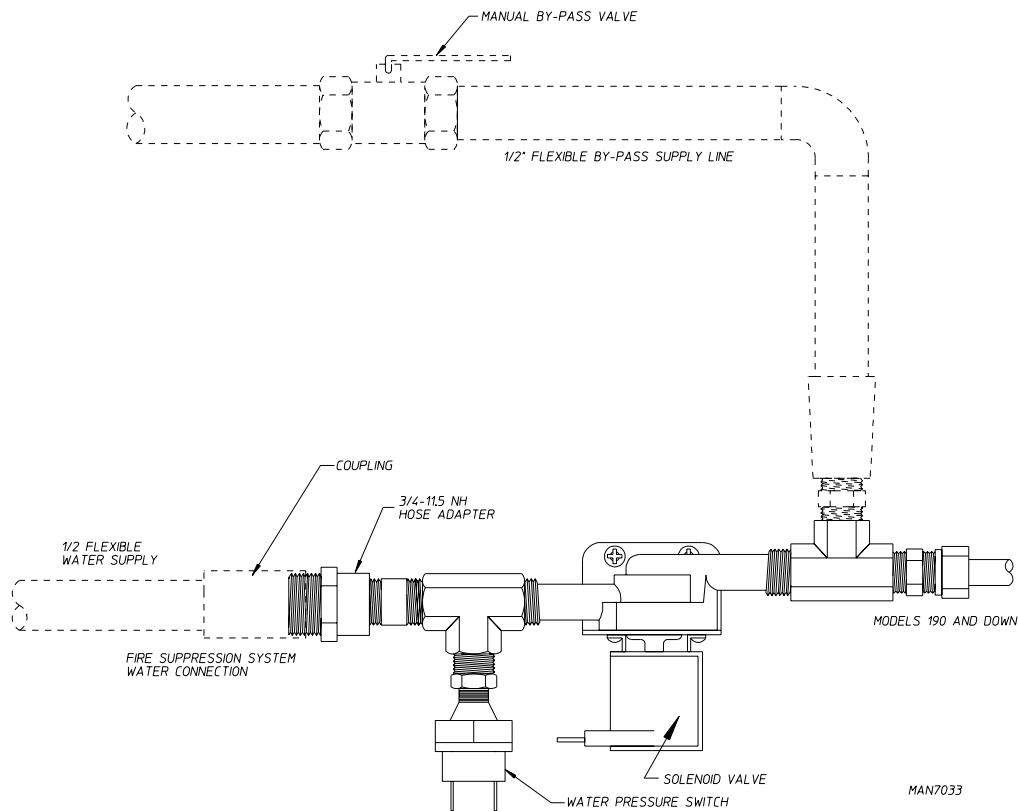
MAN7032

## OPTIONAL MANUAL BYPASS

Provisions are made in the dryer's fire suppression system for the installation of an optional manual bypass. The connections for the manual bypass are made at the "T" or "three way" fitting located in the outlet supply side of the water solenoid valve. The use and connections of this manual bypass are at the option or discretion of the owner.

The water connection for the manual bypass is made to the "T" or "three way" fitting which has a 3/8" F.P.T. and a coupling **must be** used to provide the minimum 1/2" supply (feed) line.

If the rear area of the dryer or the water supply is located in an area where it will be exposed to cold/freezing temperatures, provisions **must be** made to protect these water lines from freezing.



MG 12/3/03

TYPICAL INSTALLATION  
1/2" WATER LINE

MAN7033

**WARNING:** If the water in the supply line or water solenoid valve freezes, the fire suppression system **will be** INOPERATIVE!!



## Free Manuals Download Website

<http://myh66.com>

<http://usermanuals.us>

<http://www.somanuals.com>

<http://www.4manuals.cc>

<http://www.manual-lib.com>

<http://www.404manual.com>

<http://www.luxmanual.com>

<http://aubethermostatmanual.com>

Golf course search by state

<http://golfingnear.com>

Email search by domain

<http://emailbydomain.com>

Auto manuals search

<http://auto.somanuals.com>

TV manuals search

<http://tv.somanuals.com>