

Use & Care Guide
Dishwasher
MAYTAG
MSE 860 FARS



Quick Guide

1. Loading baskets

Remove large food particles and debris. There is **no** need to rinse thanks to the Super Cleaning System™.

2. Dispensing dishwasher detergent

The detergent compartment has a small compartment for pre-wash and one for main wash.

3. Ensure that the spray arms can rotate freely

4. Turn on the main switch








5. Select program and press start

For washing normally soiled mixed loads use the **Normal wash program** with **65°C** and **normal drying**.

To save more water and energy use economy temperature and economy drying.

6. Close the door

Mini Program Guide

Program	Auto wash	Heavy wash	Normal wash	Delicate wash	Quick wash	Rinse & Dry program
Options	--	 	 	 	--	
How the machine works						
Temperature Main wash	40-60°C	70°C	65°C	50°C	30°C	--
Final rinse	60°C	70°C	70°C	60°C	50°C	50°C

Contents

Quick guide	2	Options	13
		Temperature	
		Drying	
Contents	3-4	If the machine is switched off at the main switch	
Before doing your first wash	5		
Read through the directions for use			
Take care with certain materials			
Check the door			
Check water hardness level			
Machines with water softener			
Safety	6	Eco-dishwashing	14
General		Only perform washes with a full machine	
Winter storage/Transport		Wash at a lower temperature	
Overfill protection		Select program with Eco dry	
Cleaning		Do not rinse before dishwashing	
Packaging materials		Choose environmentally-friendly dishwasher detergent	
Scrapping		Connect to cold water supply	
Child safety	7	Settings	15
Child-safe button lock		Reprogramming	
Child-safe dishwashing		Child-safe button lock	
Protect your children! Dishwasher detergent is corrosive		Setting water hardness	
		Setting a signal	
Parts of the dishwasher	8	Press start	16
Technical information	8	Changing options	
Baskets	9	Do you want to load more dishes? After dishwashing	
Control panel	10	Fragile dishes	17
Dispenser	10	Fragile decoration	
Basic Course	11-13	Crystal/ glass	
Load the baskets correctly		Silver	
Dispensing dishwasher detergent		Cutlery with glued handles	
Selecting programs		Wood	
		Aluminium	
		Plastic	
		Protect plastic goods	
		Standard program	18-19
		Cleaning	21-22
		Coarse filter	
		Fine filter	
		Drain pump	
		Spray arms	
		Door	





Rinse aid	23	Fitting strip seal (on floor plinth covering plate) NB! Not all models	
Pour in rinse aid Select dosage			
Salt	24	Setting water hardness	34
Pour in salt		Setting water hardness	
Fault indications	25	Service & guarantee	35
Troubleshooting	26-28	Own comments	36-38
The dishes are not clean Stains or a film on the china The china has a whitish-blue sticky film Stains on stainless steel or silver Stains which remain after dishwashing. Rattling sounds during dishwashing The machine will not start Water remains in the machine Bad odour in the machine		Search words	39
Performance information	29		
Installation	30-34		
Suggestions on positioning the dishwasher A. Built-in B. Freestanding C. Semi-freestanding Connection to water supply Connection to electricity Connection to drainage Positioning the machine A. Adjusting machines with six feet (freestanding dishwasher) B. Adjusting machines with three or four feet C. Adjusting machines with adjustable foot Adjusting the plinth (Only if you have a kick-plate as an accessory) Screw the dishwasher into place			

Before doing your first wash

Read through the directions for use

Read through the directions for use before starting to use your machine, especially the Safety, Child Safety and Basic Course sections.

Take care with certain materials

Read the section 'Fragile Dishes' before washing china with unglazed decoration or other household goods made of plastic, wood or crystal requiring careful treatment.

Check the door

Check that the door of the dishwasher fits properly: open the door a little and let it go. Does it stay exactly where you released it? If not, you should check the installation instructions or consult the installer.

Check the water hardness level

Phone your local Water Board to check the water hardness in your area. This is important when dispensing dishwasher detergent and rinse aid.

If you have a machine with a water softener

Once you know the water hardness, you can set the water softener, see Settings. Before you start dishwashing, you must also fill with salt, see Salt.

Safety



General

Winter storage/Transport

- Read and keep the directions for use!
- Installation of water, drainage and electricity must be carried out by a qualified professional.
- Do not use the dishwasher for any purposes other than those stated in these directions for use.
- Do not load the dishwasher door or the dishwasher baskets with anything other than dishes.
- Only use **dishwasher** detergent!
- Place knives and other sharp objects so that they cannot cause injury to people or damage the dishwasher.

Never put dishes containing solvent residue in the machine due to risk of explosion. Neither may dishes containing ashes, wax or lubricating grease be washed in the dishwasher.

Winter storage/Transport

Store the machine away from frost.

Avoid long journeys in extreme cold. Transport the machine in an upright position or lying on its back.

Overfill protection

The overfill protector starts pumping out water and closes off the water intake if the machine's water level exceeds the normal level. If the overfill protector starts up, shut off the water supply and phone for service. See 'Troubleshooting' on pages 26-28.

Cleaning

Only use a slightly damp cloth for cleaning around the edge of the door. Do not use a spray bottle! Water can penetrate into the lock and come into contact with the electrical components.

Packaging materials

Sort at source in accordance with the recommendations of your local authority.

Scrapping

When the time comes for the machine to be scrapped, it should immediately be rendered unusable. Remove the plug and cut off the lead as short as possible.

Contact your refuse collection department or your local authority for information on the correct way to dispose of the machine! The machine is manufactured and labelled for recycling.

Child Safety!

Child-safe button lock

To prevent children starting the machine, you can activate a button lock.

Proceed as follows:

1. Switch off the dishwasher with the main switch.
2. Press and hold the Temperature button, and at the same time switch on the main switch.
3. Press the Drying button until "Child lock" appears in the display.
4. Select: **On** with the Temperatur button.
5. Continue with the Drying button until you get back to the main menu or press the Start/stop button.
6. A key symbol appears in the display if you have activated the child lock.

To deactivate the button lock temporarily when you want to start the machine, press the Temperature and Drying buttons simultaneously. The button lock will then automatically switch on again after 3 minutes.

To deactivate the button lock altogether, use the same procedure as for activation, but select **Off** instead.

Advice!

You can read more about this in the Settings chapter.

Child-safe dishwashing

- Use the knife basket, or knife holder, for all long/sharp items.
- Always close the door and start the program immediately once dishwasher detergent has been added.
- Keep children away from the dishwasher when it is open. There might be remains of dishwasher detergent present!
- Do not allow children to use or play with the dishwasher. Always take particular care when the door is open.

Protect your children! - Dishwasher detergent is corrosive!

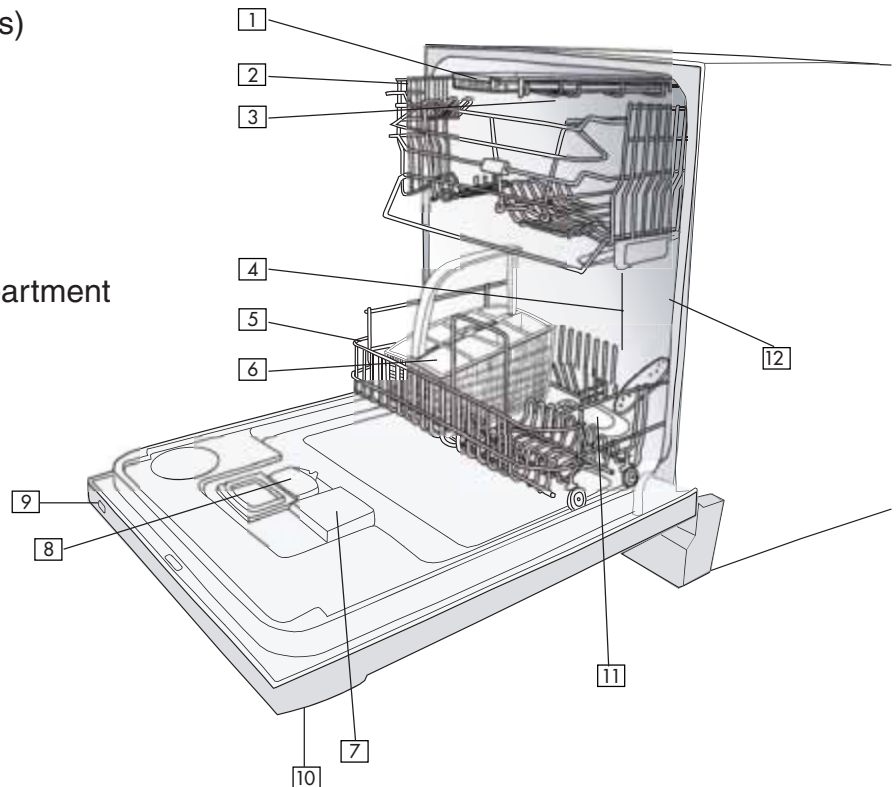


Store dishwasher detergent and rinse aid out of the reach of children! Should dishwasher detergent be swallowed, immediately drink one or two glasses of milk or water. Do not attempt to induce vomiting. Contact a doctor! Should dishwasher detergent come into contact with the eyes, rinse (for at least 15 minutes) with copious amounts of water.

Parts of the dishwasher*

1. Knife basket (*Not all models)
2. Upper basket
3. Lamp
4. Spray arms
5. Lower basket
6. Cutlery basket
7. Rinse Aid Filling
8. Dishwasher detergent compartment
9. Main switch
10. Program panel
11. Filter
12. Type plate

* Details may differ depending on model and market!



Technical information

Height	820-870 mm
Width	596 mm
Depth	550 mm****
Weight	48 kg/51 kg with water softener*
Capacity**	12 place settings
Water pressure	0.03-1.0 MPa (0.3–10 kp/cm ²)
Connection	1-phase, 230 V, 50Hz 10/10A***
Max output	1 900 W***
Accessories	Work surface, Side panels, Anti-tilt

* Details may differ depending on model and market!

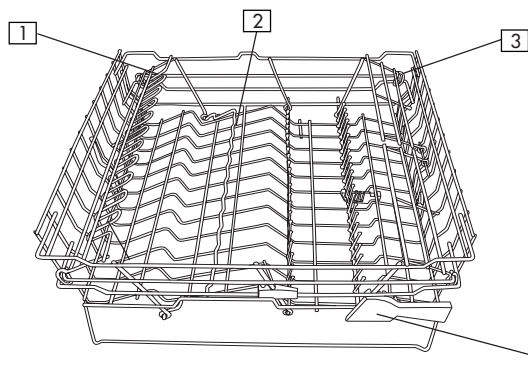
**In accordance with standard, EN 50242.

***See type plate.

****Without fitted wooden door.

Baskets*

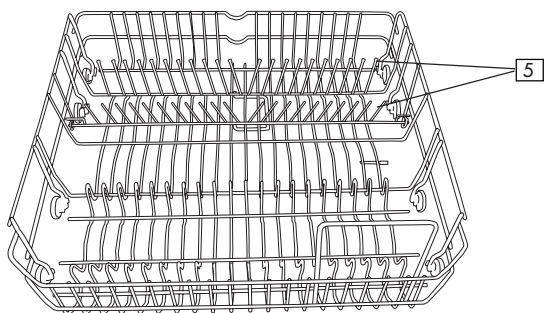
Upper basket



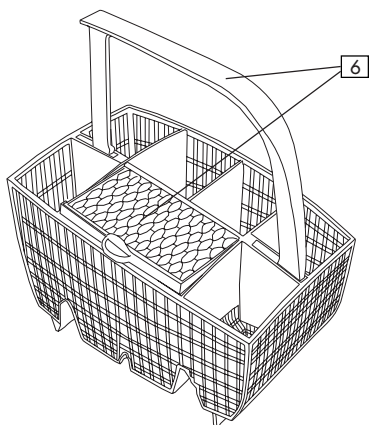
1. Wine glass shelf
2. Folding glass support
3. Divided cup shelves
4. Knife stop (* Not all models)
5. Folding plate stand
6. Cutlery basket with door and folding handle

*Details may differ depending on the model and market!

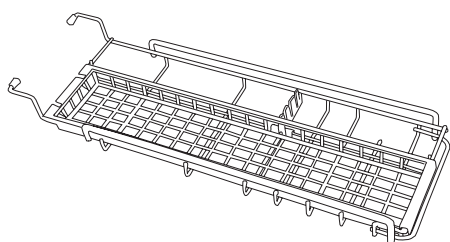
Lower basket



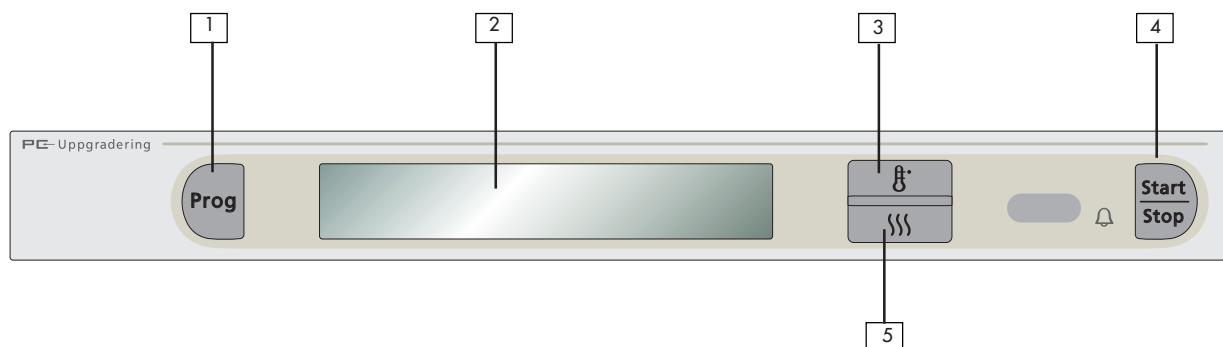
Cutlery basket



Knife basket (*Not all models)



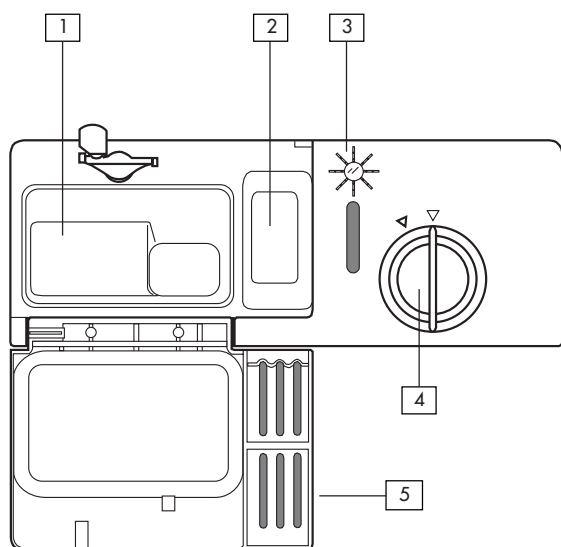
Control panel



1. Program selector
2. Display window
3. Temperature button

4. Start/stop
5. Drying button

Dispenser



1. Compartment for main wash dish-washer detergent
2. Compartment for pre-wash detergent
3. Inspection window for rinse aid (not all models)
4. Rinse aid cover
5. Detergent compartment cover

Basic Course

Below are step by step instructions to help you achieve the best possible dishwashing results.

1 Load the baskets correctly!

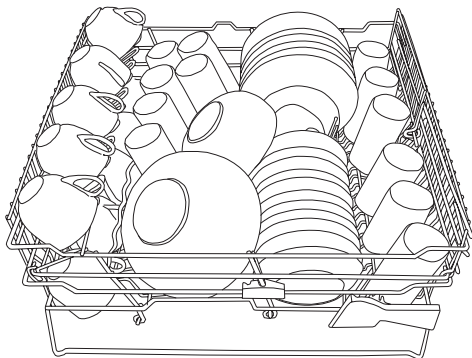
Your dishwasher is equipped with Super Cleaning System™. It is therefore not necessary to rinse the dishes before washing.

Simply remove large food particles and debris. Convenient and environmentally friendly!

Place glasses, cups, bowls, side plates and dishes in the upper basket, wine glasses should be placed on the shelf with the wavy edge, and knives in the knife stand if present.

NB!

Ensure that all soiled surfaces face inwards or downwards!



Place dinner plates, side plates, serving dishes, saucepans and cutlery (in the cutlery basket) in the lower basket. The removable plate insert, which comes with certain models, can be easily removed to provide room for large plates, saucepans and pots, or placed in three alternative positions.

Stand the cutlery with handles downward and as spread out as possible. Ensure that spoons are not resting inside each other.

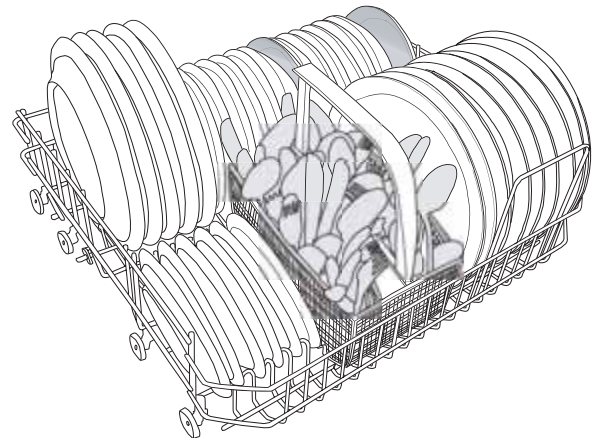
Do not put cutlery made of different materials, e.g. silver and stainless steel, in the same compartment (risk of stains).

The cutlery basket has a folding flap in the middle for small items or narrow shafts, such as electric whisks.

Place long cutlery and carving knives in the special knife box (if available) or in the upper basket.

Check that the spray arms are able to move freely.

See the section entitled Fragile Items if you want to wash objects that may be fragile.



2 Dispensing dishwasher detergent

Detergent should be dispensed in accordance with the water's hardness level.

Follow the dosage instructions on the detergent package. If your machine is fitted with a water softener, dispense as for soft water.

Pour the dishwasher detergent into the dishwasher detergent compartment. There is one compartment for pre-wash and one for main wash, see Dispenser. Phone the dishwasher detergent manufacturer if you have any questions regarding the detergent.

CAUTION!

Protect your children!

- Dishwasher detergent is corrosive!





NB!

Only use dishwasher detergent

Detergent for washing by hand cannot be used as the build-up of foam impedes the machine's performance.

3 Press the main switch

and select programme

Select a programme by pressing the programme selector one or more times until the required programme is displayed.

Auto wash

The dishwasher detects how soiled the dishes are and adjusts water consumption and temperature accordingly.

Heavy wash

The Heavy Wash programme should be used for heavily soiled dishes, e.g. saucepans, pots and gratin dishes. If there is still space in the machine after loading such items, you can add plates etc.

Normal wash

Used for washing normally soiled dishes such as plates, serving dishes, cups and glasses, etc.

For washing normally soiled mixed loads use the **Normal wash program** with **65°C** and **normal drying**.

To save more water and energy use 55°C and economy drying.

Mixed wash

This dishwashing programme is used for lightly soiled dishes in the upper basket and heavily soiled dishes in the lower basket.

Upper basket wash

If you only have cups and glasses in the upper basket which require washing, you can use this programme.

Lower basket wash

When you only want to wash plates and cutlery in the lower basket you can use the lower basket wash.

Delicate wash

If the dishes are not heavily soiled, you can select Light wash. This program is intended for glass and china which has just been used and therefore does not need such a powerful program.

Fragile dishes

can be washed using the Light wash program. Deselect the heat dry if you want to be particularly careful. See also the chapter on Fragile dishes.

Quick wash

Select Quick Wash if the dishes are very lightly soiled. This program is used for very lightly soiled glass and china, e.g. coffee cups.

Rinse & Hold

For rinsing the dishes while waiting for the machine to be filled.

Rinse & Dry

The Rinse & Dry program comprises one rinse with heat and drying. It is a suitable program if you are planning to make jam and want to rinse and warm previously washed glass jars.

If you wish to use additional options, continue to point 4. Otherwise you can now start the machine, see point 5.

Options

4 Select options

To select an option, press one of the option buttons

}}}} Drying

You can select different drying time lengths depending on how dry you want your dishes to be when the machine has finished. The temperature can be selected in all programmes except Auto wash, Rinse & Hold and Rinse & Dry programmes.

By pressing the drying button you can select

'Short drying', 'Economy drying' } (the drying symbol is shown in the form of **a** wavy line) or

'Normal drying' }}}} (the drying symbol is shown in the form of **three** wavy lines) .

⌘ Temperature

The temperature can be changed in all programmes except the Auto wash, Rinse & Hold and Rinse & Dry programmes.

By pressing one or more times on the Temperature button, you can advance to the desired temperature, from **cold** (incoming water temp.), **30°, 40°, 50°, 55°, 60°, 65°, 70°, 75°C**. In the Delicate wash and Quick wash programmes you can only select temperatures up to 60°C.

Eco-dishwashing

Only perform washes with a full machine

Waiting to run the wash until the machine is full saves energy.

Wash at a lower temperature

If the load is only lightly soiled, you can lower the temperature.

Select program with Economy drying

To save more energy - use Economy drying. You will get a better drying result if you leave the door slightly open after the end of the program.

Do not rinse before dishwashing

Thanks to the dishwasher's Super Cleaning System™ you do not need to rinse the dishes under running water before loading them into the machine.

Choose environmentally-friendly dishwasher detergent

Read environmental declarations on the package!

Connect to cold water supply

If the machine is connected to the cold water, the operating time will be longer, as it takes longer to heat up the water. However, the extended washing time means that it is possible to operate a program with a lower washing temperature and still achieve the same results.

Specialsettings

Language, Child lock, Buzzer volume, Water hardness, Temperature unit, Machine information, Reset machine to the original settings

You will probably only need to adjust these settings when the machine is new.

To get to the Specialsettings

1. Turn the machine off with the main power button.
2. Press and hold the Temperature button and at the same time turn the machine on with the main power button .
3. Release Temperatur button and you will now be in special settings.
4. Press the Drying button until the desired setting appears in the display.

Language

Using the Temperature button, select the language you wish to use. Continue using the Drying button and adjust other settings if required, or press Start/stop if you want to start the machine.

Child lock

Select 'On' with the Temperature button to activate the child lock. Continue with the Drying button to make further adjustments or press Start/Stop.

To temporarily deactivate the child lock when starting the machine, press the Drying and the Temperature buttons simultaneously.

The child lock comes back on automatically after three minutes.

Buzzer volume

If you wish, the machine will emit a buzzer signal to let you know when it is finished.

Adjust the volume with the Temperature button. Select from 1, 2, 3, 4, 5, 6, 7, 8, 9 and 0 = Off. Continue with the Drying button to make further adjustments or press Start/ Stop.

Water hardness (machine with water softener)

Phone your local water board to check the water hardness in your area. The machine is set for low water hardness on delivery. Set the desired hardness with the Temperatur button. Select from 1, 2, 3, 4, 5, 6, 7, 8, 9 and 0 = without water softener as well as machines

No.	°dH	°fH
0	0-5	0-9
1	6-8	9-14
2	9-11	15-20
3	12-14	21-25
4	15-19	26-34
5	20-24	35-43
6	25-29	44-52
7	30-39	53-70
8	40-49	71-88
9	50+	89+

with water softener and low hardness. Continue with the Drying button to make further adjustments or press Start/Stop.

Temperature unit

Using the Temperature button, choose if the temperature is to be displayed in °C or °F. Continue with the Drying button to make further adjustments or press Start/Stop.

Machine information

By pressing the Temperature button, you can see how much water the machine used the last time it was operated. You can also see how many times it has been used since it was new.

To exit Special settings

Press the Drying button or Start/Stop.

Resetting the machine

Switch off machine at the main switch. Hold in the Programme button while pressing the main switch The machine will reset itself to the original settings (with the exception of water hardness and language).

5 Press Start/Stop and close

the door

The dishwasher will now start. It manages the entire wash automatically. Ensure that the door is properly closed or the machine will not start.

Changing options

If you want to change program after having started the machine, press the Start/Stop button for three seconds. Then select a new program and press the Start/Stop button.

Do you want to load more dishes?

Open the door; the machine stops automatically, put in the dishes, close the door and the dishwasher will continue from where it left off.

If the machine is switched off with the main switch

(or in the event of a power cut) before the washing program has been completed, the interrupted program will continue when power comes back on.

NB!

If the power is switched off, or if the door is open for more than 2 minutes during drying, the program is interrupted.

6 After dishwashing

Once the machine has finished, it is only drawing standing current. Should you wish to disconnect the current completely, just switch off at the main switch. Turn off the water tap if the machine is not to be used for an extended period, e.g. during holidays.

Advice!

For even quicker drying, allow the door to stand slightly ajar.

Fragile dishes

A number of household goods are not suitable for machine washing. There can be many reasons for this. Certain materials cannot withstand intense heat, others can be damaged by the dishwasher detergent.

Fragile decoration

China with decoration on top of the glaze (the article has a rough feel) should not be machine washed.

Crystal/ glass

Place the articles so that they do not knock together during the wash. Use the lowest possible wash temperature and the shortest possible program. Do not heat dry! Antique and very fragile items should not be machine washed.

Glass which is machine washed at high temperatures can in time develop a grey film which cannot be removed. Wash fine glass at the lowest temperature and with a low dosage of dishwasher detergent.

Silver

Silver and stainless items should not come into contact with each other as the silver can discolour.

Cutlery with glued handles

Certain types of adhesive cannot withstand machine washing. In such cases the handles can come loose.

Wood

Wooden articles should only be machine washed if they are labelled as dishwasher proof.

Aluminium

Aluminium can be dulled by machine washing. However, good quality aluminium saucepans can be machine washed, although a reduction in lustre should be expected.



Plastic

Certain types of plastic cannot withstand the high temperature generated in machine dishwashing.

To protect plastic articles

Select a program with Economy temperature and Economy drying.

Standard program

Program			Tested program		
Press					
Program	Auto wash	Heavy wash	Normal wash	Normal wash	
Options					
How the machine works					
Temperature	40-60°C	70°C	55°C	65°C	
Pre-wash with SCS* (number)	0/1	2	--	2	
Main wash (number)	1	1	1	1	
Rinse & Dry (number)	2/3	3	2	2	
Final rinse	60°C	70°C	60°C	70°C	
Fan	Yes	Yes	Yes	Yes	
Consumption values					
1. Wash time (approx. min)**	75-150	160	--	125	
1. Energy (approx. kWh)	0,7-1,0	0,9	--	0,8	
2. Wash time (approx. min)**	90-175	190	145	140	
2. Energy (approx. kWh)	0,8-1,4	1,8	1,0	1,5	
Water consumption (litres)	9-15	18	9,9	15,5	







* SCS = Super Cleaning System™.

** Wash times may vary depending on water temperature, variations in voltage, etc.

1. Connection to hot water approx. 60°C.

2. Cold water connection approx. 15°C.

Standard program

Program					
Press					
Program	Upper basket wash	Lower basket wash	Delicate wash	Quick wash	Rinse & Dry program
Options		 	 	--	
How the machine works					
Temperature	55 °C	55 °C	50 °C	30 °C	--
Pre-wash with SCS* (number)	--	--	--	--	--
Main wash (number)	1	1	1	1	--
Rinse & Dry (number)	2	2	2	2	1
Final rinse	60 °C	70 °C	60 °C	50 °C	50 °C
Fan	Yes	Yes	Yes	--	Yes
Consumption values					
1. Wash time (approx. min)**	120	120	85	15	40
1. Energy (approx. kWh)	0.6	0.6	0.6	0.02	0.4
2. Wash time (approx. min)**	135	140	100	20	45
2. Energy (approx. kWh)	1.0	1.1	1.0	0.1	0.5
Water consumption (litres)	8.0	8.0	9.5	8.0	3.0

* SCS = Super Cleaning System™.

** Wash times may vary depending on water temperature, variations in voltage, etc.

1. Connection to hot water approx. 60°C.

2. Cold water connection approx. 15°C.

The display

When you have selected programme and option, the display shows the length of time the programme took the last time it was used. When you have started the machine, the display window shows how much of the programme time remains.

This time can vary a little from one occasion to another depending on the temperature of the inlet water, the amount of dishes, the ambient temperature, etc.

During the time the programme is operating, the time is counted down and the remaining programme time is shown in the window.

The remaining time is shown e.g. as 1:02, which means that 1 hour and 2 minutes of the programme remain.

NB!

During the first run of each programme, the remaining time display can be slightly misleading as the machine is estimating the time. If the programme takes longer than expected, it displays 1 minute until the programme is finished.

Cleaning

Cleaning

The dishwasher's inner container is made of stainless steel and is kept clean through normal use. However, if you have calciferous (hard) water, lime deposits can form in the dishwasher. In this case, run a normal wash program with two tablespoons of citric acid in the dishwasher detergent compartment.

Coarse filter

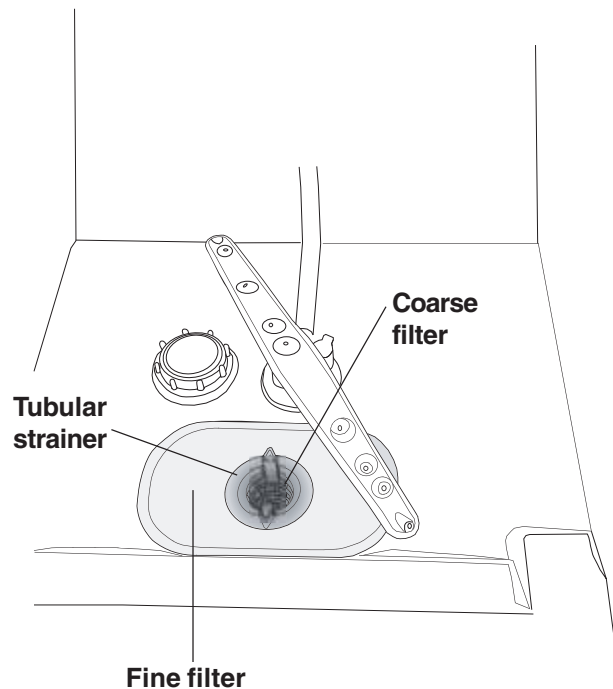
The coarse filter collects large food particles which cannot get past the outflow pump. Lift out and empty the coarse filter as necessary. Don't forget to replace it!

Fine filter

After 300 dishwashing cycles, 'Clean filter' appears in the display (applies only to certain models and markets).

1. The fine filter is removed by first turning the tubular strainer of the filter anti-clockwise and then lifting it straight up.
2. Clean with a dishwashing brush. Ensure that the edges are properly sealed when replacing the fine filter.

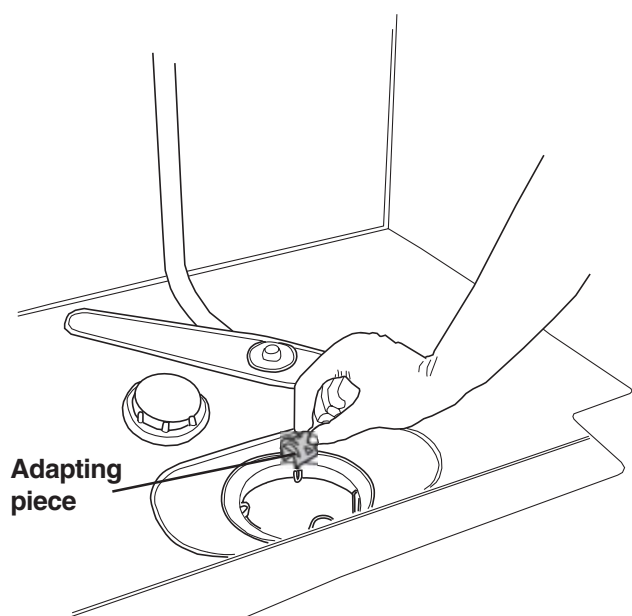
The message is cancelled by pressing on one of the buttons or the main switch.



Drainage pump

The pump can be accessed from the inside of the machine.

1. **Always** remove the plug from the wall socket before you clean the pump.
2. Remove the coarse screen first by pressing together the two lugs and pulling the screen upwards.
3. Now loosen the tubular part of the screen by turning it anticlockwise and removing the fine screen.
4. Finally remove the small adapter to the left of the bottom drain.
5. It's possible, by inserting your finger in the hole, to turn the pump impeller and remove any blockage.
6. Refit the adapter and screens.
7. Insert the plug in the wall socket.



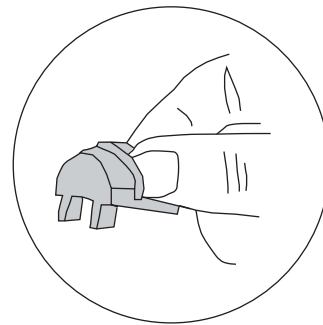
If you still cannot start the machine and a humming noise can be heard, then the overfilling protection has been activated.

- Shutoff the water
- Remove the plug from the wall socket
- Call Service

CAUTION!



Do not forget to replace the adapting piece.



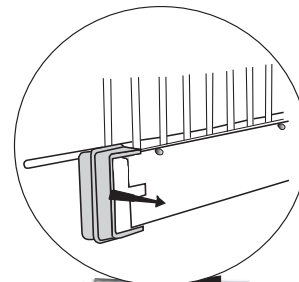
Spray arms

The holes and bearings can occasionally become clogged.

1. Pull the lower spray arm straight up to release it.
2. Scrape away the debris with a needle or similar. The spray arms also have holes on the underside.

To release the upper spray arm, the upper basket must be removed.

3. Pull out the basket and turn the basket stop outwards on both rails (see picture). The basket can now be removed.
4. Remove the upper spray arm in the same way as the lower arm and clean it.



Door

When cleaning the edge around the door, use only a slightly damp cloth, possibly with a little detergent. Do not use a spray bottle or similar around the door catch. This is to ensure that water does not penetrate into the door catch and come into contact with the electrical components.

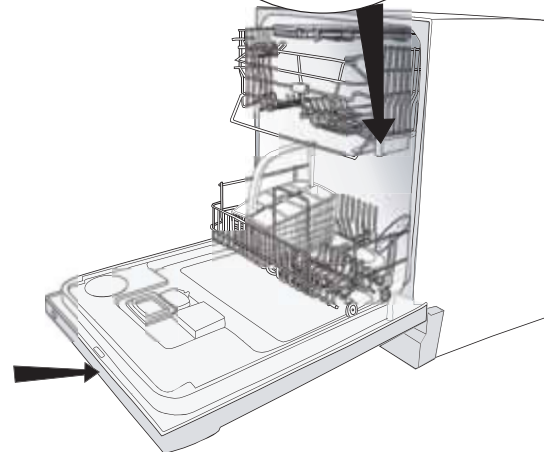
CAUTION!



Do not use a spray bottle or similar around the door catch.

Tip!

In order to prevent bad odours in the dishwasher, clean the strips and corners with a dish brush and low-lather detergent.



Rinse aid

Pour in rinse aid

Drying proceeds more quickly if you use rinse aid.

Machines with indicator on the panel

When the rinse aid has run out and more is needed, the rinse aid symbol on the panel lights up*.

To fill with rinse aid:

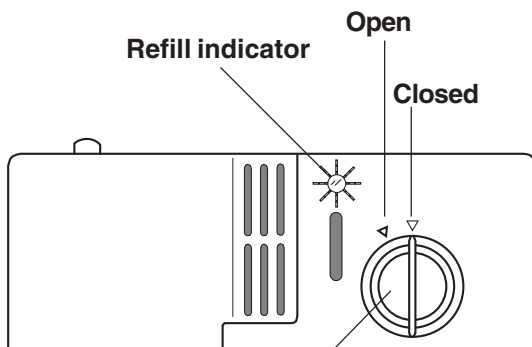
1. Turn and lift up the cover of the rinse aid compartment to the right of the dispenser. This is where you top up and set the amount of rinse aid to be dispensed in each wash.
2. Carefully pour in rinse aid up to the knob for dosage setting. Alter dosage if required. Do not forget to close the cover.

***NB!**

After filling there may be a short delay before the signal light goes out.

Machines with refill indicator

There is a refill indicator in the middle of the dispenser (see picture). If the refill indicator is totally black, there is sufficient rinse aid. However, if the indicator has a more transparent appearance, you need to top up with rinse aid (see above).



Cover for rinse aid
Open by turning and lifting the cover!

Select dosage

The dispenser is usually set at 1= soft water. However, depending on the water hardness, it may be necessary to change the dosage.

Open the rinse aid cover. Here you will find the dispenser's adjustment dial. Settings 1-6: the harder the water, the higher the dosage. When the water hardness exceeds 10-12 °dH you should use rinse aid with citric acid (acid rinse aid) if the machine does not have a water softening filter. If the machine has a water softening filter, dispense as for soft water.

Too much rinse aid can lead to the build-up of foam. If your water is particularly soft, you can dilute the rinse aid (1 part rinse aid, 1 part water).

Too much rinse aid can cause streaks on the dishes, while too little can result in water stains.

Salt

(applies to dishwashers with water softeners)

Pour in salt

Before using a dishwasher with a water softening filter, you must fill the salt compartment with salt. Use coarse salt or special salt for dishwashers.

It is best to fill with salt when you are about to do a wash, as the dishwasher needs to be rinsed out immediately after filling.

Proceed as follows the first time:

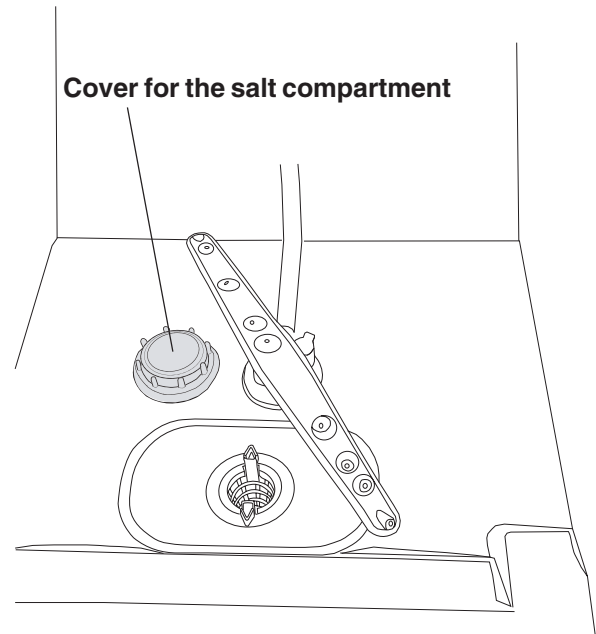
1. First unscrew the cover as illustrated.
2. Place the funnel, which is supplied with the dishwasher, into the compartment's filler hole. First pour in approximately 1 litre of water.
3. Then fill the compartment with max 1.5 kg salt.
4. Wipe away excess salt so that the cover can be properly screwed into place.
5. Run a Normal wash program so that any salt in the machine is rinsed away.

When the salt runs out, the salt symbol on the display* lights up (this function is not available on all machines). Unscrew the cover and fill the compartment with salt. Water is only needed on the first occasion! Wipe clean and screw back in place. Run a Normal wash program so that any salt is rinsed away.

The indicator is not working

If the indicator is not working, this may be because the float, which is positioned under the cover, has become stuck in salt residue. The float can be reached through the green arm located under the cover of the salt compartment. Move the float arm up and down to loosen it. Once the float has been loosened, press it down again.

Models without a salt symbol in the display show green in the salt compartment cover when there is sufficient salt.



*NB!

After filling, there may be a short delay before the signal light goes out.

CAUTION!



Never pour dishwasher detergent into the salt compartment. It will destroy the water softener!

Fault indications

Display	Type of fault	Action
Overfilling	Too much water in the machine	Phone for service
Water inlet fault	Fault in the water inlet	Check that the tap is open
Inlet valve leakage	Inlet valve leakage	Shut off the tap and phone for service
Drainage fault	Blocked drain	See 'Possible causes' in chapter Troubleshooting
Blocked filter	Clogged filter	Clean filters, see chapter Cleaning

To remove the fault indications from the display, turn off the main switch and then turn it back on again.

Troubleshooting

Problems

The dishes are not clean.

Possible causes

- The spray arms are not rotating.
- Old dishwasher detergent. NB! Detergent is a perishable.
- Incorrect dosage of detergent.
- Insufficiently powerful dishwashing program.
- Incorrect program chosen.
- Incorrect loading of the dishwasher.

Action

- Lift off the arms and clean.
- Avoid large packs.
- Dispense according to the level of water hardness.
- Select the Temperature normal option or switch to a more powerful program.
- Change to a more intensive program.
- Do not cover china with large bowls or similar.
- Avoid placing very tall glasses in the corners of baskets.

Stains or a film on the china.

- Glasses and cups have tipped over during the wash.
- Dishwasher fitted with water softener is leaking salt.
- Incorrectly set water softener.
- Incorrectly set rinse aid dispenser.
- The salt compartment is empty.
- Phosphate-free detergent in combination with hard water.
- Too high a temperature and/or too much detergent can cause etching on (crystal) glass. Unfortunately this cannot be remedied, only prevented!

- Load the china securely.
- Check that the cover of the salt compartment is properly screwed on. Otherwise phone for Service.
- See the chapter on water softeners.
- See the chapter on rinse aid.
- Top up with salt.
- Change detergent.
- Wash (crystal) glass at a low temperature and dispense dishwasher detergent with care. Contact the dishwasher detergent manufacturer.

Problems

The china has a whitish-blue sticky film.

Stains on stainless steel or silver.

Stains which remain after dishwashing.

Rattling sound during dishwashing.

The machine will not start.

To restart the machine, press Start/stop for 3 seconds. Now select a new programme and press Start/stop.

Possible causes

- Too high dosage of rinse aid.

- Certain food remnants such as mustard, mayonnaise, lemon, vinegar, salt and dressings can cause stains on stainless steel if allowed to remain for any length of time. All stainless steel can mark silver if allowed to come into contact during the dishwashing process. Aluminium can also cause stains on dishes.

- Lipstick and tea can be difficult to remove.

- The dishes are not properly loaded or the spray arms are not rotating.

- You have forgotten to switch on the main switch.

- The door is not properly closed.

- A fuse has blown.

- The plug is not plugged in.

- The water tap is off.

- Overfilling/leakage

- A droning sound (drainage

Action

- Reduce dosage. See the chapter on rinse aid. If the water is very soft, you could try diluting the rinse aid (1 part rinse aid, 1 part water).

- Rinse off food residue of this type if you do not intend to start the dishwasher immediately.
- Separate your cutlery into the various compartments in the basket. Make sure silver and stainless steel are not together.

- Change to a detergent with bleach.

- Check that the china is loaded securely. Spin the spray arms to make sure that they rotate.

- Check

- Check

- Check

- Check

- Check

1. Close the water tap.





Problems

Possible causes

Action

Water remains in the machine.

pump) can be heard from the machine, this does not stop when the power is switched off using the main power switch.

2. Pull out the plug.
3. Call a service engineer

- Obstruction in the drain hose.

- Disconnect the drain hose where it is connected to the sink's water trap. Check that no debris has become stuck. Is the cone-shaped part of the pipe cut so that the diameter is at least 16 mm?

- Kinks in the drain hose.

- Check that the hose is free from kinks or sharp bends.

- The filters are clogged.

- Clean out the coarse filter, the fine filter and the filter.

- Items in the drain pump.

- Clean out the drain pump. See chapter on cleaning

Bad odour in the machine

- Dirt along the strips and in corners

- Clean with a dish brush and low-lather detergent.

The dishes are not sufficiently dry

- Drying power too low. The machine is not fully loaded. The rinse aid has run out or the set dose is too low.

- Activate the Normal drying option (not all models). Put a full load in the machine. Replenish rinse aid or increase the dose of rinse aid. Open the door slightly once the program has finished.

Performance information

Test dosage

Strong wash/Normal wash

Main wash 25 gram Standard detergent.

Rinse aid dosage 3.

Energy labelling

Europe:

EN 50242

Dishwasher program:

Normal wash 55°C, economy drying

Program time:

145 minutes.

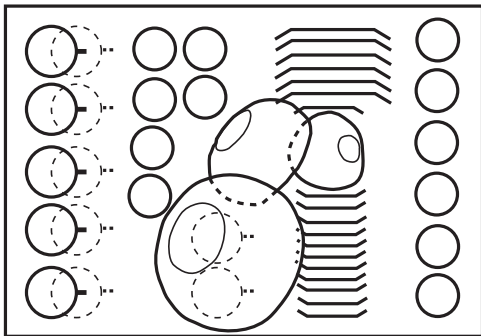
Connection:

Coldwater

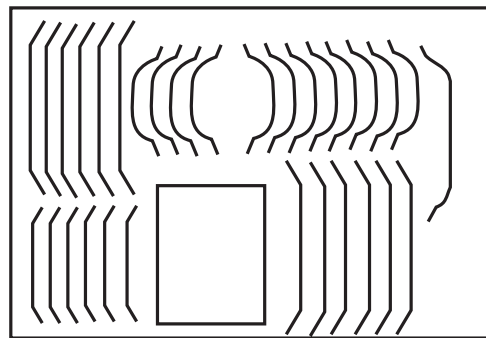
Test method noise measurement:

IEC-704-3

Example of dishwasher loading



EN 50 242



EN 50 242

Technical information

Height:

820-870 mm

Width:

596 mm

Weight:

48 kg*

51 kg with water softener*

Capacity:

12 IEC place settings

Water pressure:

0.03-1.0 MPa

0.3-10 kp/cm² (Bar)

3-100 N/cm²

Connection:

See type plate

Output:

See type plate

*The weight can vary due to varying specifications.

Installation

Suggestions on positioning the dishwasher

The dishwasher can be built in, fully free-standing or semi-free-standing.

CAUTION!



Connection to electricity, water and drainage must be carried out by a suitably qualified person.

A. Built-in

The dishwasher can be built in under a worktop with a working height of 820 - 870 mm. The width measurement must be at least 600 mm. For additional measurements, see picture.

B. Freestanding

A freestanding dishwasher must be fitted with anti-tilt. This comprises two fastening irons which are screwed into place as illustrated. The dishwasher is then pushed in so that the fastening irons grip onto the rear feet. The dishwasher cannot now tilt in the event a load is placed on the open door. If the dishwasher is to be fully freestanding, both side panels and the work top should be fitted. These accessories can be purchased where you purchased the dishwasher.

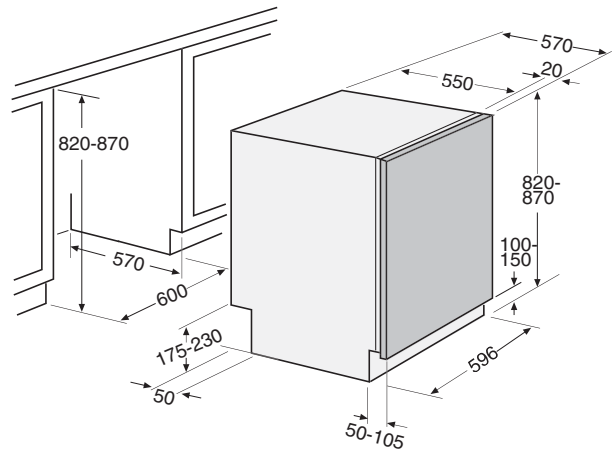
Tip!

A machine with side panels and a counter top (freestanding) can, of course, also be installed as a built-in unit.

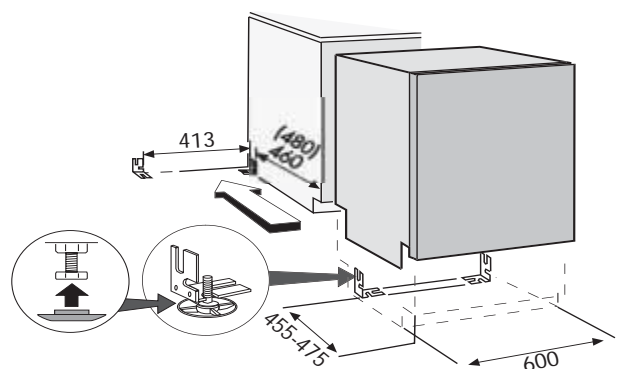
C. Semi-free-standing

If the dishwasher is positioned so that either side is visible, a side panel can be fitted. These accessories can be purchased where you purchased the dishwasher.

Built-in installation



Freestanding installation



CAUTION!



A fully freestanding dishwasher must be fitted with anti-tilt.

Connection to water

There must be a shut-off tap on the water supply pipe. The shut-off tap should be positioned above the work surface or at the front of the sink unit.

The water supply pipe has a connection with a 1/2" or 3/4" internal thread depending on country.

When the installation is complete, the shut-off tap should be opened to allow the pressure to settle for a while and to check that all connections are tight.

Connection to electricity

A dishwasher fitted with a lead and plug must be connected to an earthed socket. Repairs and maintenance relating to safety or performance must be carried out by a qualified professional.

Technical data

See the type plate on the right hand side of the door.

CAUTION!



The lead must be disconnected or the socket voltage-free while the work is carried out!

Connection to drainage

NB!



The hose must be fastened level with the underside of the sink unit.

Connection to drainage

When the drain hose is routed to a connection nipple at the sink's water trap (see illustration 1), note that the hose must be fastened level with the underside of the sink unit – otherwise the dishwater from the sink can run down into the dishwasher. The drain hose is threaded onto a cone-shaped connecting pipe at the sink unit's water trap. The cone-shaped pipe must be cut to an internal diameter of at least 16 mm. For other alternative connections, see illustrations 2 and 3.

The drain hose may be lengthened by a maximum of 3 m (the total length of the drain hose may not exceed 4.5 m). Any connections and connecting pipes must have an internal diameter of at least 16 mm. However, the drain hose should ideally be replaced with a new hose without joins.

No part of the drain hose may be more than 950 mm above the bottom of the machine. The hose must not be routed directly to the floor drain or similar. In such cases, the hose can act as a siphon and empty the dishwasher.

The hose must always discharge at least 350 mm above the bottom of the machine.

Illustration 1

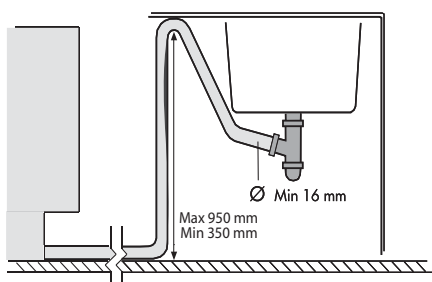


Illustration 2

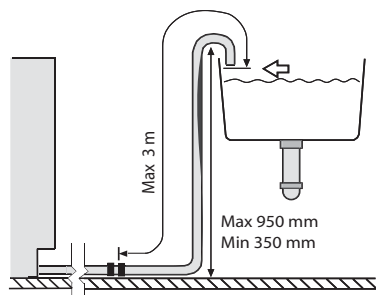
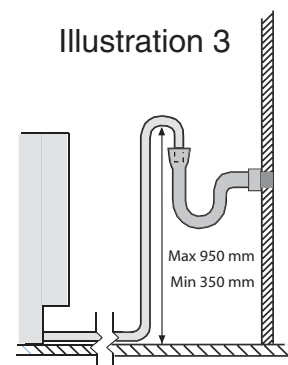


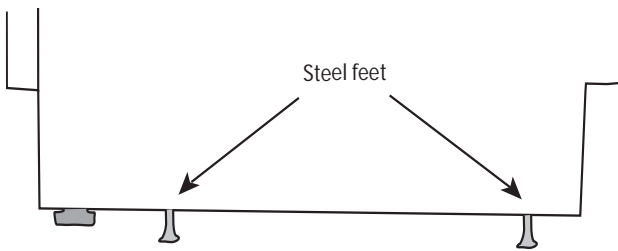
Illustration 3



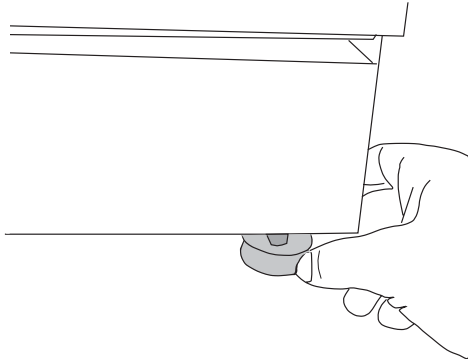
Positioning the machine

A. Adjusting machines with six feet (freestanding dishwasher)

1. Adjust the height of the dishwasher with the four steel feet.
 2. Lock the feet with the nuts.
- NB! The dishwasher must not be allowed to lean more than 5 mm.

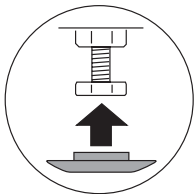


3. After the steel feet have been adjusted, screw down the two rubber feet tightly against the floor. The rubber feet now work as anti-tilt protection.



B. Adjusting machines with three or four feet

1. Start by measuring the height from the floor to the underside of the work surface.
2. Install the sliding feet on the dishwasher.

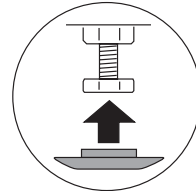


3. Measure the height from the floor to the top edge of the dishwasher.
4. Adjust all the feet by screwing them clockwise to raise or anti-clockwise to lower.

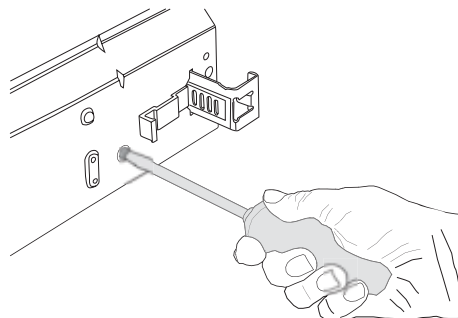
5. Check that the height of the machine corresponds to the height from the floor to the underside of the work surface. Tighten the locking nuts (locking nut) on the rear feet.
6. Push the dishwasher into place.
7. Finely adjust the front feet (the machine may lean max. 5 mm) and tighten the locking nuts.

C. Adjusting machines with adjustable foot

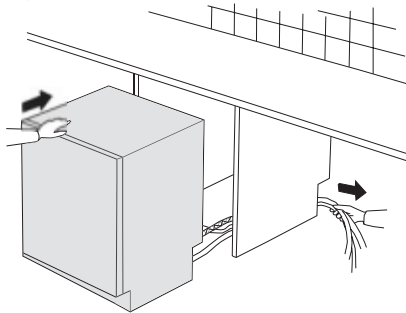
1. Start by measuring the height from the floor to the underside of the work surface.
2. Install the sliding feet on the dishwasher.



3. Measure the height from the floor to the top edge of the dishwasher.
4. Tilt the dishwasher forward a fraction and roughly adjust the rear foot by screwing the set screw at the front clockwise to raise or anti-clockwise to lower (illustrated below). Use a broad screwdriver or a hexagonal head screwdriver.
5. Adjust the front feet by turning them clockwise to raise or anti-clockwise to lower.
6. Check that the height of the machine corresponds to the height from the floor to the underside of the work surface.
7. Push the dishwasher into place.
8. Finely adjust the feet (the machine may lean max. 5 mm) and tighten the locking nuts on the front feet.



To prevent kinks, pull the drain hose and the connecting pipe.

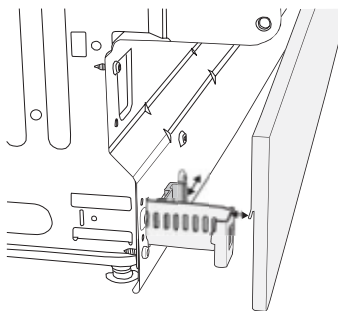


Adjusting the plinth (Only if you have kick-plate as accessory)

The dishwasher has two kick-plates (certain models). The taller one should be used if the machine is to be 850 - 870 mm high and the plinth depth can be varied between 45 - 105 mm. The lower one is to be used if the machine will be 820 - 845 mm high with a plinth depth of between 50 - 105 mm. Attach the enclosed felt insulation to the kick-plate (some models).

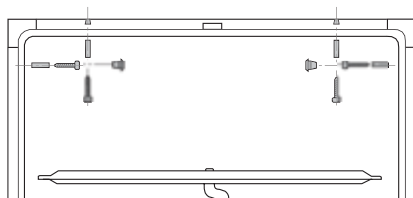
Set the correct plinth depth as follows:

1. Press the grey catches towards each other and pull out the holders as far as required. Press in the catches so that they lock the brackets in place.
2. Hang the kick-plate onto the holders by inserting it into the grooves.

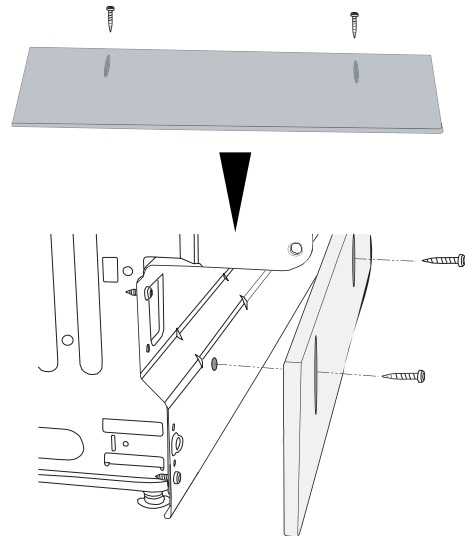


Screw the dishwasher into place

If the machine is to be screwed in at the sides, the enclosed plastic plugs are used for covering the screw holes. After fixing check that the front feet are in contact with the floor.



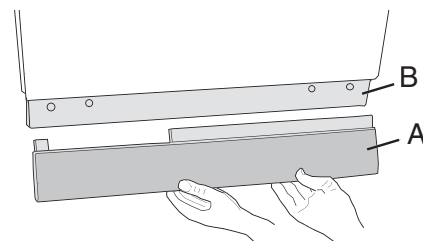
Fitting fixed kick-plate



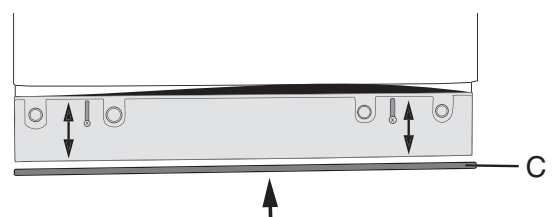
Fitting strip seal (on the floorplinth covering plate)

Proceed as follows:

1. Remove the plastic plinth by gripping with both hands under the plastic plinth(A), and breaking outwards and upwards.



2. Undo the two screws on the covering plate(B).
3. Glue the accompanying rubber strip(C) to the underside of the covering plate (against the floor).
4. Screw the covering plate back into place. Adjust the covering plate so that the rubber strip is just in contact with the floor.



5. Replace the plastic plinth

Setting water hardness

Setting water hardness (machines with water softener)

Before starting to use the dishwasher, you should set the correct water hardness. Phone your local water board to ascertain the water hardness in your area. The machine is set for low water hardness on delivery.

1. Turn the machine off with the main power button.
2. Press and hold the Temperature button and at the same time turn the machine on with the main power button
3. Release the Temperature button and you will now be in special settings.
4. Set the desired hardness with the Set button. Select from 1, 2, 3, 4, 5, 6, 7, 8, 9 and 0 = without water softener as well as machines with water softener and low hardness.

No.	°dH	°fH
0	0-5	0-9
1	6-8	9-14
2	9-11	15-20
3	12-14	21-25
4	15-19	26-34
5	20-24	35-43
6	25-29	44-52
7	30-39	53-70
8	40-49	71-88
9	50+	89+

6. Press the Start/Stop button to confirm the setting.

Service & guarantee

Service

Before calling for service, check to see whether the fault is due to something that you can put right yourself. See Trouble shooting pages 26-28.

Guarantee

For guarantee details, see the guarantee card.

Search words

A

Advice! 7, 16
After dishwashing 16

C

Child safe 7
Citric acid 21, 23
Cleaning 6, 21
Connection 19, 29, 31
Control panel 10
Crystal 3, 5, 17, 26
Cutlery basket 8, 9, 11

D

Dishwasher detergent 3, 6, 7, 11, 24
Door 5, 16
Drainage 21, 28, 31

E

Efter disken 16
Environment 3, 11, 14, 40

F

Fault indications 25
Fragile dishes 12
Fyll korgarna 11

H

Hardness 5, 23, 26
Heavy wash 12, 29

I

Installation 6, 30

K

Knife basket 7, 8

L

Loading baskets 2
Lower basket 8, 9, 11, 12

M

Main Switch 2, 16
Main switch 8, 12, 16

N

Normal Wash 21
Normal wash 24, 29

O

Output 8

P

Plastic 3, 5, 17, 33
Plinth 33

R

Recycling 6
Rinse aid 4, 5, 22, 23, 29

S

Salt 4, 5, 24
Scrapping 3
Select program 14, 17
Select programme 12
Service 6, 25, 34, 35
Service & guarantee 34, 35
Settings 3, 15
Spray Arms 2
Spray arms 11, 22
Stains 26, 27
Standard program 18, 19

T

Temperatur 13
Temperature 10, 14, 15, 19, 26
The Display 24
The display 20
The door 2, 22
the Door 30
Transport 6

U

Upper 11
Upper basket 8, 9, 11, 12, 22

V

Water 8, 16, 18, 19, 23, 25, 29, 31
Winter storage 3, 6

Art. No: 80 785 79. Rev. 03 • We reserve the right to make changes.
Printed on environmentally-friendly paper which meets the demands of Friends of the Earth and the
Swedish Society for Nature Conservation.



Free Manuals Download Website

<http://myh66.com>

<http://usermanuals.us>

<http://www.somanuals.com>

<http://www.4manuals.cc>

<http://www.manual-lib.com>

<http://www.404manual.com>

<http://www.luxmanual.com>

<http://aubethermostatmanual.com>

Golf course search by state

<http://golfingnear.com>

Email search by domain

<http://emailbydomain.com>

Auto manuals search

<http://auto.somanuals.com>

TV manuals search

<http://tv.somanuals.com>