



Undercounter Dishwasher

PRODUCT MODEL NUMBERS

MDB4949SD	MDB7949SD
MDB5969SD	MDB8969SD
MDB6949SD	

Electrical Requirements: 120-volt, 60 Hz, AC-only, 15- or 20-amp, fused electrical supply. Copper wire only. A time-delay fuse or circuit breaker and separate circuit is recommended.

If connecting dishwasher with direct wiring: Use flexible, armored or nonmetallic, sheathed copper wire with grounding wire that meets the wiring requirements for your home and local codes and ordinances.



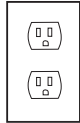
Use a UL Listed/CSA Approved strain relief.

If connecting dishwasher with a power supply cord:

Use UL Listed power supply cord kit (Part Number 4317824) marked for use with dishwashers.



Power supply cord must plug into a grounded 3-prong outlet, located in the cabinet next to the dishwasher opening. Outlet must meet all local codes and ordinances.



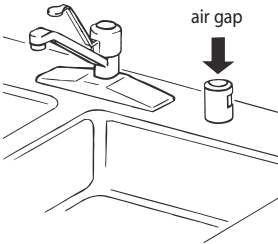
Water Supply Requirements: A hot water line with 20 to 120 psi (138 to 862 kPa) water pressure. Water temperature must be 120°F (49°C) water at dishwasher. Use 3/8" O.D. copper tubing with compression fitting or flexible braided water supply line (Part Number W10278635RP). Use a 90° elbow with 3/4" hose connection with rubber washer (Part Number W10574777). Do not solder within 6" (15.2 cm) from water inlet valve. 1/2" minimum plastic tubing is not recommended.

Drain Requirements: A new drain hose is supplied with your dishwasher. If this is not long enough, use a new drain hose with a maximum length of 12' (3.7 m) (Part No. 3385556) that meets all current AHAM/IAPMO test standards, is resistant to heat and detergent, and fits the 1" (2.5 cm) drain connector of the dishwasher.

Make sure to connect the drain hose to waste tee or disposer inlet above drain trap in house plumbing and 20" (50.8 cm) minimum above the floor. It is recommended

that the drain hose either be looped up and securely fastened to the underside of the counter, or be connected to an air gap.

Make sure to use an air gap if the drain hose is connected to house plumbing lower than 20" (50.8 cm) above subfloor or

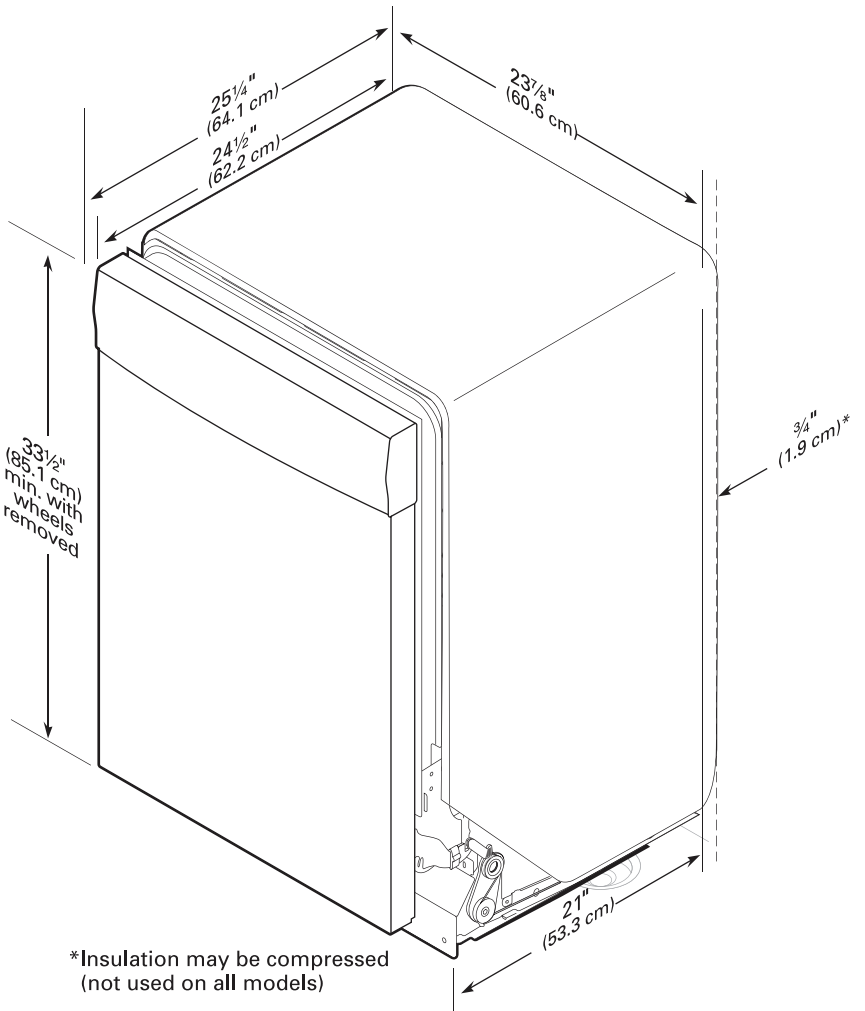


floor.

Use 1/2" (1.3 cm) minimum I.D. drain line fittings.

If required, the air gap should be installed in accordance with the air gap installation instructions. When connecting the air gap, a rubber hose (not provided) will be needed to connect to the waste tee or disposer inlet.

PRODUCT DIMENSIONS



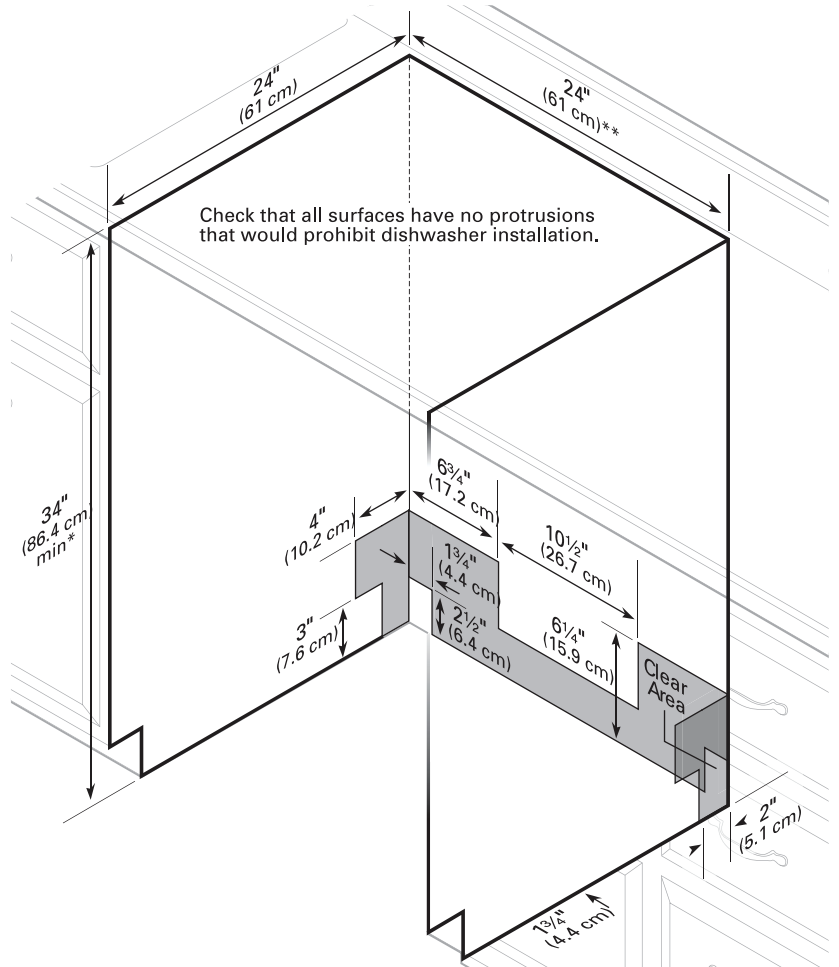
*Insulation may be compressed (not used on all models)

CABINET CUTOUT DIMENSIONS

NOTE: Shaded areas of cabinet walls show where utility connections may be installed.

*Measured from the lowest point on the underside of the countertop. May be reduced to 33½" (85.1 cm) by removing the wheels from dishwasher.

**Minimum, measured from narrowest point of opening.



Free Manuals Download Website

<http://myh66.com>

<http://usermanuals.us>

<http://www.somanuals.com>

<http://www.4manuals.cc>

<http://www.manual-lib.com>

<http://www.404manual.com>

<http://www.luxmanual.com>

<http://aubethermostatmanual.com>

Golf course search by state

<http://golfingnear.com>

Email search by domain

<http://emailbydomain.com>

Auto manuals search

<http://auto.somanuals.com>

TV manuals search

<http://tv.somanuals.com>