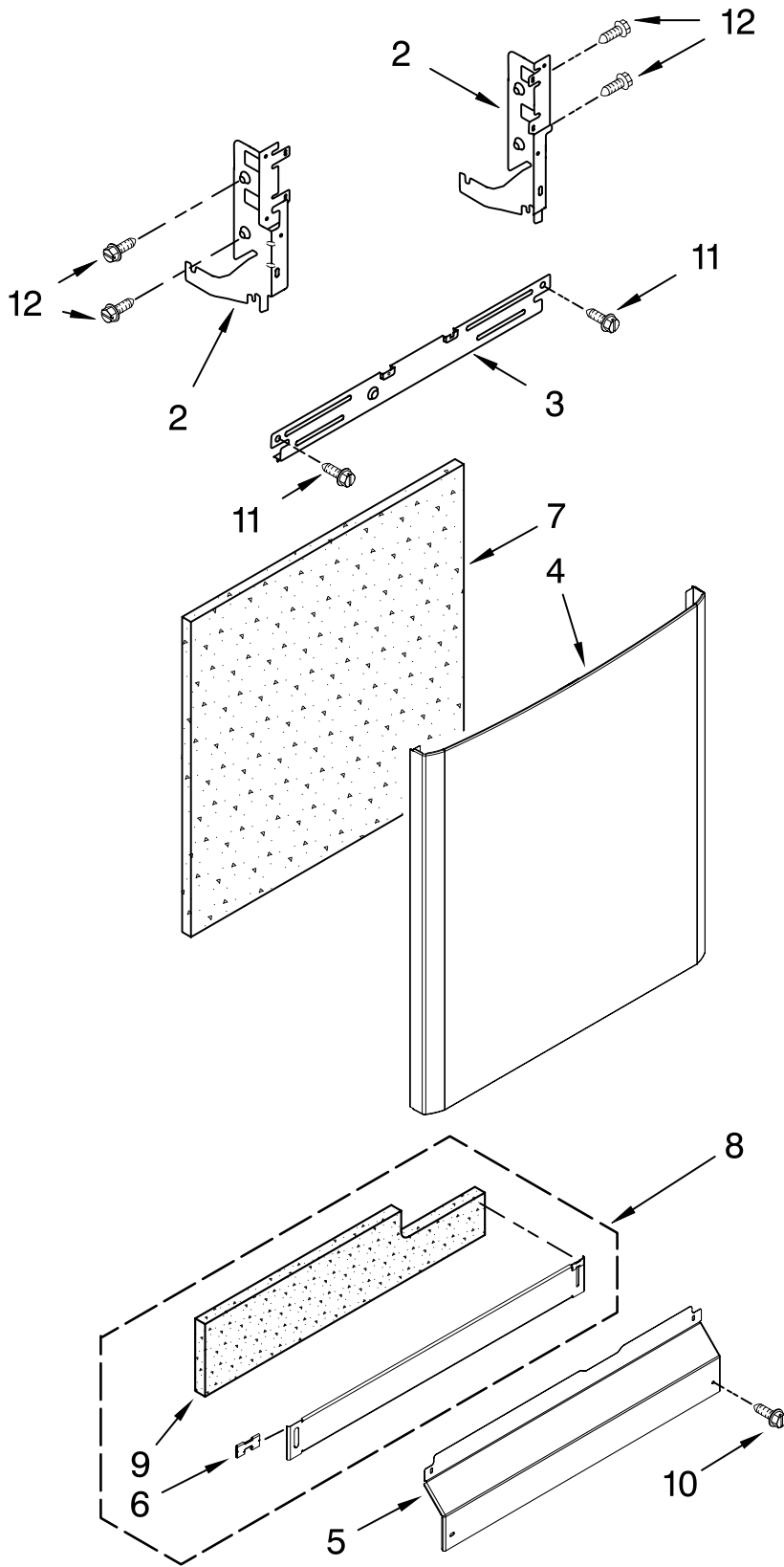
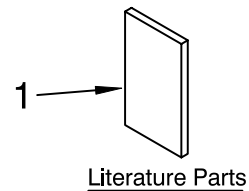


For Models: MDB7809AWB2, MDB7809AWW2, MDB7809AWQ2, MDB7809AWM2
(Black) (White) (Biscuit) (Stainless Steel)



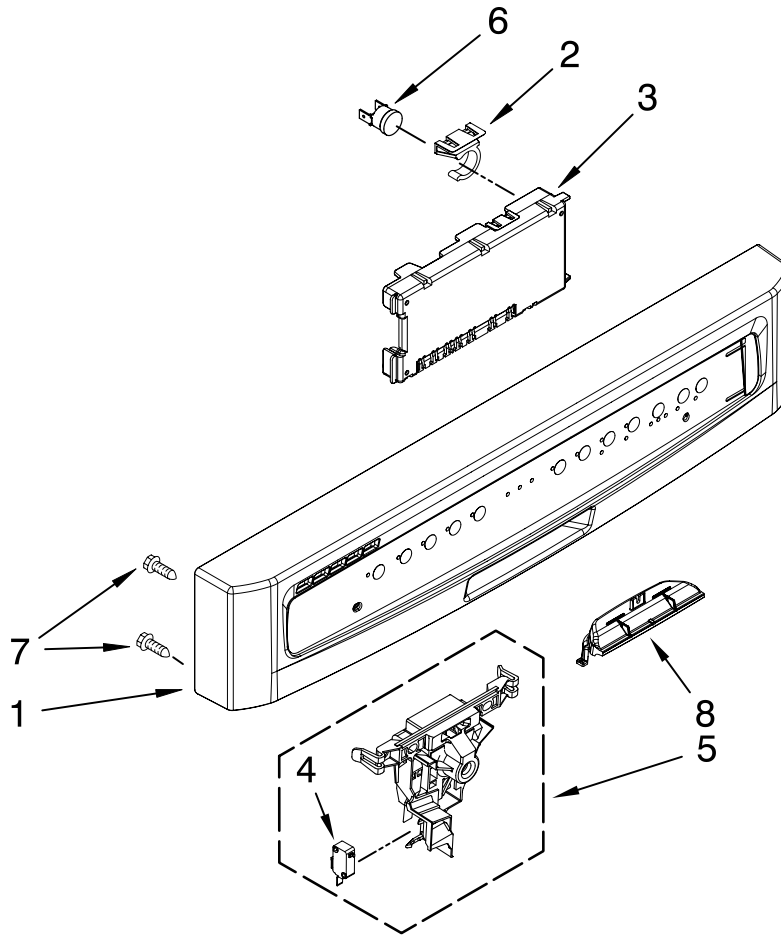
Illus. No.	Part No.	DESCRIPTION
1		Literature Parts
	W10199707	Instructions, Installation
	W10255026	Energy Guide
	W10255114	Guide, Use & Care English/French
	W10142800	Tech Sheet
2		Arm, Hinge
	8534854	Left
	8534853	Right
3	8268983	Stiffener, Door
4		Panel Front
	W10199758	Black
	W10199759	White
	W10199760	Biscuit
	W10199761	Stainless
5		Access Panel
	8573255	Black
	8573256	White
	8573257	Biscuit
6	8269016	Clip, Grounding
7	W10073520	Insulation, Door
8		Toe Panel (Includes Item 9)
	W10205336	Black
	W10205337	White
	W10205338	Biscuit
9	W10073540	Insulation, Toe Panel
10		Screw
	302868	Black
	3400836	White
11	304392	Screw
12	3400071	Screw



FOR ORDERING INFORMATION REFER TO PARTS PRICE LIST

CONTROL PANEL PARTS

For Models: MDB7809AWB2, MDB7809AWW2, MDB7809AWQ2, MDB7809AWM2
 (Black) (White) (Biscuit) (Stainless Steel)

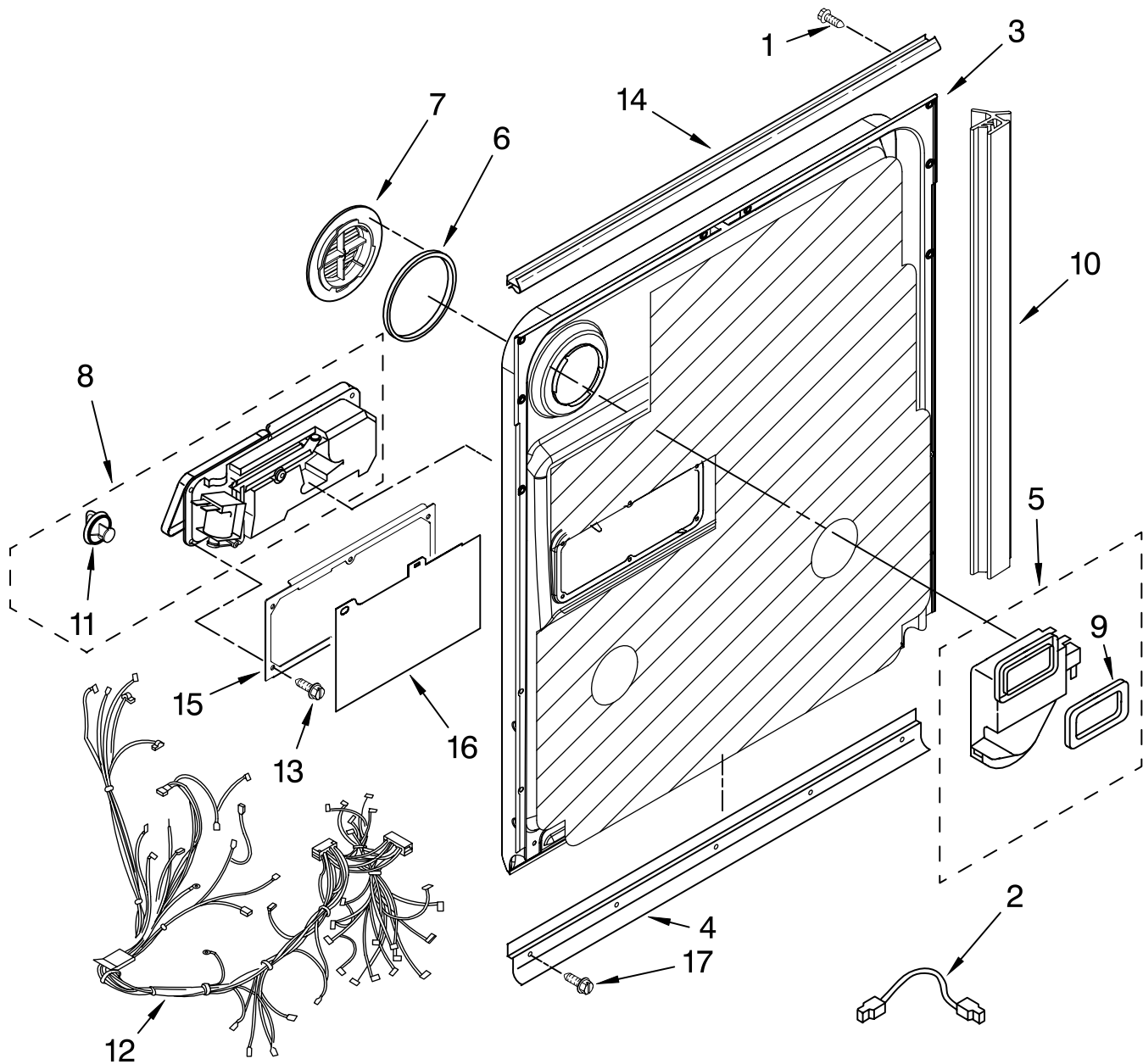


Illus. No.	Part No.	DESCRIPTION
1		Console Asm. (Includes Active Overlay & Insert)
	W10199754	Black
	W10199755	White
	W10199756	Biscuit
2	8546546	Clip, BI-Metal
3	W10255103	Control Electronic
4	8269209	Switch, Door
5	W10077360	Latch Assembly
6	661663	Bi-Metal
7	3369051	Screw
8		Handle, Latch
	W10205889	Black
	W10205890	White
	W10205891	Biscuit

FOR ORDERING INFORMATION REFER TO PARTS PRICE LIST

DOOR AND LATCH PARTS

For Models: MDB7809AWB2, MDB7809AWW2, MDB7809AWQ2, MDB7809AWM2
 (Black) (White) (Biscuit) (Stainless Steel)



Illus. No.	Part No.	DESCRIPTION
1	3369051	Screw, Door
2	8545608	Harness, Vent Motor
3	W10056249	Inner Door Mastic Assembly
4	8268937	Inlet, Air
5	W10164259	Vent Assembly
6	8269259	Gasket, Vent

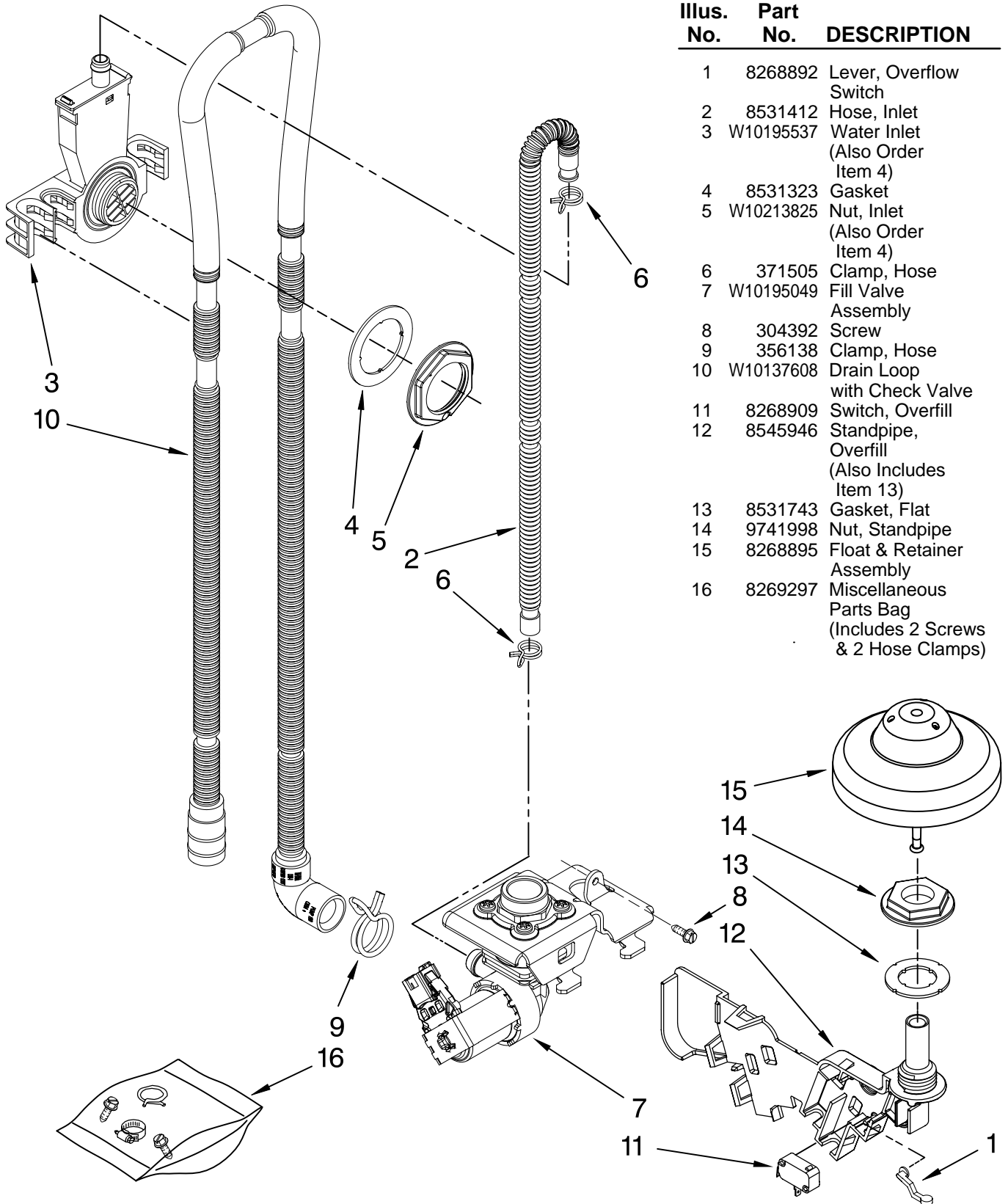
Illus. No.	Part No.	DESCRIPTION
7	8545536	Deflector, Vent (Also Order Item 6)
8	W10199696	Dispenser, Assembly
9	8269258	Seal, Front
10	8574160	Seal, Side
11	W10199683	Cap, Rinse Aid
12	W10078202	Wiring Harness Main

Illus. No.	Part No.	DESCRIPTION
13	W10177098	Screw
14	8535660	Seal, Console/door
15	8535637	Bracket, Dispenser
16	8531865	Shield, Dispenser
17	8281217	Screw

FOR ORDERING INFORMATION REFER TO PARTS PRICE LIST

FILL, DRAIN AND OVERFILL PARTS

For Models: MDB7809AWB2, MDB7809AWW2, MDB7809AWQ2, MDB7809AWM2
 (Black) (White) (Biscuit) (Stainless Steel)

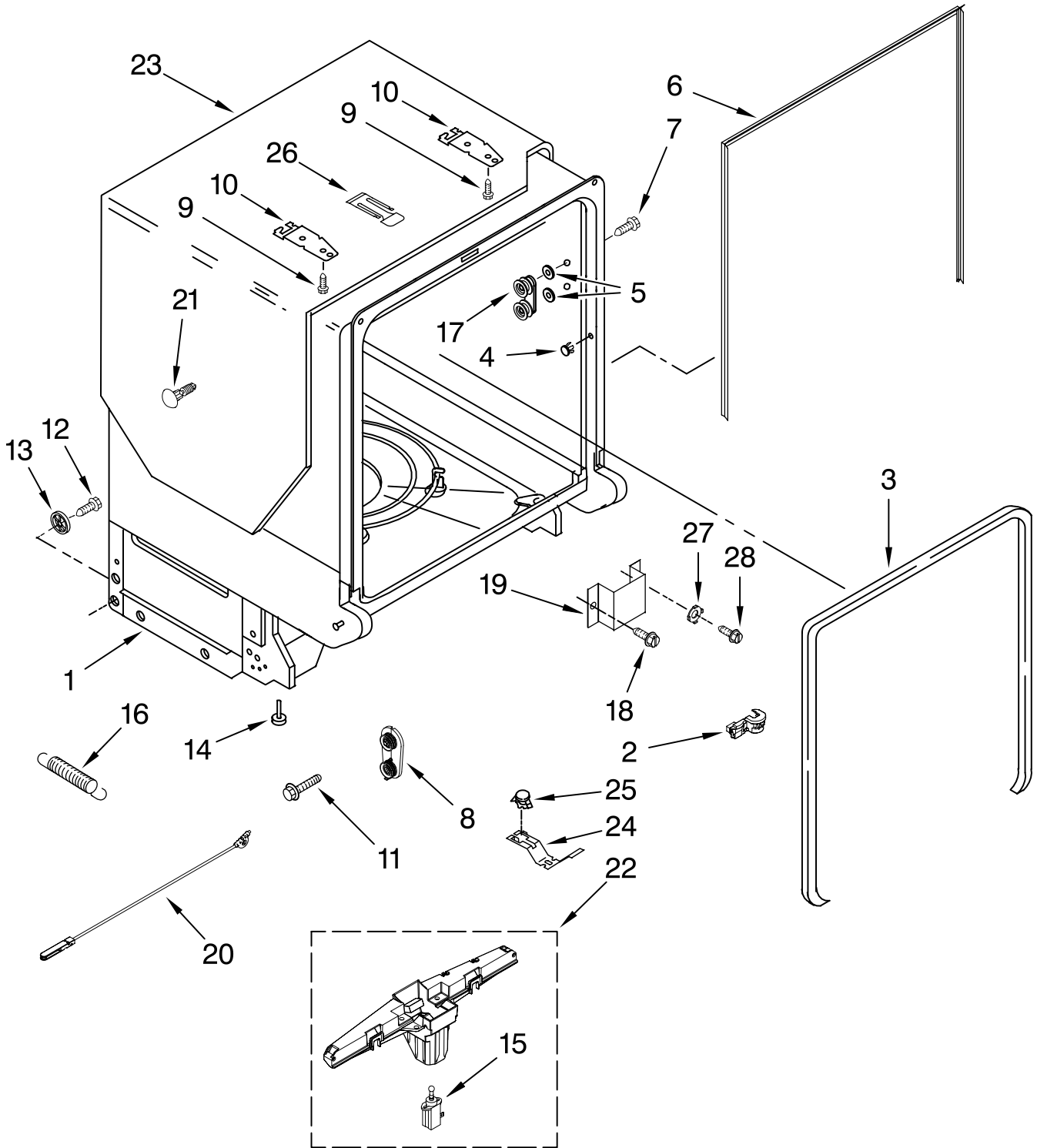


Illus. No.	Part No.	DESCRIPTION
1	8268892	Lever, Overflow Switch
2	8531412	Hose, Inlet
3	W10195537	Water Inlet (Also Order Item 4)
4	8531323	Gasket
5	W10213825	Nut, Inlet (Also Order Item 4)
6	371505	Clamp, Hose
7	W10195049	Fill Valve Assembly
8	304392	Screw
9	356138	Clamp, Hose
10	W10137608	Drain Loop with Check Valve
11	8268909	Switch, Overflow
12	8545946	Standpipe, Overflow (Also Includes Item 13)
13	8531743	Gasket, Flat
14	9741998	Nut, Standpipe
15	8268895	Float & Retainer Assembly
16	8269297	Miscellaneous Parts Bag (Includes 2 Screws & 2 Hose Clamps)

FOR ORDERING INFORMATION REFER TO PARTS PRICE LIST

TUB AND FRAME PARTS

For Models: MDB7809AWB2, MDB7809AWW2, MDB7809AWQ2, MDB7809AWM2
(Black) (White) (Biscuit) (Stainless Steel)



FOR ORDERING INFORMATION REFER TO PARTS PRICE LIST

TUB AND FRAME PARTS

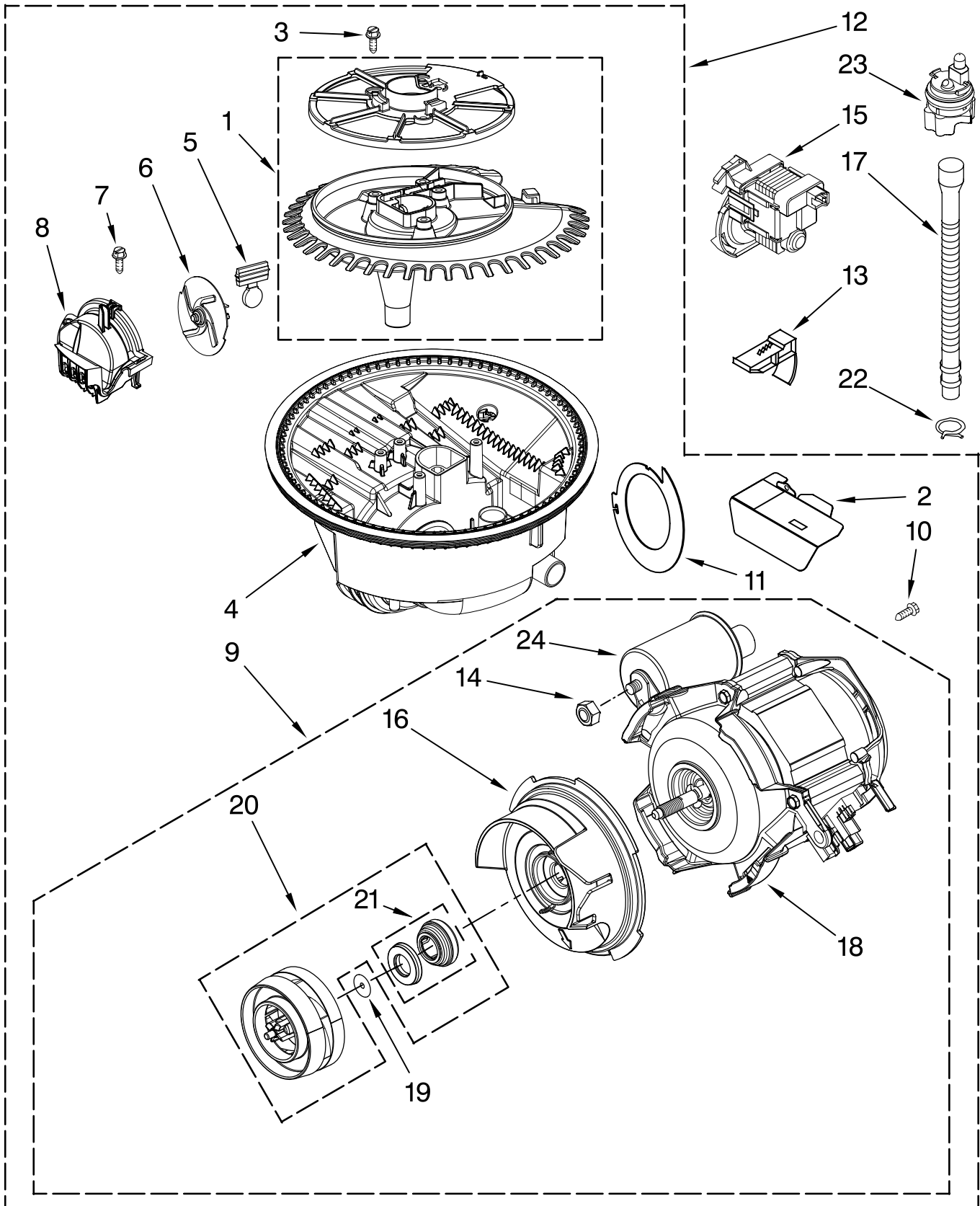
For Models: MDB7809AWB2, MDB7809AWW2, MDB7809AWQ2, MDB7809AWM2
 (Black) (White) (Biscuit) (Stainless Steel)

Illus. No.	Part No.	DESCRIPTION
1	W10213822	Tub Assembly (Includes Heater Assembly)
2	8573061	Strain Relief
3	W10112096	Door Seal
4	W10082838	Plug Tub
5	9743002	Gasket, Bracket Mounting
6	8269110	Seal, Cabinet
7	3400072	Screw
8	W10084086	Door, Balance Assembly
9	3367670	Screw
10	8269145	Bracket, Undercounter
11	3400074	Screw
12	3370389	Screw
13	8268977	Wheel Leg
14	8524584	Leveler, Leg
15	W10082769	Motor, Wax
16	8270020	Spring, Door Balance
17	8270019	Wheel & Mount Assembly (Also Order Item 6)
18	3400892	Screw
19	8268991	Cover, Terminal Box
20	W10158291	Cable, Door Balance
21	304666	Retainer, Push
22	8572661	Actuator Assy (Includes Item 15)
23	8573240	Shield, Sound Tub
24	9742648	Bracket, Thermostat
25	661566	Thermostat
26	W10077370	Strike, Latch
27	3378128	Washer, Pronged
28	3400014	Screw

FOR ORDERING INFORMATION REFER TO PARTS PRICE LIST

PUMP AND MOTOR PARTS

For Models: MDB7809AWB2, MDB7809AWW2, MDB7809AWQ2, MDB7809AWM2
(Black) (White) (Biscuit) (Stainless Steel)



FOR ORDERING INFORMATION REFER TO PARTS PRICE LIST

PUMP AND MOTOR PARTS

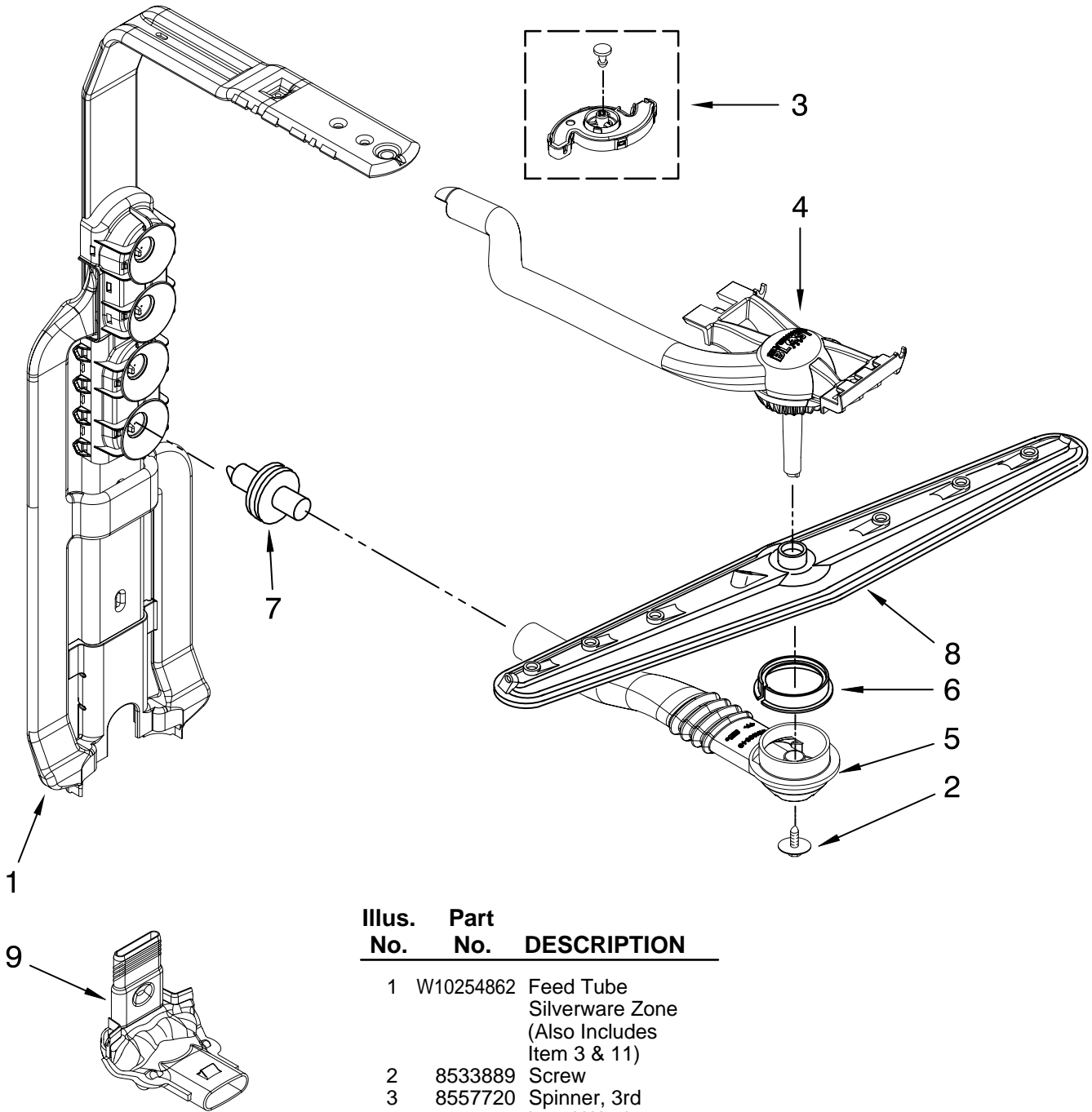
For Models: MDB7809AWB2, MDB7809AWW2, MDB7809AWQ2, MDB7809AWM2
 (Black) (White) (Biscuit) (Stainless Steel)

Illus. No.	Part No.	DESCRIPTION
1	8534952	Accumulator Assy
2	8283527	Shield, Motor
3	3400069	Screw
4	8572618	Sump with seal
5	8268375	Check Valve, Sump
6	W10083957	Chopper Assembly
7	9741232	Screw
8	8531857	Protector, Inlet
9	W10231538	Motor Assembly
10	3400217	Screw
11	W10084567	Screen, Separation
12	W10237168	Sump & Motor Assembly
13	8269524	Tab, Sump
14	8533949	Nut
15	8558995	Pump, Drain
16	W10142656	Volute, Back (Also Order Item 21)
17	8269144	Hose, Drain
18	W10226459	Motor
19	8531018	Washer
20	8531017	Impeller Kit (Also Order Item 19)
21	8268401	Face Seal Assembly (Also Order Item 19)
22	356138	Clamp, Hose
23	W10134017	Optical Water Indicator
24	W10216724	Capacitor

FOR ORDERING INFORMATION REFER TO PARTS PRICE LIST

UPPER WASH AND RINSE PARTS

For Models: MDB7809AWB2, MDB7809AWW2, MDB7809AWQ2, MDB7809AWM2
 (Black) (White) (Biscuit) (Stainless Steel)

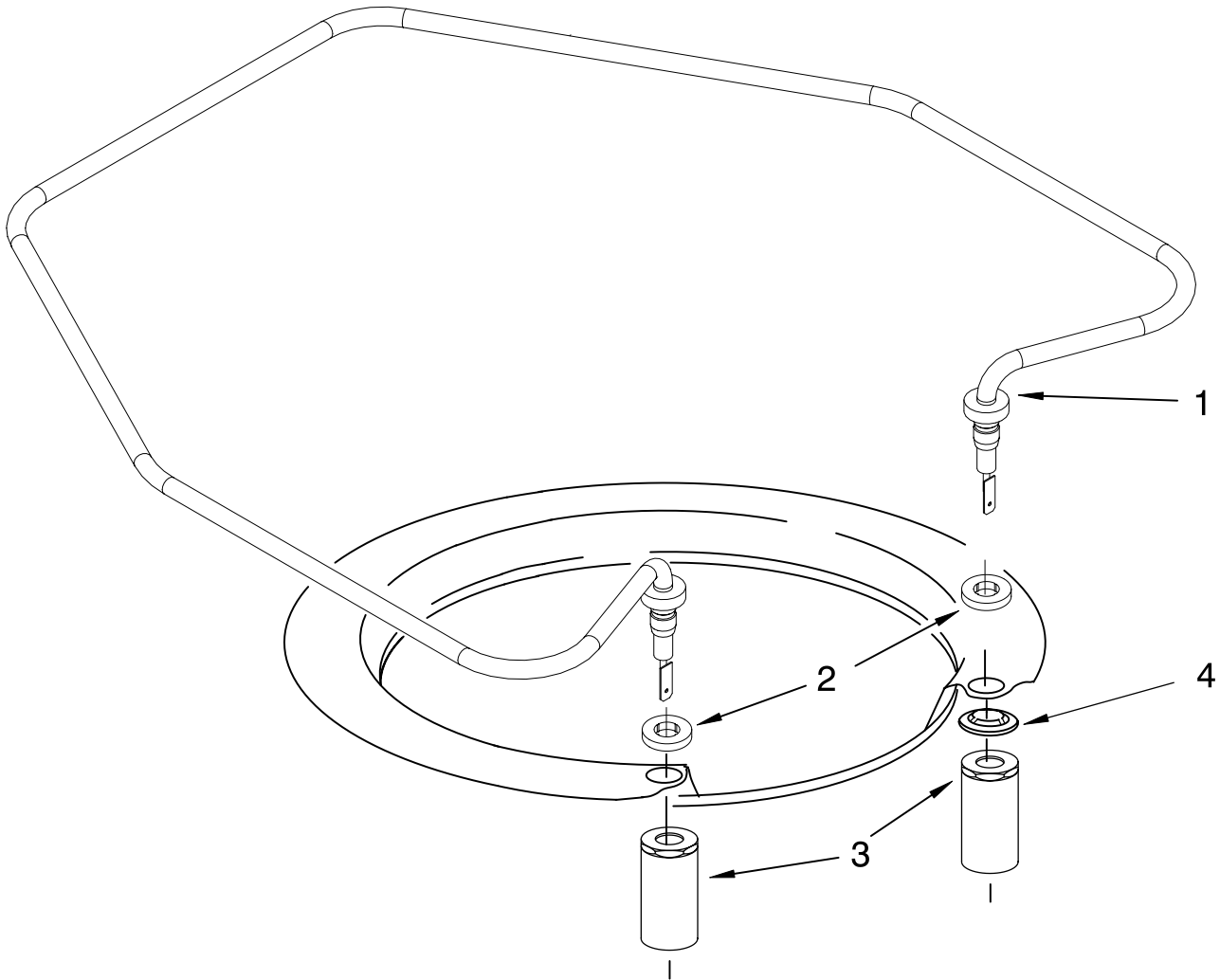


Illus. No.	Part No.	DESCRIPTION
1	W10254862	Feed Tube Silverware Zone (Also Includes Item 3 & 11)
2	8533889	Screw
3	8557720	Spinner, 3rd Level Wash
4	W10199811	Mount Assembly
5	W10199649	Manifold
6	8268433	Seal, Sprayarm
7	W10082831	Nozzle-Feed
8	W10240064	Sprayarm
9	8575244	Valve Assembly, Manifold

FOR ORDERING INFORMATION REFER TO PARTS PRICE LIST

HEATER PARTS

For Models: MDB7809AWB2, MDB7809AWW2, MDB7809AWQ2, MDB7809AWM2
(Black) (White) (Biscuit) (Stainless Steel)



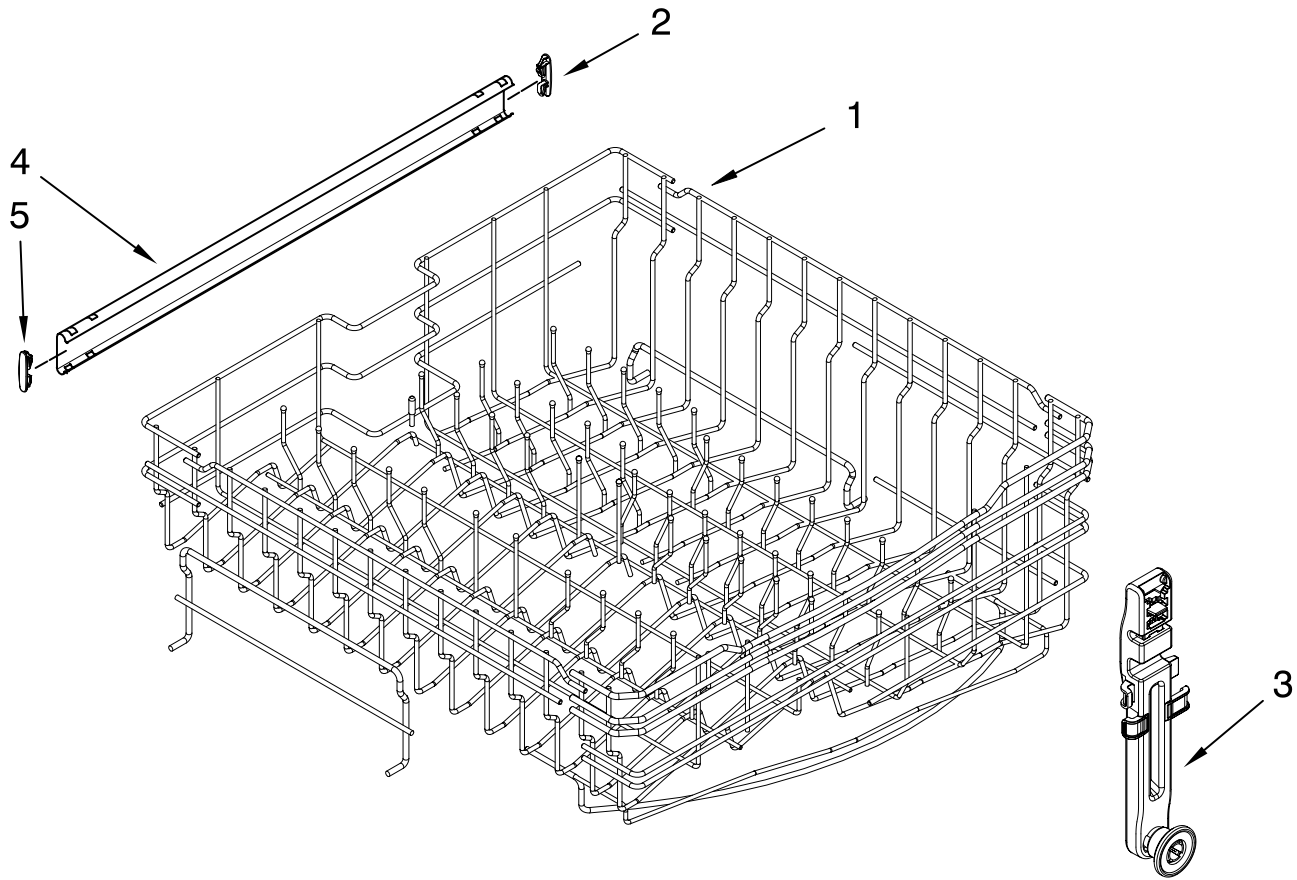
Illus. No.	Part No.	DESCRIPTION
1	W10082892	Heater Element Assembly (Also Includes Item 2)
2	717273	Washer, Heater Element
3	8268548	Nut, Heater Element
4	3400931	Speed Nut

NOTE: If heater element is removed, it must be replaced.

FOR ORDERING INFORMATION REFER TO PARTS PRICE LIST

UPPER RACK AND TRACK PARTS

For Models: MDB7809AWB2, MDB7809AWW2, MDB7809AWQ2, MDB7809AWM2
(Black) (White) (Biscuit) (Stainless Steel)

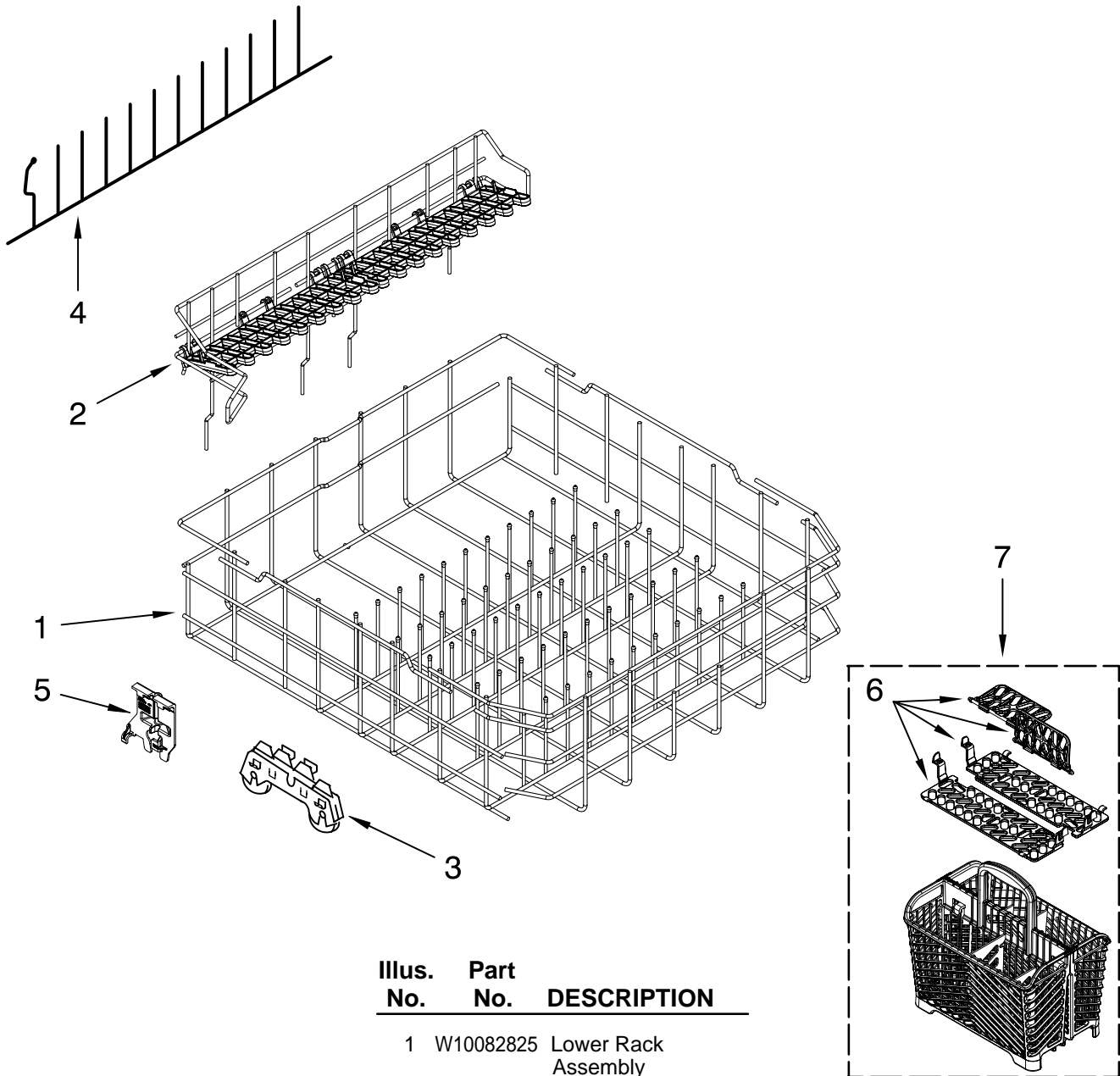


Illus. No.	Part No.	DESCRIPTION
1	W10240139	Dishrack, Upper
2	8565925	Stop, Track Non-Removable
3	W10254909	Wheel
4	3385089	Track, Rack
5	W10199682	Stop, Track Removable

FOR ORDERING INFORMATION REFER TO PARTS PRICE LIST

LOWER RACK PARTS

For Models: MDB7809AWB2, MDB7809AWW2, MDB7809AWQ2, MDB7809AWM2
 (Black) (White) (Biscuit) (Stainless Steel)

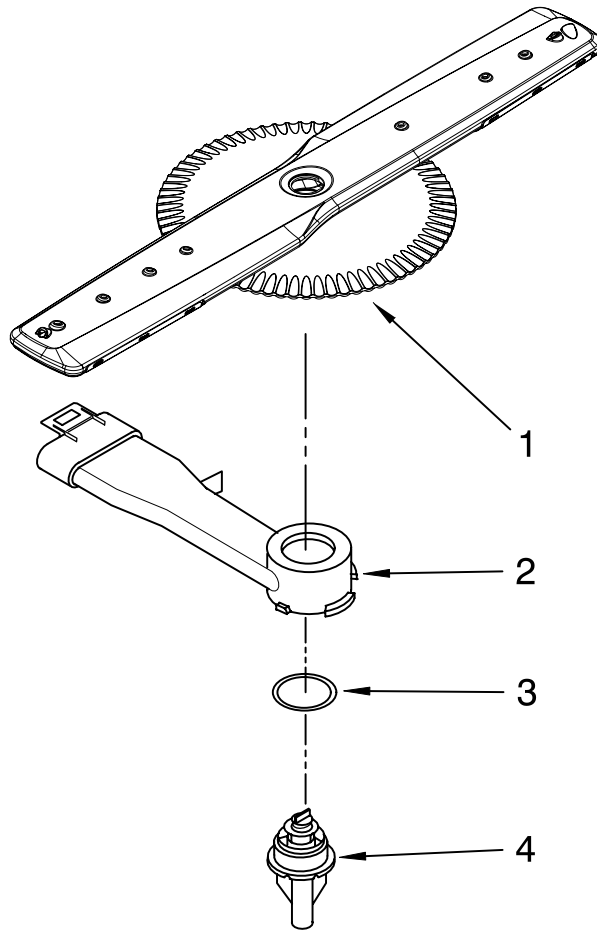


Illus. No.	Part No.	DESCRIPTION
1	W10082825	Lower Rack Assembly
2	W10240162	Cupshelf Assembly
3	W10261335	Wheel & Transport Assembly
4	W10082907	Tine Row Basket
5	W10175279	Retainer, Tine Row
6	W10199681	Lid, Silverware Basket
7	W10199701	Silverware, Basket Assembly (Includes Item 8)

FOR ORDERING INFORMATION REFER TO PARTS PRICE LIST

LOWER WASHARM PARTS

For Models: MDB7809AWB2, MDB7809AWW2, MDB7809AWQ2, MDB7809AWM2
(Black) (White) (Biscuit) (Stainless Steel)



Illus. No.	Part No.	DESCRIPTION
1	W10240183	Wash Arm Assembly
2	8268343	Cap, Internal Rear Feed
3	8268340	Seal, Sprayarm
4	W10077898	Support, Lower Sprayarm

FOR ORDERING INFORMATION REFER TO PARTS PRICE LIST

OPTIONAL PARTS (NOT INCLUDED)

For Models: MDB7809AWB2, MDB7809AWW2, MDB7809AWQ2, MDB7809AWM2
 (Black) (White) (Biscuit) (Stainless Steel)

Illus. Part No. No. DESCRIPTION	Illus. Part No. No. DESCRIPTION	Illus. Part No. No. DESCRIPTION
<u>ACCESSORIES</u>		
Side Panel Kits 8171656 White 8171657 Black 8171658 Biscuit 8171659 Stainless Steel	<u>PAINT, TOUCH-UP (1/2oz.)</u> 72017 White 72032 Black 4392899 Biscuit 4396603 Meteorite	<u>POWER CORD KIT</u> 4317824 Power Cord Kit (Includes Power Cord & Misc. Hardware)
Custom Panel & Trim Kit 8171555 Black 8171556 White 8171557 Biscuit 8171558 Grey	<u>PAINT, PRESSURIZED SPRAY (12 oz.)</u> 350930 White 285006 Superior Black 4392901 Biscuit	<u>ANTI-TIP KIT</u> 8171477 Floor Mount Kit
Moisture Barrier Kit 4396277 Kit	<u>PAINT, BULK (1 qt.)</u> 799344 White (Uncut) 4392900 Biscuit	<u>DISHRACK REPAIR</u> Tip Tine Repair Kit (Enough for Two Complete Dishracks) 4396838 White 4396840 Grey
Drain Hose 3385556 12 Ft.		Vinyl Touch-Up (4 oz.) 676453 White 676455 Grey
Seal Kit 6-919539 Metal Chopper		

FOR ORDERING INFORMATION REFER TO PARTS PRICE LIST

Free Manuals Download Website

<http://myh66.com>

<http://usermanuals.us>

<http://www.somanuals.com>

<http://www.4manuals.cc>

<http://www.manual-lib.com>

<http://www.404manual.com>

<http://www.luxmanual.com>

<http://aubethermostatmanual.com>

Golf course search by state

<http://golfingnear.com>

Email search by domain

<http://emailbydomain.com>

Auto manuals search

<http://auto.somanuals.com>

TV manuals search

<http://tv.somanuals.com>