

DISHWASHER

Repair Parts List

MODEL NUMBER

MDB8600AWS

When requesting service or ordering parts, always provide the following information:

- Product Type
- Part Number
- Model Number
- Part Description

MAYTAG®

©2005 Maytag Services

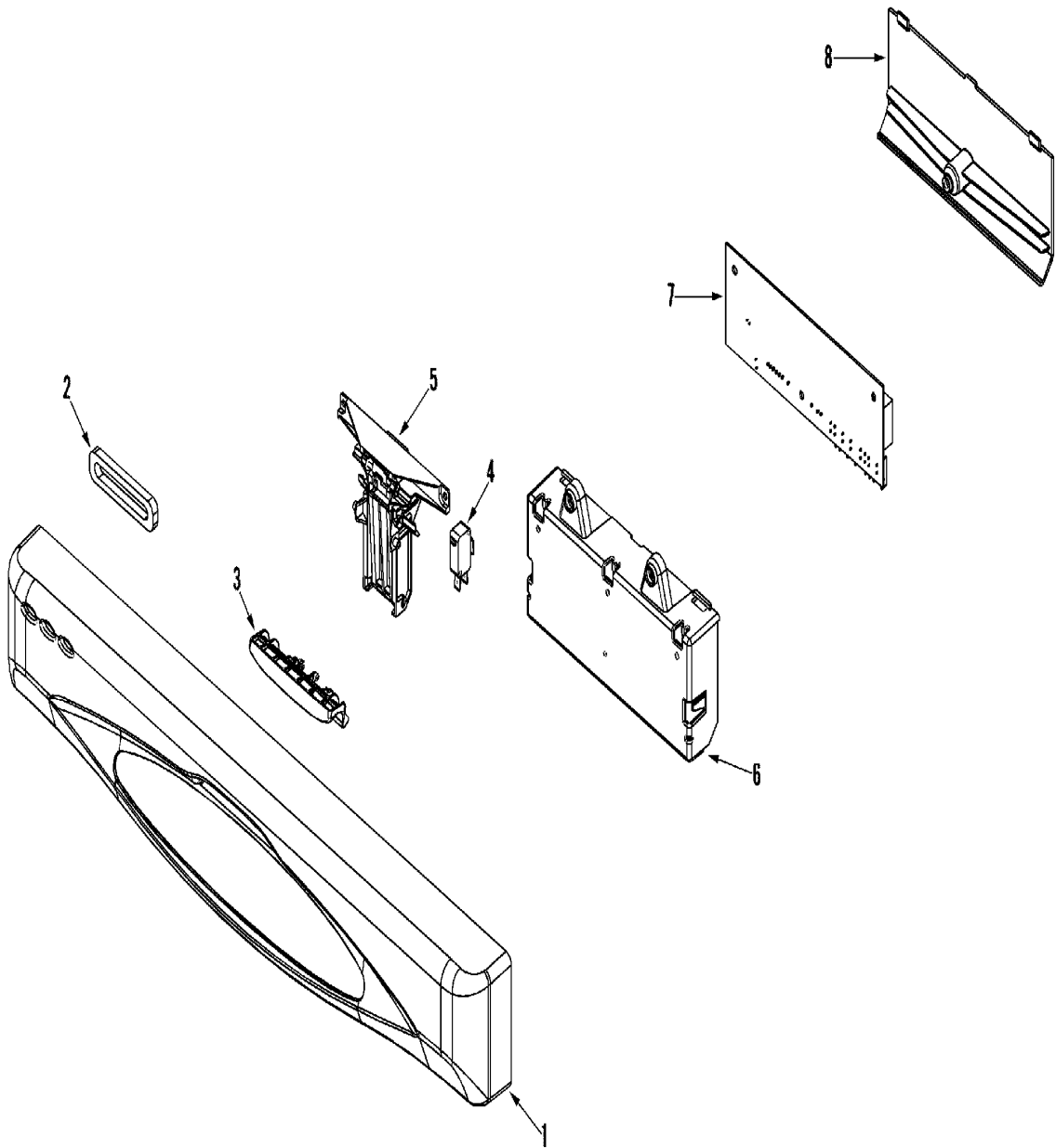
Section: SUPPLEMENTAL INFORMATION

No.	Part No.	Description	Series	Qty
-	99002563	MANUAL, USE & CARE (MDB-4)	10	1
-	16021814	TALL TUB SERVICE MANUAL	10	1
- N	99002907	GUIDE, ENERGY	14	1
-	99003119	GUIDE, ENERGY	22	1
-	99003348	GUIDE, ENERGY (REV C)	26	1
-	99002725	GUIDE, ENERGY	10	1
-	99002854	MISC. PARTS PACKAGE	10	1
-	DAX3400AXX	TOE PANEL SPACER KIT (BLK)	10	1
-	DAX3200AXE	TRIM STRIP KIT (WHT)	10	1
-	DAX3200AXN	TRIM STRIP KIT (BSQ)	10	1
-	DAX3000AXW	WOOD PANEL KIT (WHT)	10	1
-	DAX3000AXQ	WOOD PANEL KIT (BSQ)	10	1
-	DAX3000AXB	WOOD PANEL KIT (BLK)	10	1

*Color Code (-)=Not Shown #=Series, Serial Prefix or Run No., N=Not Available

Section: CONTROL PANEL

Model: MDB8600AWS



DW11-84

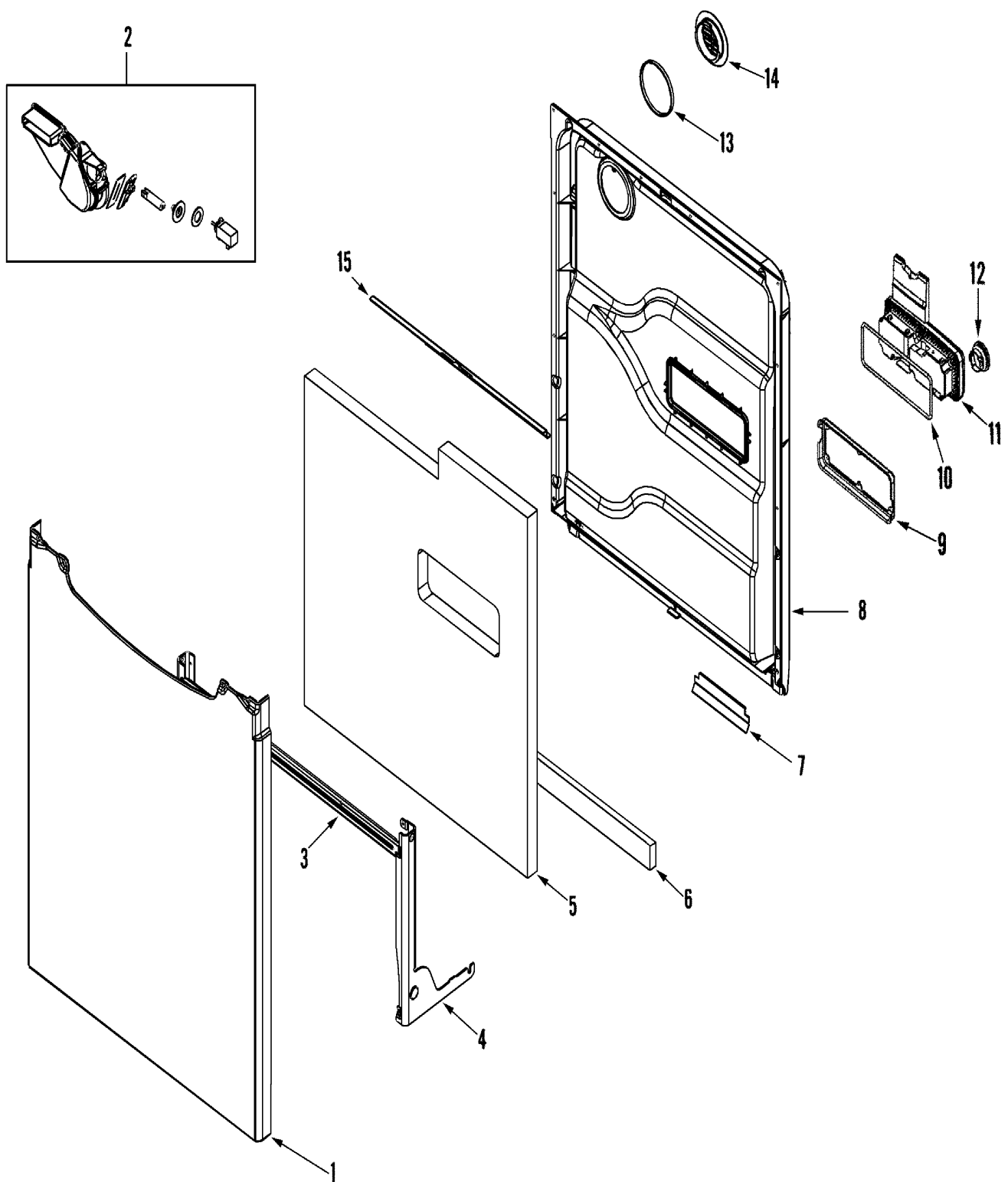
Section: CONTROL PANEL

No.	Part No.	Description	Series	Qty
-	912615	SCREW, #8X1/2 HEX WASHER HEAD Note: SCREW, PANEL	10	4
1	99002787	PANEL, CONTROL (BLK)	10	1
2	99002573	VENT SEAL, CONTROL PANEL	10	1
3	99002577	HANDLE, LATCH (BLK)	10	1
4	99002751	SWITCH, DOOR	10	2
5	99002580	LATCH ASSEMBLY	10	1
6	99002576	HOUSING, BOARD (BASE)	10	1
-	912615	SCREW, #8X1/2 HEX WASHER HEAD Note: SCREW, HOUSING	10	2
7	99002978	BOARD, CONTROL	19	1
7	99002844	BOARD, CONTROL	11	1
7	99002726	BOARD, CONTROL	10	1
8	99002575	HOUSING, BOARD (TOP)	10	1
-	912615	SCREW, #8X1/2 HEX WASHER HEAD Note: SCREW, HOUSING	10	1
-	99002845	WIRE HARNESS, MICROPROCESSOR	11	1
- N	99002581	WIRE HARNESS, MICROPROCESSOR Note: (NEED TO ORDER CONTROL BOARD KIT 99002864)	10	1
-	99002986	WIRE HARNESS, MICROPROCESSOR	20	1

*Color Code (-)=Not Shown #=Series, Serial Prefix or Run No., N=Not Available

Section: DOOR

Model: MDB8600AWS



DW12-68

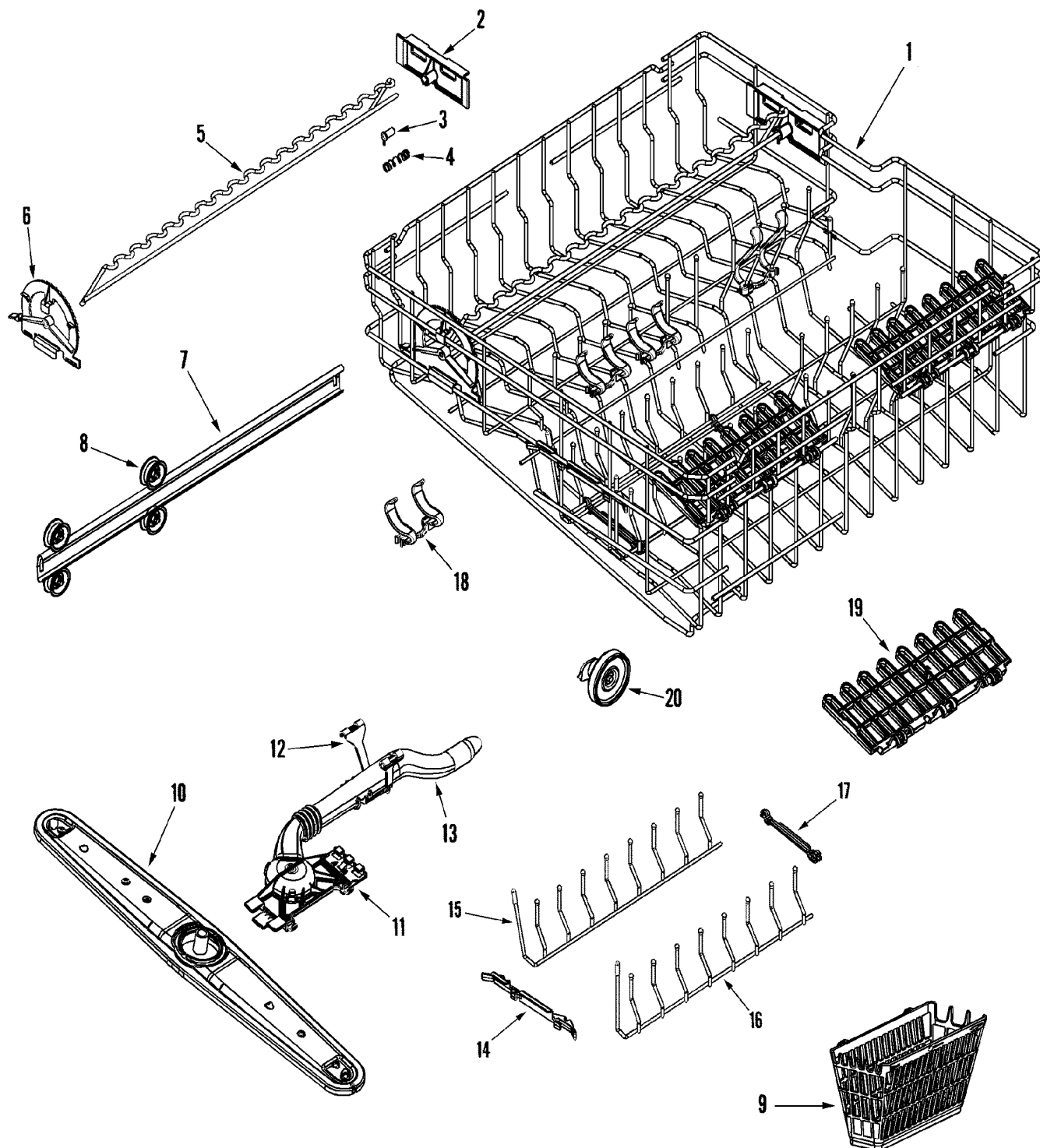
Section: DOOR

No.	Part No.	Description	Series	Qty
1	99002771	PANEL, DECO (W/DAMPER-STNLS)	10	1
2	99002673	VENT HOUSING ASSEMBLY	10	1
3	N 99002604	CROSSBRACE, HINGE	13	1
3	N 99002604	CROSSBRACE, HINGE	10	2
4	99002929	BRACKET, HINGE (LT)	16	1
-	99001075	SCREW Note: SCREW, BRACKET	10	4
4	W10124350	NOT REQUIRED PART OR SEE NOTE Note: ***SEE NOTE*** (IF YOU NEED THE LEFT OR RIGHTHINGE BRACKET FOR MODELS PRIORTO SERIES 16 ORDER 12002134)	10	1
4	99002930	BRACKET, HINGE (RT)	16	1
5	Y99002587	INSULATION, DOOR	10	1
6	903233	FOAM STRIP, INSULATION	10	1
7	99002589	SEAL, DOOR (BTM)	10	2
-	99002756	PUSHNUT, STAINLESS	10	2
8	99002970	DOOR, INNER (W/DAMPER)	17	1
-	Y912620	SCREW Note: SCREW, DOOR	10	11
8	99002776	DOOR, INNER (W/DAMPER)	10	1
9	99002613	BRACKET, DISPENSER MOUNTING	10	1
-	912615	SCREW, #8X1/2 HEX WASHER HEAD Note: SCREW, BRACKET	10	6
10	99002270	SEAL, BASE	10	1
11	99002611	RINSE AID/DETERGENT DISPENSER	10	1
12	99002614	KNOB, RINSE AID (W/O-RING)	10	1
13	99002186	SEAL, DOOR VENT	10	1
14	99002590	BEZEL, DOOR VENT	10	1
-	Y912620	SCREW Note: SCREW, REINFORCEMENT	10	3
15	99002586	REINFORCEMENT, INNER DOOR	10	1

*Color Code (-)=Not Shown #=Series, Serial Prefix or Run No., N=Not Available

Section: RACK ASSEMBLY (UPR)

Model: MDB8600AWS



DW15-99

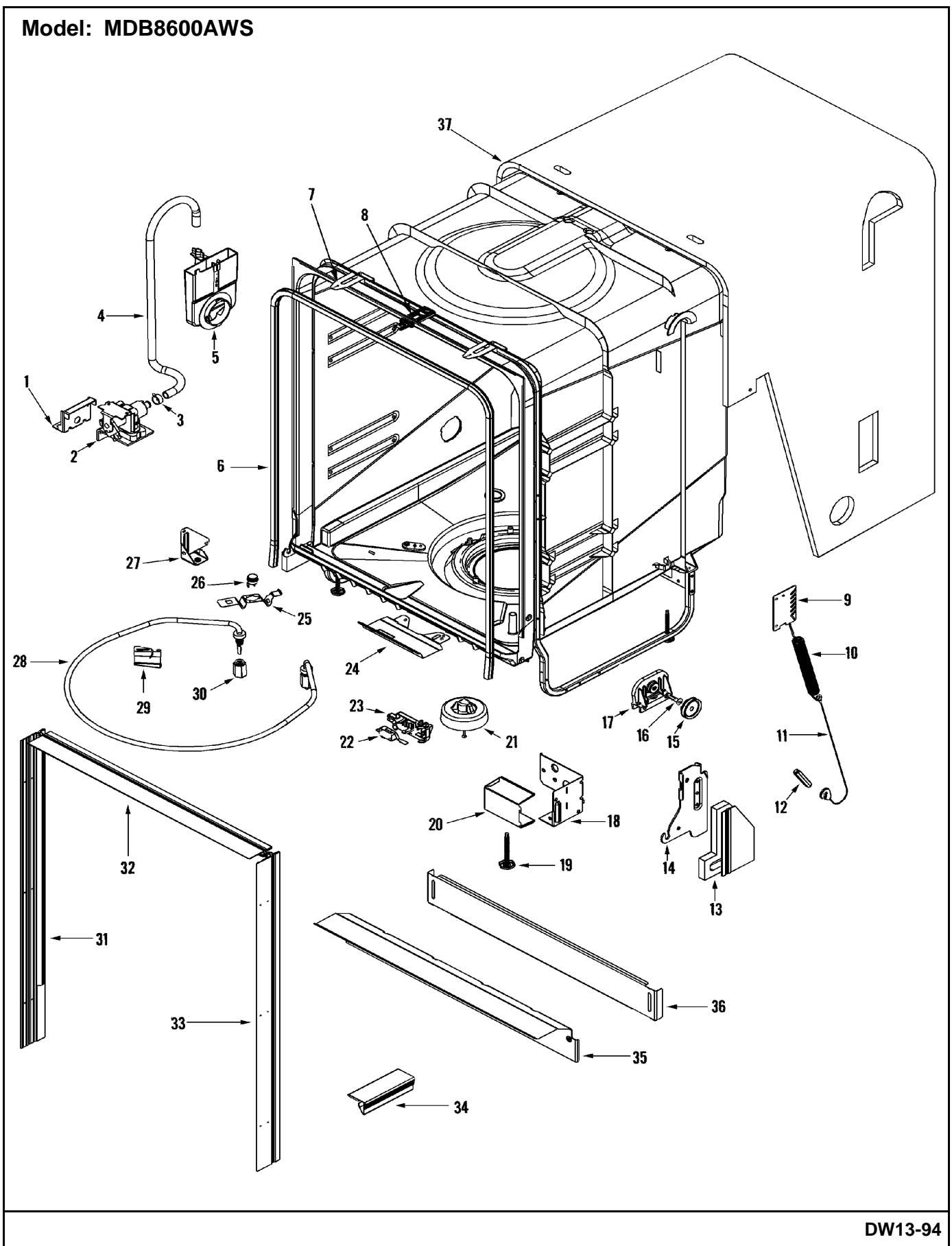
Section: RACK ASSEMBLY (UPR)

No.	Part No.	Description	Series	Qty
-	99002905	CAP, RACK (DARK GRAY)	10	1
1	99003019	RACK ASSEMBLY (UPR)	23	1
1	99002742	RACK ASSEMBLY (UPR)	10	1
2	99002712	VARILOCK (REAR)	10	1
3	99002714	CUP, VARILOCK	10	1
4	99002715	SPRING, VARILOCK	10	1
5	99002713	SUPPORT, VARILOCK	10	1
6	99002711	VARILOCK (FRT)	10	1
-	99002623	STOP, RACK (GRAY)	10	4
7	99002621	TRACK, RACK	10	2
-	Y912798	WASHER, TUB WHEEL	10	8
-	99002343	SHAFT, TUB WHEEL	10	8
8	99002622	WHEEL, TUB	10	8
9	99002620	BASKET, AUXILLARY (BLUE)	10	1
10	99002624	ARM, WASH (UPR)	10	1
11	99002669	CLIP, UPR WASH MANIFOLD (FRT)	10	1
12	99002670	CLIP, UPR WASH MANIFOLD (BACK)	10	1
13	99002679	WASH MANIFOLD ASSY (UPR)	10	1
14	99002710	LATCH, FOLD AWAY TINE	10	1
15	99002708	TINE, FOLD AWAY (LT)	10	1
16	99002707	TINE, FOLD AWAY (RT)	10	1
17	99002709	PIVOT, FOLD AWAY TINE	10	2
18	99002696	CLIP, CUP (BLUE)	10	3
19	99002671	SHELF, CUP (UPR)	10	2
20	99002781	WHEEL ASSEMBLY (UPR)	10	4

*Color Code (-)=Not Shown #=Series, Serial Prefix or Run No., N=Not Available

Section: TUB

Model: MDB8600AWS



DW13-94

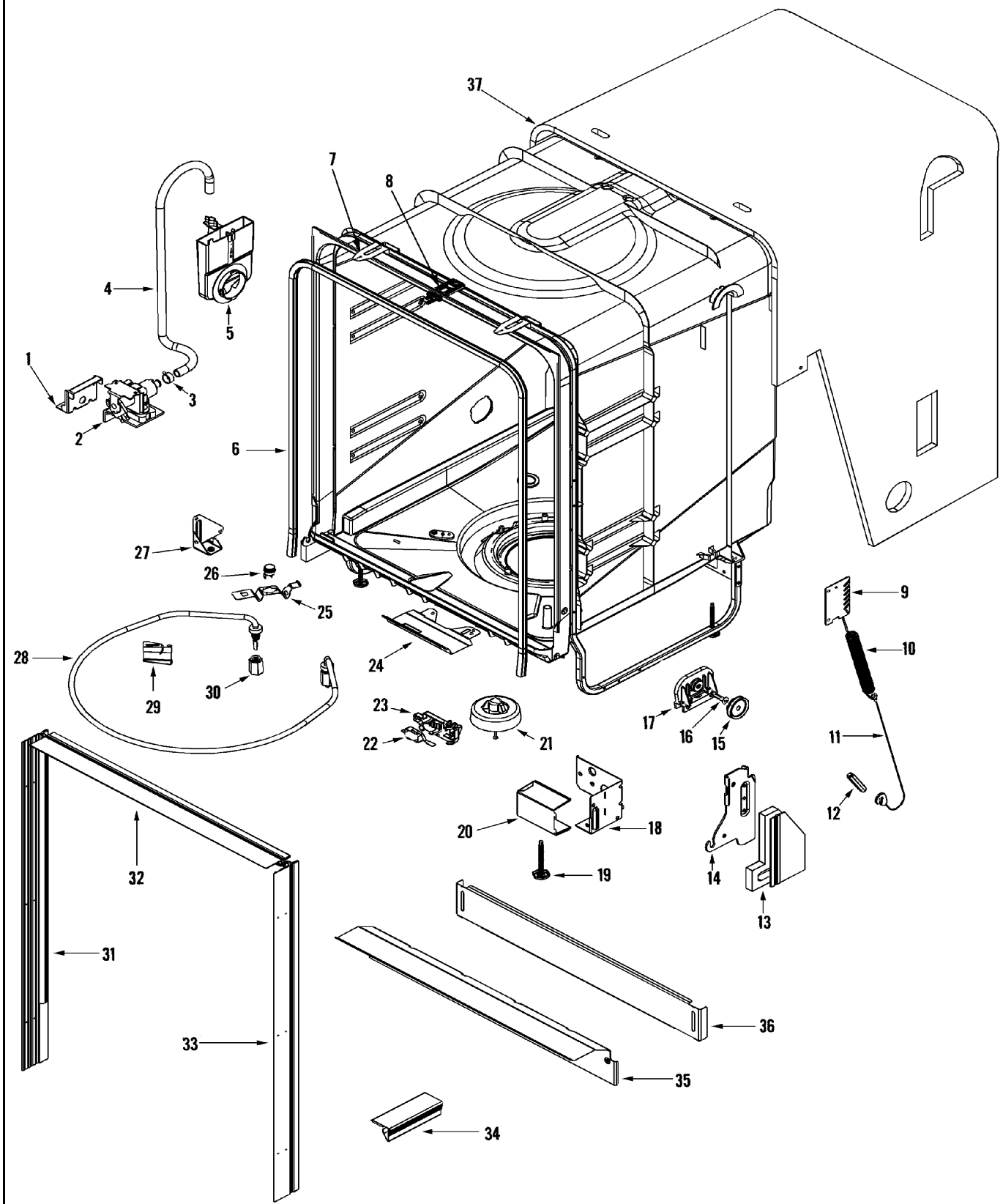
Section: TUB

No.	Part No.	Description	Series	Qty
1	99002629	BRACKET, WATER VALVE	10	1
-	99002601	SCREW 10-32X.400 (T-20 HEAD) Note: SCREW, BRACKET	10	2
-	99002553	SCREW-#8X7/16 HEX WASHER HEAD Note: SCREW, VALVE	10	2
2	99002628	VALVE, WATER	10	1
2	99002975	VALVE, WATER	19	1
3	911856	CLAMP, SPRING	10	1
4	99002852	HOSE, INJECTOR	10	1
- N	99002955	FOAM BLOCK, AIR/WATER INLET Note: (APPLY TO PLASTIC TUB BELOW AIR WATER INLET)	10	1
-	99002646	SEAL, AIR/WATER INLET	10	1
-	99002647	COVER, AIR/WATER INLET	10	1
-	99002867	FOAM INSERT, AIR/WATER INLET	10	2
- N	99002954	FELT, AIR/WATER INLET Note: (APPLY TO PLASTIC TUB BELOW AIR WATER INLET)	10	1
5	99002645	INLET, AIR/WATER	10	1
6	99002588	SEAL, DOOR	10	1
7	99002648	BRACKET, CABINET MOUNTING	10	2
-	99002601	SCREW 10-32X.400 (T-20 HEAD) Note: SCREW, STRIKER	10	1
8	99002644	STRIKER, DOOR	10	1
-	99002601	SCREW 10-32X.400 (T-20 HEAD) Note: SCREW, BRACKET	10	4
9	99002610	BRACKET, SPRING ADJUSTMENT	10	2
10	99002598	SPRING, DOOR	10	2
11	99002605	CABLE, DOOR	10	2
12	99002606	LINK, DOOR CABLE	10	2
13	99002762	BACKER, HINGE SEAL (RT)	10	1
-	99002761	BACKER, HINGE SEAL (LT)	10	1
14	99002763	SUPPORT, HINGE (RT)	10	1
14	99002764	SUPPORT, HINGE (LT)	10	1
-	99002601	SCREW 10-32X.400 (T-20 HEAD) Note: SCREW, SUPPORT	10	4
15	99002608	ROLLER, CABLE BRACKET	10	2
16	99002609	SHOULDER BOLT, CABLE BRACKET	10	2
17	99002607	BRACKET, CABLE	10	2
-	99002601	SCREW 10-32X.400 (T-20 HEAD) Note: SCREW, BRACKET	10	4
-	99002601	SCREW 10-32X.400 (T-20 HEAD) Note: SCREW, BRACKET	10	2
18	99002637	BRACKET, JUNCTION BOX SUPPORT	10	1
19	99002635	LEG, LEVELING	10	4
20	99002638	COVER, JUNCTION BOX	10	1
-	912365	SCREW Note: SCREW, COVER	10	1
21	99002630	FLOAT	10	1
22	99002631	SWITCH, FLOAT	10	1
-	99002749	SCREW, STEEL HEX HD PLASITE Note: SCREW, PLATE	10	1
23	99002632	PLATE, SWITCH MOUNTING	10	1
-	99002858	CLIP, TINNEMAN	12	1
-	99002754	CLIP, WIRE	10	1
-	99002855	CLAMP, HARNESS	12	1
24	99002641	SHIELD, TUB	10	1
-	99002749	SCREW, STEEL HEX HD PLASITE Note: SCREW, SHIELD	10	1
24	99002856	SHIELD, TUB	12	1
25	99002634	CLIP, THERMOSTAT	10	1
26	99002633	THERMOSTAT, LIMITING	10	1
27	99002636	BRACKET, SUPPORT (LT)	10	1
-	99002601	SCREW 10-32X.400 (T-20 HEAD) Note: SCREW, BRACKET	10	2
28	99002625	HEATER	10	1
28	99002971	HEATER (W/GASKET)	18	1
-	99002973	GASKET, HEATER	18	2
29	99002626	BRACKET, HEATER SUPPORT	10	2
30	99002972	NUT, HEATER	18	2
30	99002627	NUT, HEATER	10	2

*Color Code (-)=Not Shown #=Series, Serial Prefix or Run No., N=Not Available

Section: TUB

Model: MDB8600AWS



DW13-94

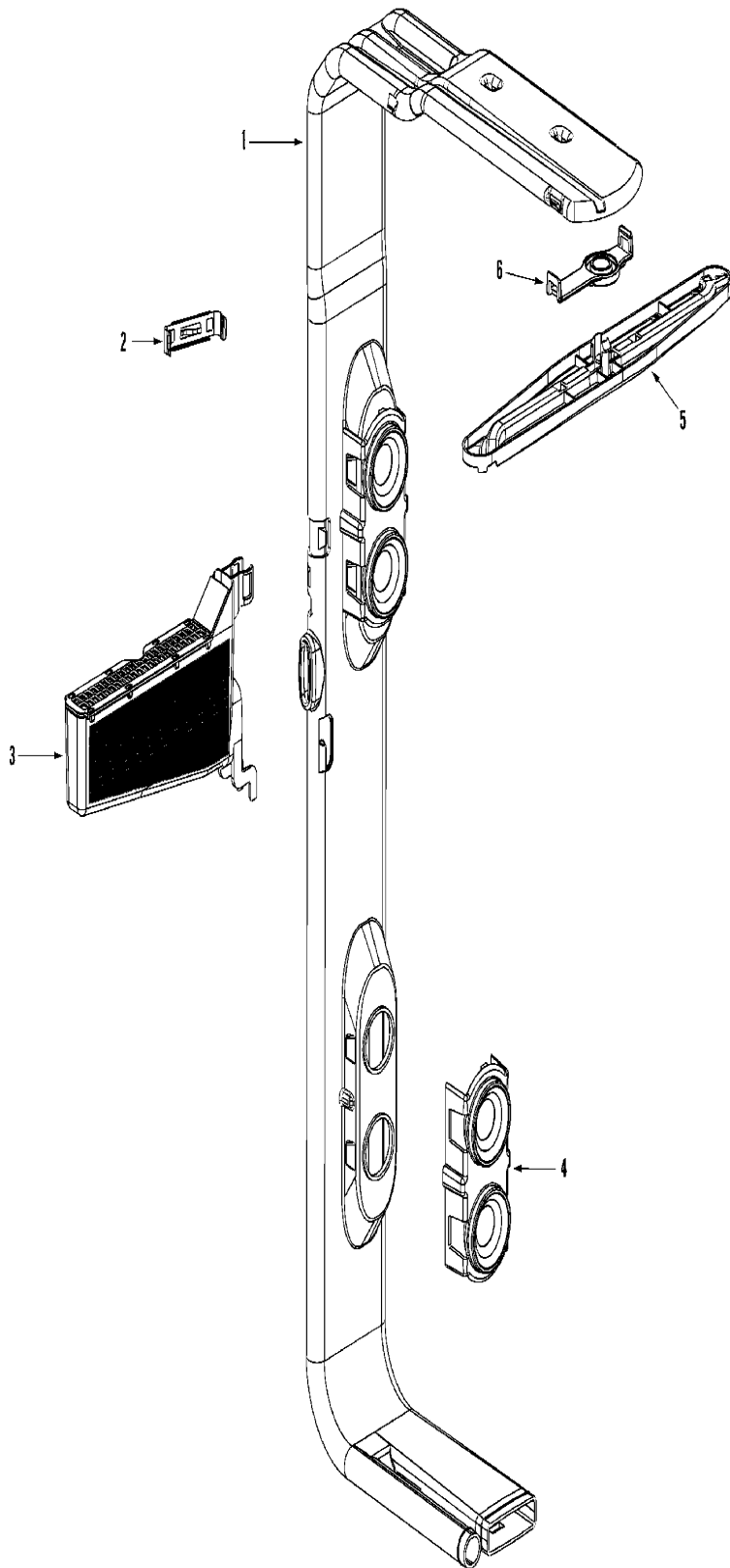
Section: TUB

No.	Part No.	Description	Series	Qty
-	Y913079	O-RING, HEATER	10	2
31	99002690	STRIP, TRIM/MOUNTING (LT)	10	1
-	99002692	SCREW, TRIM MOUNTING	10	4
32	99002723	STRIP, TRIM/MOUNTING (TOP)	10	1
33	99002691	STRIP, TRIM/MOUNTING (RT)	10	1
-	99002692	SCREW, TRIM MOUNTING	10	4
34	99002701	GAP SEAL, TOE KICK (BLK)	10	2
35	99002859	SUPPORT, FRONT (W/SEALS)(BLK)	10	1
-	912366	SCREW --++*** Note: SCREW, SUPPORT (BLK)	10	2
36	99002765	PANEL, TOE (W/DAMPER-BLK)	10	1
-	99002694	SOUND SEAL, TOE PANEL (BLK)	10	1
-	912366	SCREW --++*** Note: SCREW, PANEL (BLK)	10	2
-	99002640	FASTENER, INSULATION	10	2
37	99002849	INSULATION, TUB	10	1

*Color Code (-)=Not Shown #=Series, Serial Prefix or Run No., N=Not Available

Section: WATER DISTRIBUTION ASSEMBLY

Model: MDB8600AWS



DW14-60

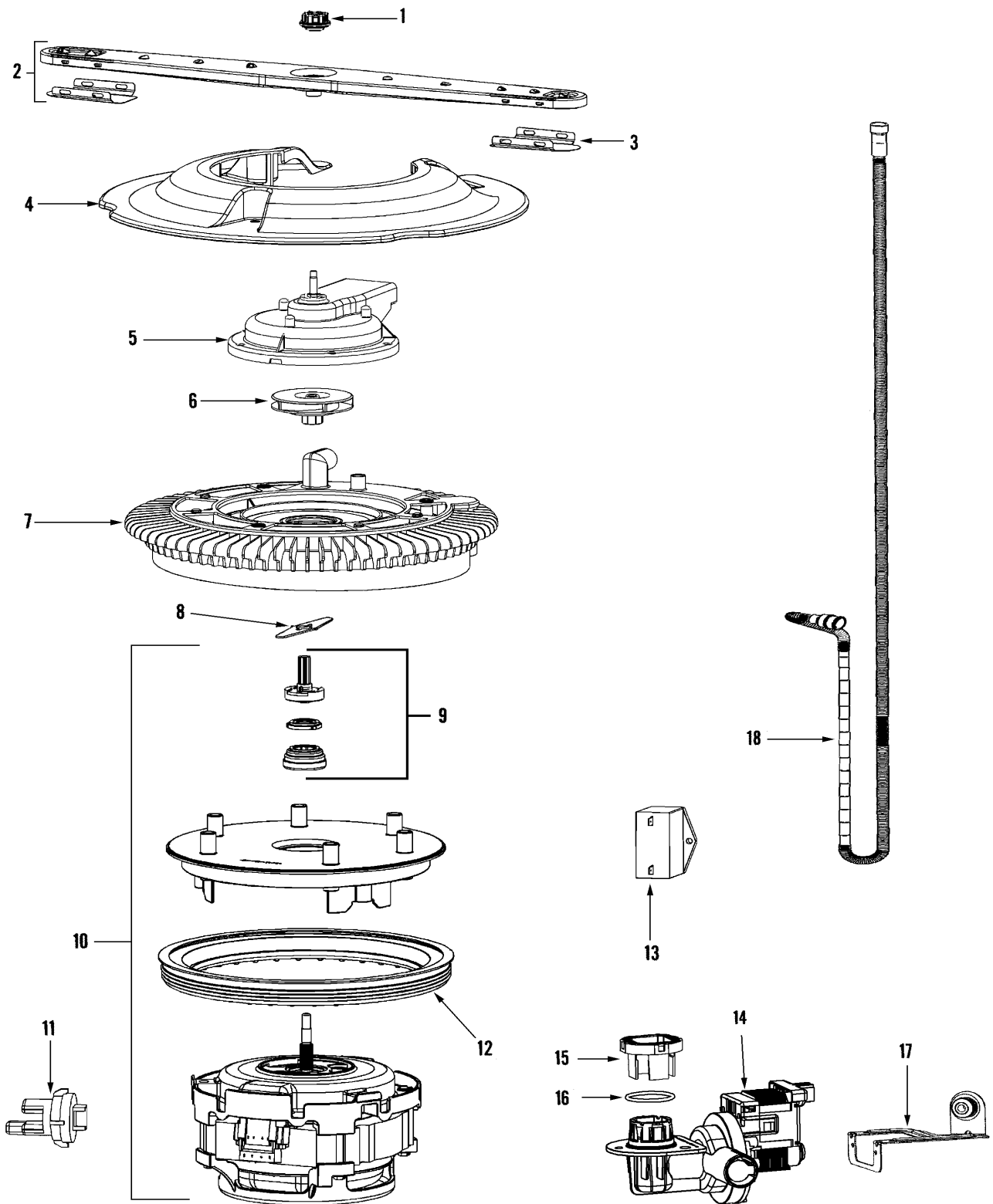
Section: WATER DISTRIBUTION ASSEMBLY

No.	Part No.	Description	Series	Qty
1	99002738	MANIFOLD, MAIN MULTI-LEVEL	10	1
2	99002643	BRACKET, MANIFOLD MOUNTING	10	2
-	W10124350	NOT REQUIRED PART OR SEE NOTE Note: (PART NO LONGER NEEDED AT SERIES 25)	25	0
3	99002846	FILTER, OVER-PRESSURE (W/CVR)	10	1
4	99002674	STATION, DOCKING (W/FLAPPER)	10	2
5	99002676	WASH ARM, TOP (W/RETAINER)	10	1
6	99002753	RETAINER, TOP WASH ARM	10	1

*Color Code (-)=Not Shown #=Series, Serial Prefix or Run No., N=Not Available

Section: PUMP & MOTOR

Model: MDB8600AWS



DW14-59

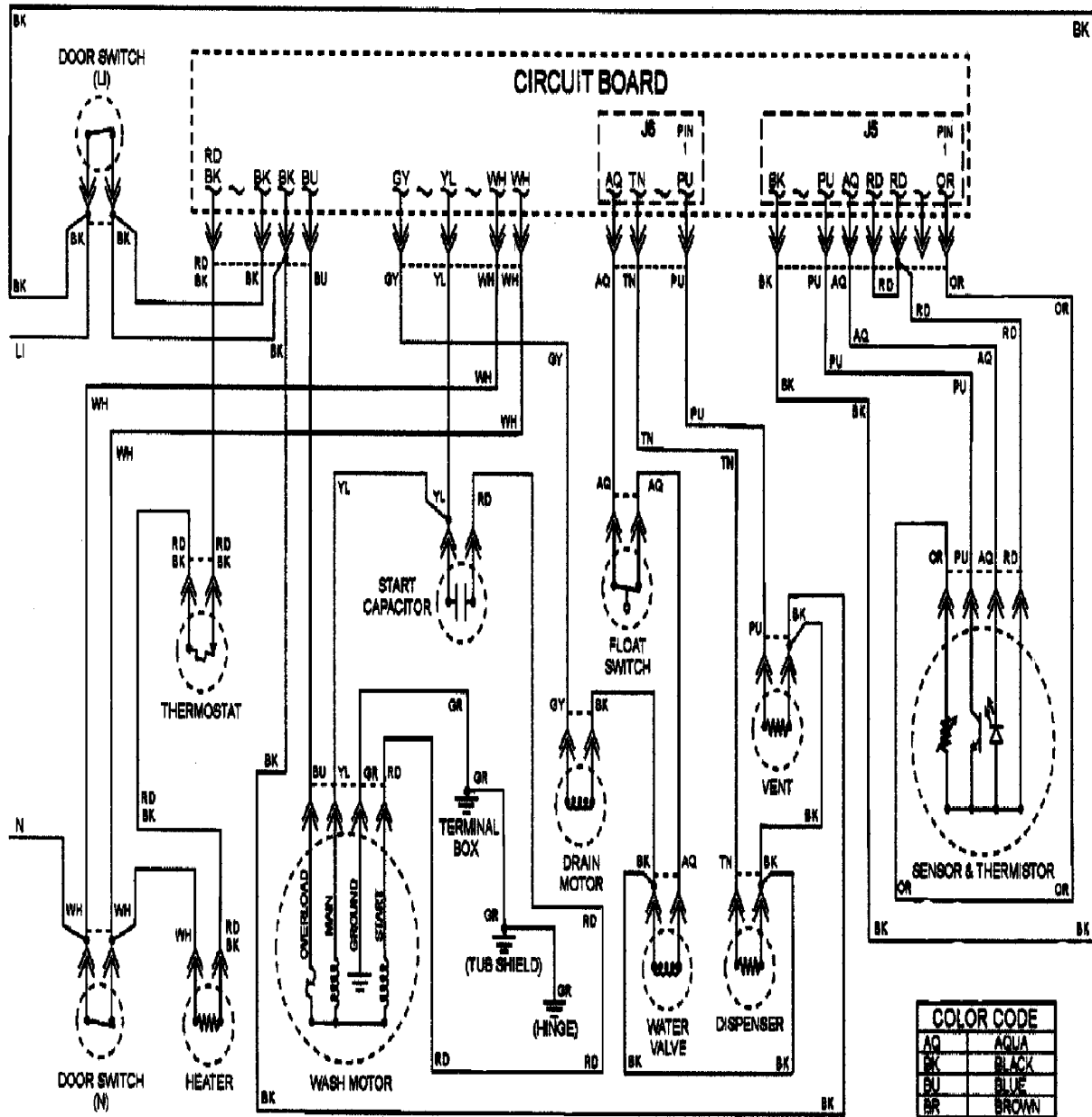
Section: PUMP & MOTOR

No.	Part No.	Description	Series	Qty
1	99002654	CAP, WASH ARM	10	1
2	99002678	WASH ARM, LOWER (W/SHIELDS)	10	1
3	99002653	SHIELD, RADIANT	10	2
-	99002666	SCREW Note: SCREW, GUARD	10	3
4	99002655	GUARD, FILTER (GRAY)	10	1
5	99002677	DISCHARGE HOUSING ASSY (UPR)	10	1
-	99002664	SCREW, DISCHARGE HOUSING	10	6
6	99002741	WASH IMPELLER ASSEMBLY	10	1
-	99002660	SCREW, IMPELLER	10	1
7	99002661	FILTER/FLOWPLATE ASSEMBLY	10	1
-	99002668	SCREW, STAINLESS PAN HEAD Note: SCREW, FILTER/FLOWPLATE	10	3
8	99002658	CHOPPER	10	1
9	99002981	WASH MOTOR SEAL KIT	20	1
9	99002760	WASH MOTOR SEAL KIT	10	1
10	99002759	WASH MOTOR ASSY SEAL NOT INCL Note: ORIG PART HAS SEAL. SUB PART WILL NOT HAVE SEAL. ORDER SEAL SEPERATELY.	10	1
10	99002980	WASH MOTOR ASSY SEAL NOT INCL	20	1
-	99002651	O-RING, TURBIDITY SENSOR	10	1
11	99002650	SENSOR, TURBIDITY	10	1
-	912615	SCREW, #8X1/2 HEX WASHER HEAD Note: SCREW, SENSOR	10	2
12	99002663	GASKET, PUMP	10	1
-	99002601	SCREW 10-32X.400 (T-20 HEAD) Note: SCREW, CAPACITOR	10	1
13	99002665	CAPACITOR, MOTOR	10	1
14	99002750	DRAIN PUMP ASSEMBLY	10	1
-	99002815	FLAPPER, DRAIN PUMP VALVE	10	1
15	99003058	FLAPPER, DRAIN FILTER	10	1
16	99002857	O-RING, DRAIN PUMP	10	1
-	99002657	SCREW, DRAIN PUMP MOUNTING	10	1
17	99002752	BRKT, DRAIN PUMP (W/GROMMET)	10	1
-	99002656	CLAMP, DRAIN HOSE (1-3/8")	10	1
18	99002652	HOSE, DRAIN	10	1

*Color Code (-)=Not Shown #=Series, Serial Prefix or Run No., N=Not Available

Section: WIRING INFORMATION

Model: MDB8600AWS



KEY	
+	WIRES NOT CONNECTED
↓	WIRES CONNECTED

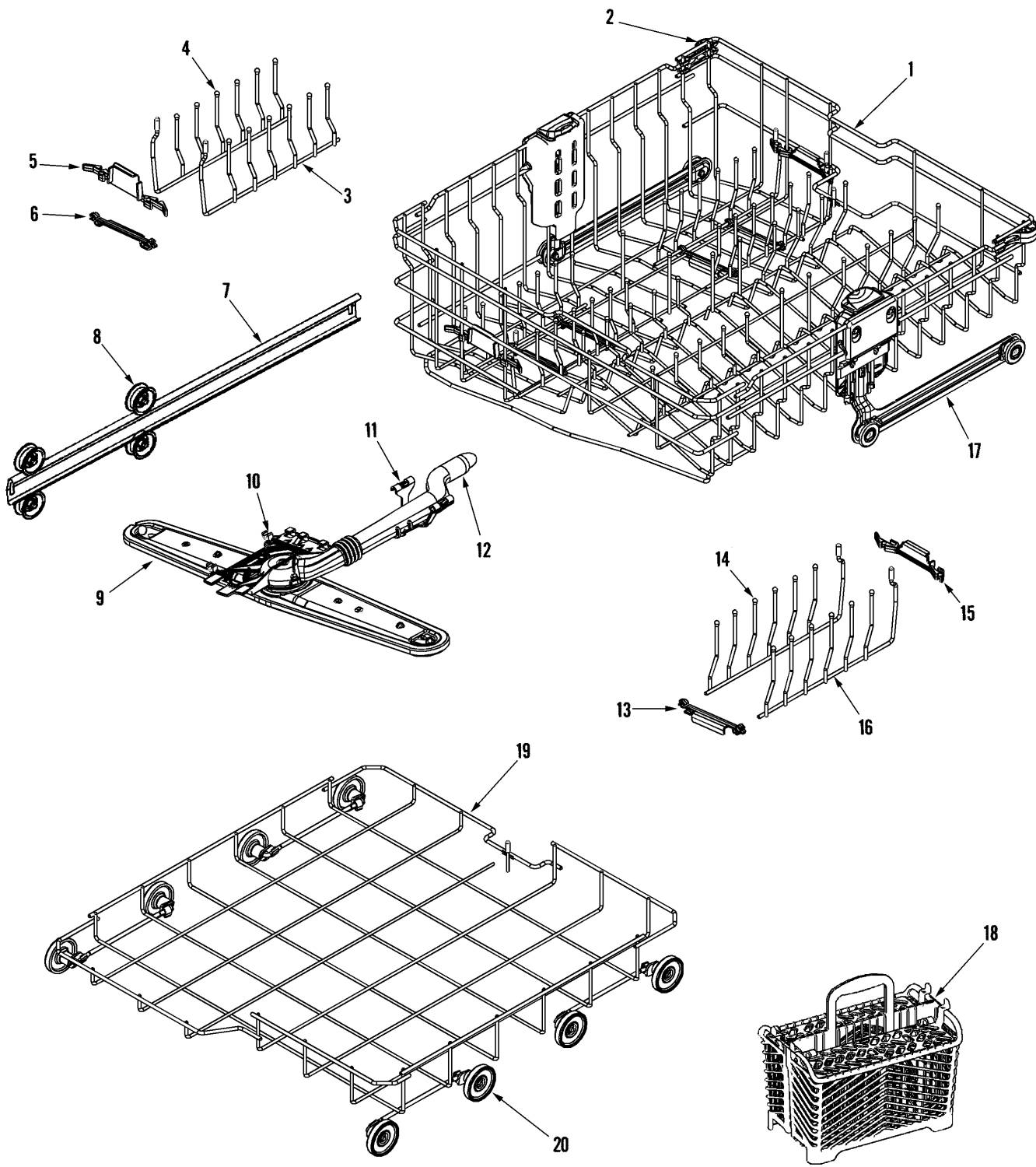
NOTE: SOME WIRES HAVE STRIPES. STRIPED WIRES ARE LABELED WITH THE SOLID COLOR FIRST AND THE STRIPE COLOR SECOND.

EXAMPLE: A RED WIRE WITH A BLACK STRIPE WOULD BE LABELED RD BK

15003043

Section: RACK ASSEMBLY (MIDDLE/LWR)

Model: MDB8600AWS



DW15-100

Section: RACK ASSEMBLY (MIDDLE/LWR)

No.	Part No.	Description	Series	Qty
-	99002905	CAP, RACK (DARK GRAY)	10	1
1	99002727	RACK ASSEMBLY (MIDDLE)	10	1
1	99003207	RACK ASSEMBLY (MIDDLE)	23	1
2	99002853	SNUGGER, RACK	10	2
3	Y00000000	SEE NOTE Note: FOR RIGHT TINE ORDER FRONT TINE ASSY(PART 99003639)	10	1
4	Y00000000	SEE NOTE Note: FOR LEFT TINE ORDER FRONT TINE ASSY(PART 99003639)	10	1
5	99002737	LATCH, FOLD AWAY TINE (FRT)	10	1
6	99002735	PIVOT, FOLD AWAY TINE	10	2
7	99002621	TRACK, RACK	10	2
-	99002623	STOP, RACK (GRAY)	10	4
-	99002343	SHAFT, TUB WHEEL	10	8
8	99002622	WHEEL, TUB	10	8
-	Y912798	WASHER, TUB WHEEL	10	8
-	99002740	SCREW, TRUSS HEAD (10-18X.75) Note: SCREW, WASH ARM	10	1
9	99002739	ARM, WASH (MIDDLE)	10	1
10	99002732	CLIP, MIDDLE MANIFOLD (FRT)	10	1
11	99002758	CLIP, MIDDLE MANIFOLD (BACK)	10	1
12	99002793	WASH MANIFOLD ASSY (MIDDLE)	10	1
13	99002735	PIVOT, FOLD AWAY TINE	10	2
14	Y00000000	SEE NOTE Note: FOR LEFT TINE ORDER REAR TINE ASSEMBLY (PART 99003640)	10	1
15	99002736	LATCH, FOLD AWAY TINE (REAR)	10	1
16	Y00000000	SEE NOTE Note: FOR RIGHT TINE ORDER REAR TINEASSEMBLY (PART 99003640)	10	1
-	99003020	STABILIZER, RACK ADJUSTER	23	1
-	99003178	LEVER, ADJUSTER (BLUE)	23	2
17 N	99002783	ADJUSTER, RACK (RT) Note: (MUST ORDER RACK ASSEMBLY)	10	1
-	99003010	SCREW (T15) 8-18 X .500	23	11
- N	99002782	ADJUSTER, RACK (LT) Note: (MUST ORDER RACK ASSEMBLY)	10	1
-	99003009	RACK ADJUSTER ASSEMBLY (RT)	23	1
-	99003008	RACK ADJUSTER ASSEMBLY (LT)	23	1
-	99003011	COVER, RACK ADJUSTER (GRAY)	23	2
-	99002730	BASKET, SPLIT/FIT	10	2
-	99002731	COVER, SPLIT/FIT BASKET	10	2
18	99002729	SPLIT/FIT BASKET	10	1
19	99002962	PAN RACK ASSEMBLY	17	1
-	99002905	CAP, RACK (DARK GRAY)	10	1
19	99002728	PAN RACK ASSEMBLY	10	1
20	99002780	WHEEL ASSEMBLY (LWR)	10	8

*Color Code (-)=Not Shown #=Series, Serial Prefix or Run No., N=Not Available

Free Manuals Download Website

<http://myh66.com>

<http://usermanuals.us>

<http://www.somanuals.com>

<http://www.4manuals.cc>

<http://www.manual-lib.com>

<http://www.404manual.com>

<http://www.luxmanual.com>

<http://aubethermostatmanual.com>

Golf course search by state

<http://golfingnear.com>

Email search by domain

<http://emailbydomain.com>

Auto manuals search

<http://auto.somanuals.com>

TV manuals search

<http://tv.somanuals.com>