




# MAYTAG **USER'S GUIDE**

Congratulations on your purchase of a Maytag Performa™ clothes washer! Your satisfaction is very important to us.

**Read this manual for best results.** It contains instructions to acquaint you with proper operating and maintenance procedures.

In addition you will find a *Laundering Tips* guide packed with your clothes washer. It contains information on recommended laundering procedures, stain removal and special laundering situations.

**Save time and money.** If something should go wrong, we suggest consulting the "Before You Call" section. It is designed to help you solve basic problems before consulting a servicer.

If you have questions, write us (include your model and serial numbers and your phone number) or call:

Maytag Appliances Sales Company  
Attn: CAIR® Center  
P.O. Box 2370  
Cleveland, TN 37320-2370  
1-800-688-9900 USA  
1-800-688-2002 CANADA  
1-800-688-2080 USA TTY (for deaf, hearing impaired, or speech impaired)  
(Mon.–Fri., 8am–8pm Eastern Time)  
Internet: <http://www.maytag.com>

## **Table of Contents**

<b>Safety instructions</b> . . . . .	<b>1</b>
<b>Operating tips</b> . . . . .	<b>2</b>
<b>Controls at a glance</b> . . . . .	<b>3-4</b>
<b>Special features</b> . . . . .	<b>5-6</b>
<b>Care and cleaning</b> . . . . .	<b>6</b>
<b>Before you call</b> . . . . .	<b>7</b>
<b>Warranty</b> . . . . .	<b>8</b>
<b>Guide de l'utilisateur</b> . . . . .	<b>10</b>
<b>Guía del usuario</b> . . . . .	<b>20</b>

# Important Safety Instructions



**WARNING:** To reduce the risk of fire, explosion, electric shock, or personal injury when using your washer, follow basic safety precautions, including the following:

1. Read all instructions carefully before using the washer. Retain all instructions for future reference.
2. Properly install and locate in accordance with the Installation Instructions.  
Must be properly grounded-see Installation Instructions.  
Should anyone get an electric shock from the washer, disconnect electrical power. Do not operate until it has been repaired by a qualified service technician.  
Install or store where it will not be exposed to temperatures below freezing or exposed to the weather.  
Connect to a properly rated, protected and sized power supply circuit. See Electrical Requirements.  
Connect to adequate plumbing and drain facilities.  
Have a qualified service technician install your washer.
3. To prevent injury to children:  
Do not allow children to play inside, on, or with the washer.  
Close supervision of children is necessary when using the washer.  
When children are mature enough, instruct them in the safe, correct use of the washer.  
Keep all laundry aids out of the reach of children, preferably in a locked cabinet. Use laundry aids only as directed by the manufacturer observing all warnings on container labels.  
Destroy the carton and plastic bags after unpacking the washer. Cartons covered with rugs, bedspreads, or plastic sheet can create a chamber with inadequate ventilation.  
Remove the door to the washing compartment before the washer is removed from service or discarded.
4. Do not reach into the washer if the tub or agitator is moving. The washer is equipped with a safety switch for your protection. If action does not stop when the washer lid is opened during the spin cycle, disconnect the electrical power to the washer. Do not operate the washer until it has been repaired by a qualified technician.
5. Do not tamper with the operating controls.
6. To prevent personal injury and damage to the washer, do not repair or replace any part of the washer or attempt any servicing. Servicing should be referred to a qualified service technician.
7. Do not wash fiberglass articles unless recommended by manufacturer.
8. Flame resistant finishes – improper laundering could remove them. Follow garment manufacturer's instructions carefully.
9. When moving, have the washer checked and properly installed by a qualified technician.
10. Inlet hoses are subject to damage and deterioration over time. Check the hoses periodically for bulges, kinks, cuts, wear or leaks and replace them every five years.
11. Do not allow pets to be inside, on, or in front of the washer.

## **WARNING! FIRE HAZARD**

Do not add gasoline, dry-cleaning solvents, or other flammable or explosive substances to the wash water. These substances give off vapors that could ignite or explode.

Do not wash articles which have been previously cleaned, washed, soaked, or spotted with gasoline, dry-cleaning solvents, oil, waxes, chemical solvents, alcohol, turpentine, or other flammable or explosive materials. These substances will be retained in articles, and articles which still contain these flammable or explosive substances give off vapors that could ignite or explode.

Observe these precautions when using cleaning fluids, spot or stain removers, etc. These products should be labeled "nonflammable." Use according to manufacturers directions in a well ventilated area or outdoors. Thoroughly rinse articles by hand before placing them in the washer. Some of these products – rust removers for example – will damage components and the finish of the washer.

Keep area around and underneath washer free from the accumulation of combustible materials, such as lint, paper, rags, gasoline, and all other flammable vapors and liquids.

**HYDROGEN GAS IS EXPLOSIVE!** Under certain conditions, hydrogen gas may be produced in a hot water system that has not been used for two weeks or more. If the hot water system has not been used for such a period, before using the washer, turn on all the hot water faucets and let the water flow from each faucet for several minutes. This will release any accumulated hydrogen gas. As this gas is flammable, do not smoke or use an open flame during this procedure.

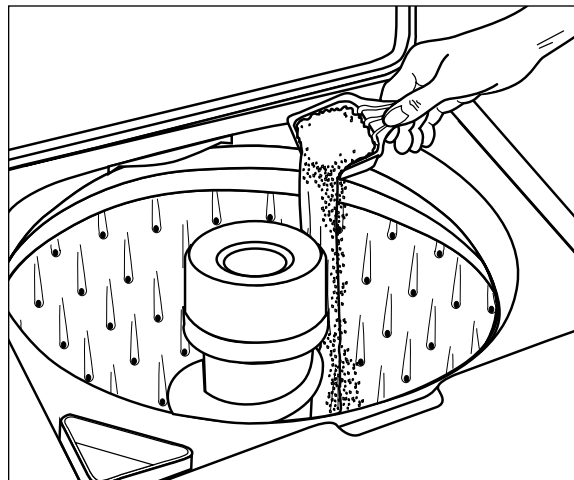
Recent studies have shown that if vegetable oil contaminated materials are incompletely washed, a carry-over and buildup of the oil may contribute to a chemical reaction (spontaneous combustion) that could cause a load to catch fire by itself. This would be more likely to happen if the load were left in the dryer after tumbling stopped or if items were folded and stacked while warm.

# Operating Tips

For detailed information on sorting, pretreating stains, etc., see the enclosed *Laundering Tips* pamphlet.

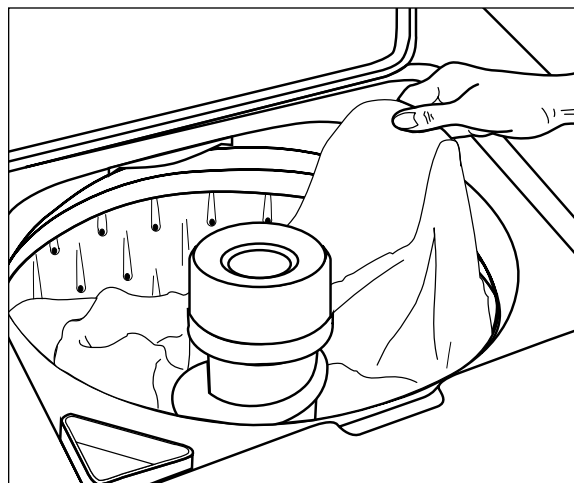
## Detergent

- Use either liquid or granular laundry detergent. **For best results, be sure detergent is added to the washer BEFORE the load and be sure the wash water is above 65° F.**
- Use the correct amount of detergent for the load size, soil level and water conditions. Use more detergent if you have hard water and very soiled loads.  
If you have soft water or a lightly soiled load, use less detergent. (See manufacturer's instructions.)
- Wipe up any detergent spills on the washer.



## Loading

- Put dry, unfolded clothes loosely in the tub, up to the top row of holes for a maximum load.
- Do not wrap large items like sheets around the agitator.
- Mix large and small items for best circulation. Wash bulky items like blankets separately.
- When laundering wrinkle free items or items of delicate construction, washable woolens or loosely knit items, never use less than the MEDIUM water level setting. This will minimize shrinkage, wrinkling and pulling of seams.



## Additional Tips

- The washer will pause briefly throughout each cycle. These pauses are normal.
- This washer is designed so that it will not spin when the lid is open. It will, however, fill and agitate with the lid open so water is available for pretreating stains or diluting fabric softener.
- If you open the lid during a spin cycle, the washer will stop. When the lid is closed and the control dial pulled out, the washer will continue the cycle at the point it was interrupted.

# Controls at a Glance

## Step 1

### Select Water Level

Determine the selected setting based on clothes load size. The infinite control (select models) allows you to select a specific setting or anywhere in between.

It may become necessary, due to bulky fabrics, to adjust the water level after agitation begins. To adjust the water level, turn the control to **RESET** and then back to the desired setting.

#### WATER LEVEL SETTING      LOAD SIZE

Oversize	3/4 – Full
Large	1/2 – 3/4 Full
Medium	1/4 – 1/2 Full
Mini	1/4 Full

**REMEMBER:** Items must circulate freely for best results.

## Step 2

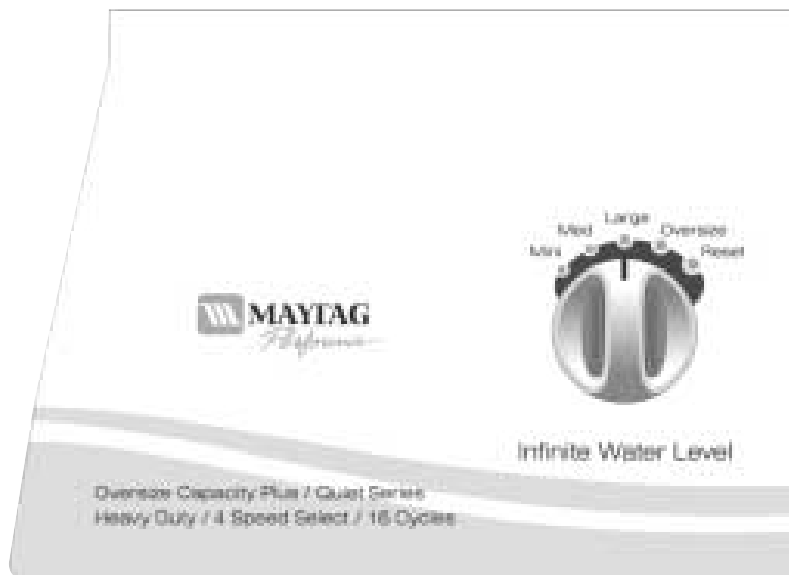
### Select Wash/Spin Speed

Your washer has selectable wash and spin speed combinations.

#### WASH/SPIN SPEEDS      LOAD TYPE

Regular/Fast	Sturdy fabrics needing maximum water extraction.
Regular/Slow (select models)	Sturdy fabrics needing a slower spin speed because of wrinkling.
Delicate/Fast	Heavy loads of delicate fabrics needing a fast spin for better water extraction.
Delicate/Slow	Delicate fabrics needing slower spin speed because of clothing construction.

**REMEMBER:** In wash water temperatures below 65° F, detergents do not dissolve well or clean well. Care labels define cold water as up to 85° F.



## Step 3

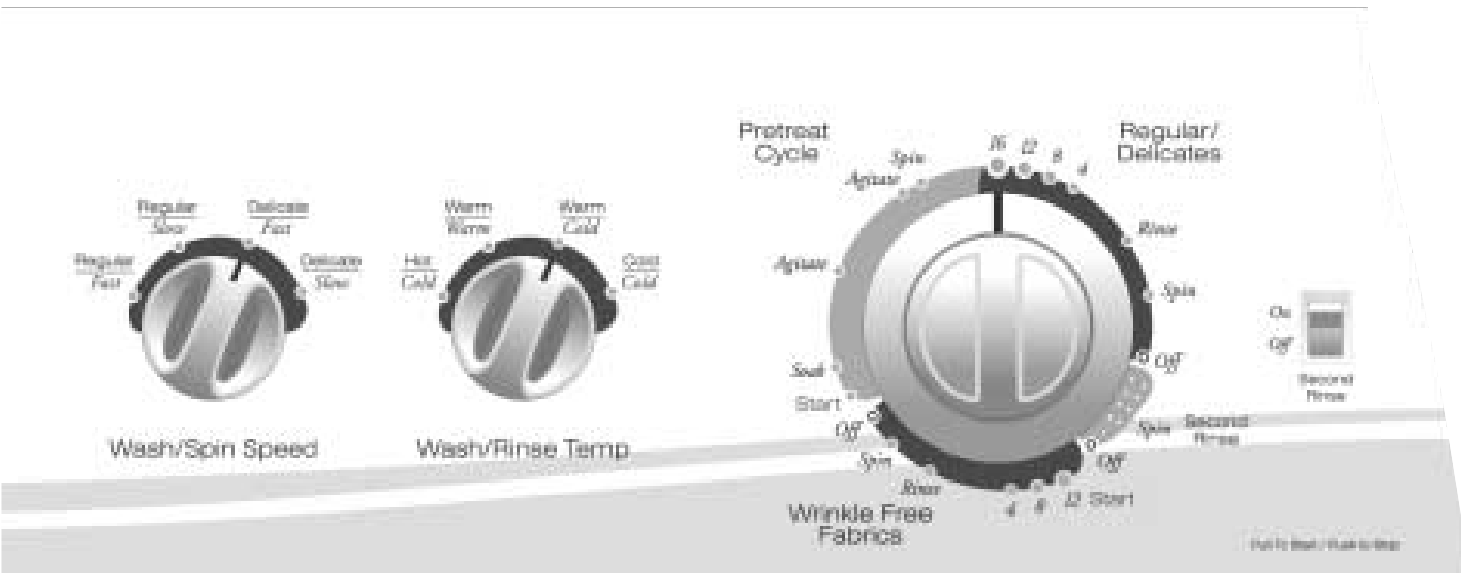
### Select Wash/Rinse Temperature

Your washer provides you with a choice of hot, warm or cold water for washing and cold or warm water for rinsing. Use the chart below as a guide.

#### WASH/RINSE TEMPS      LOAD TYPE

Hot/Cold	White and heavily soiled, color-fast items
Warm/Warm	Delicate items
Warm/Cold	Moderately soiled, colored items; most wrinkle free items
Cold/Cold	Brightly colored, lightly soiled items; washable woolsens

See *Laundering tips* for proper washing procedure, stain removal and special laundering situations.



Control panel features vary by model.

## Step 4 Select Cycle

To select a cycle, push the control dial IN and turn it to the right (clockwise) until the pointer is at the number of minutes desired for the wash load.

### Regular/Delicates Cycles

Regular/Delicates cycles share the same portion of the control dial. For regular fabrics, select the cycle and turn the Wash/Spin Speed dial to Regular/Fast. For delicate loads select Delicate/Slow.

### Wrinkle Free Fabrics Cycle

This cycle provides up to 12 minutes of agitation. Depending on the load, select either the Delicate/Fast or Regular/Slow wash/spin speed.

### Pretreat Cycle

Pretreat provides approximately 30 minutes of agitation and soaking to help remove stubborn dirt and stains. For more information see page 5.

## Step 5 (if desired) Select Second or Extra Rinse

This feature is located on the right side of the control panel. When the switch is in the "On" position, an additional rinse at the end of the Regular/Delicates cycle is provided to more completely remove laundry additives, suds, perfumes, etc.

## Step 6 Pull Control Dial Out to Start

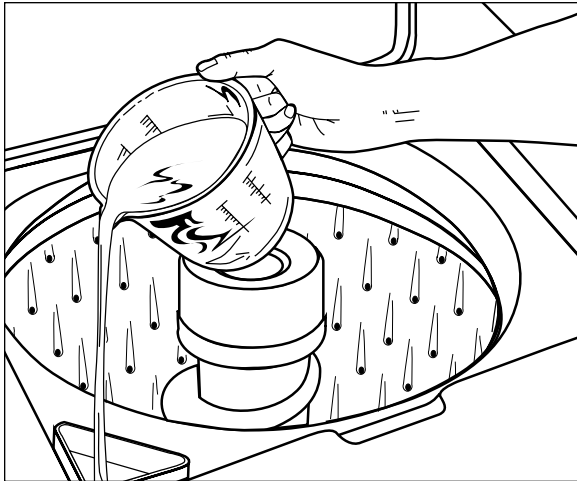
You may stop the washer at any time by simply pushing the control dial IN. Therefore it is possible to obtain a non-agitated soak or to shorten, skip or repeat any part of a cycle. The control dial must be pushed IN (off position) when you change the setting.

**Note: Do not attempt to turn the control dial counterclockwise. Damage to the timer will result.**

# Special Features

## 1. Liquid Bleach Dispenser

The dispenser automatically dilutes liquid chlorine bleach before it reaches your wash load. To use, follow these steps:



**Pour liquid chlorine bleach into bleach dispenser.**

1. Measure liquid chlorine bleach carefully, following the instructions on the bottle.
2. Add the bleach to the dispenser before adding the load. Avoid splashing or over-filling the dispenser.

### NOTE:

- Never pour undiluted liquid chlorine bleach directly onto the load or into the wash tub. It is a powerful chemical and can cause fabric damage, such as tearing or color loss, if not used properly.
- If you prefer to use color-safe, non-chlorine bleach, pour it into the wash tub with your detergent. Do not pour non-chlorine, color-safe bleaches into the bleach dispenser.

## 2. Liquid Dispenser

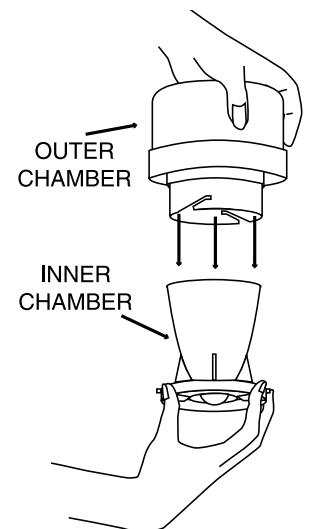
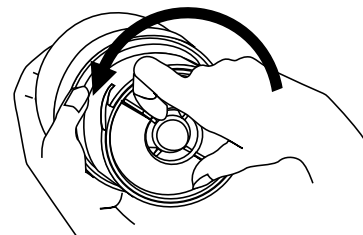
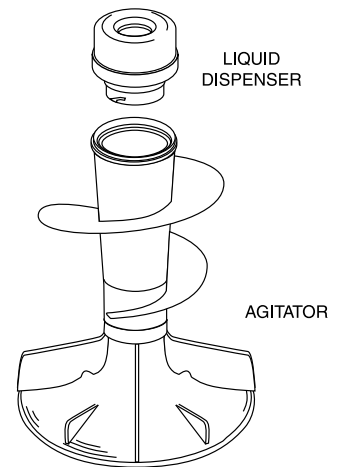
The dispenser may be used for fabric softener with most cycles or liquid detergent with the Pretreat cycle. The liquid dispenser should be cleaned before and after each use of liquid detergent. The dispenser automatically releases the liquid at the proper time during the cycle. To use, follow these steps:

1. Pour a measured amount of desired liquid into dispenser top to fill line only.

2. If liquid comes below line, add warm water.

If it is necessary to clean the dispenser, pull the liquid dispenser off of the agitator. Then hold the dispenser with bottom side up and twist to disengage dispenser bottom from top (see below). You are then able to clean both parts using warm water and a brush if necessary.

To reassemble, hold both pieces in an upright position. Insert the inner chamber into the outer chamber using the slots to position parts. Rotate until tabs snap into locking position.



## 3. Pretreat Cycle

The Pretreat Cycle offers the ability to wash the clothes twice with fresh detergent in each wash. When laundry is first added to the tub to use the pretreat cycle, granular or liquid detergent is placed in the tub. In order for there to be fresh detergent for the second wash, only liquid detergent may be placed in the liquid dispenser. This detergent will be mixed with clean water for the second wash which is 16 minutes of agitation.

---

## 4. Automatic Lint Filtering System

*The Lint Filtering System does not require cleaning.*

Wash and rinse water is filtered and re-filtered continuously to trap lint shed by most fabrics during the agitation cycle before it can be re-deposited on the wash load. The engineered hole design on the wash basket in conjunction with water flow produced by the agitator, traps lint away from the clothes between the inner wash basket and the outer tub. Lint is automatically flushed from the washer during the spin cycle.

## 5. Safety Spin

If for any reason you open the washer lid when the washer is in a spin or extract period, the operation will immediately stop. This is for your personal safety. If your washer does not stop, call your service technician immediately. When the lid is closed, the operation will automatically resume.

## 6. Unbalanced Spin Load Compensator

Your new washer is designed to handle out-of-balance loads without shutting down or interrupting the washing cycle.

For this reason, the cycle will always be completed. If heavier fabrics in such out-of-balance loads should ever contain excessive moisture at the completion of the cycle, redistribute the clothes in the washer and reset the control dial for the final spin period.

## 7. Overload Protector

A built-in protector automatically shuts off the washer motor in case of an overload. This can occur if:

- The load being washed is too heavy.
- Too many appliances are plugged into the line operating your washer.
- A low voltage condition exists on the line.
- Lid is opened and closed repeatedly.

The overload protector permits the washer to start again when the motor has cooled to a safe operating temperature.

If the motor stops repeatedly, call your service technician.

---

# Care & Cleaning

---

1. After washing, leave the lid open until the interior is dry.
2. Check hoses to be sure there are no kinks or knots.
3. Your washer should not be installed where temperatures will go below freezing, as damage to the washer could result.
4. Occasionally wipe exterior with a clean damp sponge or cloth. Polish with a soft dry cloth. If desired, occasionally polish, being careful not to use polish on plastic parts.
5. Lifetime lubrication is done at the factory, so your washer never needs to be oiled or greased.
6. Do not lay heavy or sharp objects on top of your washer.
7. The top of the washer should not be used for removing stains from garments. Some stain removers, such as rust remover, will mar the finish.
8. Remove pins, buckles or other sharp objects from clothes to prevent scratching interior parts.
9. Clothes should not be stored in washer.
10. Bleach, detergent, solvents, etc. spilled on the top of your washer that are allowed to remain will remove the glossy finish. Remove all spills with a damp, soft cloth.
11. If you close your home for the winter, have a service technician drain the washer. Unplug cord from electrical outlet and disconnect hoses from faucets.

# Before You Call

## Check the following if your clothes washer...

### Won't Drain:

- Is the hose kinked or knotted?
- Is the drain outlet clogged?

### Does Not Fill:

- Is the electrical cord plugged in correctly?
- Has a fuse blown or is the circuit breaker tripped?
- Is the control dial pulled out?
- Are the hot and cold water faucets turned on?
- Are the hoses kinked or knotted?
- Is the control dial set properly (not in the off position)?
- Turn off, let stand for 30 minutes then restart. Motor thermal protector may have engaged.
- Hose filter screens may be plugged. Disconnect hoses and clean screens.

### Water Temperature Is Incorrect:

- Is the temperature switch set correctly?
- Are the hoses connected to the correct faucets (hot to hot, cold to cold)?
- Are the hot and cold faucets turned on?
- Is water heater set correctly?

### Is Noisy:

- Is the washer level and firm to the floor?

### Does Not Spin:

- Is the lid closed?
- Is the electrical cord plugged in correctly?
- Has a fuse blown or is the circuit breaker tripped?

### Is Leaking:

- Are the hose connections tight at the faucets?
- Is end of drain hose correctly inserted in and secured to drain facility?

*For further assistance contact Maytag Appliances Sales Company, Maytag Customer Assistance:  
U.S. 1-800-688-9900 or Canada 1-800-688-2002*

*U.S. customers using TTY for deaf, hearing impaired or speech impaired, call 1-800-688-2080.*



# **Performa** by Maytag

## **Clothes Washer Warranty**

### **FULL ONE-YEAR WARRANTY**

Any part which fails in normal home use during the first year after the date of original retail purchase will be repaired or replaced free of charge.

### **LIMITED WARRANTY**

After the first year from the date of original retail purchase, through the time periods listed below, the designated parts which fail in normal home use will be repaired or provided free of charge for the part itself, with the owner paying all other costs, including labor, mileage and transportation.

#### **Second Year through Tenth Year**

All parts of the transmission assembly

#### **Second Year through Lifetime**

The inner wash basket

The full warranty and the limited warranty apply when the appliance is located in the United States or Canada. Appliances located elsewhere are covered by the limited warranty only, including parts that fail during the first year.

This warranty gives you specific legal rights, and you may also have other rights that vary from state to state.

### **TO OBTAIN WARRANTY SERVICE**

To locate an authorized service company in your area contact the Maytag dealer from whom your appliance was purchased; or call Maytag Appliances Sales Company, Maytag Customer Assistance. Should you not receive satisfactory warranty service, please call or write:

Maytag Appliances Sales Company  
Attn: CAIR® Center  
P.O. Box 2370  
Cleveland, TN 37320-2370

**U.S. 1-800-688-9900**

**Canada 1-800-688-2002**

**U.S. Customers using TTY for deaf, hearing impaired or speech impaired, call 1-800-688-2080.**

When contacting Maytag Appliances Sales Company, Maytag Customer Assistance about a service problem, please include the following:

- (a) Your name, address and telephone number;
- (b) Model number and serial number (found on the back center of the control panel) of your appliance;
- (c) Name and address of your dealer and the date the appliance was purchased;
- (d) A clear description of the problem you are having.
- (e) Proof of purchase.

### **What is not covered by these warranties:**

1. Conditions and damages resulting from any of the following:
  - a. Improper installation, delivery, or maintenance.
  - b. Any repair, modification, alteration or adjustment not authorized by the manufacturer or an authorized servicer.
  - c. Misuse, abuse, accidents or unreasonable use.
  - d. Incorrect electric current, voltage or supply.
  - e. Improper setting of any control.
2. Warranties are void if the original serial numbers have been removed, altered, or cannot be readily determined.
3. Products purchased for commercial or industrial use.
4. The cost of service or service call to:
  - a. Correct installation errors.
  - b. Instruct the user on proper use of the product.
  - c. Transport the appliance to the servicer.
5. Consequential or incidental damages sustained by any person as a result of any breach of these warranties.

Some states do not allow the exclusion or limitation of consequential or incidental damages, so the above exclusion may not apply.

User's Guides, service manuals and parts catalogs are available from Maytag Appliances Sales Company, Maytag Customer Assistance.



MAYTAG • 403 W. 4<sup>th</sup> Street N. • P.O. Box 39 • Newton, Iowa 50208

**MAYTAG ONLINE** <http://www.maytag.com>

Download from [Www.Somanuals.com](http://www.Somanuals.com). All Manuals Search And Download.



# GUIDE DE L'UTILISATEUR

Toutes nos félicitations pour avoir choisi une machine à laver Maytag Performa™ ! Il est très important pour nous que vous en soyez satisfait.

**Pour de meilleurs résultats, nous vous conseillons de lire ce manuel.** Vous y trouverez des renseignements qui vous aideront à comprendre les procédures de fonctionnement et d'entretien de la machine.

De plus, vous trouverez ci-joint un *Guide de blanchissage*. Il renferme des renseignements supplémentaires sur les techniques de lavage, l'enlèvement des taches et les situations particulières.

**Épargnez temps et argent.** En cas de problème, nous vous suggérons de consulter la section "Avant d'appeler". Elle a été rédigée pour vous aider à trouver une solution aux problèmes mineurs avant d'appeler un technicien.

Si vous avez des questions, veuillez nous écrire (en incluant le numéro de modèle de votre machine et votre numéro de téléphone) ou appelez-nous :

Maytag Appliances Sales Company  
Attn: CAIR® Center  
P.O. Box 2370  
Cleveland, TN 37320 États-Unis  
1-800-688-2002 CANADA  
(Du lundi au vendredi, 8 h à 8 h, heure de l'est)  
Internet : <http://www.maytag.com>

## Table des matières

Mesures de sécurité .....	11
Fonctionnement.....	12
Commandes en un coup d'oeil ...	13, 14
Caractéristiques spéciales.....	15, 16
Nettoyage et entretien .....	16
Avant d'appeler .....	17
Garantie .....	18
Guía del usuario .....	20

# Mesures de sécurité importantes



**MISE EN GARDE :** Pour réduire les risques d'incendie, d'explosion, d'électrocution ou des blessures lors de l'utilisation de cet appareil, suivre les précautions d'usage, dont les suivantes :

1. Lire attentivement toutes les instructions avant d'utiliser la machine. Conserver les instructions pour référence ultérieure.
2. Bien installer conformément aux instructions d'installation. Mettre à la terre de façon adéquate - voir les instructions d'installation.  
En cas d'électrocution, couper le courant. Ne pas faire fonctionner tant qu'un technicien qualifié ne l'a pas réparé.  
Ne pas installer ou entreposer dans un endroit où elle est exposée aux intempéries et lorsque la température est inférieure au point de congélation.  
Raccorder à un circuit d'alimentation dont la puissance nominale, la protection et le calibre sont adéquats. Voir la section « Normes électriques ».  
Raccorder à une canalisation sanitaire et une tuyauterie adéquates.  
Faire appel à un technicien qualifié pour l'installation de la machine à laver.
3. Pour éviter les blessures aux enfants :  
Ne pas laisser les enfants jouer sur, dans ou avec la machine. Une surveillance constante est nécessaire quand la machine est utilisée en présence d'enfants.  
Lorsque les enfants sont assez matures, leur expliquer la méthode correcte et sécuritaire d'utilisation de la machine à laver.  
Garder tous les produits pour la lessive hors de portée des enfants, préférablement dans une armoire verrouillée. Suivre toutes les mises en garde du fabricant sur les étiquettes des produits pour la lessive.  
Détruire l'emballage en carton et les sacs en plastique après avoir déballé la machine à laver. Les emballages recouverts de tapis, de dessus de lit ou de plastique peuvent créer une source de ventilation inadéquate.  
Retirer la porte du compartiment de la machine à laver avant de la mettre hors service ou de la faire réparer.
4. Ne pas mettre la main ou le bras dans la machine si la cuve ou l'agitateur est en mouvement. La machine est équipée d'un commutateur de sûreté pour votre protection. Si la machine est toujours en marche lorsque le couvercle est ouvert durant le cycle d'essorage, couper le courant. Ne pas faire fonctionner la machine avant qu'elle n'ait été réparée par un technicien qualifié.
5. Ne pas modifier les mécanismes de commande.
6. Pour éviter les risques de blessures ou de dommages à la machine, ne pas réparer ou remplacer une pièce de la machine ou procéder à un dépannage. Les réparations doivent être effectuées par un technicien qualifié.
7. Ne pas laver d'articles en fibre de verre sauf si le fabricant le recommande.
8. Tissus à l'épreuve du feu - un nettoyage inadéquat peut faire disparaître la substance protectrice. Suivre les instructions du fabricant du vêtement.
9. Lors d'un déménagement, faire inspecter et installer correctement la machine par un technicien qualifié.
10. Les tuyaux d'alimentation se détériorent progressivement. Inspecter les tuyaux à intervalle régulier; rechercher dilata-tions, écrasements, coupures, fuites et indices d'usure. Remplacer les tuyaux après 5 ans de service.
11. Ne pas permettre aux animaux familiers de se tenir sur l'appareil à l'intérieur ou en face de celui-ci.

## **ATTENTION ! RISQUE D'INCENDIE**

Ne pas ajouter d'essence, de solvants de nettoyage à sec ou toute autre substance inflammable ou explosive à l'eau de lavage. Ces substances produisent des vapeurs qui pourraient s'enflammer ou exploser.

Ne pas laver d'articles qui ont auparavant été nettoyés, lavés, trempés ou détachés à l'aide d'essence, de solvants de nettoyage à sec, d'huiles, de cires, de solvants chimiques, d'alcool, de térébenthine ou d'autres produits explosifs ou inflammables. Ces substances resteront incrustées dans les articles, et ceux-ci produisent des vapeurs qui peuvent s'enflammer ou exploser.

Suivre ces précautions lors de l'utilisation de produits nettoyeurs liquides, de détachants, etc. Ces produits doivent porter la mention « inflammable ». Utiliser conformément aux directives du fabricant dans un endroit bien aéré ou à l'extérieur. Rincer à fond les articles à la main avant de les mettre dans la sècheuse. Certains produits - ceux qui enlèvent la rouille par exemple - peuvent endommager les pièces et la finition de la machine à laver.

Éviter toute accumulation de matériaux combustibles, tels que la ouate, le papier, les chiffons, l'essence et autres vapeurs et liquides inflammables, sous la machine à laver et autour de celle-ci.

**L'HYDROGÈNE EST UN GAZ EXPLOSIF!** Dans certaines conditions, il peut y avoir production d'hydrogène dans un système de chauffage d'eau qui n'est pas utilisé pendant 2 semaines ou davantage. Si le système de chauffage d'eau n'a pas été utilisé pendant une telle durée, ouvrir tous les robinets d'eau chaude et laisser couler l'eau pendant plusieurs minutes avant d'utiliser la machine à laver. Ceci élimine toute accumulation d'hydrogène. Ce gaz étant inflammable, ne pas fumer ni utiliser de flamme vive pendant cette procédure.

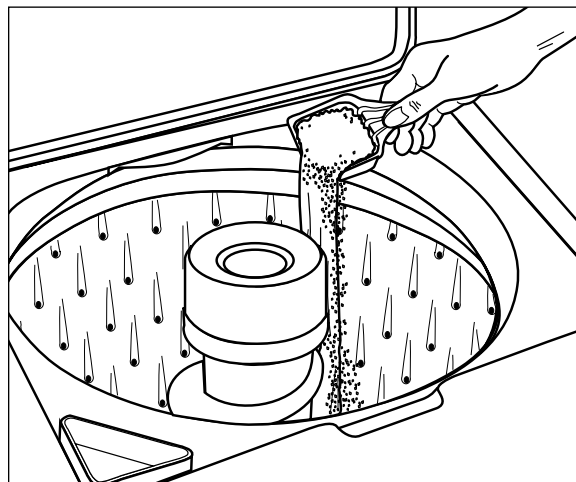
Des études récentes ont démontré que si les substances contaminées d'huile végétale ne sont pas complètement nettoyées, une accumulation d'huile peut provoquer une réaction chimique (combustion spontanée) qui pourrait causer un incendie. Cela risque davantage de survenir lorsque les vêtements sont laissés dans la sècheuse après que le tambour ait cessé de tourner ou que les articles sont pliés et empilés avant que la chaleur ne se soit dissipée.

# Fonctionnement

Pour de plus amples renseignements concernant le triage, le pré-traitement des taches, etc., consulter le Guide de blanchissage ci-joint.

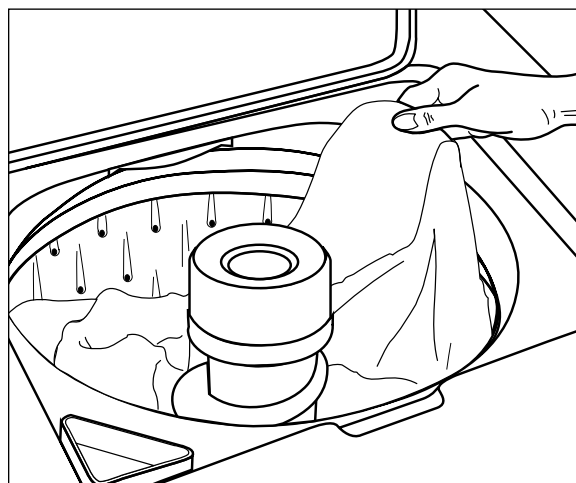
## Détergent

- Utiliser du détergent liquide ou en poudre. **Pour des résultats optimums, ajouter suffisamment de détergent dans la machine AVANT de la remplir et régler la température de l'eau à plus de 18° C (65° F).**
- Utiliser la quantité de détergent qui convient à la charge, au degré de saleté et à la dureté de l'eau. Utiliser plus de détergent si l'eau est dure et que la charge est très sale.  
Si l'eau est douce ou que la charge est peu sale, utiliser moins de détergent. (Voir les instructions du fabricant.)
- Essuyer la machine si elle se trouve éclaboussée de détergent.



## Chargement

- Mettre le linge sec, non plié sans le tasser dans la machine, en remplissant le panier jusqu'au rang supérieur de trous pour une charge maximum.
- Ne pas enrouler de grands articles tels que des draps autour de l'agitateur.
- Pour une meilleure circulation, mélanger les petits et les grands articles. Laver les articles volumineux comme les couvertures séparément.
- Le blanchissage des articles infroissables ou délicats, des lainages lavables ou des tricotés, nécessite une quantité d'eau supérieure au niveau MEDIUM (moyen). Cela empêche les vêtements de rétrécir, de se froisser ou de se découdre.



## Conseils supplémentaires

- La machine effectue des pauses à plusieurs reprises au cours d'un cycle de lavage. Ces pauses momentanées font partie de son fonctionnement normal.
- Cette machine est conçue de telle façon que tout essorage ou agitation s'arrête quand le couvercle est soulevé. Elle ne s'arrête cependant pas pendant le remplissage, permettant de prétraiter les taches ou de diluer l'assouplissant.
- Si le couvercle est soulevé pendant le cycle, la machine s'arrête. Fermer le couvercle et tirer sur le sélecteur pour qu'elle reprenne le cycle là où il a été interrompu.

# Commandes en un coup d'oeil

## Étape 1

### Sélection du niveau d'eau

Régler le sélecteur sur le réglage correspondant à la grosseur de la charge. Cette commande permet de sélectionner un réglage spécifique ou tout autre réglage intermédiaire (modèles sélectionnés).

Il peut s'avérer nécessaire, en raison de l'épaisseur de certains tissus, de régler le niveau d'eau après le début de l'agitation. Pour régler le niveau d'eau, placer le sélecteur sur la position RESET (nouveau réglage), puis le positionner en face de la quantité d'eau désirée.

RÉGLAGE DU NIVEAU D'EAU	GROSSEUR DE LA CHARGE
Oversized Grande	3/4 – plein
Large Gros	1/2 – 3/4 plein
Medium Moyen	1/4 – 1/2 plein
Mini Petit	1/4 plein

REMARQUE : Pour des résultats optimaux, le linge doit circuler librement.

## Étape 2

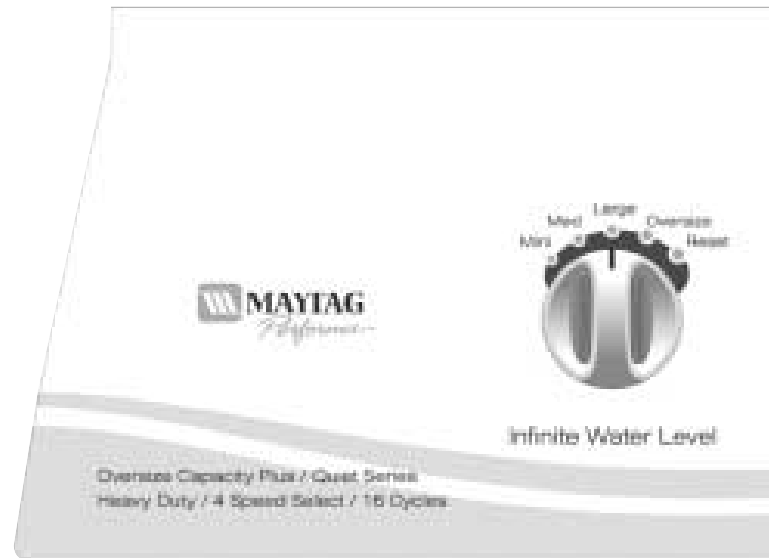
### Sélectionner le cycle de lavage/d'essorage

La machine est programmée pour effectuer quatre combinaisons de vitesse de lavage et d'essorage.

#### VITESSES DE LAVAGE/D'ESSORAGE TYPE DE LINGE

Regular/Fast Normale/Rapide	Tissus résistants nécessitant une extraction maximum d'eau.
Regular/Slow Normale/Lente (Modèles Sélectionnés)	Tissus solides nécessitant une vitesse d'essorage plus lente pour éviter qu'ils se froissent.
Delicate/Fast Délicate/Rapide	Charges lourdes de tissus délicats nécessitant un essorage rapide pour une meilleure extraction d'eau.
Delicate/Slow Délicate/Lente	Tissus fragiles, couvertures ou draps nécessitant une attention particulière.

REMARQUE : À moins de 18° C (65° F), l'eau est trop froide pour dissoudre les détergents en poudre et les activer. Les étiquettes d'entretien considèrent l'eau froide jusqu'à 29° C (85° F).



## Étape 3

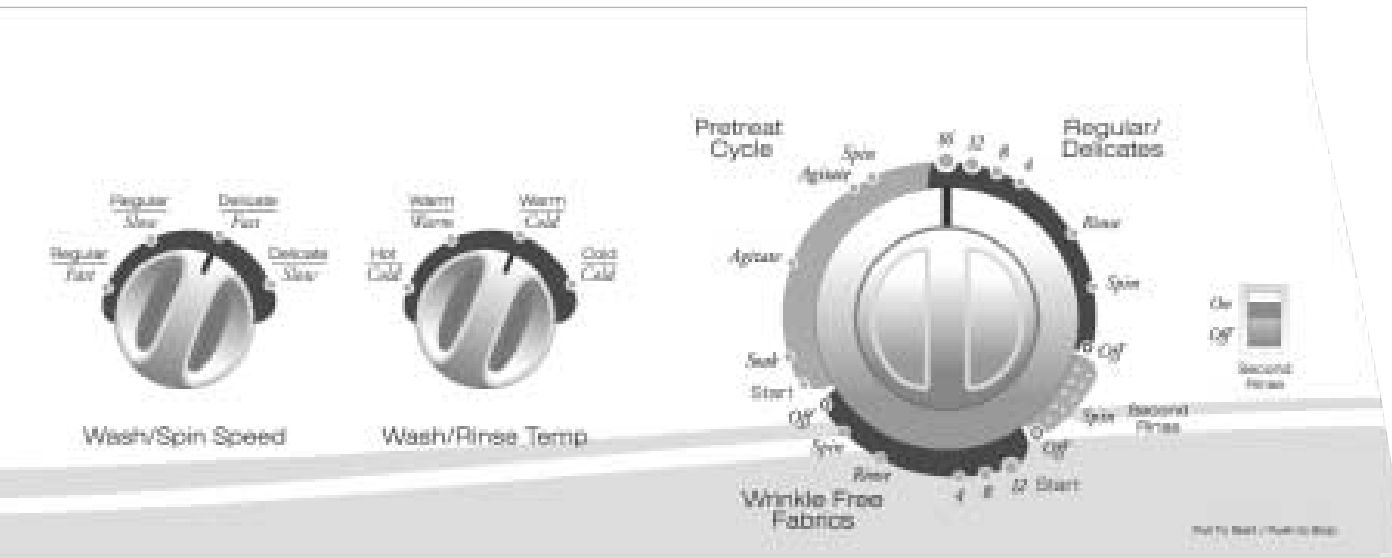
### Sélection de la température de lavage/rinçage de l'eau

La température de lavage de l'eau peut être chaude, tiède ou froide, tandis que la température de rinçage de l'eau peut être tiède ou froide. Le tableau présenté ci-dessous sert de guide.

#### TEMPÉRATURE LAVAGE/RINÇAGE TYPE DE CHARGE

Hot/Cold Chaude/Froide	Blanc très sale et couleurs bon teint
Warm/Warm Tiède/Tiède	Articles fragiles
Warm/Cold Tiède/Froide	Linge modérément sale, articles de couleur ; la plupart des articles à pli permanent
Cold/Cold Froide/Froide	Articles aux couleurs vives, peu sales ; lainages lavables

Consulter le Guide de blanchissage pour connaître les procédures de nettoyage, de détachage et les situations particulières de blanchissage.



Cycles et options modal varier par modèles.

## Étape 4

### Sélection du cycle

Pour sélectionner un cycle, pousser sur le sélecteur et le tourner vers la droite (dans le sens des aiguilles d'une montre) jusqu'à ce que la flèche soit vis-à-vis la durée de lavage (en minutes) désirée.

#### Cycles Regular/Delicates (pour tissus ordinaires/fragiles)

Les cycles pour tissus ordinaires/délicate partagent la même portion du sélecteur. Pour les tissus ordinaires, sélectionner le cycle et tourner le sélecteur de vitesse « Wash/Spin » (lavage/essorage) à « Regular/Fast » (normale/rapide). Pour les tissus délicate, sélectionner « Delicate/Slow » (délicate/lente).

#### Cycle Wrinkle Free Fabrics (pour tissus à pli permanent)

Ce cycle procure jusqu'à 12 minutes. Selon la charge, placer le sélecteur de vitesse « Wash/Spin » (lavage/essorage) à « Delicate/Fast » (délicate/rapide) OU « Regular/Slow » (normale/lente).

#### Cycle Pretreat (prétraitement)

Le cycle prétraitement environ 30 minutes d'agitation et de trempage pour enlever la saleté et les taches rebelles. Pour plus de détails, veuillez vous référer à la page 15.

## Étape 5 (au choix)

### Sélection deuxième rinçage ou rinçage supplémentaire

Ce dispositif se trouve sur le côté droit du tableau de commande. Lorsque le commutateur est à la position « On » (marche), un rinçage supplémentaire suit le cycle tissus ordinaires/délicate pour enlever complètement les additifs des détergents à lessive, la mousse de savon, les parfums, etc.

## Étape 6

### Tirer le sélecteur pour mettre en marche

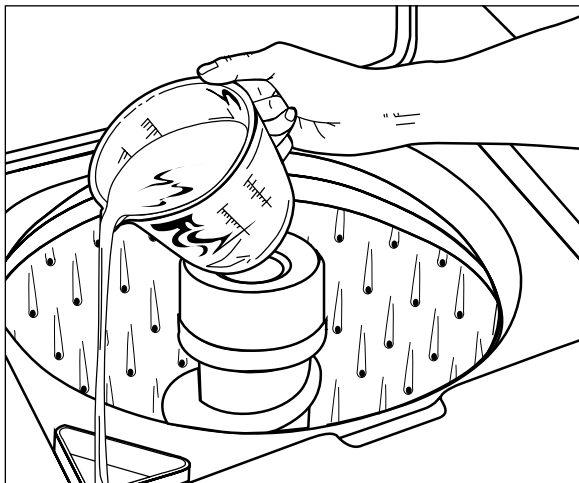
La machine peut être arrêtée à tout moment en poussant sur le sélecteur. Il est alors possible d'obtenir un trempage sans agitation ou de raccourcir, sauter ou répéter toute partie d'un cycle. Le sélecteur doit être enfoncé (position « off ») lorsque le réglage est modifié.

**Remarque : ne pas tourner le sélecteur dans le sens contraire des aiguilles d'une montre car la minuterie pourrait se trouver endommagée.**

# Caractéristiques spéciales

## 1. Distributeur de javellisant liquide

Le distributeur dilue automatiquement le javellisant liquide avant qu'il atteigne le linge. Pour l'utiliser, procéder comme suit :



**Verser le javellisant liquide dans le distributeur de javellisant.**

1. Mesurer la quantité de javellisant liquide avec soin en suivant les instructions sur le récipient.
2. Verser le javellisant dans le distributeur avant d'ajouter le linge. Éviter les éclaboussures ou le débordement du distributeur.

### REMARQUE :

- Ne jamais verser de javellisant liquide non dilué directement sur le linge ou dans la cuve. Ce produit chimique est puissant et peut endommager les tissus, en les déchirant ou décolorant, s'il n'est utilisé correctement.
- Lorsqu'un javellisant sans chlore et sans danger pour les couleurs est utilisé, le verser dans la cuve avec le détergent. Ne pas verser de javellisant sans chlore dans le distributeur de javellisant.

## 2. Distributeur de liquide

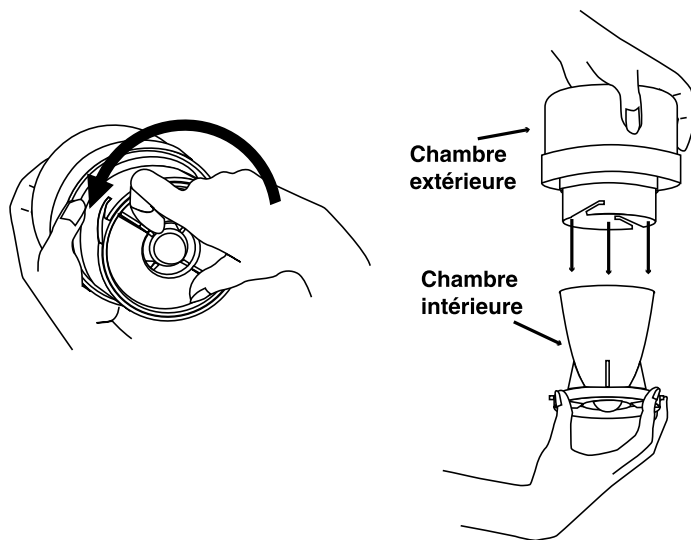
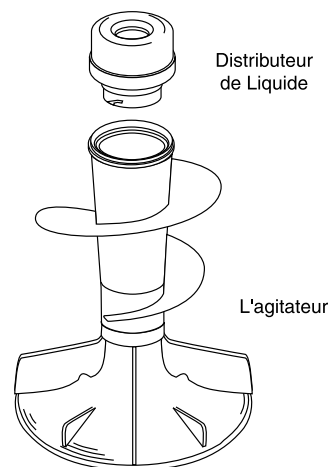
Le distributeur de liquide peut être utilisé pour l'assouplisseur de tissus avec la plupart des cycles ou pour le détergent liquide avec le cycle Pretreat. Le distributeur de liquide doit être nettoyé avant et après chaque utilisation de détergent liquide. Le distributeur dilue automatiquement le liquide au moment opportun durant le cycle. Pour l'utiliser, procéder comme suit :

1. Verser la quantité voulue de liquid dans le godet, jusqu'au repère de remplissage seulement.

2. Si le liquide n'atteint pas le repère, ajouter de l'eau tiède.

S'il devient nécessaire de nettoyer le godet à liquide, le retirer de l'agitateur. Tenir le godet sens dessus dessous et tordre pour dégager le fond (voir ci-dessous). Il est alors possible de nettoyer les deux composants à l'aide d'eau tiède, et d'une brosse s'il y a lieu.

Pour remonter le distributeur, tenir les deux composants droits. Insérer la chambre intérieure dans la chambre extérieure en positionnant les composants l'un par rapport à l'autre à l'aide des fentes. Tourner jusqu'à ce que les languettes s'enclenchent en position de verrouillage.



## 3. Cycle Prétraitement

Le cycle prétraitement permet de laver les vêtements deux fois avec du détergent frais à chacun des lavages. Pour utiliser ce cycle, ajouter le détergent liquide ou en granules dans la cuve après y avoir placé le linge. Afin qu'il y ait du détergent frais pour le deuxième lavage, seul le détergent liquide peut être versé dans le distributeur de détergent liquide. Ce détergent sera mélangé à l'eau propre pour le deuxième lavage dont l'agitation dure 16 minutes.



## 4. Filtre à charpie autonettoyant

*Le filtre à charpie autonettoyant ne nécessite aucun entretien.*

L'eau de lavage et de rinçage est filtrée et refiltrée continuellement pour retenir la charpie laissée par la plupart des tissus durant le cycle d'agitation avant d'être déposée de nouveau sur le linge. La conception des trous percés dans la cuve de lavage et le débit d'eau produit par l'agitateur permettent conjointement de retenir la charpie entre la cuve intérieure de lavage et la cuve extérieure. La charpie est automatiquement évacuée de la machine pendant le cycle d'essorage.

## 5. Essorage sécuritaire

Si pour une raison quelconque le couvercle de la machine à laver est ouvert pendant le cycle d'essorage ou la période d'extraction, l'essorage sera interrompu immédiatement pour votre sécurité. Si la machine ne s'arrête pas, appeler immédiatement un technicien. Lorsque le couvercle est refermé, l'essorage se poursuit automatiquement.

## 6. Compensateur de charge déséquilibrée pendant l'essorage

Cette machine à laver est conçue pour contenir des charges déséquilibrées sans s'arrêter ou interrompre le cycle de lavage.

Pour cette raison, le cycle sera toujours complété. Si des tissus plus épais contenus dans les charges déséquilibrées refferment un surplus d'humidité à la fin du cycle, redistribuer le linge dans la machine et régler de nouveau le sélecteur pour terminer l'essorage.

## 7. Dispositif de protection contre les surcharges

Un dispositif de protection intégré arrête automatiquement le moteur de la machine en cas de surcharge. Cela peut se produire dans l'un des cas suivants :

- Charge trop lourde dans la machine à laver.
- Surplus d'appareils ménagers branchés dans la ligne de la machine à laver.
- Faible tension sur la ligne.
- Couvercle ouvert et fermé à répétition.

Le dispositif de protection contre les surcharges permet de remettre en marche la machine lorsque le moteur a refroidi à une température de fonctionnement sécuritaire.

Si le moteur s'arrête souvent, appeler le technicien.

# Nettoyage et entretien

1. Après le lavage, laisser le couvercle ouvert jusqu'à ce que l'intérieur soit sec.
2. Vérifier les boyaux pour s'assurer qu'il n'y a pas de noeuds ou d'entortillements.
3. La machine ne doit pas être installée où la température descend sous le point de congélation car cela pourrait endommager la machine.
4. Essuyer de temps à autre l'extérieur de la machine avec une éponge ou un linge propre et humide. Si nécessaire, polir occasionnellement en prenant soin de ne pas polir les parties en plastique.
5. Une lubrification à vie est effectuée à l'usine ; la machine ne nécessite donc aucune huile ou graisse.
6. Ne pas déposer d'articles lourds ou tranchants sur le dessus de la machine à laver.
7. Le dessus de la machine à laver ne doit pas être utilisé pour détacher les vêtements. Certains détachants, pour la rouille, entre autres, abîmeront le fini.
8. Enlever les épingles, les ceintures et autres objets tranchants des vêtements afin de prévenir les égratignures sur les parties intérieures.
9. Les vêtements ne doivent pas être rangés dans la machine à laver.
10. Les javellisants, détergents, solvants et autres produits qui sont renversés sur le dessus de la machine et y demeurent ternissent le fini. Enlever toutes les éclaboussures avec un linge doux et propre.
11. Si vous fermez votre maison durant l'hiver, demandez à un technicien de vider l'eau de la machine. Débrancher le cordon d'alimentation de la prise de courant et les boyaux des robinets.

# Avant d'appeler

## Vérifier ces points si la machine à laver...

### Ne s'écoule pas :

- Le boyau est-il entortillé ou noué ?
- La sortie du tuyau d'écoulement est-elle bouchée ?

### Ne se remplit pas :

- La machine est-elle bien branchée ?
- Un fusible a-t-il sauté ou le disjoncteur est-il bien enclenché ?
- A-t-on bien tiré le sélecteur ?
- Les robinets d'eau chaude et d'eau froide sont-ils ouverts à fond ?
- Les boyaux sont-ils entortillés ou noués ?
- Le sélecteur est-il bien réglé (et non en position « off ») ?
- Arrêter la machine, puis la remettre en marche 30 minutes plus tard. Il est possible que l'interrupteur thermique du moteur ait été enclenché.
- Les filtres des boyaux sont peut-être bouchés. Débrancher les boyaux et nettoyer les filtres.

### Présente une température d'eau incorrecte :

- Le sélecteur de température est-il réglé correctement ?
- Les boyaux sont-ils raccordés aux robinets voulus (chaud à chaud, froid à froid) ?
- Les robinets d'eau chaude et d'eau froide sont-ils ouverts ?
- Le chauffe-eau est-il réglé correctement ?

### Est bruyante :

- La machine est-elle de niveau et stable ?

### N'essore pas :

- Le couvercle est-il bien fermé ?
- La cordon d'alimentation est-il bien branché ?
- Un fusible a-t-il sauté ou le disjoncteur est-il bien enclenché ?

### Fuit :

- Les raccords des boyaux sont-ils bien serrés aux robinets ?
- L'extrémité du boyau d'évacuation est-elle insérée correctement et bien fixée sur le système d'évacuation ?

*Pour toute assistance technique, communiquer avec Maytag Appliances Sales Company,  
Service-clients Maytag : au Canada : 1-800-688-2002*

# Performa de Maytag

## Garantie de la machine à laver

### GARANTIE TOTALE D'UN AN

Pendant un (1) an à partir de la date de l'achat d'origine, toute pièce qui vient à être défectueuse dans des conditions normales d'utilisation ménagère sera réparée ou remplacée gratuitement.

### GARANTIE LIMITÉE

Après la première année suivant la date de l'achat d'origine et pendant les périodes de temps énumérées ci-dessous, les pièces indiquées ci-après qui viennent à être défectueuses dans des conditions normales d'utilisation ménagère seront réparées ou remplacées gratuitement en ce qui concerne la pièce elle-même, le client prenant à sa charge les autres frais, y compris les frais de main-d'oeuvre, de kilométrage et de transport.

#### De la deuxième à la dixième année

Toutes les pièces de la transmission

#### De la deuxième année à la fin de la vie

La cuve intérieure de lavage

Cette garantie totale et la garantie limitée s'appliquent quand l'appareil se trouve aux États-Unis ou au Canada. Si elle se trouve dans une autre partie du monde, elle n'est couverte que par la garantie limitée, y compris en ce qui concerne les pièces se révélant défectueuses au cours de la première année.

Cette garantie vous donne des droits légaux spécifiques et vous pouvez aussi jouir d'autres droits qui varient d'une province à l'autre.

### POUR OBTENIR LES PRESTATIONS DE GARANTIE

Pour localiser une entreprise de service après-vente agréée Maytag dans votre région, contacter le concessionnaire MAYTAG où la machine a été achetée ou appeler Maytag Appliances Sales Company le service-clients Maytag. Si les prestations de garantie obtenues ne vous donnent pas satisfaction, contacter ce service par courrier ou par téléphone:

Maytag Appliances Sales Company

Attn: CAIR® Center

P.O. Box 2370

Cleveland, TN 37320 États-Unis      Canada 1-800-688-2002

REMARQUE : Quand vous écrivez au sujet d'un problème non résolu, veuillez inclure les renseignements suivants :

- Vos nom, adresse et numéro de téléphone ;
- Les numéros de modèle et de série de votre machine (sur la plaque signalétique sur le bord supérieur couvercle du tableau de commandes) ;
- Les nom et adresse du concessionnaire ainsi que la date d'achat de l'appareil ;
- Une description claire du problème rencontré ;
- Date de la preuve d'achat (bon de caisse).

### Ne sont pas couverts par ces deux garanties:

- Les problèmes et dommages résultant des situations suivantes:
  - Installation, livraison ou entretien défectueux.
  - Toute réparation, modification, altération ou ajustement non autorisé par le fabricant ou un prestataire de service après-vente agréé.
  - Usage inapproprié, abusif, déraisonnable ou accidents.
  - Alimentation électrique ou tension incorrectes.
  - Réglage inapproprié de toute commande.
- Les garanties sont annulées si les numéros de série d'origine ont été enlevés, modifiés ou ne peuvent être déterminés facilement.
- Appareils achetés à des fins commerciales ou industrielles.
- Les frais de dépannage ou de visite pour:
  - Corriger des erreurs d'installation.
  - Enseigner au consommateur comment utiliser son appareil correctement.
  - Assurer le transport de l'appareil jusqu'à l'entreprise de service après-vente.
- Dommmages indirects ou accessoires supportés par toute personne à la suite d'une quelconque violation de garantie.

Certain états ne permettent pas l'exclusion ou la limitation de responsabilité en ce qui concerne les dommages indirects, et l'exclusion ci-dessus peut ne pas s'appliquer à votre cas.

Guide de l'utilisateur, manuels de dépannage et catalogues de pièces détachées sont disponibles auprès Maytag Appliances Sales Company, du service-clients Maytag.

## Garantía de la lavadora de ropa

### GARANTÍA TOTAL DE UN AÑO

Cualquier pieza que falle en el uso doméstico normal de la unidad durante el primer año después de la fecha de su compra original al menudeo, será reparada o reemplazada gratuitamente.

### GARANTÍA LIMITADA

Después del primer año a partir de la fecha de compra original al menudeo, o durante los períodos que se indican a continuación, las piezas designadas que fallen en el uso doméstico normal de la unidad serán reparadas o reemplazadas gratuitamente, y el propietario deberá pagar todos los demás cargos, inclusive mano de obra, millaje y transportación.

#### Desde el segundo hasta el décimo año

Todas las piezas del conjunto de transmisión

#### Desde el segundo año hasta toda la vida útil de la unidad

La canasta interna de lavado

La garantía total y la garantía limitada aplican cuando el electrodoméstico se encuentre en Estados Unidos o en Canadá. Los electrodomésticos que se encuentren en otro lugar solamente están cubiertos por la garantía limitada, inclusive las piezas que fallen durante el primer año.

Esta garantía le otorga derechos legales específicos, y usted puede tener otros derechos que varían entre estados.

### PARA OBTENER EL SERVICIO DE GARANTÍA

Para ubicar un centro de servicio autorizado en su área, comuníquese con el distribuidor Maytag con el cual compró el electrodoméstico; o llame al Departamento de Asistencia al Cliente de Maytag Appliances Sales Company. Si no recibe un servicio de garantía satisfactorio, por favor llame o escriba a:

Maytag Appliances Sales Company  
Attn: CAIR® Center  
P.O. Box 2370  
Cleveland, TN 37320-2370  
1-800-688-9900 EE.UU.

1-800-688-2002 CANADÁ

Cuando se comunique con el Departamento de Asistencia al Cliente de Maytag Appliances Sales Company con relación a un problema de servicio, por favor incluya la siguiente información:

- (a) Su nombre, domicilio y número de teléfono;
- (b) El número de modelo y el número de serie (se encuentran en la parte posterior central del panel de control) de su electrodoméstico;
- (c) El nombre y la dirección de su distribuidor y la fecha de compra del electrodoméstico;
- (d) Una descripción clara del problema que experimenta;
- (e) Un comprobante de compra.

### Estas garantías no cubren lo siguiente:

1. Condiciones y daños resultantes de cualquiera de las siguientes condiciones:
  - a. Instalación, entrega o mantenimiento inadecuados.
  - b. Cualquier reparación, modificación, alteración o ajuste no autorizado por el fabricante o por un técnico de servicio autorizado.
  - c. Uso inadecuado, abuso, accidentes o uso irrazonable.
  - d. Corriente, voltaje o suministro eléctrico incorrecto.
  - e. Ajuste incorrecto de uno de los controles.
2. Las garantías se anularán si los números de serie originales se quitan, alteran o no se pueden determinar fácilmente.
3. Productos comprados para uso comercial o industrial.
4. El costo del servicio o de las llamadas de servicio para:
  - a. Corregir errores de instalación.
  - b. Instruir al usuario sobre el uso correcto del producto.
  - c. Transportar el electrodoméstico al centro de servicio.
5. Daños resultantes o incidentales sufridos por una persona como resultado de la violación de alguna de estas garantías.

Algunos estados no permiten la exclusión ni la limitación de daños resultantes ni incidentales, de manera que es posible que no aplique la exclusión anterior.

Las guías del usuario, los manuales de servicio y los catálogos de piezas están disponibles en el Departamento de Asistencia al Cliente de Maytag Appliances Sales Company.



# GUÍA DEL USUARIO

¡Felicitaciones por la compra de su secadora Maytag Performa™! Su satisfacción es muy importante para nosotros.

Lea este manual para obtener los mejores resultados. El manual contiene las instrucciones para operar adecuadamente la secadora y los procedimientos para su mantenimiento.

Además, con su lavadora encontrará la guía *Laundrying Tips (Sugerencias para el lavado de la ropa)*. Esta guía contiene procedimientos que se recomiendan para lavar la ropa, quitar manchas y algunas situaciones especiales.

**Ahorre tiempo y dinero.** Si tiene algún problema, le sugerimos que primero consulte la sección "Antes de llamar". Esta sección se preparó para ayudarle a resolver problemas básicos antes de consultar a un técnico de servicio.

Si tiene preguntas, escríbanos (incluya los números de modelo y serie de su secadora y su número de teléfono), o llame al teléfono que se indica a continuación:

Maytag Appliances Sales Company

Attn: CAIR® Center

P.O. Box 2370

Cleveland, TN 37320-2370

1-800-688-9900 EE.UU.

1-800-688-2002 CANADÁ

(De lunes a viernes, de las 8 a.m. a las 8 p.m. hora del Este)

Internet: <http://www.maytag.com>

## Contenido

Garantía de la lavadora de ropa . . . . .	19
Instrucciones de seguridad. . . . .	21
Sugerencias de operación. . . . .	22
Los controles a simple vista . . . . .	23-24
Características especiales . . . . .	25
Cuidado y limpieza . . . . .	26
Antes de llamar . . . . .	27

# Instrucciones importantes de seguridad



**ADVERTENCIA:** Para reducir el riesgo de incendio, explosión, descarga eléctrica o lesiones personales al usar su lavadora, siga las precauciones básicas de seguridad, entre ellas las siguientes:

1. Lea detenidamente las instrucciones antes de usar la lavadora. Conserve todas las instrucciones para su referencia futura.
2. Instale y ubique adecuadamente la lavadora, de acuerdo con las instrucciones de instalación.  
La lavadora debe estar conectada adecuadamente a tierra. Consulte las instrucciones de instalación.  
Si alguna persona sufre una descarga eléctrica al usar la lavadora, desconecte la lavadora del suministro eléctrico. No la opere sino hasta que un técnico de servicio calificado la repare.  
Instale o almacene la lavadora en un lugar donde no esté expuesta a temperaturas inferiores al punto de congelación y donde no esté expuesta a la intemperie.  
Conecte la lavadora a un circuito eléctrico de tensión nominal, protección y capacidad adecuadas. Consulte las especificaciones eléctricas.  
Conecte la lavadora a sistemas adecuados de tubería de agua y drenaje.  
Pida a un técnico de servicio calificado que instale su lavadora.
3. Para evitar que los niños sufran lesiones:  
No permita que los niños jueguen dentro, sobre ni con la lavadora.  
Cuando use la lavadora supervise cuidadosamente a los niños.  
Cuando los niños tengan la edad adecuada, enséñeles a usar segura y correctamente la lavadora.  
Mantenga todos los accesorios de lavandería lejos del alcance de los niños, de preferencia en un gabinete cerrado con llave. Utilice estos accesorios solamente de acuerdo con las instrucciones del fabricante, siguiendo todas las advertencias contenidas en las etiquetas del recipiente.  
Deseche las cajas y las bolsas de plástico después de desempacar la lavadora. Las cajas cubiertas con alfombras, cobijas u hojas de plástico pueden crear una cámara con ventilación inadecuada.  
Quite la puerta del compartimiento de la lavadora antes de que la retire para que se le dé servicio o para desecharla.
4. No toque el interior de la lavadora cuando la tina o el agitador se están moviendo. Para su protección la lavadora está equipada con un interruptor de seguridad. Si la lavadora no se detiene cuando levanta la tapa durante el ciclo de centrifugado, desconéctela del suministro eléctrico. No opere la lavadora sino hasta que un técnico calificado la repare.
5. No altere los controles de operación.
6. Para evitar lesiones personales y daños a la lavadora, no repare ni reemplace ninguna de las piezas ni intente darle servicio. Solamente un técnico de servicio calificado puede dar servicio a su lavadora.
7. No lave artículos de fibra de vidrio a menos que el fabricante lo recomiende.
8. Prendas con acabado resistente al fuego. Si las prendas con acabado resistente al fuego se lavan inadecuadamente, se

- podría ocasionar la remoción de este acabado. Siga cuidadosamente las instrucciones del fabricante de la prenda.
9. Cuando se mude, pida a un técnico calificado que revise e instale adecuadamente la lavadora.
  10. Las mangueras de entrada del agua se dañan con el pasar el tiempo. Periódicamente verifique si las mangueras tienen protuberancias, retorcimientos, cortes, desgaste o escapes y reemplácelas cada cinco años.
  11. No permita que los animales domésticos estén dentro, encima o delante de la lavadora.



## ¡ADVERTENCIA! RIESGO DE INCENDIO

No añada en el agua de lavado gasolina, solventes de limpieza en seco, ni otras sustancias inflamables o explosivas. Estas sustancias desprenden vapores que se podrían inflamar o explotar.

No lave artículos previamente limpiados, lavados, sumergidos o manchados con gasolina, solventes de limpieza en seco, aceite, ceras, solventes químicos, alcohol, trementina u otros materiales inflamables o explosivos. Estas sustancias quedan retenidas en los artículos y es posible que desprendan vapores que se pueden inflamar o explotar.

Observe estas precauciones cuando utilice líquidos de limpieza, productos para quitar manchas, etc. Estos productos deben estar clasificados como "no inflamables". Utilícelos de acuerdo con las instrucciones del fabricante en un área bien ventilada o al aire libre. Enjuague minuciosamente a mano las prendas que contengan estas sustancias antes de ponerlas en la lavadora. Algunos de estos productos, por ejemplo los productos para quitar manchas de óxido, dañarán los componentes y el acabado de la lavadora.

Mantenga el área alrededor y debajo de la lavadora libre de materiales combustibles tales como pelusa, papel, trapos, gasolina y otros vapores y líquidos inflamables.

**¡EL HIDRÓGENO GASEOSO ES EXPLOSIVO!** Bajo ciertas condiciones, en un sistema de agua caliente que no se ha usado durante dos semanas o más tiempo se puede producir hidrógeno gaseoso. Si el sistema de agua caliente no se ha usado durante ese período de tiempo, antes de usar la lavadora abra todos los grifos de agua caliente durante varios minutos. Esto permitirá la liberación del hidrógeno gaseoso que se pudiese haber acumulado. Debido a que este gas es inflamable, cuando realice este procedimiento no fume ni use una llama abierta.

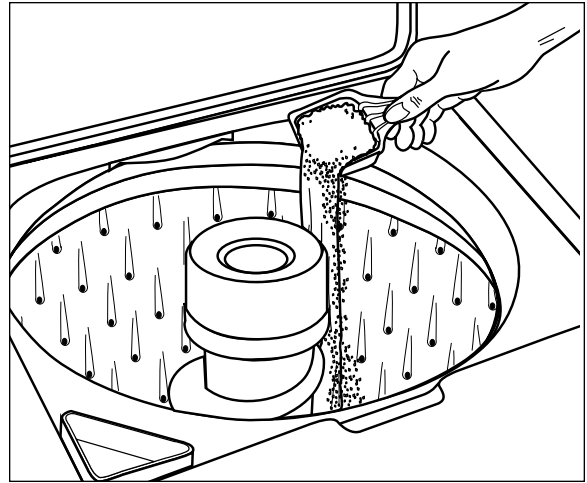
En estudios recientes se ha demostrado que si los materiales contaminados con aceite vegetal se lavan inadecuadamente, la acumulación del aceite puede contribuir a que ocurra una reacción química (combustión espontánea) que podría causar la inflamación repentina de una carga de ropa. Esto puede suceder con más probabilidad cuando se deja la carga de ropa en la lavadora después de que termina el ciclo de secado o cuando las prendas se doblan y apilan mientras están calientes.

# Sugerencias para la operación

Consulte el folleto *Sugerencias para el lavado de la ropa* que se adjunta si desea ver información detallada sobre la separación de la ropa, el pretratamiento de manchas, etc.

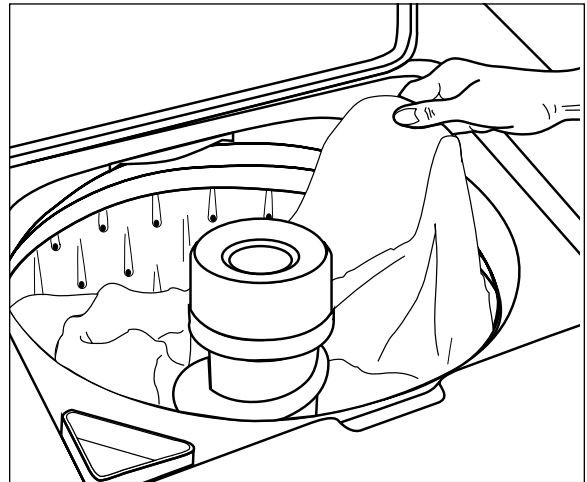
## Detergente

- Utilice detergente líquido o granular para lavar ropa. **Para obtener los mejores resultados, asegúrese de añadir el detergente a la lavadora ANTES de colocar la carga de ropa, y de que el agua de lavado tenga una temperatura mayor que 18.3 °C (65 °F).**
- Use la cantidad de detergente adecuada para el tamaño de la carga, el grado de suciedad y las condiciones del agua. Utilice más detergente si el agua es dura y las cargas están muy sucias.  
Si el agua es suave o la carga está ligeramente sucia, utilice menos detergente. (Consulte las instrucciones del fabricante.)
- Quite cualquier cantidad de detergente que caiga en la lavadora.



## Colocación de la carga de ropa

- Coloque en la tina de la lavadora la ropa seca, desdoblada y de manera holgada, hasta la fila superior de orificios en el caso de una carga completa.
- No envuelva alrededor del agitador las prendas grandes, como por ejemplo las sábanas.
- Mezcle prendas pequeñas y grandes para obtener la mejor circulación. Lave por separado los artículos voluminosos como por ejemplo cobijas o cobertores.
- Cuando lave artículos inarrugables de planchado permanente o prendas delicadas, lanas lavables o artículos de tejido holgado, nunca coloque el nivel del agua en un ajuste menor al ajuste **MEDIUM (MEDIO)**. Esto minimizará el encogimiento, la producción de arrugas y la tensión en las costuras de las prendas.



## Sugerencias adicionales

- La lavadora se detendrá brevemente en el transcurso de cada ciclo. Estas pausas son normales.
- La lavadora está diseñada para que no funcione en el ciclo de centrifugado cuando la tapa está levantada. Sin embargo, se puede llenar y agitar con la tapa levantada para permitir el acceso al agua durante el pretratamiento de manchas o para diluir el suavizante de ropa.
- Si se levanta la tapa durante un ciclo de centrifugado, la lavadora dejará de funcionar. Cuando se baja la tapa y se jala el disco de control, la lavadora continuará el ciclo en el punto en el que se interrumpió.

# Los controles a simple vista

## Paso 1

### Seleccione el nivel del agua

Determine el ajuste de acuerdo con el tamaño de la carga de ropa. Este control infinito (algunos modelos) le permite seleccionar un ajuste específico o cualquier punto intermedio.

Es posible que sea necesario, como por ejemplo en el caso de telas voluminosas, ajustar el nivel del agua después de que comienza la agitación. Para ajustar el nivel del agua, gire el control hasta **RESET (REAJUSTAR)** y luego vuélvalo a colocar en el ajuste deseado.

AJUSTE DEL NIVEL DEL AGUA	TAMAÑO DE LA CARGA
<b>Oversize</b> Extragrande	De 3/4 a completa
<b>Large</b> Grande	De 1/2 – 3/4 a completa
<b>Medium</b> Media	De 1/4 – 1/2 a completa
<b>Mini</b> Pequeña	De 1/4 a completa

**RECUERDE:** Los artículos deben moverse libremente para obtener los mejores resultados.

## Paso 2

### Seleccione el tipo de lavado y la velocidad de centrifugado

La lavadora ofrece varias combinaciones de tipo de lavado y velocidad de centrifugado de las cuales puede seleccionar.

LAVADO/VELOCIDAD DE CENTRIFUGADO	TIPO DE CARGA
<b>Regular/Fast</b> Regular/Rápida	Telas resistentes que necesitan la máxima extracción de agua.
<b>Regular/Slow</b> Regular/Lenta (Algunos modelos)	Telas resistentes que necesitan una menor velocidad de centrifugado debido a que se arrugan.
<b>Delicate/Fast</b> Delicado/Rápida	Cargas pesadas de telas delicadas que necesitan un centrifugado rápido para una mejor extracción del agua.
<b>Delicate/Slow</b> Delicado/Lenta	Telas delicadas que necesitan una menor velocidad de centrifugado debido a la construcción de la ropa.

**RECUERDE:** El detergente no se disuelve bien en el agua de lavado con temperatura menor que 18.3° C (65° F), y por lo tanto no limpiará adecuadamente la ropa. Las etiquetas de cuidado de la ropa definen agua fría aquella con una temperatura de hasta 29.4° C (85° F).



## Paso 3

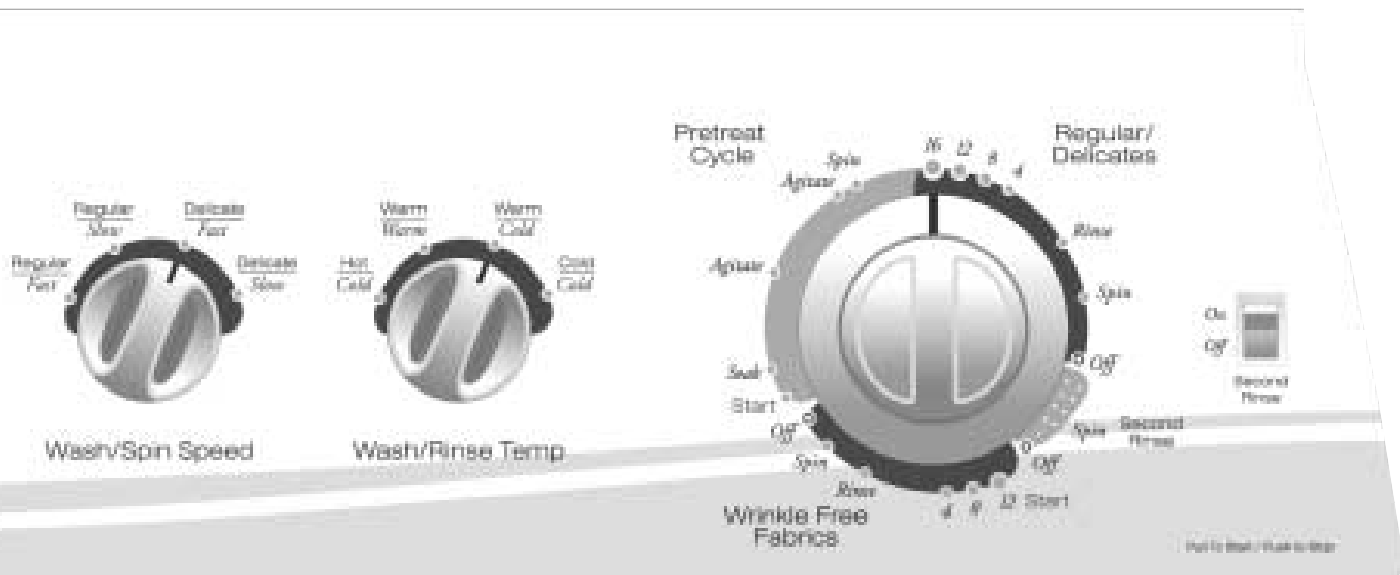
### Seleccione las temperaturas de lavado y enjuague

La lavadora le permite seleccionar entre agua caliente, tibia o fría para lavar, y agua fría o tibia para enjuagar. Utilice la siguiente tabla como guía.

TEMPS. DE LAVADO/ ENJUAGUE	TIPO DE CARGA
<b>Hot/Cold</b> Caliente/Fría	Ropa blanca y ropa de colores sólidos muy sucia.
<b>Warm/Warm</b> Tibia/Tibia	Ropa delicada.
<b>Warm/Cold</b> Tibia/Fría	Ropa de color moderadamente sucia; la mayoría de la ropa inarrugable.
<b>Cold/Cold</b> Fría/Fría	Ropa de colores brillantes, ligeramente sucia. Lanas lavables.

**Consulte la guía Laundering Tips (Sugerencias para el lavado de la ropa) si desea ver los procedimientos adecuados para lavar la ropa, quitar manchas y algunas situaciones especiales.**





Los ciclos y las opciones pueden variar dependiendo del modelo.

## **Paso 4**

### **Seleccione el ciclo**

Para seleccionar un ciclo, presione el disco de control y hágalo girar hacia la derecha hasta que el indicador apunte el número de minutos de lavado que desea.

#### **Regular/Delicates (Ciclos regular y delicado)**

Los ciclos regular y delicado comparten la misma porción del disco de control. Para telas regulares, seleccione el ciclo y coloque el disco de Wash/Spin (Lavado/Velocidad) de centrifugado en Regular/Fast (Regular/Rápida). Para cargas delicadas seleccione Delicate/Slow (Delicado/Lenta).

#### **Wrinkle Free Fabrics (Telas inarrugables)**

Este ciclo permite hasta 12 minutos de agitación. Dependiendo del tipo de carga, seleccione ya sea el ajuste Delicate/Fast (Delicado/Rápida) o el Regular/Slow (Regular/Lenta).

#### **Pretreat Cycle (pretratamiento)**

El pretratamiento permite aproximadamente 30 minutos de agitación y remojo para ayudar a quitar la suciedad y las manchas difíciles. Consulte la página 25 para ver más información al respecto.

## **Paso 5** (opcional)

### **Seleccione el segundo enjuague o adicional enjuague**

Esta característica se ubica en el lado inferior derecho del panel de control. Cuando el interruptor está en la posición "On" (Encendido), se realizará un enjuague adicional al final del ciclo regular o delicado con el objeto de una remoción más completa de aditivos de lavandería, espuma de jabón, perfumes, etc.

## **Paso 6**

### **Jale el disco de control para comenzar**

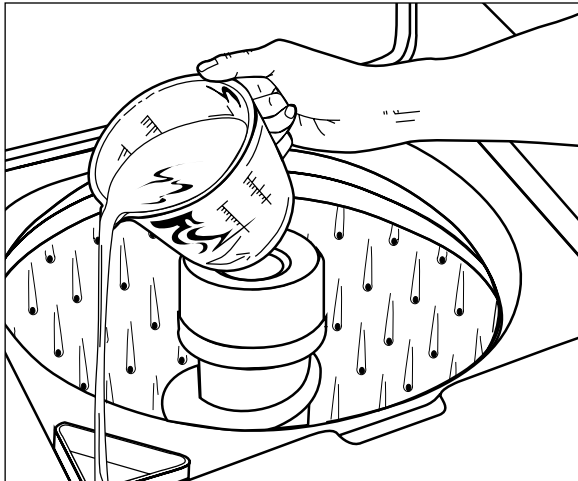
Puede detener el funcionamiento de la lavadora en cualquier momento presionando el disco de control. Por lo tanto, es posible realizar un remojo sin agitación o acortar, evitar o repetir cualquier parte de un ciclo. El disco de control debe estar PRE-ISIONADO (en la posición off, apagado) cuando cambie el ajuste.

**Nota:** No intente girar el disco de control hacia la izquierda, de lo contrario dañará el temporizador.

# Características especiales

## 1. Surtidor de blanqueador líquido

El surtidor diluye automáticamente el blanqueador de cloro líquido antes de que éste entre en contacto con la carga de ropa. Siga estos pasos para usar el surtidor:



**Vierta el blanqueador de cloro líquido en el surtidor de blanqueador.**

1. Mida cuidadosamente el blanqueador de cloro líquido, siguiendo las instrucciones del envase.
2. Añada el blanqueador al surtidor antes de colocar la carga de ropa. Evite salpicar o llenar en exceso el surtidor.

### NOTA:

- Nunca vierta blanqueador de cloro líquido no diluido directamente sobre la carga de ropa ni en la tina de la lavadora. Es una sustancia química muy fuerte y si no se usa adecuadamente puede dañar las telas; por ejemplo, puede romperlas o decolorarlas.
- Si prefiere utilizar un blanqueador sin cloro que no decolore, viértalo en la tina de lavado junto con el detergente. No vierta blanqueadores sin cloro en el surtidor de blanqueador.

## 2. Surtidor de líquidos

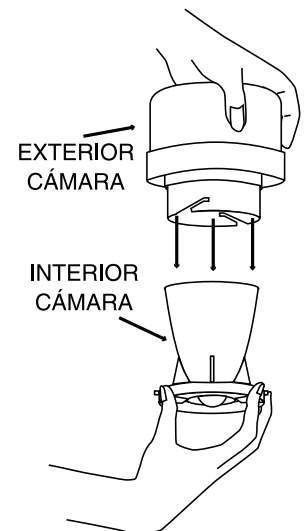
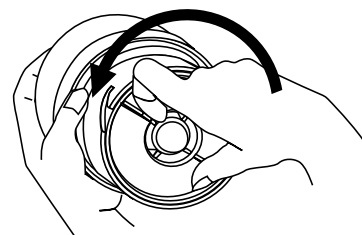
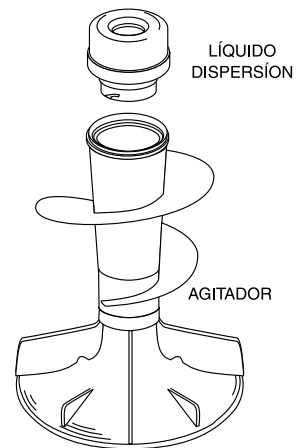
Este surtidor se puede usar para el suavizante de telas en la mayoría de los ciclos, o para el detergente líquido en el ciclo de pretratamiento. El surtidor de líquidos se debe limpiar antes y después de usar detergente. El surtidor automáticamente libera el líquido en el momento adecuado durante el ciclo. Siga estos pasos para usar el surtidor de líquidos:

1. Vierta una cantidad medida del líquido deseado en la parte superior del surtidor, solamente hasta la línea de llenado.

2. Si el líquido no llega hasta esta línea, añada agua tibia.

Si es necesario limpiar el surtidor, sepárelo del agitador. Sujete el surtidor en posición invertida y gire para separar las partes superior e inferior (vea abajo). Entonces podrá limpiar ambas partes con agua caliente y un cepillo si es necesario.

Para volver a colocar el surtidor, sujete ambas partes en posición vertical. Introduzca la cámara interna en la externa utilizando las ranuras como guía para colocar adecuadamente las partes. Gire ambas piezas en sentido contrario hasta que las lengüetas queden fijas en su posición.



## 3. Ciclo de Pretreat (pretratamiento)

El ciclo de pretratamiento permite lavar dos veces la ropa con detergente nuevo en cada lavada. Cuando la ropa se pone inicialmente en la tina de la lavadora y se desea usar el ciclo de pretratamiento, se puede colocar detergente granular o líquido en la tina. Para que se realice el segundo lavado con detergente nuevo, sólo se puede usar detergente líquido, que se coloca en el surtidor de líquidos. Este detergente se mezclará con agua limpia para el segundo lavado, con una agitación de 16 minutos.

---

## 4. Sistema automático de filtrado de pelusa

*El sistema de filtrado de pelusa no requiere limpieza.*

El agua de lavado y enjuague se filtra repetida y continuamente para atrapar la pelusa que desprende la mayoría de las telas durante el ciclo de agitación, antes de que se vuelva a depositar en la ropa. El diseño de la canasta de lavado y el flujo de agua que produce el agitador, separan la pelusa de la ropa y la atrapan entre la canasta de lavado interna y la tina externa. Durante el ciclo de centrifugado, la pelusa sale automáticamente de la lavadora.

## 5. Centrifugado de seguridad

Si por alguna razón levanta la tapa de la lavadora durante el período de centrifugado o de extracción, la lavadora dejará de funcionar inmediatamente. Esto es para su seguridad personal. Si su lavadora no deja de funcionar, llame inmediatamente a un técnico de servicio. Cuando baje la tapa la lavadora automáticamente comenzará a funcionar otra vez.

## 6. Compensador de carga en caso de centrifugado no balanceado

Su nueva lavadora está diseñada para corregir cargas no balanceadas sin necesidad de apagar o interrumpir el ciclo de lavado.

# Cuidado y limpieza

---

1. Después de lavar la ropa deje la lavadora abierta hasta que se seque el interior.
2. Revise las mangueras para asegurarse de que no estén torcidas ni dobladas.
3. Cuando las temperaturas sean menores que el punto de congelación la lavadora no debe estar instalada ya que se podría dañar.
4. Ocasionalmente limpie el exterior de la lavadora con una esponja o un paño limpio y húmedo. Púlala con un paño suave y seco. Si lo desea, púlala ocasionalmente, teniendo cuidado de no derramar ni salpicar pulidor en las piezas de plástico.
5. En la fábrica se hace una lubricación que dura toda la vida útil de la lavadora, de manera que usted nunca necesitará aceitarla ni engrasarla.

Por esta razón siempre se completará el ciclo. Si en alguna ocasión las telas pesadas de una carga no balanceada contienen humedad excesiva al final del ciclo, redistribuya la ropa en la lavadora y reajuste el período de centrifugado final con el disco de control.

## 7. Protector de carga excesiva

Un protector integrado automáticamente apaga el motor de la lavadora en caso de una carga excesiva. Esto puede ocurrir cuando:

- La carga que se está lavando es muy pesada.
- Demasiados electrodomésticos están conectados en la línea de la cual se alimenta su lavadora.
- Hay bajo voltaje en la línea eléctrica.
- Se levanta y baja repetidamente la tapa.

El protector de carga excesiva permite que la lavadora reanude su funcionamiento cuando el motor se enfría hasta alcanzar una temperatura de funcionamiento segura.

Si el motor se detiene repetidamente llame a su técnico de servicio.

6. No coloque objetos pesados ni de bordes agudos sobre la lavadora.
7. Nunca debe utilizar la superficie de la lavadora para quitar manchas de sus prendas. Algunos productos para quitar manchas, como por ejemplo los que se usan para manchas de óxido, dañarán el acabado.
8. Quite alfileres, hebillas u otros objetos de bordes agudos de la ropa para evitar raspar las partes internas de la lavadora.
9. No debe almacenar ropa en la lavadora.
10. Los blanqueadores, detergentes, solventes, etc. que se derraman y permanecen en la superficie de la lavadora dañarán su acabado brillante. Quite de la lavadora el material derramado con un paño suave y húmedo.
11. Si va a desocupar su casa durante el invierno, pida a un técnico de servicio que drene la lavadora. Desenchufe el cable eléctrico del tomacorriente y desconecte las mangueras de los grifos.

# Antes de llamar

## Revise lo siguiente si su lavadora de ropa...

### No drena:

- ¿Está torcida o hecha nudos la manguera?
- ¿Está tapada la salida del drenaje?

### No se llena...

- ¿Está conectado correctamente el cable eléctrico?
- ¿Hay un fusible fundido o un disyuntor disparado?
- ¿Jaló el disco de control?
- ¿Están abiertos los grifos de agua caliente y fría?
- ¿Están torcidas o hechas nudos las mangueras?
- ¿Está ajustado correctamente el disco de control (no está apagado)?
- Apague la lavadora, espere 30 minutos y vuélvala a encender. Es posible que se haya activado el protector térmico.
- Las mallas del filtro de la manguera pueden estar tapadas. Desconecte las mangueras y limpie las mallas.

### La temperatura del agua es incorrecta:

- ¿Está ajustado correctamente el interruptor de temperatura?
- ¿Están las mangueras conectadas a los grifos adecuados (caliente con caliente, y frío con frío)?
- ¿Están abiertos los grifos de agua caliente y de agua fría?
- ¿Está ajustado correctamente el calentador de agua?

### Produce mucho ruido:

- ¿Está la lavadora nivelada y firmemente asentada en el piso?

### No centrifuga

- ¿Está cerrada la lavadora?
- ¿Está conectado correctamente el cable eléctrico?
- ¿Hay un fusible fundido o un disyuntor disparado?

### Tiene fugas:

- ¿Están las conexiones de la manguera bien ajustadas en los grifos?
- ¿Está la manguera de drenaje correctamente insertada y asegurada en la instalación de drenaje?

*Si desea recibir más asistencia comuníquese con Maytag Appliances Sales Company,  
Departamento de Asistencia al Cliente de Maytag:  
1-800-688-9900 en EE.UU.; o 1-800-688-2002 en Canadá*

MAYTAG • 403 W. 4<sup>th</sup> Street N. • P.O. Box 39 • Newton, Iowa 50208



## Free Manuals Download Website

<http://myh66.com>

<http://usermanuals.us>

<http://www.somanuals.com>

<http://www.4manuals.cc>

<http://www.manual-lib.com>

<http://www.404manual.com>

<http://www.luxmanual.com>

<http://aubethermostatmanual.com>

Golf course search by state

<http://golfingnear.com>

Email search by domain

<http://emailbydomain.com>

Auto manuals search

<http://auto.somanuals.com>

TV manuals search

<http://tv.somanuals.com>