

# Technical Information- Dishwasher

**MDB8600AWB    MDB8600AWQ    MDB8600AWS    MDB8600AWW**  
**MDB9600AWB    MDB9600AWQ    MDB9600AWS    MDB9600AWW**

Due to possibility of personal injury or property damage, always contact an authorized technician for servicing or repair of this unit. Refer to Service Manual 16021814.

|   |
|---|
|  <b>CAUTION</b><br>All safety information must be followed as provided in Service Manual 16021814. |
|---|

|   |
|---|
|  <b>WARNING</b><br>To avoid risk of electrical shock, personal injury, or death, disconnect power to dishwasher before servicing, unless testing requires power. |
|---|

| Specifications         | MDB8600AW*         | MDB9600AW*         | Benefits                                  | MDB8600AW* | MDB9600AW* |
|------------------------|--------------------|--------------------|---|------------|------------|
| <b>Power Source</b>    |                    |                    | Wash cycles                               | 5          | 6          |
| Voltage AC             | 120 VAC            | 120 VAC            | Heavy Wash                                | X          | X          |
| Amperage (Single Unit) | 15 A               | 15 A               | Normal Wash                               | X          | X          |
| Frequency              | 60 Hz              | 60 Hz              | Light Wash                                | X          | X          |
| Motor horsepower       | 1/3                | 1/3                | Rinse Only                                | X          | X          |
| Receptacle             | N/A                | N/A                | Auto Clean                                | X          | X          |
| Plug                   | N/A                | N/A                | Drying System                             | X          | X          |
| <b>Dimensions</b>      |                    |                    | <b>Features</b>                           |            |            |
| Height-overall         | 33 1/2" to 35 1/4" | 33 1/2" to 35 1/4" | QuietSeries 300™                          | X          | X          |
| Width                  | 23 7/8"            | 23 7/8"            | *Sanitizer                                | X          | X          |
| Depth                  | 23 1/2"            | 23 1/2"            | *ToughScrub™                              | X          | X          |
| <b>Weight</b>          |                    |                    | *160° Wash                                |            | X          |
| Un-crated              | 65 lbs.            | 65 lbs.            | *Extra Rinse                              | X          | X          |
|                        |                    |                    | 1-9 Hour Delay Start                      | X          | X          |
|                        |                    |                    | Control Lock                              | X          | X          |
|                        |                    |                    | Energy Star                               | X          | X          |
|                        |                    |                    | Active Vent Dry                           | X          | X          |
|                        |                    |                    | Finer Filtration                          | X          | X          |
|                        |                    |                    | Hard Food Disposer                        | X          | X          |
|                        |                    |                    | Remaining Time Countdown Display          | X          | X          |
|                        |                    |                    | Integrated Control Panel                  |            | X          |
|                        |                    |                    | Angled Panel with Microprocessor Controls | X          |            |
|                        |                    |                    | 11 Touch Pad Controls                     | X          |            |
|                        |                    |                    | 13 Touch Pad Controls                     |            | X          |

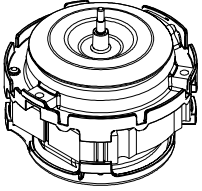

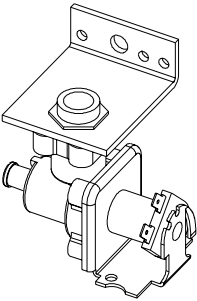
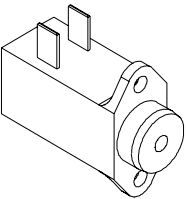
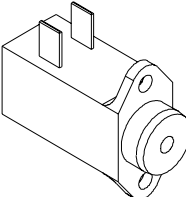
\*On selected models only

# Component Specifications



## WARNING

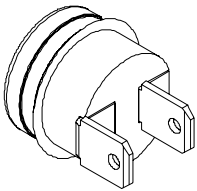
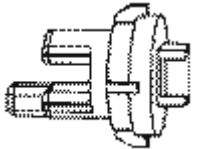
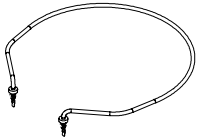
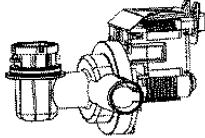
To avoid risk of electrical shock, personal injury, or death, disconnect power to dishwasher before servicing, unless testing requires power.

| Illustration  | Component  | Test Procedure  | Results   |
|---|--|---|---|
|    | <p>Dishwasher Motor</p> <p>CCW rotation only viewed from shaft end.</p> <p>1/3HP<br/>120V/60hz, 3.2 amps,<br/>3250 RPM<br/>Main Wattage, 285 watts<br/>Start Wattage, 1115 watts</p> | <p>Measure resistance from ST5 (Motor Common – blue) to ST8 (Motor Main - yellow) .....<br/>See Component Specifications/Motor Connections for details.</p> | 3 to 4 $\Omega$   |
|    | Control Board  | See Component Specifications/Membrane Readings for troubleshooting/pin-out instructions.  |   |
|   | <p>Water valve</p> <p>120V/60hz, 7 watts<br/>1.13 <math>\pm</math> .10 gpm at 20-120 psi</p>   | <p>Measure resistance from J6 Pin 4 Aqua (Float switch) to ST4 Black (Common) .....</p>   | <p>1.1 k <math>\Omega</math><br/>(This value assumes the float switch is closed).</p> |
|  | <p>Vent wax motor</p> <p>120V with 1/4" actuation stroke within 60 seconds</p>   | <p>Measure resistance from J6 Pin 1 Purple (Vent) to ST4 Black (Common)</p>   | 1.2 k $\Omega$  |
|  | <p>Dispenser wax motor</p> <p>120V with 1/4" actuation stroke within 60 seconds</p>  | <p>Measure resistance from J6 Pin 3 Tan (Dispenser) to ST4 Black (Common).</p>  | 2 k $\Omega$  |

# Component Specifications

 **WARNING**

To avoid risk of electrical shock, personal injury, or death, disconnect power to dishwasher before servicing, unless testing requires power.

| Illustration  | Component   | Test Procedure   | Results   |
|---|---|--|---|
|    | Limit Thermostat  | Close on Temperature drop @ 149°F ± 7°F (Temp) .....<br>Open on Temperature drop @ 164°F ± 4°F (Temp) .....                                  | 0 Ω = Closed<br><br>Infinite Ω = Open                             |
|    | Sensor/Thermistor   | 10KΩ ± 3% at 77°F and 2.4 k Ω ± 6.5% at 140°F<br><br>J5 pin 1 - Orange (Temp) to J5 Pin 4 - Red (Neutral) .....                              | Infinite Ω = Open<br>0 Ω = Closed                                 |
|    | Heater/Heating Element<br><br>120v/60hz, 650 watts ± 5% in air, 830 watts ± 5% in coldwater | Measure resistance from ST1 Red/Black (Heater) to ST11 White (Common) .....  | 16 Ω<br>(This value assumes the high limit thermostat is closed). |
|  | Drain Motor<br><br>120v/60hz  | Measure resistance from ST6 Gray (Drain) to ST4 Black (Common) .....<br><br>See section "Motor Connections and Diagram" for wiring contacts. | 25 Ω  |

# Component Readings/Testing



## WARNING

To avoid risk of electrical shock, personal injury, or death, disconnect power to dishwasher before servicing, unless testing requires power.

### Manual Function Test

A Manual Function Test may be started by pressing the **Normal Wash** key 5 times followed by the **Start** key within 6 seconds.

The **Normal Wash** LED will **Flash** 3 times indicating manual test mode is active. Specific keypads will turn on or off a component as follows:

|                    |                             |
|--------------------|-----------------------------|
| <b>Heavy Wash</b>  | Wash Motor                  |
| <b>Normal Wash</b> | Drain Motor                 |
| <b>Light Wash</b>  | Water Valve                 |
| <b>Rinse Only</b>  | Soap Dispenser (cycle once) |
|                    | Rinse Aid (cycle twice)     |
| <b>Sanitize</b>    | Vent                        |
| <b>Heated Dry</b>  | Heating Element             |

When a component is activated by pressing a specific keypad, the LED above the keypad will be **On**. The test will cancel 120 seconds after the last keypad is pressed. The display (if available) will show '99' until the remaining timeout period is less than 99 seconds. At this point it will countdown until the mode times out, is cancelled, or another key is pressed. To cancel test, press the **Start / Cancel** keypad.

### Sales Floor Demo Mode

Press **Extra Rinse** keypad 5 times within 6 seconds. The LEDs will illuminate in a progressive order until all are lit. All LED's will stay on for 1 second then all go off simultaneously. The display (if available) will begin at '50' and sequence down to '0' at a 1 second interval and repeat until this mode is terminated. This mode will repeat.

To cancel, press the **Start / Cancel** keypad.

### Diagnostic Tips

To check control LEDs, enter **Sales Floor Demo Mode**. If control fails to perform as described, replace control. To check control and components, enter **Field Service Test**. If control fails to perform sequence as described, and a fault is detected, determine failure as described in the **Field Service Test**. If a load component failure has been diagnosed, proceed to the **Manual Function Test**. To check individual load components for proper operation, enter **Manual Function Test**. Follow test procedure as described. Repair or replace component as needed.

**Note:** The **High Current** or **Low Current Motor Error** may be detected during a wash cycle selected by a consumer. If this happens, the control will go into a 30 second auto restart mode and shut down if the unit is not able to restart the motor.

### Membrane Readings (Front Only Controls)

|                   | Connector | Measure Between |
|-------------------|-----------|-----------------|
| Heavy Wash        | J1        | Pin 9 - Pin 5   |
| Normal Wash       | J1        | Pin 9 - Pin 6   |
| Light Wash        | J1        | Pin 9 - Pin 7   |
| Rinse Only        | J1        | Pin 9 - Pin 8   |
| Auto Clean        | J1        | Pin 10 - Pin 5  |
| Start / Cancel    | J1        | Pin 10 - Pin 6  |
| Delay             | J1        | Pin 10 - Pin 7  |
| Heated Dry        | J1        | Pin 11 - Pin 5  |
| Sanitize          | J1        | Pin 11 - Pin 6  |
| Tough Scrub       | J1        | Pin 11 - Pin 7  |
| Tough Scrub Plus  | J1        | Pin 10 - Pin 8  |
| Extra Rinse       | J1        | Pin 11 - Pin 8  |
| Model ID Jumper * | J1        | Pin 12 - Pin 7  |

An unpressed switch will read as an open circuit.  
A pressed switch will read as 10 k ohms.

\* On select models

### Field Service Test

A Field Service Test may be started by pressing the **Heavy Wash** key 5 times followed by the **Start** key within 6 seconds. This test must be performed with clean water to insure proper sensor performance.

"88" will appear in the display (if available\*) and the following sequence of events will occur:

| SECONDS | FUNCTIONS / ACTIVE LOADS   |
|---------|--|
| 106     | Vent Wax Motor/Water Valve   |
| 5       | Thermistor check/Turbidity Sensor check & calibration - no loads active. |
| 120     | Wash Motor/Vent Wax Motor/Dispenser Wax Motor                            |
| 180     | Wash Motor/Heater/Vent Wax Motor   |
| 120     | Drain Pump   |
| 4       | Water Valve  |

Time frame for Thermistor/Turbidity Sensor check & calibration may vary slightly.

The Field Service Test will not repeat. The **Heavy Wash** LED will **Flash** during the test mode. Indicator lights (except **Heavy Wash** and the Display) will illuminate per Sales Floor Demo Mode. If the dishwasher door is opened during the test, the test sequence will pause, and resume when the door is closed. To the cancel test, press the **Start / Cancel** keypad.

The control has been designed to test the Sensor Memory and Motor. During the Field Service Test, if a fault has been detected, the test will abort any time after the motor current has been checked and 2 or more LED's will begin to **Flash**. A **Memory / Software Check** will occur immediately after the test is started. The (See Note\*\*) LED and one of the following:

**Turbidity Sensor** - failure - **Rinse Only** LED  
**Thermistor** - failure - **Heavy Wash** LED  
**Motor** - high current - **Normal Wash** LED  
**Motor** - low current - **Light Wash** LED  
**Memory Failure** - **Heated Dry** LED

\* On select models

\*\* On units with Front Controls only, this will be the **Clean** LED, on units with Top & Front Controls, this will be the **Delay** LED

### Membrane Readings (Front & Top Controls)

|                   | Connector | Measure Between |
|-------------------|-----------|-----------------|
| Auto Clean        | J1        | Pin 10 - Pin 5  |
| Heavy Wash        | J1        | Pin 9 - Pin 5   |
| Normal Wash       | J1        | Pin 9 - Pin 6   |
| Light Wash        | J1        | Pin 9 - Pin 7   |
| Rinse Only        | J1        | Pin 9 - Pin 8   |
| Quick Wash        | J1        | Pin 10 - Pin 6  |
| Heated Dry        | J1        | Pin 11 - Pin 5  |
| Sanitize          | J1        | Pin 11 - Pin 6  |
| Extra Rinse       | J1        | Pin 11 - Pin 8  |
| Tough Scrub Plus  | J1        | Pin 10 - Pin 7  |
| 160° Wash         | J1        | Pin 10 - Pin 8  |
| Model ID Jumper * | J1        | Pin 12 - Pin 8  |
| Start / Cancel    | J3        | Pin 9 - Pin 5   |
| Delay             | J3        | Pin 9 - Pin 6   |

An unpressed switch will read as an open circuit.  
A pressed switch will read as 10 k ohms.

\* On select models

### Load Readings

|                          | Measure between:                      | Result             |
|--------------------------|---------------------------------------|--------------------|
| Heater <sup>1</sup>      | ST1 (Heater) - ST11 (Dlb Neutral)     | 16 ohms            |
| Wash Motor               | ST5 (Motor Common) - ST8 (Motor Main) | 3 to 4 ohms        |
| Drain Motor              | ST6 (Drain) - ST4 (Dlb Line)          | 25 ohms            |
| Vent Wax Motor           | J6 Pin 1 (Vent) - ST4 (Dlb Line)      | 1.2 k ohms         |
| Dispenser Wax Motor      | J6 Pin 3 (Disp) - ST4 (Dlb Line)      | 2 k ohms           |
| Water Valve <sup>2</sup> | J6 Pin 4 (Init) - ST4 (Dlb Line)      | 1.1 k ohms         |
| Thermistor               | J5 Pin 1 (Temp) - J5 Pin 4 (Neutral)  | See Component Info |

#### Notes:

1. This value assumes the high limit thermostat is closed.
2. This value assumes the float switch is closed.
3. Results are approximate values.

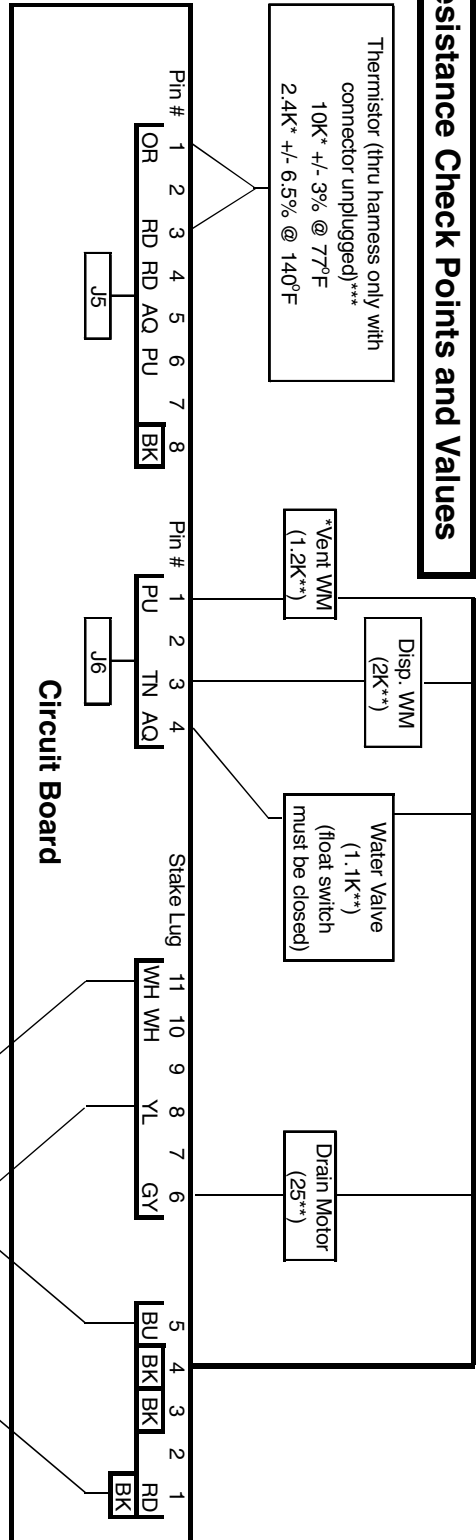
# Electrical Diagnostics



## WARNING

To avoid risk of electrical shock, personal injury, or death, disconnect power to dishwasher before servicing, unless testing requires power.

### Resistance Check Points and Values



1 Use the "Manual Function Test" [as described on the electrical schematic sheet (6 918139)] to check components before opening the door to perform continuity testing or replacing parts.

#### To check continuity from ends of power leads to control board through door switches:

- 2 (A white plastic latch must be inserted in the latch assembly for this test.)
  - > With one ohm meter lead connected to the white (neutral) power lead, you should have continuity at stake lugs 10 & 11.
  - > With one ohm meter lead connected to the black (line) power lead, you should have continuity at stake lugs 3 & 4, and pin # 8 on connector J5.

3 Perform the resistance checks on the component(s) in question at the locations shown on the chart.

\* Select Models Only.

\*\* Nominal value for ohms of electrical resistance of component only. These values will vary slightly due to the additional resistance of the wire harness. Greater variation can occur if the component is still warm from being energized during testing.

\*\*\* A resistor in the control board wired in parallel will result in an approximate reading of 4.0 k ohms with connector J5 plugged in.

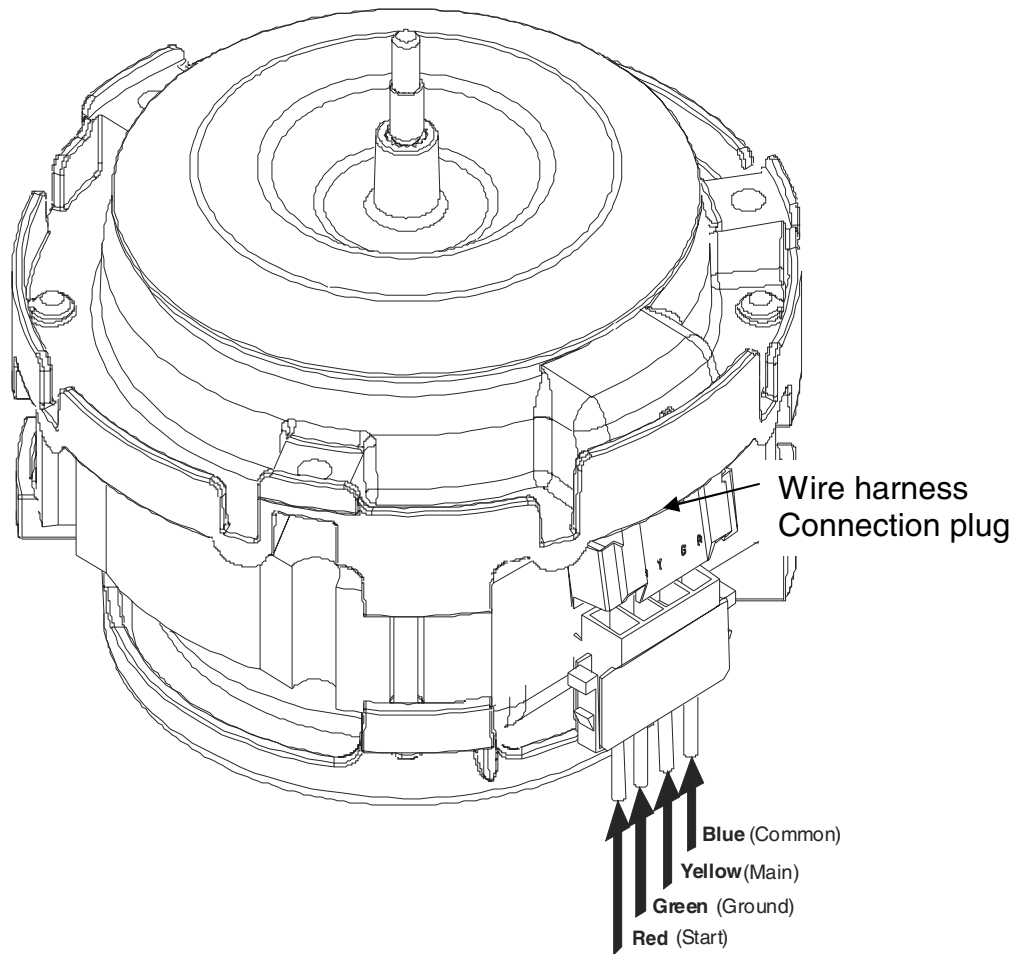
**Always remove power to the unit before performing any resistance or continuity checks.**

# Motor Connectivity



## WARNING

To avoid risk of electrical shock, personal injury, or death, disconnect power to dishwasher before servicing, unless testing requires power.



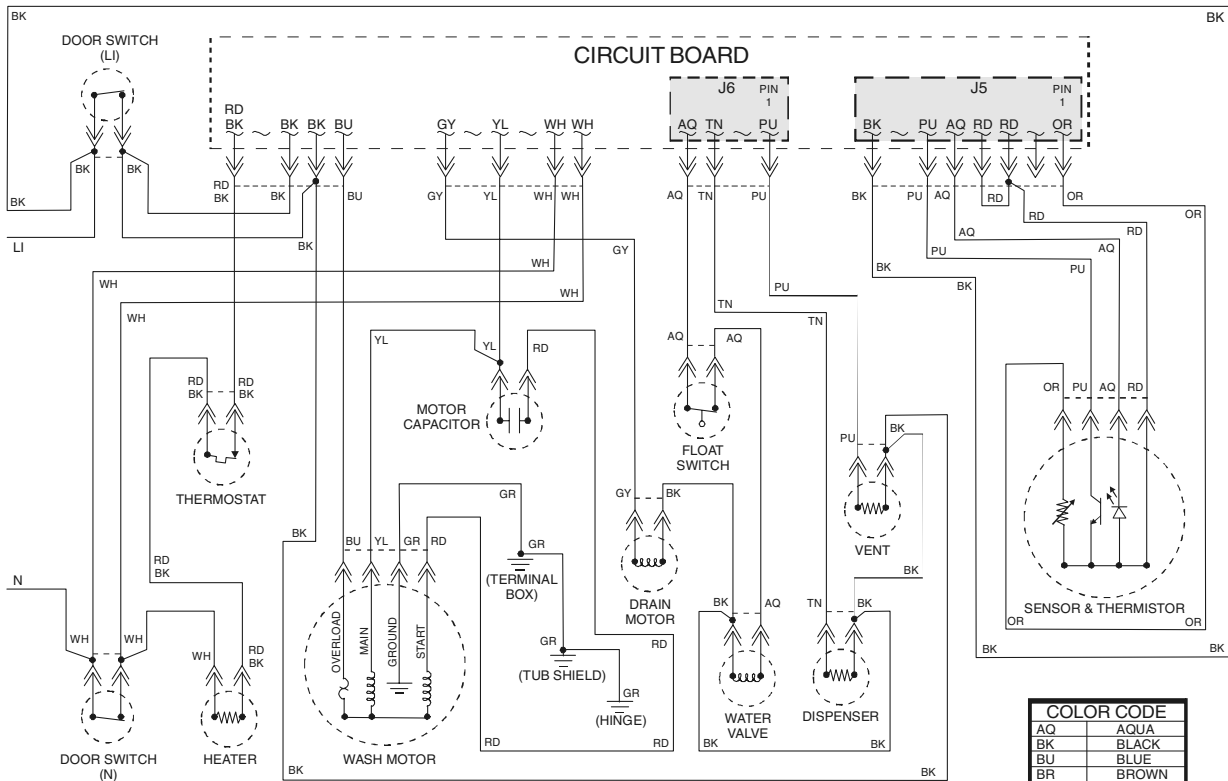
1/3HP  
120V/60hz, 3.2 amps, 3250 RPM

# Wiring Diagram



## WARNING

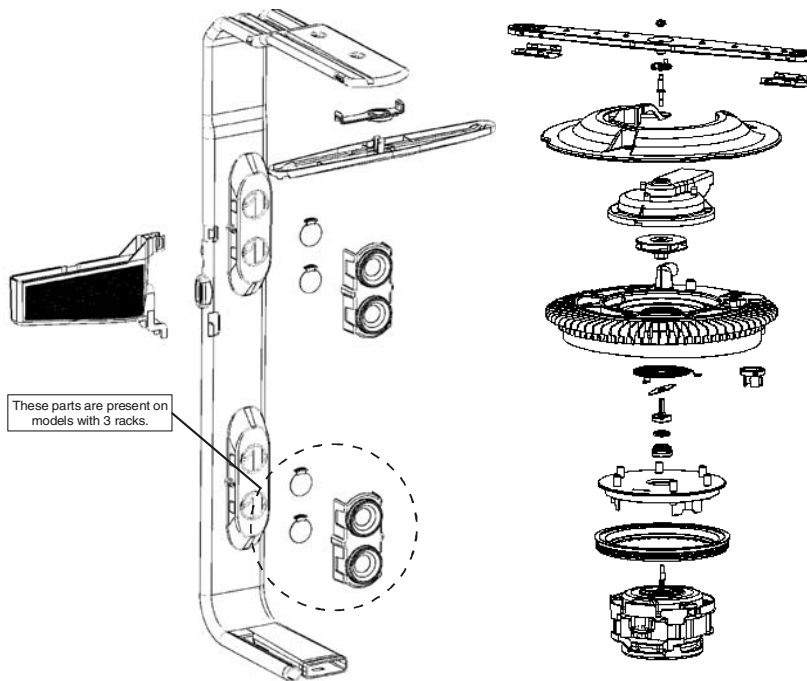
To avoid risk of electrical shock, personal injury, or death, disconnect power to dishwasher before servicing, unless testing requires power.



| KEY |                     |
|-----|---------------------|
| +   | WIRES NOT CONNECTED |
| ↕   | WIRES CONNECTED     |

NOTE: SOME WIRES HAVE STRIPES. STRIPED WIRES ARE LABELED WITH THE SOLID COLOR FIRST AND THE STRIPE COLOR SECOND.  
 EXAMPLE: A RED WIRE WITH A BLACK STRIPE WOULD BE LABELED RD BK

| COLOR CODE |        |
|------------|--------|
| AQ         | AQUA   |
| BK         | BLACK  |
| BU         | BLUE   |
| BR         | BROWN  |
| GY         | GRAY   |
| GN         | GREEN  |
| OR         | ORANGE |
| PK         | PINK   |
| PU         | PURPLE |
| RD         | RED    |
| TN         | TAN    |
| WH         | WHITE  |
| YL         | YELLOW |



### Component Information

|                  |   |
|------------------|---|
| Wash Motor       | 1/3 HP motor, 120V / 60hz, 3.2 amps, 3250 RPM<br>Main wattage, 285 watts<br>Start wattage, 1115 watts   |
| Water Valve      | 120V / 60hz, 7 watts<br>1.13 ± .10 gpm at 20 - 120 psi  |
| Heating Element  | 120V / 60hz, 650 watts ± 5% in air<br>830 watts ± 5% in cold water  |
| Limit Thermostat | SPST 1/4" terminal switch<br>Close at 149° ± 7°F (65.0° ± 3.9°C)<br>Open at 164° ± 4°F (73.3° ± 2.3°C)  |
| Thermistor       | Resistance and tolerance:<br>10k ohms ± 3% at 77°F (25°C) and<br>2.4k ohms ± 6.5% at 140°F (60°C)   |
| Wax Motors       | Vent - 120V continuous duty 1/4" actuation stroke within 90 seconds<br>Detergent & Rinse Aid - 120V incremental duty with 1/4" actuation stroke within 90 seconds |
| Capacitor        | 300V / 50 - 60hz<br>185°F(85°C), 15µf + 10% / -5%   |
| Drain Motor      | 45 watts  |

# Cycle Chart



## WARNING

To avoid risk of electrical shock, personal injury, or death, disconnect power to dishwasher before servicing, unless testing requires power.

### RINSE ONLY CYCLE 9 Minutes

|                              |               |               |              |
|------------------------------|---------------|---------------|--------------|
| FILL<br>1:36 min<br>1:46 max | RINSE<br>5:00 | DRAIN<br>2:00 | FILL<br>0:02 |
|------------------------------|---------------|---------------|--------------|

Available Options:  
No options are available with the **Rinse Only** cycle.

### QUICK WASH CYCLE 38 Minutes

|                              |                       |                         |               |                              |                                  |                      |               |               |              |
|------------------------------|-----------------------|-------------------------|---------------|------------------------------|----------------------------------|----------------------|---------------|---------------|--------------|
| FILL<br>1:36 min<br>1:46 max | HEATED<br>DET<br>DISP | HEATED<br>WASH<br>10:00 | DRAIN<br>2:00 | FILL<br>1:36 min<br>1:46 max | HEATED<br>Rinse<br>WASH<br>15:00 | RINSE<br>AID<br>DISP | RINSE<br>5:00 | DRAIN<br>2:00 | FILL<br>0:02 |
|------------------------------|-----------------------|-------------------------|---------------|------------------------------|----------------------------------|----------------------|---------------|---------------|--------------|

Available Options:  
Extra Rise - This option adds an additional fill between the main wash and the final rinse for an additional 5 minutes of unheated rinse.

### LIGHT WASH CYCLE 82 Minutes

|                              |                                |               |                              |                       |                         |               |                              |                          |                        |                      |               |              |                       |
|------------------------------|--------------------------------|---------------|------------------------------|-----------------------|-------------------------|---------------|------------------------------|--------------------------|------------------------|----------------------|---------------|--------------|-----------------------|
| FILL<br>1:36 min<br>1:46 max | HEATED<br>PRE<br>WASH<br>10:00 | DRAIN<br>2:20 | FILL<br>1:36 min<br>1:46 max | HEATED<br>DET<br>DISP | HEATED<br>WASH<br>10:00 | DRAIN<br>2:00 | FILL<br>1:36 min<br>1:46 max | HEATED<br>RINSE<br>15:00 | TEMP<br>CHECK<br>140°F | RINSE<br>AID<br>DISP | DRAIN<br>2:00 | FILL<br>0:02 | DRY<br>CYCLE<br>30:00 |
|------------------------------|--------------------------------|---------------|------------------------------|-----------------------|-------------------------|---------------|------------------------------|--------------------------|------------------------|----------------------|---------------|--------------|-----------------------|

Available Options:  
Extra Rise - This option adds an additional fill between the main wash and the final rinse for an additional 5 minutes of unheated rinse.  
Tough Scrub Plus - This option adds an additional 18 minutes of heated wash to the main wash and 5 minutes of heated rinse to the final rinse.

### NORMAL WASH CYCLE (97 Minutes - min) (118 Minutes - max)

|                              |                               |               |                              |                       |                         |                        |                        |               |                              |                                 |               |                              |                          |                                     |                      |               |              |                       |
|------------------------------|-------------------------------|---------------|------------------------------|-----------------------|-------------------------|------------------------|------------------------|---------------|------------------------------|---------------------------------|---------------|------------------------------|--------------------------|-------------------------------------|----------------------|---------------|--------------|-----------------------|
| FILL<br>1:36 min<br>1:46 max | HEATED<br>PRE<br>WASH<br>8:00 | DRAIN<br>2:20 | FILL<br>1:36 min<br>1:46 max | HEATED<br>DET<br>DISP | HEATED<br>WASH<br>26:00 | HEATED<br>WASH<br>2:00 | TEMP<br>CHECK<br>140°F | DRAIN<br>2:00 | FILL<br>1:36 min<br>1:46 max | HEATED<br>PRE<br>RINSE<br>10:00 | DRAIN<br>2:00 | FILL<br>1:36 min<br>1:46 max | HEATED<br>RINSE<br>10:00 | HEATED<br>CHECK<br>SEENOTE<br>SKIP? | RINSE<br>AID<br>DISP | DRAIN<br>2:00 | FILL<br>0:02 | DRY<br>CYCLE<br>30:00 |
|------------------------------|-------------------------------|---------------|------------------------------|-----------------------|-------------------------|------------------------|------------------------|---------------|------------------------------|---------------------------------|---------------|------------------------------|--------------------------|-------------------------------------|----------------------|---------------|--------------|-----------------------|

Available Options:  
Extra Rise - This option adds an additional fill between the main wash and the final rinse for an additional 5 minutes of unheated rinse.  
Tough Scrub Plus - This option overrides the sensor's decision to skip cycle functions and adds an additional 7 minutes of heated wash to the main wash.

TC 1: If sensor detects lighter soil, the temp check will be 128 °F  
TC 2: If sensor detects heavier soil, the temp check will be 140 °F  
TC 3: If sensor detects heavier soil, the temp check will be 145 °F

### HEAVY WASH CYCLE (129 Minutes - min) (131 Minutes - max)

|                              |                               |               |                              |                       |                         |                         |                        |               |                              |                                 |               |                              |                          |                                     |                      |               |              |                       |
|------------------------------|-------------------------------|---------------|------------------------------|-----------------------|-------------------------|-------------------------|------------------------|---------------|------------------------------|---------------------------------|---------------|------------------------------|--------------------------|-------------------------------------|----------------------|---------------|--------------|-----------------------|
| FILL<br>1:36 min<br>1:46 max | HEATED<br>PRE<br>WASH<br>8:00 | DRAIN<br>2:20 | FILL<br>1:36 min<br>1:46 max | HEATED<br>DET<br>DISP | HEATED<br>WASH<br>10:00 | HEATED<br>WASH<br>18:00 | TEMP<br>CHECK<br>140°F | DRAIN<br>2:00 | FILL<br>1:36 min<br>1:46 max | HEATED<br>PRE<br>RINSE<br>10:00 | DRAIN<br>2:00 | FILL<br>1:36 min<br>1:46 max | HEATED<br>RINSE<br>10:00 | HEATED<br>CHECK<br>SEENOTE<br>SKIP? | RINSE<br>AID<br>DISP | DRAIN<br>2:00 | FILL<br>0:02 | DRY<br>CYCLE<br>30:00 |
|------------------------------|-------------------------------|---------------|------------------------------|-----------------------|-------------------------|-------------------------|------------------------|---------------|------------------------------|---------------------------------|---------------|------------------------------|--------------------------|-------------------------------------|----------------------|---------------|--------------|-----------------------|

Available Options:  
Extra Rise - This option adds an additional fill between the main wash and the final rinse for an additional 10 minutes of heated rinse.  
Tough Scrub Plus - This option adds an additional 5 minutes of heated wash to the pre-wash, an additional 12 minutes of heated wash to the main wash and an additional 5 minutes of heated rinse to the second pre-rinse.

### AUTO CLEAN CYCLE (197 Minutes - min) (131 Minutes - max)

|                              |                               |               |                              |                       |                         |                        |                        |               |                              |                                 |               |                              |                          |                                     |                      |               |              |                       |
|------------------------------|-------------------------------|---------------|------------------------------|-----------------------|-------------------------|------------------------|------------------------|---------------|------------------------------|---------------------------------|---------------|------------------------------|--------------------------|-------------------------------------|----------------------|---------------|--------------|-----------------------|
| FILL<br>1:36 min<br>1:46 max | HEATED<br>PRE<br>WASH<br>8:00 | DRAIN<br>2:20 | FILL<br>1:36 min<br>1:46 max | HEATED<br>DET<br>DISP | HEATED<br>WASH<br>26:00 | HEATED<br>WASH<br>2:00 | TEMP<br>CHECK<br>140°F | DRAIN<br>2:00 | FILL<br>1:36 min<br>1:46 max | HEATED<br>PRE<br>RINSE<br>10:00 | DRAIN<br>2:00 | FILL<br>1:36 min<br>1:46 max | HEATED<br>RINSE<br>10:00 | HEATED<br>CHECK<br>SEENOTE<br>SKIP? | RINSE<br>AID<br>DISP | DRAIN<br>2:00 | FILL<br>0:02 | DRY<br>CYCLE<br>30:00 |
|------------------------------|-------------------------------|---------------|------------------------------|-----------------------|-------------------------|------------------------|------------------------|---------------|------------------------------|---------------------------------|---------------|------------------------------|--------------------------|-------------------------------------|----------------------|---------------|--------------|-----------------------|

Available Options:  
Extra Rise - This option adds an additional fill between the main wash and the final rinse for an additional 5 minutes of unheated rinse.  
Tough Scrub Plus - This option overrides the sensor's decision to skip cycle functions.  
Tough Scrub Plus - This option is the same as Tough Scrub but the main wash temp check is boosted to 145°F.

Temperature Options (Available on select models)  
**Sanitize**: If the Sanitize option is available for a given cycle, it forces a temp check at the end of the main wash, a 154°F temp check prior to the rinse aid dispense in the final rinse and adds an additional 5 minutes of rinse before the rinse aid dispense.  
**160° Wash**: If the 160° Wash option is available for a given cycle, it forces a 160°F temp check prior to the rinse aid dispense in the final rinse.

- Notes
- All times are approximate.
  - Temperature checks force a maximum 20 minute heating delay to reach the desired temperature.
  - The **Auto Clean** cycle definition gives the minimum and maximum possible cycle lengths. Actual cycle length and executed cycle functions will vary based on the sensor input.
  - Fill length varies between different models.

**SKIP?**  
This represents the portion of a cycle that MAY be omitted. The determination of whether a segment is skipped or not is made by input from the sensor.

| DRY CYCLE (Models without 160° Wash option) |                       |                      |                       | VENT CLOSED          |                       |                      |                       | VENT OPENED          |                       |                      |                       |                      |                       |
|---|-----------------------|----------------------|-----------------------|----------------------|-----------------------|----------------------|-----------------------|----------------------|-----------------------|----------------------|-----------------------|----------------------|-----------------------|
| HEATER<br>ON<br>3:00                        | HEATER<br>OFF<br>1:30 | HEATER<br>ON<br>1:00 | HEATER<br>OFF<br>1:30 | HEATER<br>ON<br>1:30 | HEATER<br>OFF<br>1:00 | HEATER<br>ON<br>1:00 | HEATER<br>OFF<br>1:30 | HEATER<br>ON<br>1:00 | HEATER<br>OFF<br>1:30 | HEATER<br>ON<br>1:00 | HEATER<br>OFF<br>1:30 | HEATER<br>ON<br>1:00 | HEATER<br>OFF<br>1:30 |

Note: If Heated Dry is not selected, the heater will not be activated during the dry cycle.

| DRY CYCLE (Models with 160° Wash option) |                       |                      |                       | VENT CLOSED          |                       |                      |                       | VENT OPENED          |                       |                      |                       |                      |                       |
|--|-----------------------|----------------------|-----------------------|----------------------|-----------------------|----------------------|-----------------------|----------------------|-----------------------|----------------------|-----------------------|----------------------|-----------------------|
| HEATER<br>ON<br>3:00<br>or<br>1:00       | HEATER<br>OFF<br>3:00 | HEATER<br>ON<br>1:00 | HEATER<br>OFF<br>1:00 | HEATER<br>ON<br>1:00 | HEATER<br>OFF<br>1:00 | HEATER<br>ON<br>1:00 | HEATER<br>OFF<br>1:00 | HEATER<br>ON<br>1:00 | HEATER<br>OFF<br>3:00 | HEATER<br>ON<br>1:00 | HEATER<br>OFF<br>3:00 | HEATER<br>ON<br>1:00 | HEATER<br>OFF<br>3:00 |

Notes: If Heated Dry is not selected, the heater will not be activated during the dry cycle.  
If 160° Wash is selected, the first two minutes of heating is changed to 2 minutes of unheated at the end of the dry cycle.



## Free Manuals Download Website

<http://myh66.com>

<http://usermanuals.us>

<http://www.somanuals.com>

<http://www.4manuals.cc>

<http://www.manual-lib.com>

<http://www.404manual.com>

<http://www.luxmanual.com>

<http://aubethermostatmanual.com>

Golf course search by state

<http://golfingnear.com>

Email search by domain

<http://emailbydomain.com>

Auto manuals search

<http://auto.somanuals.com>

TV manuals search

<http://tv.somanuals.com>