

REFRIGERATOR

Repair Parts List

MODEL NUMBER

ARB1905CW

MANUFACTURING
NUMBER

PARB1905CW0

When requesting service or ordering parts, always provide the following information:

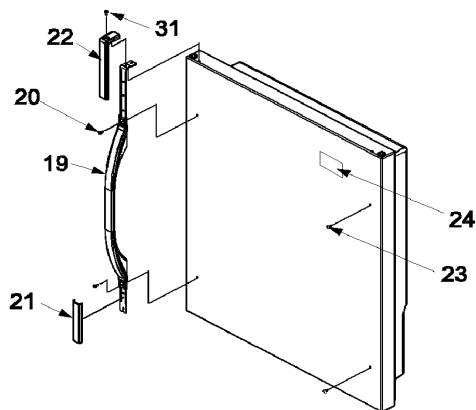
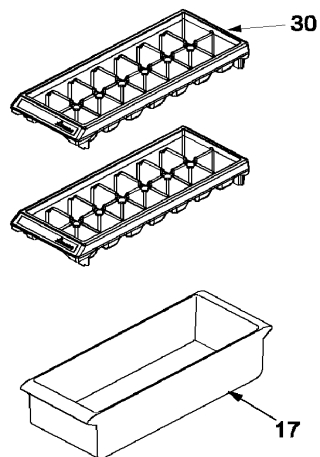
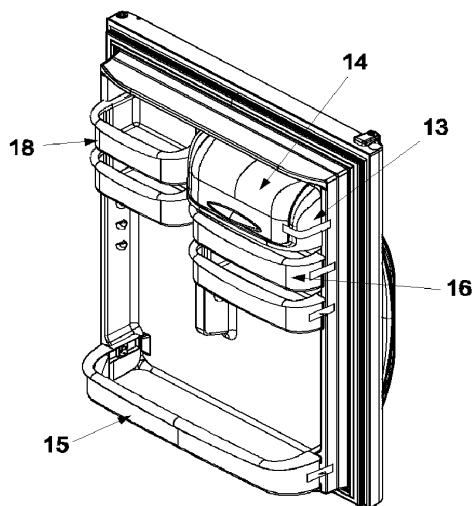
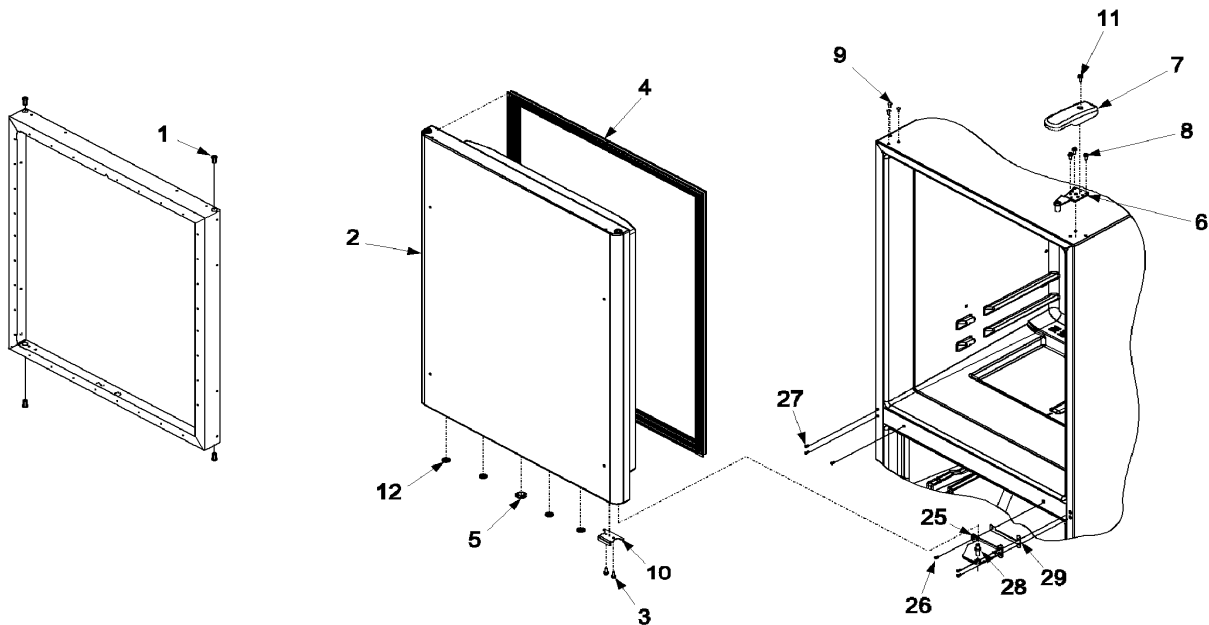
- Product Type
- Part Number
- Model Number
- Part Description

MAYTAG®

©2005 Maytag Services

Section: REFRIGERATOR DOOR

Model: ARB1905CW_PARB1905CW0



AA44-19

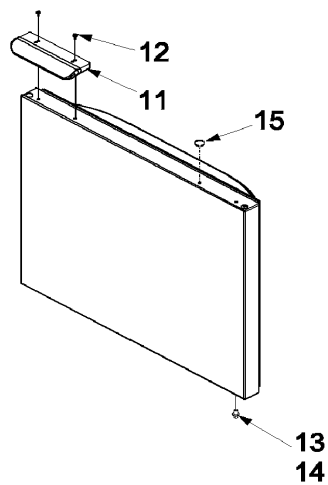
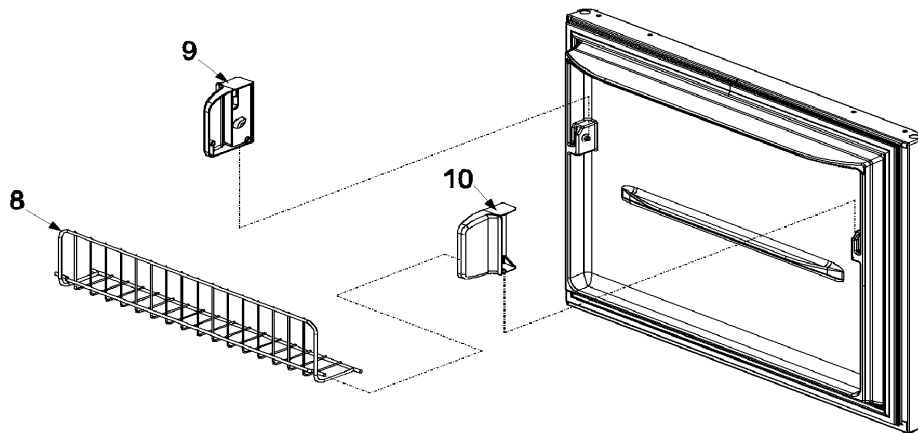
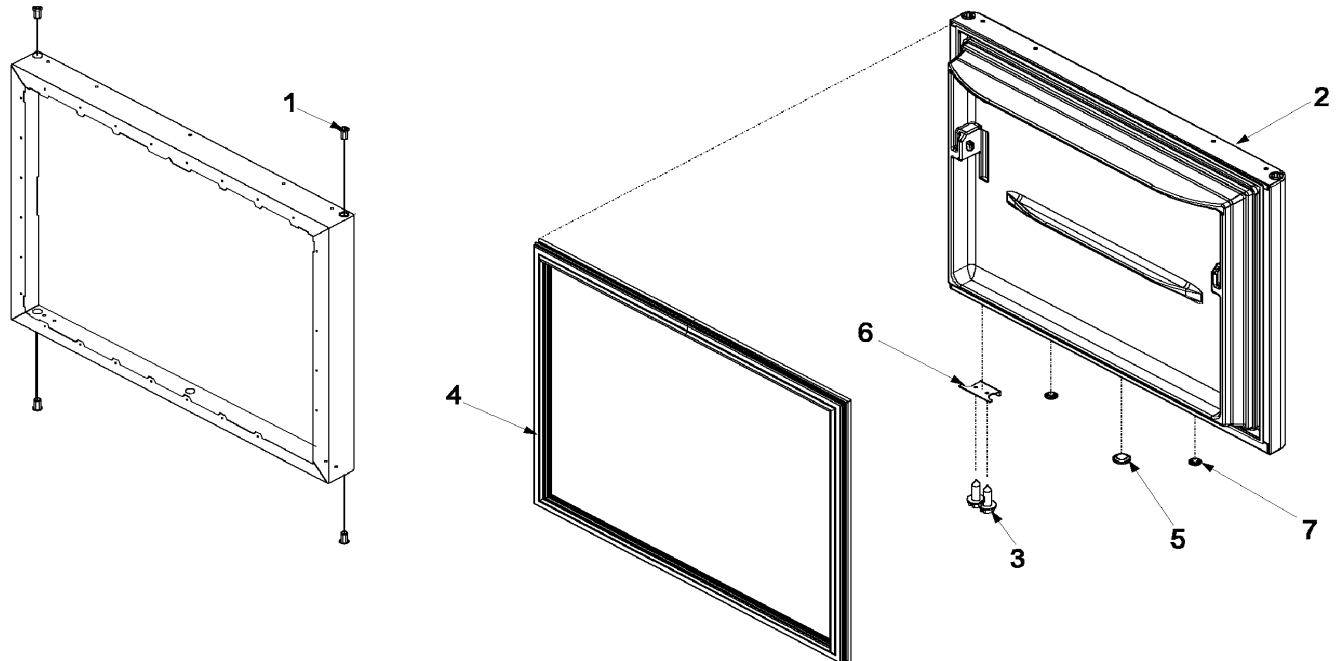
Section: REFRIGERATOR DOOR

No.	Part No.	Description	Series Qty
1	10961001	BUSHING, DOOR (WHT)	4
2	67001138	REF DR FOAM ASSY (WHT)	1
3	M0211533	SCREW, MOUNTING	2
4	12683801W	GASKET, REF DR (WHT)	1
5	A3080002	PLUG, BUTTON (WHT)	1
6	67001011	HINGE, TOP (BLK)	1
7	67001014	COVER, TOP HINGE (WHT)	1
8	M0238731	SCREW, TF	3
9	M0310729	PLUG, TOP HINGE BUTTON (WHT)	3
10	10447108	STOP, DOOR (WHT)	1
11	M0202336	SCREW, MACH	1
12	67001015	PLUG, BUTTON (WHT)	4
14	67001307	DOOR, DAIRY	1
15	67001296	RETAINER, DOOR	1
16	67001998	BUCKET, MED REF DR	2
17	10423131	BIN, UTILITY	1
18	67002287	BUCKET, SMALL REF	2
19	67001922	HANDLE, REF DOOR (WHT)	1
20	M0223230	SCREW, MOUNTING	2
21	67001144	TRIM, BOTTOM HANDLE (WHT)	1
22	67001129	TRIM, TOP HANDLE (WHT)	1
23	12246601	PLUG, HANDLE HOLE (WHT)	2
24	Y12528501	NAMEPLATE (AMANA PLUS)	1
25	67001168	HINGE, CENTER (WHT)	1
26	M0226233	SCREW, T. F.	3
27	M0239730	SCREW, TF	3
28	10351001	PIN, HINGE (CTR)	1
29	M0274057	SHIM, NON METAL (WHT)	1
30	67001205	TRAY, ICE	2
31	12248201	SCREW, HNDL CONE	1

*Color Code (-)=Not Shown #=Series, Serial Prefix or Run No., N=Not Available

Section: FREEZER DOOR

Model: ARB1905CW_PARB1905CW0



AA49-4

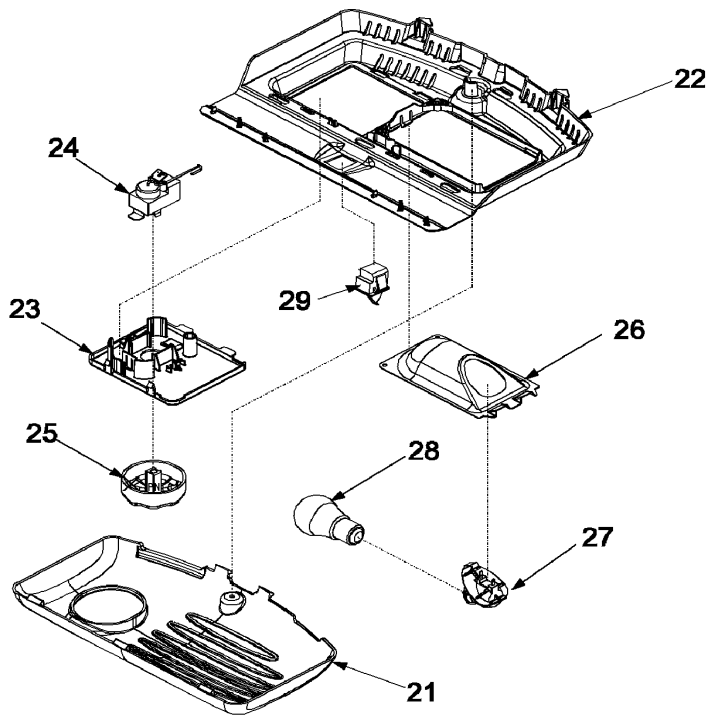
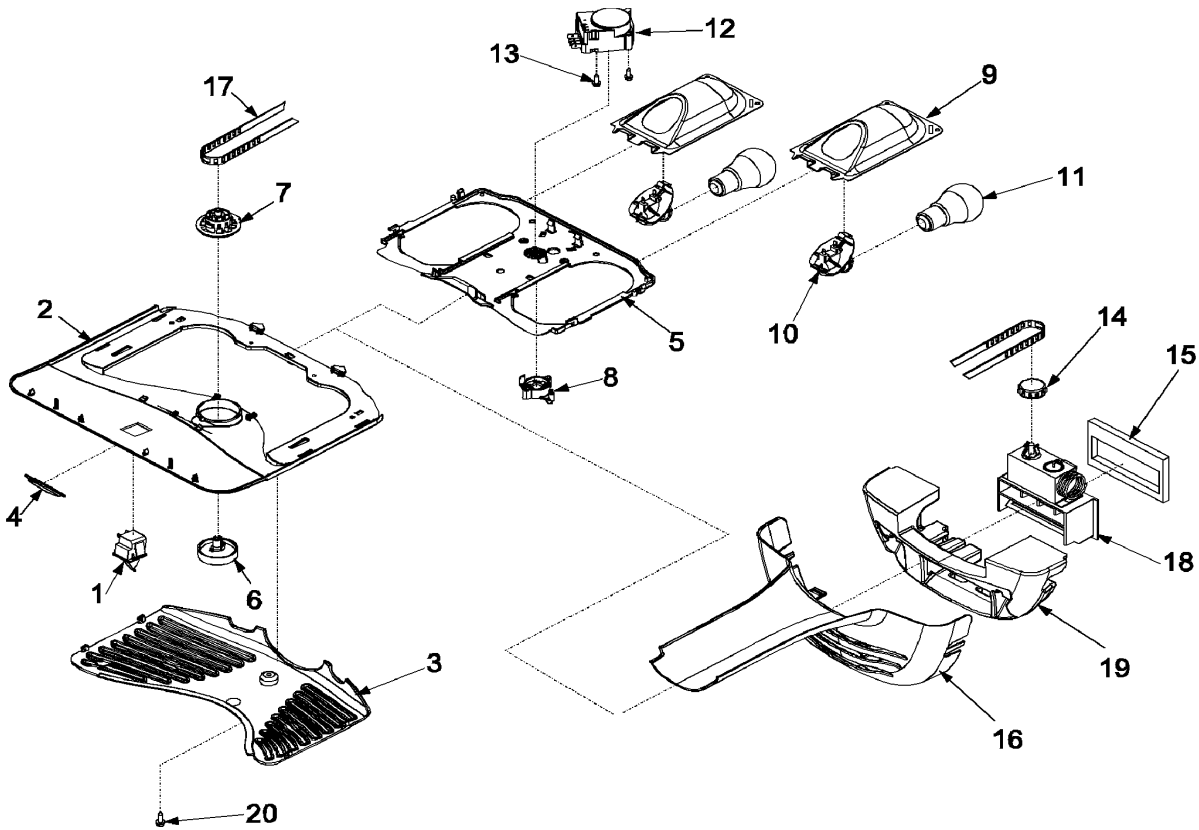
Section: FREEZER DOOR

No.	Part No.	Description	Series Qty
1	10961001	BUSHING, DOOR (WHT)	4
2	67001147	FZ DR FOAM ASSY (WHT)	1
3	M0211533	SCREW, MOUNTING	2
4	12683802W	GASKET, FZ DR (WHT)	1
5	A3080002	PLUG, BUTTON (WHT)	1
6	10447108	STOP, DOOR (WHT)	1
7	67001015	PLUG, BUTTON (WHT)	2
8	67003397	RETAINER, FRZ DOOR Note: EFFECTIVE 3/28/03 PER ECN 65433 USE 67003397 RETAINER FZ DOOR. NO END CAPS ARE USED WITH THE RETAINER.	1
8	67001662	BASKET, FZ FIXED	1
9	67001026	END CAP, FZ DR BSKT	1
10	67001027	END CAP, FZ DR BSKT	1
11	12610802W	HANDLE, FZ DR (WHT)	1
12	M0211533	SCREW, MOUNTING	2
13	10200801	PIN, HINGE (BTM)	1
14	M0274057	SHIM, NON METAL (WHT)	1
15	12246601	PLUG, HANDLE HOLE (WHT)	2

*Color Code (-)=Not Shown #=Series, Serial Prefix or Run No., N=Not Available

Section: CONTROLS

Model: ARB1905CW_PARB1905CW0



AA40-1

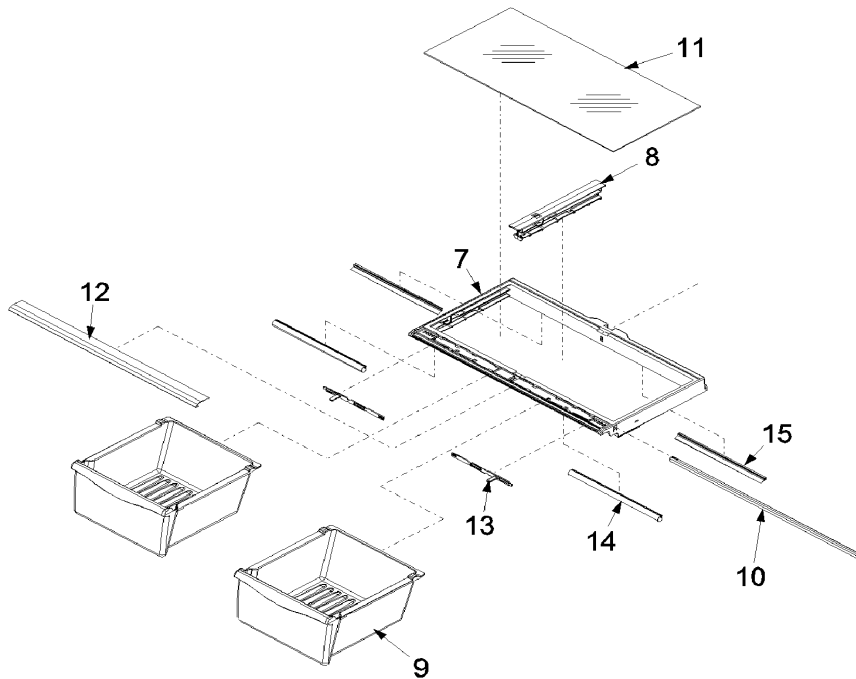
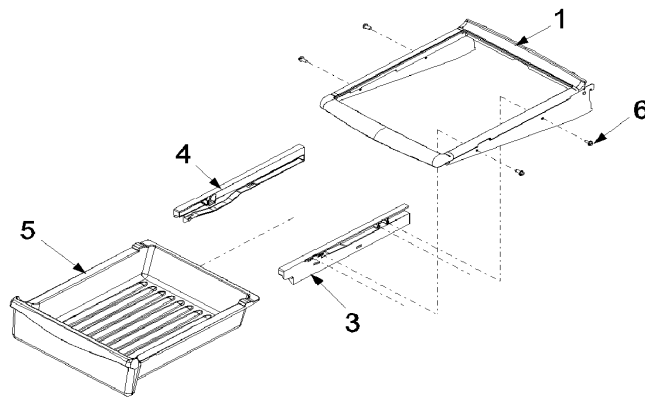
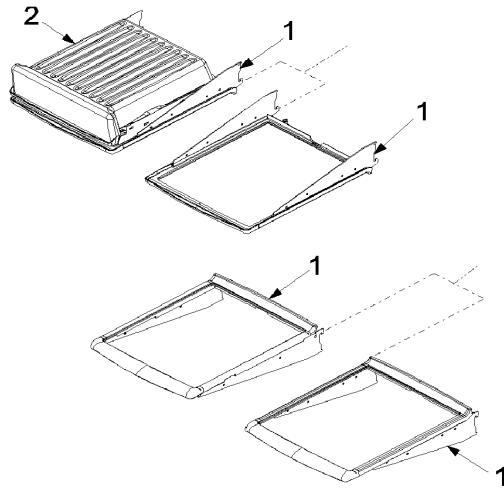
Section: CONTROLS

No.	Part No.	Description	Series Qty
1	C3680310	SWITCH, LIGHT	1
2	67001028	MODULE, LIGHT	1
3	67001029	COVER, REF LIGHT	1
4	67001999	LOGO, LIGHT MODULE	1
5	67001031	PAN, TIMER/LIGHT HOUSING	1
6	67002158	KNOB, FRONT DAMPER	1
7	67001033	KNOB, GEAR	1
8	67001034	TENSIONER, BELT	1
9	67001035	HOUSING, LIGHT	2
10	12570701	SOCKET, LIGHT	2
11	A0282803	BULB, LIGHT (40 WATT)	2
12	67001036	TIMER, DEFROST	1
13	M0216705	SCREW	2
14	67001037	GEAR, DAMPER	1
15	67001038	GASKET, DAMPER	1
16	67002000	COVER, DAMPER	1
17	67001040	BELT, DAMPER	1
18	67001041	CONTROL, DAMPER	1
19	67001042	INSULATION, DAMPER	1
20	M0211018	SCREW, SM	1
21	67001285	COVER, FZ LIGHT	1
22	67001286	MODULE, FZ CONTROL	1
23	67001045	PANEL, FZ CONTROL MOUNTING	1
24	67001046	CONTROL, FZ TEMPERATURE	1
25	67001321	KNOB, FZ CONTROL	1
26	67001035	HOUSING, LIGHT	1
27	12570701	SOCKET, LIGHT	1
28	A0282803	BULB, LIGHT (40 WATT)	1
29	12466101	SWITCH, LIGHT/INTRLK	1
-	67001043	HARNESS, FF MODULE	1
-	67001049	HARNESS, FZ MODULE	1

*Color Code (-)=Not Shown #=Series, Serial Prefix or Run No., N=Not Available

Section: REFRIGERATOR SHELVING

Model: ARB1905CW_PARB1905CW0



AA46-13

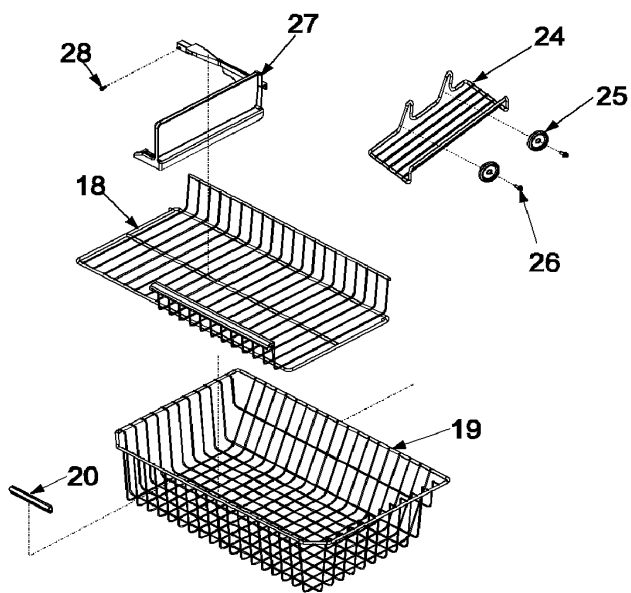
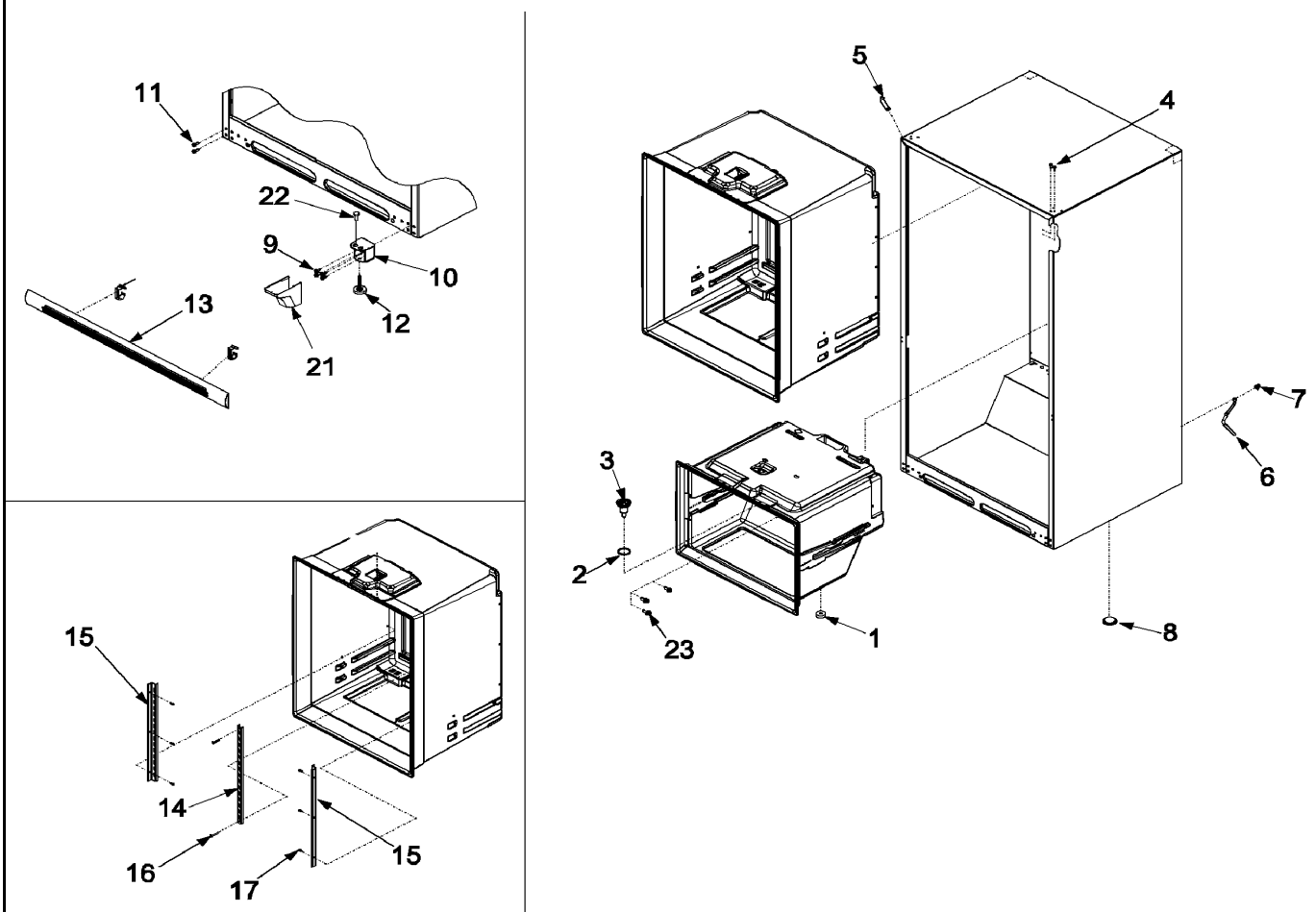
Section: REFRIGERATOR SHELVING

No.	Part No.	Description	Series Qty
1	67001942	SHELF, STATIONARY	4
2	67002303	DELI ASSY	1
3	67001053	GLIDE (RT)	1
4	67001054	GLIDE (LT)	1
5	67001308	PAN, DELI	1
6	M0214931	SCREW	4
7	67001153	FRAME, CRISPER	1
8	67001057	RAIL, CENTER CRISPER	1
9	67001309	PAN, CRISPER	2
10	67001155	BRACE, CRISPER E-CT	1
11	67001156	GLASS, CRISPER	1
12	67002272	EXTRUSION, CRISPER FRONT	1
13	67001158	SEAL, FRONT CRISPER	1
14	67002274	SEAL, REAR CRISPER	2
- N	67002302	CRISPER ASSY	1

*Color Code (-)=Not Shown #=Series, Serial Prefix or Run No., N=Not Available

Section: INTERIOR CABINET & FREEZER SHELVING

Model: ARB1905CW_PARB1905CW0



AA43-11

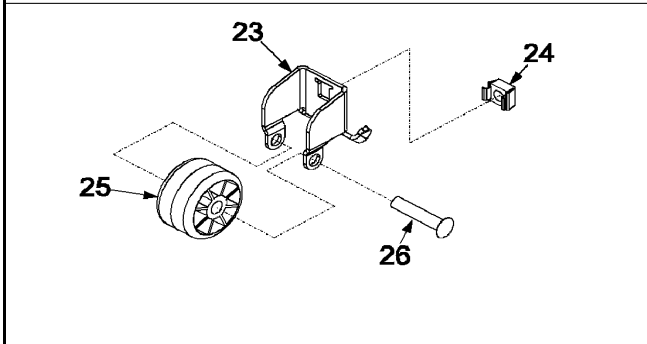
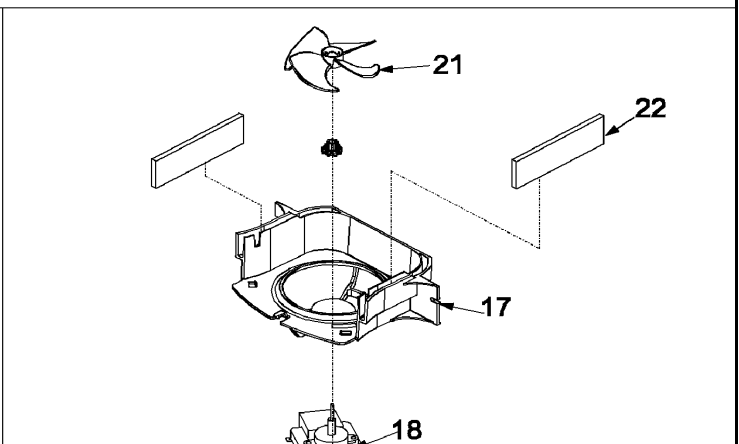
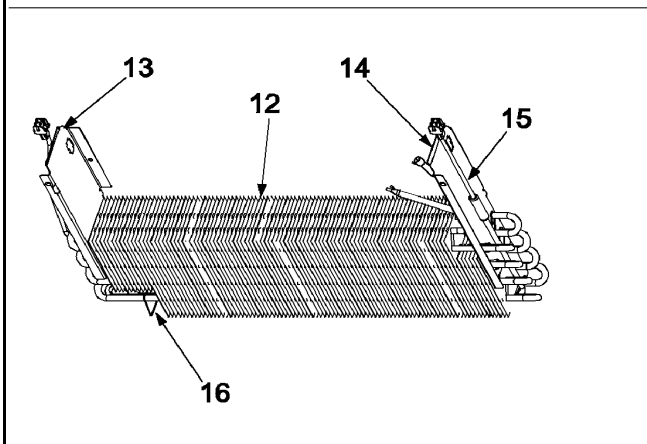
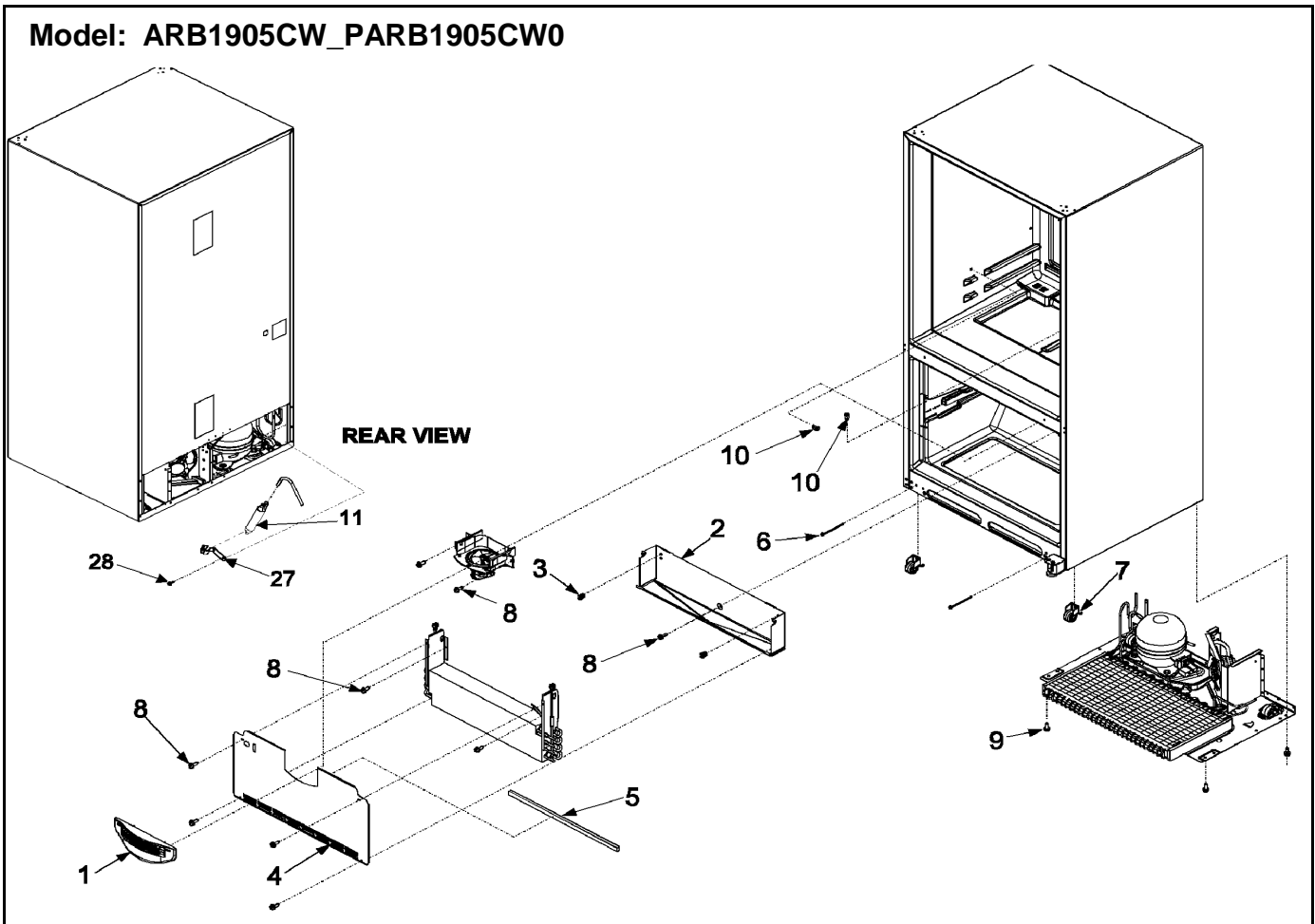
Section: INTERIOR CABINET & FREEZER SHELVING

No.	Part No.	Description	Series Qty
1	B8381501	GASKET, DRAIN TUBE	1
2	M0500703	SEAL, O RING	1
3	D7753903	FUNNEL, DRAIN	1
4	N A4539607	POP RIVET	5
5	12587702W	COVER, CORNER (WHT)	2
6	67001066	TUBE, DRAIN	1
7	67001067	CLIP, DRAIN TUBE	1
8	A3076901	PLUG, BUTTON	1
9	M0241508	SCREW, SM	4
10	67001069	HINGE, BOTTOM E-CT (WHT)	1
11	M0233847	SCREW	2
12	10354001	BRAKE, FOOT	1
13	67002176	TOE GRILLE ASSY (WHT) Note: INCLUDES 12627302 CLIPS	1
14	67001073	LADDER, CENTER	1
15	67001302	LADDER, SIDES	2
16	M0231425	SCREW	2
17	M0238642	SCREW, SM	6
18	67001165	SHELF, GLIDE FZ	1
19	67001166	BASKET, LOWER FZ	1
20	10508506	HANDLE, BASKET/SHELF	1
21	12561901W	COVER, LWR HINGE (WHT)	1
22	M0310343	PLUG, BUTTON (WHT)	1
23	M0210816	SCREW, SM	1
24	12646501	RACK, ICE TRAY	1
25	10972101	SPACER, ICE RACK	2
26	M0230919	SCREW	2
27	67001723	DIVIDER, BASKET (UPPER)	1
28	67001310	SCREW	1

*Color Code (-)=Not Shown #=Series, Serial Prefix or Run No., N=Not Available

Section: EVAPORATOR AREA & ROLLERS

Model: ARB1905CW_PARB1905CW0



AA42-5

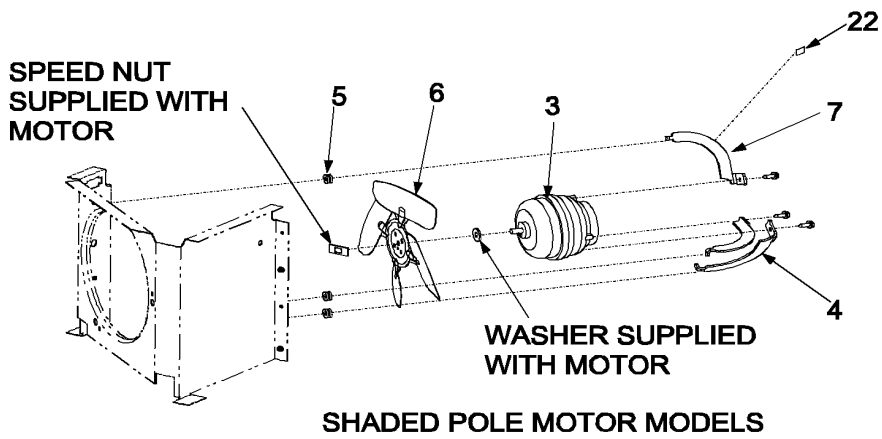
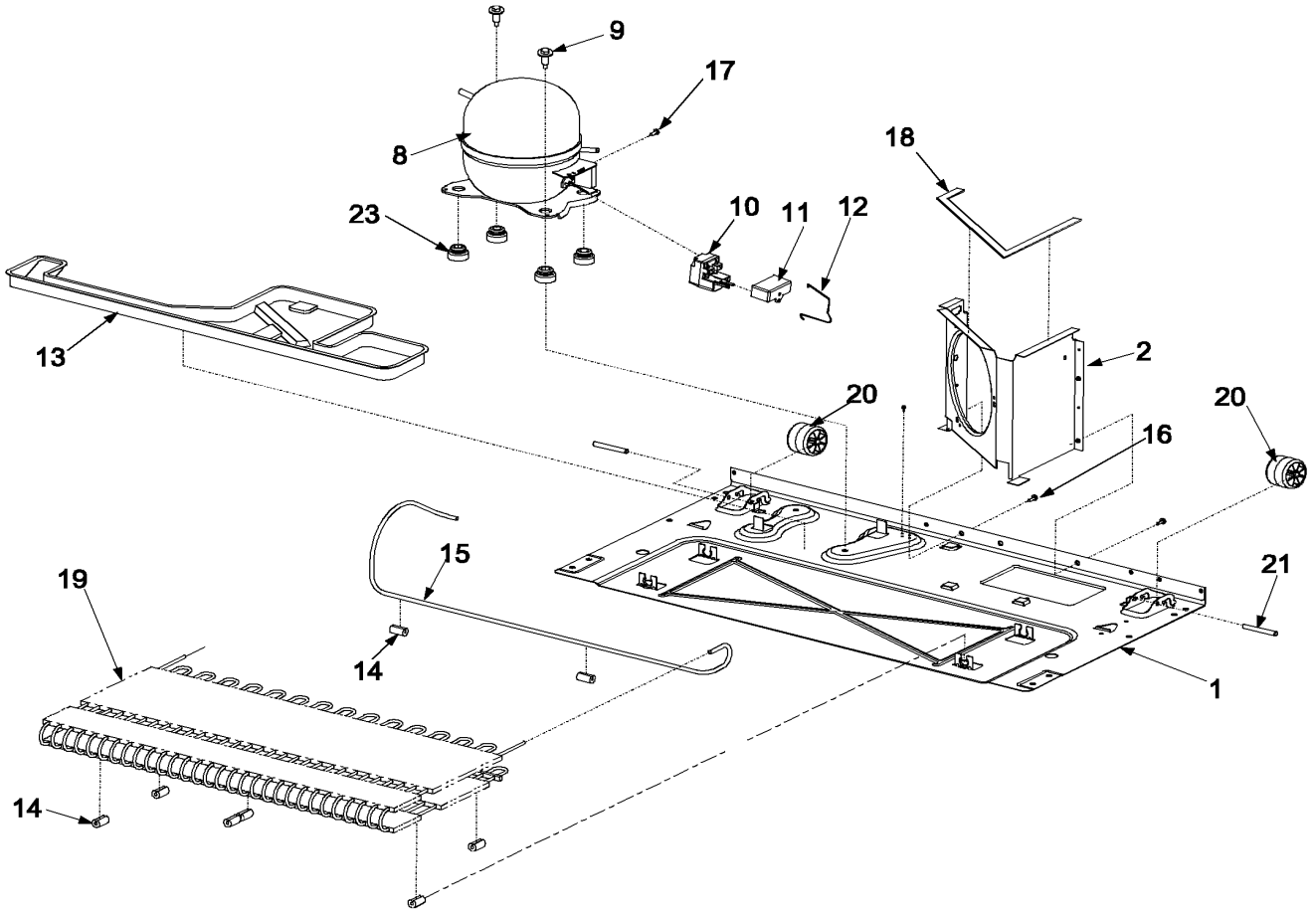
Section: EVAPORATOR AREA & ROLLERS

No.	Part No.	Description	Series	Qty
1	67001079	GRILLE, FZ AIR**		1
2	67001133	TRAY, DRIP E-CT		1
3	10623002	CLIP, EVAPORATOR		2
4	67001134	COVER, EVAPORATOR		1
5	67002286	GASKET		1
6	12606102	BOLT, ROLLER ADJ		2
7	67002227	ROLLER BRACKET ASSY		2
8	M0238616	SCREW, SM		5
9	M0260242	SCREW, TF		4
10	M0580205	GROMMET, SCREW		3
11	B2150504	DRIER		1
12	12002051	KIT, EVAPORATOR Note: INCLUDES HEAT SHIELD, INSTRUCTION SHEET, AND EVAPORATOR		1
13	67001083	DAM, LEFT RETURN		1
14	67001084	DAM, RIGHT RETURN		1
15	67002135	HEATER, DEFROST		1
16	10428101	CLIP, EVAP HEATER		2
17	67001086	SHROUD, EVAP FAN		1
18	67001087	MOTOR, EVAP FAN		1
19	12217805	CLIP, EVAP MOTOR		1
20	12619301	GROMMET, FAN MOTOR		2
21	12217201	FAN, EVAPORATOR		1
22	67001291	GASKET, FOAM		1
23	12456801	BRACKET, ROLLER		1
24	M0286708	NUT, SPEED		1
25	10450602	ROLLER		1
26	M1205302	RIVET		1
27	10547002	CLIP, DRIER		1
28	M0220617	SCREW		1
-	67002008	HARNES, EVAP HEATER		1
-	12001937	THERMOSTAT KIT Note: INCLUDES THERMOSTAT AND 2 WIRENUTS.		1

*Color Code (-)=Not Shown #=Series, Serial Prefix or Run No., N=Not Available

Section: COMPRESSOR

Model: ARB1905CW_PARB1905CW0



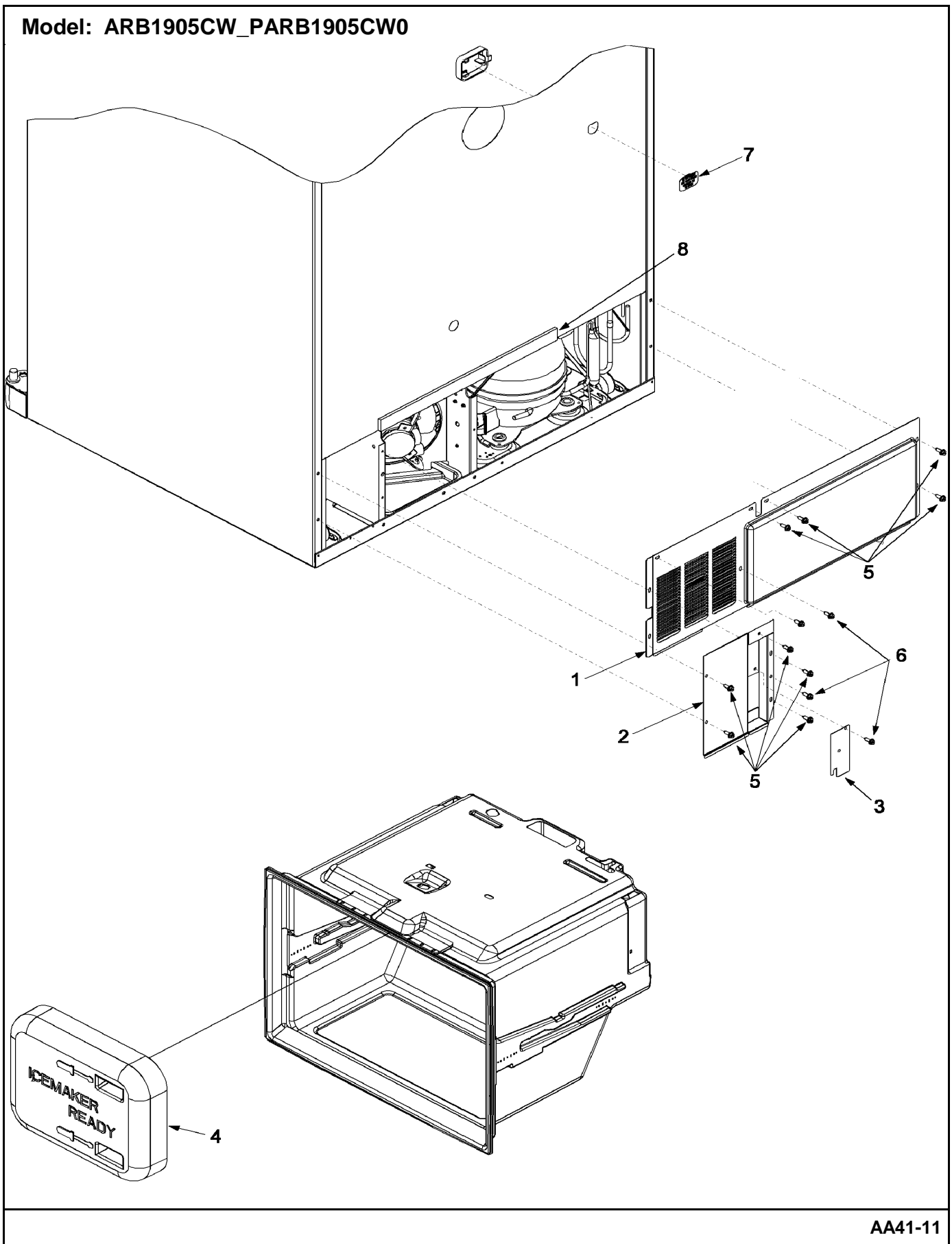
Section: COMPRESSOR

No.	Part No.	Description	Series Qty
1	67001170	BASEPAN, MACHINE COMPARTMENT	1
2	67001090	SHROUD, CONDENSER FAN	1
3	10884507	MOTOR, CONDENSER FAN	1
4	67001311	BRACKET, COND MTR	3
5	12578701	GROMMET, FAN BRKT	3
6	12587601	BLADE, COND FAN	1
7	M0223816	SCREW, TR	3
8	12049717	COMPRESSOR, TC TPE1380Y	1
9	N M0221523	SCREW, SHLDR	2
10	12555902	OVERLOAD, RELAY	1
11	C8931612	CAPACITOR	1
12	12576801	STRAP, BALE	1
13	67001091	PAN, DRAIN	1
14	12578601	GROMMET, CONDENSER	7
15	67001171	TUBE, DISCHARGE	1
16	M0238616	SCREW, SM	2
17	M0231604	SCREW, TF	2
18	61003210	SEAL	1
19	67001172	CONDENSER, E-CT	1
20	67001094	ROLLER	2
21	67001095	AXLE, ROLLER	2
22	67001096	GASKET, PROTECTIVE	3
23	10835901	GROMMET, COMPRESSOR	4
-	67001312	HARNESS, MC	1

*Color Code (-)=Not Shown #=Series, Serial Prefix or Run No., N=Not Available

Section: CABINET BACK

Model: ARB1905CW_PARB1905CW0



AA41-11

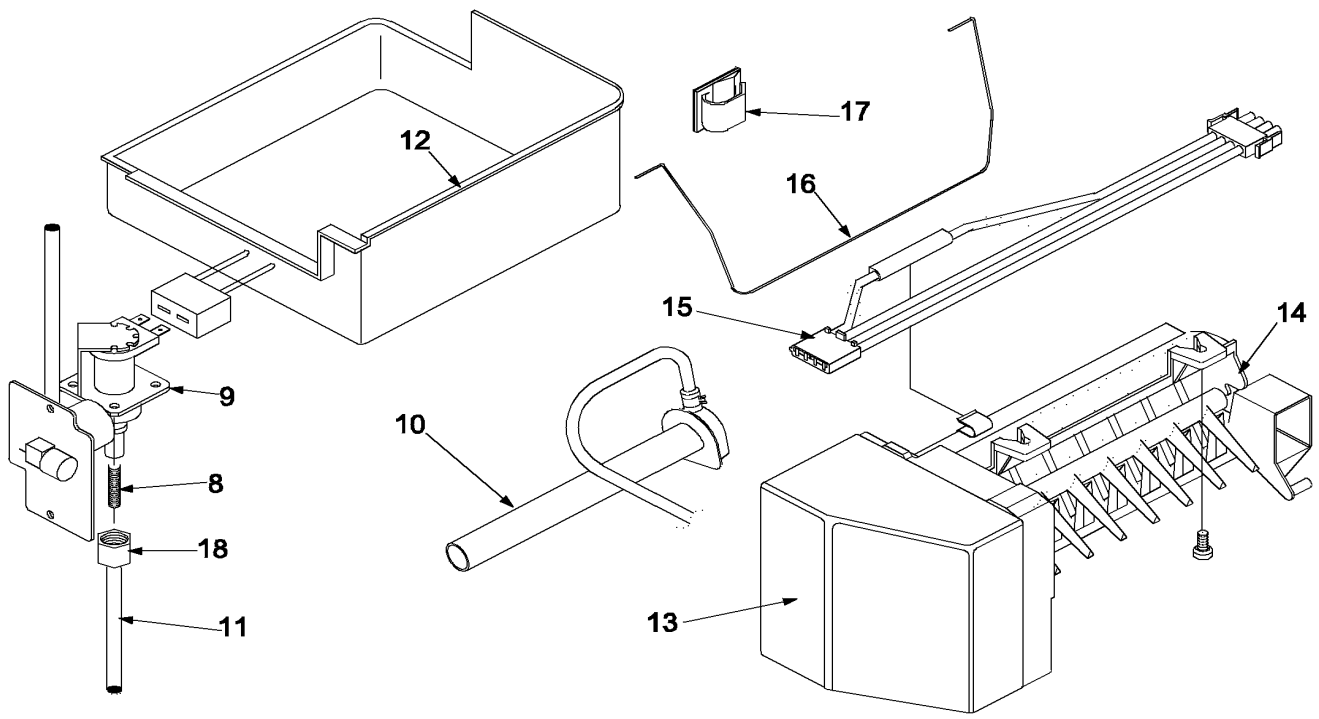
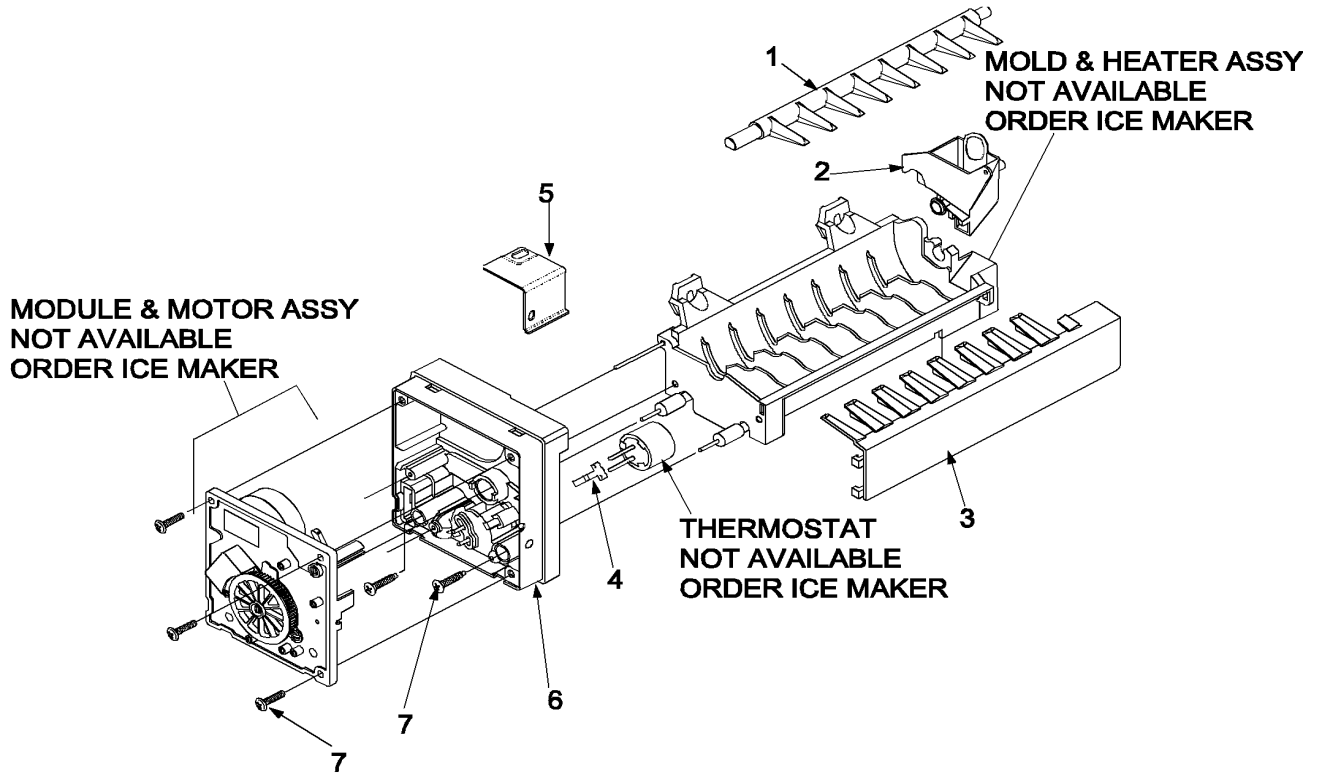
Section: CABINET BACK

No.	Part No.	Description	Series Qty
1	12575101ED	BACK, MACH COMP	1
2	67001173	COVER, WATER VALVE	1
3	12479901	PLATE, COVER	1
4	67001098	COVER, FILL TUBE/PLUG	1
5	M0238616	SCREW, SM	9
6	M0251015	SCREW	3
7 N	67002306	LABEL, FILL TUBE	1
8	B5759649	GASKET, MC BACK	1
-	12583301	CORD, POWER	1

*Color Code (-)=Not Shown #=Series, Serial Prefix or Run No., N=Not Available

Section: OPTIONAL ICE MAKER KIT IC11B P1328003W

Model: ARB1905CW_PARB1905CW0



Section: OPTIONAL ICE MAKER KIT IC11B P1328003

No.	Part No.	Description	Series Qty
1	95101-1	EJECTOR, ICE	1
2	95100-1	INLET, WATER	1
3	95102-1	STRIPPER, ICE	1
4	95104-1	RETAINER, THERMOSTAT	1
5	95107-1	BRACKET, MODULE & HEATER	1
6	95103-1	SUPPORT, MODULE HOUSING	1
7	95106-1	SCREW	4
8	A1055105	SPRING, ANTI KINK	1
9	67001241	VALVE, WATER	1
10	10463201	ELBOW, FILL TUBE	1
11	B5705323	TUBE, PLASTIC	1
12	67001255	PAN, ICE	1
13	10519807	COVER, ICE MAKER	1
14	D7824706	ICE MAKER	1
15	67001189	HARNESS, ICE MAKER	1
16	67001257	ARM, ICE MAKER	1
17	M0104106	CLIP	1
18	M0753001	NUT, SLEEVE	1
- N	10549601	LABEL, CAUTION (ICE MAKER)	1
-	M0108105	CLAMP, TUBE	1
-	95108-1	SCREW, BRACKET	1
-	67001258	RETAINER, TUBE	1
-	M0251015	SCREW	1
-	A3223101	INSERT, PLASTIC TUBE	1
-	M0114003	CLIP, SPEED	1
-	10244904	COUPLING	1
-	M0104102	CLIP, CORD	1
-	R0131235	ICE MAKER HOOK UP KIT Note: KIT SOLD SEPERATELY. INCLUDES 1/4" OD X 25' COPPER TUBING, SADDLE VALVE (NON PIERCING), AND 1/4" OD COMPRESSION NT ANDSLEEVE.	1

*Color Code (-)=Not Shown #=Series, Serial Prefix or Run No., N=Not Available

Section: SUPPLEMENTAL INFORMATION

No.	Part No.	Description	Series Qty
-	67002057	SHEET, TECH DATA	1
-	67002009	MANUAL, OWNERS	1
-	67002388	TAG, ENERGY	1
-	R0131235	ICE MAKER HOOK UP KIT Note: KIT SOLD SEPERATELY. INCLUDES 1/4" OD X 25' COPPER TUBING, SADDLE VALVE (NON PIERCING), AND 1/4" OD COMPRESSION NUT AND SLEEVE.	1

*Color Code (-)=Not Shown #=Series, Serial Prefix or Run No., N=Not Available

Free Manuals Download Website

<http://myh66.com>

<http://usermanuals.us>

<http://www.somanuals.com>

<http://www.4manuals.cc>

<http://www.manual-lib.com>

<http://www.404manual.com>

<http://www.luxmanual.com>

<http://aubethermostatmanual.com>

Golf course search by state

<http://golfingnear.com>

Email search by domain

<http://emailbydomain.com>

Auto manuals search

<http://auto.somanuals.com>

TV manuals search

<http://tv.somanuals.com>