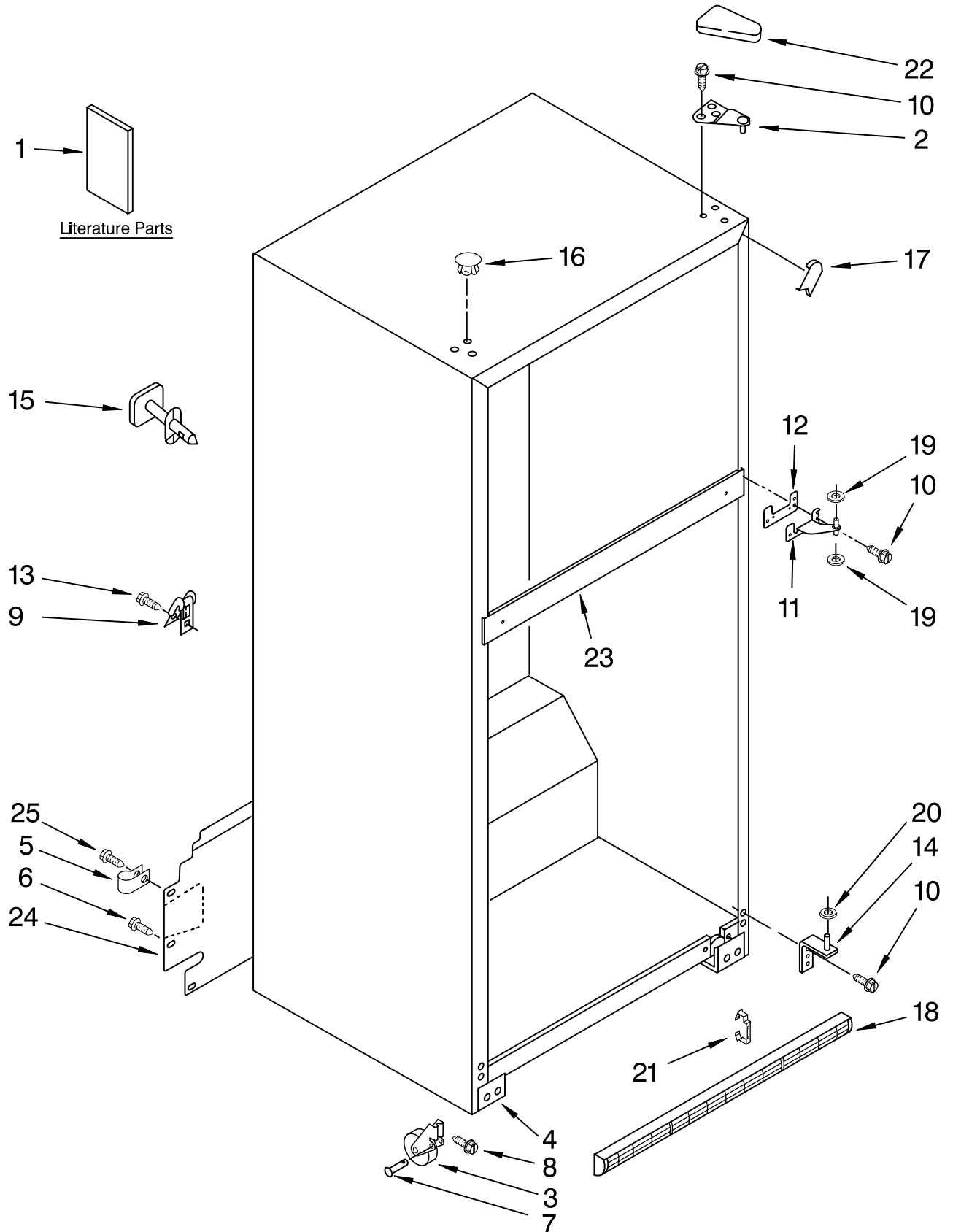


For Models: M1TXEMMW02, M1TXEMMW02, M1TXEMMWS02, M1TXEMMWQ02
(White) (Black) (Stainless Steel) (Biscuit)



FOR ORDERING INFORMATION REFER TO PARTS PRICE LIST

CABINET PARTS

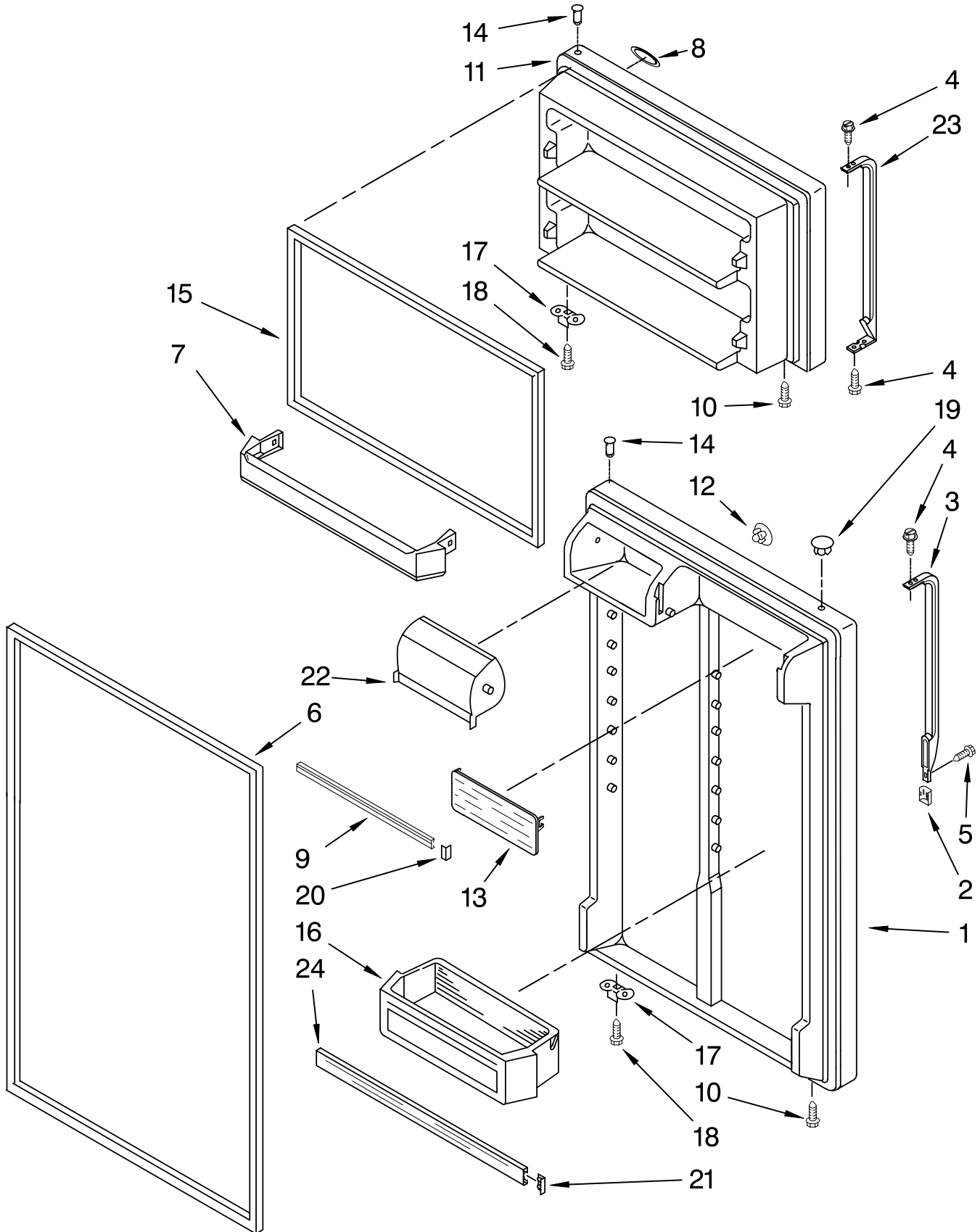
For Models: M1TXEMMW02, M1TXEMMB02, M1TXEMMWS02, M1TXEMMWQ02
(White) (Black) (Stainless Steel) (Biscuit)

| Illus. No. | Part No. | DESCRIPTION | Illus. No. | Part No. | DESCRIPTION | Illus. No. | Part No. | DESCRIPTION |
|--------------------------------------|-----------|---------------------------------|------------|----------|------------------------------------|------------|-----------|-----------------------------|
| 1 | | Literature Parts | 4 | | Cabinet (Not a Serviceable Part) | 17 | | Corner Filler (2) |
| | W10142143 | Service & Wiring Sheet | 5 | 489385 | Clamp, Tube (Water Supply Line) | | W10283959 | White |
| | W10251542 | Energy Label | 6 | 489442 | Screw | | W10283960 | Black |
| | W10249206 | Bilingual Use & Care Guide | 7 | 2179826 | Rivet | | 2200926 | Biscuit |
| | W10249207 | Trilingual | 8 | 3400504 | Screw | 18 | | Grille (Includes Illus. 21) |
| | 2225623 | Modular Icemaker Service Sheet | 9 | 549193 | Clamp, Cord | | 2254313 | White |
| Following May Be Purchased | | | 10 | 489497 | Screw | | 2254315 | Black |
| DO-IT-YOURSELF REPAIR MANUALS | | | 11 | 2254618 | Hinge, Center | | 2254316 | Biscuit |
| | 677969 | Do-It-Yourself Manual Ref./Frz. | 12 | 2183852 | Shim, Hinge Center | 19 | 489341 | Washer |
| 2 | 2189410 | Hinge (Top) | 13 | 8281265 | Screw | 20 | 487576 | Washer |
| 3 | 2166108 | Roller, Front (2) | 14 | 2254473 | Hinge Butt | 21 | 2189356 | Clip, Grille (2) |
| | | | 15 | | Fitting, Water Tube (Not Serviced) | 22 | | Cover, Hinge |
| | | | 16 | | Hole Plug (6) | | 2213360 | White |
| | | | | 2201012 | White | | 2213363 | Black |
| | | | | 2183998 | Black | 23 | | Rail, Center (Not Serviced) |
| | | | | 2200924 | Biscuit | 24 | 2254576 | Cover, Unit |
| | | | | | | 25 | 489427 | Screw |

FOR ORDERING INFORMATION REFER TO PARTS PRICE LIST

DOOR PARTS

For Models: M1TXEMMW02, M1TXEMMB02, M1TXEMMW02, M1TXEMMWQ02
(White) (Black) (Stainless Steel) (Biscuit)



FOR ORDERING INFORMATION REFER TO PARTS PRICE LIST

DOOR PARTS

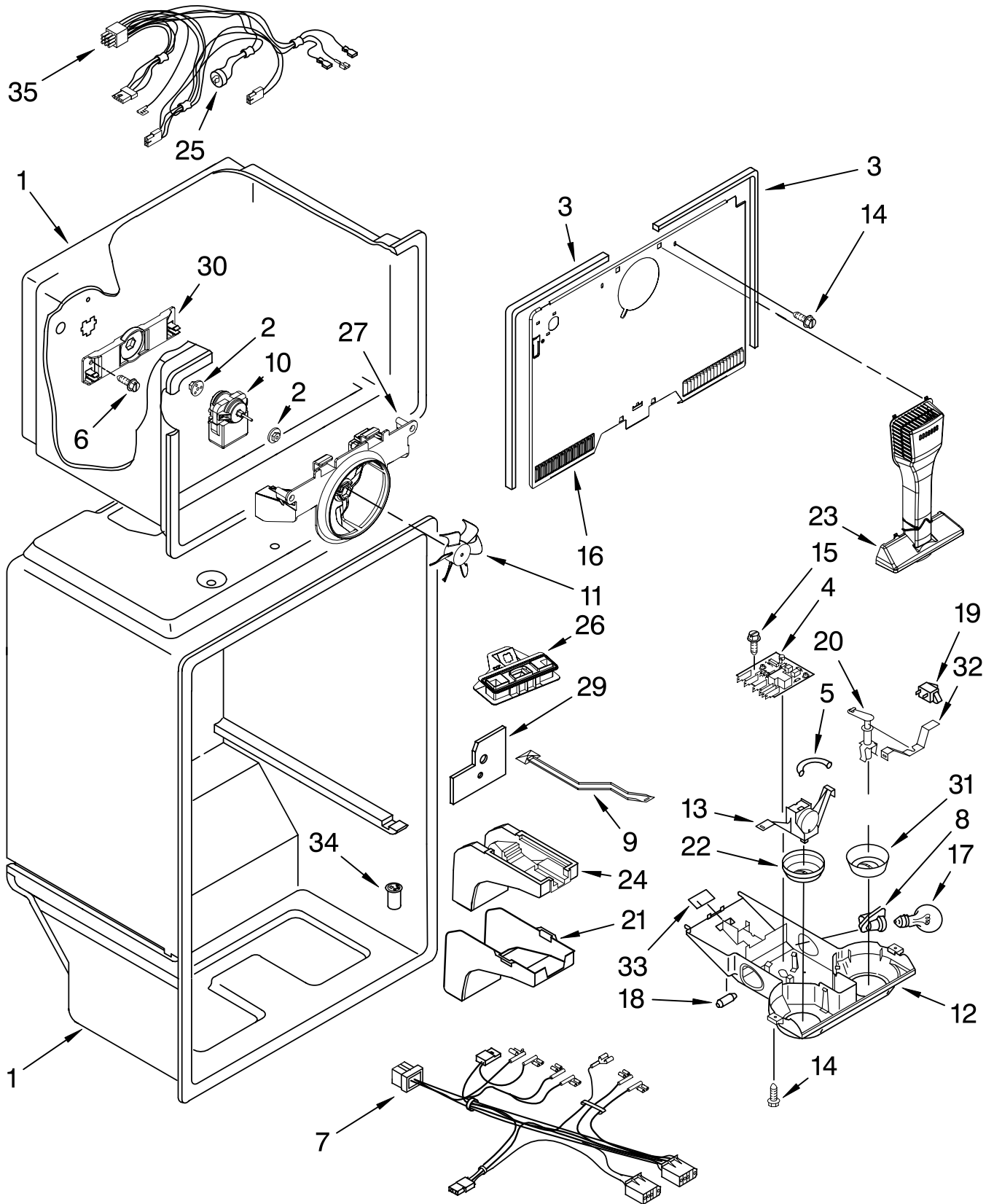
For Models: M1TXEMMW02, M1TXEMWB02, M1TXEMWS02, M1TXEMWQ02
 (White) (Black) (Stainless Steel) (Biscuit)

| Illus. No. | Part No. | DESCRIPTION | Illus. No. | Part No. | DESCRIPTION | Illus. No. | Part No. | DESCRIPTION |
|------------|-----------|--|------------|-----------|--|------------|-----------|---------------------------|
| 1 | | Refrigerator Door (Includes Illus. 6 & 14) | 7 | 2195378 | Trim | 16 | 2204812 | Bin, Door Shelf |
| | 2183920 | White | 8 | W10170766 | Nameplate | 17 | 2189202 | Bracket, Door Stop (2) |
| | 2200714 | Black | 9 | 2195947 | Trim, Door Shelf | 18 | 488921 | Screw |
| | W10271883 | Stainless Steel | 10 | 8281206 | Screw | 19 | | Hole Plug |
| | 2205284 | Biscuit | 11 | | Freezer Door (Includes Illus. 14 & 15) | | 2212648 | White |
| 2 | | Handle, Trim | | 2182489 | White | | 2212651 | Black |
| | 2193143W | White | | 2200711 | Black | | 2212649 | Biscuit |
| | 2193143B | Black | | W10271885 | Stainless Steel | 20 | 2195916 | Plug, Trim |
| | 2193143T | Biscuit | | 2204686 | Biscuit | 21 | 2156006 | Plug, Trim |
| 3 | | Handle, Refrigerator | 12 | | Hole Plug, Handle | 22 | 2218118 | Compartment Door |
| | 2254533W | White | | 2189000 | White | 23 | | Handle, Freezer |
| | 2254533B | Black | | 2189009 | Black | | W10291249 | White |
| | 2254533T | Biscuit | | 2200936 | Biscuit | | W10292303 | Black |
| 4 | 489357 | Screw | 13 | 2188236 | Shelf, Flip-Up | | W10292304 | Biscuit |
| 5 | 8281146 | Screw | 14 | 2314293 | Thimble | 24 | 2195948 | Trim, Door |
| 6 | | Door Gasket, Magnetic | 15 | | Door Gasket, Magnetic | | | |
| | 2202875 | Mist Beige | | 2214967 | Mist Beige | | | |
| | 2202882 | Black | | 2214969 | Black | | | |

FOR ORDERING INFORMATION REFER TO PARTS PRICE LIST

LINER PARTS

For Models: M1TXEMMW02, M1TXEMMB02, M1TXEMMWS02, M1TXEMMQ02
 (White) (Black) (Stainless Steel) (Biscuit)



FOR ORDERING INFORMATION REFER TO PARTS PRICE LIST

LINER PARTS

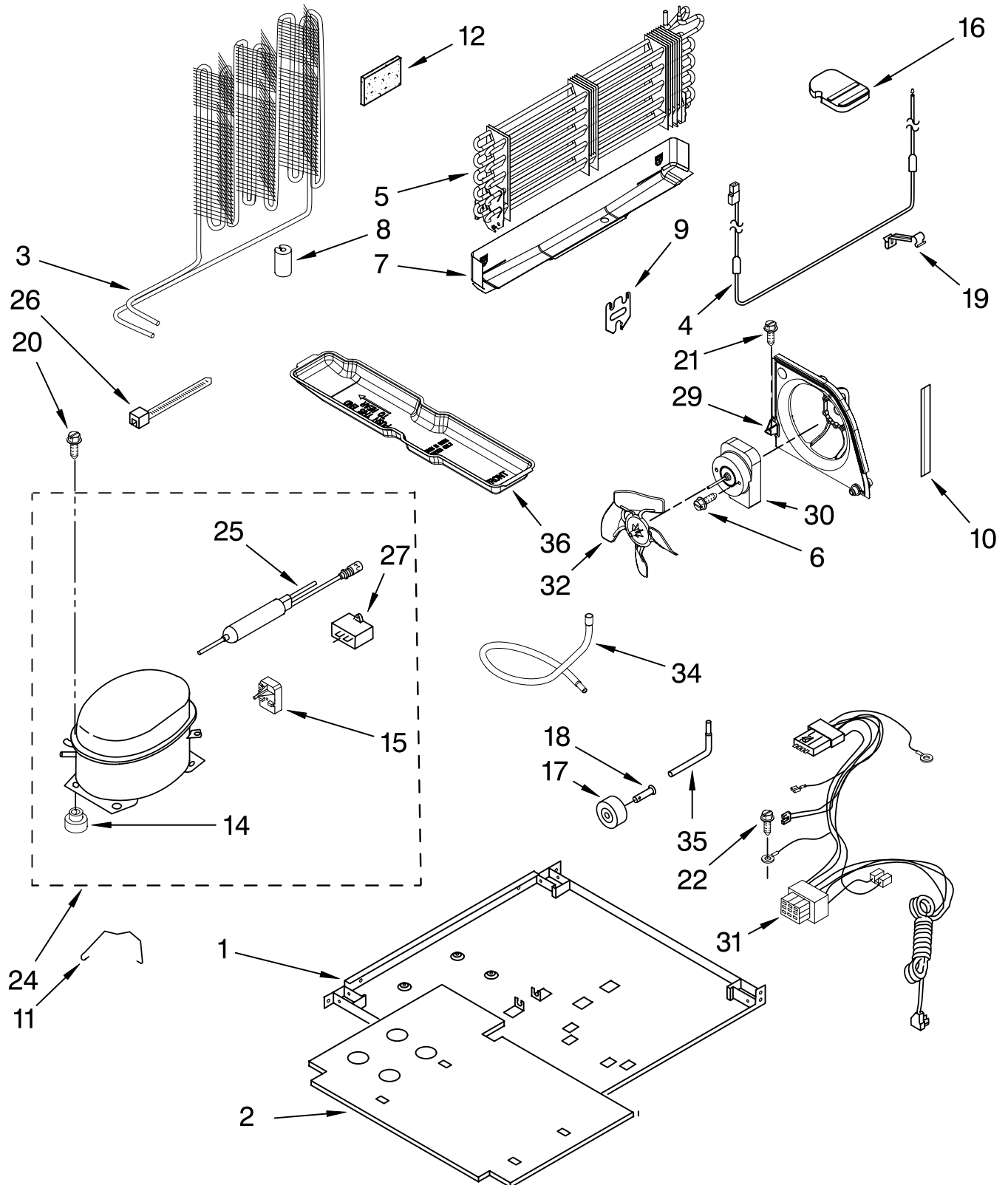
For Models: M1TXEMMW02, M1TXEMMB02, M1TXEMMWS02, M1TXEMMQ02
 (White) (Black) (Stainless Steel) (Biscuit)

| Illus. No. | Part No. | DESCRIPTION |
|------------|-----------|---|
| 1 | | Liner (Not A Serviceable Part) |
| 2 | 2197380 | Grommet (2) |
| 3 | 2254360 | Gasket, Evaporator Cover (2) |
| 4 | 2304099 | Defrost Timer |
| 5 | 2212485 | Thermostat Tube Barrier |
| 6 | 488208 | Screw |
| 7 | 2310057 | Wire Assembly, Control Box |
| 8 | 2162085 | Socket, Light |
| 9 | 2179858 | Damper, Air |
| 10 | W10208121 | Fan Motor |
| 11 | 2163777 | Fan Blade |
| 12 | 2212982 | Control Box |
| 13 | W10225856 | Thermostat Assy. (Includes Illus. 5 & 18) |
| 14 | 8534009 | Screw |
| 15 | 2304099 | Screw |
| 16 | 2320194 | Cover, Evaporator |
| 17 | 527949 | Light Bulb (2) |
| 18 | 2200831 | Weight, Thermal |
| 19 | 1118894 | Switch, Rocker Arm |
| 20 | 2179859 | Post, Damper |
| 21 | 2176281 | Cover, Air Diffuser |
| 22 | 2200863 | Knob, Thermostat |
| 23 | 2254354 | Air Tower |
| 24 | 2189452 | Air Diffuser, Bottom |
| 25 | 2321800 | Defrost, BI-Metal |
| 26 | 2204690 | Air Separator Assembly |
| 27 | 2254453 | Bracket, Fan Motor |
| 29 | 2204639 | Shield, Heat |
| 30 | 2254454 | Bracket Evap. Fan, Rear |
| 31 | 2302536 | Knob, Damper |
| 32 | 2163810 | Bracket, Damper Knob |
| 33 | 2205079 | Seal, Rear Thermostat |
| 34 | 2171931 | Valve-Tube, Body |
| 35 | W10129803 | Wire Assembly, Freezer Compartment (Includes Illus. 25) |

FOR ORDERING INFORMATION REFER TO PARTS PRICE LIST

UNIT PARTS

For Models: M1TXEMMW02, M1TXEMMWB02, M1TXEMMWS02, M1TXEMMWQ02
 (White) (Black) (Stainless Steel) (Biscuit)



FOR ORDERING INFORMATION REFER TO PARTS PRICE LIST

UNIT PARTS

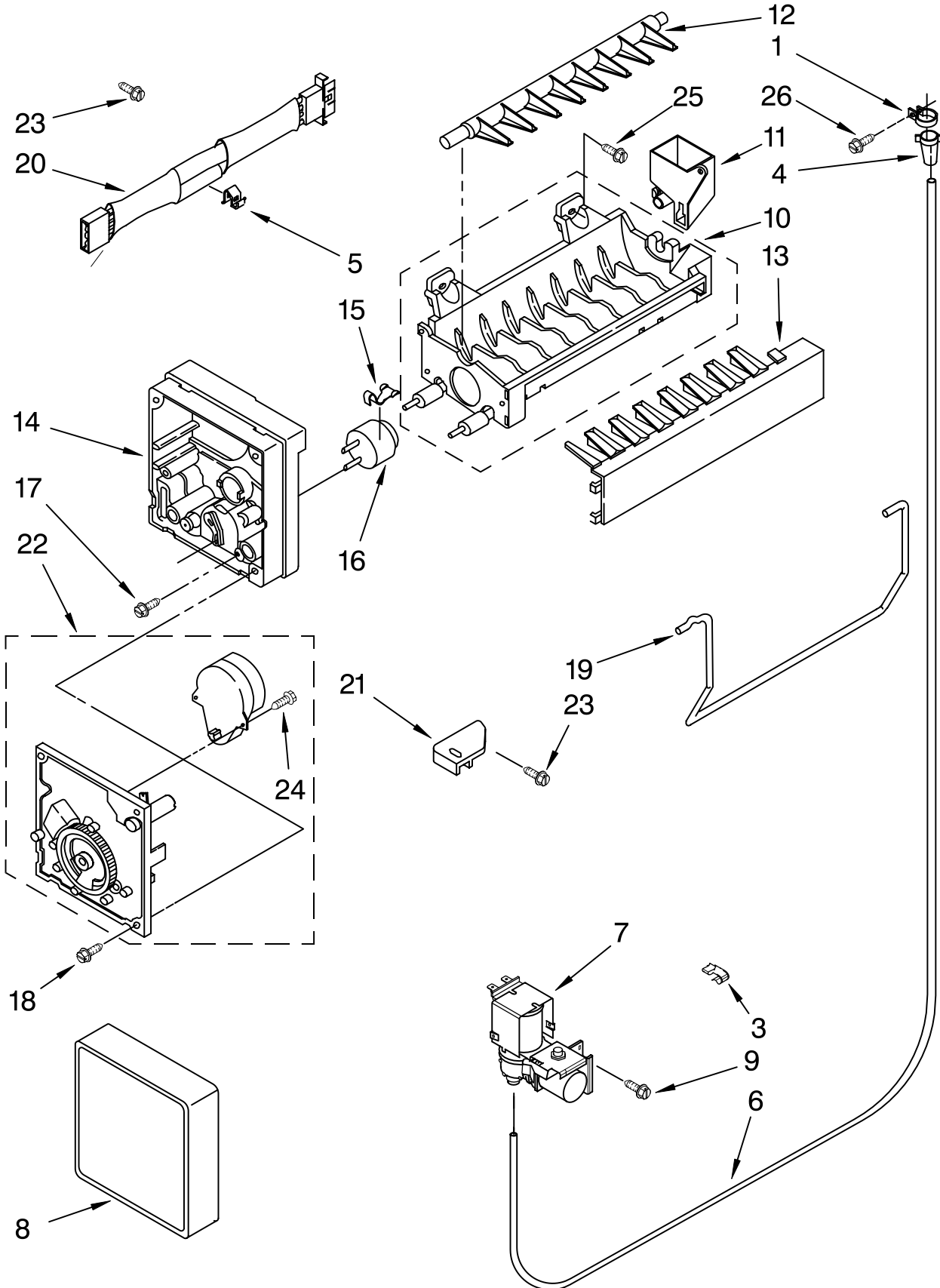
For Models: M1TXEMMW02, M1TXEMMWB02, M1TXEMMWS02, M1TXEMMWQ02
(White) (Black) (Stainless Steel) (Biscuit)

| Illus. No. | Part No. | DESCRIPTION | Illus. No. | Part No. | DESCRIPTION | Illus. No. | Part No. | DESCRIPTION |
|------------|-----------|--|------------|-----------|--|---|----------|-----------------------|
| 1 | 2320187 | Plate, Unit Mounting | 18 | 2221797 | Rivet | <hr/> Following Parts Not Illustrated and Optional Parts Not Included <hr/> | | |
| 2 | 2214857 | Insulation | 19 | 2182338 | Clip, Heater | | | |
| 3 | W10268878 | Condenser | 20 | 489373 | Screw | | | |
| 4 | W10140847 | Heater, Defrost | 21 | 3400518 | Screw | | | |
| 5 | 2254249 | Evaporator Assy. | 22 | 488500 | Screw | | | |
| 6 | 8533961 | Screw | 24 | W10164016 | Compressor (Includes Illus. 14,25,27) | | | |
| 7 | 2254295 | Drain Pan | | | (Also Order 482801 Installation Kit & 876765 Tube Kit) | | | |
| 8 | 2319835 | Grommet-Cond-(4) | 25 | | Drier | | | |
| 9 | 2176301 | Bracket, Heater | | | Service | | | |
| 10 | 2300638 | Extension, Air Baffle | | | Clamp | | | |
| 11 | W10174384 | Strap | 26 | W10177049 | Service | 978025 | | Valve, Access (1/4") |
| 12 | 2169104 | Insulation | 27 | 2155774 | Capacitor | 978026 | | Valve, Access (5/16") |
| 14 | | Grommet (4) | | | Production | 978027 | | Valve, Access (3/8") |
| | 1100826 | Production | | | 1118576 | Service | 978028 | Valve, Access (1/2") |
| | 4387558 | Service | 29 | 2315541 | Air Baffle | 978029 | | Valve, Access (5/8") |
| 15 | W10194431 | Start-Device Combination (Start Relay and Overload for Production Compressor Only) | 30 | 2188874 | Motor, Condenser | 978030 | | Valve, Access (3/4") |
| | | | 31 | 2187382 | Wire Assembly, Unit | 876764 | | Valve, Access (3/16") |
| | | | 32 | 2225834 | Fan Blade | REFRIGERANT CHARGE | | |
| 16 | 2201185 | Support Block | 34 | W10189806 | Tube, Suction | | | 4.00 Ozs. (R134A) |
| 17 | 2150304 | Roller (2) | 35 | W10274306 | Tube, Process | | | |
| | | | 36 | 2254574 | Tray, Evaporator | | | |

FOR ORDERING INFORMATION REFER TO PARTS PRICE LIST

ICEMAKER PARTS

For Models: M1TXEMMW02, M1TXEMMWB02, M1TXEMMWS02, M1TXEMMWQ02
(White) (Black) (Stainless Steel) (Biscuit)



FOR ORDERING INFORMATION REFER TO PARTS PRICE LIST

ICEMAKER PARTS

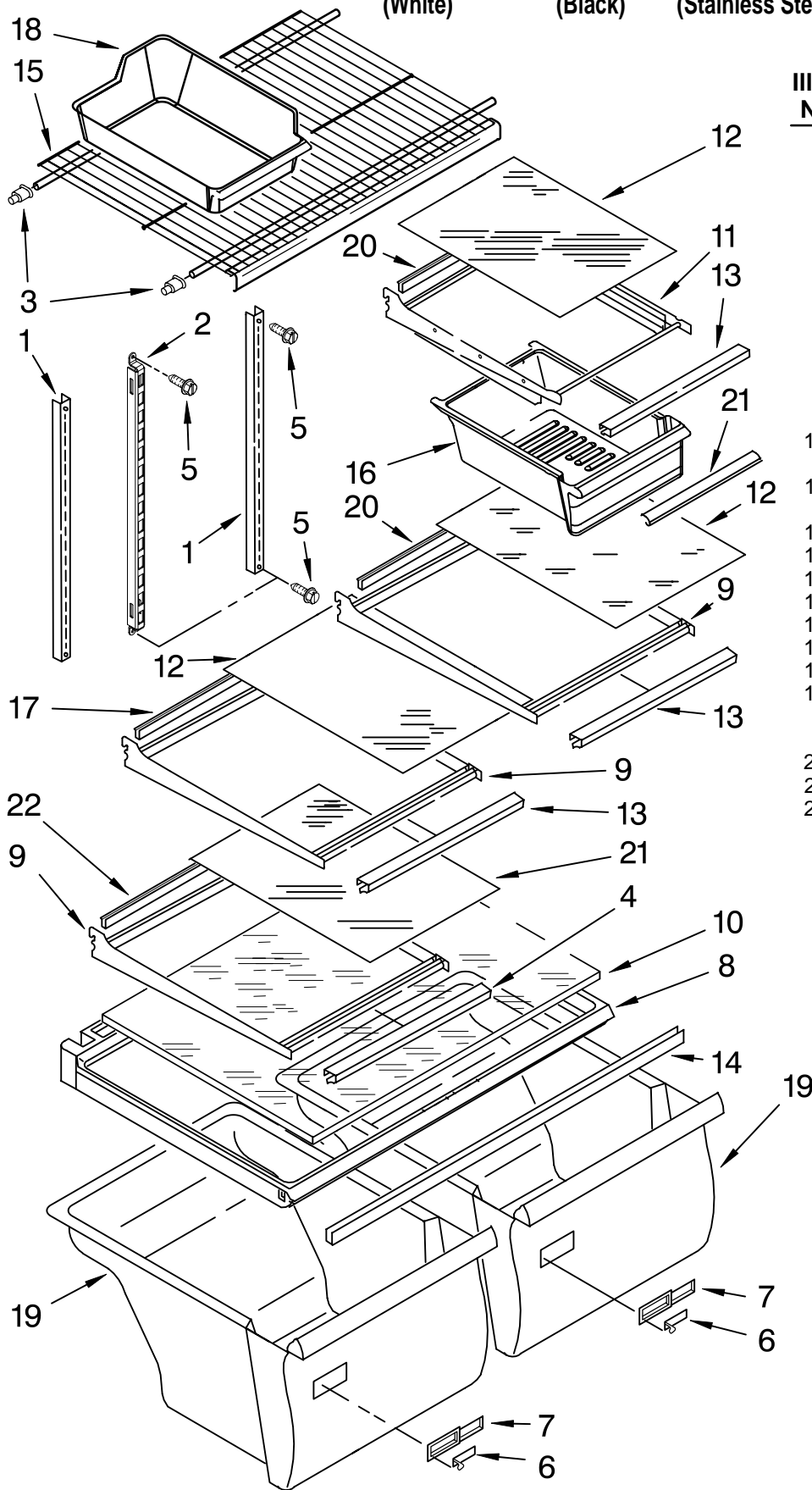
For Models: M1TXEMMW02, M1TXEMMB02, M1TXEMMW02, M1TXEMMWQ02
 (White) (Black) (Stainless Steel) (Biscuit)

| Illus. No. | Part No. | DESCRIPTION |
|------------|-----------|--|
| 1 | 488878 | Clamp, Tube |
| 3 | 2210495 | Clip, Water Valve |
| 4 | 2181939 | Insert, Tube |
| 5 | 628379 | Clip, Fuse |
| 6 | 2181943 | Tube Water |
| 7 | 2315576 | Valve Solenoid |
| 8 | 79191001 | Cover |
| 9 | 8281265 | Screw |
| 10 | W10122527 | Mold & Heater Assembly (Also Order 542638 Silicone Grease) |
| 11 | 628515 | Cup, Water Fill |
| 12 | 627843 | Ejector |
| 13 | W10122563 | Ice Striper |
| 14 | 2194712 | Support |
| 15 | 2315522 | Retainer Thermostat |
| 16 | 628397 | Thermostat (Also Order 542369 Cement Alumilastic) |
| 17 | 8533917 | Screw |
| 18 | 489276 | Screw |
| 19 | 627792 | Shut Off Arm |
| 20 | 2187464 | Harness, Wiring |
| 21 | 628320 | Bracket |
| 22 | W10223929 | Module Assembly (Includes Item 24) |
| 23 | 489478 | Screw |
| 24 | 489136 | Screw, 3-24 x 23/64 |
| 25 | 488208 | Screw |
| 26 | 488886 | Screw, 8-18 x 1/2 |
| 100 | W10190952 | Icemaker, Complete Assembly |

FOR ORDERING INFORMATION REFER TO PARTS PRICE LIST

SHELF PARTS

For Models: M1TXEMMW02, M1TXEMMWB02, M1TXEMMWS02, M1TXEMMWQ02
(White) (Black) (Stainless Steel) (Biscuit)



| Illus. No. | Part No. | DESCRIPTION |
|------------|----------|-------------------------------------|
| 1 | 2210522 | Shelf, Ladder (2) |
| 2 | 2300520 | Shelf, Ladder Center |
| 3 | 2163762 | Cup, Shelf Mtg. |
| 4 | 2188691 | Trim, Shelf Front |
| 5 | 489478 | Screw |
| 6 | 2176222 | Slide, Humidity Control |
| 7 | 2212446 | Body, Humidity Control |
| 8 | 2314502 | Crisper Cover |
| 9 | 2201102E | Shelf, Cantilever |
| 10 | 2210573 | Insert, Crisper Cover |
| 11 | 2201106 | Pan, Shelf Cantilever |
| 12 | 2174694 | Glass, Shelf |
| 13 | 2188685 | Trim, Shelf Front |
| 14 | 2314478 | Crisper Support |
| 15 | 2189454 | Shelf, Freezer |
| 16 | 2218132K | Pan, Meat |
| 17 | 2188689 | Trim, Shelf Rear |
| 18 | 2254352 | Bucket, Ice |
| 19 | 2218130 | Crisper Pan (Includes Illus. 6 & 7) |
| 20 | 2188687 | Trim, Shelf Rear |
| 21 | 2174693 | Glass, Shelf Full |
| 22 | 2201104E | Frame Assy |

FOR ORDERING INFORMATION REFER TO PARTS PRICE LIST

OPTIONAL PARTS

For Models: M1TXEMMW02, M1TXEMMW02, M1TXEMMW02, M1TXEMMW02
 (White) (Black) (Stainless Steel) (Biscuit)

| Illus. No. | Part No. | DESCRIPTION |
|--|----------|-------------|
| Parts Not Illustrated and Optional Parts (Not Included) | | |

Miscellaneous

| | |
|--------|--|
| 978941 | Insulation, Fiberglass (63-1/2" x 35-1/2" x 2-5/8") |
| 212643 | Sealer, Gum (4 Feet) |
| 479502 | Tape, Vinyl (3/4" x 108") |
| 876305 | Kit, Insulation (14 Pcs. 3" x 24" x 48") |
| 876370 | Kit, Insulation (2 Pcs. 3" x 24" x 48") |
| 876029 | Kit, Foam Slab (30" x 32-1/2" x 1-1/2") |
| 505587 | Sealer, Mastic (1 Qt.) |
| 511873 | Touch-Up, White Porcelain (2 Oz.) |
| 542638 | Grease, Silicone (1/2 Oz.) |
| 542639 | Cement, Alumilastic (1-1/4 Oz.) |
| 606755 | Bag, Insulation (36-5/8" x 46") |
| 799833 | Kit, Evaporator Repair (Aluminum Epoxy) |
| 799832 | Kit, Porcelain Repair (White) |
| 503695 | Cork Sealer (1/4 Pound) |

| Illus. No. | Part No. | DESCRIPTION |
|------------|----------|-------------|
|------------|----------|-------------|

Customer Touch-Up Material

| | |
|----------|---------------------------------------|
| *350942 | Primer, White (12 Oz. Spray Can) |
| *350939 | Enamel, Black (12 Oz. Spray Can) |
| *350930 | Enamel, White (12 Oz. Spray Can) |
| *4392901 | Enamel, Biscuit (12 Oz. Spray Can) |
| 72017 | Brush Touch-Up Kit (White) |
| 72032 | Brush Touch-Up Kit (Black) |
| 4392899 | Brush Touch-Up Kit (Biscuit) |

Refinishing Material

| | |
|---------|----------------------------------|
| 799344 | Enamel, White (1 Qt. Uncut) |
| 4392900 | Enamel, Biscuit (1 Qt. Uncut) |
| 786032 | Enamel, Black (1 Qt. Uncut) |
| 833938 | Kit, Terminal Connector |

***Important:** The spray paint is not to be used where the paint may make contact with the door gaskets.

| Illus. No. | Part No. | DESCRIPTION |
|------------|----------|-------------|
|------------|----------|-------------|

TORX SCREW WRENCH

| | |
|---------|----------|
| 1117510 | Torx Key |
|---------|----------|

Free Manuals Download Website

<http://myh66.com>

<http://usermanuals.us>

<http://www.somanuals.com>

<http://www.4manuals.cc>

<http://www.manual-lib.com>

<http://www.404manual.com>

<http://www.luxmanual.com>

<http://aubethermostatmanual.com>

Golf course search by state

<http://golfingnear.com>

Email search by domain

<http://emailbydomain.com>

Auto manuals search

<http://auto.somanuals.com>

TV manuals search

<http://tv.somanuals.com>