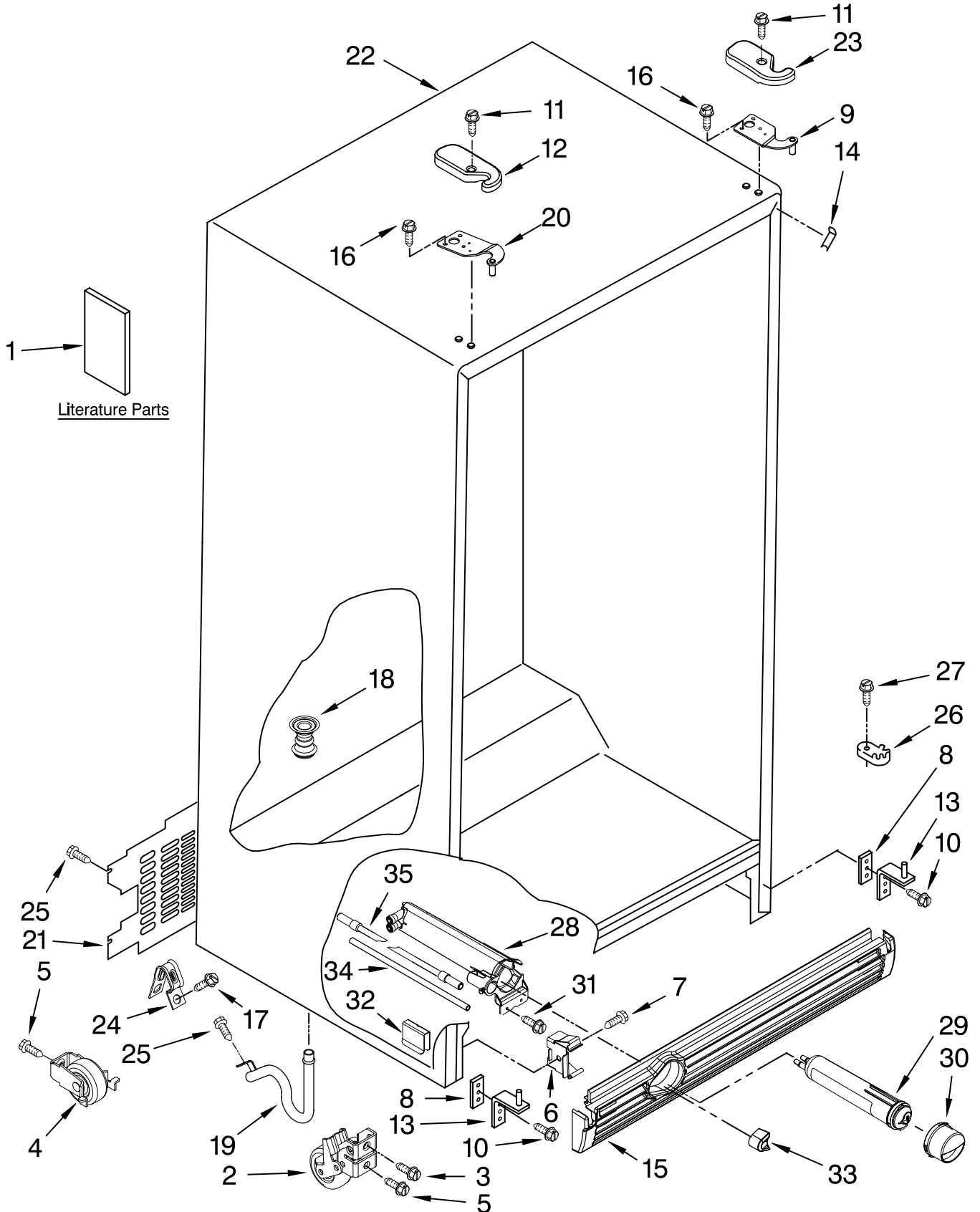


For Models: MSD2550VEW01, MSD2550VEB01, MSD2550VES01, MSD2550VEU01
(White) (Black) (Stainless Steel) (Stainless VCM)



FOR ORDERING INFORMATION REFER TO PARTS PRICE LIST

CABINET PARTS

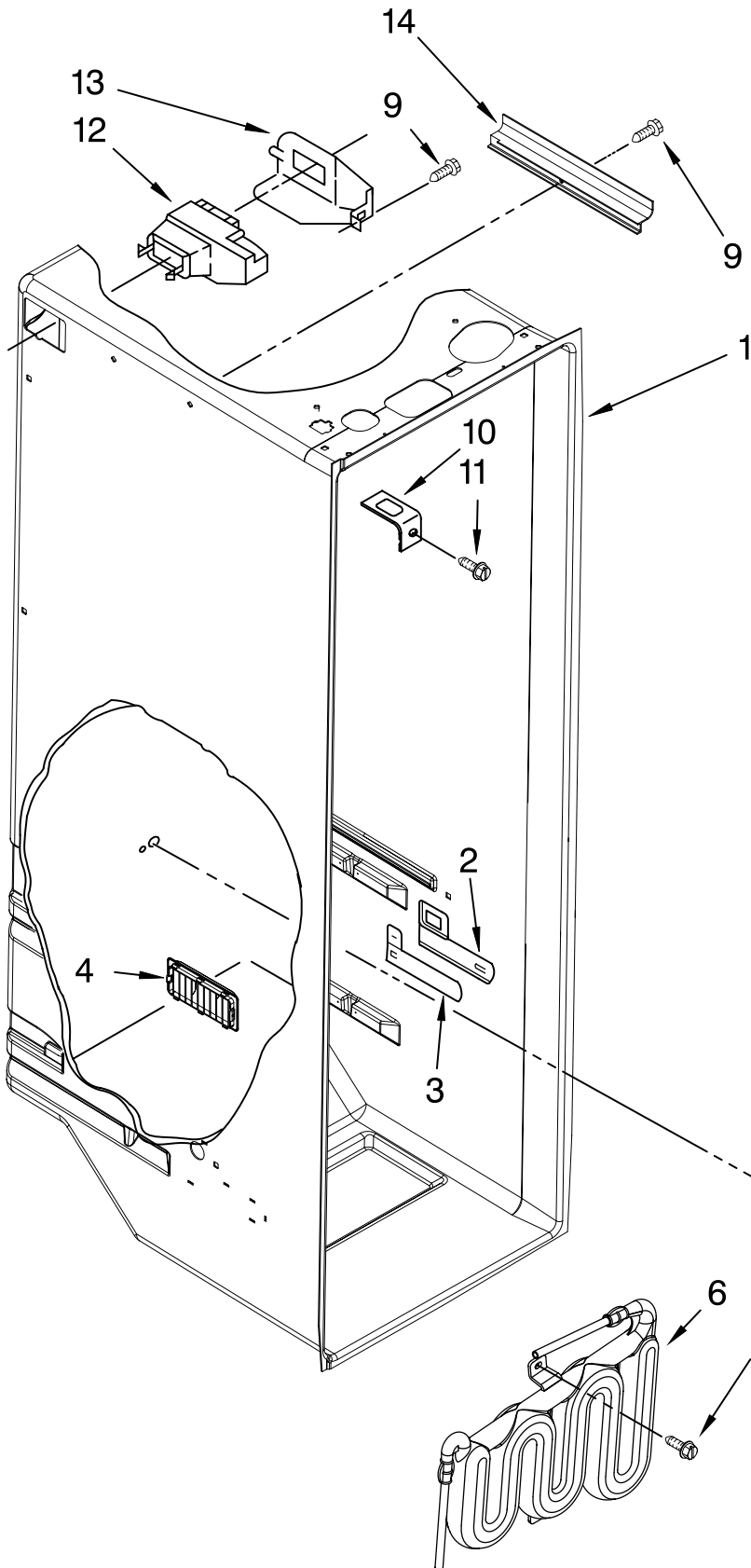
For Models: MSD2550VEW01, MSD2550VEB01, MSD2550VES01, MSD2550VEU01
(White) (Black) (Stainless Steel) (Stainless VCM)

Illus. No.	Part No.	DESCRIPTION	Illus. No.	Part No.	DESCRIPTION	Illus. No.	Part No.	DESCRIPTION
1		Literature Parts	13	2217075	Hinge Bottom	25	489084	Screw
	W10171539	Energy Guide	14		Filler, Wrapper	26	2155311	Door Closer
	W10153840	Owner's Manual		2217075	White	27	489483	Screw
	W10207926	Service & Wiring Sheet		2201017	Black	28	W10121138	Housing, Water Filter
	W10154390	Instruction Sheet (Door Removal)	15		Grille	29	4396841	Water Filter
				2260500W	White	30		Cap, Water Filter
				2260500B	Black		2260502W	White
			16	489497	Screw		2260502B	Black
2	2174748	Front Roller (2)	17	489464	Screw	31	489500	Screw
3	3400517	Screw	18	2304888	Drain Fitting	32	2260519	Block, Housing Support
4	2196236	Rear Roller (2)	19	2304937	Extension Tube	33		Button, Water Filter
5	489427	Screw	20	2203770	Hinge, Top (FC)		2260503W	White
6	2155013	Clip, Grille	21	2188735	Cover, Unit		2260503B	Black
7	489478	Screw	22		Cabinet (Not A Serviceable Part)	34	2255012	Tube, Filter Outlet
8	2209697	Shim	23		Hinge Cover (RC)	35	2319867	Tube, Filter Inlet
9	2203771	Hinge, Top (RC)		2203408W	White			
10	3400113	Screw		2203408B	Black			
11	8281227	Screw	24	549193	Clamp, Service Cord			
12		Hinge Cover (FC)						
	2203407W	White						
	2203407B	Black						

FOR ORDERING INFORMATION REFER TO PARTS PRICE LIST

REFRIGERATOR LINER PARTS

For Models: MSD2550VEW01, MSD2550VEB01, MSD2550VES01, MSD2550VEU01
 (White) (Black) (Stainless Steel) (Stainless VCM)

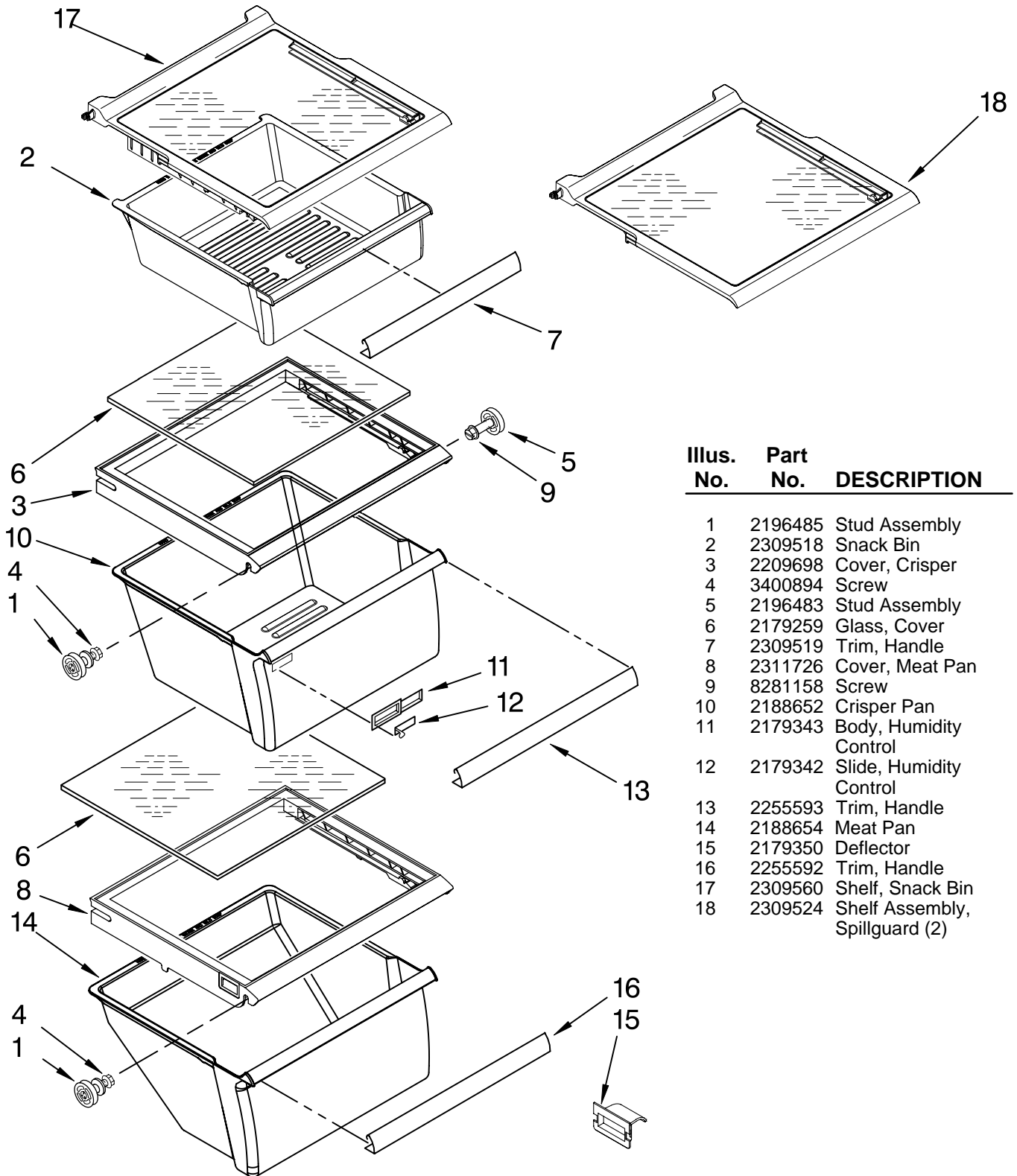


Illus. No.	Part No.	DESCRIPTION
1		Liner (Not A Serviceable Part)
2	W10175967	Escutcheon, Meat Pan Control
3	2182757	Slide Meat Pan Control
4	2257741	Louver
5	W10166019	Light Lens
6	W10204356	Reservoir
7	488280	Screw
8	527949	Light Bulb
9	486298	Screw (2)
10	2256085	Bracket Retainer
11	489290	Screw
12	W10151375	Air Diffuser Assembly
13	2152019	Air Diffuser Cover
14	2150331	Cover, Wiring
15	2162085	Socket

FOR ORDERING INFORMATION REFER TO PARTS PRICE LIST

REFRIGERATOR SHELF PARTS

For Models: MSD2550VEW01, MSD2550VEB01, MSD2550VES01, MSD2550VEU01
 (White) (Black) (Stainless Steel) (Stainless VCM)

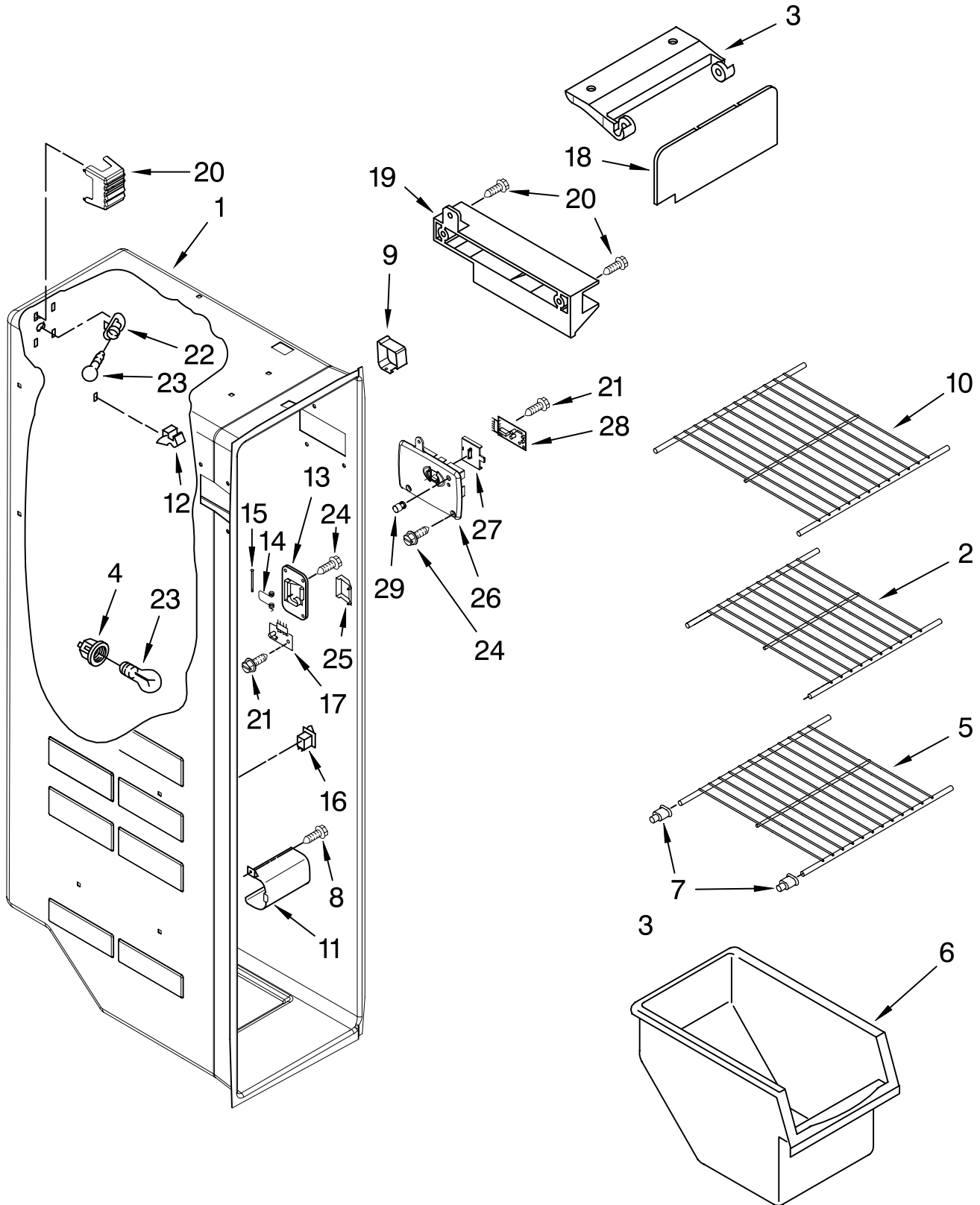


Illus. No.	Part No.	DESCRIPTION
1	2196485	Stud Assembly
2	2309518	Snack Bin
3	2209698	Cover, Crisper
4	3400894	Screw
5	2196483	Stud Assembly
6	2179259	Glass, Cover
7	2309519	Trim, Handle
8	2311726	Cover, Meat Pan
9	8281158	Screw
10	2188652	Crisper Pan
11	2179343	Body, Humidity Control
12	2179342	Slide, Humidity Control
13	2255593	Trim, Handle
14	2188654	Meat Pan
15	2179350	Deflector
16	2255592	Trim, Handle
17	2309560	Shelf, Snack Bin
18	2309524	Shelf Assembly, Spillguard (2)

FOR ORDERING INFORMATION REFER TO PARTS PRICE LIST

FREEZER LINER PARTS

For Models: MSD2550VEW01, MSD2550VEB01, MSD2550VES01, MSD2550VEU01
(White) (Black) (Stainless Steel) (Stainless VCM)



FOR ORDERING INFORMATION REFER TO PARTS PRICE LIST

FREEZER LINER PARTS

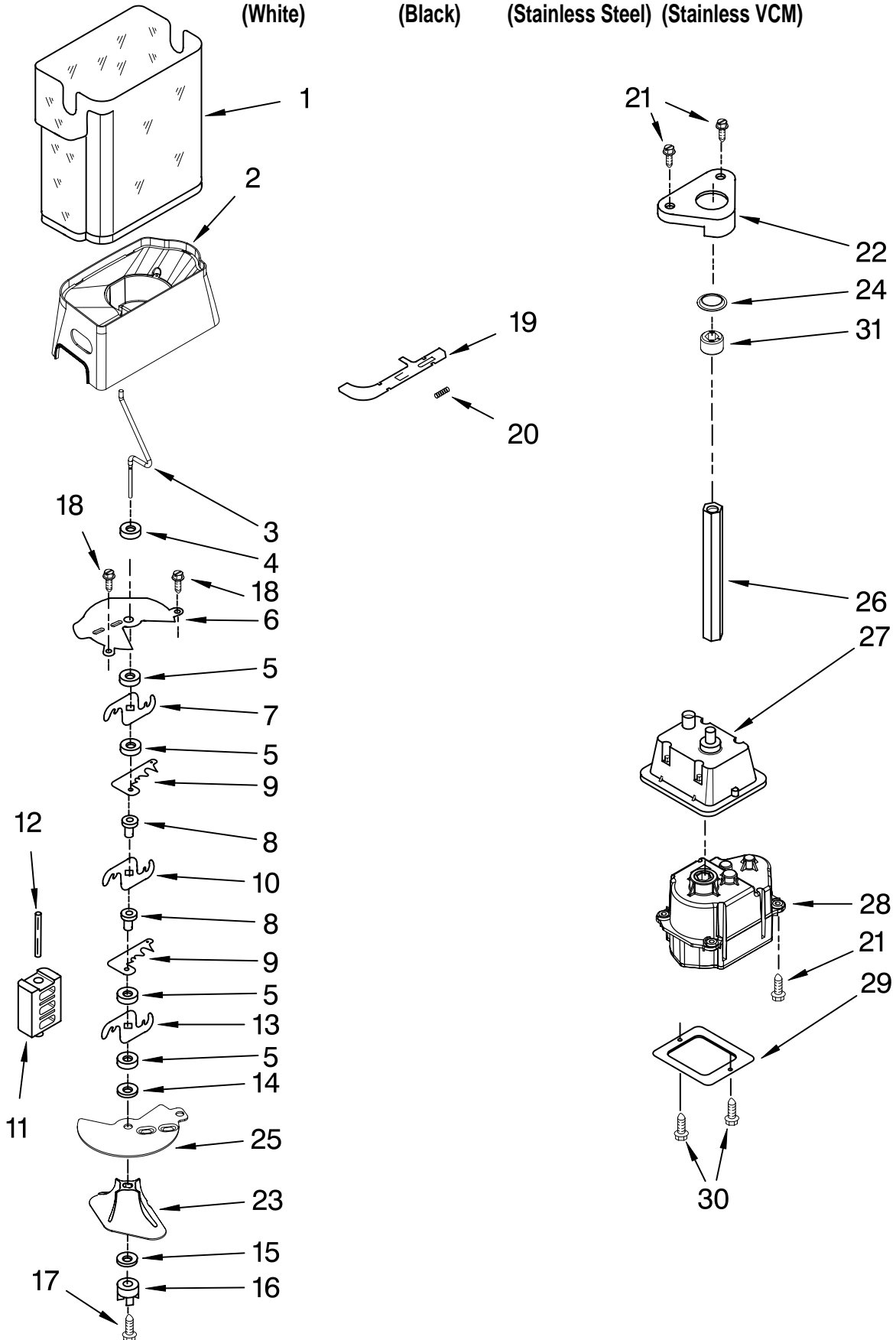
For Models: MSD2550VEW01, MSD2550VEB01, MSD2550VES01, MSD2550VEU01
 (White) (Black) (Stainless Steel) (Stainless VCM)

Illus. No.	Part No.	DESCRIPTION
1		Liner (Not A Serviceable Part)
2	2312041	Shelf
3	2198641	Bracket, Ice Maker Cover
4	2155597	Socket, Light
5	2309597	Shelf
6	2309757	Freezer Bin
7	W10130299	Cup, Shelf
8	3400893	Screw
9	2303234	Shield, Wiring
10	2309596	Shelf
11	2212340	Light Lens
12	842534	Clip, Air Duct (2)
13	2198587	Cover, Emitter
14	2198635	Spring
15	2198634	Pin
16	1115373	Switch, Rocker Arm
17	2220398	P.C. Board Emitter
18	2255720	Cover, Ice Maker
19	2212321	Slide, Ice Maker Mounting
20	2198589	Light Shield
21	489214	Screw
22	2162085	Light Socket
23	527949	Light Bulb
24	8281185	Screw
25	2198633	Flipper
26	W10173569	Cover, Receiver
27	2315398	Slide, Ice Maker Shut Off
28	W10193666	P.C. Board, Receiver
29	2198643	Lens

FOR ORDERING INFORMATION REFER TO PARTS PRICE LIST

MOTOR AND ICE CONTAINER PARTS

For Models: MSD2550VEW01, MSD2550VEB01, MSD2550VES01, MSD2550VEU01
 (White) (Black) (Stainless Steel) (Stainless VCM)



FOR ORDERING INFORMATION REFER TO PARTS PRICE LIST

MOTOR AND ICE CONTAINER PARTS

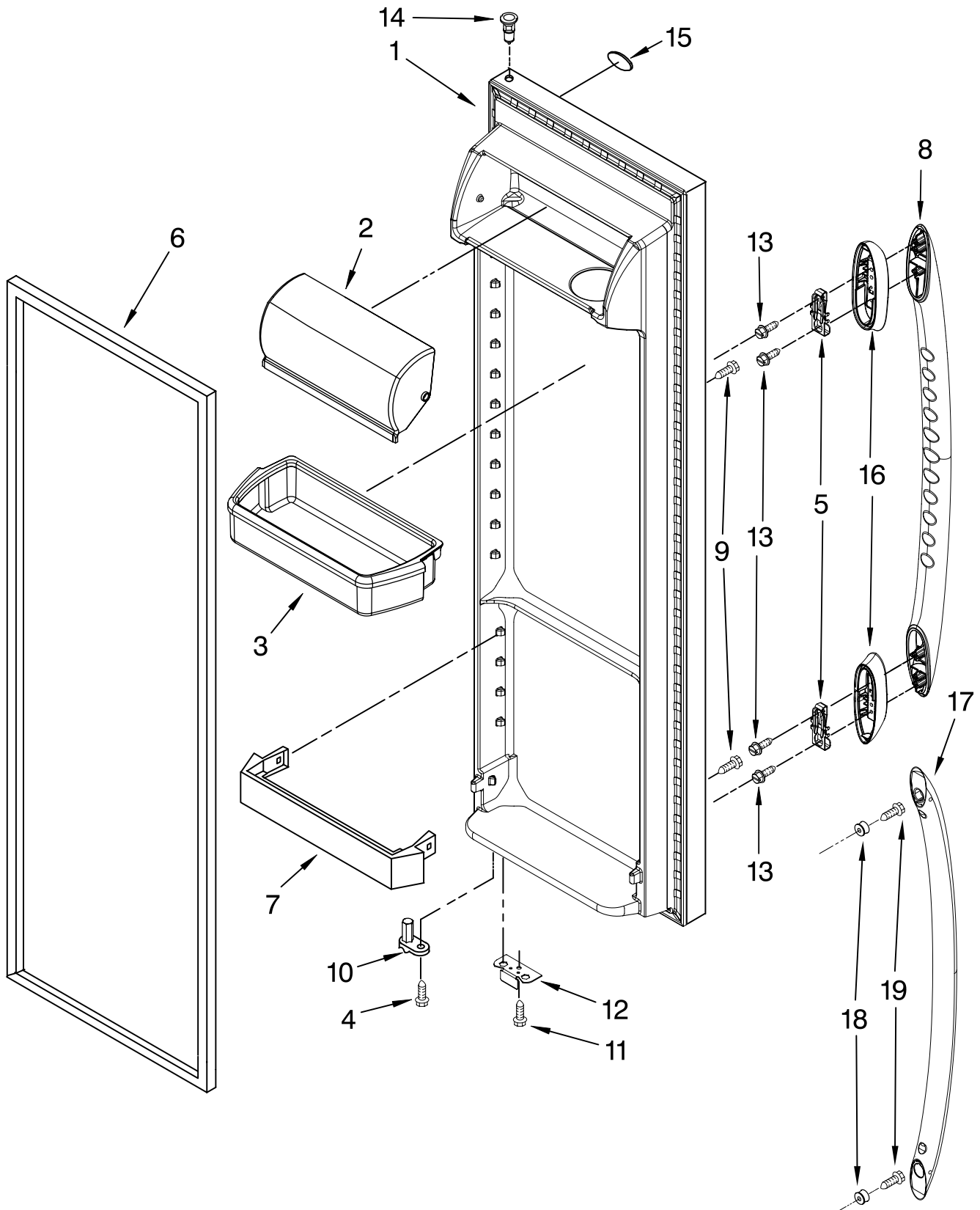
For Models: MSD2550VEW01, MSD2550VEB01, MSD2550VES01, MSD2550VEU01
 (White) (Black) (Stainless Steel) (Stainless VCM)

Illus. No.	Part No.	DESCRIPTION
1	2198573	Ice Bin
2	W10170127	Crusher Bin
3	2317240	Auger
4	2258220	Washer
5	1119007	Spacer, Flat (4)
6	2317248	Cover, Crusher
7	2257024	Blade, Rotary
8	1119005	Spacer, Step (2)
9	2257020	Blade, Fixed
10	2257023	Blade, Rotary
11	2317239	Block, Blade
12	489229	Roll Pin
13	2257022	Blade, Rotary
14	489235	Washer, Plain
15	2198661	Washer, Coupling
16	2188918	Coupling
17	8281164	Screw
18	3400065	Screw
19	2317277	Latch, Bin
20	2198608	Spring, Latch
21	8281163	Screw
22	2188919	Holder
23	2317243	Wiper
24	2198628	Seal
25	2317250	Divider, Chamber
26	2188916	Drive Shaft
27	2256154	Enclosure, Motor
28	2315544	Dispenser, Motor
29	2212305	Cover
30	489478	Screw
31	2315559	Sleeve, Coupling
100	W10204467	Ice Container (Complete)

FOR ORDERING INFORMATION REFER TO PARTS PRICE LIST

REFRIGERATOR DOOR PARTS

For Models: MSD2550VEW01, MSD2550VEB01, MSD2550VES01, MSD2550VEU01
(White) (Black) (Stainless Steel) (Stainless VCM)



FOR ORDERING INFORMATION REFER TO PARTS PRICE LIST

REFRIGERATOR DOOR PARTS

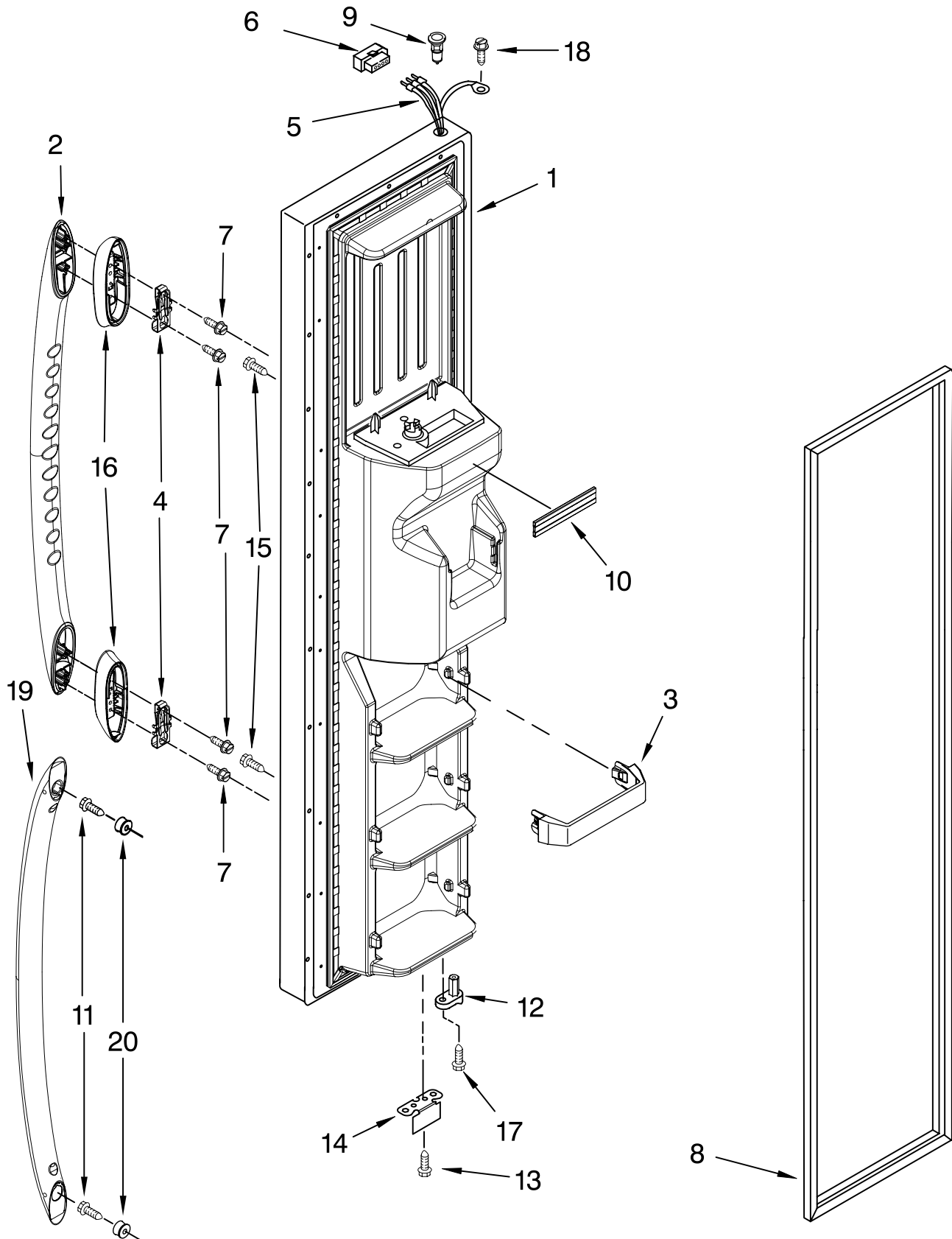
For Models: MSD2550VEW01, MSD2550VEB01, MSD2550VES01, MSD2550VEU01
 (White) (Black) (Stainless Steel) (Stainless VCM)

Illus. No.	Part No.	DESCRIPTION
1		Refrigerator Door (Includes Item #6)
	W10153847	White
	W10159873	Black
	W10180652	Stainless Steel
	W10172722	Stainless VCM
2	2256101	Compartment Door
3	2203828	Shelf Bin (3)
4	3400012	Screw
5	13067101	Clip
6		Door Gasket, Magnetic
	2309528	Mist Beige
	2309529	Black
7	2156022	Shelf Bin
8		Handle, Extr
	12743701W	White
	12743701B	Black
9	12990203	Screw (4)
10	2182178	Door Closer, Upper Cam
11	489420	Screw
12		Bracket, Door Stop
	2206629	Chrome
	2206629B	Black
13	2326016	Screw
14	2308091	Thimble-Top
15	2324038	Nameplate
16		Accent
	12834803W	White
	12834803B	Black
17	67006391	Handle, Stainless
18	2326259	Stud, Handle
19	488208	Screw

FOR ORDERING INFORMATION REFER TO PARTS PRICE LIST

FREEZER DOOR PARTS

For Models: MSD2550VEW01, MSD2550VEB01, MSD2550VES01, MSD2550VEU01
(White) (Black) (Stainless Steel) (Stainless VCM)



FOR ORDERING INFORMATION REFER TO PARTS PRICE LIST

FREEZER DOOR PARTS

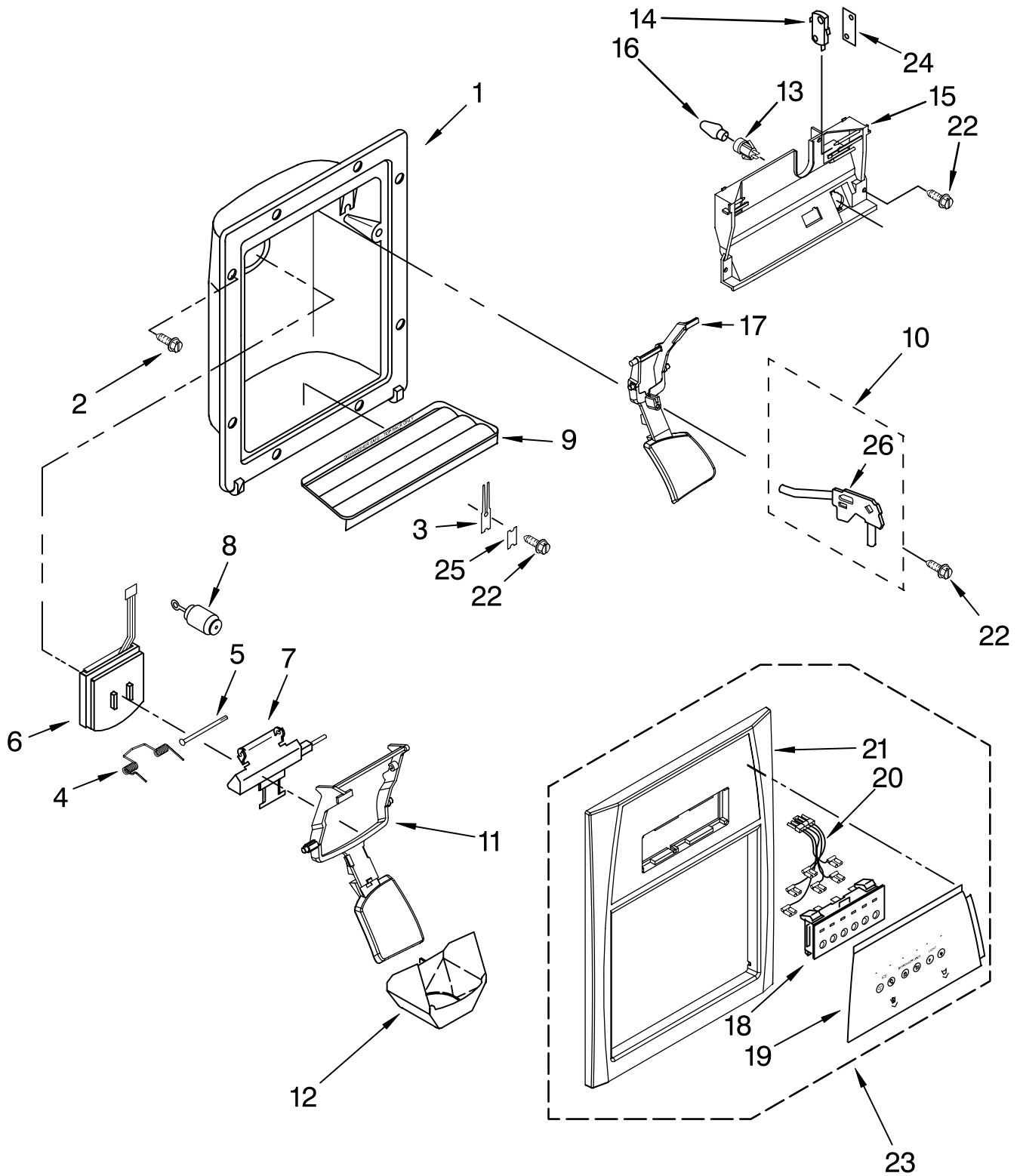
For Models: MSD2550VEW01, MSD2550VEB01, MSD2550VES01, MSD2550VEU01
 (White) (Black) (Stainless Steel) (Stainless VCM)

Illus. No.	Part No.	DESCRIPTION
1		Freezer Door (Includes #8 And Dispenser Front Parts)
	W10171425	White
	W10171426	Black
	W10180653	Stainless Steel
	W10171430	Stainless VCM
2		Handle (Includes #15)
	12743701W	White
	12743701B	Black
3	2309718	Door Trim (3)
4	13067101	Clip
5	2198619	Dispenser Harness
6	2154473	Connector
7	12990203	Screw (4)
8		Door Gasket, Magnetic
	2309532	Mist Beige
	2309533	Black
9	2182181	Thimble-Top
10	2219982	Trim, Door Shelf
11	488208	Screw
12	2182179	Door Closer, Upper Cam
13	489420	Screw
14		Bracket, Door Stop
	2206629	Chrome
	2206629B	Black
15	2326016	Screw
16		Accent
	12834803W	White
	12834803B	Black
17	3400012	Screw
18	488500	Screw
19	67006391	Handle, Stainless
20	2326259	Stud, Handle

FOR ORDERING INFORMATION REFER TO PARTS PRICE LIST

DISPENSER FRONT PARTS

For Models: MSD2550VEW01, MSD2550VEB01, MSD2550VES01, MSD2550VEU01
(White) (Black) (Stainless Steel) (Stainless VCM)



FOR ORDERING INFORMATION REFER TO PARTS PRICE LIST

DISPENSER FRONT PARTS

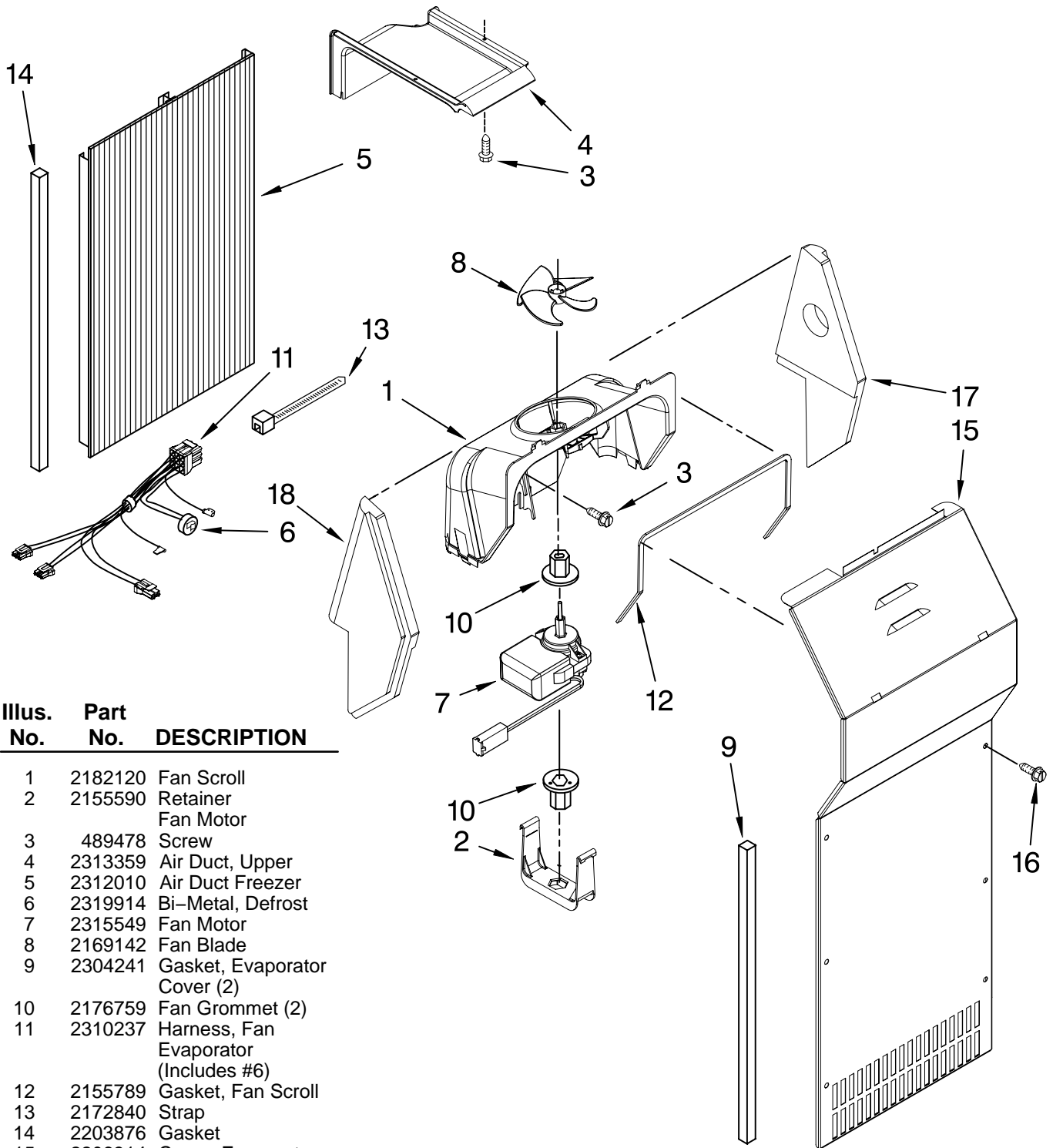
For Models: MSD2550VEW01, MSD2550VEB01, MSD2550VES01, MSD2550VEU01
 (White) (Black) (Stainless Steel) (Stainless VCM)

Illus. No.	Part No.	DESCRIPTION
1		Housing, Dispenser (Not Serviced)
2	3196537	Screw
3	2194719	Retainer, Levers
4	2304772	Spring, Torsion
5	2196195	Pin
6	2180353	Door, Ice
7	2304355	Door Mechanism Assembly
8	2205686	Mechanism Delay
9		Grille, Overflow
	2206670W	White
	2206670B	Black
10	2304317	Water Fitting Assembly (Includes Water Tube)
11		Lever, Ice Dispenser
	2203562W	White
	2203562B	Black
12	2180224	GUIDE, ICE
13	2180200	Lamp Holder
14	2162361	Switch
15	2183771	Bracket, Control
16	3406124	Bulb, Light
17		Lever, Water Dispenser
	2203561W	White
	2203561B	Black
18	2198621	Switch Assembly
19		Overlay, Front Cover (Not Available Order #23)
20	2187406	Wire Assembly
21		Front Cover, Housing (Not Available, Order #23)
22	489000	Screw
23		Front Cover Assembly (Includes Items 18, 19, 20, & 21)
	W10175697	White
	W10175698	Black
24	625834	Spacer, Switch (2)
25	2195051	Strain Relief
26	2304673	Bracket, Dispenser

FOR ORDERING INFORMATION REFER TO PARTS PRICE LIST

AIR FLOW PARTS

For Models: MSD2550VEW01, MSD2550VEB01, MSD2550VES01, MSD2550VEU01
 (White) (Black) (Stainless Steel) (Stainless VCM)

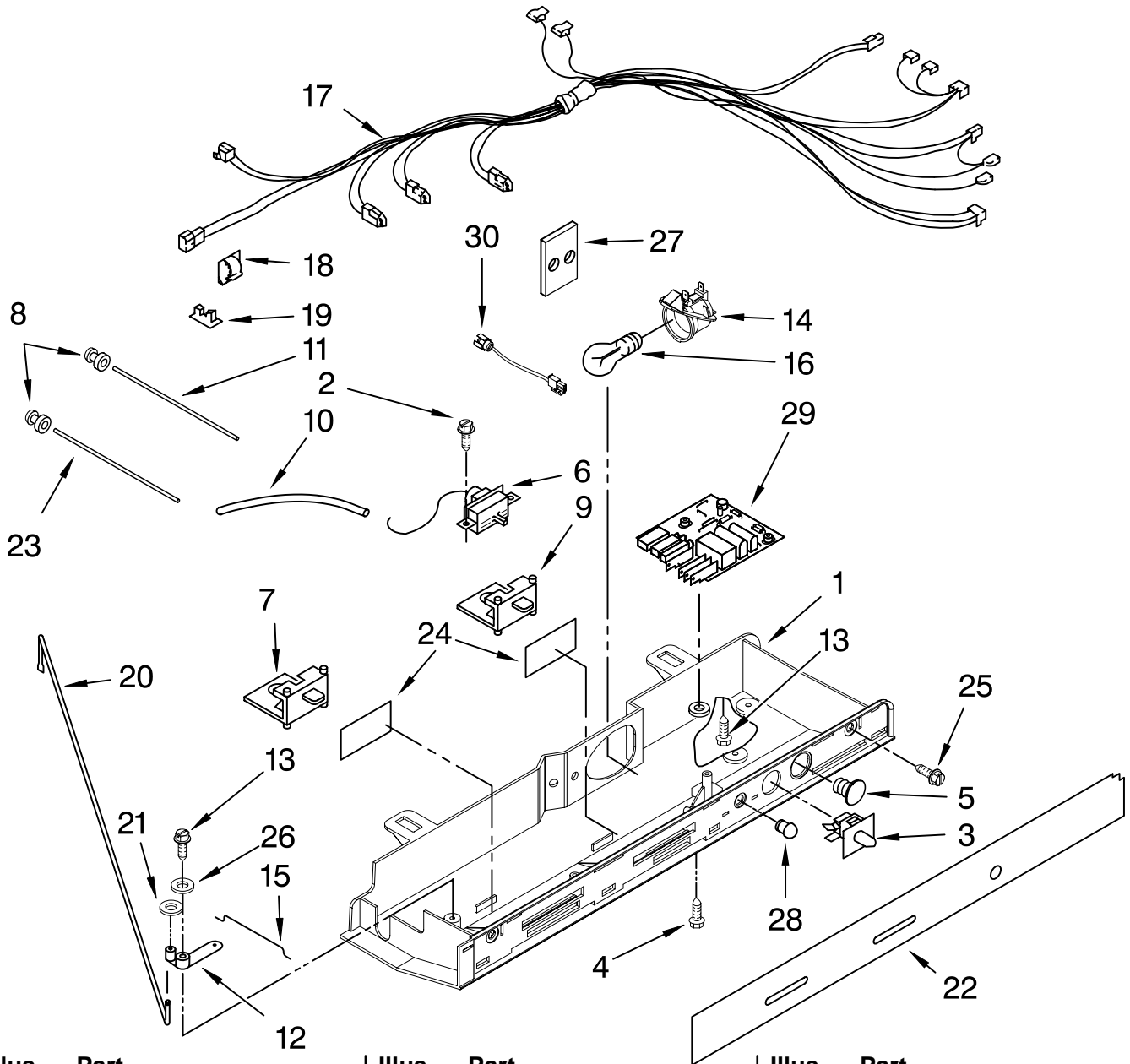


Illus. No.	Part No.	DESCRIPTION
1	2182120	Fan Scroll
2	2155590	Retainer Fan Motor
3	489478	Screw
4	2313359	Air Duct, Upper
5	2312010	Air Duct Freezer
6	2319914	Bi-Metal, Defrost
7	2315549	Fan Motor
8	2169142	Fan Blade
9	2304241	Gasket, Evaporator Cover (2)
10	2176759	Fan Grommet (2)
11	2310237	Harness, Fan Evaporator (Includes #6)
12	2155789	Gasket, Fan Scroll
13	2172840	Strap
14	2203876	Gasket
15	2206314	Cover, Evaporator (Includes #9)
16	8281159	Screw (6)
17	2203595	Support, R.S.
18	2203596	Support, L.S.

FOR ORDERING INFORMATION REFER TO PARTS PRICE LIST

CONTROL PARTS

For Models: MSD2550VEW01, MSD2550VEB01, MSD2550VES01, MSD2550VEU01
(White) (Black) (Stainless Steel) (Stainless VCM)



Illus. No.	Part No.	DESCRIPTION
1	2311721	Control Box
2	489214	Screw (2)
3	2149705	Switch, Light
4	489398	Screw (2)
5	940014	Hole Plug
6	2315562	Thermostat
7	2181741	Slide, Air Control
8	2172906	Grommet, Light Bar (4)
9	2161466	Slide, Thermostat
10	2196001	Tube Barrier
11	2179920	Light Bar (RC)

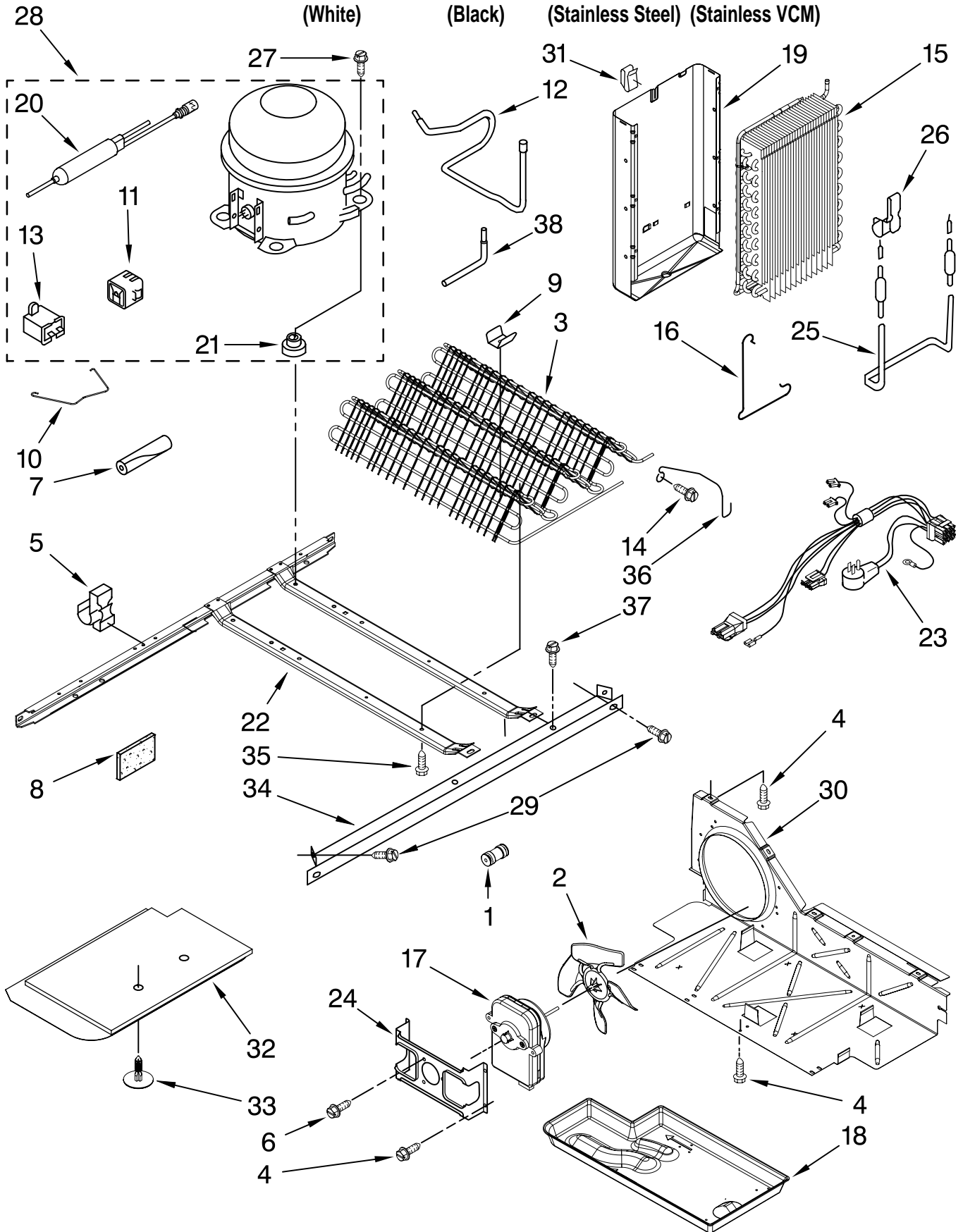
Illus. No.	Part No.	DESCRIPTION
12	2161306	Pivot Arm
13	627068	Screw
14	2162085	Light Socket
15	2161307	Connecting Rod, Short
16	527949	Light Bulb
17	2311632	Control Box Harness
18	1115374	Clip, Wiring
19	1115375	Clip, Wiring
20	2161308	Connecting Rod
21	489391	Fastner, Push-On

Illus. No.	Part No.	DESCRIPTION
22	W10171457	Escutcheon, Control Box
23	2179921	Light Bar (FC)
24	2175513	Window
25	489084	Screw (2)
26	489203	Spring Washer
27	2172931	Heat Shield
28	2200096	Cover, Light Lens
29	W10135899	Control Board Assembly
30	2213462	Harness, Indicator Light

FOR ORDERING INFORMATION REFER TO PARTS PRICE LIST

UNIT PARTS

For Models: MSD2550VEW01, MSD2550VEB01, MSD2550VES01, MSD2550VEU01
 (White) (Black) (Stainless Steel) (Stainless VCM)



FOR ORDERING INFORMATION REFER TO PARTS PRICE LIST

UNIT PARTS

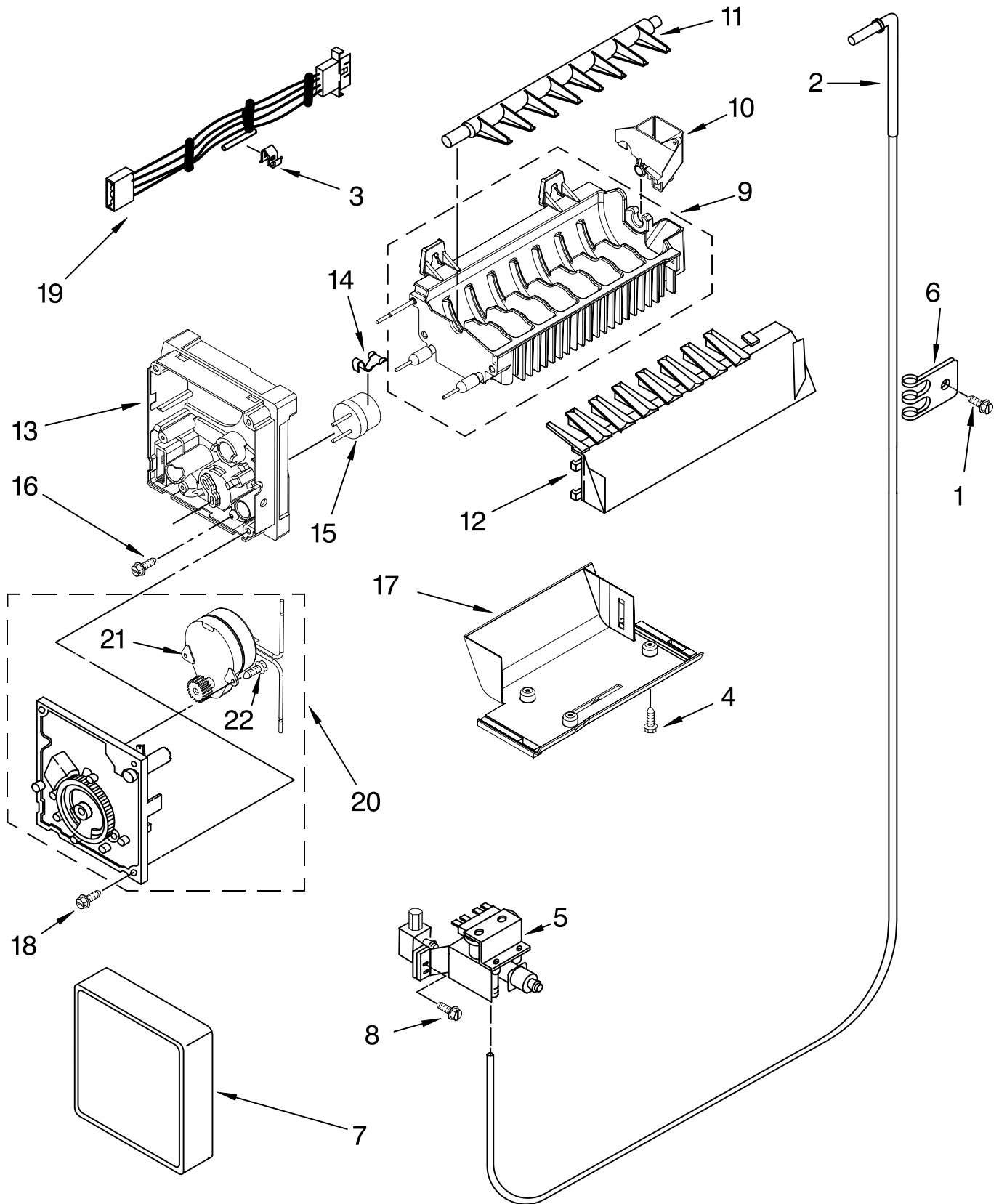
For Models: MSD2550VEW01, MSD2550VEB01, MSD2550VES01, MSD2550VEU01
(White) (Black) (Stainless Steel) (Stainless VCM)

Illus. No.	Part No.	DESCRIPTION	Illus. No.	Part No.	DESCRIPTION	Illus. No.	Part No.	DESCRIPTION
1	2320322	Connector, Water	20		Drier	36	2260517	Guard, Fan
2	12825802	Fan, Blade		W10177049	Production	37	489427	Screw
3	W10196260	Condenser Assembly		W10143759	Service	38	W10171238	Process Tube
4	489464	Screw	21		Grommet (4)	Following Parts Not Illustrated and Optional Parts Not Included		
5	2208280	Clip, Wire		1100826	Production		978025	Valve, Access (1/4")
6	8533993	Screw		1100826	Service		978026	Valve, Access (5/16")
7	2161302	Sleeve	22	W10196321	Unit Mounting Frame		978027	Valve, Access (3/8")
8	2215468	Insulation, Sound					978028	Valve, Access (1/2")
9	2311725	Clip, Condenser	23	2187783	Harness, Unit		978029	Valve, Access (5/8")
10	W10174384	Clip, Retaining	24	2181929	Fan, Motor Bracket		978030	Valve, Access (3/4")
11		Start-Device, Combination (Start Relay and Overload)	25	2188175	Heater, Defrost		876764	Valve, Access (3/16")
	W10189190	Production	26	2161324	Clip			
	W10197427	Service	27	489373	Screw			
12	W10210786	Tube, Suction	28	W10183575	Compressor (Includes Items 11, 13, 20, & 21) (Also Order 876765 Tube Kit)			
13		Capacitor	29	489340	Screw			
	2264017	Production	30	W10163483	Air Baffle			
	2264017	Service	31	2155547	Clip, Heat Shield			
14	489478	Screw	32	2304891	Unit Cover, Bottom			
15	2188823	Evaporator	33	489396	Clip			
16	2161324	Clamp	34	W10196323	Unit Mounting Rail			
17	2188874	Fan, Motor	35	8281232	Screw			
18	1105523	Tray, Evaporator						REFRIGERANT CHARGE
19	W10194475	Heat Shield						5.0 oz. (R-134A)

FOR ORDERING INFORMATION REFER TO PARTS PRICE LIST

ICEMAKER PARTS

For Models: MSD2550VEW01, MSD2550VEB01, MSD2550VES01, MSD2550VEU01
(White) (Black) (Stainless Steel) (Stainless VCM)



FOR ORDERING INFORMATION REFER TO PARTS PRICE LIST

ICEMAKER PARTS

For Models: MSD2550VEW01, MSD2550VEB01, MSD2550VES01, MSD2550VEU01
 (White) (Black) (Stainless Steel) (Stainless VCM)

Illus. No.	Part No.	DESCRIPTION
1	489084	Screw
2	2303216	Fitting, Water Tube
3	628379	Clip, Fuse
4	489478	Screw
5	2315534	Filter Valve Asm
6	2208136	Clip, Tube
7	2174358	Cover
8	488649	Screw
9	W10122527	Mold & Heater Assembly (Also Order 542638 Silicone Grease)
10	2304969	Cup-Water Fill
11	627843	Ejector
12	2198598	Ice Stripper
13	2194712	Support
14	2315522	Retainer, Thermostat
15	627985	Thermostat (Also Order 542369 Cement Alumilastic)
16	8533917	Screw
17	2303583	Bracket, Ice Maker Mounting
18	489276	Screw
19	2187467	Harness, Wiring
20	626691	Module Assembly (Includes Items 37 & 38)
21	626683	Motor
22	489136	Screw
100	W10190960	Icemaker Assembly

FOR ORDERING INFORMATION REFER TO PARTS PRICE LIST

OPTIONAL PARTS (NOT INCLUDED)

For Models: MSD2550VEW01, MSD2550VEB01, MSD2550VES01, MSD2550VEU01
(White) (Black) (Stainless Steel) (Stainless VCM)

Illus. No.	Part No.	DESCRIPTION	Illus. No.	Part No.	DESCRIPTION	Illus. No.	Part No.	DESCRIPTION
<u>PAINT, BULK (1 qt.)</u>			<u>PAINT, BULK (1 qt.)</u>			<u>TORX SCREW WRENCH</u>		
	*350942	Primer, White		799340	Black		1117510	Torx Key
	*350939	Black		799344	White			
	*350930	White		4392900	Biscuit			
	*4392901	Biscuit		8171358	Graphite			
	*8171357	Graphite						
<u>PAINT, TOUCH-UP (1/2oz.)</u>			<u>Miscellaneous</u>					
	72017	White		8129	Coil Brush			
	4392899	Biscuit		212643	Sealer, Gum (4 Feet)			
	72032	Black		479502	Tape, Vinyl (3/4 x 108")			
	80051	Graphite		505587	Sealer, Mastic (1 Qt.)			
				503695	Cork, Sealer (1/4 Pound)			
				542638	Grease, Silicone (1/2 Oz.)			
				542639	Cement, Alumilastic (1-1/4 Oz.)			
				799833	Kit, Evaporator Repair (Aluminum Epoxy)			
				833938	Kit, Terminal Connector			

***Important:** The spray paint is not to be used where the paint may make contact with the door gaskets.

FOR ORDERING INFORMATION REFER TO PARTS PRICE LIST

Free Manuals Download Website

<http://myh66.com>

<http://usermanuals.us>

<http://www.somanuals.com>

<http://www.4manuals.cc>

<http://www.manual-lib.com>

<http://www.404manual.com>

<http://www.luxmanual.com>

<http://aubethermostatmanual.com>

Golf course search by state

<http://golfingnear.com>

Email search by domain

<http://emailbydomain.com>

Auto manuals search

<http://auto.somanuals.com>

TV manuals search

<http://tv.somanuals.com>