



REFRIGERATOR USER INSTRUCTIONS

THANK YOU for purchasing this high-quality product. If you should experience a problem not covered in TROUBLESHOOTING, please visit our website at www.maytag.com for additional information. If you still need assistance, call us at 1-800-688-9900. In Canada, visit our website at www.maytag.ca or call us at 1-800-807-6777.

You will need your model and serial number, located on the inside wall of the refrigerator compartment.

Table of Contents / Índice / Table des matières

REFRIGERATOR SAFETY	1	SEGURIDAD DEL REFRIGERADOR.....	21	SÉCURITÉ DU RÉFRIGÉRATEUR.....	42
INSTALLATION INSTRUCTIONS.....	2	INSTRUCCIONES DE INSTALACIÓN...22		INSTRUCTIONS D'INSTALLATION.....	43
REFRIGERATOR USE.....	8	USO DE SU REFRIGERADOR.....	28	UTILISATION DU RÉFRIGÉRATEUR ...	49
REFRIGERATOR CARE.....	14	CUIDADO DE SU REFRIGERADOR	34	ENTRETIEN DU RÉFRIGÉRATEUR	55
TROUBLESHOOTING	15	SOLUCIÓN DE PROBLEMAS.....	35	DÉPANNAGE.....	56
WATER FILTER CERTIFICATIONS.....	17	HOJA DE DATOS		FEUILLES DE DONNÉES	
PERFORMANCE DATA SHEETS.....	18	DEL RENDIMIENTO	38	SUR LA PERFORMANCE.....	59
WARRANTY	20	GARANTÍA.....	40	GARANTIE.....	61

REFRIGERATOR SAFETY

Your safety and the safety of others are very important.

We have provided many important safety messages in this manual and on your appliance. Always read and obey all safety messages.



This is the safety alert symbol.

This symbol alerts you to potential hazards that can kill or hurt you and others.

All safety messages will follow the safety alert symbol and either the word "DANGER" or "WARNING."

These words mean:

⚠ DANGER

You can be killed or seriously injured if you don't immediately follow instructions.

⚠ WARNING

You can be killed or seriously injured if you don't follow instructions.

All safety messages will tell you what the potential hazard is, tell you how to reduce the chance of injury, and tell you what can happen if the instructions are not followed.

IMPORTANT SAFETY INSTRUCTIONS

WARNING: To reduce the risk of fire, electric shock, or injury when using your refrigerator, follow these basic precautions:

- Plug into a grounded 3 prong outlet.
- Do not remove ground prong.
- Do not use an adapter.
- Do not use an extension cord.
- Disconnect power before servicing.
- Replace all parts and panels before operating.
- Remove doors from your old refrigerator.
- Use nonflammable cleaner.
- Keep flammable materials and vapors, such as gasoline, away from refrigerator.
- Use two or more people to move and install refrigerator.
- Disconnect power before installing ice maker (on ice maker kit ready models only).
- Use a sturdy glass when dispensing ice (on some models).
- Do not hit the refrigerator glass doors (on some models).

SAVE THESE INSTRUCTIONS

Proper Disposal of Your Old Refrigerator

! WARNING

Suffocation Hazard

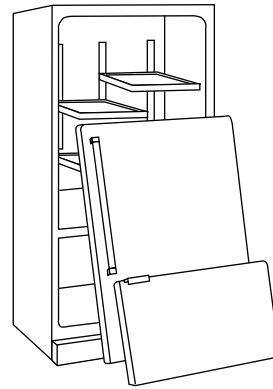
Remove doors from your old refrigerator.

Failure to do so can result in death or brain damage.

IMPORTANT: Child entrapment and suffocation are not problems of the past. Junked or abandoned refrigerators are still dangerous – even if they will sit for “just a few days.” If you are getting rid of your old refrigerator, please follow these instructions to help prevent accidents.

Before You Throw Away Your Old Refrigerator or Freezer:

- Take off the doors.
- Leave the shelves in place so that children may not easily climb inside.



INSTALLATION INSTRUCTIONS

Unpack the Refrigerator

! WARNING

Excessive Weight Hazard

Use two or more people to move and install refrigerator.

Failure to do so can result in back or other injury.

When Moving Your Refrigerator:

Your refrigerator is heavy. When moving the refrigerator for cleaning or service, be sure to cover the floor with cardboard or hardboard to avoid floor damage. Always pull the refrigerator straight out when moving it. Do not wiggle or “walk” the refrigerator when trying to move it, as floor damage could occur.

Remove the Packaging

- Remove tape and glue residue from surfaces before turning on the refrigerator. Rub a small amount of liquid dish soap over the adhesive with your fingers. Wipe with warm water and dry.
- Do not use sharp instruments, rubbing alcohol, flammable fluids, or abrasive cleaners to remove tape or glue. These products can damage the surface of your refrigerator. For more information, see “Refrigerator Safety.”
- Dispose of/recycle all packaging materials.

Clean Before Using

After you remove all of the packaging materials, clean the inside of your refrigerator before using it. See the cleaning instructions in “Refrigerator Care.”

Important information to know about glass shelves and covers:

Do not clean glass shelves or covers with warm water when they are cold. Shelves and covers may break if exposed to sudden temperature changes or impact, such as bumping. Tempered glass is designed to shatter into many small, pebble-size pieces. This is normal. Glass shelves and covers are heavy. Use both hands when removing them to avoid dropping.

Location Requirements

⚠ WARNING



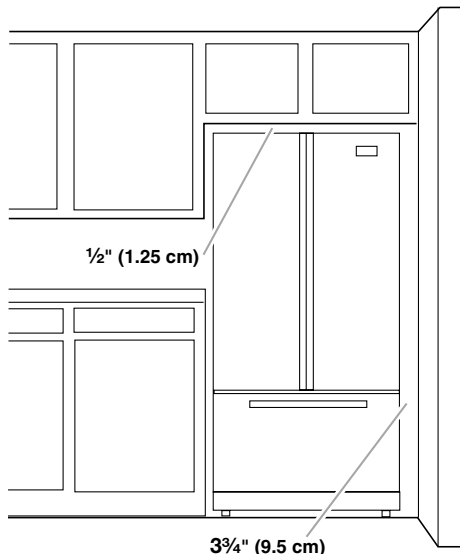
Explosion Hazard

Keep flammable materials and vapors, such as gasoline, away from refrigerator.

Failure to do so can result in death, explosion, or fire.

To ensure proper ventilation for your refrigerator, allow for a 1/2" (1.25 cm) of space on each side and at the top. Allow for a 1" (2.54 cm) space behind the refrigerator. If your refrigerator has an ice maker, allow extra space at the back for the water line connections. When installing your refrigerator next to a fixed wall, leave a 3/4" (9.5 cm) minimum space between the refrigerator and wall to allow the door to swing open.

NOTE: It is recommended that you do not install the refrigerator near an oven, radiator, or other heat source. Do not install the refrigerator in a location where the temperature will fall below 55°F (13°C).



Electrical Requirements

⚠ WARNING



Electrical Shock Hazard

Plug into a grounded 3 prong outlet.

Do not remove ground prong.

Do not use an adapter.

Do not use an extension cord.

Failure to follow these instructions can result in death, fire, or electrical shock.

Before you move your refrigerator into its final location, it is important to make sure you have the proper electrical connection.

Recommended Grounding Method

A 115 Volt, 60 Hz., AC only 15- or 20-amp fused, grounded electrical supply is required. It is recommended that a separate circuit serving only your refrigerator be provided. Use an outlet that cannot be turned off by a switch. Do not use an extension cord.

NOTE: Before performing any type of installation, cleaning, or removing a light bulb, turn Cooling OFF, and then disconnect the refrigerator from the electrical source. When you are finished, reconnect the refrigerator to the electrical source and turn Cooling ON. See "Using the Controls."

Water Supply Requirements

Gather the required tools and parts before starting installation. Read and follow the instructions provided with any tools listed here.

TOOLS NEEDED:

- Flat-blade screwdriver
- 1/4" Nut driver
- 7/16" and 1/2" Open-end or two adjustable wrenches
- 1/4" Drill bit
- Cordless drill

IMPORTANT:

- All installations must meet local plumbing code requirements.
- Do not use a piercing-type or 3/16" (4.76 mm) saddle valve which reduces water flow and clogs more easily.
- Use copper tubing and check for leaks. Install copper tubing only in areas where the household temperatures will remain above freezing.
- For models with water filters, the disposable water filter should be replaced at least every 6 months.

Water Pressure

A cold water supply with water pressure of between 35 and 120 psi (241 and 827 kPa) is required to operate the water dispenser and ice maker. If you have questions about your water pressure, call a licensed, qualified plumber.

Reverse Osmosis Water Supply

IMPORTANT: The pressure of the water supply coming out of a reverse osmosis system going to the water inlet valve of the refrigerator needs to be between 35 and 120 psi (241 and 827 kPa).

If a reverse osmosis water filtration system is connected to your cold water supply, the water pressure to the reverse osmosis system needs to be a minimum of 40 to 60 psi (276 to 414 kPa).

If the water pressure to the reverse osmosis system is less than 40 to 60 psi (276 to 414 kPa):

- Check to see whether the sediment filter in the reverse osmosis system is blocked. Replace the filter if necessary.
- Allow the storage tank on the reverse osmosis system to refill after heavy usage.
- If your refrigerator has a water filter, it may further reduce the water pressure when used in conjunction with a reverse osmosis system. Remove the water filter. See "Water Filtration System."

If you have questions about your water pressure, call a licensed, qualified plumber.

Connect the Water Supply

Read all directions before you begin.

IMPORTANT: If you turn the refrigerator on before the water line is connected, turn the ice maker OFF.

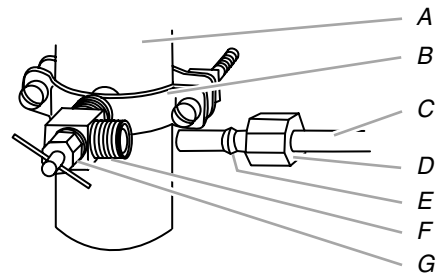
Connect to Water Line

1. Unplug refrigerator or disconnect power.
2. Turn OFF main water supply. Turn ON nearest faucet long enough to clear line of water.
3. Find a ½" to 1¼" (12.7 mm to 31.8 mm) vertical cold water pipe near the refrigerator.

IMPORTANT:

- Make sure it is a cold water pipe.
 - Horizontal pipe will work, but the following procedure must be followed: Drill on the top side of the pipe, not the bottom. This will help keep water away from the drill. This also keeps normal sediment from collecting in the valve.
4. Determine the length of copper tubing you need. Measure from the connection on the rear of the refrigerator to the water pipe. Add 7 ft (2.1 m) to allow for cleaning. Use ¼" (6.35 mm) O.D. (outside diameter) copper tubing. Be sure both ends of copper tubing are cut square.

5. Using a cordless drill, drill a ¼" hole in the cold water pipe you have selected.



A. Cold water pipe
B. Pipe clamp
C. Copper tubing
D. Compression nut
E. Compression sleeve
F. Shutoff valve
G. Packing nut

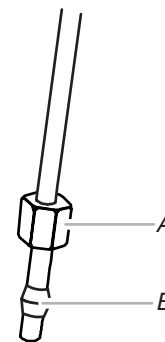
6. Fasten the shutoff valve to the cold water pipe with the pipe clamp. Be sure the outlet end is solidly in the ¼" drilled hole in the water pipe and that the washer is under the pipe clamp. Tighten the packing nut. Tighten the pipe clamp screws slowly and evenly so the washer makes a watertight seal. Do not overtighten.
 7. Slip the compression sleeve and compression nut on the copper tubing as shown. Insert the end of the tubing into the outlet end squarely as far as it will go. Screw compression nut onto outlet end with adjustable wrench. Do not overtighten or you may crush the copper tubing.
 8. Place the free end of the tubing in a container or sink, and turn ON the main water supply. Flush the tubing until water is clear. Turn OFF the shutoff valve on the water pipe.
-

Connect to Refrigerator

Depending on your model, the water line may come down from the top or up from the bottom. Follow the connection instructions for your model.

Style 1

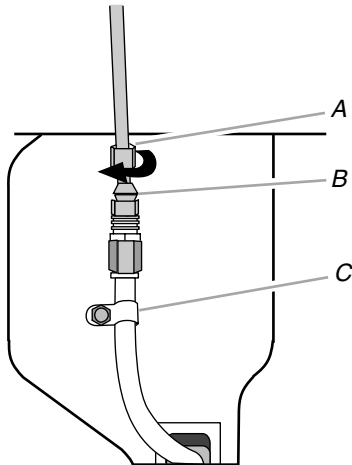
1. Remove the plastic cap from water supply connection. Place brass nut and compression sleeve on copper tube end as shown.



A. Brass nut
B. Compression sleeve

2. Place end of the copper tubing into the plastic water valve supply line. Slide the brass nut over the sleeve and screw the nut into supply line.
3. Using an adjustable wrench, hold the nut on the plastic water line to keep it from moving. Then, with a second wrench turn the nut on the copper tubing counterclockwise to completely tighten. Do not overtighten.

4. Check connection by pulling on the copper tubing.
5. Fasten the plastic water line to the refrigerator with a "P" clamp. Slide the plastic water line into the retainer.

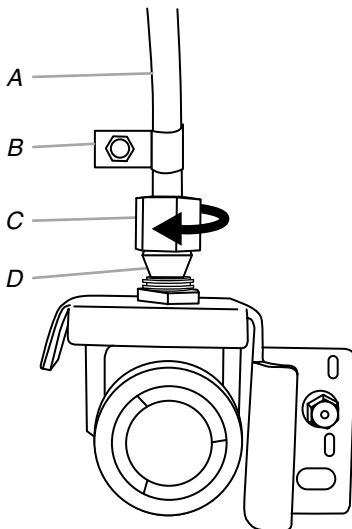


A. Brass nut
B. Compression sleeve
C. "P" clamp

6. Turn on water supply to refrigerator and check for leaks. Correct any leaks.

Style 2

1. Remove plastic cap from water valve inlet port. Attach the copper tube to the valve inlet using a compression nut and sleeve as shown. Tighten the compression nut. Do not overtighten. Confirm copper tubing is secure by pulling on the tubing.
2. Create a service loop with the copper tubing. Avoid kinks when coiling the tubing. Fasten the copper tubing to the refrigerator cabinet with a "P" clamp.



A. Copper tubing
B. "P" clamp
C. Compression nut
D. Compression sleeve

3. Turn on water supply to refrigerator and check for leaks. Correct any leaks.

Complete the Installation

⚠ WARNING



Electrical Shock Hazard

Plug into a grounded 3 prong outlet.

Do not remove ground prong.

Do not use an adapter.

Do not use an extension cord.

Failure to follow these instructions can result in death, fire, or electrical shock.

1. Plug into a grounded 3 prong outlet.
2. Flush the water system. See "Water and Ice Dispensers."

Refrigerator Doors and Drawer

All graphics referenced in the following instructions are included later in this section after "Final Steps."

Remove and Replace Handles

To Remove Handles:

1. Grasp the lower part of the handle firmly, slide the handle up and pull the handle straight out from the door. See Handle graphic.

To Replace Handles:

1. Position the handle so that the large holes in the mounting clips are down and align the holes with the door studs.
2. Rotate the handle so that the mounting clips are flat against the door and slide the handle down to engage. See Handle graphic.

Remove Doors and Hinges

IMPORTANT:

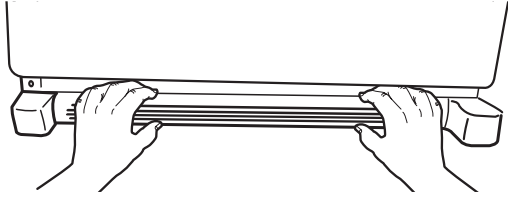
- Remove food and any adjustable door or utility bins from doors.
- Keep the refrigerator doors closed until you are ready to lift them free from the cabinet.

NOTE: Provide additional support for the refrigerator door while the hinges are being removed. Do not depend on the door gasket magnets to hold the door in place while you are working.

TOOLS NEEDED: 5/16", 3/8", 1/4" hex head socket wrench, Torx®† T20 screwdriver, #2 Phillips screwdriver, and a flat-blade screwdriver.

†TORX is a registered trademark of Textron Innovations Inc.

1. Unplug refrigerator or disconnect power.
2. Remove the base grille. Grasp the grille firmly and pull it toward you.



3. Starting with the right-hand side door, remove the parts for the top hinge as shown in Top Hinge graphic. Lift the refrigerator door from the bottom hinge pin.
4. Remove the top hinge cover from left-hand side refrigerator door.
5. Disconnect the wiring plug located on top of the hinge by wedging a flat-blade screwdriver or your fingernail between the two sections. See Connections graphic.
6. Disconnect the water line by pulling back on the locking collar while pulling the water line out of the water line connector. See Connections graphic.
7. Remove the parts for the top hinge as shown in Top Hinge graphic. Lift the left-hand side door from the bottom hinge pin.
8. Using a 3/8" hex wrench, remove the leveling leg brackets from the bottom of the cabinet. Keep screws for later use.

Replace Doors and Hinges

1. Assemble the parts for the top hinge as shown in Top Hinge graphic. Do not tighten the screws completely.
2. Replace the parts for the bottom hinge as shown in Bottom Hinge graphic. Tighten screws. Replace the refrigerator door.
NOTE: Provide additional support for the refrigerator door while the hinges are being moved. Do not depend on the door gasket magnets to hold the door in place while you are working.
3. Align the door so that the bottom of the refrigerator door aligns evenly with the top of the freezer drawer. Tighten all screws.
4. Reconnect the wiring plug on top of the left-hand side refrigerator door.
5. Reconnect the water line by pulling back the locking collar ring while firmly pushing the water line into the connector.
6. Check for leaks. Replace the top hinge covers.

Remove and Replace Refrigerator Drawer and Freezer Drawer

IMPORTANT: Two people may be required to remove and replace the freezer drawer. Graphics are included later in this section.

Remove Drawer Front

1. Open the drawer to full extension.
2. Loosen the two top screws attaching the drawer glide brackets to the drawer front. See Drawer Front Removal graphic.
NOTE: Loosen screws three to four turns. Keep the screws in the drawer front.
3. Remove the two bottom screws attaching the drawer glide brackets to the drawer front.
4. Lift the drawer front up and off the top screws. See Drawer Front Removal graphic.

Replace Drawer Front

1. Slide the drawer glides out of the compartment. Insert the two screws in the drawer front into the upper slots in the drawer glide brackets. See Drawer Front Replacement graphic.
2. Align the drawer glide brackets with the lower holes in the drawer front and refasten with the screws. See Drawer Front Replacement graphic.
3. Completely tighten the four screws.

Final Steps

1. Replace the base grille.

⚠ WARNING



Electrical Shock Hazard

Plug into a grounded 3 prong outlet.

Do not remove ground prong.

Do not use an adapter.

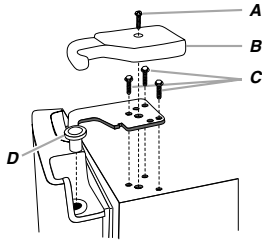
Do not use an extension cord.

Failure to follow these instructions can result in death, fire, or electrical shock.

2. Plug into a grounded 3 prong outlet.
3. Return all removable parts to doors and drawer and food to refrigerator and freezer.

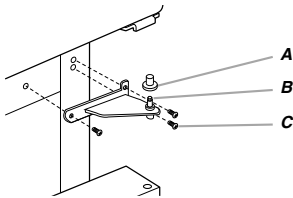
Door Removal & Replacement

Top Hinges



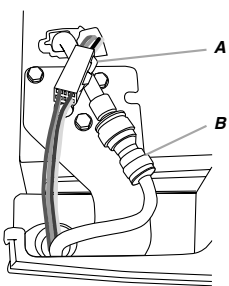
- A. Hinge Cover Screw
- B. Top Hinge Cover
- C. $\frac{5}{16}$ " Hex Head Hinge Screws
- D. Top Hinge

Bottom Hinges

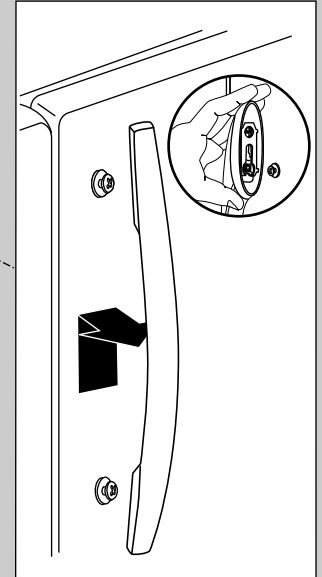
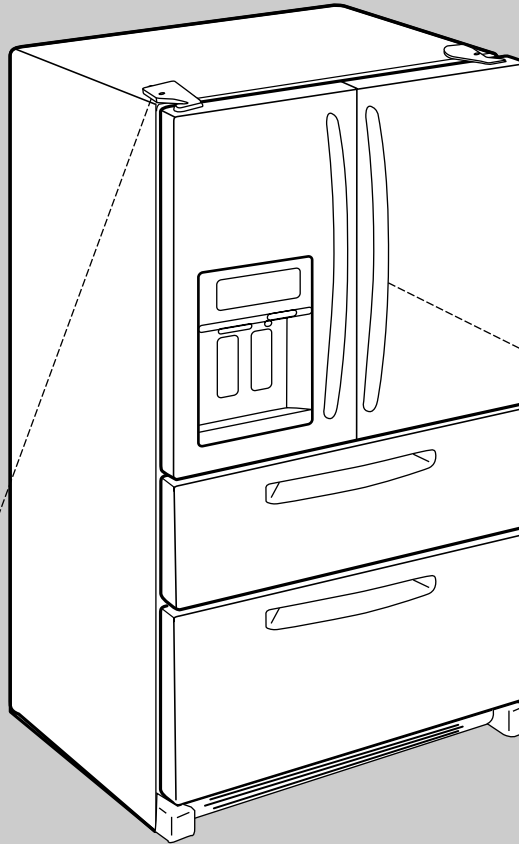


- A. Hinge Pin Cover
- B. Bottom Hinge
- C. Hinge Screws

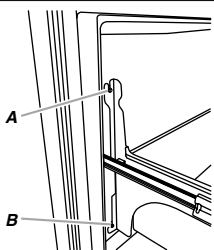
Connections



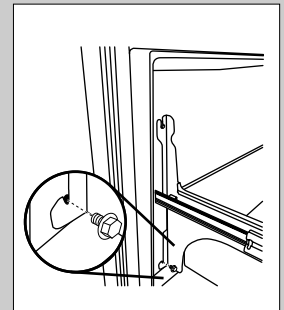
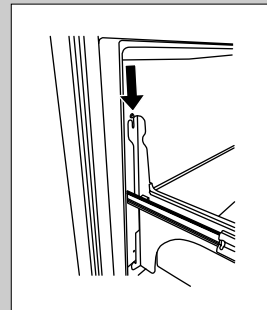
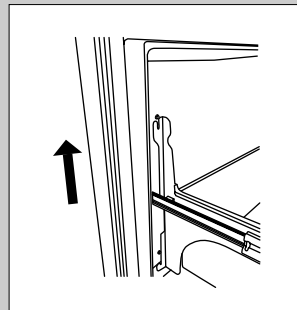
- A. Wiring Plug
- B. Water Line Connection



Drawer Front Removal



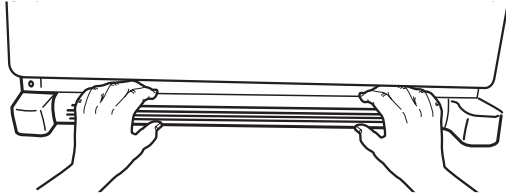
- A. Loosen 2 Drawer Glide Bracket Screws
- B. Remove 2 Drawer Glide Bracket Screws



Adjust the Doors

IMPORTANT:

- Your refrigerator has two adjustable, front leveling screws – one on each side of the refrigerator base. If your refrigerator seems unsteady or you want the door to close easier, use the instructions below.
 - Before moving the refrigerator, raise the leveling screws so the front rollers are touching the floor.
1. Remove the base grille. Grasp the grille firmly and pull it toward you.

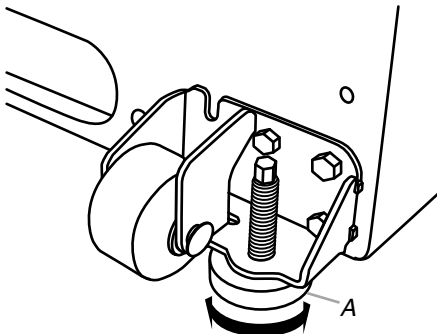


2. Raise or lower the cabinet.

Using a 1/4" hex driver, turn the leveling screw on each side to raise or lower that side of the refrigerator.

NOTE: Having someone push against the top of the refrigerator takes some weight off the leveling screws. This makes it easier to turn the screws. It may take several turns of the leveling screw to adjust the tilt of the refrigerator.

- To raise, turn the leveling screw clockwise.
- To lower, turn the leveling screw counterclockwise.



A. Leveling screw

3. Open the door again to make sure that it closes as easily as you like. If not, tilt the refrigerator slightly more to the rear by turning both leveling screws clockwise. It may take several more turns, and you should turn both screws the same amount.
4. Replace the base grille.

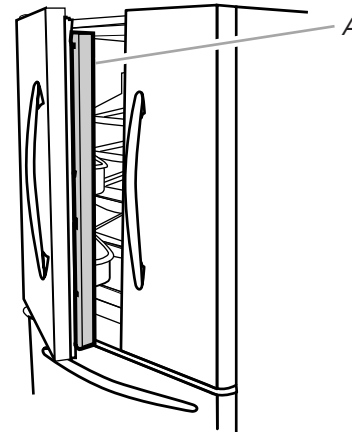
REFRIGERATOR USE

Opening and Closing Doors

There are two refrigerator compartment doors. The doors can be opened and closed either separately or together.

There is a vertically-hinged seal on the left refrigerator door.

- When the left side door is opened, the hinged seal automatically folds inward so that it is out of the way.
- When both doors are closed, the hinged seal automatically forms a seal between the two doors.



A. Hinged seal

Using the Controls

The refrigerator and freezer controls are located on the dispenser panel and display screen.



Display screen

Language Selection

The language of the text on the display screen can be set to English, Spanish or French.

- To change the display screen text from English to Spanish or French, press the HOME button on the dispenser panel. On the display screen, press OPTIONS, then PREFERENCIAS, then LANGUAGE. Select ESPAÑOL (Spanish) or FRANÇAIS (French), wait 15 seconds or press BACK, and the screen text will be changed.
- To change the display screen text from Spanish to English, press the HOME button on the dispenser panel. On the display screen, press OPCIONES, then PREFERENCIAS, then IDIOMA. Select INGLÉS, wait 15 seconds or press ATRÁS, and the screen text will be changed.
- To change the display screen text from French to English, press the HOME button on the dispenser panel. On the display screen, press OPTIONS, then PRÉFÉRENCES, then LANGUE. Select ANGLAIS, wait 15 seconds or press RETOUR, and the screen text will be changed.

Temperature Controls

For your convenience, your refrigerator and freezer controls are preset at the factory.

To view set points, press the TEMP button on the dispenser panel. The factory recommended set points are 0°F (-18°C) for the freezer and 38°F (3°C) for the refrigerator.

IMPORTANT:

- Wait 24 hours before you put food into the refrigerator. If you add food before the refrigerator has cooled completely, your food may spoil.

NOTE: Adjusting the set points to a higher (colder) than recommended setting will not cool the compartments any faster.

- The preset settings should be correct for normal household usage. The controls are set correctly when milk or juice is as cold as you like and when ice cream is firm.
- Wait at least 24 hours between adjustments. Recheck the temperatures before other adjustments are made.
- The display screen on the dispenser control panel has a backlight, which will turn off automatically when the controls have not been used for 2 minutes or more. When the backlight is off, the first press of a control button or the display screen will only reactivate the backlight, without changing any settings. Within 2 minutes after the backlight has been reactivated, additional presses of control buttons or the display screen will change the applicable settings.

Adjusting the Controls

To adjust the set points, press the TEMP button on the dispenser panel. Set points and adjusting information will appear on the display screen.

Refrigerator Controls

Make sure REFRIGERATOR is selected. The up and down arrows on the display screen allow you to adjust the refrigerator compartment temperature. The set point range for the refrigerator is 33°F to 45°F (0°C to 7°C).

- Press the down arrow to lower the set point.
- Press the up arrow to raise the set point.

NOTE: To view Celsius temperatures, press UNITS. To return the display setting to Fahrenheit, press UNITS again.

Freezer Controls

Make sure FREEZER is selected. The up and down arrows on the display screen allow you to adjust the freezer compartment temperature. The set point range for the freezer is -5°F to 5°F (-21°C to -15°C).

- Press the down arrow to lower the set point.
- Press the up arrow to raise the set point.

NOTE: To view Celsius temperatures, press UNITS. To return the display setting to Fahrenheit, press UNITS again.

CONDITION:	TEMPERATURE ADJUSTMENT:
REFRIGERATOR too cold	REFRIGERATOR Setting 1° higher
REFRIGERATOR too warm	REFRIGERATOR Setting 1° lower
FREEZER too cold	FREEZER Setting 1° higher
FREEZER too warm/too little ice	FREEZER Setting 1° lower

- Press BACK to exit adjust mode.

Cooling On/Off

To turn cooling off, press and hold the TEMP button on the dispenser panel for 3 seconds. Your refrigerator and freezer will not cool when cooling is off.

To turn cooling back on, press and hold the TEMP button for 3 seconds again.

Door Ajar Alarm

The Door Ajar Alarm feature sounds an alarm when the refrigerator door or drawer, or freezer drawer is open for 5 minutes and the cooling is turned on. The alarm will repeat every 2 minutes.

- Close all doors and drawers to turn the alarm off. The alarm resets and will sound again when any door or drawer is left open for 5 minutes.
- If you need to keep the doors or drawers open and wish to silence the alarm for up to 5 minutes, press SNOOZE on the display screen.
- If you need to keep the doors open and wish to silence the alarm for longer than 5 minutes, press RESET on the display screen. The alarm will remain off until all doors and drawers are closed. The alarm resets and will sound again when any door or drawer is left open for 5 minutes.

Power Outage Indicator (on some models)

The power outage indicator lets you know if the power supply to your refrigerator is cut off for more than 1 hour.

When power is restored, a power outage alert will appear on the display screen. The display shows how long the refrigerator was without power, using exact times if the clock has been set.

When the indicator is on, all other dispenser functions are disabled. To use the dispenser, you must reset the power outage indicator.

- Press RESET on the display screen, then press YES to confirm that you want to reset the indicator.
- From the Home screen, you can view the power outage history for the refrigerator. Press OPTIONS, then OUTAGE.

Features

Nutrition

Provides nutrition information, including serving size and calories, for foods from common food groups such as dairy, fruit, grain, meat and fish, vegetables and others.

Quick Tips

Provides detailed information about the external and internal features of the refrigerator.

Ice

The ice maker can produce crushed and cubed ice. Before dispensing ice, press ICE on the display screen to select which type of ice you would like to dispense. The display screen indicates which type of ice is selected. See “Water and Ice Dispensers.”

Light

If you want the light to be on continuously, press LIGHT on the display screen to toggle between the ON and OFF settings. The display screen indicates which mode is selected.

ON: The dispenser light will remain on at a consistent brightness.

OFF: The dispenser light will remain off except when dispensing water or ice.

NOTE: The dispenser lights are LEDs that cannot be changed. If it appears that your dispenser lights are not working, see “Troubleshooting” for more information.

Water

To select standard or measured dispensing. Measured fill allows you to dispense water by the ounce, cup, or liter. See “Water and Ice Dispensers.”

Options

Lock

The dispensers can be turned off for easy cleaning or to avoid unintentional dispensing by small children and pets. See “Water and Ice Dispensers.”

Max Cool

The Max Cool feature assists with periods of frequent use, full grocery loads, or temporarily warm room temperatures.

On the display screen, press OPTIONS, then MAX COOL. The display screen indicates whether the feature is on or off. Press the MAX COOL icon to toggle between settings.

Once activated, the Max Cool setting will remain on for 24 hours unless manually turned off. The display will continue to show your normal temperature set points.

NOTE: Setting the freezer to a colder temperature may make some foods, such as ice cream, harder.

Kitchen Timer

To assist with general kitchen activities, the controls include a timer feature.

1. On the display screen, press OPTIONS, then TIMER.
2. Use the up and down arrows to adjust the hours and minutes as desired.
3. To start the timer countdown, press START. The timer will not initiate if you exit the timer screen without pressing START.

- When the timer is counting down, press PAUSE to pause the countdown. Press START again to restart the countdown.
- To reset the timer to zero, press RESET at any time.
- Press MAXIMIZE to increase the size of the countdown on the display screen. When the countdown reaches zero, the display will return to the previous screen.

IMPORTANT: When using the timer, you can also use other control and dispenser features. Press the HOME button on the dispenser panel. The timer countdown will be shown at the top of the display screen.

4. When the countdown reaches zero, the timer clock will blink and a tone will sound, repeating every 30 seconds. Press RESET to turn off the tone and reset the timer feature.

Water Filter

Provides water filter status and replacement filter ordering information. After replacing the water filter, press RESET to change the water filter status. See “Water Filter System.”

Use and Care

Provides assistance or service information and brief answers to some frequently asked questions.

Preference

Allows you to set Language preference. See “Using the Controls.” Allows you to set Ice, Water and Dispensing preferences. See “Water and Ice Dispensers.”

Outage

Provides a power outage history showing the dates and times the power was out. See “Water and Ice Dispensers.”

Ice Maker

Allows you to turn the ice maker on and off. See “Ice Maker and Ice Storage Bin.”

Settings

Time and Date

- To change the time and date displayed, press OPTIONS, then SETTINGS, then TIME & DATE.

To change the time, use the up and down arrows.

To change the date, press CHANGE DATE, then use the arrows to adjust the setting as desired.

Sound Volume

- To adjust the volume of all dispenser and control sounds, press OPTIONS, then SETTINGS, then VOLUME. Select the desired volume, then wait 15 seconds or press BACK.

NOTE: Selecting MUTE will not disable the Door Ajar Alarm.

Screen Brightness

- To adjust the brightness of the display screen, press OPTIONS, then SETTINGS, then BRIGHTNESS. Select the desired brightness, then wait 15 seconds or press BACK.

Factory Reset

- To reset all system settings and preferences to the factory defaults, press OPTIONS, then SETTINGS, then FACTORY RESET. On the next screen, press YES to confirm. If you unintentionally press YES instead of NO, you will have 3 seconds to press CANCEL and retain your custom settings.

IMPORTANT: When choosing to return to the default settings, all customized preferences will be lost - including temperature set points, dispensing preferences and presets, language selection, volume and brightness settings, and time and date.

Touch Screen Care

IMPORTANT: Do not use sharp objects when using the touch screen. Doing so could damage the screen.

For information about cleaning the touch screen, see “Cleaning.”

Ice Maker and Ice Storage Bin

IMPORTANT:

- Flush the water system before turning on the ice maker. See “Water and Ice Dispensers.”
 - The ice maker and storage bin are located in the upper left-hand side of the refrigerator compartment.
-

Turning the Ice Maker On/Off

The ice maker has an automatic shutoff. When the ice maker is on, sensors will automatically stop ice production when the storage bin is full. The ice maker will remain set to ON, and ice production will resume when the bin is no longer full.

To manually turn off the ice maker, press the ice maker icon or OPTIONS on the main display screen, then ICE MAKER. On the next screen, press ICE MAKER again to toggle between ON and OFF. When the ice maker is set to OFF, it will stop producing ice.

Removing and Replacing Ice Storage Bin

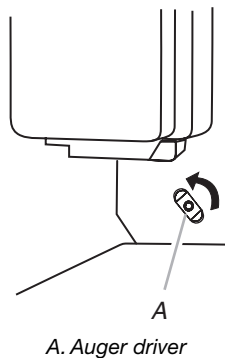
To Remove the Ice Storage Bin:

1. Hold the base of the storage bin and press the release button.
2. Pull out the storage bin.

To Replace the Ice Storage Bin:

IMPORTANT: It may be necessary to turn the auger driver, behind the ice bin, counterclockwise to properly align the ice bin with the auger driver. The ice storage bin must be locked in place for proper ice dispensing.

1. Slide the ice bin into the guide rails located on either side of the enclosure.
2. Push the ice bin in until resistance is felt. Raise the front slightly and push the ice bin in until an audible “click” is heard.



Ice Production Rate

- Allow 24 hours to produce the first batch of ice. Discard the first three batches of ice produced.
- The ice maker should produce approximately 8 to 12 batches of ice in a 24-hour period.
- To increase ice production, lower the freezer and refrigerator temperature. See “Using the Controls.” Wait 24 hours between adjustments.

NOTE: Setting the freezer to a colder temperature may make some foods, such as ice cream, harder.

Remember

- The quality of your ice will be only as good as the quality of the water supplied to your ice maker. Avoid connecting the ice maker to a softened water supply. Water softener chemicals (such as salt) can damage parts of the ice maker and lead to poor quality ice. If a softened water supply cannot be avoided, make sure the water softener is operating properly and is well maintained.
 - Do not use anything sharp to break up the ice in the bin. This can cause damage to the ice bin and dispenser mechanism.
 - Do not store anything in the ice storage bin.
-

Water and Ice Dispensers

IMPORTANT:

- After connecting the refrigerator to a water source or replacing the water filter, flush the water system. Use a sturdy container to depress and hold the water dispenser lever for 5 seconds, then release it for 5 seconds. Repeat until water begins to flow. Once water begins to flow, continue depressing and releasing the dispenser lever (5 seconds on, 5 seconds off) until a total of 4 gal. (15 L) has been dispensed. This will flush air from the filter and water dispensing system, and prepare the water filter for use. Additional flushing may be required in some households. As air is cleared from the system, water may spurt out of the dispenser.
 - Allow 24 hours for the refrigerator to cool down and chill water.
 - Allow 24 hours to produce the first batch of ice. Discard the first three batches of ice produced.
-

Water Dispenser

IMPORTANT: Dispense enough water every week to maintain a fresh supply.

The default display unit for water dispensing is ounces. The units can be changed to cups or liters.

To Dispense Water (Standard):

1. Press a sturdy glass against the water dispenser pad OR place the glass below the water dispenser and press the water dispenser button.



2. Remove the glass OR release the button to stop dispensing.

To Dispense Water (Measured Fill):

Measured Fill allows you to dispense a specified amount of water with the touch of a few buttons.

NOTE: The amount of water you select will be dispensed. Be sure that the container is empty and can hold the entire volume. If ice is in the container, you may need to adjust your selection.

1. Press WATER on the display screen to turn the feature on.

NOTE: The dispenser will automatically exit the Measured Fill screen after 15 seconds of inactivity.

2. You can dispense water by the ounce, cup, or liter. Press UNITS to select your desired setting. Minimum and maximum volumes are listed below.

Units	Minimum	Maximum
Ounces	1	128
Cups	1/4	16
Liters	0.05	4

3. Press the up and down arrows to adjust the volume as desired.

NOTE: Most coffee cups (commonly 4 to 6 oz [118 to 177 mL] per cup) are not the same size as a measuring cup (8 oz [237 mL]). You may need to adjust the volume to avoid unintentionally overfilling coffee cups. The Measured Fill feature is based on standard household water pressure of 60 psi. Users with low water pressure may need to adjust the volume selection accordingly.

4. To dispense water, press a sturdy glass against the water dispenser pad OR place the glass below the water dispenser and press the water dispenser button.



NOTE: While dispensing water, the digital display will count down how much water remains to be dispensed, according to the volume you selected. The flow of water will automatically stop once the desired volume has been dispensed.

5. To stop dispensing before the selected volume has been dispensed, remove the glass from the dispenser pad OR press the water dispenser button a second time.

NOTE: If you stop dispensing before the desired volume has been dispensed, the digital display will continue to show how much water remains to be dispensed. The display will exit the Measured Fill screen after 15 seconds of inactivity.

To select a new volume or select the same volume again, you must first finish dispensing the selected volume, or turn off the Measured Fill feature and then turn it back on.

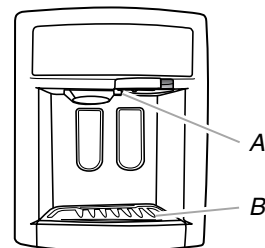
Preset Volumes

The dispenser can store up to three preset water volumes, for easy dispensing into commonly used containers.

- To store presets, press WATER, then PRESET. Locate a blank or unwanted preset on the display screen. Press and hold that preset for 3 seconds, and the preset adjustment menu will appear on the display screen. Adjust the units and volume of water as desired, as instructed in steps 2 and 3 of the previous section. Press PRESET to save the preset.
- To use presets, press WATER, then PRESET, then press and release the desired preset. Dispense water as instructed in steps 4 and 5 of the previous section.

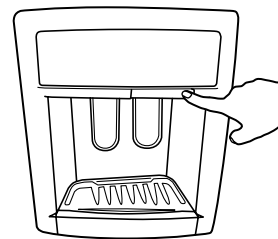
Rotating Faucet and Pull-out Tray (on some models)

On some models, the dispenser has a rotating water faucet and a pull-out tray at the bottom.



A. Faucet rotated
B. Pull-out tray

- The faucet rotates to the center to allow for easy dispensing into large containers. To rotate it, push in on the right-hand side of the faucet as shown.



Push in on the left-hand side to rotate the faucet back into place.

NOTE: When using the dispenser with the faucet rotated, do not use the water dispenser pad. Only use the water dispenser button to dispense. Dispensing by pressing the container against the water dispenser pad may result in unintentional spilling.

- The tray can be pulled out a bit in order to better support large containers. It is designed to catch small spills and allow for easy cleaning. There is no drain in the tray.

NOTE: The tray can be removed from the dispenser and carried to the sink to be emptied or cleaned. Pull the tray out until it hits the stop, then gently lift up on the back of the tray and slide it out the rest of the way.

Ice Dispenser

Ice dispenses from the ice maker storage bin in the freezer when the dispenser pad is pressed. The dispensing system will not operate when the refrigerator door is open. To turn off the ice maker, see "Ice Maker and Ice Storage Bin."

Your ice maker can produce crushed and cubed ice. Before dispensing ice, press ICE on the display screen to select which type of ice you would like to dispense.


The display screen indicates which type of ice is selected. For crushed ice, cubes are crushed before being dispensed. This may cause a slight delay when dispensing crushed ice. Noise from the ice crusher is normal, and pieces of ice may vary in size.

When changing from crushed to cubed, a few ounces of crushed ice will be dispensed along with the first cubes.

To Dispense Ice:

1. Select the desired type of ice.

! WARNING



Cut Hazard
Use a sturdy glass when dispensing ice.
Failure to do so can result in cuts.

2. Press a sturdy glass against the ice dispenser pad OR place the glass below the ice dispenser and press the ice dispenser button.



Hold the glass close to the dispenser opening so ice does not fall outside of the glass.

IMPORTANT: You do not need to apply a lot of pressure to the pad or button in order to activate the ice dispenser. Pressing hard will not make the ice dispense faster or in greater quantities.

3. Remove the glass OR release the button to stop dispensing.

NOTE: Ice may continue to dispense for up to 10 seconds after removing the glass from the pad or releasing the button. The dispenser may continue to make noise for a few seconds after dispensing.

Dispenser Light

When you use the dispenser, the light will automatically turn on. If you want the light to be on continuously, see “Using the Controls.”

Dispenser Lock

The dispenser can be turned off for easy cleaning or to avoid unintentional dispensing by small children and pets.

NOTE: The lock feature does not shut off power to the refrigerator, to the ice maker, or to the dispenser light. It simply deactivates the dispenser controls and levers. To turn off the ice maker, see “Ice Maker and Ice Storage Bin.”

- To lock the dispenser, press **OPTIONS**, then **LOCK**, then **YES**. The display screen will confirm when the dispenser is locked.
- To unlock the dispenser, press **OPTIONS**, then **LOCK**, then **YES**. The display screen will confirm when the dispenser is unlocked.

Water Filter Status Light

The water filter status light will help you know when to change your water filter. When the water filter status display changes from “NORMAL” to “ORDER,” this tells you that it is almost time to change the water filter. Replace the disposable water filter when the water filter status display changes to “REPLACE.” The **REPLACE** (red) icon will blink and an alert beep will sound one time after water is dispensed.”

If water flow to your water dispenser or ice maker decreases noticeably, change the filter sooner. The disposable water filter should be replaced at least every 6 months depending on your water quality and usage. To change the filter, see “Water Filtration System.”

INDICATOR:	STATUS:
NORMAL (green)	New filter installed
ORDER (yellow)	Order filter
REPLACE (red) OR when water flow decreases	Replace water filter

After changing the water filter, reset the status light. On the display screen, press **OPTIONS**, then **WATER FILTER**, then **RESET**, then **YES**. The status light will change from **REPLACE** (red) to **NORMAL** (green) when the system is reset.

Water Filtration System

The water filter is located in the upper right-hand corner of the refrigerator compartment.

Do not use with water that is microbiologically unsafe or of unknown quality without adequate disinfection before or after the system. Systems certified for cyst reduction may be used on disinfected waters that may contain filterable cysts.

IMPORTANT: The disposable water filter should be replaced at least every 6 months. If the water flow to the water dispenser or ice maker decreases noticeably before 6 months have passed, replace the water filter more often.

Replacing the Water Filter

To purchase a replacement water filter, Part Number UKF8001AXX, contact your dealer or call **1-877-232-6771** in the U.S.A. or **1-800-807-6777** in Canada.

IMPORTANT: Air trapped in the water system may cause water and filter to eject. Always dispense water for at least 2 minutes before removing the filter or blue bypass cap.

1. To access the filter, press upward on the ribbed section of the water filter cover.
2. Turn filter counterclockwise to remove.
3. Remove sealing label from replacement filter and insert the filter end into the filter head.
4. Turn the filter clockwise until it stops. Snap the filter cover closed.
5. Flush the water system. See “Water and Ice Dispensers.”

NOTE: The dispenser feature may be used without a water filter installed. Your water will not be filtered. If this option is chosen, replace the filter with the blue bypass cap.

REFRIGERATOR CARE

Cleaning

⚠ WARNING



Explosion Hazard

Use nonflammable cleaner.

Failure to do so can result in death, explosion, or fire.

Both the refrigerator and freezer sections defrost automatically. However, clean both sections about once a month to avoid odor buildup. Wipe up spills immediately.

IMPORTANT:

- Because air circulates between all compartments, any odors formed in one compartment will transfer to the other. You must thoroughly clean all compartments to eliminate odors. To avoid odor transfer and drying out of food, wrap or cover foods tightly.
- Do not use abrasive or harsh cleaners such as window sprays, scouring cleansers, flammable fluids, cleaning waxes, concentrated detergents, nail polish remover, bleaches or cleansers containing petroleum products. Do not use paper towels, scouring pads, or other harsh cleaning tools that may scratch or damage the materials.

Clean the Interior

1. Unplug refrigerator or disconnect power.
2. Using a clean sponge or soft cloth and a mild detergent in warm water, hand wash, rinse, and dry removable parts and interior surfaces thoroughly.
3. Plug in refrigerator or reconnect power.

Clean the Touch Screen Display on the Dispenser Panel

1. Make sure the refrigerator is unplugged or the power is disconnected before wiping the screen, to avoid unintentionally changing the settings.
2. Mix a solution of mild detergent in warm water. Dampen a soft, lint-free cloth with the solution and gently wipe the screen.

NOTE: Do not spray or wipe liquids directly onto the screen, or over-saturate the cloth.

3. Plug in refrigerator or reconnect power.

Clean the Exterior Surfaces

1. Unplug refrigerator or disconnect power.
2. Using a clean sponge or soft cloth and a mild detergent in warm water, wash, rinse and thoroughly dry stainless steel and painted metal exteriors.
 - To keep your stainless steel refrigerator looking like new and to remove minor scuffs or marks, it is suggested that you use the manufacturer's approved Stainless Steel Cleaner and Polish, Part Number 20000008. To order the cleaner, call **1-800-232-6771** U.S.A. or **1-800-807-6777** Canada.

IMPORTANT: This cleaner is for stainless steel parts only!

Do not allow the Stainless Steel Cleaner and Polish to come into contact with any plastic parts such as the trim pieces, dispenser covers or door gaskets. If unintentional contact does occur, clean plastic part with a sponge and mild detergent in warm water. Dry thoroughly with a soft cloth.

3. Plug in refrigerator or reconnect power.

Clean the Condenser

There is no need for routine condenser cleaning in normal home operating environments. If the environment is particularly greasy or dusty, or there is significant pet traffic in the home, the condenser should be cleaned every 2 to 3 months to ensure maximum efficiency.

If you need to clean the condenser:

1. Unplug refrigerator or disconnect power.
2. Remove the base grille.
3. Use a vacuum cleaner with a soft brush to clean the grille, the open areas behind the grille and the front surface area of the condenser.
4. Replace the base grille when finished.
5. Plug in refrigerator or reconnect power.

Changing the Light Bulb

NOTE: Not all appliance bulbs will fit your refrigerator. Be sure to replace the bulb with an appliance bulb of the same size, shape, and wattage (no greater than 40 watts).

- The dispenser lights are LEDs that cannot be changed.
- On some models, the interior lights are LEDs that cannot be changed.
- Some models may have LEDs in one compartment and an appliance bulb in another compartment.

To Replace an Appliance Bulb:

1. Unplug refrigerator or disconnect power.
2. Replace burned-out bulb(s) with appliance light bulb(s) no greater than 40 watts.
3. Plug in refrigerator or reconnect power.

TROUBLESHOOTING

First try the solutions suggested here or visit our website and reference FAQs (Frequently Asked Questions) to possibly avoid the cost of a service call.
In the U.S.A., www.maytag.com In Canada, www.maytag.ca

Refrigerator Operation

The refrigerator will not operate

WARNING



Electrical Shock Hazard

Plug into a grounded 3 prong outlet.

Do not remove ground prong.

Do not use an adapter.

Do not use an extension cord.

Failure to follow these instructions can result in death, fire, or electrical shock.

- **Power cord unplugged?** Plug into a grounded 3 prong outlet.
- **Is outlet working?** Plug in a lamp to see if the outlet is working.
- **Household fuse blown or circuit breaker tripped?** Replace the fuse or reset the circuit breaker. If the problem continues, call an electrician.
- **Are controls on?** Make sure the refrigerator controls are on. See "Using the Control(s)."
- **New installation?** Allow 24 hours following installation for the refrigerator to cool completely.
NOTE: Adjusting the temperature controls to coldest setting will not cool either compartment more quickly.

The motor seems to run too much

Your new refrigerator may run longer than your old one due to its high-efficiency compressor and fans. The unit may run even longer if the room is warm, a large food load is added, doors are opened often, or if the doors have been left open.

The refrigerator seems noisy

Refrigerator noise has been reduced over the years. Due to this reduction, you may hear intermittent noises from your new refrigerator that you did not notice from your old model. Below are listed some normal sounds with explanations.

- **Buzzing** - heard when the water valve opens to fill the ice maker
- **Pulsating** - fans/compressor adjusting to optimize performance
- **Hissing/Rattling** - flow of refrigerant, movement of water lines, or from items placed on top of the refrigerator
- **Sizzling/Gurgling** - water dripping on the heater during defrost cycle
- **Popping** - contraction/expansion of inside walls, especially during initial cool-down
- **Water running** - may be heard when ice melts during the defrost cycle and water runs into the drain pan
- **Creaking/Cracking** - occurs as ice is being ejected from the ice maker mold.

The doors will not close completely

- **Door blocked open?** Move food packages away from door.
- **Bin or shelf in the way?** Push bin or shelf back into the correct position.

The doors are difficult to open

WARNING



Explosion Hazard

Use nonflammable cleaner.

Failure to do so can result in death, explosion, or fire.

- **Gaskets dirty or sticky?** Clean gaskets and contact surfaces with mild soap and warm water. Rinse and dry with soft cloth.

Temperature and Moisture

Temperature is too warm

- **New installation?** Allow 24 hours following installation for the refrigerator to cool completely.
- **Door(s) opened often or left open?** Allows warm air to enter refrigerator. Minimize door openings and keep doors fully closed.
- **Large load of food added?** Allow several hours for refrigerator to return to normal temperature.
- **Controls set correctly for the surrounding conditions?** Adjust the controls a setting colder. Check temperature in 24 hours. See "Using the Control(s)."

Temperature is too cold in refrigerator

- **Refrigerator air vent blocked?** If the air vent located in the top, left, rear corner of the refrigerator compartment is blocked by items placed directly in front of it, the refrigerator will get too cold. Move items away from the air vent.
- **Ice storage bin in correct position?** See "Ice Maker and Ice Storage Bin."
- **Controls set correctly for the surrounding conditions?** Adjust the controls a setting warmer. Check temperature in 24 hours. See "Using the Control(s)."

There is interior moisture buildup

NOTE: Some moisture buildup is normal.

- **Humid room?** Contributes to moisture buildup.
- **Door(s) opened often or left open?** Allows humid air to enter refrigerator. Minimize door openings and keep doors fully closed.

Ice and Water

The ice maker is not producing ice or not enough ice

- **Refrigerator connected to a water supply and the supply shutoff valve turned on?** Connect refrigerator to water supply and turn water shutoff valve fully open.
- **Kink in the water source line?** A kink in the line can reduce water flow. Straighten the water source line.
- **Ice maker turned on?** Make sure ice maker is on. See "Ice Maker and Ice Storage Bin."
- **New installation?** Wait 24 hours after ice maker installation for ice production to begin. Wait 72 hours for full ice production.
- **Refrigerator door closed completely?** Close the door firmly. If it does not close completely, see "The doors will not close completely."

- **Large amount of ice recently removed?** Allow 24 hours for ice maker to produce more ice.
- **Ice cube jammed in the ice maker ejector arm?** Remove ice from the ejector arm with a plastic utensil.
- **Water filter installed on the refrigerator?** Remove filter and operate ice maker. If ice volume improves, then the filter may be clogged or incorrectly installed. Replace filter or reinstall it correctly.
- **Reverse osmosis water filtration system connected to your cold water supply?** This can decrease water pressure. See "Water Supply Requirements."

The ice cubes are hollow or small

NOTE: This is an indication of low water pressure.

- **Water shutoff valve not fully open?** Turn the water shutoff valve fully open.
- **Kink in the water source line?** A kink in the line can reduce water flow. Straighten the water source line.
- **Water filter installed on the refrigerator?** Remove filter and operate ice maker. If ice quality improves, then the filter may be clogged or incorrectly installed. Replace filter or reinstall it correctly.
- **Reverse osmosis water filtration system connected to your cold water supply?** This can decrease water pressure. See "Water Supply Requirements."
- **Questions remain regarding water pressure?** Call a licensed, qualified plumber.

Off-taste, odor or gray color in the ice

- **New plumbing connections?** New plumbing connections can cause discolored or off-flavored ice.
- **Ice stored too long?** Discard ice. Wash ice bin. Allow 24 hours for ice maker to make new ice.
- **Odor transfer from food?** Use airtight, moisture proof packaging to store food.
- **Are there minerals (such as sulfur) in the water?** A water filter may need to be installed to remove the minerals.
- **Water filter installed on the refrigerator?** Gray or dark discoloration in ice indicates that the water filtration system needs additional flushing. Flush the water system before using a new water filter. Replace water filter when indicated. See "Water Filtration System."

The water and ice dispenser will not operate properly

- **Refrigerator connected to a water supply and the supply shutoff valve turned on?** Connect refrigerator to water supply and turn water shutoff valve fully open.
- **Kink in the water source line?** Straighten the water source line.
- **New installation?** Flush and fill the water system. See “Water and Ice Dispensers.”
- **Is the water pressure at least 35 psi (241 kPa)?** The water pressure to the home determines the flow from the dispenser. See “Water Supply Requirements.”
- **Water filter installed on the refrigerator?** Remove filter and operate dispenser. If water flow increases, the filter may be clogged or incorrectly installed. Replace filter or reinstall it correctly.
- **Refrigerator door closed completely?** Close the door firmly. If it does not close completely, see “The doors will not close completely.”
- **Recently removed the doors?** Make sure the water dispenser wire/tube assembly has been properly reconnected at the top of the refrigerator door. See “Refrigerator Doors and Drawer.”
- **Reverse osmosis water filtration system connected to your cold water supply?** This can decrease water pressure. See “Water Supply Requirements.”

Water is leaking from the dispenser system

- NOTE:** One or two drops of water after dispensing is normal.
- **Glass not being held under the dispenser long enough?** Hold the glass under the dispenser 2 to 3 seconds after releasing the dispenser lever.
 - **New installation?** Flush the water system. See “Water and Ice Dispensers.”
 - **Recently changed water filter?** Flush the water system. See “Water and Ice Dispensers.”

Water from the dispenser is warm

- NOTE:** Water from the dispenser is only chilled to 50°F (10°C).
- **New installation?** Allow 24 hours after installation for the water supply to cool completely.
 - **Recently dispensed large amount of water?** Allow 24 hours for water supply to cool completely.
 - **Water not been recently dispensed?** The first glass of water may not be cool. Discard the first glass of water.
 - **Refrigerator connected to a cold water pipe?** Make sure the refrigerator is connected to a cold water pipe. See “Water Supply Requirements.”

WATER FILTER CERTIFICATIONS

State of California
Department of Public Health
Water Treatment Device
Certificate Number
03- 1583

Date Issued: September 16, 2008
Date Revised: April 22, 2009

State of California
Department of Public Health
Water Treatment Device
Certificate Number
09- 1979

Date Issued: May 8, 2009

<u>Trademark/Model Designation</u>	<u>Replacement Elements</u>
UKF8001AXX-750	UKF8001
46 9006-750	46 9006
67003523-750	UKF8001

Manufacturer: Cuno Inc.

The water treatment device(s) listed on this certificate have met the testing requirements pursuant to Section 116830 of the Health and Safety Code for the following health related contaminants:

<u>Microbiological Contaminants and Turbidity</u>	<u>Inorganic/Radiological Contaminants</u>
Cysts Turbidity	Asbestos Lead Mercury

<u>Organic Contaminants</u>
Atrazine Lindane Benzene Carbofuran p-dichlorobenzene Toxaphene Tetrachloroethylene

Rated Service Capacity: 750 gal. **Rated Service Flow:** 0.78 gpm

Conditions of Certification:
Do not use where water is microbiologically unsafe or with water of unknown quality, except that systems certified for cyst reduction may be used on disinfected waters that may contain filterable cysts.

<u>Trademark/Model Designation</u>	<u>Replacement Elements</u>
UKF8001AXX-200	UKF8001

Manufacturer: Cuno Inc. a 3M Company

The water treatment device(s) listed on this certificate have met the testing requirements pursuant to Section 116830 of the Health and Safety Code for the following health related contaminants:

<u>Microbiological Contaminants and Turbidity</u>	<u>Inorganic/Radiological Contaminants</u>
Cysts Turbidity	Asbestos Lead Mercury

<u>Organic Contaminants</u>
Atrazine Benzene Carbofuran Chlorobenzene Endrin Ethylbenzene Lindane o-dichlorobenzene p-dichlorobenzene Tetrachloroethylene Toxaphene

Rated Service Capacity: 200 gal **Rated Service Flow:** 0.78 gpm

Conditions of Certification:
Do not use where water is microbiologically unsafe or with water of unknown quality, except that systems certified for cyst reduction may be used on disinfected waters that may contain filterable cysts.

PERFORMANCE DATA SHEETS

Interior Water Filtration System Model UKF8001AXX-750 Capacity 750 Gallons (2839 Liters)



System tested and certified by NSF International against NSF/ANSI Standard 42 for the reduction of Chlorine Taste and Odor, Particulate Class I*; and against NSF/ANSI Standard 53 for the reduction of Lead, Mercury, Atrazine, Benzene, p-Dichlorobenzene, Carbofuran, Toxaphene, Cysts, Turbidity, Asbestos, Tetrachloroethylene and Lindane.

This system has been tested according to NSF/ANSI Standards 42 and 53 for the reduction of the substances listed below. The concentration of the indicated substances in water entering the system was reduced to a concentration less than or equal to the permissible limit for water leaving the system, as specified in NSF/ANSI Standards 42 and 53.

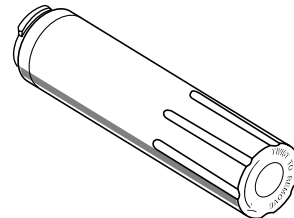
Substance Reduction Aesthetic Effects	NSF Reduction Requirements	Average Influent	Influent Challenge Concentration	Maximum Effluent	Average Effluent	Minimum% Reduction	Average% Reduction
Chlorine Taste/Odor Particulate Class I*	50% reduction 85% reduction	2.00 mg/L 14,000,000 #/mL	2.0 mg/L ± 10% At least 10,000 particles/mL	0.06 mg/L 370,000 #/mL**	0.050625 mg/L 196,666 #/mL	97.00% 97.40%	97.52% 99.00%
Contaminant Reduction	NSF Reduction Requirements	Average Influent	Influent Challenge Concentration	Maximum Effluent	Average Effluent	Minimum% Reduction	Average% Reduction
Lead: @ pH 6.5 Lead: @ pH 8.5	0.010 mg/L 0.010 mg/L	0.150 mg/L [†] 0.150 mg/L [†]	0.15 mg/L ± 10% 0.15 mg/L ± 10%	< 0.001 mg/L < 0.001 mg/L	< 0.001 mg/L < 0.001 mg/L	>99.30% >99.30%	>99.30% >99.30%
Mercury: @ pH 6.5 Mercury: @ pH 8.5	0.002 mg/L 0.002 mg/L	0.006 mg/L 0.0059 mg/L	0.006 mg/L ± 10% 0.006 mg/L ± 10%	0.0005 mg/L 0.0018 mg/L	0.0003 mg/L 0.00073 mg/L	91.70% 69.20%	95.00% 88.10%
Benzene	0.005 mg/L	0.0133 mg/L	0.015 mg/L ± 10%	0.0005 mg/L	0.0005 mg/L	96.10%	96.30%
p-Dichlorobenzene	0.075 mg/L	0.210 mg/L	0.225 mg/L ± 10%	< 0.0005 mg/L	< 0.0005 mg/L	>99.80%	>99.80%
Carbofuran	0.040 mg/L	0.0753 mg/L	0.08 mg/L ± 10%	0.027 mg/L	0.008 mg/L	64.60%	73.45%
Toxaphene	0.003 mg/L	0.015 mg/L	0.015 ± 10%	< 0.001 mg/L	< 0.001 mg/L	>93.3%	>93.3%
Atrazine	0.003 mg/L	0.0102 mg/L	0.009 mg/L ± 10%	0.0027 mg/L	0.00105 mg/L	76.30%	89.40%
Asbestos	>99%	126.5 MF/L	10 ⁷ to 10 ⁸ fibers/L ^{††}	< 0.17 MF/L	< 0.17 MF/L	>99.99%	>99.99%
Live Cysts [‡] Turbidity	>99.95% 0.5 NTU	122,500 #/L 10.5 NTU	50,000/L min. 11 ± 1 NTU	< 1 #/L [‡] 0.30 NTU	< 1 #/L [‡] 0.125 NTU	>99.99% 97.30%	>99.99% 98.80%
Lindane	0.0002 mg/L	0.0019 mg/L	0.002 ± 10%	< 0.00016 mg/L	0.000035 mg/L	91.80%	97.90%
Tetrachloroethylene	0.005 mg/L	0.015 mg/L	0.015 mg/L ± 10%	< 0.0005 mg/L	< 0.0005 mg/L	>96.6%	>96.6%

Test Parameters: pH = 7.5 ± 0.5 unless otherwise noted. Flow = 0.78 gpm (1.9 Lpm). Pressure = 60 psig (413.7 kPa). Temp. = 68°F ± 5°F (20°C ± 3°C).

- It is essential that operational, maintenance, and filter replacement requirements be carried out for the product to perform as advertised.
- The disposable water filter should be replaced at least every 6 months.
- The filter monitor system measures the amount of water that passes through the filter and alerts you to replace the filter. When 90% of the filter's rated life is used, the yellow (Order) light comes on. When 100% of the filter's rated life is used, the red (Replace) light comes on, and it is recommended that you replace the filter. For models without filter status lights, replace the filter every 6 months. Use replacement filter model UKF8001AXX-750. 2009 suggested retail price of \$44.99 U.S.A./\$49.95 Canada. Prices are subject to change without notice.
- The product is for cold water use only.
- Do not use with water that is microbiologically unsafe or of unknown quality without adequate disinfection before or after the system. Systems certified for cyst reduction may be used on disinfected waters that may contain filterable cysts.
- Refer to the "Water Filtration System" section for the Manufacturer's name and telephone number.
- Refer to the "Warranty" section for the Manufacturer's limited warranty.

Application Guidelines/Water Supply Parameters

Water Supply	City or Well
Water Pressure	35 - 120 psi (241 - 827 kPa)
Water Temperature	33° - 100°F (1° - 38°C)
Service Flow Rate	0.78 gpm (2.9 L/min.) @ 60 psi



*Class I particle size: >0.5 to <1 µm

**Test requirement is at least 100,000 particles/mL of AC Fine Test Dust.

[†]These contaminants are not necessarily in your water supply. Performance may vary based on local water conditions.

^{††}Fibers greater than 10 µm in length

[‡]Based on the use of *Cryptosporidium parvum* oocysts

® NSF is a registered trademark of NSF International.

Interior Water Filtration System Model UKF8001AXX-200 Capacity 200 Gallons (757 Liters)



System tested and certified by NSF International against NSF/ANSI Standard 42 for the reduction of Chlorine Taste and Odor, Particulate Class I*; and against NSF/ANSI Standard 53 for the reduction of Lead, Mercury, Atrazine, Benzene, p-Dichlorobenzene, Carbofuran, Toxaphene, Cysts, Turbidity, Asbestos, O-Dichlorobenzene, Ethylbenzene, Chlorobenzene, Endrin, Tetrachloroethylene and Lindane.

This system has been tested according to NSF/ANSI Standards 42 and 53 for the reduction of the substances listed below. The concentration of the indicated substances in water entering the system was reduced to a concentration less than or equal to the permissible limit for water leaving the system, as specified in NSF/ANSI Standards 42 and 53.

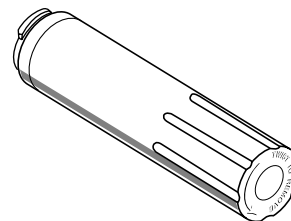
Substance Reduction Aesthetic Effects	NSF Reduction Requirements	Average Influent	Influent Challenge Concentration	Maximum Effluent	Average Effluent	Minimum% Reduction	Average% Reduction
Chlorine Taste/Odor Particulate Class I*	50% reduction 85% reduction	2.00 mg/L 14,000,000 #/mL	2.0 mg/L ± 10% At least 10,000 particles/mL	0.06 mg/L 370,000 #/mL**	0.050625 mg/L 196,666 #/mL	97.00% 97.40%	97.52% 99.00%
Contaminant Reduction	NSF Reduction Requirements	Average Influent	Influent Challenge Concentration	Maximum Effluent	Average Effluent	Minimum% Reduction	Average% Reduction
Lead: @ pH 6.5 Lead: @ pH 8.5	0.010 mg/L 0.010 mg/L	0.150 mg/L [†] 0.150 mg/L [†]	0.15 mg/L ± 10% 0.15 mg/L ± 10%	< 0.001 mg/L < 0.001 mg/L	< 0.001 mg/L < 0.001 mg/L	>99.30% >99.30%	>99.30% >99.30%
Mercury: @ pH 6.5 Mercury: @ pH 8.5	0.002 mg/L 0.002 mg/L	0.006 mg/L 0.0059 mg/L	0.006 mg/L ± 10% 0.006 mg/L ± 10%	0.0005 mg/L 0.0018 mg/L	0.0003 mg/L 0.00073 mg/L	91.70% 69.20%	95.00% 88.10%
Benzene	0.005 mg/L	0.0133 mg/L	0.015 mg/L ± 10%	0.0005 mg/L	0.0005 mg/L	96.10%	96.30%
p-Dichlorobenzene	0.075 mg/L	0.210 mg/L	0.225 mg/L ± 10%	< 0.0005 mg/L	< 0.0005 mg/L	>99.80%	>99.80%
Carbofuran	0.040 mg/L	0.0753 mg/L	0.08 mg/L ± 10%	0.027 mg/L	0.008 mg/L	64.60%	73.45%
Toxaphene	0.003 mg/L	0.015 mg/L	0.015 ± 10%	< 0.001 mg/L	< 0.001 mg/L	>93.3%	>93.3%
Atrazine	0.003 mg/L	0.0102 mg/L	0.009 mg/L ± 10%	0.0027 mg/L	0.00105 mg/L	76.30%	89.40%
Asbestos	>99%	126.5 MF/L	10 ⁷ to 10 ⁸ fibers/L ^{††}	< 0.17 MF/L	< 0.17 MF/L	>99.99%	>99.99%
Live Cysts [‡] Turbidity	>99.95% 0.5 NTU	122,500 #/L 10.5 NTU	50,000/L min. 11 ± 1 NTU	< 1 #/L [‡] 0.30 NTU	< 1 #/L [‡] 0.125 NTU	>99.99% 97.30%	>99.99% 98.80%
Lindane	0.0002 mg/L	0.0019 mg/L	0.002 ± 10%	< 0.00016 mg/L	0.000035 mg/L	91.80%	97.90%
Tetrachloroethylene	0.005 mg/L	0.015 mg/L	0.015 mg/L ± 10%	< 0.0005 mg/L	< 0.0005 mg/L	>96.6%	>96.6%
O-Dichlorobenzene	0.6 mg/L	1.7 mg/L	1.8 mg/L ± 10%	< 0.5 mg/L	< 0.5 mg/L	>99.9%	>99.9%
Ethylbenzene	0.7 mg/L	2.2 mg/L	2.1 mg/L ± 10%	0.0048 mg/L	0.11 mg/L	99.80%	99.90%
Chlorobenzene	0.1 mg/L	2.0 mg/L	2.0 mg/L ± 10%	0.0038 mg/L	0.0008 mg/L	99.80%	99.90%
Endrin	0.002 mg/L	0.007 mg/L	0.006 mg/L ± 10%	0.0004 mg/L	0.0002 mg/L	94.30%	96.80%

Test Parameters: pH = 7.5 ± 0.5 unless otherwise noted. Flow = 0.78 gpm (1.9 Lpm). Pressure = 60 psig (413.7 kPa). Temp. = 68°F ± 5°F (20°C ± 3°C).

- It is essential that operational, maintenance, and filter replacement requirements be carried out for the product to perform as advertised.
 - The disposable water filter should be replaced at least every 6 months.
 - The filter monitor system measures the amount of water that passes through the filter and alerts you to replace the filter. When 90% of the filter's rated life is used, the yellow (Order) light comes on. When 100% of the filter's rated life is used, the red (Replace) light comes on, and it is recommended that you replace the filter. For models without filter status lights, replace the filter every 6 months. Use replacement filter model UKF8001AXX-200. 2009 suggested retail price of \$44.99 U.S.A./\$49.95 Canada. Prices are subject to change without notice.
 - The product is for cold water use only.
 - Do not use with water that is microbiologically unsafe or of unknown quality without adequate disinfection before or after the system. Systems certified for cyst reduction may be used on disinfected waters that may contain filterable cysts.
- Refer to the "Water Filtration System" section for the Manufacturer's name and telephone number.
 - Refer to the "Warranty" section for the Manufacturer's limited warranty.

Application Guidelines/Water Supply Parameters

Water Supply	City or Well
Water Pressure	35 - 120 psi (241 - 827 kPa)
Water Temperature	33° - 100°F (1° - 38°C)
Service Flow Rate	0.78 gpm (2.9 L/min.) @ 60 psi



*Class I particle size: >0.5 to <1 µm

**Test requirement is at least 100,000 particles/mL of AC Fine Test Dust.

[†]These contaminants are not necessarily in your water supply. Performance may vary based on local water conditions.

^{††}Fibers greater than 10 µm in length

[‡]Based on the use of *Cryptosporidium parvum* oocysts

® NSF is a registered trademark of NSF International.

MAYTAG® REFRIGERATION LIMITED WARRANTY

FIRST YEAR LIMITED WARRANTY (PARTS AND LABOR)

For one year from the date of purchase, when this major appliance is installed, operated and maintained according to instructions attached to or furnished with the product, Maytag brand of Whirlpool Corporation or Whirlpool Canada, LP (hereafter "Maytag") will pay for factory specified replacement parts and repair labor to correct defects in materials or workmanship that existed when this major appliance was purchased.

SECOND THROUGH TENTH YEAR LIMITED WARRANTY (COMPRESSOR ONLY - LABOR NOT INCLUDED)

In the second through tenth years from the date of original purchase, when this major appliance is installed, operated and maintained according to instructions attached to or furnished with the product, Maytag will pay for a factory specified replacement compressor to correct non-cosmetic defects in materials or workmanship in this part that prevent function of the refrigerator and that existed when this major appliance was purchased. This limited 10-year warranty is for the compressor only and does not include labor.

YOUR SOLE AND EXCLUSIVE REMEDY UNDER THE LIMITED WARRANTY SHALL BE PRODUCT REPAIR AS PROVIDED HEREIN. Service must be provided by a Maytag designated service company. This limited warranty is valid in the United States or Canada and applies only when the major appliance is used in the country in which it was purchased. This limited warranty is effective from the date of the original consumer purchase. Proof of original purchase date is required to obtain service under this limited warranty.

ITEMS EXCLUDED FROM WARRANTY

This limited warranty does not cover:

1. Replacement parts or repair labor if this major appliance is used for other than normal, single-family household use or when it is used in a manner that is inconsistent to published user or operator instructions and/or installation instructions.
 2. Service calls to correct the installation of your major appliance, to instruct you on how to use your major appliance, to replace or repair house fuses, or to correct house wiring or plumbing.
 3. Service calls to repair or replace appliance light bulbs, air filters or water filters. Consumable parts are excluded from warranty coverage.
 4. Damage resulting from accident, alteration, misuse, abuse, fire, flood, acts of God, improper installation, installation not in accordance with electrical or plumbing codes, or use of products not approved by Maytag.
 5. Cosmetic damage, including scratches, dents, chips or other damage to the finish of your major appliance, unless such damage results from defects in materials or workmanship and is reported to Maytag within 30 days from the date of purchase.
 6. Any food or medicine loss due to refrigerator or freezer product failures.
 7. Pickup and delivery. This major appliance is intended to be repaired in your home.
 8. Repairs to parts or systems resulting from unauthorized modifications made to the appliance.
 9. Expenses for travel and transportation for product service if your major appliance is located in a remote area where service by an authorized Maytag servicer is not available.
 10. The removal and reinstallation of your major appliance if it is installed in an inaccessible location or is not installed in accordance with Maytag published installation instructions.
 11. Replacement parts or repair labor on major appliances with original model/serial numbers that have been removed, altered or cannot be easily determined.
 12. Discoloration, rust, or oxidation of stainless steel surfaces.
-

DISCLAIMER OF IMPLIED WARRANTIES

IMPLIED WARRANTIES, INCLUDING ANY IMPLIED WARRANTY OF MERCHANTABILITY OR IMPLIED WARRANTY OF FITNESS FOR A PARTICULAR PURPOSE, ARE LIMITED TO ONE YEAR OR THE SHORTEST PERIOD ALLOWED BY LAW. Some states and provinces do not allow limitations on the duration of implied warranties of merchantability or fitness, so this limitation may not apply to you. This warranty gives you specific legal rights, and you also may have other rights that vary from state to state or province to province.

LIMITATION OF REMEDIES; EXCLUSION OF INCIDENTAL AND CONSEQUENTIAL DAMAGES

YOUR SOLE AND EXCLUSIVE REMEDY UNDER THIS LIMITED WARRANTY SHALL BE PRODUCT REPAIR AS PROVIDED HEREIN. MAYTAG SHALL NOT BE LIABLE FOR INCIDENTAL OR CONSEQUENTIAL DAMAGES. Some states and provinces do not allow the exclusion or limitation of incidental or consequential damages, so these limitations and exclusions may not apply to you. This warranty gives you specific legal rights, and you also may have other rights that vary from state to state or province to province.

If outside the 50 United States and Canada, contact your authorized Maytag dealer to determine if another warranty applies.

5/10

For additional product information, in the U.S.A., visit www.maytag.com

In Canada, visit www.maytag.ca

If you do not have access to the Internet and you need assistance using your product or you would like to schedule service, you may contact Maytag at the number below.

Have your complete model number ready. You can find your model number and serial number on the label, located on the inside wall of the refrigerator compartment.

For assistance or service in the U.S.A., call 1-800-688-9900. In Canada, call 1-800-807-6777.

If you need further assistance, you can write to Maytag with any questions or concerns at the address below:

In the U.S.A.:

Maytag Brand Home Appliances
Customer eXperience Center
553 Benson Road
Benton Harbor, MI 49022-2692

In Canada:

Maytag Brand Home Appliances
Customer eXperience Centre
200 – 6750 Century Ave.
Mississauga, Ontario L5N 0B7

Please include a daytime phone number in your correspondence.

Please keep these User Instructions and the model number information for future reference.



INSTRUCCIONES PARA EL USUARIO DEL REFRIGERADOR

LE AGRADECEMOS la compra de este producto de alta calidad. Si usted experimenta un problema que no se haya cubierto en SOLUCIÓN DE PROBLEMAS, visite nuestro sitio de internet en www.maytag.com para obtener información adicional. Si considera que aún necesita ayuda, llámenos al 1-800-688-9900. En Canadá, visite nuestro sitio de internet en www.maytag.ca o llámenos al 1-800-807-6777.

Necesitará tener a mano su número de modelo y de serie ubicados en la pared interior del compartimiento del refrigerador.

SEGURIDAD DEL REFRIGERADOR

Su seguridad y la seguridad de los demás es muy importante.

Hemos incluido muchos mensajes importantes de seguridad en este manual y en su electrodoméstico. Lea y obedezca siempre todos los mensajes de seguridad.



Este es el símbolo de advertencia de seguridad.

Este símbolo le llama la atención sobre peligros potenciales que pueden ocasionar la muerte o una lesión a usted y a los demás.

Todos los mensajes de seguridad irán a continuación del símbolo de advertencia de seguridad y de la palabra "PELIGRO" o "ADVERTENCIA". Estas palabras significan:

 **PELIGRO**

Si no sigue las instrucciones de inmediato, usted puede morir o sufrir una lesión grave.

 **ADVERTENCIA**

Si no sigue las instrucciones, usted puede morir o sufrir una lesión grave.

Todos los mensajes de seguridad le dirán el peligro potencial, le dirán cómo reducir las posibilidades de sufrir una lesión y lo que puede suceder si no se siguen las instrucciones.

INSTRUCCIONES IMPORTANTES DE SEGURIDAD

ADVERTENCIA: Para reducir el riesgo de incendio, choque eléctrico, o lesiones personales al usar su refrigerador siga estas precauciones básicas:

- Conecte a un contacto de pared de conexión a tierra de 3 terminales.
- No use un adaptador.
- No quite la terminal de conexión a tierra.
- No use un cable eléctrico de extensión.
- Desconecte el suministro de energía antes de darle servicio.
- Vuelva a colocar todos los componentes y paneles antes de hacerlo funcionar.
- Remueva las puertas de su refrigerador viejo.
- Use un limpiador no inflamable.
- Mantenga los materiales y vapores inflamables, tales como gasolina, alejados del refrigerador.
- Use dos o más personas para mover e instalar el refrigerador.
- Desconecte el suministro de energía antes de instalar la fábrica de hielo (en aquellos modelos que incluyen el juego de instalación de la fábrica de hielo).
- Use un vaso resistente para recibir hielo del despachador (en algunos modelos).
- No golpee las puertas de vidrio del refrigerador (en algunos modelos).

CONSERVAR ESTAS INSTRUCCIONES

Cómo deshacerse adecuadamente de su refrigerador viejo

⚠ ADVERTENCIA

Peligro de Asfixia

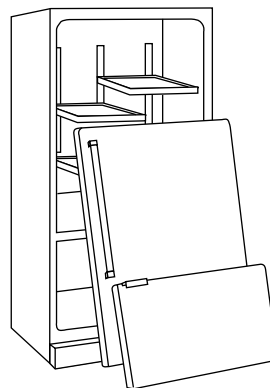
Remueva las puertas de su refrigerador viejo.

No seguir esta instrucción puede ocasionar la muerte o daño al cerebro.

IMPORTANTE: El atrapamiento y asfixia de niños no es un problema del pasado. Los refrigeradores tirados y abandonados son un peligro, aún si van a quedar ahí “por unos pocos días”. Si Ud. está por deshacerse de su refrigerador viejo, por favor siga las instrucciones que se dan a continuación para prevenir accidentes.

Antes de tirar su viejo refrigerador o congelador:

- Saque las puertas.
- Deje los estantes en su lugar, así los niños no pueden meterse adentro con facilidad.



INSTRUCCIONES DE INSTALACIÓN

Desempaque el refrigerador

⚠ ADVERTENCIA

Peligro de Peso Excesivo

Use dos o más personas para mover e instalar el refrigerador.

No seguir esta instrucción puede ocasionar una lesión en la espalda u otro tipo de lesiones.

Información importante para saber acerca de los estantes y tapas de vidrio:

No limpie los estantes y tapas de vidrio con agua caliente mientras están fríos. Los estantes y tapas pueden romperse si se exponen a cambios bruscos de temperatura o impacto, como sería un golpe brusco. El vidrio templado se ha diseñado para hacerse añicos. Esto es normal. Los estantes y tapas de vidrio son muy pesados. Use ambas manos al sacarlos para evitar que se caigan.

Requisitos de ubicación

⚠ ADVERTENCIA



Peligro de Explosión

Mantenga los materiales y vapores inflamables, tales como gasolina, alejados del refrigerador.

No seguir esta instrucción puede ocasionar la muerte, explosión, o incendio.

Para asegurar la adecuada ventilación de su refrigerador, deje un espacio de 1/2" (1,25 cm) a cada lado y por encima. Deje un espacio de 1" (2,54 cm) detrás del refrigerador. Si su refrigerador tiene fábrica de hielo, asegúrese que hay espacio adicional atrás para las conexiones de la línea de agua. Cuando instale el refrigerador próximo a una pared fija, deje un espacio mínimo de 3/4" (9,5 cm) entre el refrigerador y la pared, para permitir que la puerta se abra bien.

Cómo quitar los materiales de empaque

- Quite los restos de cinta y goma de las superficies de su refrigerador antes de encenderlo. Frote un poco de detergente líquido para vajillas sobre el adhesivo con los dedos. Limpie con agua tibia y seque.
- No use instrumentos filosos, alcohol para fricciones, líquidos inflamables o productos de limpieza abrasivos para eliminar los restos de cinta o goma. Estos productos pueden dañar la superficie de su refrigerador. Para más información, vea “Seguridad del refrigerador”.
- Deshágase de todos los materiales de embalaje o recíclelos.

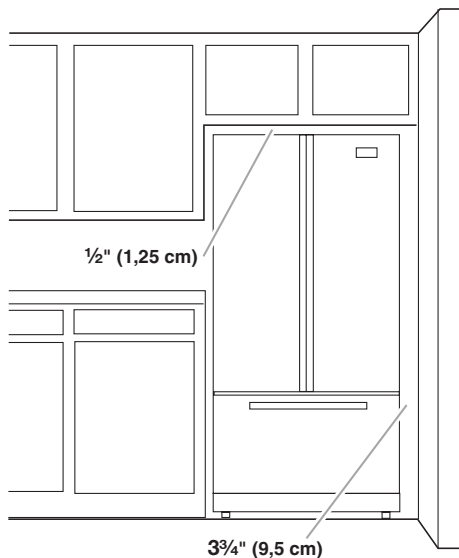
Cómo mover su refrigerador:

Su refrigerador es pesado. Cuando mueva el refrigerador para limpiarlo o para darle servicio, cerciórese de cubrir el piso con cartón o madera para evitar daños en el mismo. Al mover el refrigerador, siempre tire directamente hacia afuera. No menee el refrigerador de lado a lado ni lo haga “caminar” cuando lo trate de mover ya que podría dañar el piso.

Limpieza antes del uso

Una vez que usted haya quitado todos los materiales de empaque, limpie el interior de su refrigerador antes de usarlo. Vea las instrucciones de limpieza en “Cuidado de su refrigerador”.

NOTA: No se recomienda instalar el refrigerador cerca de un horno, radiador u otra fuente de calor. No instale el refrigerador en un lugar donde la temperatura puede ser menor de 55°F (13°C).



Requisitos eléctricos

⚠ ADVERTENCIA



Peligro de Choque Eléctrico

Conecte a un contacto de pared de conexión a tierra de 3 terminales.

No quite la terminal de conexión a tierra.

No use un adaptador.

No use un cable eléctrico de extensión.

No seguir estas instrucciones puede ocasionar la muerte, incendio o choque eléctrico.

Antes de mover el refrigerador a su posición definitiva, es importante asegurarse que Ud. tiene la conexión eléctrica adecuada.

Método de conexión a tierra recomendado

Se requiere una fuente de energía eléctrica de 115 Voltios, 60 Hz., CA solamente y con fusibles de 15 ó 20 amperios, debidamente conectada a tierra. Se recomienda que se use un circuito separado sólo para su refrigerador. Use un tomacorriente que no se puede apagar con un interruptor. No use un cable eléctrico de extensión.

NOTA: Antes de realizar cualquier tipo de instalación, limpieza o de quitar un foco de luz, APAGUE el enfriamiento (Cooling OFF), y luego desconecte el refrigerador de la fuente de energía. Cuando Ud. haya terminado, reconecte el refrigerador a la fuente de energía eléctrica y ENCIENDA el enfriamiento (Cooling ON). Vea "Uso de los controles".

Requisitos del suministro de agua

Reúna las herramientas y piezas necesarias antes de comenzar la instalación. Lea y siga las instrucciones provistas con cualquiera de las herramientas enlistadas aquí.

HERRAMIENTAS NECESARIAS:

- Destornillador de hoja plana
- Llave de tuercas de 1/4"
- Llaves de boca de 7/16" y 1/2" o dos llaves ajustables
- Broca de 1/4"
- Taladro inalámbrico

IMPORTANTE:

- Todas las instalaciones deben hacerse de acuerdo a los requisitos locales de plomería.
- No use una válvula perforadora o una válvula de montura de 3/16" (4,76 mm), la cual reduce el flujo de agua y se obstruye con más facilidad.
- Use tubería de cobre y revise si hay fugas. Instale la tubería de cobre sólo en áreas donde la temperatura vaya a permanecer por encima del punto de congelación.
- Para modelos con filtros de agua, el filtro de agua desechable deberá reemplazarse por lo menos cada 6 meses.

Presión del agua

Se necesita un suministro de agua fría con presión de agua entre 35 y 120 lbs/pulg² (241 y 827 kPa) para hacer funcionar el despachador de agua y la fábrica de hielo. Si tiene preguntas acerca de la presión del agua, llame a un plomero competente autorizado.

Suministro de agua por ósmosis inversa

IMPORTANTE: La presión del suministro de agua que sale de un sistema de ósmosis inversa y va a la válvula de entrada de agua del refrigerador necesitará ser entre 35 y 120 lbs/pulg² (241 y 827 kPa).

Si se conecta un sistema de filtración de agua de ósmosis inversa al suministro de agua fría, la presión de agua al sistema de ósmosis inversa necesitará ser de un mínimo de 40 a 60 lbs/pulg² (276 a 414 kPa).

Si la presión de agua hacia el sistema de ósmosis inversa es menor de 40 a 60 lbs/pulg² (276 a 414 kPa):

- Verifique si el filtro de sedimentos en el sistema de ósmosis inversa está bloqueado. Reemplácelo si fuera necesario.
- Deje que se vuelva a llenar el tanque de almacenaje del sistema de ósmosis inversa después del uso intenso.
- Si su refrigerador tiene un filtro de agua, se podrá reducir la presión aún más si se usa en conjunto con un sistema de ósmosis inversa. Saque el filtro de agua. Vea "Sistema de filtración de agua".

Si tiene preguntas acerca de la presión del agua, llame a un plomero competente autorizado.

Conecte el suministro de agua

Lea todas las instrucciones antes de comenzar.

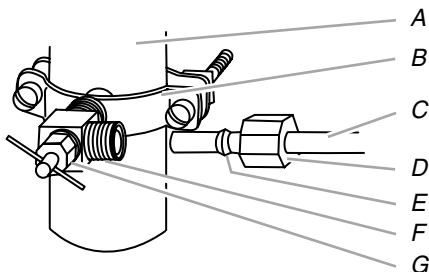
IMPORTANTE: Si enciende el refrigerador antes de conectar la tubería de agua, APAGUE la fábrica de hielo.

Conexión a la línea de agua

1. Desenchufe el refrigerador o desconecte el suministro de energía.
2. CIERRE el suministro principal de agua. ABRA la llave de agua más cercana al tiempo suficiente para que la tubería de agua se vacíe.
3. Localice una tubería de agua fría vertical de 1/2" a 1 1/4" (12,7 mm a 31,8 mm) cerca del refrigerador.

IMPORTANTE:

- Asegúrese de que sea una tubería de agua fría.
 - Una tubería horizontal funcionará, pero debe seguirse el procedimiento indicado a continuación: taladre por el lado de arriba de la tubería, no por debajo. Esto ayudará a mantener el agua alejada del taladro. Esto también evita que se acumule el sedimento normal en la válvula.
4. Determine la longitud de la tubería de cobre que necesite. Mida desde la conexión de la parte trasera del refrigerador hasta la tubería de agua. Agregue 7 pies (2,1 m) para poder mover el refrigerador para limpiarlo. Use tubería de cobre de 1/4" (6,35 mm) de diámetro externo. Asegúrese que ambos extremos de la tubería de cobre están cortados a escuadra.
 5. Usando un taladro inalámbrico, taladre un orificio de 1/4" en la tubería de agua fría que ha seleccionado.



A. Tubería de agua fría
B. Abrazadera para tubería
C. Tubería de cobre
D. Tuerca de compresión
E. Manga de compresión
F. Válvula de cierre
G. Tuerca de presión

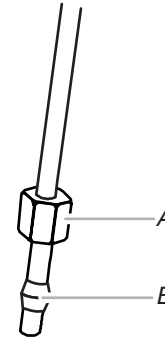
6. Afiance la válvula de cierre a la tubería de agua fría con la abrazadera para tubería. Asegúrese de que el extremo de salida se encuentre sujeto firmemente en el orificio taladrado de 1/4" en la tubería de agua y que la arandela esté bajo la abrazadera de la tubería. Apriete la tuerca de presión. Apriete los tornillos de la abrazadera para tubería lentamente y en forma pareja de manera que la arandela provea un cierre hermético. No apriete demasiado.
7. Deslice la manga de compresión y la tuerca de compresión sobre la tubería de cobre como se muestra. Inserte el extremo de la tubería en el extremo de salida en forma pareja hasta donde sea posible. Atornille la tuerca de compresión en el extremo de salida usando la llave de tuercas ajustable. No apriete demasiado porque se puede quebrar la tubería de cobre.
8. Coloque el extremo libre de la tubería en un recipiente o fregadero y ABRA el suministro principal de agua. Enjuague la tubería hasta que el agua salga limpia. CIERRE la válvula de cierre de la tubería de agua.

Conexión al refrigerador

Dependiendo de su modelo, la línea de agua puede bajar de la parte superior o subir de la parte inferior. Siga las instrucciones de conexión para su modelo.

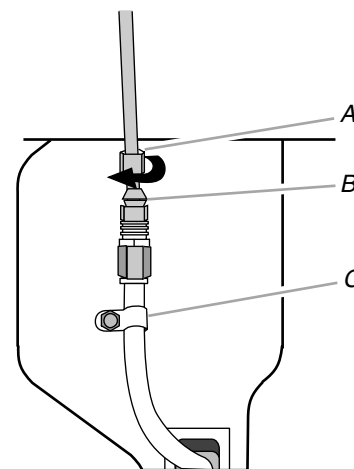
Estilo 1

1. Quite la tapa de plástico de la conexión del suministro de agua. Coloque la tuerca de bronce y la manga de compresión en el tubo de cobre, como se muestra.



A. Tuerca de bronce
B. Manga de compresión

2. Coloque el extremo de la tubería de cobre en la línea de suministro de agua de plástico con la válvula. Deslice la tuerca de bronce sobre la manga y atornille la tuerca en la línea de suministro.
3. Usando una llave de tuercas ajustable, sostenga la tuerca sobre la línea de agua de plástico para evitar que se mueva. Luego, con una segunda llave, gire la tuerca sobre la tubería de cobre en el sentido contrario a las manecillas del reloj para apretarla completamente. No apriete demasiado.
4. Verifique la conexión jalando la tubería de cobre.
5. Sujete la tubería de plástico de agua al refrigerador con una abrazadera en "P". Deslice la línea de agua de plástico dentro del retén.

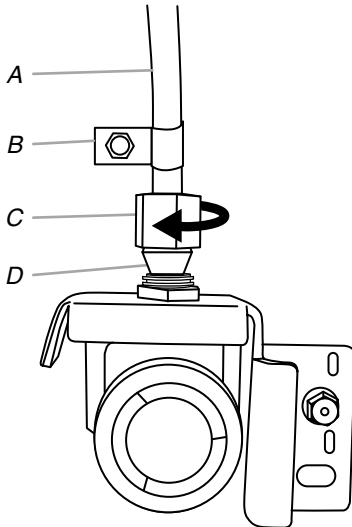


A. Tuerca de bronce
B. Manga de compresión
C. Abrazadera en "P"

6. Abra el suministro de agua al refrigerador y revise si hay fugas de agua. Tape cualquier fuga que encuentre.

Estilo 2

1. Quite la tapa de plástico del puerto de entrada de la válvula de agua. Fije el tubo de cobre a la entrada de la válvula usando una tuerca de compresión y manga de compresión como se muestra. Ajuste la tuerca de compresión. No apriete demasiado. Verifique que la tubería de cobre esté segura, jalándola.
2. Haga un lazo de servicio con la tubería de cobre. Evite torceduras al enrollar la tubería de cobre. Sujete la tubería de plástico de agua a la carcasa del refrigerador con una abrazadera en "P".



A. Tubería de cobre
B. Abrazadera en "P"

C. Tuerca de compresión
D. Manga de compresión

3. Abra el suministro de agua al refrigerador y revise si hay fugas de agua. Tape cualquier fuga que encuentre.

Complete la instalación

⚠ ADVERTENCIA



Peligro de Choque Eléctrico

Conecte a un contacto de pared de conexión a tierra de 3 terminales.

No quite la terminal de conexión a tierra.

No use un adaptador.

No use un cable eléctrico de extensión.

No seguir estas instrucciones puede ocasionar la muerte, incendio o choque eléctrico.

1. Conecte a un contacto de pared de conexión a tierra de 3 terminales.
2. Enjuague el sistema de agua. Vea "Despachadores de agua y hielo".

Puertas y cajón del refrigerador

Todas las ilustraciones a las que se hace referencia en las siguientes instrucciones se incluyen más adelante en esta sección después de "Pasos finales".

Para quitar y volver a colocar las manijas

Para quitar las manijas:

1. Tome la parte inferior de la manija con firmeza, deslice la manija hacia arriba y jálela directo fuera de la puerta. Vea la ilustración de Manija.

Para volver a colocar las manijas:

1. Coloque la manija de manera que los orificios grandes en los sujetadores de montaje estén hacia abajo y alinee los orificios con los montantes de la puerta.
2. Gire la manija de manera que los sujetadores de montaje queden planos contra la puerta; deslice la manija hacia abajo para que encaje. Vea la ilustración de Manija.

Cómo quitar las puertas y las bisagras

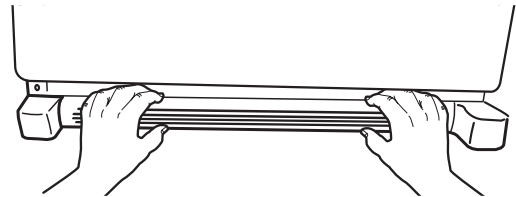
IMPORTANTE:

- Quite todos los alimentos y cualquier recipiente ajustable o de uso general de las puertas.
- Mantenga las puertas del refrigerador cerradas hasta que esté listo para levantarlas y quitarlas de la carcasa.

NOTA: Mientras quita las bisagras siempre disponga de un soporte adicional para la puerta del refrigerador. No se confíe en que los imanes de la junta de las puertas van a sostener la puerta en su lugar mientras trabaja.

HERRAMIENTAS NECESARIAS: Llave de tubo de cabeza hexagonal de $\frac{5}{16}$ ", $\frac{3}{8}$ " y $\frac{1}{4}$ ", destornillador Torx®† T20, destornillador Phillips N° 2 y un destornillador de hoja plana.

1. Desenchufe el refrigerador o desconecte el suministro de energía.
2. Quite la rejilla de la base. Tome la rejilla con firmeza y jálela hacia usted.



3. Comenzando por la puerta derecha, saque las piezas de la bisagra superior, como se muestra en la ilustración Bisagra superior. Levante y saque la puerta del refrigerador del pasador inferior de la bisagra.
4. Saque la cubierta de la bisagra superior de la puerta izquierda del refrigerador.
5. Desconecte el enchufe de cableado que está ubicado sobre la bisagra introduciendo un destornillador de hoja plana o la uña entre las dos secciones. Vea la ilustración Conexiones.
6. Desconecte la línea de agua jalando el collar de bloqueo, mientras jala la línea de agua fuera del conector de la misma. Vea la ilustración Conexiones.

†®TORX es una marca registrada de Textron Innovations Inc.

- Quite los componentes de la bisagra superior como se muestra en la ilustración Bisagra superior. Levante la puerta del lado izquierdo del pasador inferior de la bisagra.
- Con una llave hexagonal de $\frac{3}{8}$ ", saque los soportes de nivelación de la pata de la base de la carcasa. Guarde los tornillos para usarlos más tarde.

Cómo volver a poner las puertas y las bisagras en su lugar

- Ensamble los componentes de la bisagra superior, como se muestra en la ilustración Bisagra superior. No atornille completamente los tornillos.
- Vuelva a colocar los componentes de la bisagra inferior, como se muestra en la ilustración Bisagra inferior. Apriete los tornillos. Vuelva a poner en su lugar la puerta del refrigerador.
NOTA: Mientras quita las bisagras siempre disponga de un soporte adicional para la puerta del refrigerador. No se confíe en que los imanes de la junta de las puertas van a sostener la puerta en su lugar mientras trabaja.
- Alinee la puerta de modo que la base de la puerta del refrigerador esté alineada en forma pareja con la parte superior del cajón del congelador. Apriete todos los tornillos.
- Vuelva a conectar el enchufe de cableado sobre la puerta izquierda del refrigerador.
- Vuelva a conectar la línea de agua jalando el anillo del collar de bloqueo mientras empuja con firmeza la línea de agua dentro del conector.
- Revise si hay fugas. Vuelva a colocar las cubiertas de la bisagra superior.

Cómo quitar y volver a colocar el cajón del refrigerador y el cajón del congelador

IMPORTANTE: Tal vez se necesiten dos personas para quitar y volver a colocar el cajón del congelador. Las ilustraciones aparecen más adelante en esta sección.

Para quitar el frente del cajón

- Abra el cajón del congelador en toda su extensión.
- Afloje los cuatro tornillos que sujetan las guías del cajón al frente del cajón. Vea la ilustración Cómo quitar el frente del cajón.
NOTA: Afloje los tornillos girándolos tres o cuatro veces. Mantenga los tornillos en el frente del cajón.
- Quite los dos tornillos en la parte inferior que sujetan los soportes de los rieles del cajón al frente del cajón.
- Levante el frente del cajón hacia arriba y fuera de los tornillos. Vea la ilustración Cómo quitar el frente del cajón.

Para volver a colocar el frente del cajón

- Deslice las guías del cajón fuera del compartimiento. Inserte los dos tornillos en el frente del cajón, dentro de las ranuras superiores que están en los soportes de las guías del cajón.
- Alinee los soportes de los rieles del cajón con los orificios inferiores en el frente del cajón, luego vuelva a ajustarlo con los tornillos. Vea la ilustración Cómo volver a colocar el frente del cajón.
- Apriete por completo los cuatro tornillos.

Pasos finales

- Vuelva a colocar la rejilla de la base.

⚠ ADVERTENCIA



Peligro de Choque Eléctrico

Conecte a un contacto de pared de conexión a tierra de 3 terminales.

No quite la terminal de conexión a tierra.

No use un adaptador.

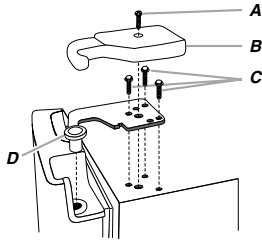
No use un cable eléctrico de extensión.

No seguir estas instrucciones puede ocasionar la muerte, incendio o choque eléctrico.

- Conecte a un contacto de pared de conexión a tierra de 3 terminales.
- Vuelva a colocar todas las piezas removibles en las puertas y el cajón, y los alimentos, al refrigerador y al congelador.

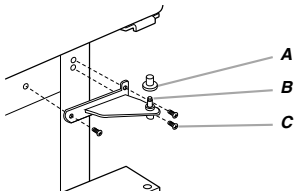
Cómo quitar y volver a poner la puerta en su lugar

Bisagras superiores



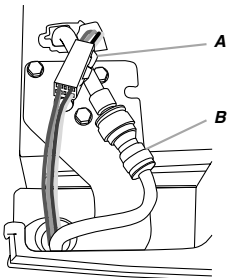
- A. Tornillo para la cubierta de la bisagra
- B. Cubierta de la bisagra superior
- C. Tornillos de cabeza hexagonal para bisagra de 5/16"
- D. Bisagra superior

Bisagras inferiores

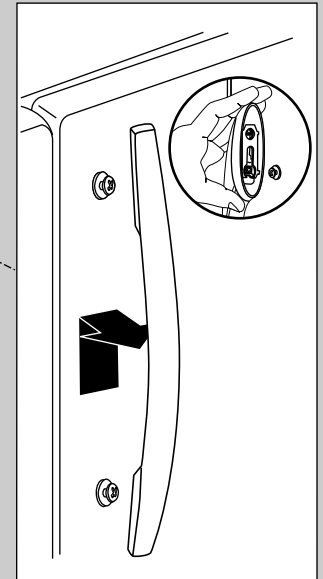
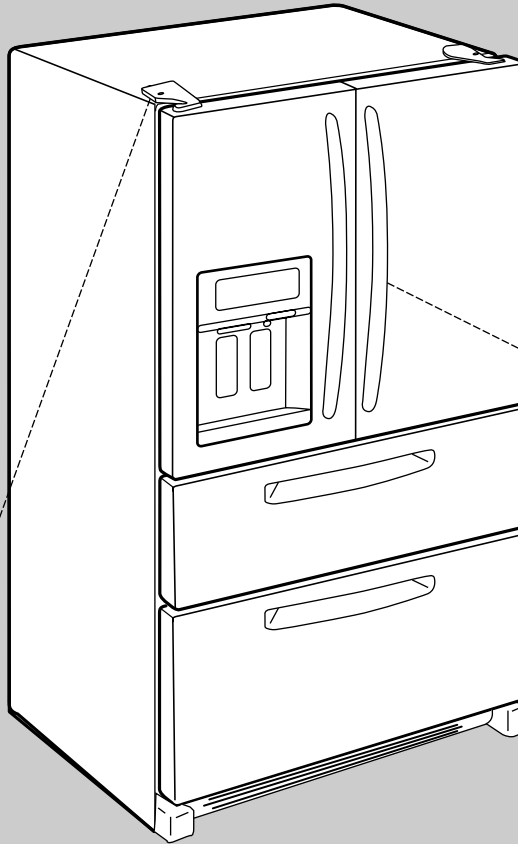


- A. Cubierta del pasador de la bisagra
- B. Bisagra inferior
- C. Tornillos para bisagra

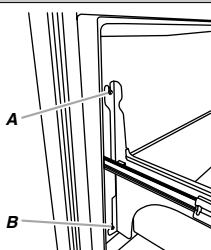
Conexiones



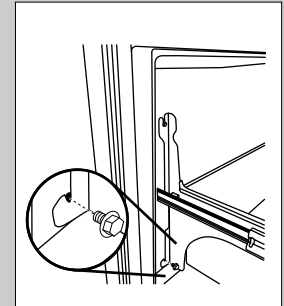
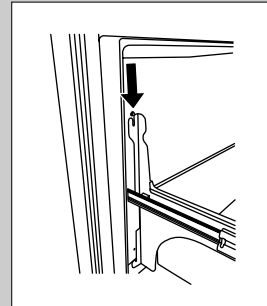
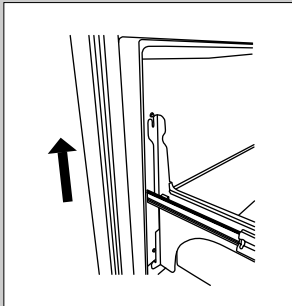
- A. Enchufe de cableado
- B. Conexión de la línea de agua



Cómo quitar el frente del cajón



- A. Afloje los 2 tornillos de soporte del riel del cajón
- B. Quite los 2 tornillos del soporte del riel del cajón

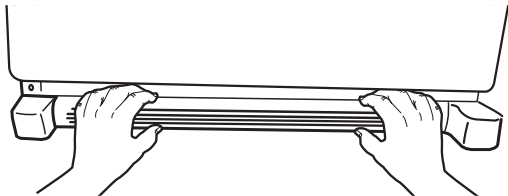


Cómo volver a colocar el frente del cajón

Ajuste las puertas

IMPORTANTE:

- Su refrigerador tiene dos tornillos delanteros de nivelación ajustables; uno a cada lado de la base del refrigerador. Si su refrigerador parece poco firme o si usted desea que la puerta se cierre con más facilidad, siga las instrucciones a continuación.
 - Antes de mover el refrigerador, levante los tornillos niveladores de modo que los rodillos frontales toquen el piso.
1. Quite la rejilla de la base. Tome la rejilla con firmeza y júlela hacia usted.

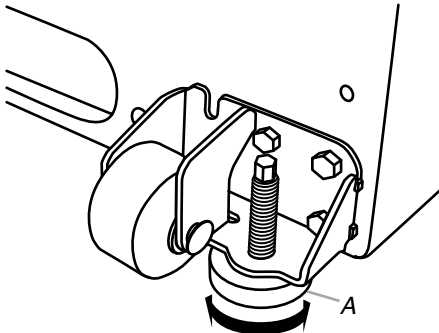


2. Levante o baje la carcasa.

Con un destornillador hexagonal de 1/4", gire el tornillo nivelador que está a cada lado, para levantar o bajar ese lado del refrigerador.

NOTA: Haga que alguien empuje la parte superior del refrigerador, lo cual quita el peso de los tornillos niveladores. Esto facilita el giro de los tornillos. Puede precisar darle varias vueltas al tornillo nivelador para ajustar la inclinación del refrigerador.

- Para levantar, gire el tornillo nivelador hacia la derecha.
- Para bajar, gire el tornillo nivelador hacia la izquierda.



A. Tornillo nivelador

3. Abra la puerta nuevamente para verificar que se cierra con la facilidad que usted desea. De lo contrario, incline el refrigerador ligeramente más hacia la parte posterior, girando ambos tornillos niveladores hacia la derecha. Puede precisar varias vueltas más, y usted deberá girar ambos tornillos la misma cantidad de veces.
4. Vuelva a colocar la rejilla de la base.

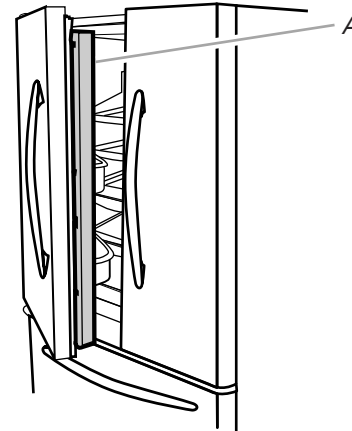
USO DE SU REFRIGERADOR

Cómo abrir y cerrar las puertas

El compartimiento del refrigerador tiene dos puertas. Las puertas pueden abrirse y cerrarse ya sea individualmente o a la vez.

Hay una junta con bisagras verticales en la puerta izquierda del refrigerador.

- Cuando se abre la puerta izquierda, la junta con bisagras se pliega hacia adentro automáticamente, para quedar fuera del camino.
- Cuando ambas puertas están cerradas, la junta con bisagras forma automáticamente un sello entre las dos puertas.



A. Junta con bisagras

Uso de los controles

Los controles del refrigerador y del congelador están ubicados en el panel del despachador y la pantalla.



Pantalla

Selección de idioma

El idioma del texto en la pantalla puede fijarse en inglés, español o francés.

- Para cambiar el texto de la pantalla de inglés a español, presione el botón de HOME (Pantalla inicial), ubicado en el panel del despachador. Presione OPTIONS en la pantalla, luego presione PREFERENCES, seguido por LANGUAGE. Elija ESPAÑOL o FRANÇAIS (Francés), espere 15 segundos o presione BACK y el texto de la pantalla cambiará.
- Para cambiar el texto de la pantalla de español a inglés, presione el botón de HOME (Pantalla inicial), ubicado en el panel del despachador. Presione OPCIONES en la pantalla, luego presione PREFERENCIAS, seguido por IDIOMA. Elija INGLÉS, espere 15 segundos o presione ATRÁS y el texto de la pantalla cambiará.

- Para cambiar el texto de la pantalla de francés a español, presione el botón de HOME (Pantalla inicial), ubicado en el panel del despachador. Presione OPTIONS en la pantalla, luego presione PRÉFÉRENCES, seguido por LANGUE. Elija ESPAGNOL, espere 15 segundos o presione RETOUR y el texto de la pantalla cambiará.

Controles de temperatura

Para su comodidad, los controles de su refrigerador y congelador vienen prefijados de fábrica.

Para ver los puntos de ajuste, presione el botón TEMP (Temperatura) en el panel del despachador. Los puntos de ajuste recomendados de fábrica son 0°F (-18°C) para el congelador y 38°F (3°C) para el refrigerador.

IMPORTANTE:

- Espere 24 horas antes de colocar alimentos en el refrigerador. Si agrega alimentos antes de que el refrigerador se haya enfriado por completo, sus alimentos podrían echarse a perder.

NOTA: El ajustar los puntos fijos a un ajuste más alto (más frío) que el ajuste recomendado no hará que los compartimientos se enfrién más rápido.

- Los ajustes prefijados deben ser los correctos para un uso doméstico normal. Los controles están ajustados correctamente cuando la leche o los jugos están tan fríos como Ud. desea y cuando el helado tiene consistencia firme.
- Espere por lo menos 24 horas entre ajustes. Vuelva a verificar las temperaturas antes de realizar otros ajustes.
- La pantalla que está en el panel de control del despachador tiene una luz de fondo, la cual se apagará automáticamente cuando los controles no se hayan usado durante 2 minutos o más. Cuando está apagada la luz de fondo, al presionar por primera vez un botón de control o la pantalla se reactivará la misma, sin cambiar ningún ajuste. En menos de 2 minutos después de que se haya reactivado la luz de fondo, al presionar más veces los botones del control o la pantalla, se cambiarán los ajustes que sean aplicables.

Cómo ajustar los controles

Para ajustar los puntos de ajuste, presione el botón de TEMP (Temperatura) en el panel del despachador. Aparecerán en la pantalla los puntos de ajuste y la información para regularlos.

Controles del refrigerador

Asegúrese de que esté seleccionado REFRIGERADOR. Las flechas hacia arriba y hacia abajo en la pantalla le permiten regular la temperatura del compartimiento del refrigerador. El rango de punto de ajuste para el refrigerador es de 33°F a 45°F (0°C a 7°C).

- Presione el botón con la flecha hacia abajo para bajar el punto de ajuste.
- Presione el botón con la flecha hacia arriba para subir el punto de ajuste.

NOTA: Para ver las temperaturas en grados centígrados, presione UNIDADES. Para fijar el ajuste en grados Fahrenheit nuevamente, presione UNIDADES una vez más.

Controles del congelador

Asegúrese de que esté seleccionado CONGELADOR. Las flechas hacia arriba y hacia abajo en la pantalla le permiten regular la temperatura del compartimiento del congelador. El rango de punto de ajuste para el congelador es de -5°F a 5°F (-21°C a -15°C).

- Presione el botón con la flecha hacia abajo para bajar el punto de ajuste.
- Presione el botón con la flecha hacia arriba para subir el punto de ajuste.

NOTA: Para ver las temperaturas en grados centígrados, presione UNIDADES. Para fijar el ajuste en grados Fahrenheit nuevamente, presione UNIDADES una vez más.

CONDICIÓN:	REGULACIÓN DE LA TEMPERATURA:
REFRIGERADOR demasiado frío	Ajuste del REFRIGERADOR 1° más alto
REFRIGERADOR demasiado caliente	Ajuste del REFRIGERADOR 1° más bajo
CONGELADOR demasiado frío	Ajuste del CONGELADOR 1° más alto
CONGELADOR demasiado caliente/muy poco hielo	Ajuste del CONGELADOR 1° más bajo

- Presione ATRÁS para salir del modo de ajuste.

Cooling On/Off (Encendido/Apagado del enfriamiento)

Para apagar el enfriamiento, presione y sostenga el botón de TEMP (Temperatura) en el panel del despachador por 3 segundos. Su refrigerador y congelador no se enfriarán cuando el enfriamiento esté apagado.

Para encender nuevamente el enfriamiento, presione y sostenga el botón de TEMP (Temperatura) nuevamente por 3 segundos.

Alarma de puerta entreabierta

La característica de Door Ajar Alarm (Alarma de puerta entreabierta) hace sonar una alarma cuando la puerta o el cajón del refrigerador, o el cajón del congelador permanece abierto/a durante 5 minutos y está funcionando el enfriamiento. La alarma se repetirá cada 2 minutos.

- Cierre todas las puertas y cajones para apagar la alarma. La alarma de reajusta y volverá a sonar cuando cualquier puerta o cajón se deje abierto por 5 minutos.
- Si necesita mantener las puertas abiertas y desea silenciar la alarma por hasta 5 minutos, presione ACCIÓN DE REPETICIÓN en la pantalla.
- Si necesita mantener las puertas abiertas y desea silenciar la alarma por más de 5 minutos, presione REAJUSTAR en la pantalla. La alarma permanecerá apagada hasta que todas las puertas y cajones se hayan cerrado. La alarma de reajusta y volverá a sonar cuando cualquier puerta o cajón se deje abierto por 5 minutos.

Indicador de corte de corriente (en algunos modelos)

El indicador de corte de corriente le hace saber si se ha interrumpido el suministro de energía al refrigerador por más de una hora.

Cuando se restablezca la energía, la alerta de corte de corriente aparecerá en la pantalla. La pantalla muestra cuánto tiempo permaneció el refrigerador sin energía, o usando horas exactas si el reloj se ha fijado.

Cuando el indicador está encendido, todas las otras funciones del despachador estarán desactivadas. Para usar el despachador, deberá volver a fijar el indicador de corte de corriente.

- Presione REAJUSTAR en la pantalla, luego presione SÍ para confirmar que desea reajustar el indicador.

En la pantalla de Home (Pantalla inicial), puede ver el historial de cortes de corriente del refrigerador. Presione OPCIONES y luego CORTE DE CORRIENTE.

Características

Nutrición

Provee información sobre nutrición, incluyendo tamaño de porciones y calorías, para alimentos de los grupos de alimentos comunes, tales como productos lácteos, frutas, granos, carne y pescado, vegetales y otros.

Consejos rápidos

Provee información detallada acerca de las características externas e internas del refrigerador.

Hielo

La fábrica de hielo produce hielo picado y en cubos. Antes de servir hielo, presione HIELO en la pantalla para seleccionar el tipo de hielo que le gustaría servir. La pantalla indica qué tipo de hielo se ha seleccionado. Vea “Despachadores de agua y hielo”.

Luz

Si usted desea que la luz esté encendida continuamente, presione LUZ en la pantalla para cambiar entre los ajustes de ENCENDIDO y APAGADO. La pantalla indica cuál es el modo seleccionado.

ENCENDIDO: La luz del despachador permanecerá encendida en un brillo uniforme.

APAGADO: La luz del despachador permanecerá apagada excepto cuando esté despachando agua o hielo.

NOTA: Las luces del despachador son LEDs y no se pueden cambiar. Si parece que las luces del despachador no están funcionando, vea “Solución de problemas” para obtener más información.

Agua

Para seleccionar un despachado estándar o medido. El llenado medido le permite distribuir agua por onza, taza o litro. Vea “Despachadores de agua y hielo”.

Opciones

Bloqueo

Los despachadores pueden apagarse para facilitar la limpieza o para evitar que sean activados accidentalmente por niños pequeños o animales domésticos. Vea “Despachadores de agua y hielo”.

Enfriamiento máximo

La característica de Enfriamiento máximo ayuda en los períodos de uso frecuente, cargas completas de comestibles o temperaturas ambientales temporalmente calientes.

En la pantalla, presione OPCIONES y luego ENFRIAMIENTO MÁXIMO. La pantalla indica si la característica está encendida o apagada. Presione el ícono de ENFRIAMIENTO MÁXIMO para cambiar de un ajuste a otro.

Una vez que esté activado, el ajuste de Enfriamiento máximo permanecerá encendido durante 24 horas a menos que se apague manualmente. La pantalla continuará mostrando los puntos de ajuste normales de temperatura.

NOTA: El ajuste del congelador a una temperatura más fría puede endurecer más algunos alimentos, como el helado.

Temporizador de cocina

Para ayudarlo con las actividades generales de la cocina, los controles incluyen una característica de temporizador.

1. En la pantalla, presione OPCIONES, seguido por TEMPORIZADOR.
2. Utilice las flechas hacia arriba y hacia abajo para ajustar las horas y los minutos según desee.
3. Para iniciar la cuenta regresiva del temporizador, presione INICIO. El temporizador no comenzará a trabajar si sale de la pantalla del temporizador sin presionar INICIO.
 - Cuando el temporizador está haciendo la cuenta regresiva, presione PAUSA para hacer una pausa en la misma. Oprima INICIO nuevamente para volver a comenzar la cuenta regresiva.
 - Para volver a poner el temporizador en cero, presione REAJUSTAR en cualquier momento.
 - Presione MAXIMIZAR para aumentar el tamaño de la letra en la cuenta regresiva de la pantalla. Cuando la cuenta regresiva llegue a cero, la pantalla volverá a la pantalla previa.

IMPORTANTE: Cuando utilice el temporizador, también puede usar otras características del control y del despachador. Presione el botón de HOME (Pantalla inicial) en el panel del despachador. La cuenta regresiva del temporizador se mostrará en la parte superior de la pantalla.

4. Cuando la cuenta regresiva llegue a cero, el reloj del temporizador destellará y sonará un tono, lo que se repetirá cada 30 segundos. Presione REAJUSTAR para apagar el tono y reajustar la característica del temporizador.

Filtro de agua

Provee información acerca del estado del filtro de agua e información sobre cómo pedir un repuesto del mismo. Después de reemplazar el filtro de agua, presione REAJUSTAR para cambiar el estado del filtro de agua. Vea “Sistema del filtro de agua”.

Uso y cuidado

Provee asistencia o información relativa al servicio, así como respuestas breves a algunas de las preguntas más frecuentes.

Preferencia

Le permite fijar la preferencia de idioma. Vea “Uso de los controles”. Le permite fijar las preferencias de hielo, agua y despachado. Vea “Despachadores de agua y hielo”.

Corte de corriente

Provee una historia de cortes de corriente, mostrando las fechas y horas en que sucedieron. Vea “Despachadores de agua y hielo”.

Fábrica de hielo

Le permite encender y apagar la fábrica de hielo. Vea “Fábrica de hielo y depósito de hielo”.

Ajustes

Hora y fecha

- Para cambiar la hora y la fecha que se muestran en la pantalla, presione OPCIONES, luego AJUSTES, seguido por HORA Y FECHA.

Para cambiar la hora, use las flechas hacia arriba y hacia abajo.

Para cambiar la fecha, presione CAMBIAR FECHA, después use las flechas para regular el ajuste según desee.

Volumen sonoro

- Para ajustar el volumen de todos los sonidos del despachador y del control, presione OPCIONES, luego AJUSTES, seguido por VOLUMEN. Seleccione el volumen deseado y espere 15 segundos o presione ATRÁS.

NOTA: El seleccionar SILENCIAR no desactivará la Alarma de puerta entreabierta.

Luminosidad de la pantalla

- Para ajustar la luminosidad de la pantalla, presione OPCIONES, luego AJUSTES, seguido por LUMINOSIDAD. Seleccione la luminosidad deseada y espere 15 segundos o presione ATRÁS.

Reajuste de fábrica

- Para volver a fijar todos los ajustes y preferencias del sistema a las posiciones de fábrica, presione OPCIONES, luego AJUSTES y por último REAJUSTE DE FÁBRICA. En la siguiente pantalla, presione SÍ para confirmar. Si usted presiona accidentalmente SÍ en vez de NO, tendrá 3 segundos para presionar ANULACIÓN y retener sus ajustes personalizados.

IMPORTANTE: Cuando decida volver a los ajustes por defecto, todas las preferencias personalizadas se perderán, incluyendo los puntos de ajuste de temperatura, preferencias y ajustes prefijados de despachado, selección de idioma, ajustes de volumen y brillo, la hora y la fecha.

Cuidado de la pantalla táctil

IMPORTANTE: No utilice objetos filosos cuando use la pantalla táctil. El hacerlo podría dañar la pantalla.

Para obtener información sobre cómo limpiar la pantalla táctil, vea "Limpieza".

Fábrica de hielo y depósito de hielo

IMPORTANTE:

- Enjuague el sistema de agua antes de encender la fábrica de hielo. Vea "Despachadores de agua y hielo".
- La fábrica de hielo y el depósito están ubicados en el lado izquierdo superior del compartimiento del refrigerador.

Para encender y apagar la fábrica de hielo

La fábrica de hielo tiene un apagado automático. Cuando esté encendida la fábrica de hielo, los sensores detendrán automáticamente la producción de hielo cuando el depósito esté lleno. La fábrica de hielo permanecerá en ENCENDIDO y la producción de hielo se reanudará cuando el depósito ya no esté lleno.

Para apagar manualmente la fábrica de hielo, presione el ícono de la fábrica de hielo u OPCIONES en la pantalla principal, seguido por FÁBRICA DE HIELO. En la pantalla siguiente, presione FÁBRICA DE HIELO nuevamente para cambiar entre ENCENDIDO y APAGADO. Cuando la fábrica de hielo está en APAGADO, dejará de producir hielo.

Para quitar y volver a colocar el depósito de hielo

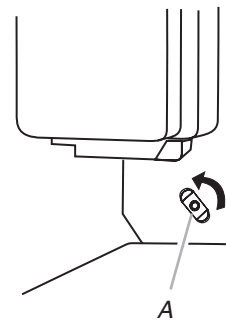
Para quitar el depósito de hielo:

1. Sostenga la base del depósito y presione el botón de liberación.
2. Jale el depósito hacia fuera.

Para volver a colocar el depósito de hielo:

IMPORTANTE: Tal vez sea necesario girar el regulador del trépano (que se encuentra detrás del depósito de hielo) hacia la izquierda, para alinear debidamente el depósito de hielo con el regulador del trépano. El depósito de hielo deberá estar seguro en su lugar para poder despachar el hielo adecuadamente.

1. Deslice el depósito de hielo en las guías que están ubicadas a cada lado del recinto.
2. Empuje el depósito de hielo hacia adentro hasta sentir una resistencia. Levante ligeramente el frente y empuje el depósito de hielo hasta que se escuche un chasquido.



A. Regulador del trépano

Ritmo de producción de hielo

- Deje transcurrir 24 horas para la producción del primer lote de hielo. Deshágase de los tres primeros lotes de hielo producidos.
- La fábrica de hielo deberá producir aproximadamente entre 8 y 12 lotes de hielo en un período de 24 horas.
- Para aumentar la producción de hielo, baje la temperatura del congelador y del refrigerador. Vea "Uso de los controles". Deje pasar 24 horas entre cada ajuste.

NOTA: El fijar el congelador en una temperatura más fría puede endurecer más algunos alimentos como el helado.

Recuerde

- La calidad del hielo dependerá de la calidad del agua que suministre a su fábrica de hielo. Evite la conexión de la fábrica de hielo a un suministro de agua blanda. Los químicos para ablandar el agua (como la sal) pueden dañar ciertos componentes de la fábrica de hielo y producir un hielo de muy baja calidad. Si no se puede evitar el uso de un suministro de agua blanda, asegúrese de que el ablandador de agua esté funcionando correctamente y que goce de un buen mantenimiento.
- No use instrumentos afilados para romper el hielo en el depósito. Esto puede dañar el depósito y el mecanismo de despachado.
- No guarde nada encima del depósito de hielo.

Despachadores de agua y hielo

IMPORTANTE:

- Después de haber conectado el refrigerador a un suministro de agua o después de cambiar el filtro de agua, enjuague el sistema de agua. Use un recipiente resistente para oprimir y sostener la barra del despachador por 5 segundos, luego suéltela por 5 segundos. Repita hasta que el agua comience a correr. Una vez que el agua haya comenzado a correr, continúe presionando y soltando la barra del despachador (5 segundos activado, 5 segundos desactivado) hasta despachar un total de 4 gal (15 L). Esto eliminará el aire en el filtro y en el sistema de despachado de agua, y preparará el filtro de agua para ser usado. En algunas casas se podrá requerir enjuague adicional. A medida que sale aire del sistema, es posible que salgan chorros de agua repentinos del despachador.
- Deje transcurrir 24 horas para que el refrigerador se enfríe y pueda enfriar el agua.
- Deje transcurrir 24 horas para la producción del primer lote de hielo. Deshágase de los tres primeros lotes de hielo producidos.

El despachador de agua

IMPORTANTE: Haga salir suficiente agua cada semana para mantener un suministro fresco.

La unidad de medida que aparece en la pantalla por defecto para despachar agua son onzas. Las unidades de medida se pueden cambiar a tazas o litros.

Para despachar agua (estándar):

1. Oprima un vaso resistente contra la almohadilla del despachador de agua O coloque el vaso debajo del despachador de agua y presione el botón del despachador de agua.



2. Retire el vaso O suelte el botón para detener la salida del agua.

Para despachar agua (Llenado medido):

La característica de Measured Fill (Llenado medido) le permite sacar una cantidad de agua determinada presionando unos pocos botones.

NOTA: Se distribuirá la cantidad de agua que usted ha seleccionado. Asegúrese de que el envase esté vacío y que pueda contener todo el volumen a distribuir. Si hay hielo en el envase, quizás deba ajustar su selección.

1. Presione WATER (Agua) en la pantalla para encender la característica.
NOTA: El despachador saldrá automáticamente del menú de Measured Fill (Llenado medido), después de 15 segundos de inactividad.
2. Puede distribuir agua por onza, taza o litro. Presione UNITS (Unidades) para seleccionar el ajuste deseado. A continuación se enlistan los volúmenes mínimos y máximos.

Unidades	Mínimo	Máximo
Onzas	1	128
Tazas	1/4	16
Litros	0,05	4

3. Presione las flechas hacia arriba y hacia abajo para ajustar el volumen según desee.

NOTA: La mayoría de las tazas de café (generalmente de 4 a 6 onzas [118 a 177 mL] por taza) no tienen la misma medida que la taza medidora (8 onzas [237 mL]). Es posible que necesite ajustar el volumen para evitar sobrellenar las tazas de café involuntariamente. La característica de Measured Fill (Llenado medido) está basada en la presión estándar de los hogares de 60 lbs/pulg². Los usuarios que tengan baja presión de agua necesitarán ajustar el volumen de la selección en consecuencia.

4. Para sacar agua, presione un vaso resistente contra la almohadilla del despachador O coloque el vaso debajo del despachador de agua y presione el botón del despachador de agua.



NOTA: Mientras despacha agua, la pantalla digital contará cuánta agua queda por distribuir, de acuerdo con el volumen seleccionado. El agua dejará de correr automáticamente una vez que el volumen deseado se haya despachado.

5. Para detener el despacho de agua antes de que se haya distribuido el volumen seleccionado, quite el vaso de la almohadilla del despachador O presione el botón del despachador de agua por segunda vez.

NOTA: Si detiene el despacho antes de que se haya distribuido el volumen seleccionado, la pantalla digital continuará mostrando cuánta agua queda por salir. La pantalla saldrá automáticamente del menú de Measured Fill (Llenado medido), después de 15 segundos de inactividad.

Para seleccionar un nuevo volumen o para seleccionar el mismo volumen nuevamente, primero debe dejar que termine de salir el volumen seleccionado o apague la característica de llenado medido y luego enciéndala nuevamente.

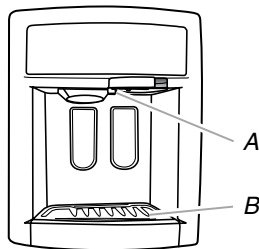
Volúmenes prefijados

El despachador puede guardar hasta 3 volúmenes de agua prefijados, para despachar fácilmente en los recipientes que se usen regularmente.

- Para guardar los ajustes prefijados, presione WATER (Agua) y luego PRESET (Prefijado). Ubique en la pantalla un ajuste prefijado que esté en blanco o que no quiera utilizar. Presione y sostenga ese ajuste prefijado durante 3 segundos, y el menú de ajuste prefijado aparecerá en la pantalla. Regule las unidades y el volumen de agua según lo desee, siguiendo los pasos 2 y 3 de la sección previa. Presione PREFIJADO para guardar el ajuste prefijado.
- Para usar los ajustes prefijados, presione AGUA, luego PREFIJADO y luego presione y suelte el ajuste prefijado deseado. Sirva agua como se indica en los pasos 4 y 5 de la sección anterior.

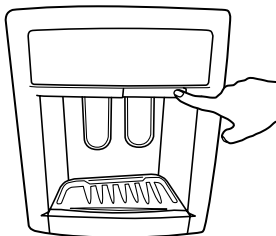
Grifo giratorio y charola extraíble (en algunos modelos)

En algunos modelos, el despachador tiene un grifo de agua giratorio y una bandeja extraíble en la base.



A. Grifo rotado
B. Charola extraíble

- El grifo gira hacia el centro para facilitar la distribución en envases grandes. Para girarlo, empuje el lado derecho del grifo, como se muestra.



Empuje hacia dentro sobre el lado izquierdo para girar el grifo nuevamente hacia su lugar.

NOTA: Cuando use el despachador con el grifo rotado, no use la almohadilla del despachador de agua. Use únicamente el botón de distribución de agua para despachar. Si saca el agua oprimiendo el envase contra la almohadilla del despachador de agua, se pueden producir derrames accidentales.

- Se puede sacar la charola un poco hacia fuera para poder sostener mejor los envases más grandes. Está diseñada para contener pequeños derrames y facilitar la limpieza. La bandeja no tiene desagüe.

NOTA: La charola puede quitarse del despachador y ser llevada a un lavabo para vaciarse o limpiarse. Jale la bandeja hacia afuera hasta que se detenga, levántela con cuidado sobre su parte posterior y deslicela hacia fuera por completo.

El despachador de hielo

El hielo se distribuye del depósito de la fábrica de hielo en el congelador cuando se presione la almohadilla del despachador. El sistema de distribución no funcionará cuando la puerta del refrigerador esté abierta. Para apagar la fábrica de hielo, vea "Fábrica de hielo y depósito de hielo".

Su fábrica de hielo puede producir hielo picado y en cubos. Antes de servir hielo, presione ICE (Hielo) en la pantalla para seleccionar el tipo de hielo que le gustaría servir.

La pantalla indica qué tipo de hielo se ha seleccionado. Para obtener hielo picado, los cubos se pican antes de ser despachados. Esto puede retrasar un poco la distribución del hielo picado. El ruido proveniente del triturador de hielo es normal y los trozos de hielo pueden variar en tamaño.

Cuando cambie de la posición de hielo picado a cubos, caen unas onzas de hielo picado junto con los primeros cubos.

Para despachar hielo:

1. Seleccione el tipo de hielo que desee.

⚠ ADVERTENCIA



Peligro de Cortaduras

Use un vaso resistente para recibir hielo del despachador.

No seguir esta instrucción puede ocasionar cortaduras.

2. Oprima un vaso resistente contra la almohadilla del despachador de hielo O coloque el vaso debajo del despachador de hielo y presione el botón del despachador de hielo.



Sostenga el vaso junto al orificio del despachador para que el hielo no caiga fuera del vaso.

IMPORTANTE: No necesita aplicar mucha presión a la almohadilla o el botón para activar el despachador de hielo. Oprimir fuerte no hará que el despachador funcione con más rapidez o produzca mayor cantidad de hielo.

3. Retire el vaso O suelte el botón para detener la salida del hielo.

NOTA: El hielo puede continuar saliendo por hasta 10 segundos después de haber retirado el vaso de la almohadilla o de haber soltado el botón. El despachador puede continuar haciendo ruido por algunos segundos después de haber despachado.

La luz del despachador

Cuando usted utilice el despachador, la luz se encenderá automáticamente. Si usted desea que la luz esté encendida continuamente, vea "Uso de los controles".

El bloqueo del despachador

El despachador puede apagarse para facilitar la limpieza o para evitar que sea activado involuntariamente por niños pequeños o animales domésticos.

NOTA: La función de cierre no interrumpe el flujo eléctrico al refrigerador, a la fábrica de hielo o a la luz del despachador. Únicamente desactiva los controles y las barras del despachador. Para apagar la fábrica de hielo, vea "Fábrica de hielo y depósito de hielo".

- Para bloquear el despachador, presione OPTIONS (Opciones), luego LOCK (Bloqueo) y por último YES (Sí). La pantalla confirmará cuando el despachador esté bloqueado.
- Para desbloquear el despachador, presione OPCIONES, luego BLOQUEO y por último YES (Sí). La pantalla confirmará cuando el despachador esté desbloqueado.

Luz de estado del filtro de agua

La luz del estado del filtro de agua le indicará cuándo cambiar el filtro de agua. Cuando la pantalla de estado del filtro de agua cambie de "NORMAL" a "PEDIR", esto le dirá que es casi tiempo de cambiar el cartucho del filtro de agua. Reemplace el cartucho del filtro de agua cuando la pantalla de estado del filtro de agua cambie a "REEMPLAZAR". El ícono de REPLACE (Reemplazar – rojo) destellará y sonará una alerta una vez después de que se haya despachado agua.

Si el flujo de agua a su despachador de agua o fábrica de hielo disminuye notoriamente, cambie el filtro más pronto. Se debe reemplazar el filtro al menos una vez cada 6 meses según la calidad del agua y el uso. Vea "Sistema de filtración de agua" para cambiar el filtro.

INDICADOR:	ESTADO:
NORMAL (verde)	Nuevo filtro instalado
PEDIR (amarillo)	Pedir filtro
REEMPLAZAR (rojo) O BIEN cuando disminuye el flujo del agua	Reemplazar el filtro del agua

Después de cambiar el filtro de agua, reajuste la luz de estado. En la pantalla, presione OPCIONES, luego FILTRO DE AGUA, seguido por REAJUSTAR y SÍ. La luz de estado cambiará de REEMPLAZAR (rojo) a NORMAL (verde) una vez que se haya reajustado el sistema.

Sistema de filtración de agua

El filtro de agua está ubicado en la esquina superior derecha del compartimiento del refrigerador.

No use con agua que no sea microbiológicamente segura o que sea de calidad desconocida sin desinfectarla adecuadamente antes o después del sistema. Pueden usarse sistemas certificados para la reducción de quistes en aguas desinfectadas que puedan contener quistes filtrables.

IMPORTANTE: El filtro de agua desechable deberá reemplazarse por lo menos cada 6 meses. Si el flujo de agua hacia el despachador de agua o a la fábrica de hielo disminuye sensiblemente antes de que pasen 6 meses, cambie el filtro más seguido.

Reemplazo del filtro de agua

Para comprar un filtro de agua de reemplazo, pieza N° UKF8001AXX, póngase en contacto con su distribuidor o llame al **1-877-232-6771** en EE.UU. o al **1-800-807-6777** en Canadá.

IMPORTANTE: El aire que quede atrapado en el sistema de agua puede hacer que se salga agua y el filtro. Siempre despache agua por un mínimo de 2 minutos antes de quitar el filtro o la tapa azul de paso.

1. Para tener acceso al filtro, presione hacia arriba en la sección con relieve de la cubierta del filtro de agua.
2. Gire el filtro en el sentido contrario a las manecillas del reloj para sacarlo.
3. Saque la etiqueta de sellado del filtro de reemplazo e inserte el extremo del filtro dentro de la cabeza del filtro.
4. Gire el filtro hacia la derecha hasta que se detenga. Encaje la cubierta del filtro en su lugar y ciérrela.
5. Enjuague el sistema de agua. Vea "Despachadores de agua y hielo".

NOTA: La característica del despachador se puede usar sin tener un filtro de agua instalado. El agua no estará filtrada. Si se elige esta opción, reemplace el filtro con la tapa azul de paso.

CUIDADO DE SU REFRIGERADOR

Limpieza

⚠ ADVERTENCIA



Peligro de Explosión

Use un limpiador no inflamable.

No seguir esta instrucción puede ocasionar la muerte, explosión o incendio.

Tanto la sección del refrigerador como la del congelador se descongelan automáticamente. No obstante, limpie ambas secciones más o menos una vez al mes para evitar la acumulación de olores. Limpie los derrames de inmediato.

IMPORTANTE:

- Debido a que el aire circula entre ambas secciones, cualquier olor que se forma en una sección pasará a la otra. Usted debe limpiar meticulosamente ambas secciones para eliminar olores. Para evitar la transferencia de olores y la deshidratación de los alimentos, envuelva o tape bien los alimentos.
- No use productos de limpieza abrasivos o irritantes, como aerosoles para ventanas, productos de limpieza para pulir, líquidos inflamables, ceras para limpieza, detergentes concentrados, quitaesmalte, blanqueadores o productos de limpieza que contengan productos de petróleo. No use toallas de papel, estropajos para fregar ni otros utensilios de limpieza ásperos, ya que pueden rayar o dañar los materiales.

Limpieza del interior

1. Desenchufe el refrigerador o desconecte el suministro de energía.
2. Utilizando una esponja o un paño suave y una solución de detergente suave y agua tibia, lave a mano, enjuague y seque a fondo las piezas removibles y las superficies interiores.
3. Enchufe el refrigerador o reconecte el suministro de energía.

Limpie la pantalla táctil en el panel del despachador

1. Para evitar cambiar los ajustes accidentalmente, asegúrese que el refrigerador esté desconectado o que se haya desconectado el suministro de energía antes de limpiar la pantalla.
2. Mezcle una solución de detergente suave en agua tibia. Humedezca un paño suave que no deje pelusa con la solución y limpie la pantalla cuidadosamente.
NOTA: No rocíe ni limpie líquidos directamente sobre la pantalla, ni empape el paño.
3. Enchufe el refrigerador o reconecte el suministro de energía.

Limpie las superficies exteriores

1. Desenchufe el refrigerador o desconecte el suministro de energía.
2. Utilizando una esponja o paño suave y una solución de detergente suave y agua tibia, lave, enjuague y seque a fondo el exterior de acero inoxidable y metal pintado.
 - Para mantener como nuevo su refrigerador de acero inoxidable y para quitar marcas o rayaduras pequeñas, se sugiere usar el limpiador de acero inoxidable aprobado por el fabricante, Pieza número 20000008. Para pedir el limpiador, llame al **1-800-232-6771** en EE.UU. o al **1-800-807-6777** en Canadá.

IMPORTANTE: ¡Este limpiador es solamente para partes de acero inoxidable!

No permita que el limpiador de acero inoxidable entre en contacto con ninguna parte de plástico tales como las piezas decorativas, las tapas del despachador o las juntas de la puerta. Si se produce contacto no intencional, limpie la pieza de plástico con una esponja y detergente suave en agua tibia. Seque meticulosamente con un paño suave.

3. Enchufe el refrigerador o reconecte el suministro de energía.

Limpieza del condensador

Una limpieza rutinaria del condensador no es necesaria en ambientes normales de operación en el hogar. Si el ambiente es particularmente grasoso o polvoriento, o si hay bastante tránsito de mascotas en el hogar, el condensador deberá limpiarse cada dos o tres meses para asegurar la máxima eficacia.

Si necesita limpiar el condensador:

1. Desenchufe el refrigerador o desconecte el suministro de energía.
2. Quite la rejilla de la base.
3. Use una aspiradora con un cepillo suave para limpiar la rejilla, las áreas abiertas detrás de la rejilla y la superficie frontal del condensador.
4. Vuelva a colocar la rejilla de la base cuando termine.
5. Enchufe el refrigerador o reconecte el suministro de energía.

Cómo cambiar el foco

NOTA: No todos los focos para electrodomésticos son adecuados para su refrigerador. Asegúrese de reemplazar el foco con otro foco para electrodomésticos del mismo tamaño, forma y vataje (que no sea de más de 40 vatios).

- Las luces del despachador son LEDs y no se pueden cambiar.
- En algunos modelos, las luces interiores son LEDs que no pueden cambiarse.
- Algunos modelos tienen LEDs en un compartimiento y un foco para electrodomésticos en otro compartimiento.

Para reemplazar un foco para electrodomésticos:

1. Desenchufe el refrigerador o desconecte el suministro de energía.
2. Reemplace el(los) foco(s) quemado(s) con un foco(s) para electrodomésticos que no sea(n) de más de 40 vatios.
3. Enchufe el refrigerador o reconecte el suministro de energía.

SOLUCIÓN DE PROBLEMAS

Pruebe primero las soluciones sugeridas aquí o visite nuestro sitio de internet y consulte "Preguntas que se hacen con frecuencia", para evitar posiblemente el costo de una visita de servicio técnico. En EE.UU., www.maytag.com En Canadá, www.maytag.ca

Funcionamiento del refrigerador

El refrigerador no funciona

⚠ ADVERTENCIA



Peligro de Choque Eléctrico

Conecte a un contacto de pared de conexión a tierra de 3 terminales.

No quite la terminal de conexión a tierra.

No use un adaptador.

No use un cable eléctrico de extensión.

No seguir estas instrucciones puede ocasionar la muerte, incendio o choque eléctrico.

- **¿Está desenchufado el cable eléctrico?** Conecte a un contacto de pared de conexión a tierra de 3 terminales.

- **¿Funciona el contacto?** Enchufe una lámpara para ver si funciona el contacto.
- **¿Hay un fusible de la casa fundido o se disparó el cortacircuitos?** Reemplace el fusible o repositone el cortacircuitos. Si el problema continúa, llame a un electricista.
- **¿Están encendidos los controles?** Asegúrese de que los controles del refrigerador estén encendidos. Vea "Uso del(de los) control(es)".
- **¿Es nueva la instalación?** Deje transcurrir 24 horas después de la instalación para que el refrigerador se enfríe por completo.

NOTA: El ajustar los controles de temperatura en la posición más fría no enfría ningún compartimiento más rápido.

Parece que el motor funciona excesivamente

Es posible que su nuevo refrigerador funcione por períodos más largos que su refrigerador anterior debido al compresor y los ventiladores de alto rendimiento. Es posible que la unidad funcione por más tiempo si la habitación está caliente, si se ha agregado una gran cantidad de alimentos, si se abren las puertas con frecuencia o si se han dejado las mismas abiertas.

Parece que el refrigerador es ruidoso

El ruido del refrigerador se ha ido reduciendo a lo largo de los años. Debido a esta reducción, es posible que escuche ruidos intermitentes en su nuevo refrigerador que no había notado en el modelo viejo. A continuación se enumeran algunos sonidos normales con explicaciones.

- **Zumbido** - se escucha cuando la válvula de agua se abre para llenar la fábrica de hielo
- **Sonido pulsante** - los ventiladores/el compresor se están ajustando para obtener el máximo desempeño
- **Sonido sibilante/vibraciones** - flujo de líquido refrigerante, movimiento de la tubería de agua o artículos guardados arriba del refrigerador
- **Chisporroteos/Gorgoteos** - agua goteando en el calentador durante el ciclo de descongelación
- **Estallido** - contracción/expansión de las paredes interiores, especialmente durante el enfriamiento inicial
- **Agua corriendo** - puede escucharse cuando el hielo se derrite durante el ciclo de descongelación y el agua corre hacia la bandeja recolectora
- **Chirridos/Crujidos** - esto ocurre cuando el hielo es expulsado del molde de la fábrica de hielo.

Las puertas no cierran completamente

- **¿Está bloqueada la puerta?** Mueva los paquetes de alimentos lejos de la puerta.
- **¿Hay un recipiente o un estante bloqueando el paso?** Empuje el recipiente o el estante nuevamente a la posición correcta.

Es difícil abrir las puertas

ADVERTENCIA



Peligro de Explosión

Use un limpiador no inflamable.

No seguir esta instrucción puede ocasionar la muerte, explosión o incendio.

- **¿Están las juntas sucias o pegajosas?** Limpie las juntas y las superficies de contacto con jabón suave y agua tibia. Enjuague y seque con un paño suave.

Temperatura y humedad

La temperatura está demasiado caliente

- **¿Es nueva la instalación?** Deje transcurrir 24 horas después de la instalación para que el refrigerador se enfríe por completo.
- **¿Se abre(n) o se deja(n) abierta(s) la(s) puerta(s) a menudo?** Esto hace que entre aire tibio al refrigerador. Reduzca al mínimo el número de veces que abre la puerta y mantenga las puertas completamente cerradas.
- **¿Se ha agregado una gran cantidad de alimentos?** Deje que transcurran varias horas para que el refrigerador vuelva a la temperatura normal.
- **¿Se han ajustado los controles correctamente de acuerdo con las condiciones circundantes?** Ajuste los controles un ajuste más frío. Fijese en la temperatura en 24 horas. Vea "Uso del(de los) control(es)".

La temperatura está demasiado baja en el refrigerador

- **¿Está bloqueado el orificio de ventilación del refrigerador?** Si el orificio de ventilación, ubicado en la esquina superior posterior izquierda del compartimiento del refrigerador, está obstruido con artículos colocados directamente en frente del mismo, la temperatura del refrigerador se pondrá demasiado baja. Mueva los artículos lejos del orificio de ventilación de aire.
- **¿Está el depósito de hielo en la posición correcta?** Vea "Fábrica de hielo y depósito de hielo".
- **¿Se han ajustado los controles correctamente de acuerdo con las condiciones circundantes?** Ajuste los controles en un ajuste más caliente. Fijese en la temperatura en 24 horas. Vea "Uso del (de los) control(es)".

Hay acumulación de humedad en el interior

NOTA: Es normal que se acumule un poco de humedad.

- **¿Está húmeda la habitación?** Esto contribuye a la acumulación de humedad.
- **¿Se abre(n) o se deja(n) abierta(s) la(s) puerta(s) a menudo?** Esto hace que entre aire húmedo al refrigerador. Reduzca al mínimo el número de veces que abre la puerta y mantenga las puertas completamente cerradas.

Hielo y agua

La fábrica de hielo no produce hielo o no produce suficiente hielo

- **¿Se ha conectado el refrigerador a un suministro de agua y se ha abierto la válvula de cierre?** Conecte el refrigerador al suministro de agua y abra completamente la válvula de cierre.
- **¿Hay una torcedura en la tubería de suministro de agua?** Una torcedura en la tubería puede reducir el flujo de agua. Enderece la tubería de suministro de agua.
- **¿Está encendida la fábrica de hielo?** Asegúrese de que la fábrica de hielo esté encendida. Vea "Fábrica de hielo y depósito de hielo".
- **¿Es nueva la instalación?** Espere 24 horas después de la instalación de la fábrica de hielo para que empiece a producir hielo. Deje transcurrir 72 horas para la producción total de hielo.

- **¿Está completamente cerrada la puerta del refrigerador?** Cierre la puerta con firmeza. Si no se cierra completamente, vea “Las puertas no cierran completamente”.
- **¿Se acaba de sacar una gran cantidad de hielo?** Deje transcurrir 24 horas para que la fábrica de hielo produzca más hielo.
- **¿Se trabó un cubo de hielo en el brazo eyector de la fábrica de hielo?** Saque el hielo del brazo eyector con un utensilio de plástico.
- **¿Tiene un filtro de agua instalado en el refrigerador?** Saque el filtro y ponga a funcionar la fábrica de hielo. Si el volumen de hielo aumenta, el filtro puede estar obstruido o haberse instalado incorrectamente. Reemplace el filtro o vuelva a instalarlo correctamente.
- **¿Se ha conectado un sistema de filtración de agua de ósmosis inversa al suministro de agua fría?** Esto puede hacer que disminuya la presión de agua. Vea “Requisitos del suministro de agua”.

Los cubos de hielo son huecos o pequeños

NOTA: Esto es una indicación de baja presión de agua.

- **¿No está abierta por completo la válvula de cierre de agua?** Abra completamente la válvula de cierre de agua.
- **¿Hay una torcedura en la tubería de suministro de agua?** Una torcedura en la tubería puede reducir el flujo de agua. Enderece la tubería de suministro de agua.
- **¿Tiene un filtro de agua instalado en el refrigerador?** Saque el filtro y ponga a funcionar la fábrica de hielo. Si mejora la calidad de hielo, el filtro puede estar obstruido o haberse instalado incorrectamente. Reemplace el filtro o vuelva a instalarlo correctamente.
- **¿Se ha conectado un sistema de filtración de agua de ósmosis inversa al suministro de agua fría?** Esto puede hacer que disminuya la presión de agua. Vea “Requisitos del suministro de agua”.
- **¿Aún tiene preguntas acerca de la presión de agua?** Llame a un plomero competente autorizado.

El hielo tiene mal sabor, mal olor o un color grisáceo

- **¿Son nuevas las conexiones de plomería?** Las conexiones nuevas de plomería pueden producir un hielo descolorido o de mal sabor.
- **¿Se han guardado los cubos de hielo por mucho tiempo?** Deseche ese hielo. Lave el recipiente de hielo. Deje transcurrir 24 horas para que la fábrica de hielo haga hielo nuevo.
- **¿Ha habido una transferencia de olor de los alimentos?** Use empaques herméticos contra humedad para almacenar comida.
- **¿Contiene el agua minerales (como el azufre)?** Podría ser necesario instalar un filtro de agua para eliminar los minerales.
- **¿Tiene un filtro de agua instalado en el refrigerador?** Un descoloramiento o un color gris del hielo indican que el sistema de filtración de agua necesita enjuagarse más. Enjuague el sistema de agua antes de usar un nuevo filtro. Reemplace el filtro de agua cuando se indique. Vea “Sistema de filtración de agua”.

El despachador de agua y hielo no funciona debidamente

- **¿Se ha conectado el refrigerador a un suministro de agua y se ha abierto la válvula de cierre?** Conecte el refrigerador al suministro de agua y abra completamente la válvula de cierre.
- **¿Hay un estrechamiento en la tubería de suministro de agua?** Enderece la tubería de suministro de agua.
- **¿Es nueva la instalación?** Enjuague y llene el sistema de agua. Vea “Despachadores de agua y hielo”.
- **¿Está la presión de agua a por lo menos 35 lbs/pulg² (241 kPa)?** La presión de agua de la casa determina el flujo del despachador. Vea “Requisitos del suministro de agua”.
- **¿Tiene un filtro de agua instalado en el refrigerador?** Saque el filtro y ponga a funcionar el despachador. Si mejora el flujo de agua, el filtro puede estar obstruido o haberse instalado incorrectamente. Reemplace el filtro o vuelva a instalarlo correctamente.
- **¿Está completamente cerrada la puerta del refrigerador?** Cierre la puerta con firmeza. Si no se cierra completamente, vea “Las puertas no cierran completamente”.
- **¿Ha quitado las puertas recientemente?** Asegúrese de que el conjunto de tubería/alambre del despachador de agua se haya vuelto a conectar como es debido en la parte superior de la puerta del refrigerador. Vea “Puertas y cajón del refrigerador”.
- **¿Se ha conectado un sistema de filtración de agua de ósmosis inversa al suministro de agua fría?** Esto puede hacer que disminuya la presión de agua. Vea “Requisitos del suministro de agua”.

Hay fugas de agua en el sistema del despachador

NOTA: Es normal que caigan una o dos gotas de agua después de despachar agua.

- **¿No se ha puesto el vaso debajo del despachador el tiempo suficiente?** Sostenga el vaso debajo del despachador por 2 a 3 segundos después de soltar la palanca del despachador.
- **¿Es nueva la instalación?** Enjuague el sistema de agua. Vea “Despachadores de agua y hielo”.
- **¿Ha cambiado recientemente el filtro de agua?** Enjuague el sistema de agua. Vea “Despachadores de agua y hielo”.

El agua del despachador está tibia

NOTA: El agua del despachador se enfría solamente a 50°F (10°C).

- **¿Es nueva la instalación?** Deje transcurrir 24 horas después de la instalación para que el suministro de agua se enfríe completamente.
- **¿Se ha despachado recientemente una gran cantidad de agua?** Deje transcurrir 24 horas para que el suministro de agua se enfríe completamente.
- **¿No se ha usado el despachador de agua recientemente?** Puede ser que el primer vaso de agua no esté frío. Descarte el agua del primer vaso.
- **¿Se ha conectado el refrigerador a una tubería de agua fría?** Asegúrese de que el refrigerador esté conectado a una tubería de agua fría. Vea “Requisitos del suministro de agua”.

HOJA DE DATOS DEL RENDIMIENTO

Sistema interno de filtración de agua Modelo UKF8001AXX-750 Capacidad 750 galones (2839 litros)



Sistema probado y certificado por NSF International según la norma NSF/ANSI 42 para la reducción de cloro, sabor y olor, de partículas de clase I* y según la norma NSF/ANSI 53 para la reducción de plomo, mercurio, atrazina, benceno, paradiclorobenceno, carbofurano, toxafeno, quistes, turbidez, asbestos, tetracloroetileno y lindano.

Este sistema ha sido comprobado según las normas NSF/ANSI 42 y 53 para la reducción de las sustancias citadas a continuación. La concentración de las sustancias indicadas en agua entrando al sistema fue reducida a una concentración menor o igual al límite permitido para agua saliendo del sistema, tal como se especifica en las normas NSF/ANSI 42 y 53.

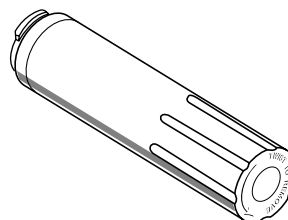
Reducción de sustancias Efectos estéticos	Requisitos de reducción de NSF	Promedio influente	Concentración en el agua a tratar	Máximo efluente	Promedio efluente	% mínimo de reducción	% promedio de reducción
Cloro, sabor/olor Clase de partículas I*	50% reducción 85% reducción	2,00 mg/L 14.000.000 #/mL	2,0 mg/L ± 10% Por lo menos 10.000 partículas/mL	0,06 mg/L 370.000 #/mL**	0,050625 mg/L 196.666 #/mL	97,00% 97,40%	97,52% 99,00%
Reducción de contaminantes	Requisitos de reducción de NSF	Promedio influente	Concentración en el agua a tratar	Máximo efluente	Promedio efluente	% mínimo de reducción	% promedio de reducción
Plomo: a pH 6,5 Plomo: a pH 8,5	0,010 mg/L 0,010 mg/L	0,150 mg/L [†] 0,150 mg/L [†]	0,15 mg/L ± 10% 0,15 mg/L ± 10%	< 0,001 mg/L < 0,001 mg/L	< 0,001 mg/L < 0,001 mg/L	>99,30% >99,30%	>99,30% >99,30%
Mercurio: a pH 6,5 Mercurio: a pH 8,5	0,002 mg/L 0,002 mg/L	0,006 mg/L 0,0059 mg/L	0,006 mg/L ± 10% 0,006 mg/L ± 10%	0,0005 mg/L 0,0018 mg/L	0,0003 mg/L 0,00073 mg/L	91,70% 69,20%	95,00% 88,10%
Benceno	0,005 mg/L	0,0133 mg/L	0,015 mg/L ± 10%	0,0005 mg/L	0,0005 mg/L	96,10%	96,30%
Paradiclorobenceno	0,075 mg/L	0,210 mg/L	0,225 mg/L ± 10%	< 0,0005 mg/L	< 0,0005 mg/L	>99,80%	>99,80%
Carbofurano	0,040 mg/L	0,0753 mg/L	0,08 mg/L ± 10%	0,027 mg/L	0,008 mg/L	64,60%	73,45%
Toxafeno	0,003 mg/L	0,015 mg/L	0,015 ± 10%	< 0,001 mg/L	< 0,001 mg/L	>93,3%	>93,3%
Atrazina	0,003 mg/L	0,0102 mg/L	0,009 mg/L ± 10%	0,0027 mg/L	0,00105 mg/L	76,30%	89,40%
Asbestos	>99%	126,5 MF/L	10 ⁷ a 10 ⁸ fibras/L ^{††}	<0,17 MF/L	<0,17 MF/L	>99,99%	>99,99%
Quistes vivos [‡] Turbidez	>99,95% 0,5 NTU	122.500 #/L 10,5 NTU	50.000/L mín. 11 ± 1 NTU	<1 #/L [‡] 0,30 NTU	<1 #/L [‡] 0,125 NTU	>99,99% 97,30%	>99,99% 98,80%
Lindano	0,0002 mg/L	0,0019 mg/L	0,002 ± 10%	< 0,00016 mg/L	0,000035 mg/L	91,80%	97,90%
Tetracloroetileno	0,005 mg/L	0,015 mg/L	0,015 mg/L ± 10%	< 0,0005 mg/L	< 0,0005 mg/L	>96,6%	>96,6%

Parámetros de la prueba: pH = 7,5 ± 0,5 si no se indica lo contrario. Flujo = 0,78 gpm (1,9 Lpm). Presión = 60 lbs/pulg² (413,7 kPa). Temp. = 68°F ± 5°F (20°C ± 3°C).

- Es esencial que los requerimientos de operación, mantenimiento y reemplazo del filtro se lleven a cabo para que el producto se desempeñe tal como se ofrece en la publicidad.
- El filtro de agua desechable deberá reemplazarse por lo menos cada 6 meses.
- El sistema monitor del filtro mide la cantidad de agua que pasa a través del filtro y lo pone en alerta para reemplazar el filtro. Cuando se ha usado el 90% de la duración nominal del filtro, se encenderá la luz amarilla (Order - Pedir). Cuando se ha usado el 100% de la duración nominal del filtro, se encenderá la luz roja (Replace - Reemplazar) y se le recomienda reemplazar el filtro. Para los modelos sin luces de estado del filtro, reemplace el filtro cada 6 meses. Use el modelo de filtro de repuesto UKF8001AXX-750. Precio sugerido de venta al por menor en el 2009 de \$44,99 en EE.UU./\$49,95 en Canadá. Los precios están sujetos a cambio sin previo aviso.
- El producto es para uso con agua fría únicamente.
- No use con agua que no sea microbiológicamente segura o que sea de calidad desconocida sin desinfectarla adecuadamente antes o después del sistema. Pueden usarse sistemas certificados para la reducción de quistes en aguas desinfectadas que puedan contener quistes filtrables.
- Consulte la sección "Sistema de filtración de agua" para obtener el nombre y número telefónico del fabricante.
- Refiérase a la sección "Garantía" para verificar la garantía limitada del fabricante.

Pautas de aplicación/Parámetros para el suministro de agua

Suministro de agua	Municipal o de pozo
Presión de agua	35 - 120 lbs/pulg ² (241 - 827 kPa)
Temperatura de agua	33° - 100°F (1° - 38°C)
Tasa de flujo de servicio	0,78 gpm (2,9 L/min.) a 60 lbs/pulg ²



*Tamaño de las partículas clase I: >0,5 a <1 um

**El requisito de prueba es de cuando menos 100.000 partículas/ml de polvo fino de prueba AC.

†Estos contaminantes no se encuentran necesariamente en su suministro de agua. El rendimiento puede variar según las condiciones del agua local.

††Fibras mayores de 10 um de longitud.

‡Basado en la filtración de quistes de *Cryptosporidium parvum*.

® NSF es una marca registrada de NSF International.

Sistema interno de filtración de agua Modelo UKF8001AXX-200 Capacidad 200 galones (757 litros)



Sistema probado y certificado por NSF International según la norma NSF/ANSI 42 para la reducción de cloro, sabor y olor, de partículas de clase I* y según la norma NSF/ANSI 53 para la reducción de plomo, mercurio, atrazina, benceno, paradichlorobenceno, carbofurano, toxafeno, quistes, turbidez, asbestos, O-diclorobenceno, etilbenceno, clorobenceno, endrina, tetracloroetileno y lindano.

Este sistema ha sido comprobado según las normas NSF/ANSI 42 y 53 para la reducción de las sustancias citadas a continuación. La concentración de las sustancias indicadas en agua entrando al sistema fue reducida a una concentración menor o igual al límite permitido para agua saliendo del sistema, tal como se especifica en las normas NSF/ANSI 42 y 53.

Reducción de sustancias Efectos estéticos	Requisitos de reducción de NSF	Promedio influente	Concentración en el agua a tratar	Máximo efluente	Promedio efluente	% mínimo de reducción	% promedio de reducción
Cloro, sabor/olor Clase de partículas I*	50% reducción 85% reducción	2,00 mg/L 14.000.000 #/mL	2,0 mg/L ± 10% Por lo menos 10.000 partículas/mL	0,06 mg/L 370.000 #/mL**	0,050625 mg/L 196.666 #/mL	97,00% 97,40%	97,52% 99,00%
Reducción de contaminantes	Requisitos de reducción de NSF	Promedio influente	Concentración en el agua a tratar	Máximo efluente	Promedio efluente	% mínimo de reducción	% promedio de reducción
Plomo: a pH 6,5 Plomo: a pH 8,5	0,010 mg/L 0,010 mg/L	0,150 mg/L [†] 0,150 mg/L [†]	0,15 mg/L ± 10% 0,15 mg/L ± 10%	< 0,001 mg/L < 0,001 mg/L	< 0,001 mg/L < 0,001 mg/L	>99,30% >99,30%	>99,30% >99,30%
Mercurio: a pH 6,5 Mercurio: a pH 8,5	0,002 mg/L 0,002 mg/L	0,006 mg/L 0,0059 mg/L	0,006 mg/L ± 10% 0,006 mg/L ± 10%	0,0005 mg/L 0,0018 mg/L	0,0003 mg/L 0,00073 mg/L	91,70% 69,20%	95,00% 88,10%
Benceno	0,005 mg/L	0,0133 mg/L	0,015 mg/L ± 10%	0,0005 mg/L	0,0005 mg/L	96,10%	96,30%
Paradichlorobenceno	0,075 mg/L	0,210 mg/L	0,225 mg/L ± 10%	< 0,0005 mg/L	< 0,0005 mg/L	>99,80%	>99,80%
Carbofurano	0,040 mg/L	0,0753 mg/L	0,08 mg/L ± 10%	0,027 mg/L	0,008 mg/L	64,60%	73,45%
Toxafeno	0,003 mg/L	0,015 mg/L	0,015 ± 10%	< 0,001 mg/L	< 0,001 mg/L	>93,3%	>93,3%
Atrazina	0,003 mg/L	0,0102 mg/L	0,009 mg/L ± 10%	0,0027 mg/L	0,00105 mg/L	76,30%	89,40%
Asbestos	>99%	126,5 MF/L	10 ⁷ a 10 ⁸ fibras/L ^{††}	<0,17 MF/L	<0,17 MF/L	>99,99%	>99,99%
Quistes vivos [‡] Turbidez	>99,95% 0,5 NTU	122.500 #/L 11 ± 1 NTU	50.000/L mín. 11 ± 1 NTU	<1 #/L [‡] 0,30 NTU	<1 #/L [‡] 0,125 NTU	>99,99% 97,30%	>99,99% 98,80%
Lindano	0,0002 mg/L	0,0019 mg/L	0,002 ± 10%	< 0,00016 mg/L	0,000035 mg/L	91,80%	97,90%
Tetracloroetileno	0,005 mg/L	0,015 mg/L	0,015 mg/L ± 10%	< 0,0005 mg/L	< 0,0005 mg/L	>96,6%	>96,6%
O-diclorobenceno	0,6 mg/L	1,7 mg/L	1,8 mg/L ± 10%	< 0,5 mg/L	< 0,5 mg/L	>99,9%	>99,9%
Etilbenceno	0,7 mg/L	2,2 mg/L	2,1 mg/L ± 10%	0,0048 mg/L	0,11 mg/L	99,80%	99,90%
Clorobenceno	0,1 mg/L	2,0 mg/L	2,0 mg/L ± 10%	0,0038 mg/L	0,0008 mg/L	99,80%	99,90%
Endrina	0,002 mg/L	0,007 mg/L	0,006 mg/L ± 10%	0,0004 mg/L	0,0002 mg/L	94,30%	96,80%

Parámetros de la prueba: pH = 7,5 ± 0,5 si no se indica lo contrario. Flujo = 0,78 gpm (1,9 Lpm). Presión = 60 lbs/pulg² (413,7 kPa). Temp. = 68°F ± 5°F (20°C ± 3°C).

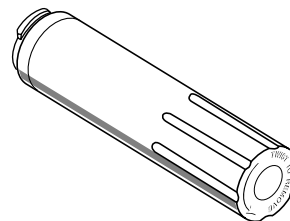
- Es esencial que los requerimientos de operación, mantenimiento y reemplazo del filtro se lleven a cabo para que el producto se desempeñe tal como se ofrece en la publicidad.
- El filtro de agua desechable deberá reemplazarse por lo menos cada 6 meses.
- El sistema monitor del filtro mide la cantidad de agua que pasa a través del filtro y lo pone en alerta para reemplazar el filtro. Cuando se ha usado el 90% de la duración nominal del filtro, se encenderá la luz amarilla (Order - Pedir). Cuando se ha usado el 100% de la duración nominal del filtro, se encenderá la luz roja (Replace - Reemplazar) y se le recomienda reemplazar el filtro. Para los modelos sin luces de estado del filtro, reemplace el filtro cada 6 meses. Use el modelo de filtro de repuesto UKF8001AXX-200. Precio sugerido de venta al por menor en el 2009 de \$44,99 en EE.UU./\$49,95 en Canadá. Los precios están sujetos a cambio sin previo aviso.
- El producto es para uso con agua fría únicamente.
- No use con agua que no sea microbiológicamente segura o que sea de calidad desconocida sin desinfectarla adecuadamente antes o después del sistema. Pueden usarse

sistemas certificados para la reducción de quistes en aguas desinfectadas que puedan contener quistes filtrables.

- Consulte la sección "Sistema de filtración de agua" para obtener el nombre y número telefónico del fabricante.
- Refiérase a la sección "Garantía" para verificar la garantía limitada del fabricante.

Pautas de aplicación/Parámetros para el suministro de agua

Suministro de agua	Municipal o de pozo
Presión de agua	35 - 120 lbs/pulg ² (241 - 827 kPa)
Temperatura de agua	33° - 100°F (1° - 38°C)
Tasa de flujo de servicio	0,78 gpm (2,9 L/min.) a 60 lbs/pulg ²



*Tamaño de las partículas clase I: >0,5 a <1 um

**El requisito de prueba es de cuando menos 100.000 partículas/ml de polvo fino de prueba AC.

†Estos contaminantes no se encuentran necesariamente en su suministro de agua. El rendimiento puede variar según las condiciones del agua local.

††Fibras mayores de 10 um de longitud.

‡Basado en la filtración de quistes de *Cryptosporidium parvum*.

© NSF es una marca registrada de NSF International.

GARANTÍA LIMITADA DE LOS PRODUCTOS DE REFRIGERACIÓN MAYTAG®

GARANTÍA LIMITADA DURANTE EL PRIMER AÑO (PIEZAS Y MANO DE OBRA)

Durante un año a partir de la fecha de compra, siempre y cuando este electrodoméstico principal haya sido instalado, operado y mantenido de conformidad con las instrucciones adjuntas o provistas con el producto, la marca Maytag de Whirlpool Corporation o Whirlpool Canada, LP (en lo sucesivo denominada "Maytag") pagará por el costo de las piezas de repuesto especificadas de fábrica y del trabajo de reparación para corregir defectos en los materiales o en la mano de obra, existentes en el momento de la compra de este electrodoméstico principal.

GARANTÍA LIMITADA DEL SEGUNDO AL DÉCIMO AÑO (SÓLO PARA EL COMPRESOR - NO SE INCLUYE LA MANO DE OBRA)

Desde el segundo al décimo año desde la fecha de compra original, siempre y cuando este electrodoméstico principal haya sido instalado, operado y mantenido de conformidad con las instrucciones adjuntas o provistas con el producto, Maytag pagará por el compresor de repuesto especificado de fábrica para corregir defectos no estéticos en los materiales o en la mano de obra que tenga esta pieza, los cuales eviten el funcionamiento del refrigerador, y que hayan existido en el momento de la compra de este electrodoméstico principal. Esta garantía limitada de 10 años es solamente para el compresor y no incluye la mano de obra.

SU ÚNICO Y EXCLUSIVO RECURSO SEGÚN LOS TÉRMINOS DE LA GARANTÍA LIMITADA SERÁ EL DE REPARAR EL PRODUCTO SEGÚN SE ESTIPULA EN LA PRESENTE. El servicio deberá ser suministrado por una compañía de servicio designada por Maytag. Esta garantía limitada es válida en Estados Unidos o en Canadá y se aplica solamente cuando el electrodoméstico principal se use en el país en el que se ha comprado. Esta garantía limitada entrará en vigor a partir de la fecha de la compra del consumidor original. Se requiere una prueba de la fecha de compra original para obtener servicio bajo esta garantía limitada

EXCLUSIONES DE LA GARANTÍA

Esta garantía limitada no cubre:

1. Piezas de repuesto o mano de obra si este electrodoméstico principal se usa de un modo diferente al doméstico normal de una familia, o cuando se use de un modo contrario a las instrucciones publicadas para el usuario u operador y/o las instrucciones de instalación.
 2. Visitas de servicio técnico para corregir la instalación de su electrodoméstico principal, para enseñarle a usar su electrodoméstico principal, para cambiar o reparar fusibles domésticos o para corregir la instalación eléctrica o de la tubería de la casa.
 3. Visitas de servicio técnico para reparar o reemplazar focos para electrodomésticos, filtros de aire o filtros de agua. Las piezas de consumo están excluidas de la cobertura de la garantía.
 4. Daños causados por accidente, alteración, uso indebido, abuso, incendio, inundación, actos fortuitos, instalación incorrecta, instalación que no esté de acuerdo con los códigos eléctricos o de plomería, o el empleo de productos no aprobados por Maytag.
 5. Daños estéticos, incluyendo rayaduras, abolladuras, desportilladuras u otro daño al acabado de su electrodoméstico principal, a menos que el mismo sea debido a defectos en los materiales o la mano de obra y se le informe a Maytag en un lapso de 30 días a partir de la fecha de compra.
 6. Cualquier pérdida de comida o medicamentos debido a fallas del refrigerador o del congelador.
 7. Recogida y entrega. Este electrodoméstico principal se ha destinado para ser reparado en el hogar.
 8. Reparaciones de piezas o sistemas como resultado de modificaciones no autorizadas que se hayan efectuado en el electrodoméstico.
 9. Gastos de viaje y transporte para obtener servicio para el producto, si su electrodoméstico principal está ubicado en un lugar remoto en el cual no haya disponible un técnico de servicio autorizado por Maytag.
 10. La remoción y reinstalación de su electrodoméstico principal, si estuviera instalado en un lugar inaccesible o si no estuviera instalado de conformidad con las instrucciones de instalación publicadas por Maytag.
 11. Piezas de repuesto o mano de obra en electrodomésticos principales con números de modelo/serie originales que se hayan removido, alterado o que no puedan ser identificados con facilidad.
 12. Decoloración, herrumbre u oxidación de las superficies de acero inoxidable.
-

EXCLUSIÓN DE GARANTÍAS IMPLÍCITAS

LAS GARANTÍAS IMPLÍCITAS, INCLUYENDO CUALQUIER GARANTÍA IMPLÍCITA DE COMERCIABILIDAD O GARANTÍA IMPLÍCITA DE CAPACIDAD PARA UN PROPÓSITO PARTICULAR, SERÁN LIMITADAS A UN AÑO O AL PERÍODO MÁS CORTO PERMITIDO POR LEY. Algunos estados y provincias no permiten la limitación de la duración de garantías implícitas de comerciabilidad o aptitud, de modo que la limitación arriba indicada quizás no le corresponda. Esta garantía le otorga derechos legales específicos, y es posible que usted tenga también otros derechos que varían de un estado a otro o de una provincia a otra.

LIMITACIÓN DE RECURSOS; EXCLUSIÓN DE DAÑOS INCIDENTALES O CONSECUENTES

SU ÚNICO Y EXCLUSIVO RECURSO SEGÚN LOS TÉRMINOS DE ESTA GARANTÍA LIMITADA SERÁ EL DE REPARAR EL PRODUCTO SEGÚN SE ESTIPULA EN LA PRESENTE. MAYTAG NO SE RESPONSABILIZARÁ POR DAÑOS INCIDENTALES O CONSECUENTES. Algunos estados y provincias no permiten la exclusión o limitación de daños incidentales o consecuentes, de modo que estas limitaciones y exclusiones quizás no le correspondan. Esta garantía le otorga derechos legales específicos, y es posible que usted tenga también otros derechos que varían de un estado a otro o de una provincia a otra.

Si usted se encuentra fuera de los cincuenta Estados Unidos y Canadá, póngase en contacto con su distribuidor autorizado de Maytag para determinar si corresponde otra garantía.

5/10

Para obtener información adicional acerca de su producto, en EE.UU. visite **www.maytag.com**
En Canadá, visite **www.maytag.ca**

Si usted no tiene acceso a internet y necesita ayuda para usar su producto, o si quisiera hacer una cita para obtener servicio, puede ponerse en contacto con Maytag, en el número que se indica a continuación.

Tenga listo su número de modelo completo. Puede encontrar el número de modelo y de serie en la etiqueta ubicada en la pared interior del compartimiento del refrigerador.

Si necesita ayuda o servicio técnico, en EE.UU., llame al 1-800-688-9900. En Canadá, llame al 1-800-807-6777.

Si necesita asistencia adicional, puede escribir a Maytag con sus preguntas o dudas a la dirección que aparece a continuación:

En los EE.UU.:

Maytag Brand Home Appliances
Customer eXperience Center
553 Benson Road
Benton Harbor, MI 49022-2692

En Canadá:

Maytag Brand Home Appliances
Customer eXperience Centre
200 – 6750 Century Ave.
Mississauga, Ontario L5N 0B7

Por favor incluya en su correspondencia un número de teléfono en el que se le pueda localizar durante el día.

Sírvase guardar estas Instrucciones para el usuario y la información con el número de modelo, para referencia futura.



INSTRUCTIONS D'UTILISATION DU RÉFRIGÉRATEUR

Nous vous REMERCIONS d'avoir acheté ce produit de haute qualité. Si vous rencontrez un problème non mentionné dans la section DÉPANNAGE, veuillez visiter notre site Web www.maytag.com pour des informations supplémentaires. Si vous avez toujours besoin d'assistance, veuillez nous téléphoner au 1-800-688-9900. Au Canada, visitez notre site Web www.maytag.ca ou téléphonez-nous au 1-800-807-6777.

Vous aurez besoin de vos numéros de modèle et de série situés sur la paroi interne du compartiment de réfrigération.

SÉCURITÉ DU RÉFRIGÉRATEUR

Votre sécurité et celle des autres est très importante.

Nous donnons de nombreux messages de sécurité importants dans ce manuel et sur votre appareil ménager. Assurez-vous de toujours lire tous les messages de sécurité et de vous y conformer.



Voici le symbole d'alerte de sécurité.

Ce symbole d'alerte de sécurité vous signale les dangers potentiels de décès et de blessures graves à vous et à d'autres.

Tous les messages de sécurité suivront le symbole d'alerte de sécurité et le mot "DANGER" ou "AVERTISSEMENT". Ces mots signifient :

⚠ DANGER

Risque possible de décès ou de blessure grave si vous ne suivez pas immédiatement les instructions.

⚠ AVERTISSEMENT

Risque possible de décès ou de blessure grave si vous ne suivez pas les instructions.

Tous les messages de sécurité vous diront quel est le danger potentiel et vous disent comment réduire le risque de blessure et ce qui peut se produire en cas de non-respect des instructions.

IMPORTANTES INSTRUCTIONS DE SÉCURITÉ

AVERTISSEMENT : Pour réduire les risques d'incendie, de choc électrique ou des blessures lors de l'utilisation du réfrigérateur, prendre quelques précautions fondamentales, y compris les suivantes :

- Brancher l'appareil sur une prise à 3 alvéoles reliée à la terre.
- Ne pas enlever la broche de liaison à la terre.
- Ne pas utiliser un adaptateur.
- Ne pas utiliser un câble de rallonge.
- Débrancher la source de courant électrique avant l'entretien.
- Remplacer pièces et panneaux avant de faire la remise en marche.
- Enlever les portes de votre vieux réfrigérateur.
- Utiliser un produit de nettoyage ininflammable.
- Garder les matériaux et les vapeurs inflammables, telle que l'essence, loin du réfrigérateur.
- Utiliser deux ou plus de personnes pour déplacer et installer le réfrigérateur.
- Débrancher le réfrigérateur avant l'installation de la machine à glaçons (seulement pour modèles prêts à recevoir une machine à glaçons).
- Utiliser un verre robuste pour prendre des glaçons (sur certains modèles).
- Ne pas heurter les portes en verre du réfrigérateur (sur certains modèles).

CONSERVEZ CES INSTRUCTIONS

Mise au rebut de votre vieux réfrigérateur

⚠ AVERTISSEMENT

Risque de suffoquer

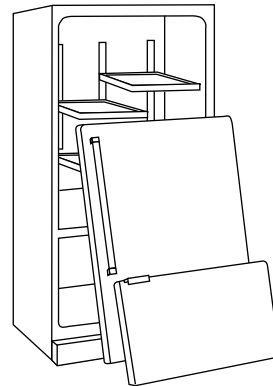
Enlever les portes de votre vieux réfrigérateur.

Le non-respect de cette instruction peut causer un décès ou des lésions cérébrales.

IMPORTANT : L'emprisonnement et l'étouffement des enfants ne sont pas un problème du passé. Les réfrigérateurs jetés ou abandonnés sont encore dangereux, même s'ils sont laissés abandonnés pendant "quelques jours seulement". Si vous vous débarrassez de votre vieux réfrigérateur, veuillez suivre les instructions suivantes pour aider à éviter les accidents.

Avant de jeter votre vieux réfrigérateur ou congélateur :

- Enlever les portes.
- Laisser les tablettes en place de sorte que les enfants ne puissent pas y pénétrer facilement.



INSTRUCTIONS D'INSTALLATION

Déballage du réfrigérateur

⚠ AVERTISSEMENT

Risque du poids excessif

Utiliser deux ou plus de personnes pour déplacer et installer le réfrigérateur.

Le non-respect de cette instruction peut causer une blessure au dos ou d'autre blessure.

Importants renseignements à savoir au sujet des tablettes et des couvercles en verre :

Ne pas nettoyer les tablettes ou couvercles en verre avec de l'eau tiède quand ils sont froids. Les tablettes et les couvercles peuvent se briser s'ils sont exposés à des changements soudains de température ou à un impact tel que coup brusque. Le verre trempé est conçu pour éclater en d'innombrables pièces minuscules. Ceci est normal. Les tablettes et les couvercles en verre sont lourds. Les saisir à deux mains lors de leur dépose afin d'éviter de les faire tomber.

Enlèvement des matériaux d'emballage

- Enlever tout résidu de ruban adhésif et de colle des surfaces du réfrigérateur avant de le mettre en marche. Frotter une petite quantité de savon liquide pour la vaisselle sur l'adhésif avec les doigts. Rincer à l'eau tiède et essuyer.
- Ne pas utiliser d'instruments coupants, d'alcool à friction, de liquides inflammables ou de nettoyants abrasifs pour enlever le ruban adhésif ou la colle. Ces produits peuvent endommager la surface de votre réfrigérateur. Pour plus de renseignements, voir "Sécurité du réfrigérateur".
- Jeter ou recycler tous les matériaux d'emballage.

Déplacement de votre réfrigérateur :

Votre réfrigérateur est lourd. Lors du déplacement de votre réfrigérateur pour le nettoyage ou un entretien ou réparation, veiller à recouvrir le plancher avec du carton ou un panneau de fibres dures pour éviter qu'il ne subisse tout dommage. Toujours tirer le réfrigérateur tout droit lors de son déplacement. Ne pas incliner le réfrigérateur d'un côté ou de l'autre ni le "faire marcher" en essayant de le déplacer car le plancher pourrait être endommagé.

Nettoyage avant l'utilisation

Après avoir enlevé tous les matériaux d'emballage, nettoyer l'intérieur du réfrigérateur avant de l'utiliser. Voir les instructions de nettoyage dans "Entretien du réfrigérateur".

Exigences d'emplacement

⚠ AVERTISSEMENT



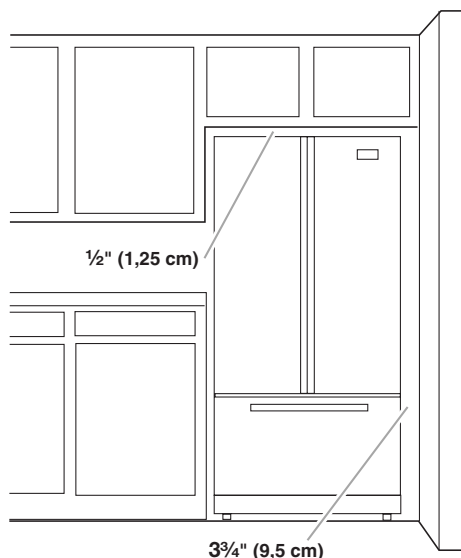
Risque d'explosion

Garder les matériaux et les vapeurs inflammables, telle que l'essence, loin du réfrigérateur.

Le non-respect de cette instruction peut causer un décès, une explosion ou un incendie.

Pour assurer une ventilation convenable à votre réfrigérateur, laisser un espace de 1/2" (1,25 cm) au-dessus et de chaque côté du réfrigérateur. Laisser un espace de 1" (2,54 cm) derrière le réfrigérateur. Si votre réfrigérateur comporte une machine à glaçons, s'assurer qu'un espace additionnel est prévu à l'arrière pour permettre les connexions des conduits d'eau. En cas d'installation du réfrigérateur près d'un mur fixe, laisser un minimum de 3/4" (9,5 cm) entre le réfrigérateur et le mur pour permettre l'ouverture de la porte.

REMARQUE : Il est recommandé de ne pas installer le réfrigérateur près d'un four, d'un radiateur ou de toute autre source de chaleur. Ne pas installer le réfrigérateur dans un endroit où la température baissera au-dessous de 55°F (13°C).



Spécifications électriques

⚠ AVERTISSEMENT



Risque de choc électrique

- Brancher sur une prise à 3 alvéoles reliée à la terre.**
- Ne pas enlever la broche de liaison à la terre.**
- Ne pas utiliser un adaptateur.**
- Ne pas utiliser un câble de rallonge.**
- Le non-respect de ces instructions peut causer un décès, un incendie ou un choc électrique.**

Avant de placer le réfrigérateur à son emplacement final, il est important de vous assurer d'avoir la connexion électrique appropriée.

Méthode recommandée de mise à la terre

Une source d'alimentation de 115 volts, 60 Hz, type 15 ou 20 ampères CA seulement, protégée par fusibles et adéquatement mise à la terre est nécessaire. Il est recommandé d'utiliser un circuit distinct pour alimenter uniquement votre réfrigérateur. Utiliser une prise murale qui ne peut pas être mise hors circuit à l'aide d'un commutateur. Ne pas utiliser de câble de rallonge.

REMARQUE : Avant d'exécuter tout type d'installation, nettoyage ou remplacement d'une ampoule d'éclairage, désactiver le refroidissement (mettre la commande Cooling (refroidissement) en position OFF [arrêt]), et déconnecter ensuite le réfrigérateur de la source d'alimentation électrique. Lorsque vous avez terminé, reconnecter le réfrigérateur à la source d'alimentation électrique et réactiver le refroidissement (mettre la commande Cooling en position ON [marche]). Voir "Utilisation des commandes".

Spécifications de l'alimentation en eau

Rassembler les outils et pièces nécessaires avant de commencer l'installation. Lire et suivre les instructions fournies avec les outils indiqués ici.

OUTILLAGE REQUIS :

- Tournevis à lame plate
- Clés plates de 7/16" et 1/2" ou deux clés à molette réglables
- Tourne-écrou de 1/4"
- Foret de 1/4"
- Perceuse sans fil

IMPORTANT :

- Toutes les installations doivent être conformes aux exigences des codes locaux de plomberie.
- Ne pas employer de robinet d'arrêt à étrier de 3/16" (4,76 mm) ou de type à percer, ce qui réduit le débit d'eau et cause une obstruction plus facilement.
- Utiliser un tube en cuivre et vérifier l'absence de fuites. Installer les tubes en cuivre seulement à des endroits où la température se maintient au-dessus du point de congélation.
- Pour les modèles avec filtre à eau, le filtre à eau jetable devrait être remplacé au moins tous les 6 mois.

Pression de l'eau

Une alimentation en eau froide avec une pression entre 35 et 120 lb/po² (241 et 827 kPa) est nécessaire pour faire fonctionner le distributeur d'eau et la machine à glaçons. Si vous avez des questions au sujet de la pression de votre eau, appeler un plombier qualifié agréé.

Alimentation en eau par osmose inverse

IMPORTANT : La pression de l'alimentation en eau entre le système d'osmose inverse et la valve d'arrivée d'eau du réfrigérateur doit être entre 35 et 120 lb/po² (241 et 827 kPa).

Si un système de purification de l'eau par osmose inverse est raccordé à votre alimentation en eau froide, la pression de l'eau au système doit être d'un minimum de 40 à 60 lb/po² (276 à 414 kPa).

Si la pression de l'eau au système d'osmose inverse est inférieure à 40 à 60 lb/po² (276 à 414 kPa) :

- Vérifier pour voir si le filtre à sédiment du système d'osmose inverse est bloqué et le remplacer si nécessaire.
- Laisser le réservoir du système d'osmose inverse se remplir après une utilisation intense.
- Si votre réfrigérateur a un filtre à eau, celui-ci peut réduire encore plus la pression de l'eau lorsqu'il est utilisé avec un système d'osmose inverse. Retirer le filtre à eau. Voir "Système de filtration de l'eau".

Si vous avez des questions au sujet de la pression de votre eau, appelez un plombier qualifié agréé.

Raccordement de la canalisation d'eau

Lire toutes les instructions avant de commencer.

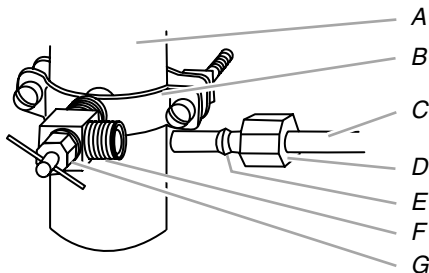
IMPORTANT : Si on doit utiliser le réfrigérateur avant qu'il soit raccordé à la canalisation d'eau, placer la commande de la machine à glaçons à la position OFF (arrêt).

Raccordement à une canalisation d'eau

1. Débrancher le réfrigérateur ou déconnecter la source de courant électrique.
2. FERMER le robinet principal d'arrivée d'eau. OUVRIR le robinet de puisage le plus proche pendant une période suffisante pour que la canalisation d'eau se vide.
3. Trouver une canalisation d'eau froide verticale de ½" à 1¼" (12,7 mm à 31,8 mm) près du réfrigérateur.

IMPORTANT :

- Assurez-vous qu'il s'agit d'un conduit d'eau froide.
 - Un conduit horizontal fonctionnera, mais le procédé suivant doit être suivi : percer par le dessus de la canalisation et non pas par le dessous. Ainsi, l'eau ne risquera pas d'arroser la perceuse. Ceci empêche également les sédiments qu'on trouve normalement dans l'eau de s'accumuler dans le robinet.
4. Pour déterminer la longueur du tube en cuivre, il faut mesurer la distance séparant le point de connexion situé à l'arrière du réfrigérateur et la canalisation d'eau. Ajouter une longueur de 7 pi (2,1 m) pour permettre le déplacement du réfrigérateur pour le nettoyage. Utiliser un tube en cuivre de ¼" (6,35 mm) de diamètre extérieur. Veiller à ce que le tube soit coupé d'équerre aux deux extrémités.
 5. À l'aide d'une perceuse sans fil, percer un trou de ¼" dans le tuyau de canalisation d'eau froide choisi.



A. Canalisation d'eau froide
B. Bride de tuyau
C. Tube en cuivre
D. Écrou de compression
E. Bague de compression
F. Robinet d'arrêt
G. Écrou de serrage

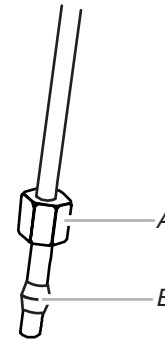
6. Fixer le robinet d'arrêt sur la canalisation d'eau froide avec la bride de tuyau. Vérifier que le raccord de sortie du robinet est bien engagé dans le trou de ¼" percé dans la canalisation et que la rondelle d'étanchéité est placée sous la bride de tuyau. Serrer l'écrou de serrage. Serrer lentement et uniformément les vis de la bride de tuyau afin que la rondelle forme une jonction étanche. Ne pas serrer excessivement.
7. Enfiler l'écrou et la bague de compression du raccord sur le tube en cuivre comme on le voit sur l'illustration. Insérer l'extrémité du tube aussi loin que possible dans le raccord de sortie du robinet. Visser l'écrou de compression sur le raccord de sortie avec une clé à molette. Ne pas serrer excessivement car ceci pourrait provoquer l'écrasement du tube en cuivre.
8. Placer le bout libre du tube dans un contenant ou évier et OUVRIR le robinet principal d'arrivée d'eau. Laisser l'eau s'écouler par le tube jusqu'à ce que l'eau soit limpide. FERMER le robinet d'arrêt sur la canalisation d'eau.

Raccordement au réfrigérateur

Selon le modèle, la canalisation d'eau peut être configurée vers le haut ou vers le bas. Suivre les instructions de raccordement appropriées à votre modèle.

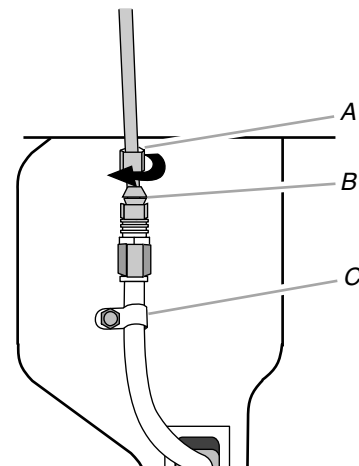
Style 1

1. Retirer le capuchon de plastique de la connexion d'alimentation en eau. Placer l'écrou en laiton et le manchon à compression sur l'extrémité du tube de cuivre. Voir l'illustration.



A. Écrou en laiton
B. Manchon à compression

2. Placer l'extrémité du tube de cuivre dans le conduit d'alimentation d'eau en plastique. Faire glisser l'écrou en laiton sur le manchon et visser l'écrou sur le conduit d'alimentation.
3. À l'aide d'une clé à molette, maintenir l'écrou sur le conduit d'eau en plastique pour éviter qu'il bouge. Ensuite, à l'aide d'une deuxième clé, tourner l'écrou sur le tube de cuivre dans le sens antihoraire jusqu'au serrage complet. Ne pas serrer excessivement.
4. Vérifier la solidité des connexions en tirant sur le tube de cuivre.
5. Fixer la canalisation d'eau en plastique à la caisse du réfrigérateur à l'aide d'une bride en "P". Faire glisser le conduit d'alimentation en eau en plastique dans la patte de retenue.

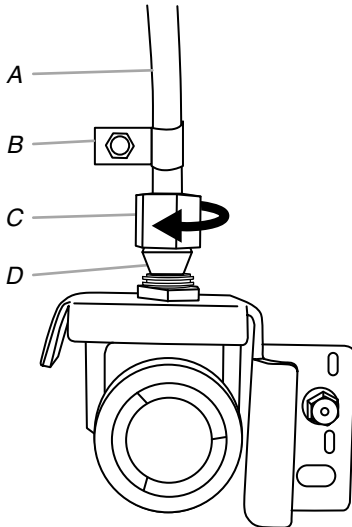


A. Écrou en laiton
B. Manchon à compression
C. Bride en "P"

6. Ouvrir l'alimentation en eau du réfrigérateur et vérifier l'absence de fuites. Veiller à éliminer toute fuite détectée.

Style 2

1. Enlever le capuchon de plastique de la valve d'entrée d'eau. Connecter le tube en cuivre au robinet d'eau en utilisant un écrou de compression et une bague de compression tel qu'illustré. Serrer l'écrou de compression. Ne pas serrer excessivement. Vérifier que le tube en cuivre est fixé solidement en tirant sur le tube en cuivre.
2. Créer une boucle de service avec le tube de cuivre. Éviter les déformations en pliant le tube de cuivre. Fixer la canalisation d'eau en plastique à la caisse du réfrigérateur à l'aide d'une bride en "P".



A. Tube en cuivre
B. Bride en "P"

C. Écrou de compression
D. Manchon à compression

3. Ouvrir l'arrivée d'eau au réfrigérateur et vérifier s'il y a des fuites. Corriger toute fuite.

Achever l'installation

⚠ AVERTISSEMENT



Risque de choc électrique

Brancher sur une prise à 3 alvéoles reliée à la terre.

Ne pas enlever la broche de liaison à la terre.

Ne pas utiliser un adaptateur.

Ne pas utiliser un câble de rallonge.

Le non-respect de ces instructions peut causer un décès, un incendie ou un choc électrique.

1. Brancher le réfrigérateur sur une prise à 3 alvéoles reliée à la terre.
2. Purger le circuit d'eau. Voir "Distributeurs d'eau et de glaçons".

Portes et tiroir du réfrigérateur

Toutes les illustrations des instructions suivantes sont incluses plus loin dans cette section, après "Étapes finales".

Dépose et réinstallation des poignées

Dépose des poignées :

1. Maintenir fermement la partie inférieure de la poignée, glisser la poignée vers le haut et la tirer droit pour l'extraire de la porte. Voir l'illustration de la poignée.

Réinstallation des poignées :

1. Positionner la poignée de façon à ce que les grands trous des attaches de fixation soient orientés vers le bas et aligner les trous avec les pitons de porte.
2. Faire pivoter la poignée de façon à ce que les attaches de fixation soient plaquées contre la porte et glisser la poignée vers le bas pour l'engager. Voir l'illustration de la poignée.

Dépose des portes et des charnières

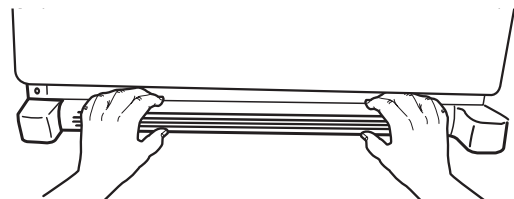
IMPORTANT :

- Retirer les aliments et tout balconnet réglable ou compartiment utilitaire de la porte du réfrigérateur.
- Laisser les portes du réfrigérateur fermées jusqu'à ce vous soyez prêt à les soulever pour les dégager de la caisse.

REMARQUE : Prévoir un support additionnel des portes pendant le retrait des charnières. La force d'attraction des aimants des portes ne suffit pas à les maintenir en place.

OUTILLAGE REQUIS : Clés à douille à tête hexagonale de $\frac{5}{16}$ ", $\frac{3}{8}$ " et $\frac{1}{4}$ ", tournevis Torx^{®†} T20, tournevis Phillips n° 2 et tournevis à lame plate.

1. Débrancher le réfrigérateur ou déconnecter la source de courant électrique.
2. Retirer la grille de la base. Maintenir la grille fermement et la tirer vers soi.



3. En commençant par la porte du côté droit, ôter les pièces de la charnière supérieure – voir l'illustration de la charnière supérieure. Soulever la porte du réfrigérateur de l'axe de la charnière inférieure.
4. Enlever le cache de la charnière supérieure du côté gauche de la porte du réfrigérateur.

†®TORX est une marque déposée de Textron Innovations Inc.

5. Déconnecter la fiche de branchement située sur la partie supérieure de la charnière en coinçant un tournevis à lame plate ou votre ongle entre les deux sections. Voir l'illustration "Raccordements".
6. Déconnecter la conduite d'eau en retirant la bague de blocage tout en tirant la conduite d'eau hors de la prise de conduite d'eau. Voir l'illustration "Raccordements".
7. Enlever les pièces de la charnière supérieure - voir l'illustration de la charnière supérieure. Soulever la porte du côté gauche de l'axe de la charnière inférieure.
8. À l'aide d'une clé à tête hexagonale de 3/8", retirer les brides des pieds de nivellement du bas de la caisse. Conserver les vis pour utilisation ultérieure.

Réinstallation des portes et des charnières

1. Assembler les pièces de la charnière supérieure. Voir l'illustration de la charnière supérieure. Ne pas complètement serrer les vis.
2. Replacer les pièces de la charnière inférieure. Voir l'illustration de la charnière inférieure. Resserrer les vis. Replacer la porte du réfrigérateur.
REMARQUE : Prévoir un support supplémentaire pour la porte du réfrigérateur pendant le déplacement des charnières. La force d'attraction des aimants des portes ne suffit pas à les maintenir en place.
3. Aligner correctement le bas de la porte du réfrigérateur avec le sommet du tiroir du congélateur. Serrer toutes les vis.
4. Reconnecter la fiche de branchement sur la partie supérieure de la porte du côté gauche du réfrigérateur.
5. Reconnecter la conduite d'eau en retirant la bague de blocage tout en poussant fermement la conduite d'eau dans la prise.
6. Inspecter pour rechercher des fuites. Réinstaller les caches de la charnière supérieure.

Retirer et réinstaller le tiroir du réfrigérateur et le tiroir du congélateur

IMPORTANT : Deux personnes peuvent être nécessaires pour retirer et réinstaller le tiroir de congélation. Les illustrations sont incluses plus loin dans cette section.

Dépose de la façade du tiroir

1. Ouvrir le tiroir de congélation complètement.
2. Desserrer les deux vis supérieures fixant les glissières du tiroir à la façade du tiroir. Voir l'illustration de dépose de la façade du tiroir.
REMARQUE : Desserrer les vis en appliquant trois à quatre tours. Laisser les vis sur la façade du tiroir.
3. Retirer les deux vis inférieures maintenant les fixations de glissière de tiroir à la façade du tiroir.
4. Soulever la façade du tiroir vers le haut et hors des vis. Voir l'illustration de dépose de la façade du tiroir.

Réinstallation de la façade du tiroir

1. Tirer les glissières du tiroir hors du compartiment de congélation. Insérer les deux vis au sommet de la façade du tiroir dans les trous situés sur les brides du tiroir. Voir l'illustration de réinstallation de la façade du tiroir.
2. Aligner les fixations de glissière de tiroir avec les trous inférieurs dans la façade du tiroir et resserrer les vis. Voir l'illustration de réinstallation de la façade du tiroir.
3. Serrer complètement les quatre vis.

Étapes finales

1. Réinstaller la grille de la base.

⚠ AVERTISSEMENT



Risque de choc électrique

Brancher sur une prise à 3 alvéoles reliée à la terre.

Ne pas enlever la broche de liaison à la terre.

Ne pas utiliser un adaptateur.

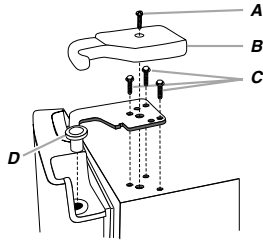
Ne pas utiliser un câble de rallonge.

Le non-respect de ces instructions peut causer un décès, un incendie ou un choc électrique.

2. Brancher sur une prise à 3 alvéoles reliée à la terre.
3. Réinstaller toutes les pièces amovibles dans les portes et les tiroirs; ranger les aliments dans le réfrigérateur et le congélateur.

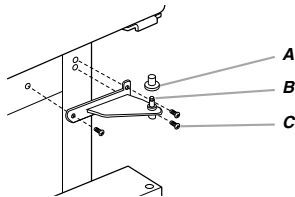
Démontage et réinstallation de la porte

Charnière supérieure



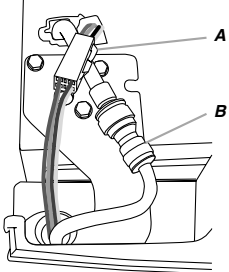
- A. Vis du couvre- charnière
- B. Couvercle de charnière supérieure
- C. Vis de charnière à tête hexagonale $\frac{5}{16}$ "
- D. Charnière supérieure

Charnière inférieure

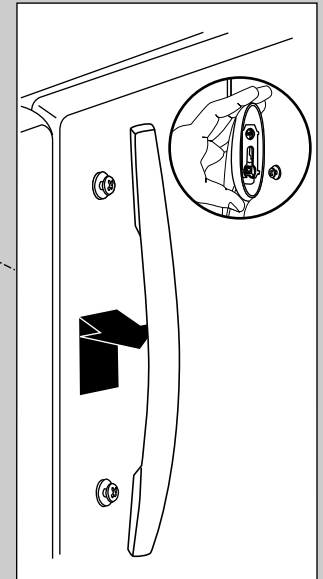
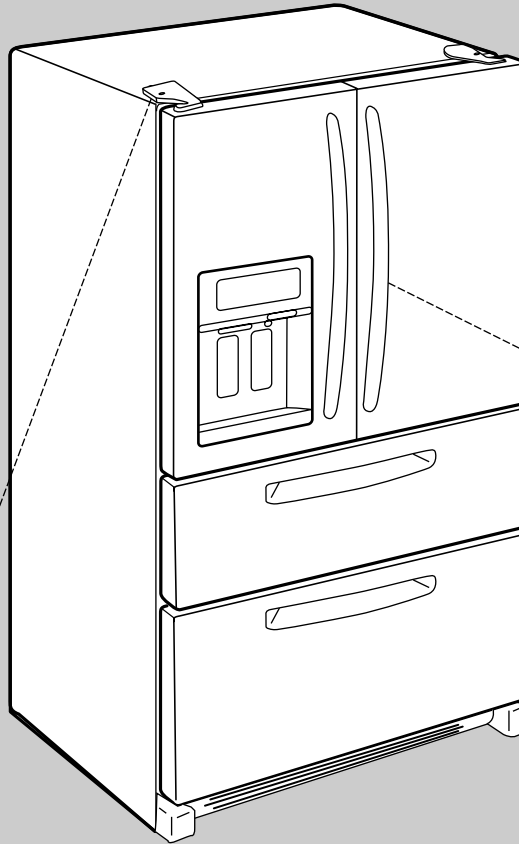


- A. Couvre- tige d'articulation
- B. Charnière inférieure
- C. Vis de charnière

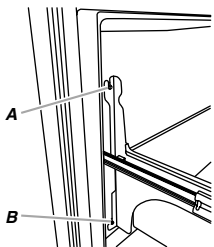
Raccordements



- A. Prise de raccordement
- B. Raccordement de conduite d'eau

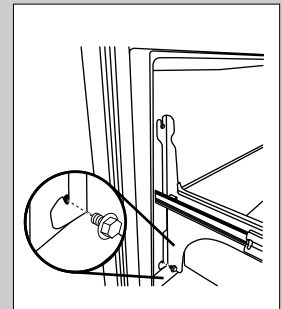
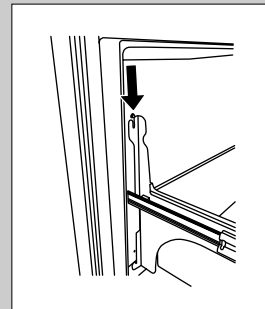
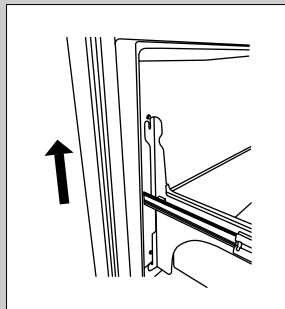


Dépose de la façade du tiroir



- A. Déserrer les 2 vis de fixation de la glissière de tiroir
- B. Retirer les 2 vis de fixation de la glissière de tiroir

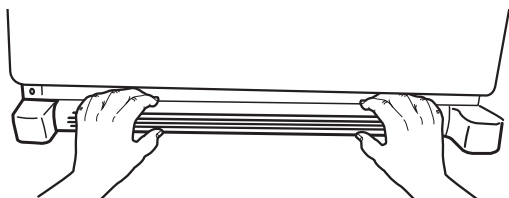
Réinstallation de la façade du tiroir



Ajustement des portes

IMPORTANT:

- Votre réfrigérateur a deux vis de nivellement réglables à l'avant - une de chaque côté de la base du réfrigérateur. Si votre réfrigérateur semble instable ou si vous désirez que les portes se ferment plus facilement, faire le réglage de l'inclinaison du réfrigérateur en suivant les instructions ci-dessous.
 - Avant de déplacer le réfrigérateur, soulever les vis pour que les roulettes avant touchent le sol.
1. Retirer la grille de la base. Tenir la grille fermement et tirer vers soi.

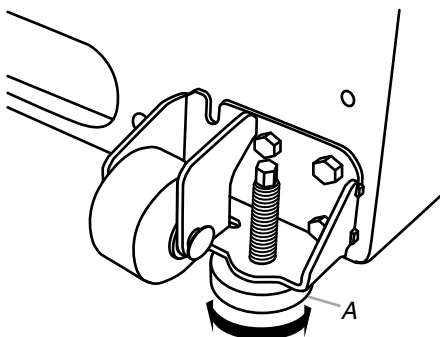


2. Soulever ou abaisser la caisse.

À l'aide d'un tournevis à tête hexagonale de 1/4", tourner la vis de réglage de l'aplomb pour soulever ou abaisser chaque côté du réfrigérateur.

REMARQUE : Si une autre personne pousse le haut du réfrigérateur, le poids devient moins lourd sur les vis de réglage de l'aplomb, ce qui rend plus facile l'ajustement des vis. Il peut être nécessaire de tourner la vis de réglage de l'aplomb de plusieurs tours pour ajuster l'inclinaison du réfrigérateur.

- Pour soulever, tourner la vis de réglage de l'aplomb dans le sens horaire.
- Pour abaisser, tourner la vis de réglage de l'aplomb dans le sens antihoraire.



A. Vis de réglage de l'aplomb

3. Ouvrir de nouveau la porte et s'assurer qu'elle ferme aussi facilement que vous le souhaitez. Sinon, incliner légèrement le réfrigérateur vers l'arrière en tournant les deux vis de réglage de l'aplomb dans le sens horaire. Il faudra peut-être plusieurs tours et tourner les deux vis de façon égale.
4. Réinstaller la grille de la base.

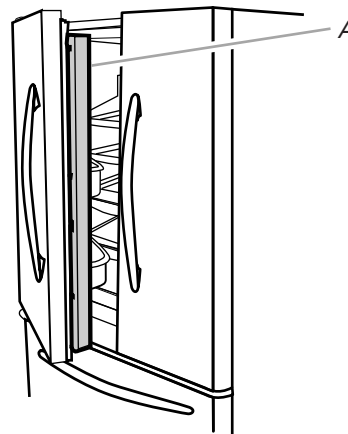
UTILISATION DU RÉFRIGÉRATEUR

Ouverture et fermeture des portes

Il y a deux portes pour le compartiment de réfrigération. Les portes peuvent être ouvertes et fermées séparément ou ensemble.

Il y a sur la porte de gauche du réfrigérateur un joint à charnière verticale.

- Lors de l'ouverture de la porte du côté gauche, le joint à charnière se replie automatiquement pour qu'il n'y ait pas d'interférence.
- Lorsque les deux portes sont fermées, le joint à charnière assure automatiquement l'étanchéité entre les deux portes.



A. Joint à charnière

Utilisation des commandes

Les commandes du réfrigérateur et du congélateur se trouvent sur le tableau de distribution et sur l'écran d'affichage.



Écran d'affichage

Choix de la langue

La langue du texte apparaissant sur l'écran d'affichage peut être réglée en anglais, en espagnol ou en français.

- Pour faire passer le texte de l'écran d'affichage de l'anglais à l'espagnol ou au français, appuyer sur le bouton HOME (accueil) du tableau de distribution. Sur l'écran d'affichage, appuyer sur OPTIONS, puis PREFERENCIAS, et enfin LANGUAGE. Sélectionner ESPAÑOL (espagnol) ou FRANÇAIS, attendre 15 secondes ou appuyer sur BACK (retour), et le texte de l'écran sera modifié.
- Pour faire passer le texte de l'écran d'affichage de l'espagnol au français, appuyer sur le bouton HOME (accueil) du tableau de distribution. Sur l'écran d'affichage, appuyer sur OPCIONES, puis PREFERENCIAS, et enfin IDIOMA. Sélectionner FRANCÉS, attendre 15 secondes ou appuyer sur ATRÁS, et le texte de l'écran sera modifié.

- Pour faire passer le texte de l'écran d'affichage du français à l'anglais, appuyer sur le bouton HOME (accueil) du tableau de distribution. Sur l'écran d'affichage, appuyer sur OPTIONS, puis PRÉFÉRENCES, et enfin LANGUE. Sélectionner ANGLAIS, attendre 15 secondes ou appuyer sur RETOUR, et le texte de l'écran sera modifié.

Commandes de température

Pour votre confort, les commandes du réfrigérateur et du congélateur sont pré-réglées à l'usine.

Pour visualiser les points de réglage, appuyer sur la touche TEMP (température) sur le tableau du distributeur. Les points de réglage recommandés par l'usine sont 0°F (-18°C) pour le congélateur et 38°F (3°C) pour le réfrigérateur.

IMPORTANT :

- Attendre 24 heures avant d'ajouter des aliments dans le réfrigérateur. Si on ajoute des aliments alors que le réfrigérateur n'a pas complètement refroidi, les aliments risquent de s'abîmer.
REMARQUE : Ajuster la commande sur un réglage plus élevé (plus froid) que celui qui est recommandé ne refroidira pas les compartiments plus rapidement.
- Les réglages pré-réglés devraient être corrects pour l'utilisation domestique normale. Les réglages sont faits correctement lorsque le lait ou le jus sont aussi froids que vous l'aimez et lorsque la crème glacée est ferme.
- Attendre au moins 24 heures entre les ajustements. Vérifier de nouveau les températures avant de procéder à d'autres ajustements.
- L'écran d'affichage sur le tableau de commande de distribution est équipé d'un panneau lumineux qui s'éteint automatiquement lorsque les commandes n'ont pas été utilisées pendant 2 minutes ou plus. Lorsque le panneau lumineux est éteint, celui-ci peut-être réactivé par une simple pression sur n'importe quel bouton ou en touchant l'écran d'affichage. Les réglages ne seront pas modifiés. Si l'on appuie de nouveau sur un bouton ou que l'on touche à nouveau l'écran d'affichage dans les 2 minutes qui suivent la réactivation du panneau lumineux, les réglages seront modifiés.

Ajustement des commandes

Pour ajuster les points de réglage, appuyer sur le bouton TEMP (température) sur le tableau de distribution. Les points de réglage et les informations d'ajustement apparaîtront sur l'écran d'affichage.

Commandes du réfrigérateur

S'assurer que RÉFRIGÉRATEUR est sélectionné. Les flèches vers le haut ou vers le bas sur l'écran d'affichage permettent d'ajuster la température du compartiment de réfrigération. La gamme de valeurs de réglage pour le réfrigérateur va de 33°F à 45°F (0°C à 7°C).

- Appuyer sur la flèche vers le bas pour abaisser le point de réglage.
- Appuyer sur la flèche vers le haut pour augmenter le point de réglage.

REMARQUE : Pour voir les températures Celsius, appuyer sur UNITÉS. Pour ramener le réglage de l'affichage en degrés Fahrenheit, appuyer de nouveau sur UNITÉS.

Commandes du congélateur

S'assurer que CONGÉLATEUR est sélectionné. Les flèches vers le haut ou vers le bas sur l'écran d'affichage permettent d'ajuster la température du compartiment de congélation. La gamme de valeurs de réglage pour le congélateur va de -5°F à 5°F (-21°C à -15°C).

- Appuyer sur la flèche vers le bas pour abaisser le point de réglage.
- Appuyer sur la flèche vers le haut pour augmenter le point de réglage.

REMARQUE : Pour voir les températures Celsius, appuyer sur UNITÉS. Pour ramener le réglage de l'affichage en degrés Fahrenheit, appuyer de nouveau sur UNITÉS.

CONDITION :	AJUSTEMENT DE LA TEMPÉRATURE :
RÉFRIGÉRATEUR trop froid	Réglage du RÉFRIGÉRATEUR 1° plus haut
RÉFRIGÉRATEUR trop tiède	Réglage du RÉFRIGÉRATEUR 1° plus bas
CONGÉLATEUR trop froid	Réglage du CONGÉLATEUR 1° plus haut
CONGÉLATEUR trop tiède/ trop peu de glaçons	Réglage du CONGÉLATEUR 1° plus bas

- Appuyer sur RETOUR pour quitter le mode de réglage.

Refroidissement marche/arrêt

Pour éteindre le refroidissement, appuyer pendant 3 secondes sur le bouton TEMP (température) situé sur le tableau de distribution. Ni le réfrigérateur ni le congélateur ne refroidiront lorsque le refroidissement est désactivé.

Pour réactiver le refroidissement, appuyer de nouveau sur le bouton TEMP (température) pendant 3 secondes.

Alarme de porte entrouverte

La caractéristique d'alarme de porte entrouverte fait retentir un signal d'alarme lorsque la porte ou le tiroir du réfrigérateur est ouvert, ou lorsque le tiroir du congélateur est ouvert pendant 5 minutes et que le système de refroidissement est actif. L'alarme retentira toutes les 2 minutes.

- Fermer toutes les portes et tous les tiroirs pour désactiver l'alarme. L'alarme se réinitialise et retentit à nouveau ensuite si on laisse une porte ou un tiroir ouvert pendant 5 minutes.
- Si l'on doit maintenir les portes ou les tiroirs ouverts et que l'on souhaite que l'alarme reste muette pendant un maximum de 5 minutes, appuyer sur RAPPEL D'ALARME sur l'écran d'affichage.
- Si l'on doit maintenir les portes ouvertes et que l'on souhaite que l'alarme reste muette pendant plus longtemps que 5 minutes, appuyer sur RÉINITIALISATION sur l'écran d'affichage. L'alarme reste désactivée jusqu'à ce que toutes les portes et les tiroirs soient fermés. L'alarme se réinitialise et retentit à nouveau ensuite si on laisse une porte ou un tiroir ouvert pendant 5 minutes.

Indicateur de panne de courant (sur certains modèles)

L'indicateur de panne de courant vous indique si l'alimentation électrique du réfrigérateur est interrompue pendant plus d'une heure.

Lorsque l'alimentation électrique est rétablie, un icône de coupure de courant apparaît sur l'écran d'affichage. L'affichage indique combien de temps le réfrigérateur est resté sans alimentation électrique, en utilisant des durées précises si l'horloge a été réglée.

Lorsque l'indicateur est allumé, toutes les autres fonctions du distributeur sont désactivées. Pour utiliser le distributeur, il est nécessaire de réinitialiser l'indicateur de panne de courant.

- Appuyer sur RÉINITIALISATION sur l'écran d'affichage, puis sur OUI pour confirmer la réinitialisation du témoin.

À partir de l'écran d'accueil, il est possible de voir l'historique de coupure de courant pour le réfrigérateur. Appuyer sur OPTIONS, puis sur COUPURE DE COURANT.

Caractéristiques

Informations nutritionnelles

Offres des informations nutritionnelles, y compris sur la taille des portions et la valeur calorique pour les groupes d'aliments communs tels que les produits laitiers, les fruits, les céréales, la viande, le poisson, les légumes et autres aliments communs.

Conseils rapides

Offre des informations détaillées sur les caractéristiques internes et externes du réfrigérateur.

Glaçons

La machine à glaçons peut produire à la fois de la glace concassée et des glaçons. Avant de commencer la distribution de glace, appuyer sur GLACE sur l'écran d'affichage pour sélectionner le type de glace que l'on souhaite distribuer. L'écran d'affichage indique le type de glace sélectionné. Voir "Distributeurs d'eau et de glaçons".

Léger

Si l'on souhaite que la lumière soit constamment allumée, appuyer sur ÉCLAIRAGE sur l'écran d'affichage pour commuter entre les réglages ON et OFF. L'écran d'affichage indique le mode sélectionné.

MARCHE: La lumière du distributeur reste activée avec une luminosité constante.

ARRÊT : La lumière du distributeur reste éteinte, sauf lors de la distribution d'eau ou de glace.

REMARQUE : Les lampes du distributeur sont des DEL qui ne peuvent pas être remplacées. Si les lumières du distributeur ne semblent pas fonctionner, voir "Dépannage" pour plus d'information.

Eau

Pour sélectionner une distribution standard ou mesurée. Le remplissage mesuré permet de distribuer de l'eau en once, en tasse ou en litre. Voir "Distributeurs d'eau et de glaçons".

Options

Verrouillage

Les distributeurs peuvent être désactivés pour un nettoyage facile ou pour éviter une distribution involontaire par de jeunes enfants ou des animaux de compagnie. Voir "Distributeurs d'eau et de glaçons".

Max Cool (refroidissement rapide)

La caractéristique Max Cool (refroidissement rapide) est utile lors de périodes d'utilisation fréquente, d'ajout d'un grand nombre d'aliments ou de l'élévation temporaire de la température de la pièce.

Sur l'écran d'affichage, appuyer sur OPTIONS, puis sur REFROIDISSEMENT RAPIDE. L'écran d'affichage indique si la caractéristique est activée ou non. Appuyer sur l'icône REFROIDISSEMENT RAPIDE pour commuter entre les réglages.

Une fois activé, le réglage Max Cool (refroidissement rapide) reste activé pendant 24 heures à moins d'être désactivé manuellement. L'afficheur continuera d'afficher les points de réglage de température normaux.

REMARQUE : Le réglage du congélateur à une température plus froide peut rendre certains aliments, comme la crème glacée, plus durs.

Minuterie de la cuisine

Pour aider l'utilisateur avec les tâches traditionnelles de la cuisine, il existe aussi une caractéristique de minuterie parmi les commandes.

1. Sur l'écran d'affichage, appuyer sur OPTIONS, puis sur MINUTERIE.
2. Utiliser les flèches (vers le haut ou vers le bas) pour ajuster les heures et les minutes tel que souhaité.
3. Pour démarrer le compte à rebours, appuyer sur DÉMARRAGE. La minuterie ne démarre pas si l'on sort de l'écran de minuterie sans avoir appuyé sur DÉMARRAGE.
 - Lorsque la minuterie commence le compte à rebours, appuyer sur PAUSE pour mettre le compte à rebours en pause. Appuyer sur DÉMARRAGE pour lancer à nouveau le compte à rebours.
 - Pour réinitialiser la minuterie et la mettre à zéro, on peut appuyer sur RÉINITIALISATION à tout moment.
 - Appuyer sur MAXIMIS pour augmenter la taille du compte à rebours sur l'écran d'affichage. Lorsque le compte à rebours atteint zéro, l'affichage retourne à l'écran précédent.
4. Lorsque le compte à rebours arrive à zéro, l'horloge de la minuterie clignote et un signal sonore retentit et se répète toutes les 30 secondes. Appuyer sur le bouton RÉINITIALISATION pour désactiver le signal sonore et réinitialiser la caractéristique de minuterie.

Filtre à eau

Offre des informations relatives au statut du filtre à eau et au processus de commande pour un filtre de recharge. Une fois le filtre à eau changé, appuyer sur RÉINITIALISATION pour modifier le statut du filtre à eau. Voir "Système de filtration de l'eau".

Utilisation et entretien

Offre de l'aide, des informations et des réponses courtes à des réponses fréquemment posées.

Préférence

Permet de régler la langue de préférence. Voir "Utilisation des commandes". Permet de régler les préférences relatives aux glaçons, à l'eau et à la distribution. Voir "Distributeurs d'eau et de glaçons".

Panne de courant

Fournit un historique des coupures de courant, indiquant les dates et les heures auxquelles le courant a été interrompu. Voir "Distributeurs d'eau et de glaçons".

Machine à glaçons

Permet d'allumer ou d'éteindre la machine à glaçons. Voir "Machine à glaçons et bac d'entreposage de glaçons".

Réglages

Heure et date

- Pour modifier l'heure et la date affichées, appuyer sur OPTIONS, puis RÉGLAGES, puis HEURE ET DATE.
Pour modifier l'heure, utiliser les flèches vers le haut ou vers le bas.
Pour modifier la date, appuyer sur MODIFIER DATE, puis utiliser les flèches pour ajuster le réglage tel que désiré.

Volume sonore

- Pour régler le volume de tous les signaux sonores du distributeur et des commandes, appuyer sur **OPTIONS**, puis **RÉGLAGES**, et enfin **VOLUME**. Sélectionner le volume souhaité puis attendre 15 secondes ou appuyer sur **RETOUR**.

REMARQUE : Le fait de sélectionner **SILENCE** ne désactive pas l'alarme de porte entrouverte.

Luminosité de l'écran

- Pour régler la luminosité de l'écran d'affichage, appuyer sur **OPTIONS**, puis **RÉGLAGES**, et enfin **LUMINOSITÉ**. Sélectionner la luminosité souhaitée puis attendre 15 secondes ou appuyer sur **RETOUR**.

Rétablissement du paramétrage usine

- Pour réinitialiser tous les réglages et préférences au paramétrage usine, appuyer sur **OPTIONS**, puis **RÉGLAGES**, puis **RÉINITIALISATION USINE**. Sur l'écran suivant, appuyer sur **OUI** pour confirmer. Si l'utilisateur appuie involontairement sur **OUI** au lieu de sur **NON**, il a 3 secondes pour appuyer sur **ANNULATION** et conserver ses réglages personnalisés.

IMPORTANT : Lors du choix des réglages par défaut, toutes les préférences personnalisées seront perdues – y compris les points de réglage de température, les préférences et pré-réglages de distribution, la sélection de la langue, les réglages de volume et de luminosité ainsi que l'heure et la date.

Entretien de l'écran tactile

IMPORTANT : Ne pas utiliser d'objets pointus lorsque l'on utilise l'écran tactile. Cela pourrait endommager l'écran.

Pour des renseignements sur le nettoyage de l'écran tactile, voir "Nettoyage".

Machine à glaçons et bac d'entreposage

IMPORTANT :

- Vidanger le système d'approvisionnement en eau avant de mettre en marche la machine à glaçons. Voir "Distributeurs d'eau et de glaçons".
 - La machine à glaçons et le bac d'entreposage se trouvent dans la partie supérieure droite du compartiment de réfrigération.
-

Mise en marche/arrêt de la machine à glaçons

La machine à glaçons comporte un système d'arrêt automatique. Lorsque la machine à glaçons est en marche, les capteurs interrompent automatiquement la production de glaçons lorsque le bac à glaçons est plein. La machine à glaçons reste réglée à **MARCHE** et la production de glaçons reprend lorsque le bac n'est plus plein.

Pour éteindre la machine à glaçons manuellement, appuyer sur l'icône de machine à glaçons ou sur **OPTIONS** sur l'écran d'affichage, puis sur **MACHINE À GLAÇONS**. Sur l'écran suivant, appuyer à nouveau sur **MACHINE À GLAÇONS** pour commuter entre **MARCHE** et **ARRÊT**. Lorsque la machine à glaçons est réglée à **ARRÊT**, elle cesse de produire des glaçons.

Dépose et réinstallation du bac d'entreposage à glaçons

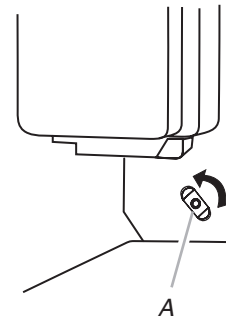
Pour retirer le bac d'entreposage à glaçons :

1. Maintenir la base du bac d'entreposage et appuyer sur le bouton de déclenchement.
2. Tirer sur le bac d'entreposage pour le retirer.

Pour réinstaller le bac d'entreposage à glaçons :

IMPORTANT : Il peut être nécessaire de tourner la vis autobloquante, derrière le bac à glaçons, dans le sens antihoraire pour aligner correctement le bac à glaçons avec la vis autobloquante. Le bac d'entreposage à glaçons doit être bloqué en place pour une distribution appropriée de glaçons.

1. Glisser le bac à glaçons dans les glissières situées de chaque côté de l'enceinte.
2. Pousser le bac à glaçons jusqu'à sentir une résistance. Soulever légèrement la façade et enfoncer le bac à glaçons jusqu'à entendre un "clic".



A. Vis autobloquante

Taux de production de glaçons

- Prévoir 24 heures pour la production du premier lot de glaçons. Jeter les trois premiers lots de glaçons produits.
- La machine à glaçons devrait produire approximativement 8 à 12 lots de glaçons au cours d'une période de 24 heures.
- Pour augmenter la production de glaçons, diminuer la température du congélateur et du réfrigérateur. Voir "Utilisation des commandes". Attendre 24 heures entre les ajustements.

REMARQUE: Le réglage du congélateur à une température plus froide peut rendre certains aliments, comme la crème glacée, plus durs.

À noter

- La qualité de vos glaçons dépend de la qualité de l'eau fournie à votre machine à glaçons. Éviter de brancher la machine à glaçons à un approvisionnement d'eau adoucie. Les produits chimiques adoucisseurs d'eau (tels que le sel) peuvent endommager des pièces de la machine à glaçons et causer une piètre qualité des glaçons. Si une alimentation d'eau adoucie ne peut pas être évitée, s'assurer que l'adoucisseur d'eau fonctionne bien et qu'il est bien entretenu.
 - Ne pas utiliser un objet pointu pour briser les glaçons dans le bac d'entreposage. Cette action peut endommager le bac à glaçons et le mécanisme du distributeur.
 - Ne pas garder quoi que ce soit dans le bac à glaçons.
-

Distributeurs d'eau et de glaçons

IMPORTANT:

- Après avoir connecté le réfrigérateur à une source d'alimentation en eau ou après avoir remplacé le filtre à eau, vidanger le système d'eau. Utiliser un récipient robuste pour appuyer sur la plaque du distributeur d'eau pendant 5 secondes, puis relâcher pendant 5 secondes. Répéter l'opération jusqu'à ce que l'eau commence à couler. Une fois que l'eau commence à couler, répéter l'opération (appui sur la plaque du distributeur pendant 5 secondes puis relâchement pendant 5 secondes) jusqu'à ce que vous ayez

distribué 4 gallons (15 L) au total. Ceci permettra d'évacuer l'air du filtre et du système de distribution d'eau, et rendra le filtre à air prêt à être utilisé. Une vidange supplémentaire peut être nécessaire dans certains domiciles. Pendant l'évacuation de l'air, l'eau peut gicler du distributeur.

- Attendre 24 heures pour que le réfrigérateur se refroidisse et refroidisse l'eau.
- Attendre 24 heures pour produire la première quantité de glaçons. Jeter les trois premières quantités de glaçons produites.



Le distributeur d'eau

IMPORTANT : Panser une quantité suffisante d'eau chaque semaine pour maintenir un approvisionnement frais.

L'unité d'affichage par défaut pour la distribution d'eau est en onces. Les unités peuvent être changées en tasses ou en litres.

Distribution d'eau (standard) :

1. Appuyer un verre robuste contre la plaque du distributeur d'eau OU placer le verre sous le distributeur d'eau et appuyer sur le bouton du distributeur d'eau.



2. Retirer le verre OU relâcher le bouton pour arrêter la distribution.

Distribution d'eau (remplissage mesuré) :

La fonction Measured Fill (remplissage mesuré) permet de distribuer une quantité d'eau précise en appuyant simplement sur quelques boutons.

REMARQUE : La quantité d'eau distribuée correspondra à la quantité sélectionnée. Vérifier que le récipient est vide et peut contenir le volume complet. Si de la glace se trouve dans le récipient, il peut être nécessaire d'ajuster la sélection.

1. Appuyer sur EAU sur l'écran d'affichage pour activer cette caractéristique.

REMARQUE : Le distributeur quitte automatiquement l'écran Measured Fill (remplissage mesuré) après 15 secondes d'inactivité.

2. Il est possible de puiser l'eau en once, en tasse ou en litre. Appuyer sur UNITÉS pour sélectionner l'unité de mesure désirée. Les volumes minimum et maximum sont indiqués ci-dessous.

Unités	Minimum	Maximum
Onces	1	128
Tasses	1/4	16
Litres	0,05	4

3. Appuyer sur les flèches vers le haut ou vers le bas pour régler le volume tel que souhaité.

REMARQUE : La plupart des tasses à café (généralement 4 à 6 onces [118 à 177 mL] par tasse) ne sont pas de la même taille que les tasses à mesurer (8 onces [237 mL]). Il peut être nécessaire d'ajuster le volume pour éviter un remplissage excessif non intentionnel des tasses à café. La caractéristique Measured Fill est basée sur une pression de l'eau standard de 60 lb/po2. Les utilisateurs avec une pression de l'eau inférieure devront peut-être ajuster en conséquence le volume d'eau sélectionné.

4. Pour puiser de l'eau, appuyer un verre robuste contre la plaque du distributeur d'eau OU placer le verre sous le distributeur d'eau et appuyer sur le bouton du distributeur d'eau.

REMARQUE : Au cours de la distribution de l'eau, l'affichage numérique procède à un décompte de la quantité d'eau qu'il reste à distribuer, en fonction du volume sélectionné. Le débit d'eau s'arrête automatiquement une fois que le volume désiré a été distribué.

5. Pour arrêter la distribution avant que la totalité du volume sélectionné ait été distribuée, écarter le verre de la plaque du distributeur OU appuyer une seconde fois sur le bouton du distributeur d'eau.

REMARQUE : Si la distribution est arrêtée avant que la totalité du volume sélectionné ait été distribuée, l'affichage numérique continue d'indiquer la quantité d'eau qu'il reste à distribuer. L'écran Measured Fill (remplissage mesuré) disparaît de l'affichage après 15 secondes d'inactivité.

Pour sélectionner un nouveau volume ou sélectionner à nouveau le même volume, il est nécessaire auparavant d'achever la distribution du volume sélectionné, ou bien de désactiver la fonction Measured Fill pour la réactiver ensuite.

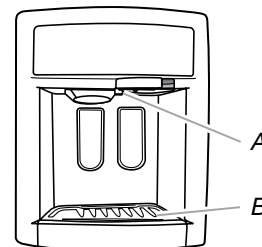
Volumes préréglés

Le distributeur peut contenir jusqu'à trois volumes d'eau préréglés pour une distribution facile dans des contenants traditionnels.

- Pour sauvegarder les préreglages, appuyer sur EAU, puis sur PRÉRÉGLAGE. Repérer un préreglage vide ou non désiré sur l'écran d'affichage. Appuyer sur ce préreglage pendant 3 secondes; le menu d'ajustement de préreglage apparaît ensuite sur l'écran d'affichage. Régler les unités et le volume d'eau si désiré, tel qu'indiqué aux étapes 2 et 3 de la section précédente. Appuyer sur PRÉRÉGLAGE pour sauvegarder ce préreglage.
- Pour utiliser les préreglages, appuyer sur EAU, puis PRÉRÉGLAGE, puis appuyer sur le préreglage souhaité et relâcher. Commencer la distribution d'eau tel que spécifié aux étapes 4 et 5 de la section précédente.

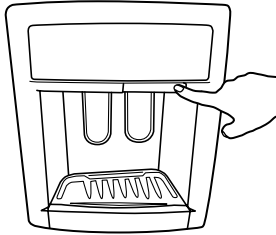
Robinet rotatif et plateau amovible (sur certains modèles)

Sur certains modèles, le distributeur comporte un robinet d'eau rotatif et un plateau coulissant au fond.



A. Robinet tourné
B. Plateau amovible

- Le robinet peut être orienté vers le centre pour permettre une distribution facile dans de grands récipients. Pour le faire pivoter, appuyer sur le côté droit du robinet, tel qu'illustré.



Appuyer sur le côté gauche pour faire pivoter le robinet et le ramener à sa position initiale.

REMARQUE : En cas d'utilisation du distributeur avec le robinet tourné, ne pas utiliser la plaque du distributeur d'eau. Utiliser exclusivement le bouton de distribution d'eau pour la distribution. La distribution effectuée au moyen d'un récipient appuyé contre la plaque du distributeur d'eau peut occasionner un renversement accidentel.

- Le plateau peut être légèrement tiré à l'extérieur pour un meilleur soutien des grands récipients. Il est conçu pour récupérer les légers renversements et permettre un nettoyage facile. Il n'y a pas de conduit d'écoulement dans le plateau.

REMARQUE : Le plateau peut être enlevé du distributeur et transporté jusqu'à l'évier pour être vidé ou nettoyé. Tirer le plateau jusqu'à la butée pour le sortir, puis soulever doucement l'arrière du plateau et le faire glisser pour le sortir complètement



ice fill

Tenir le verre près de l'ouverture du distributeur pour que les glaçons ne tombent pas à côté du verre.

IMPORTANT : Il n'est pas nécessaire d'exercer une pression importante sur la plaque ou le bouton pour activer le distributeur de glaçons. Une pression forte ne donne pas une distribution plus rapide de glaçons ou des quantités plus grandes.

3. Retirer le verre OU relâcher le bouton pour arrêter la distribution.

REMARQUE : La distribution de glaçons peut se poursuivre pendant 10 secondes après que le verre a été éloigné de la plaque ou en relâchant le bouton. Le distributeur peut continuer à faire du bruit pendant quelques secondes après la distribution.

La lampe du distributeur

Lorsqu'on utilise le distributeur, la lampe s'allume automatiquement. Si l'on souhaite que la lumière soit constamment allumée, voir "Utilisation des commandes".

Le verrouillage du distributeur

Le distributeur peut être verrouillé pour un nettoyage facile ou pour éviter la distribution involontaire par de jeunes enfants ou des animaux de compagnie.

REMARQUE : La caractéristique de verrouillage ne coupe pas l'alimentation électrique au réfrigérateur, à la machine à glaçons ou à la lumière du distributeur. Cela désactive tout simplement les commandes et les leviers du distributeur. Pour éteindre la machine à glaçons, voir "Machine à glaçons et bac d'entreposage de glaçons".

- Pour verrouiller le distributeur, appuyer sur OPTIONS, puis sur VERROUILLAGE, puis sur OUI. L'écran d'affichage confirme le verrouillage du distributeur.
- Pour déverrouiller le distributeur, appuyer sur OPTIONS, puis sur VERROUILLAGE, puis sur OUI. L'écran d'affichage confirme le déverrouillage du distributeur.

Le distributeur de glaçons

La glace tombe du bac d'entreposage de la machine à glaçons dans le congélateur lorsqu'on appuie sur la plaque du distributeur. Le système de distribution ne fonctionne pas lorsque la porte du réfrigérateur est ouverte. Pour éteindre la machine à glaçons, voir "Machine à glaçons et bac d'entreposage de glaçons".

La machine à glaçons peut produire de la glace concassée et des glaçons. Avant de commencer la distribution de glace, appuyer sur GLACE sur l'écran d'affichage pour sélectionner le type de glace que l'on souhaite distribuer.

L'écran d'affichage indique le type de glace sélectionné. Pour la glace concassée, les cubes de glace sont concassés avant d'être distribués. Cela peut entraîner un léger retard dans la distribution de glace concassée. Le bruit du broyeur de glaçons est normal et la dimension des morceaux de glace peut varier.

Lorsqu'on passe du mode glace concassée au mode glaçons, quelques onces de glace concassée sont distribuées avec les premiers glaçons.

Distribution de glace :

1. Sélectionner le type de glace souhaité.

⚠ AVERTISSEMENT



Risque de coupure

Utiliser un verre robuste pour prendre des glaçons.

Le non-respect de cette instruction peut causer des coupures.

2. Appuyer un verre robuste contre la plaque du distributeur de glaçons OU placer le verre sous le distributeur de glaçons et appuyer sur le bouton du distributeur de glaçons.

Témoin lumineux de l'état du filtre à eau

Le témoin lumineux de l'état du filtre à eau vous permettra de savoir quand changer votre filtre à eau. Lorsque l'écran d'affichage de l'état du filtre à eau passe de "NORMAL" à "COMMANDER", cela signifie qu'il est presque temps de changer la cartouche du filtre à eau. Remplacer la cartouche du filtre à eau lorsque l'écran d'affichage indique "REEMPLACER". L'icône REEMPLACER (rouge) clignote et un signal d'alerte retentit une fois après que l'eau a été distribuée.

Si le débit d'eau vers le distributeur d'eau ou la machine à glaçons décroît de manière sensible, il convient de changer le filtre plus tôt. Le filtre doit être remplacé au moins tous les 6 mois selon la qualité de l'eau et l'utilisation. Pour changer le filtre à eau, voir "Système de filtration d'eau".

TÉMOIN :	ÉTAT :
NORMAL (vert)	Filtre neuf installé
COMMANDER (jaune)	Commander un filtre
REEMPLACER (rouge) OU lorsque le débit d'eau diminue	Remplacer le filtre à eau

Après avoir changé le filtre à eau, régler de nouveau le témoin lumineux de l'état du filtre à eau. Sur l'écran d'affichage, appuyer sur OPTIONS, puis FILTRE À EAU, puis RÉINITIALISATION, et enfin OUI. Le témoin lumineux passe de REMPLACER (rouge) à NORMAL (vert) lorsque le système est réinitialisé.

Système de filtration de l'eau

Le filtre à eau se situe dans le coin supérieur droit du compartiment de réfrigération.

Ne pas utiliser pour le filtrage d'une eau microbiologiquement polluée ou de qualité inconnue en l'absence d'un dispositif de désinfection adéquat avant ou après le système. Les systèmes certifiés pour la réduction de kyste peuvent être utilisés pour l'eau désinfectée qui peut contenir des kystes filtrables.

IMPORTANT : Le filtre à eau jetable doit être remplacé au moins tous les 6 mois. Si le débit d'eau au distributeur d'eau ou à machine à glaçons diminue de façon notable avant 6 mois, remplacer le filtre à eau plus souvent.

Remplacement du filtre à eau

Pour acheter un filtre à eau de rechange, pièce n° UKF8001AXX, contactez votre revendeur ou composez le **1-877-232-6771** (É.-U.) ou le **1-800-807-6777** (Canada).

IMPORTANT : L'air emprisonné dans le système d'eau peut provoquer une expulsion de l'eau et du filtre. Toujours faire couler l'eau pendant au moins 2 minutes avant de retirer le filtre ou le bouchon de dérivation bleu.

1. Pour accéder au filtre, appuyer vers le haut sur la section ondulée du couvercle du filtre à eau.
2. Tourner le filtre dans le sens antihoraire pour le retirer.
3. Retirer l'étiquette de scellement du filtre de rechange et insérer l'extrémité du filtre dans la tête du filtre.
4. Tourner le filtre dans le sens horaire jusqu'à la butée. Emboîter le couvercle du filtre pour fermer.
5. Vidanger le système d'eau. Voir "Distributeur d'eau et de glaçons".

REMARQUE : Le distributeur peut être utilisé sans installer de filtre à eau. L'eau ne sera pas filtrée. Si cette option est choisie, remplacer le filtre par le bouchon de dérivation bleu.

ENTRETIEN DU RÉFRIGÉRATEUR

Nettoyage

AVERTISSEMENT



Risque d'explosion

Utiliser un produit de nettoyage ininflammable.

Le non-respect de cette instruction peut causer un décès, une explosion ou un incendie.

Les sections de réfrigération et de congélation se dégivrent automatiquement. Toutefois, nettoyer les deux sections environ une fois par mois pour éviter une accumulation d'odeurs. Essuyer les renversements immédiatement.

IMPORTANT :

- Comme l'air circule entre les deux sections, toutes les odeurs formées dans une section seront transférées à l'autre. Vous devez nettoyer à fond les deux sections pour éliminer les odeurs. Pour éviter le transfert d'odeurs et l'assèchement des aliments, envelopper ou recouvrir hermétiquement les aliments.
- Ne pas utiliser des nettoyeurs abrasifs tels que les nettoyeurs à vitre en atomiseurs, nettoyeurs à récurer, liquides inflammables, cires nettoyantes, détergents concentrés, dissolvants pour vernis à ongles, agent de blanchiment ou nettoyeurs contenant du pétrole sur les pièces en plastique, les garnitures intérieures et de portes ou les joints de portes. Ne pas utiliser d'essuie-tout, tampons à récurer ou autres outils de nettoyage abrasifs pouvant endommager ou érafler les matériaux.

Nettoyage de l'intérieur

1. Débrancher le réfrigérateur ou déconnecter la source de courant électrique.
2. Laver à la main, rincer et sécher les pièces amovibles et les surfaces internes à fond. Utiliser une éponge propre ou un linge doux et un détergent doux dans de l'eau tiède.
3. Brancher le réfrigérateur ou reconnecter la source de courant électrique.

Nettoyage de l'écran tactile sur le panneau d'affichage

1. Pour éviter de modifier involontairement les réglages, s'assurer que le réfrigérateur est débranché ou que l'alimentation électrique est déconnectée avant d'essuyer l'écran.
2. Mélanger une solution de détergent doux dans de l'eau tiède. Imprégner un chiffon doux sans charpie de la solution et essuyer doucement l'écran.

REMARQUE : Ne pas asperger ou essuyer des liquides directement sur l'écran ou ne pas mouiller excessivement le chiffon.

3. Brancher le réfrigérateur ou reconnecter la source de courant électrique.

Nettoyage des surfaces extérieures

1. Débrancher le réfrigérateur ou déconnecter la source de courant électrique.
2. Laver les surfaces extérieures en acier inoxydable ou en métal peint avec une éponge propre ou un linge doux et un détergent doux dans de l'eau tiède.

- Pour que votre réfrigérateur en acier inoxydable conserve son aspect neuf et pour enlever les petites égratignures ou marques, il est suggéré d'utiliser le nettoyant et poli pour acier inoxydable n° 20000008 approuvé par le fabricant. Pour commander le produit de nettoyage, composer le **1-800-232-6771** (É.-U.) ou le **1-800-807-6777** (Canada).

IMPORTANT : Ce nettoyant doit être utilisé sur les pièces en acier inoxydable uniquement!

Veiller à ce que le nettoyant et poli pour acier inoxydable n'entre pas en contact avec les pièces de plastique telles que garnitures, couvercles de distributeurs ou joints de porte. En cas de contact non intentionnel, nettoyer la pièce de plastique avec une éponge et un détergent doux dans de l'eau tiède. Sécher parfaitement avec un linge doux.

3. Brancher le réfrigérateur ou reconnecter la source de courant électrique.

Nettoyage du condenseur

Le condenseur n'a pas besoin d'être nettoyé souvent dans des conditions de fonctionnement normales. Si l'environnement est particulièrement gras, poussiéreux, ou s'il y a des animaux domestiques dans la maison, le condenseur devrait être nettoyé tous les deux ou trois mois pour assurer une efficacité maximum.

Si vous avez besoin de nettoyer le condenseur :

1. Débrancher le réfrigérateur ou déconnecter la source de courant électrique.
2. Retirer la grille de la base.

3. Utiliser un aspirateur à brosse douce pour nettoyer la grille, les endroits ouverts derrière la grille et la surface à l'avant du condenseur.
4. Replacer la grille de la base lorsqu'on a terminé.
5. Brancher le réfrigérateur ou reconnecter la source de courant électrique.

Remplacement de l'ampoule d'éclairage

REMARQUE : Toutes les ampoules pour appareils ménagers ne sont pas compatibles avec ce réfrigérateur. Veiller à remplacer l'ampoule par une ampoule de même taille, forme et puissance (pas plus de 40 W).

- Les lampes du distributeurs sont des DEL. Elles ne peuvent être changées.
- Sur certains modèles les lampes intérieures sont des DEL. Elles ne peuvent être changées.
- Certains modèles peuvent comporter des DEL dans un compartiment et une lampe pour appareils ménagers dans un autre compartiment.

Pour remplacer une lampe pour appareils ménagers :

1. Débrancher le réfrigérateur ou déconnecter la source de courant électrique.
2. Remplacer la ou les ampoule(s) grillée(s) avec une/des ampoule(s) pour appareil ménager ne dépassant pas 40 watts.
3. Brancher le réfrigérateur ou reconnecter la source de courant électrique.

DÉPANNAGE

Essayer d'abord les solutions suggérées ici ou visiter notre site Internet et la FAQ (foire aux questions) pour éviter le coût d'un appel de service.

Aux É.-U., www.maytag.com Au Canada, www.maytag.ca

Fonctionnement du réfrigérateur

Le réfrigérateur ne fonctionne pas

AVERTISSEMENT



Risque de choc électrique

Brancher sur une prise à 3 alvéoles reliée à la terre.

Ne pas enlever la broche de liaison à la terre.

Ne pas utiliser un adaptateur.

Ne pas utiliser un câble de rallonge.

Le non-respect de ces instructions peut causer un décès, un incendie ou un choc électrique.

- **Un fusible est-il grillé ou un disjoncteur s'est-il ouvert?** Remplacer le fusible ou réarmer le disjoncteur. Si le problème persiste, appeler un électricien.
- **Les commandes sont-elles en marche?** S'assurer que les commandes du réfrigérateur sont en marche. Voir "Utilisation de la(des) commande(s)".
- **S'agit-il d'une nouvelle installation?** Attendre 24 heures après l'installation pour que le réfrigérateur se refroidisse complètement.

REMARQUE : Mettre les boutons de réglage de la température sur la position la plus froide ne refroidira aucun des compartiments plus rapidement.

Le moteur semble trop tourner

Il se peut que votre nouveau réfrigérateur fonctionne plus longtemps que l'ancien grâce à son compresseur à haute efficacité et ses ventilateurs. L'appareil peut fonctionner plus longtemps encore si la température de la pièce est chaude, si une importante quantité de nourriture y est ajoutée, si les portes sont fréquemment ouvertes ou si elles ont été laissées ouvertes.

- **Le cordon d'alimentation électrique est-il débranché?** Brancher sur une prise à 3 alvéoles reliée à la terre.
- **La prise électrique fonctionne-t-elle?** Brancher une lampe pour voir si la prise fonctionne.

Le réfrigérateur semble bruyant

Le bruit des réfrigérateurs a été réduit au cours des années. Du fait de cette réduction, il est possible d'entendre des bruits intermittents venant de votre nouveau réfrigérateur qui n'avaient pas été décelés avec votre ancien modèle. Voici une liste des sons normaux accompagnés d'explications.

- **Bourdonnement** - entendu lorsque le robinet d'arrivée d'eau s'ouvre pour remplir la machine à glaçons
- **Pulsation** - les ventilateurs/le compresseur se règlent afin d'optimiser la performance
- **Sifflement/cliquetis** - écoulement de liquide réfrigérant, mouvement des conduites d'eau ou d'objets posés sur le dessus du réfrigérateur
- **Grésillement/gargouillement** - de l'eau tombe sur l'élément de chauffage durant le programme de dégivrage
- **Bruit d'éclatement** - contraction/expansion des parois internes, particulièrement lors du refroidissement initial
- **Bruit d'écoulement d'eau** - peut être entendu lorsque la glace fond lors du programme de dégivrage et que l'eau s'écoule dans le plateau de dégivrage
- **Grincement/craquement** - se produit lorsque la glace est éjectée du moule à glaçons

Les portes ne ferment pas complètement

- **La porte est-elle bloquée en position ouverte?** Déplacer les emballages d'aliments pour libérer la porte.
- **Un compartiment ou une tablette bloquent-ils le passage?** Replacer le compartiment ou la tablette en position correcte.

Les portes sont difficiles à ouvrir

AVERTISSEMENT



Risque d'explosion

Utiliser un produit de nettoyage ininflammable.

Le non-respect de cette instruction peut causer un décès, une explosion ou un incendie.

- **Les joints d'étanchéité sont-ils sales ou collants?** Nettoyer les joints et les surfaces de contact au savon doux et à l'eau tiède. Rincer et sécher avec un linge doux.

Température et humidité

La température est trop élevée

- **S'agit-il d'une nouvelle installation?** Attendre 24 heures après l'installation pour que le réfrigérateur se refroidisse complètement.
- **La/Les porte(s) est/sont-elle(s) fréquemment ouverte(s) ou laissée(s) ouverte(s)?** Ceci permet à l'air chaud de pénétrer dans le réfrigérateur. Minimiser les ouvertures de porte et garder les portes complètement fermées.
- **Une importante quantité d'aliments a-t-elle été ajoutée?** Attendre quelques heures pour que le réfrigérateur revienne à sa température normale.
- **Les commandes sont-elles correctes pour les conditions existantes?** Ajuster les commandes un cran plus froid. Vérifier la température au bout de 24 heures. Voir "Utilisation de la(des) commande(s)".

La température est trop basse dans le réfrigérateur

- **L'évent du réfrigérateur est-il obstrué?** Si l'évent situé dans la partie supérieure gauche du compartiment du réfrigérateur est obstrué par des articles placés directement devant, le réfrigérateur deviendra trop froid. Écartez les articles de l'évent.
- **Le bac d'entreposage est-il bien positionné?** Voir "Machine à glaçons et bac d'entreposage."
- **Les commandes sont-elles correctement réglées pour les conditions environnantes?** Régler les commandes à un réglage plus élevé. Vérifier la température 24 heures plus tard. Voir "Utilisation de la(des) commande(s)".

Il y a une accumulation d'humidité à l'intérieur

REMARQUE : Une certaine accumulation d'humidité est normale.

- **La pièce est-elle humide?** Ceci contribue à l'accumulation de l'humidité.
- **La/Les porte(s) est/sont-elle(s) fréquemment ouverte(s) ou laissée(s) ouverte(s)?** Ceci permet à l'air humide de pénétrer dans le réfrigérateur. Minimiser les ouvertures de porte et garder les portes complètement fermées.

Glaçons et eau

La machine à glaçons ne produit pas ou pas suffisamment de glaçons

- **Le réfrigérateur est-il connecté à l'alimentation en eau et le robinet d'arrêt d'eau est-il ouvert?** Brancher le réfrigérateur à l'alimentation en eau et ouvrir le robinet d'arrêt d'eau complètement.
- **La canalisation de la source d'eau du domicile comporte-t-elle une déformation?** Une déformation dans la canalisation peut réduire l'écoulement d'eau. Redresser la canalisation d'eau.
- **La machine à glaçons est-elle allumée?** S'assurer que la machine à glaçons est en marche. Voir "Machine à glaçons et bac d'entreposage de glaçons".

- **S'agit-il d'une nouvelle installation?** Attendre 24 heures après l'installation pour le commencement de la production de glaçons. Attendre 72 heures pour la production complète de glaçons.
- **La porte du réfrigérateur est-elle bien fermée?** Bien fermer la porte. Si elle ne ferme pas complètement, voir "Les portes ne ferment pas complètement".
- **Une grande quantité de glaçons vient-elle d'être enlevée?** Attendre 24 heures pour que la machine à glaçons produise plus de glaçons.
- **Un glaçon est-il coincé dans le bras éjecteur?** Enlever le glaçon du bras éjecteur avec un ustensile en plastique.
- **Un filtre à eau est-il installé sur le réfrigérateur?** Enlever le filtre et faire fonctionner la machine à glaçons. Si le volume de glace augmente, le filtre est probablement obstrué ou mal installé. Remplacer le filtre ou le réinstaller correctement.
- **Un système de filtration de l'eau à osmose inverse est-il connecté à votre canalisation d'eau froide?** Ceci peut diminuer la pression de l'eau. Voir "Spécifications de l'alimentation en eau".

Les glaçons sont creux ou petits

REMARQUE : Cela indique une faible pression de l'eau.

- **Le robinet d'arrêt d'eau n'est pas complètement ouvert?** Ouvrir le robinet d'arrêt d'eau complètement.
- **La canalisation de la source d'eau du domicile comporte-t-elle une déformation?** Une déformation dans la canalisation peut réduire l'écoulement d'eau. Redresser la canalisation d'eau.
- **Un filtre à eau est-il installé sur le réfrigérateur?** Enlever le filtre et faire fonctionner la machine à glaçons. Si la qualité des glaçons augmente, le filtre est probablement obstrué ou mal installé. Remplacer le filtre ou le réinstaller correctement.
- **Un système de filtration de l'eau à osmose inverse est-il connecté à votre canalisation d'eau froide?** Ceci peut diminuer la pression de l'eau. Voir "Spécifications de l'alimentation en eau".
- **Reste-t-il des questions concernant la pression de l'eau?** Appeler un plombier agréé et qualifié.

Goût, odeur ou couleur grise des glaçons

- **Les raccords de plomberie sont-ils neufs?** Des raccords de plomberie neufs peuvent causer une décoloration ou un mauvais goût des glaçons.
- **Les glaçons ont-ils été gardés trop longtemps?** Jeter les glaçons. Laver le compartiment à glaçons. Attendre 24 heures pour la fabrication de nouveaux glaçons.
- **Y a-t-il un transfert d'odeurs de nourriture?** Utiliser des emballages étanches à l'air et à l'humidité pour conserver les aliments.
- **L'eau contient-elle des minéraux (tels que le soufre)?** L'installation d'un filtre peut être requise afin d'enlever les minéraux.
- **Un filtre à eau est-il installé sur le réfrigérateur?** Une décoloration grise ou foncée de la glace indique que le système de filtration de l'eau a besoin d'un rinçage additionnel. Rincer le système de filtration d'eau avant d'utiliser un nouveau filtre. Remplacer le filtre à eau à la date indiquée. Voir "Système de filtration de l'eau".

Le distributeur d'eau et de glaçons ne fonctionne pas correctement

- **Le réfrigérateur est-il connecté à l'alimentation en eau et le robinet d'arrêt d'eau est-il ouvert?** Brancher le réfrigérateur à l'alimentation en eau et ouvrir le robinet d'arrêt d'eau complètement.
- **La canalisation de la source d'eau du domicile comporte-t-elle une déformation?** Redresser la canalisation d'eau.
- **S'agit-il d'une nouvelle installation?** Rincer et remplir le système de distribution d'eau. Voir "Distributeur d'eau et de glaçons".
- **La pression de l'eau est-elle d'au moins 35/ps² (241 kPa)?** La pression de l'eau du domicile détermine l'écoulement d'eau du distributeur. Voir "Spécifications de l'alimentation en eau".
- **Un filtre à eau est-il installé sur le réfrigérateur?** Enlever le filtre et faire fonctionner le distributeur. Si l'écoulement d'eau augmente, le filtre est probablement obstrué ou mal installé. Remplacer le filtre ou le réinstaller correctement.
- **La porte du réfrigérateur est-elle bien fermée?** Bien fermer la porte. Si elle ne ferme pas complètement, voir "Les portes ne ferment pas complètement".
- **Les portes ont-elles été récemment enlevées?** S'assurer que l'assemblage câble/tuyau du distributeur d'eau a été correctement reconnecté au sommet de la porte du réfrigérateur. Voir "Portes et tiroir du réfrigérateur".
- **Un système de filtration de l'eau à osmose inverse est-il connecté à votre canalisation d'eau froide?** Ceci peut diminuer la pression de l'eau. Voir "Spécifications de l'alimentation en eau".

L'eau coule du système de distribution

REMARQUE : Il est normal de constater une ou deux gouttes d'eau après la distribution d'eau.

- **Le verre n'a pas été maintenu sous le distributeur assez longtemps?** Maintenir le verre sous le distributeur 2 à 3 secondes après avoir relâché le levier du distributeur.
- **S'agit-il d'une nouvelle installation?** Rincer le système de distribution d'eau. Voir "Distributeur d'eau et de glaçons".
- **Le filtre à eau a-t-il été récemment changé?** Rincer le système de distribution d'eau. Voir "Distributeur d'eau et de glaçons".

L'eau du distributeur est tiède

REMARQUE : L'eau du distributeur est seulement réfrigérée à 50°F (10°C).

- **S'agit-il d'une nouvelle installation?** Attendre 24 heures après l'installation pour que l'alimentation d'eau refroidisse complètement.
- **Une grande quantité d'eau a-t-elle récemment été distribuée?** Attendre 24 heures pour que l'alimentation d'eau refroidisse complètement.
- **N'a-t-on pas récemment distribué de l'eau?** Le premier verre d'eau peut ne pas être froid. Jeter le premier verre d'eau.
- **Le réfrigérateur est-il branché à l'arrivée d'eau froide?** S'assurer que le réfrigérateur est branché à l'arrivée d'eau froide. Voir "Spécifications de l'alimentation en eau".

FEUILLES DE DONNÉES SUR LA PERFORMANCE

Systeme de filtration d'eau interieur Modele UKF8001AXX-750 /Capacite : 750 gallons (2839 litres)



Systeme teste et certifie par NSF International en vertu de la norme NSF/ANSI 42 (reduction du gout et de l'odeur du chlore, et particules (classe I*)); et en vertu de la norme NSF/ANSI 53 (reduction de plomb, mercure, atrazine, benzene, p-dichlorobenzene, carbofuran, toxaphene, kystes, turbidite, amiante, tetrachloroethyle, et lindane).

Ce produit a ete teste selon les normes NSF/ANSI 42 et 53 pour la reduction des substances evaluees ci-dessous. La concentration des substances indiquees dans l'eau entrant dans le systeme a ete reduite a une concentration moindre ou egale a la limite permise pour l'eau qui quitte le systeme, tel que specifie dans les normes NSF/ANSI 42 et 53.

Réd. de substances Effets esthétiques	Critères de réduction NSF	Affluent moyen	Concentration dans l'eau à traiter	Effluent maximal	Effluent moyen	% de red. minimale	% de red. moyenne
Goût/odeur de chlore Particules (classe I*)	réduction de 50 % réduction de 85 %	2,00 mg/L 14 000 000 #/mL	2,0 mg/L ± 10 % Au moins 10 000 particules/mL	0,06 mg/L 370 000 #/mL**	0,050625 mg/L 196 666 #/mL	97,00 % 97,40 %	97,52 % 99,00 %
Réduction de contaminant	Critères de réduction NSF	Affluent moyen	Concentration dans l'eau à traiter	Effluent maximal	Effluent moyen	% de red. minimale	% de red. moyenne
Plomb : à pH 6,5 Plomb : à pH 8,5	0,010 mg/L 0,010 mg/L	0,150 mg/L† 0,150 mg/L†	0,15 mg/L ± 10 % 0,15 mg/L ± 10 %	< 0,001 mg/L < 0,001 mg/L	< 0,001 mg/L < 0,001 mg/L	>99,30 % >99,30 %	>99,30 % >99,30 %
Mercuré : à pH 6,5 Mercuré : à pH 8,5	0,002 mg/L 0,002 mg/L	0,006 mg/L 0,0059 mg/L	0,006 mg/L ± 10 % 0,006 mg/L ± 10 %	0,0005 mg/L 0,0018 mg/L	0,0003 mg/L 0,00073 mg/L	91,70 % 69,20 %	95,00 % 88,10 %
Benzène	0,005 mg/L	0,0133 mg/L	0,015 mg/L ± 10 %	0,0005 mg/L	0,0005 mg/L	96,10 %	96,30 %
p-dichlorobenzène	0,075 mg/L	0,210 mg/L	0,225 mg/L ± 10 %	< 0,0005 mg/L	< 0,0005 mg/L	>99,80 %	>99,80 %
Carbofuran	0,040 mg/L	0,0753 mg/L	0,08 mg/L ± 10 %	0,027 mg/L	0,008 mg/L	64,60 %	73,45 %
Toxaphène	0,003 mg/L	0,015 mg/L	0,015 ± 10 %	< 0,001 mg/L	< 0,001 mg/L	>93,3 %	>93,3 %
Atrazine	0,003 mg/L	0,0102 mg/L	0,009 mg/L ± 10 %	0,0027 mg/L	0,00105 mg/L	76,30 %	89,40 %
Amiante	>99 %	126,5 MF/L	10 ⁷ à 10 ⁸ fibres/L††	<0,17 MF/L	<0,17 MF/L	>99,99 %	>99,99 %
Kystes‡ Turbidité	>99,95 % 0,5 NTU	122 500 #/L 10,5 NTU	50 000/L min. 11 ± 1 NTU	<1 #/L‡ 0,30 NTU	<1 #/L‡ 0,125 NTU	>99,99 % 97,30 %	>99,99 % 98,80 %
Lindane	0,0002 mg/L	0,0019 mg/L	0,002 ± 10 %	< 0,00016 mg/L	0,000035 mg/L	91,80 %	97,90 %
Tétrachloroéthylène	0,005 mg/L	0,015 mg/L	0,015 mg/L ± 10 %	< 0,0005 mg/L	< 0,0005 mg/L	>96,6 %	>96,6 %

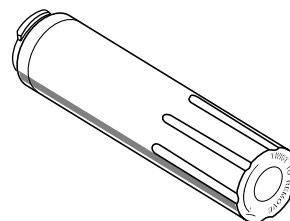
Paramètres de test : pH = 7,5 ± 0,5 à moins d'indications contraires. Débit = 0,78 gpm (1,9 Lpm). Pression = 60 lb/po² (413,7 kPa). Température = 68°F ± 5°F (20°C ± 3°C).

- Il est essentiel que les exigences de fonctionnement, d'entretien et de remplacement de filtre soient respectées pour que ce produit donne le rendement annoncé.
- Le filtre à eau jetable devrait être remplacé au moins tous les 6 mois.
- Le système de contrôle du filtre mesure la quantité d'eau qui passe par le filtre et vous alerte lorsqu'il faut remplacer le filtre. Lorsque 90 % de la vie estimée du filtre sont utilisés, le témoin jaune (Order/commander) s'allume. Lorsque 100 % de la vie estimée du filtre sont utilisés, le témoin rouge (Replace/remplacer) s'allume et il est recommandé de remplacer le filtre. Pour les modèles sans témoin lumineux de l'état du filtre, remplacer le filtre tous les 6 mois. Utiliser un filtre de remplacement UKF8001AXX-750. Prix suggéré au détail en 2009 de 44,99 \$US/49,95 \$CAN. Les prix sont sujets à des changements sans préavis.
- Le produit ne doit être utilisé que pour l'eau froide.
- Ne pas utiliser pour le filtrage d'une eau microbiologiquement polluée ou de qualité inconnue en l'absence d'un dispositif de désinfection adéquat avant ou après le système. Les systèmes certifiés pour la réduction de kyste peuvent être utilisés pour l'eau désinfectée qui peut contenir des kystes filtrables.

- Veuillez vous référer à la section "Système de filtration de l'eau" pour le nom et le numéro de téléphone du fabricant.
- Veuillez vous référer à la section "Garantie" pour la garantie limitée du fabricant.

Directives d'application/Paramètres d'approvisionnement en eau

Approvisionnement en eau	Collectivité ou puits
Pression de l'eau	35 - 120 lb/po ² (241 - 827 kPa)
Température de l'eau	33° - 100°F (1° - 38°C)
Débit nominal	0,78 gpm (2,9 Lpm) à 60 lb/po ²



*Classe I - taille des particules : > 0,5 à <1 µm

**Exigence de test : au moins 100 000 particules/mL (poussière de test fine AC).

†Ces contaminants ne sont pas nécessairement présents dans votre approvisionnement d'eau. Le rendement peut varier selon les conditions locales de l'eau.

††Fibres de longueur supérieure à 10 µm

‡Cas de la filtration de kystes de *Cryptosporidium parvum*

® NSF est une marque déposée de NSF International.

Système de filtration d'eau intérieur Modèle UKF8001AXX-200 /Capacité : 200 gallons (757 litres)



Système testé et certifié par NSF International en vertu de la norme NSF/ANSI 42 (réduction du goût et de l'odeur du chlore, et particules (classe I*)); et en vertu de la norme NSF/ANSI 53 (réduction de plomb, mercure, atrazine, benzène, p-dichlorobenzène, carbofuran, toxaphène, kystes, turbidité, amiante, O-dichlorobenzène, éthylbenzène, chlorobenzène, endrine, tétrachloroéthylène, et lindane).

Ce produit a été testé selon les normes NSF/ANSI 42 et 53 pour la réduction des substances énumérées ci-dessous. La concentration des substances indiquées dans l'eau entrant dans le système a été réduite à une concentration moindre ou égale à la limite permise pour l'eau qui quitte le système, tel que spécifié dans les normes NSF/ANSI 42 et 53.

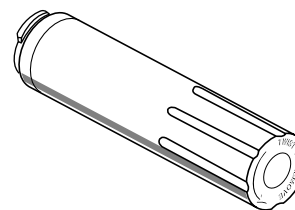
Réd. de substances Effets esthétiques	Critères de réduction NSF	Affluent moyen	Concentration dans l'eau à traiter	Effluent maximal	Effluent moyen	% de réd. minimale	% de réd. moyenne
Goût/odeur de chlore Particules (classe I*)	réduction de 50 % réduction de 85 %	2,00 mg/L 14 000 000 #/mL	2,0 mg/L ± 10 % Au moins 10 000 particules/mL	0,06 mg/L 370 000 #/mL**	0,050625 mg/L 196 666 #/mL	97,00 % 97,40 %	97,52 % 99,00 %
Réduction de contaminant	Critères de réduction NSF	Affluent moyen	Concentration dans l'eau à traiter	Effluent maximal	Effluent moyen	% de réd. minimale	% de réd. moyenne
Plomb : à pH 6,5 Plomb : à pH 8,5	0,010 mg/L 0,010 mg/L	0,150 mg/L [†] 0,150 mg/L [†]	0,15 mg/L ± 10 % 0,15 mg/L ± 10 %	< 0,001 mg/L < 0,001 mg/L	< 0,001 mg/L < 0,001 mg/L	>99,30 % >99,30 %	>99,30 % >99,30 %
Mercure : à pH 6,5 Mercure : à pH 8,5	0,002 mg/L 0,002 mg/L	0,006 mg/L 0,0059 mg/L	0,006 mg/L ± 10 % 0,006 mg/L ± 10 %	0,0005 mg/L 0,0018 mg/L	0,0003 mg/L 0,00073 mg/L	91,70 % 69,20 %	95,00 % 88,10 %
Benzène	0,005 mg/L	0,0133 mg/L	0,015 mg/L ± 10 %	0,0005 mg/L	0,0005 mg/L	96,10 %	96,30 %
p-dichlorobenzène	0,075 mg/L	0,210 mg/L	0,225 mg/L ± 10 %	< 0,0005 mg/L	< 0,0005 mg/L	>99,80 %	>99,80 %
Carbofuran	0,040 mg/L	0,0753 mg/L	0,08 mg/L ± 10 %	0,027 mg/L	0,008 mg/L	64,60 %	73,45 %
Toxaphène	0,003 mg/L	0,015 mg/L	0,015 ± 10 %	< 0,001 mg/L	< 0,001 mg/L	>93,3 %	>93,3 %
Atrazine	0,003 mg/L	0,0102 mg/L	0,009 mg/L ± 10 %	0,0027 mg/L	0,00105 mg/L	76,30 %	89,40 %
Amiante	>99 %	126,5 MF/L	10 ⁷ à 10 ⁸ fibres/L ^{††}	<0,17 MF/L	<0,17 MF/L	>99,99 %	>99,99 %
Kystes [‡] Turbidité	>99,95 % 0,5 NTU	122 500 #/L 10,5 NTU	50 000/L min. 11 ± 1 NTU	<1 #/L [‡] 0,30 NTU	<1 #/L [‡] 0,125 NTU	>99,99 % 97,30 %	>99,99 % 98,80 %
Lindane	0,0002 mg/L	0,0019 mg/L	0,002 ± 10 %	< 0,00016 mg/L	0,000035 mg/L	91,80 %	97,90 %
Tétrachloroéthylène	0,005 mg/L	0,015 mg/L	0,015 mg/L ± 10 %	< 0,0005 mg/L	< 0,0005 mg/L	>96,6 %	>96,6 %
O-dichlorobenzène	0,6 mg/L	1,7 mg/L	1,8 mg/L ± 10 %	< 0,5 mg/L	< 0,5 mg/L	>99,9 %	>99,9 %
Éthylbenzène	0,7 mg/L	2,2 mg/L	2,1 mg/L ± 10 %	0,0048 mg/L	0,11 mg/L	99,80 %	99,90 %
Chlorobenzène	0,1 mg/L	2,0 mg/L	2,0 mg/L ± 10 %	0,0038 mg/L	0,0008 mg/L	99,80 %	99,90 %
Endrine	0,002 mg/L	0,007 mg/L	0,006 mg/L ± 10 %	0,0004 mg/L	0,0002 mg/L	94,30 %	96,80 %

Paramètres de test : pH = 7,5 ± 0,5 à moins d'indications contraires. Débit = 0,78 gpm (1,9 Lpm). Pression = 60 lb/po² (413,7 kPa). Température = 68°F ± 5°F (20°C ± 3°C).

- Il est essentiel que les exigences de fonctionnement, d'entretien et de remplacement de filtre soient respectées pour que ce produit donne le rendement annoncé.
- Le filtre à eau jetable devrait être remplacé au moins tous les 6 mois.
- Le système de contrôle du filtre mesure la quantité d'eau qui passe par le filtre et vous alerte lorsqu'il faut remplacer le filtre. Lorsque 90 % de la vie estimée du filtre sont utilisés, le témoin jaune (Order/commander) s'allume. Lorsque 100 % de la vie estimée du filtre sont utilisés, le témoin rouge (Replace/remplacer) s'allume et il est recommandé de remplacer le filtre. Pour les modèles sans témoin lumineux de l'état du filtre, remplacer le filtre tous les 6 mois. Utiliser un filtre de remplacement UKF8001AXX-200. Prix suggéré au détail en 2009 de 44,99 \$US/49,95 \$CAN. Les prix sont sujets à des changements sans préavis.
- Le produit ne doit être utilisé que pour l'eau froide.
- Ne pas utiliser pour le filtrage d'une eau microbiologiquement polluée ou de qualité inconnue en l'absence d'un dispositif de désinfection adéquat avant ou après le système. Les systèmes certifiés pour la réduction de kyste peuvent être utilisés pour l'eau désinfectée qui peut contenir des kystes filtrables.
- Veuillez vous référer à la section "Système de filtration de l'eau" pour le nom et le numéro de téléphone du fabricant.
- Veuillez vous référer à la section "Garantie" pour la garantie limitée du fabricant.

Directives d'application/Paramètres d'approvisionnement en eau

Approvisionnement en eau	Collectivité ou puits
Pression de l'eau	35 - 120 lb/po ² (241 - 827 kPa)
Température de l'eau	33° - 100°F (1° - 38°C)
Débit nominal	0,78 gpm (2,9 Lpm) à 60 lb/po ²



*Classe I - taille des particules : > 0,5 à <1 µm

**Exigence de test : au moins 100 000 particules/mL (poussière de test fine AC).

[†]Ces contaminants ne sont pas nécessairement présents dans votre approvisionnement d'eau. Le rendement peut varier selon les conditions locales de l'eau.

^{††}Fibres de longueur supérieure à 10 µm

[‡]Cas de la filtration de kystes de *Cryptosporidium parvum*

® NSF est une marque déposée de NSF International.

GARANTIE LIMITÉE DES APPAREILS DE RÉFRIGÉRATION MAYTAG®

GARANTIE LIMITÉE DURANT LA PREMIÈRE ANNÉE (PIÈCES ET MAIN-D'ŒUVRE)

Pendant un an à compter de la date d'achat, lorsque ce gros appareil ménager est installé, utilisé et entretenu conformément aux instructions jointes au produit ou fournies avec, la marque Maytag de Whirlpool Corporation ou Whirlpool Canada, LP (ci-après désignées "Maytag") paiera pour les pièces de rechange spécifiées par l'usine et pour la main-d'œuvre pour corriger les vices de matériaux ou de fabrication qui existaient déjà lorsque ce gros appareil ménager a été acheté.

GARANTIE LIMITÉE DE LA DEUXIÈME À LA DIXIÈME ANNÉE (COMPRESSEUR UNIQUEMENT - MAIN-D'ŒUVRE NON COMPRISE)

De la deuxième à la dixième année inclusivement à compter de la date d'achat initiale, lorsque ce gros appareil ménager est installé, utilisé et entretenu conformément aux instructions jointes au produit ou fournies avec, Maytag paiera pour un compresseur de rechange spécifié par l'usine pour corriger les défauts non esthétiques de matériau ou de fabrication de ladite pièce qui empêchent le réfrigérateur de fonctionner et qui étaient déjà présents lorsque ce gros appareil ménager a été acheté. Cette garantie limitée de 10 ans s'applique uniquement au compresseur et ne comprend pas la main-d'œuvre.

LE SEUL ET EXCLUSIF RECOURS DU CLIENT DANS LE CADRE DE LA PRÉSENTE GARANTIE LIMITÉE CONSISTE EN LA RÉPARATION PRÉVUE PAR LA PRÉSENTE. Le service doit être fourni par une compagnie de service désignée par Maytag. Cette garantie limitée est valide uniquement aux États-Unis ou au Canada et s'applique exclusivement lorsque le gros appareil ménager est utilisé dans le pays où il a été acheté. La présente garantie limitée est valable à compter de la date d'achat initial par le consommateur. Une preuve de la date d'achat d'origine est exigée pour obtenir un service dans le cadre de la présente garantie limitée.

ÉLÉMENTS EXCLUS DE LA GARANTIE

La présente garantie limitée ne couvre pas :

1. Les pièces de rechange ou la main-d'œuvre lorsque ce gros appareil ménager est utilisé à des fins autres que l'usage domestique unifamilial normal ou lorsque les instructions d'installation et/ou les instructions de l'opérateur ou de l'utilisateur fournies ne sont pas respectées.
2. Les visites de service pour rectifier l'installation du gros appareil ménager, montrer à l'utilisateur comment utiliser le gros appareil ménager, remplacer ou réparer des fusibles du domicile ou rectifier le câblage ou la plomberie du domicile.
3. Les visites de service pour réparer ou remplacer les ampoules électriques, les filtres à air ou les filtres à eau de l'appareil. Les pièces consommables ne sont pas couvertes par la garantie.
4. Les dommages imputables à : accident, modification, usage impropre ou abusif, incendie, inondation, actes de Dieu, installation fautive ou installation non conforme aux codes d'électricité ou de plomberie, ou l'utilisation de produits non approuvés par Maytag.
5. Les défauts d'apparence, notamment les éraflures, traces de choc, fissures ou tout autre dommage subi par le fini du gros appareil ménager, à moins que ces dommages ne résultent de vices de matériaux ou de fabrication et ne soient signalés à Maytag dans les 30 jours suivant la date d'achat.
6. Toute perte d'aliments ou de médicaments due à une défaillance du réfrigérateur ou du congélateur.
7. Le ramassage et la livraison. Ce gros appareil ménager est conçu pour être réparé à domicile.
8. Les réparations aux pièces ou systèmes résultant d'une modification non autorisée faite à l'appareil.
9. Les frais de déplacement et de transport pour le service du produit si votre gros appareil ménager est situé dans une région éloignée où un fournisseur de services d'entretien ou de réparation Maytag autorisé n'est pas disponible.
10. L'enlèvement et la réinstallation du gros appareil ménager si celui-ci est installé dans un endroit inaccessible ou n'est pas installé conformément aux instructions d'installation fournies par Maytag.
11. Les pièces de rechange ou la main-d'œuvre pour les gros appareils ménagers dont les numéros de modèle/de série ont été enlevés, modifiés ou ne peuvent pas être facilement identifiés.
12. La décoloration ou l'oxydation des surfaces en acier inoxydable ou encore l'apparition de rouille sur ces surfaces.

CLAUSE D'EXONÉRATION DE RESPONSABILITÉ AU TITRE DES GARANTIES IMPLICITES

LES GARANTIES IMPLICITES, Y COMPRIS LES GARANTIES APPLICABLES DE QUALITÉ MARCHANDE OU D'APTITUDE À UN USAGE PARTICULIER, SONT LIMITÉES À UN AN OU À LA PLUS COURTE PÉRIODE AUTORISÉE PAR LA LOI. Certains États et provinces ne permettent pas de limitation sur la durée d'une garantie implicite de qualité marchande ou d'aptitude à un usage particulier, de sorte que la limitation ci-dessus peut ne pas être applicable dans votre cas. Cette garantie vous confère des droits juridiques spécifiques, et vous pouvez également jouir d'autres droits qui peuvent varier d'une juridiction à l'autre.

LIMITATION DES RECOURS; EXCLUSION DES DOMMAGES FORTUITS OU INDIRECTS

LE SEUL ET EXCLUSIF RECOURS DU CLIENT DANS LE CADRE DE LA PRÉSENTE GARANTIE LIMITÉE CONSISTE EN LA RÉPARATION PRÉVUE CI-DESSUS. MAYTAG N'ASSUME AUCUNE RESPONSABILITÉ POUR LES DOMMAGES FORTUITS OU INDIRECTS. Certains États et certaines provinces ne permettent pas l'exclusion ou la limitation des dommages fortuits ou indirects, de sorte que ces limitations et exclusions peuvent ne pas être applicables dans votre cas. Cette garantie vous confère des droits juridiques spécifiques, et vous pouvez également jouir d'autres droits qui peuvent varier d'une juridiction à l'autre.

Si vous résidez à l'extérieur des 50 États des États-Unis et du Canada, contactez votre marchand Maytag autorisé pour déterminer si une autre garantie s'applique. 5/10

Pour des informations supplémentaires sur le produit, aux É.-U., visiter www.maytag.com. Au Canada, visiter www.maytag.ca.

Si vous n'avez pas accès à Internet et que vous nécessitez une assistance pendant l'utilisation du produit ou que vous souhaitez prendre un rendez-vous, vous pouvez contacter Maytag au numéro ci-dessous.

Ayez votre numéro de modèle à disposition. Vous pouvez trouver vos numéros de modèle et de série sur la plaque située sur la paroi interne du compartiment de réfrigération.

Pour assistance ou service aux É.-U., composez le 1-800-688-9900. Au Canada, composez le 1-800-807-6777.

Si vous avez besoin de plus d'assistance, vous pouvez écrire à Maytag en soumettant toute question ou problème à l'adresse suivante :

Aux États-Unis :

Maytag Brand Home Appliances
Customer eXperience Center
553 Benson Road
Benton Harbor, MI 49022-2692

Au Canada :

Maytag Brand Home Appliances
Centre d'eXpérience à la clientèle
200 - 6750 Century Ave.
Mississauga, Ontario L5N 0B7

Dans votre correspondance, veuillez indiquer un numéro de téléphone où l'on peut vous joindre dans la journée.

Veuillez conserver le manuel de l'utilisateur et le numéro de modèle pour référence ultérieure.

W10336164A
EN/FR PN W10336158A

© 2010
All rights reserved.
Todos los derechos reservados.
Tous droits réservés.

®Registered trademark/™ Trademark of Maytag Corporation or its related companies.
Used under license by Maytag Limited in Canada.
® Marca registrada/™ Marca de comercio de Maytag Corporation o sus compañías asociadas.
Usada bajo licencia por Maytag Limited en Canadá.
©Marque déposée/™ Marque de commerce de Maytag Corporation ou de ses compagnies affiliées.
Emploi sous licence par Maytag Limited au Canada.

6/10
Printed in U.S.A.
Impreso en EE.UU.
Imprimé aux É.-U.

Free Manuals Download Website

<http://myh66.com>

<http://usermanuals.us>

<http://www.somanuals.com>

<http://www.4manuals.cc>

<http://www.manual-lib.com>

<http://www.404manual.com>

<http://www.luxmanual.com>

<http://aubethermostatmanual.com>

Golf course search by state

<http://golfingnear.com>

Email search by domain

<http://emailbydomain.com>

Auto manuals search

<http://auto.somanuals.com>

TV manuals search

<http://tv.somanuals.com>