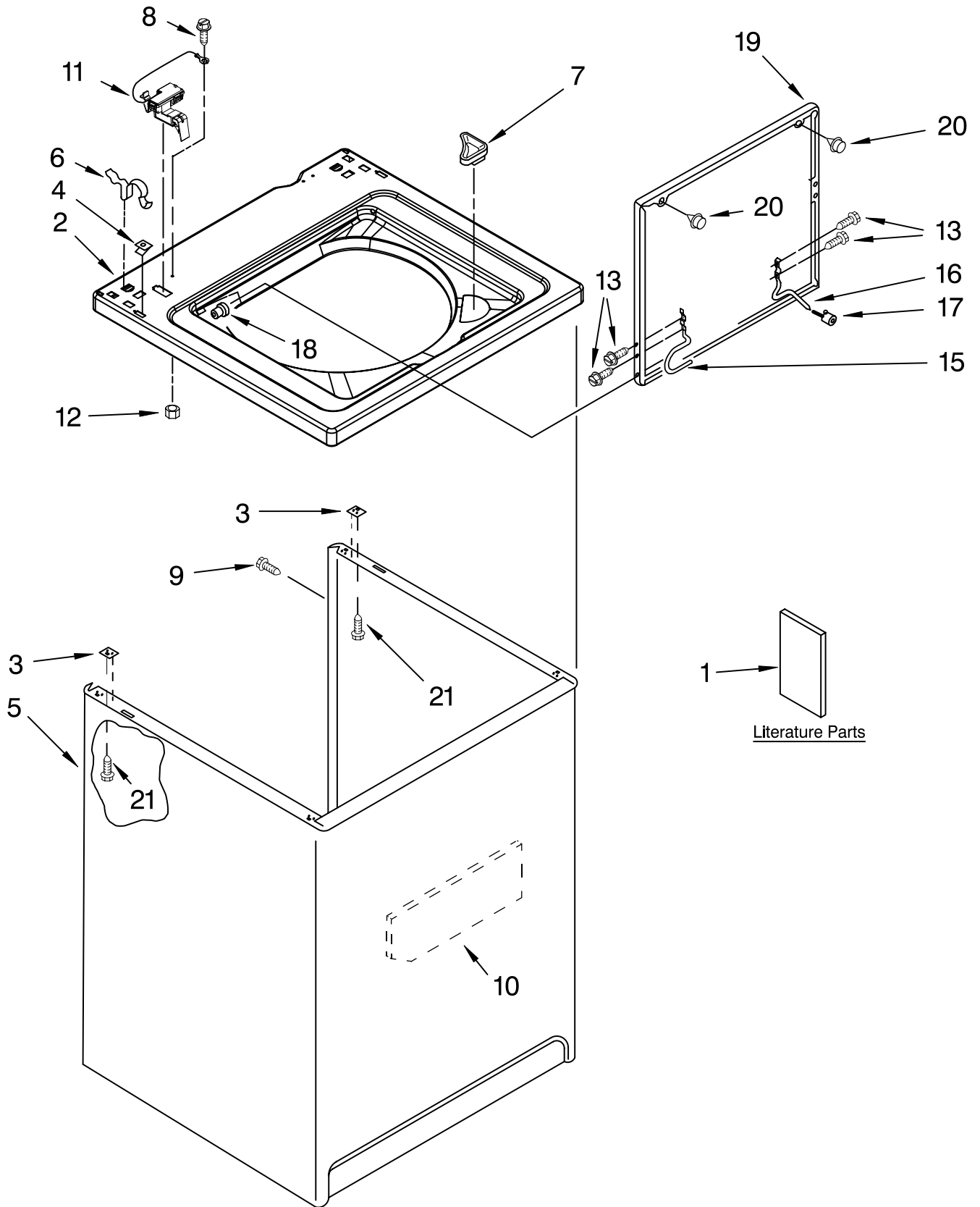




TOP AND CABINET PARTS

For Model: 3RLSQ8000JQ6
(Designer White)

AUTOMATIC
WASHER



FOR ORDERING INFORMATION REFER TO PARTS PRICE LIST

TOP AND CABINET PARTS

For Model: 3RLSQ8000JQ6
(Designer White)

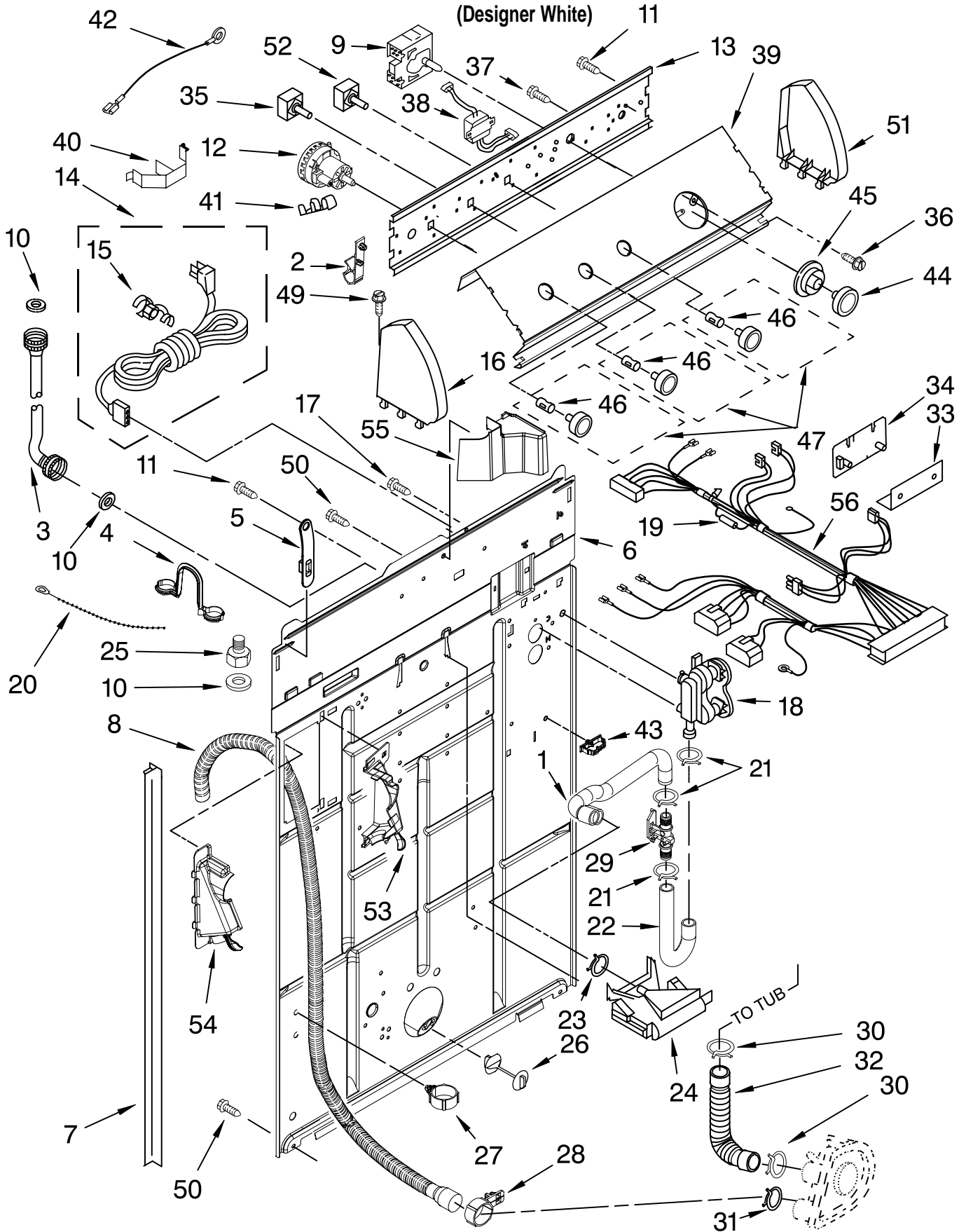
Illus. No.	Part No.	DESCRIPTION
1		Literature Parts
	8316566	Installation Instructions
	8316482	Use & Care Guide
	3954738	Wiring Diagram
	8315975	Installation & User Guide
2	8318064	Top
3	62750	Spacer, Cabinet To Top (4)
4	357213	Nut, Push-In (2)
5	63424	Cabinet
6	62780	Clip, Top & Cabinet & Rear Panel (2)
7	3362952	Dispenser, Bleach
8	3351614	Screw, Ground
9	3357011	Screw, 10-16 x 1/2
10	3976348	Sound Dampener, Cabinet
11	8318084	Switch, Lid
12	8533959	Nut, Hex
13	3351355	Screw, Lid Hinge Mounting (4)
15	8318088	Hinge, Lid (L.H.)
16	54583	Hinge, Lid (R.H.)
17	19119	Bumper, Lid Hinge
18	21258	Bearing, Lid Hinge (2)
19	8541743	Lid
20	9724509	Bumper, Lid (2)
21	3390631	Screw, 10-16 x 3/8 (4)

FOR ORDERING INFORMATION REFER TO PARTS PRICE LIST

CONTROLS AND REAR PANEL PARTS

For Model: 3RLSQ8000JQ6

(Designer White)



FOR ORDERING INFORMATION REFER TO PARTS PRICE LIST

CONTROLS AND REAR PANEL PARTS

For Model: 3RLSQ8000JQ6

(Designer White)

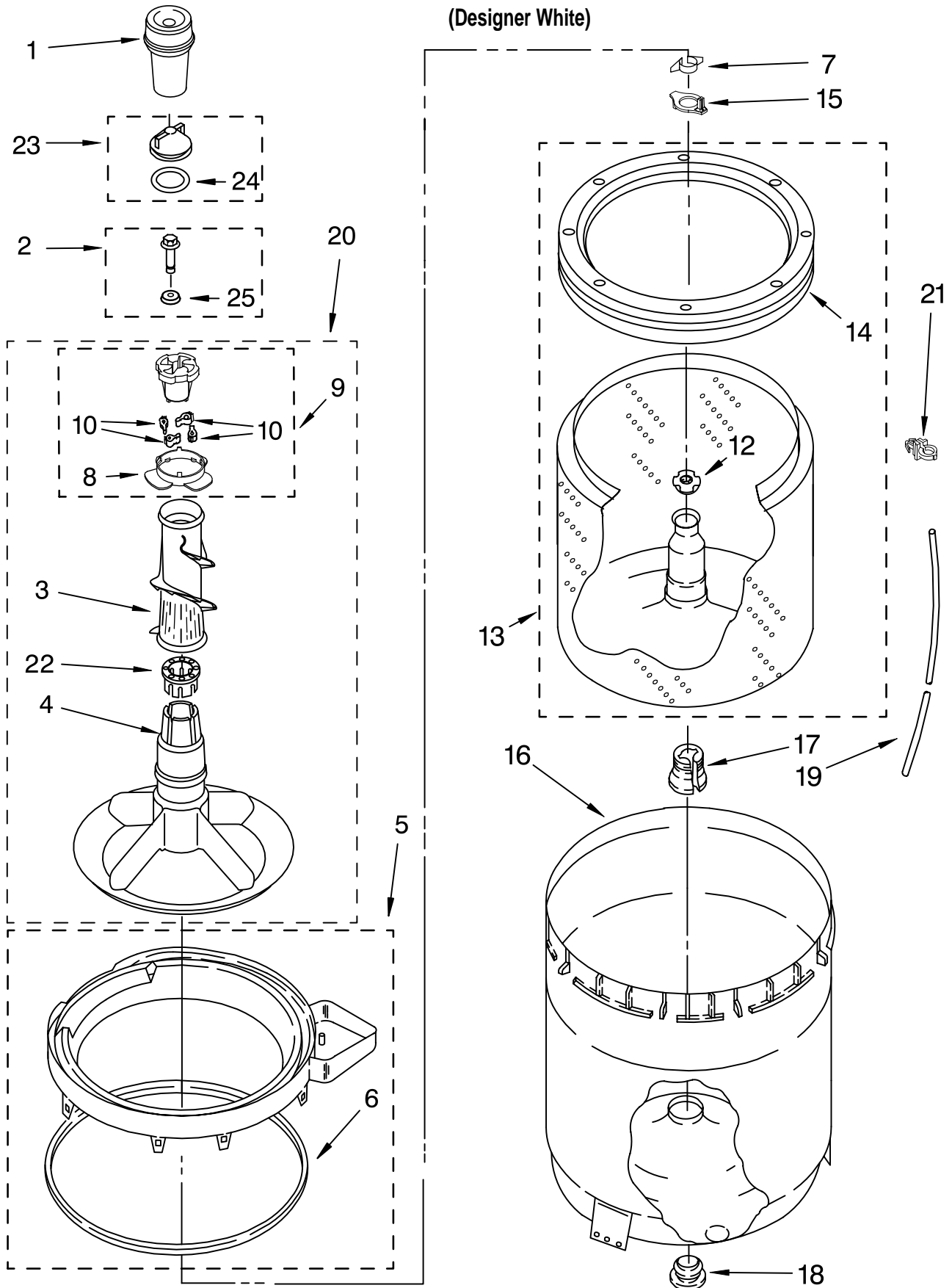
Illus. No.	Part No.	DESCRIPTION	Illus. No.	Part No.	DESCRIPTION	Illus. No.	Part No.	DESCRIPTION
1	3349365	Hose, Sensor (Upper)	18	3360397	Valve, Water Mixing	36	3400818	Screw, Timer Mounting
2	8317975	Retainer, Harness	19	3951198	Fuse (In Harness)	37	3179795	Screw, Ground
3		Hose, Water Inlet	20	3347868	Cable Tie	38	3407160	Transformer
	3949382	Red	21	370451	Clamp, Hose	39	8318786	Panel, Console
	3949383	Blue	22	3357319	Hose, Vacuum Break	40	8055003	Clip, Harness & Pressure Hose
4	8577378	U-Bend, Drain Hose	23	371503	Clamp, Hose	41	357572	Clip, Grounding
5	8568314	Strap, Console (2)	24	387606	Break, Vacuum	42	3398893	Wire, Ground
6	8318015	Panel, Rear	25	3357397	Adapter, Water Inlet Hose	43	3352944	Clip, Harness
7	62747	Pad, Rear Panel	26	8519200	Support, Rear Panel	44	3957824	Knob, Timer
8	8559374	Drain Hose Assembly (Includes Items 27 & 28)	27	8541667	Clamp, Hose	45	3957849	Dial, Timer
9	3954727	Timer, Control (50 Hz.) (Motor Not A Service Part)	28	8541668	Clamp, Hose	46	8536939	Clip, Knob
10	3976300	Washer, Water Inlet Hose (1-1/16 x 5/8)	29	3352282	Sensor, Inline	47	3957799	Knob, Control
11	90767	Screw, 8-18 x 3/8	30	3363366	Clamp, Hose	49	388326	Screw, 8-18 x 1.25 (Panel to Top)
12	3366848	Switch, Water Level	31	8317496	Clamp, Hose	50	62863	Screw, 10-16 x 3/8
13	3948608	Bracket, Control	32	3951449	Hose, Pump To Tub (Includes Item 30)	51	8271363	Cap, End (R.H.)
14	8559415	Cord, Power	33	8316039	Shield, ATC	52	8526791	Switch, Rotary (Temperature)
15	8559337	Strain Relief, Power Cord	34	3407159	Control, ATC	53	8541669	Bucket, Drain Hose (Left Half)
16	8271369	Cap, End (L.H.)	35	3949187	Switch, Rotary (2nd Rinse)	54	8541658	Bucket, Drain Hose (Right Half)
17	3351614	Screw, Ground				55	8314879	Shield, Inlet Valve
						56	3956868	Harness, Wiring (For Detail See Pages 9 & 10)

FOR ORDERING INFORMATION REFER TO PARTS PRICE LIST

AGITATOR, BASKET AND TUB PARTS

For Model: 3RLSQ8000JQ6

(Designer White)



FOR ORDERING INFORMATION REFER TO PARTS PRICE LIST

AGITATOR, BASKET AND TUB PARTS

For Model: 3RLSQ8000JQ6

(Designer White)

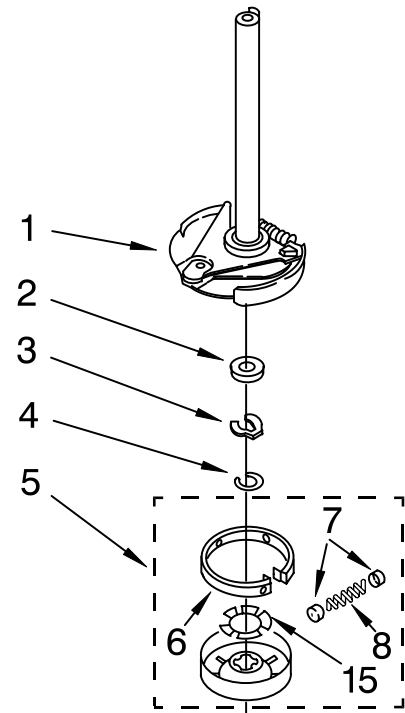
Illus. No.	Part No.	DESCRIPTION
1	63580	Dispenser
2	358237	Screw & Washer (5/16-24 x 1)
3	3363003	Clothes Mover
4	3951632	Agitator
5	8528150	Tub Ring & Gasket
6	3976308	Gasket, Tub Ring
7	3354845	Clip, Agitator
8	3952374	Bearing, Driven Cam
9	3951682	Cam, Driven
10	3366877	Dog, Agitator Clutch (4)
12	21366	Nut, Spanner
13	8526017	Basket & Balance Ring
14	8519788	Balance Ring
15	8543666	Washer, Agitator
16	63849	Tub
17	389140	Block, Basket Drive
18	383727	Gasket, Centerpost
19	3347780	Hose, Pressure Switch
20	3951744	Agitator (Complete)
21	2219077	Clip, Pressure Switch Hose
22	3951608	Spacer, Thrust
23	3354733	Cap, Barrier
24	3348855	Seal, Inner Cap
25	3949550	Washer

FOR ORDERING INFORMATION REFER TO PARTS PRICE LIST

BRAKE, CLUTCH, GEARCASE, MOTOR AND PUMP PARTS

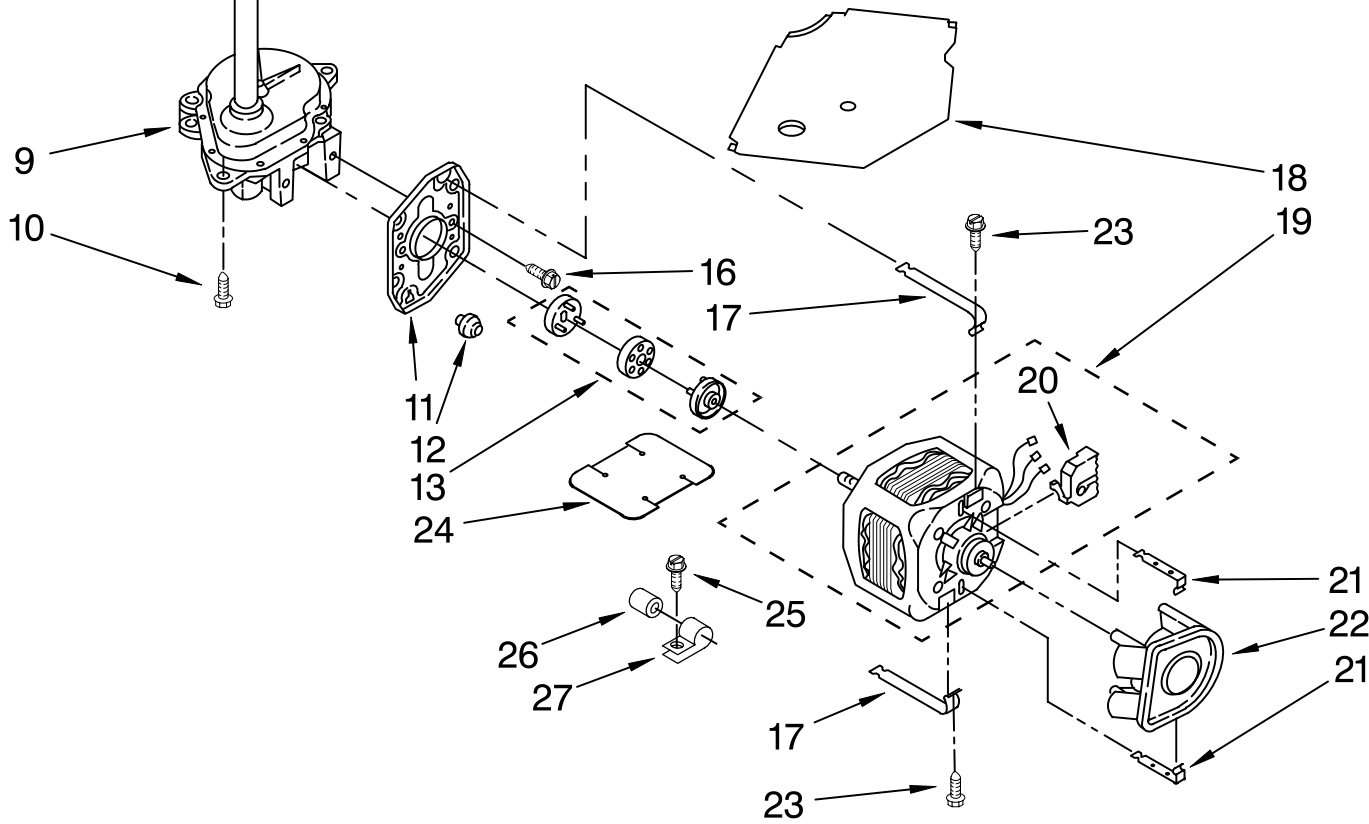
For Model: 3RLSQ8000JQ6

(Designer White)



Illus. No.	Part No.	DESCRIPTION
1	388952	Brake & Drive Tube (Complete) (Refer to Page 11 For Further Breakdown)
2	63292	Washer, Spin Tube Thrust
3	62697	Ring, Spin Tube Support
4	63283	Ring, Retainer
5	3951311	Clutch (Complete)
6	3951308	Band & Lining, Clutch (Includes Items 7 & 8)
7	62646	Cap, Clutch Spring (2)
8	3946792	Spring, Clutch
9	3949118	Gearcase (Complete) (Refer To Page 12 For Further Breakdown)
10	3357334	Screw, Gearcase To Base (3)

Illus. No.	Part No.	DESCRIPTION
11	62611	Plate, Motor Mount To Gearcase
12	62691	Grommet, Motor (4)
13	285753	Coupling, Motor & Isolation
15	3355454	Clip, Anti-Rattle
16	3400516	Screw
17	3349637	Retainer, Motor (2)
18	3362089	Shield, Tub To Motor
19	3950297	Motor, Main Drive
20	8529896	Switch, Main Drive Motor
21	8546127	Retainer, Pump (2)
22	3363394	Pump (Complete)
23	3387485	Screw, 10-16 x 5/8
24	8316060	Shield, Motor
25	62863	Screw, 10-16 x 5/16
26	8572719	Capacitor
27	3949496	Clamp, Capacitor

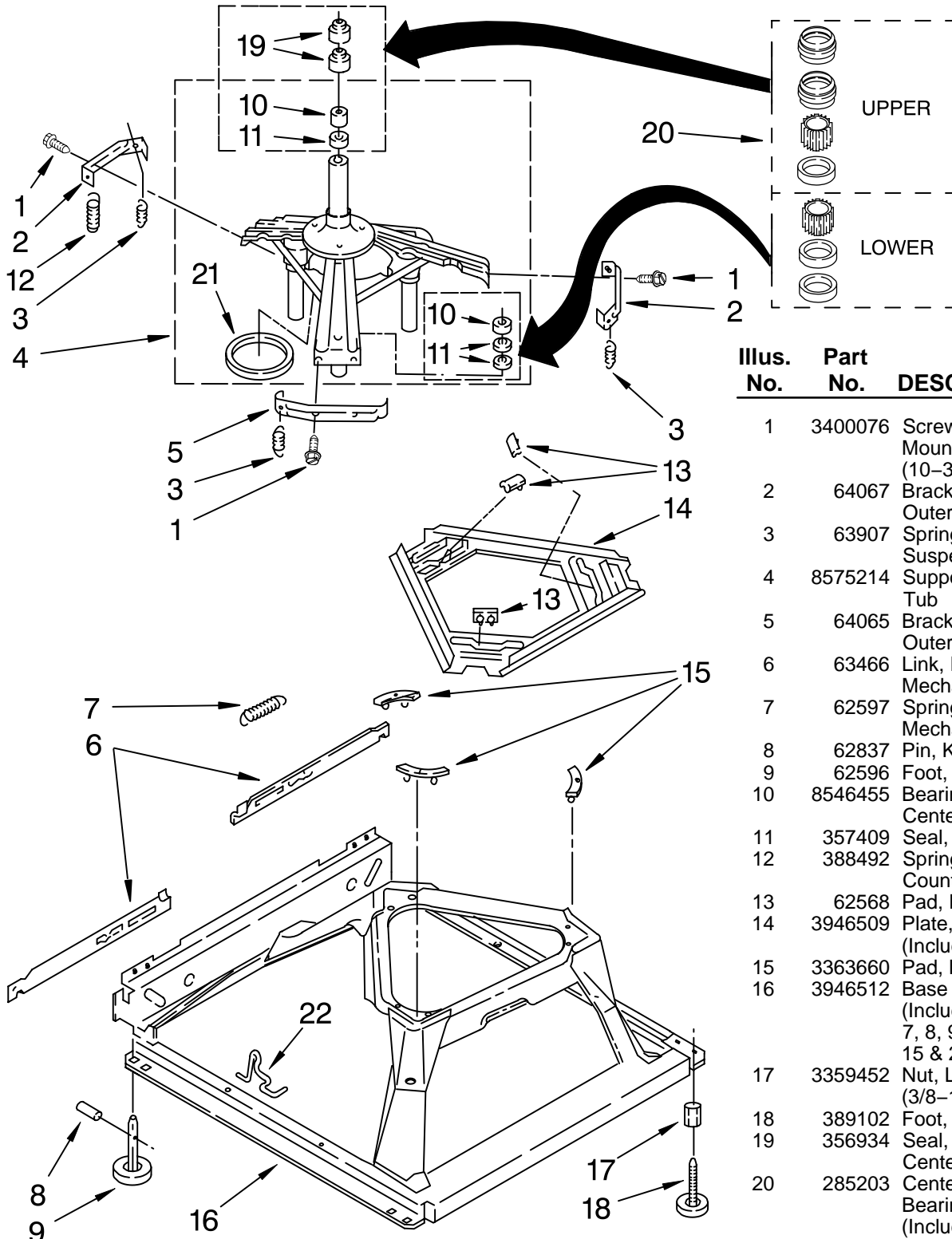


FOR ORDERING INFORMATION REFER TO PARTS PRICE LIST

MACHINE BASE PARTS

For Model: 3RLSQ8000JQ6

(Designer White)



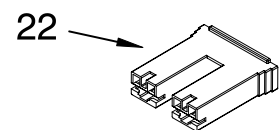
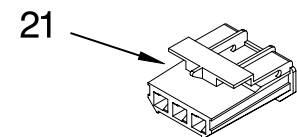
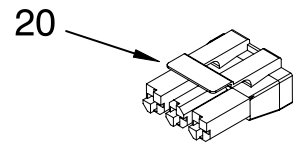
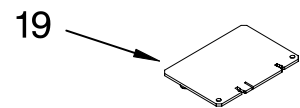
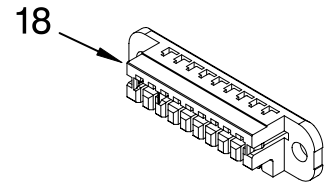
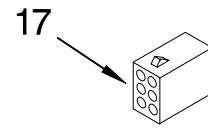
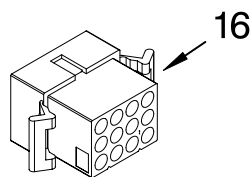
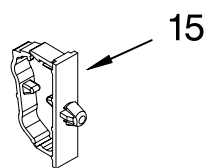
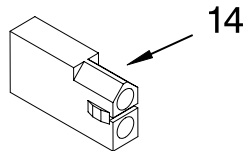
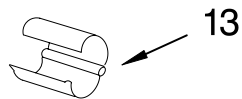
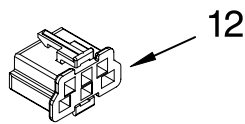
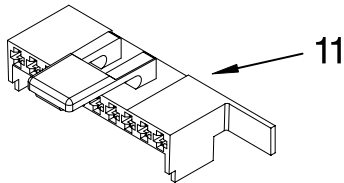
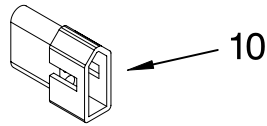
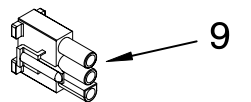
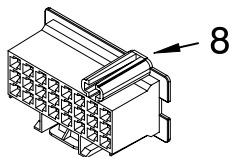
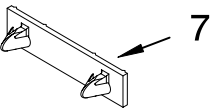
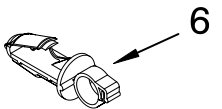
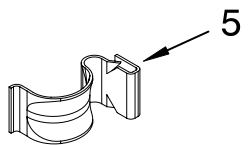
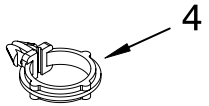
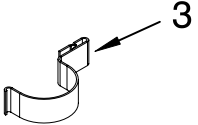
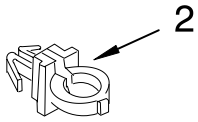
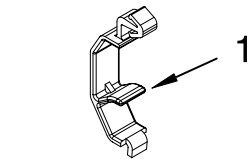
Illus. No.	Part No.	DESCRIPTION
1	3400076	Screw, Bracket Mounting (10-32 x 5/8)
2	64067	Bracket, Spring Outer (2)
3	63907	Spring Suspension, (3)
4	8575214	Support & Brake, Tub
5	64065	Bracket, Spring Outer (L.F.)
6	63466	Link, Leveling Mechanism (2)
7	62597	Spring, Leveling Mechanism
8	62837	Pin, Knurled
9	62596	Foot, Rear (2)
10	8546455	Bearing, Centerpost (2)
11	357409	Seal, Centerpost (3)
12	388492	Spring, Counterweight
13	62568	Pad, Plate
14	3946509	Plate, Suspension (Includes Item 13)
15	3363660	Pad, Base
16	3946512	Base Assembly (Includes Items 6, 7, 8, 9, 13, 14, 15 & 22)
17	3359452	Nut, Lock (2) (3/8-16)
18	389102	Foot, Front (2)
19	356934	Seal, Centerpost (2)
20	285203	Centerpost Bearing Kit (Includes Items 10, 11 & 19)
21	63134	Ring, Sound Deadening
22	63806	Retainer, Suspension Spring

FOR ORDERING INFORMATION REFER TO PARTS PRICE LIST

WIRING HARNESS PARTS

For Model: 3RLSQ8000JQ6

(Designer White)



WH2I

FOR ORDERING INFORMATION REFER TO PARTS PRICE LIST

WIRING HARNESS PARTS

For Model: 3RLSQ8000JQ6

(Designer White)

Illus. No.	Part No.	DESCRIPTION	Illus. No.	Part No.	DESCRIPTION	Illus. No.	Part No.	DESCRIPTION
1	3349557	Clip, Harness	10	353424	Plug, Terminal (3-Way)	17	3347730	Receptacle (6-Way)
2	388498	Clip, Harness			(Power Cord)			(Use Term. 94613)
3	3347812	Clip, Harness			(Use Term.94613)	18	3349494	Connector, Etc
4	3352501	Clip, Harness	11	62505	Block, Disconnect (Motor 2 Speed)	19	3407125	E.T.C. Control
5	90016	Clip, Harness			(Use Term.352088)	20	3948617	Connector (T.P.A.) (3-Circuit)
6	3390496	Clip, Harness	12	3347243	Block, Disconnect (Use Term. 352088)	21	3360056	Connector (T.P.A.) (3-Circuit)
7	389379	Retainer, (Suds Models)	13	63523	Protector			(Pressure Switch)
8		Timer, Block Disconnect	14	717252	Connector (2-Way)	22		Block, Connector
	3948614	White			(Use Term.94614)		3354925	Cold Valve
	352089	Black	15	3352944	Clip, Harness		3354926	Hot Valve
9	62889	Receptacle, Terminal (3-Way) (Lid Switch) (Use Term.94613) Or 94614.)	16	3390423	Block, Disconnect (12-Way) (Timer) (Use Term. 94613)			

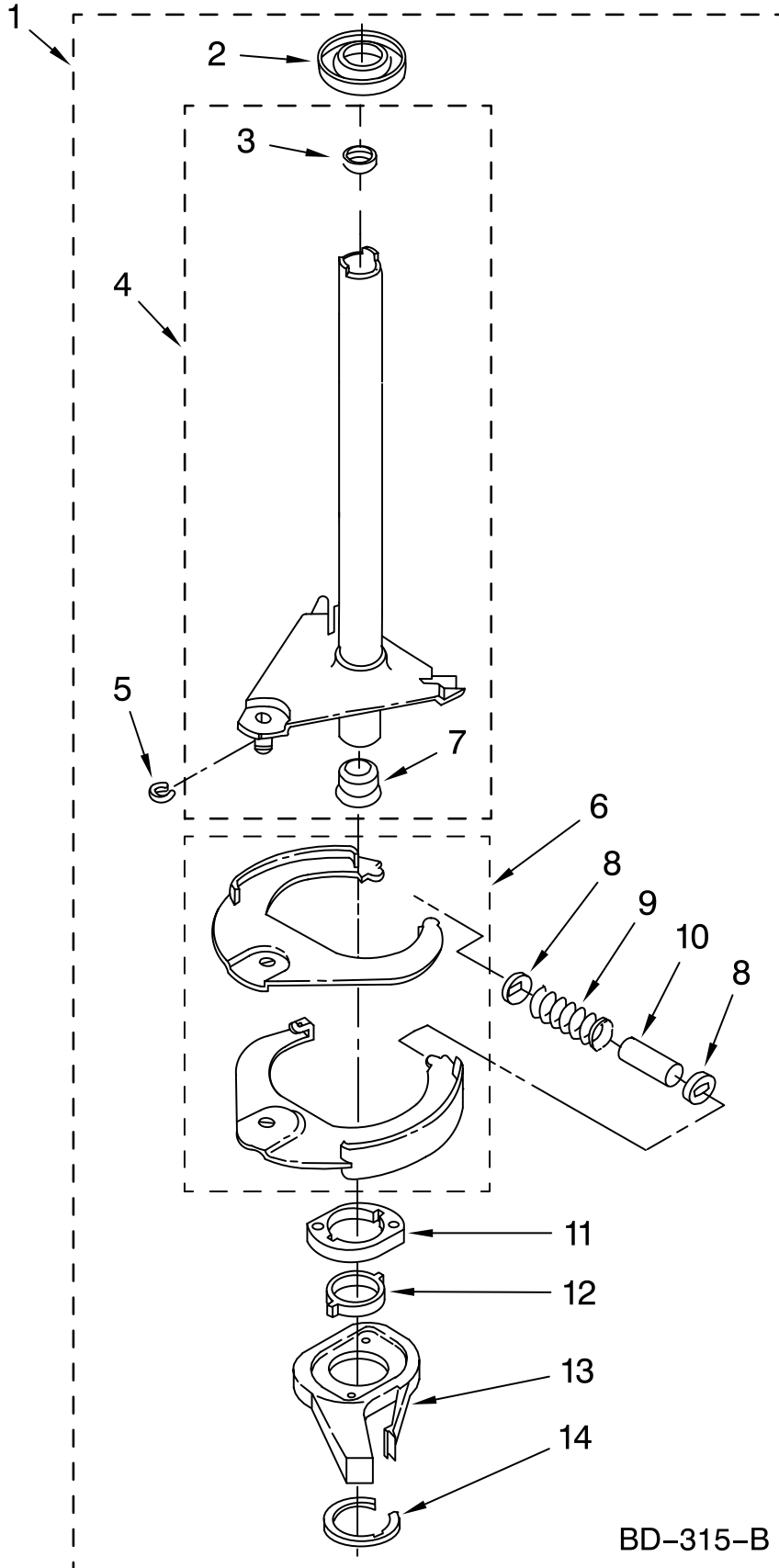
**FOR COMPLETE WIRING HARNESS REFER TO
CONTROL AND REAR PANEL PARTS PAGE**

WH2I

FOR ORDERING INFORMATION REFER TO PARTS PRICE LIST

BRAKE AND DRIVE TUBE PARTS

For Model: 3RLSQ8000JQ6
(Designer White)



Illus. No.	Part No.	DESCRIPTION
------------	----------	-------------

1	388952	Brake And Drive Tube (Complete)
2	62658	Ring, Thrust
3	356427	Seal, Drive Tube
4	64027	Tube, Basket Drive (Includes Illus. 3, 4, 5 & 9)
5	64035	Ring, Retaining
6	64232	Shoe, Brake (2)
7	62703	"T" Bearing, Spin Tube
8	3353956	Cap, Brake Spring (2)
9	387806	Spring, Brake
10	3355360	Sleeve, Brake Spring
11	661516	Cam, Brake Release
12	63022	Sleeve, Cam
13	64194	Driver, Brake Cam
14	90368	Ring, Retaining

FOLLOWING PARTS NOT ILLUSTRATED

285208 Lubricant
(Use Only In Brake Shoe Assembly On Roller & Pin)

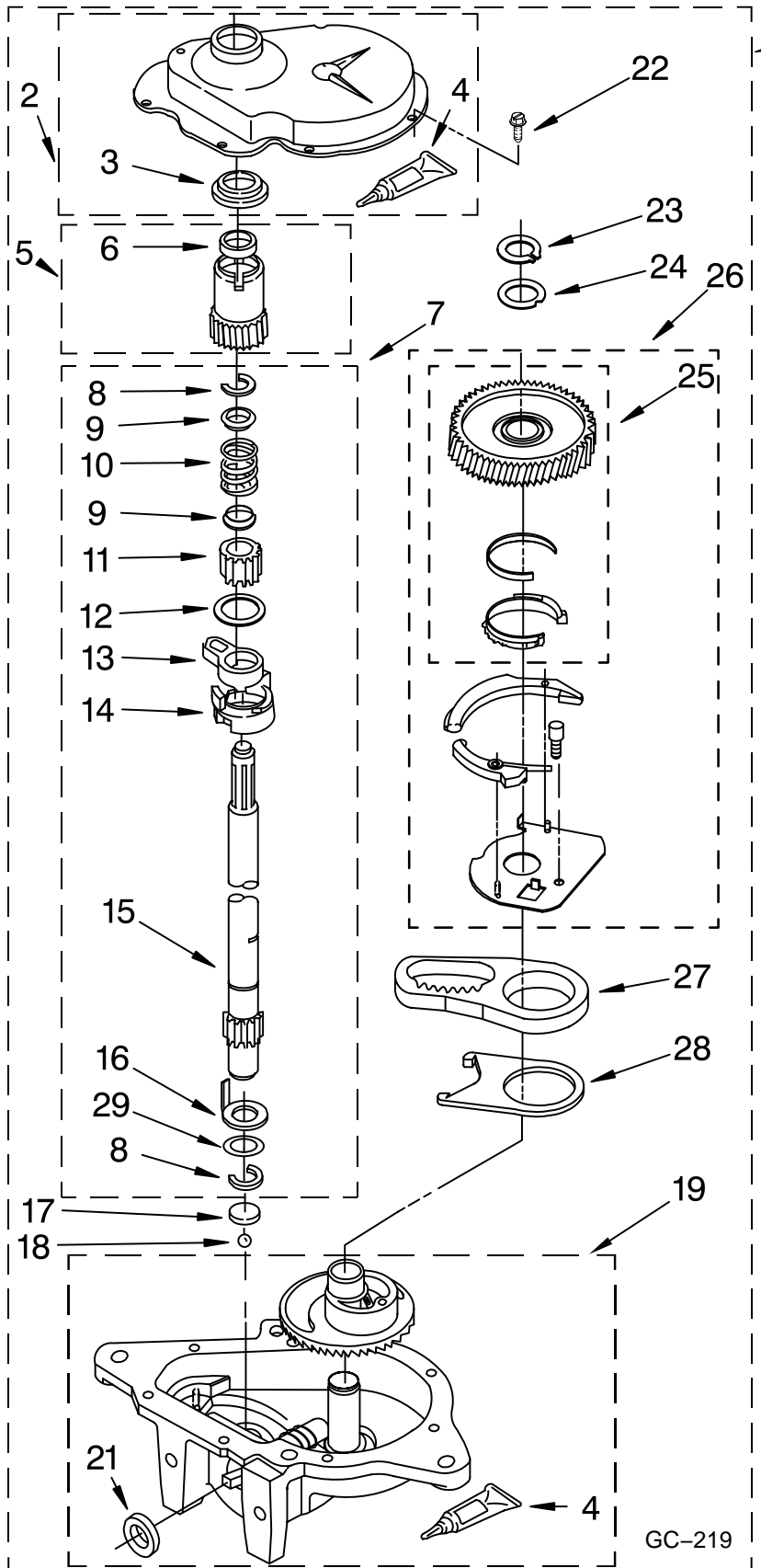
BD-315-B

FOR ORDERING INFORMATION REFER TO PARTS PRICE LIST

GEARCASE PARTS

For Model: 3RLSQ8000JQ6

(Designer White)



Illus. No.	Part No.	DESCRIPTION
1	3949118	Gearcase (Complete)
2	285202	Cover, Gearcase
3	3349985	Seal, Gearcase Cover
4	285195	Sealer, Gasket (.20 Fl. Oz.) (6 ml)
5	63320	Pinion, Spin (Includes Illus. 25)
6	356427	Seal, Spin Pinion
7	389387	Shaft, Agitator (Complete)
8	90369	Ring, Retaining (2)
9	62677	Retainer, Spring (2)
10	62676	Spring, Agitate
11	63273	Gear, Agitate (Includes 15 & 29)
12	62619	Washer, Agitate Gear
13	62580	Cam Follower (Includes 14)
14	62581	Cam, Agitate (Includes 13)
15	285509	Shaft, Agitator (Includes 11 & 29)
16	62618	Washer, Cam Thrust
17	16018	Bearing, Thrust (Includes 18)
18	85529	Ball, Bearing (Includes 17)
19	3366851	Bottom and Pinion Gearcase
21	285352	Seal, Thrust Plug
22	3351614	Screw, Gearcase Cover Mounting (8) (10-24 x 3/8)
23	3362552	Ring, Retaining
24	285735	Washer Kit, Thrust
25	3348567	Gear, Spin
26	285595	Neutral Assembly
27	3349296	Rack, Connecting
28	62621	Actuator, Shift
29	388815	Washer, Intermediate

FOR ORDERING INFORMATION REFER TO PARTS PRICE LIST

OPTIONAL PARTS (NOT INCLUDED)

For Model: 3RLSQ8000JQ6
(Designer White)

Illus. No.	Part No.	DESCRIPTION
-------------------	-----------------	--------------------

PAINT, TOUCH-UP (1/2oz.)

72017 White

PAINT, PRESSURIZED SPRAY (12 oz.)

350938 Primer, Gray
350930 White

PAINT, BULK (1 qt.)

799344 White (Uncut)

OIL

350572 Oil, Gearcase
(16 Oz.)

LUBRICANT

285208 Lubricant (Use
Only in Brake
Shoe Assembly
On Roller and
Pin)

SEALER

285195 Sealer, Gasket
(.20 Fl. Oz.) (6 ml)

ACCESSORY PARTS

367031 Drain Protector
280129 Siphon Break Kit
280130 Drain Hose
Adapter Kit
280131 Drain Hose
Extension Kit

FOR ORDERING INFORMATION REFER TO PARTS PRICE LIST

Free Manuals Download Website

<http://myh66.com>

<http://usermanuals.us>

<http://www.somanuals.com>

<http://www.4manuals.cc>

<http://www.manual-lib.com>

<http://www.404manual.com>

<http://www.luxmanual.com>

<http://aubethermostatmanual.com>

Golf course search by state

<http://golfingnear.com>

Email search by domain

<http://emailbydomain.com>

Auto manuals search

<http://auto.somanuals.com>

TV manuals search

<http://tv.somanuals.com>