

PREMIUM PVL216 / PVL268 / PVL269

Thank you for choosing MB Quart Premium speakers for your car audio sound system. With proper installation, you are on the path to experiencing your music in a way you only imagined possible. Here at MB Quart, we call this "Sound In Every Detail."

The Premium series speakers have been designed for the enthusiast looking for incredible sound and amazing performance. The Premium series speakers feature the following:

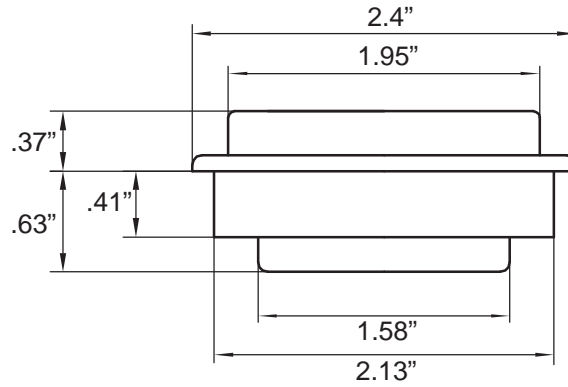
- Convertible Coax/Component Capability
- 40mm Silk Dome Tweeter
- Gold Plated Speaker Terminals
- Active Crossover With Variable Tweeter Attenuation
And Gold Plated Terminals
- Edge Rolled Steel Basket
- Spider Woven Tinsel Leads
- Motor Damping Magnet Cap
- Progressive Long Travel Spider
- Progressive Grill
- High Energy Magnet
- Polypropylene Cone



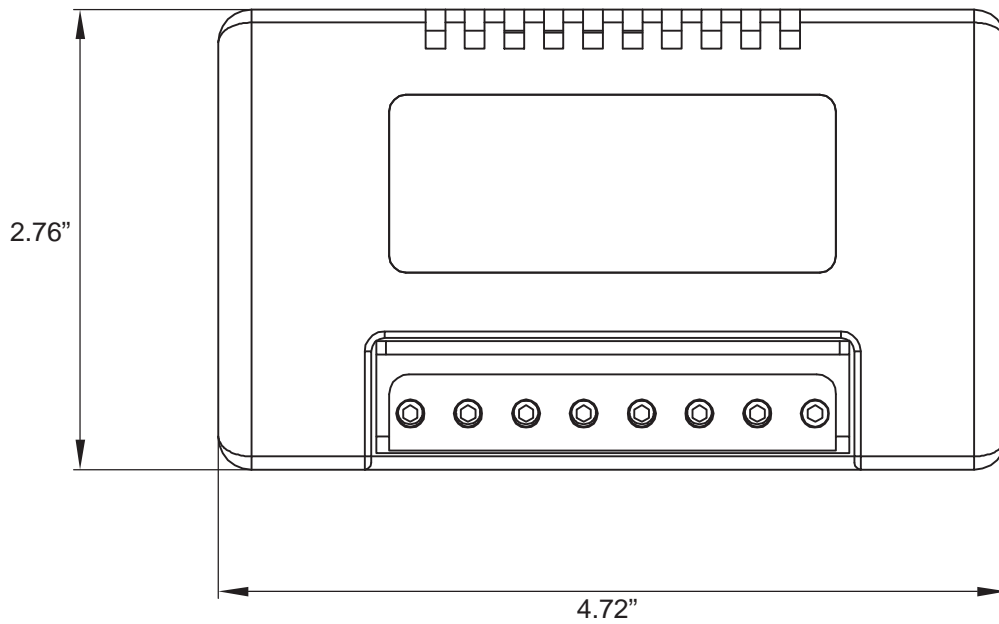
PREMIUM

PVL216 / PVL268 / PVL269

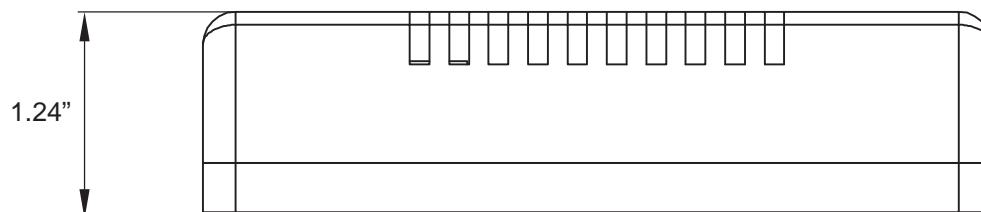
Side View Of PTL-40

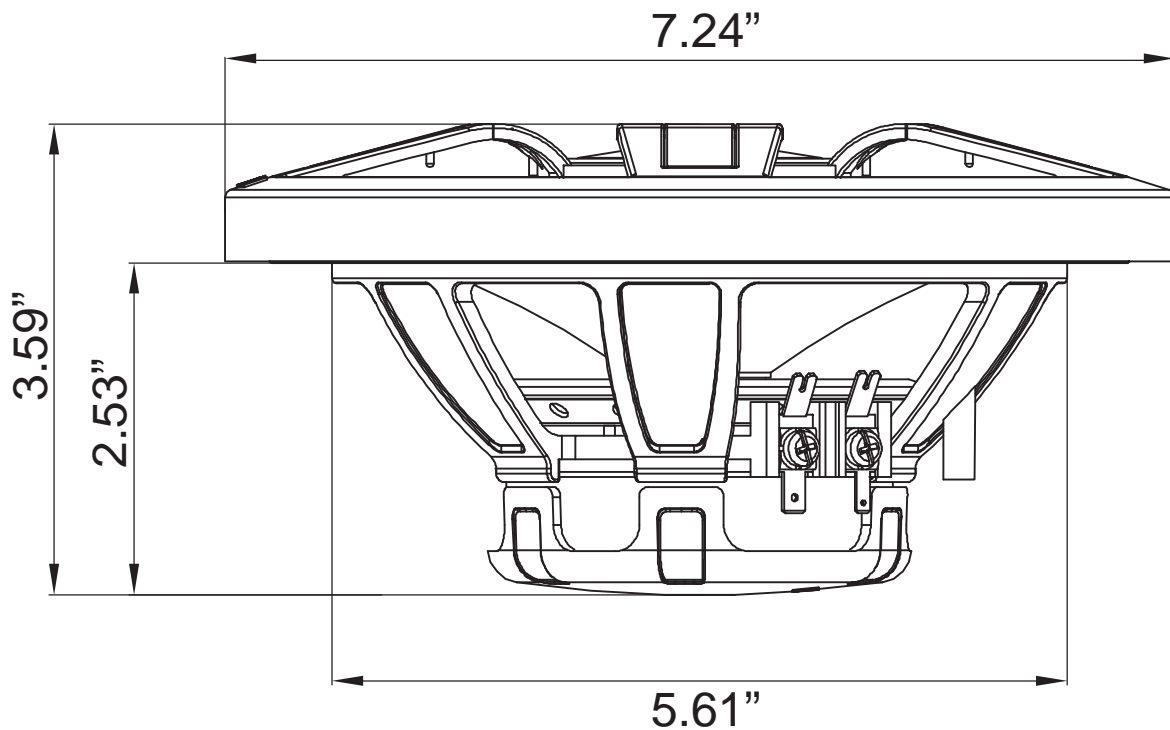


Top View Of PXO



Side View Of PXO





TECHNICAL DATA

Power Rating: 70 W RMS
 Peak Power: 140 W max.
 Impedance: 4 ohms
 Sensitivity: 87 dB (1W/1m)
 Frequency Response: 38 - 32,000 Hz

COMPRISING:

2 Tweeters 40mm / 1.58"
 2 Polypropylene woofers 16cm / 6.5"
 2 X-Overs

DATOS TÉCNICOS

Carga admisible: 70 W RMS / 140W max.
 Impedancia: 4 ohmios
 Potencia de servicio: 87 dB (1W/1m)
 Campo de transmisión: 38 - 32,000 Hz

EQUIPAMIENTO:

2 piezas de 40mm
 para tonos agudos
 2 piezas de 16cm
 para tonos graves

TECHNISCHE DATEN

Belastbarkeit: 70 W RMS
 Impulsbelastbarkeit: 140 W max.
 Impedanz: 4 ohms
 Empfindlichkeit: 87 dB (1W/1m)
 Übertragungsbereich: 38 - 32,000 Hz

BESTÜCKUNG:

2 Hochtöner 40mm / 1.58"
 2 Polypropylentieftöner 16cm / 6.5"

DATI TECNICI

Potenza: 70 W RMS / 140W max.
 Impedenza: 4 ohm
 Sensibilità: 87 dB (1W/1m)
 Risposta in frequenza: 38 - 32,000 Hz

DOTAZIONE:

2 tweeter 40mm
 2 woofer 16cm

CARACTÉRISTIQUES TECHNIQUES

Puissance: 70 W RMS / 140 W max.
 Impédance: 4 ohm
 Rendement: 87 dB (1W/1m)
 Bande passante: 38 - 32,000 Hz

EQUIPEMENT:

2 haut-parleurs d'aigus 40mm
 2 haut-parleurs de graves 16cm

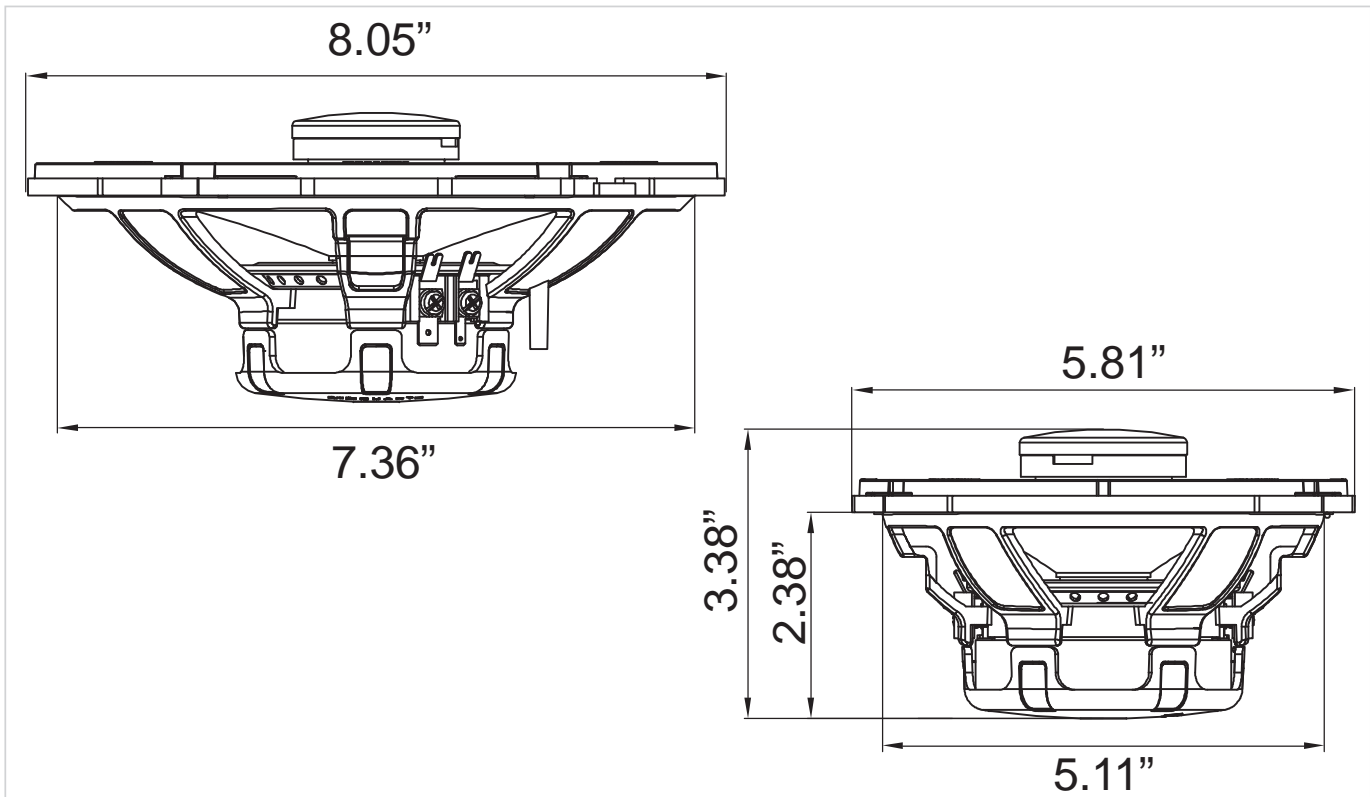
Технические Данные

Нагрузочная способность: 70 Вт RMS
 140 Вт max.
 Импеданс: 4 Ом
 Рабочая мощность: 87 дБ (1Вт/1м)
 Диапазон передачи: 38 - 32,000 Гц

Оснащение:

2 титановых высокочастотных громкоговорителя 40mm
 2 полипропиленовых низкочастотных громкоговорителя 16cm

Subject to technical changes · Technische Änderungen vorbehalten · Sous réserve de modifications techniques · Ci si riservano modifiche tecniche
 Reservados los cambios técnicos · Производитель оставит за собой право на технические изменения



TECHNICAL DATA

Power Rating: 40 W RMS
 Peak Power: 80 W max.
 Impedance: 4 ohms
 Sensitivity: 87 dB (1W/1m)
 Frequency Response: 38 - 32,000 Hz

COMPRISING:

2 Tweeters 40mm / 1.58"
 2 Polypropylene woofers 5x7" / 6x8"
 2 X-Overs

DATOS TÉCNICOS

Carga admisible: 40 W RMS / 80 W max.
 Impedancia: 4 ohmios
 Potencia de servicio: 87 dB (1W/1m)
 Campo de transmisión: 38 - 32,000 Hz

EQUIPAMIENTO:

2 piezas de 40mm
 para tonos agudos
 2 piezas de 5x7" / 6x8"
 para tonos graves

TECHNISCHE DATEN

Belastbarkeit: 40 W RMS
 Impulsbelastbarkeit: 80 W max.
 Impedanz: 4 ohms
 Empfindlichkeit: 87 dB (1W/1m)
 Übertragungsbereich: 38 - 32,000 Hz

BESTÜCKUNG:

2 Hochtöner 40mm / 1.58"
 2 Polypropylentieftöner 5x7" / 6x8"

DATI TECNICI

Potenza: 40 W RMS / 80 W max.
 Impedenza: 4 ohm
 Sensibilità: 87 dB (1W/1m)
 Risposta in frequenza: 38 - 32,000 Hz

DOTAZIONE:

2 tweeter 40mm
 2 woofer 5x7" / 6x8"

CARACTÉRISTIQUES TECHNIQUES

Puissance: 40 W RMS / 80 W max.
 Impédance: 4 ohm
 Rendement: 87 dB (1W/1m)
 Bande passante: 38 - 32,000 Hz

EQUIPEMENT:

2 haut-parleurs d'aigus 40mm
 2 haut-parleurs de graves 5x7" / 6x8"

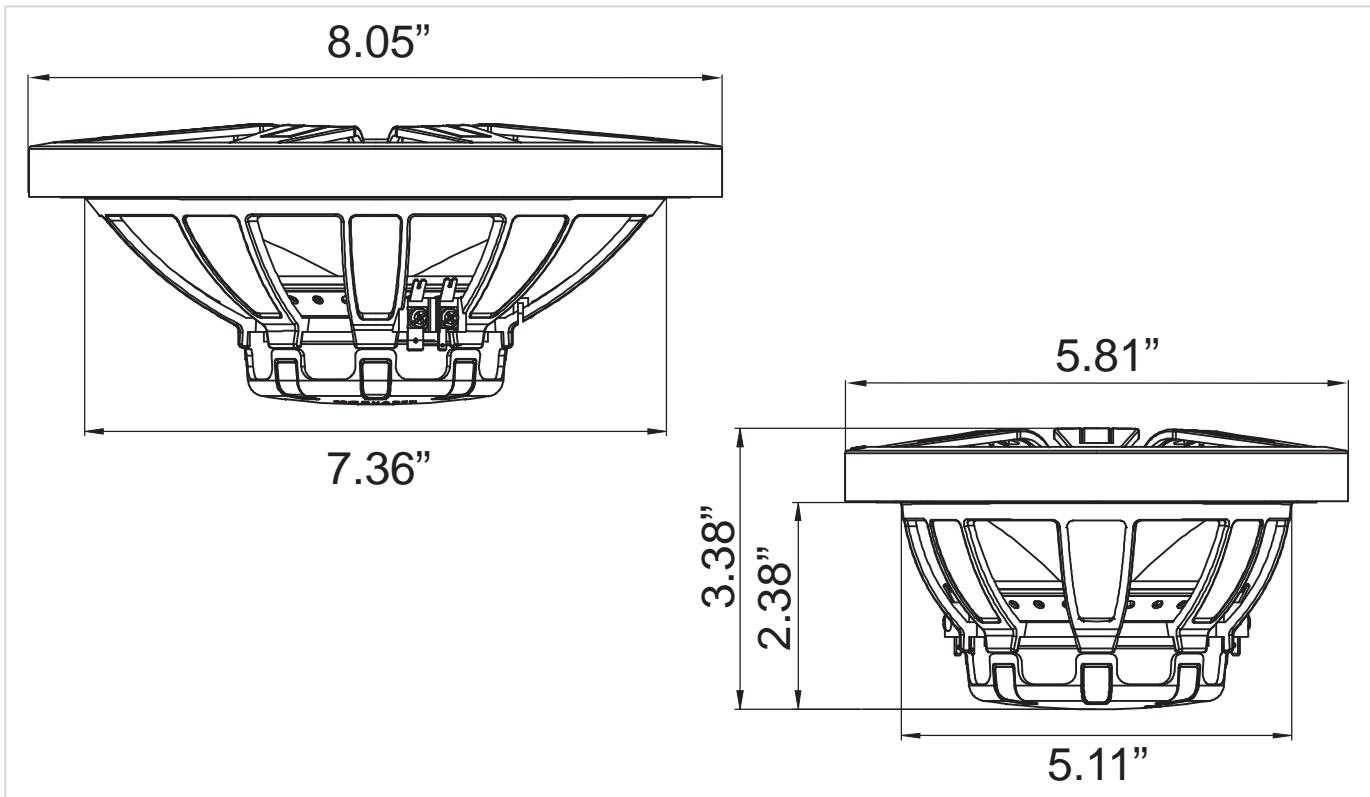
Технические Данные

Нагрузочная способность: 40 Вт RMS
 80 Вт max.
 Импеданс: 4 Ом
 Рабочая мощность: 87 дБ (1Вт/1м)
 Диапазон передачи: 38 - 32,000 Гц

Оснащение:

2 титановых высокочастотных громкоговорителя 40mm
 2 полипропиленовых низкочастотных громкоговорителя 5x7" / 6x8"

Subject to technical changes · Technische Änderungen vorbehalten · Sous réserve de modifications techniques · Ci si riservano modifiche tecniche
 Reservados los cambios técnicos · Производитель оставит за собой право на технические изменения



TECHNICAL DATA

Power Rating: 50 W RMS
 Peak Power: 110 W max.
 Impedance: 4 ohms
 Sensitivity: 88 dB (1W/1m)
 Frequency Response: 32 - 32,000 Hz

COMPRISING:

2 Tweeters 40mm / 1.58"
 2 Polypropylene woofers 6x9"
 2 X-Overs

DATOS TÉCNICOS

Carga admisible: 50 W RMS / 110W max.
 Impedancia: 4 ohmios
 Potencia de servicio: 88 dB (1W/1m)
 Campo de transmisión: 32 - 32,000 Hz

EQUIPAMIENTO:

2 piezas de 40mm
 para tonos agudos
 2 piezas de 6x9"
 para tonos graves

TECHNISCHE DATEN

Belastbarkeit: 50 W RMS
 Impulsbelastbarkeit: 110W max.
 Impedanz: 4 ohms
 Empfindlichkeit: 88 dB (1W/1m)
 Übertragungsbereich: 32 - 32,000 Hz

BESTÜCKUNG:

2 Hochtöner 40mm / 1.58"
 2 Polypropylentieftöner 6x9"

DATI TECNICI

Potenza: 50 W RMS / 110 W max.
 Impedenza: 4 ohm
 Sensibilità: 88 dB (1W/1m)
 Risposta in frequenza: 32 - 32,000 Hz

DOTAZIONE:

2 tweeter 40mm
 2 woofer 6x9"

CARACTÉRISTIQUES TECHNIQUES

Puissance: 50 W RMS / 110 W max.
 Impédance: 4 ohm
 Rendement: 88 dB (1W/1m)
 Bande passante: 32 - 32,000 Hz

EQUIPEMENT:

2 haut-parleurs d'aigus 40mm
 2 haut-parleurs de graves 6x9"

Технические Данные

Нагрузочная способность: 50 Вт RMS
 110 Вт max.
 Импеданс: 4 Ом
 Рабочая мощность: 88 дБ (1Вт/1м)
 Диапазон передачи: 32 - 32,000 Гц

Оснащение:

2 титановых высокочастотных громкоговорителя 40mm
 2 полипропиленовых низкочастотных громкоговорителя 6x9"

Subject to technical changes · Technische Änderungen vorbehalten · Sous réserve de modifications techniques · Ci si riservano modifiche tecniche
 Reservados los cambios técnicos · Производитель оставит за собой право на технические изменения

PREMIUM

PVL216 / PVL268 / PVL269

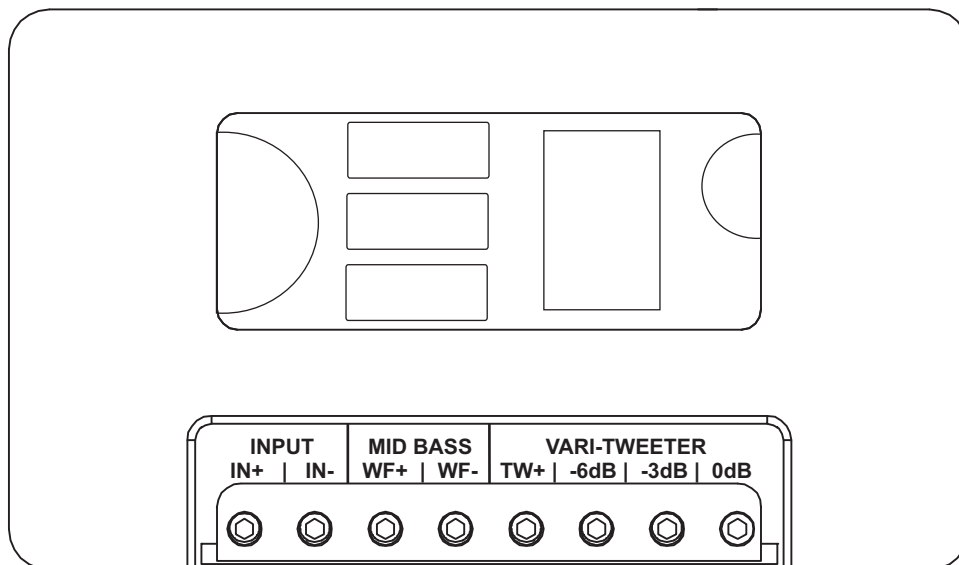
We strongly recommend that you have your new Premium series speakers installed by your authorized MB Quart dealer. The installation professionals employed by your dealer have the necessary tools and experience to disassemble your vehicle, install your new speakers and reassemble everything properly. If you prefer to perform your own installation, it is very important that you read the entire manual first.

GETTING STARTED:

- Turn off the audio system.
- Check clearance on both sides of mounting surface to ensure that there are no obstructions (windows, tracks, wiring etc).

CROSSOVER NETWORK INSTALLATION:

- Locate a dry location for mounting of your Premium Crossover Networks. **DO NOT MOUNT IN DOORS!**
- Remove the cover of the crossover by squeezing either side. This exposes the mounting holes for securing the crossover to a flat surface. *Prior to pre-drilling pilot holes, ensure that you will not be drilling into wiring, gas tanks, fuel lines etc.*
- Once the crossover is mounted, snap the protective cover back in place.



WIRING THE PREMIUM CROSSOVER

INPUT

IN+: Connect positive speaker wire from radio or amplifier.

IN-: Connect negative speaker wire from radio or amplifier.

MID BASS

WF+: Provides positive output to midrange speaker.

WF-: Provides negative output to midrange speaker.

VARI-TWEETER

TW+: Provides positive output to tweeter.

-6dB: Provides negative output to tweeter at -6dB.

-3dB: Provides negative output to tweeter at -3dB.

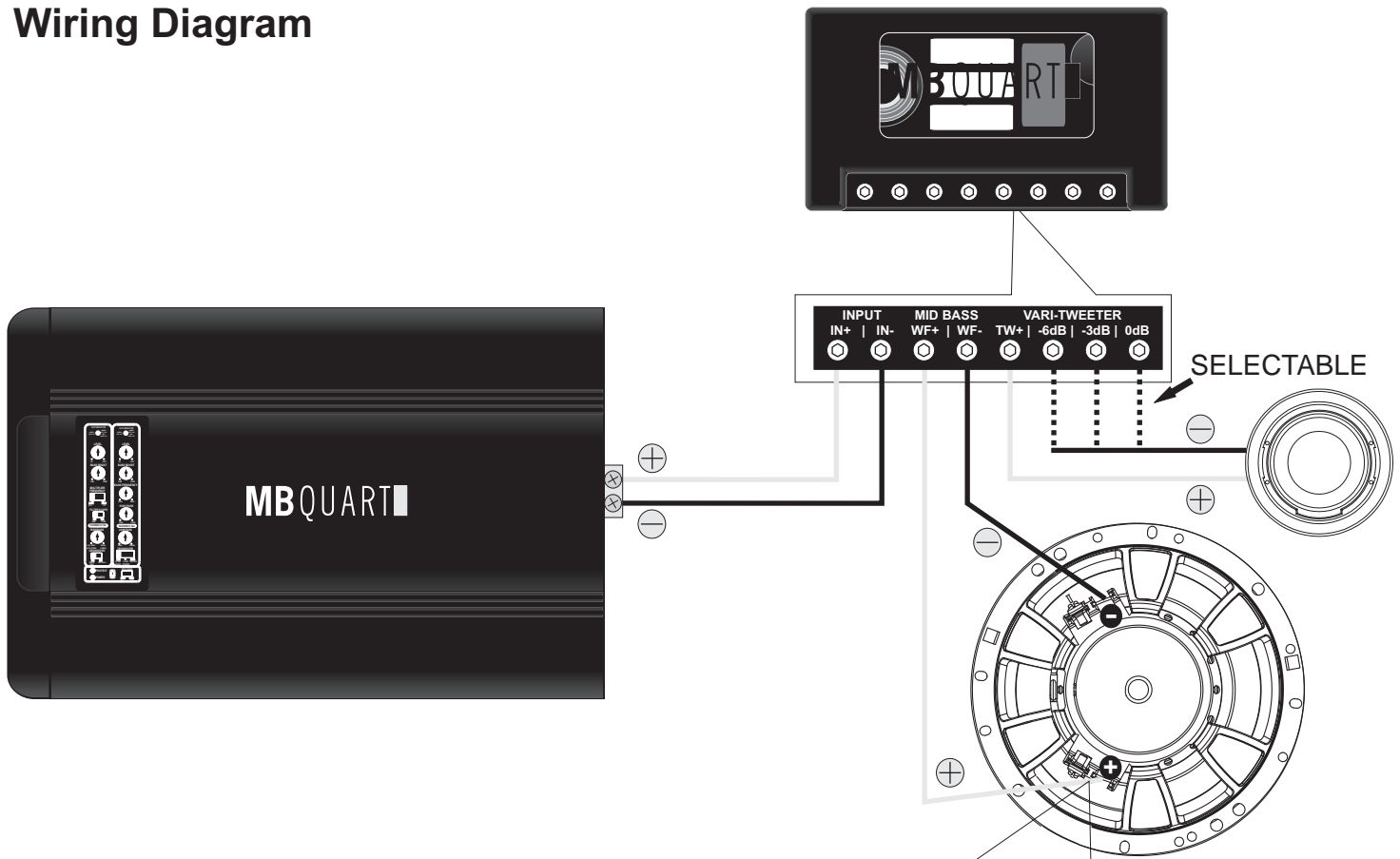
0dB: Provides negative output to tweeter with no manipulation.

The negative connection under the VARI-TWEETER section allows for varied degrees of tweeter attenuation. Only connect to one negative terminal with the understanding that 0dB is no manipulation and the loudest selection for tweeter output, -6dB is the quietist selection for tweeter output and -3dB is in the middle.

PREMIUM

PVL216 / PVL268 / PVL269

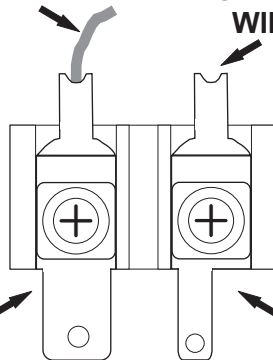
Wiring Diagram



VERY IMPORTANT

TINSEL TO
MID BASS

NO TINSEL
WIRE



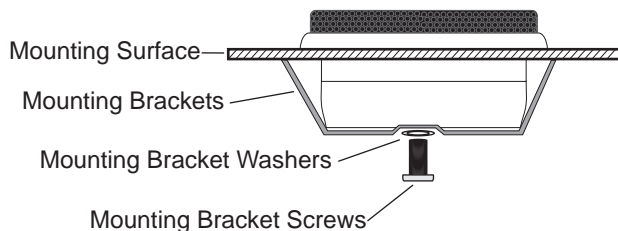
CONNECT "WF" WIRE FROM
CROSSOVER TO THE SPADE
OR SCREW DOWN TERMINAL
WITH TINSEL WIRE TO
MID BASS

*(The above illustration shows the positive terminal view.
The negative terminals are opposite.
Be sure to identify the tinsel wire for your mid bass.)*

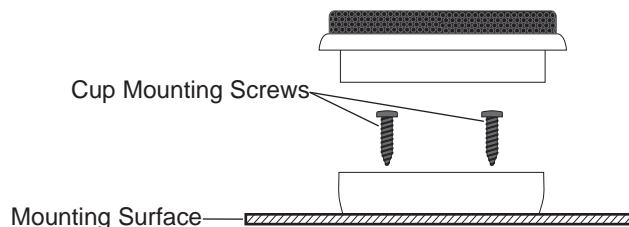
IF THE TWEETER IS MOUNTED AS
A COAXIAL IN THE CENTER OF
THE MID BASS, CONNECT THE
WIRE FROM THE TWEETER TO
THE SCREW CLAMP WITHOUT
TINSEL WIRE. THEN CONNECT
"TW" WIRE FROM CROSSOVER
TO THE SPADE OR SCREW
DOWN WITHOUT TINSEL WIRE

Tweeter Mounting Options Separate From Mid Bass (Component)

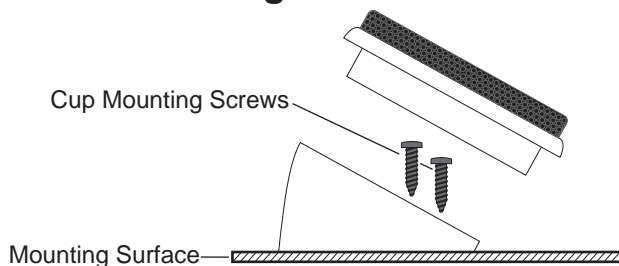
Flush Mount Method



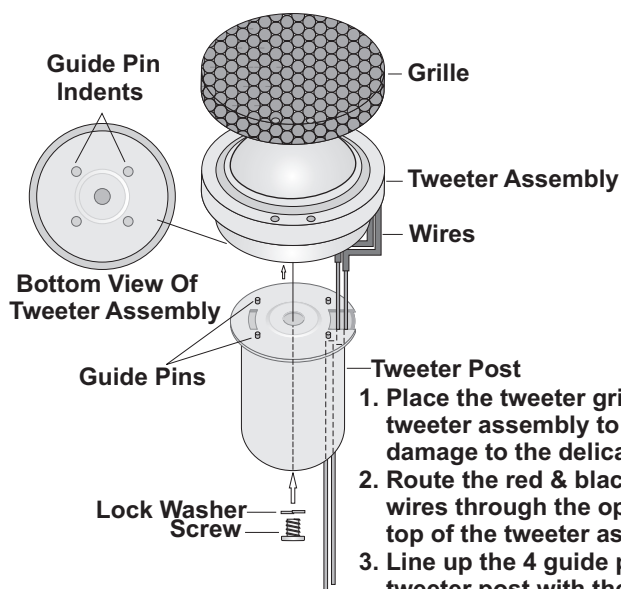
Top Mounted Method



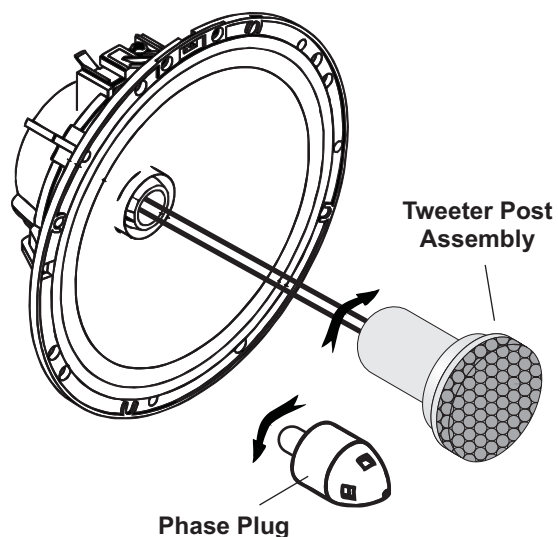
Surface Angle Mount Method



Tweeter Mounting In The Center Of The Mid Bass (Coaxial)



1. Place the tweeter grille onto the tweeter assembly to prevent damage to the delicate silk dome
2. Route the red & black tweeter wires through the opening in the top of the tweeter assembly
3. Line up the 4 guide pins on the tweeter post with the 4 indents on the bottom of the tweeter assembly
4. Fasten the tweeter post to the tweeter assembly using the provided screw and lock washer



1. Un-screw the phase plug by turning counter-clockwise and remove
2. Route the tweeter wires through the center of the speaker until they come out the back of the speaker
3. Screw the tweeter post assembly clockwise until snug

PREMIUM

PVL216 / PVL268 / PVL269

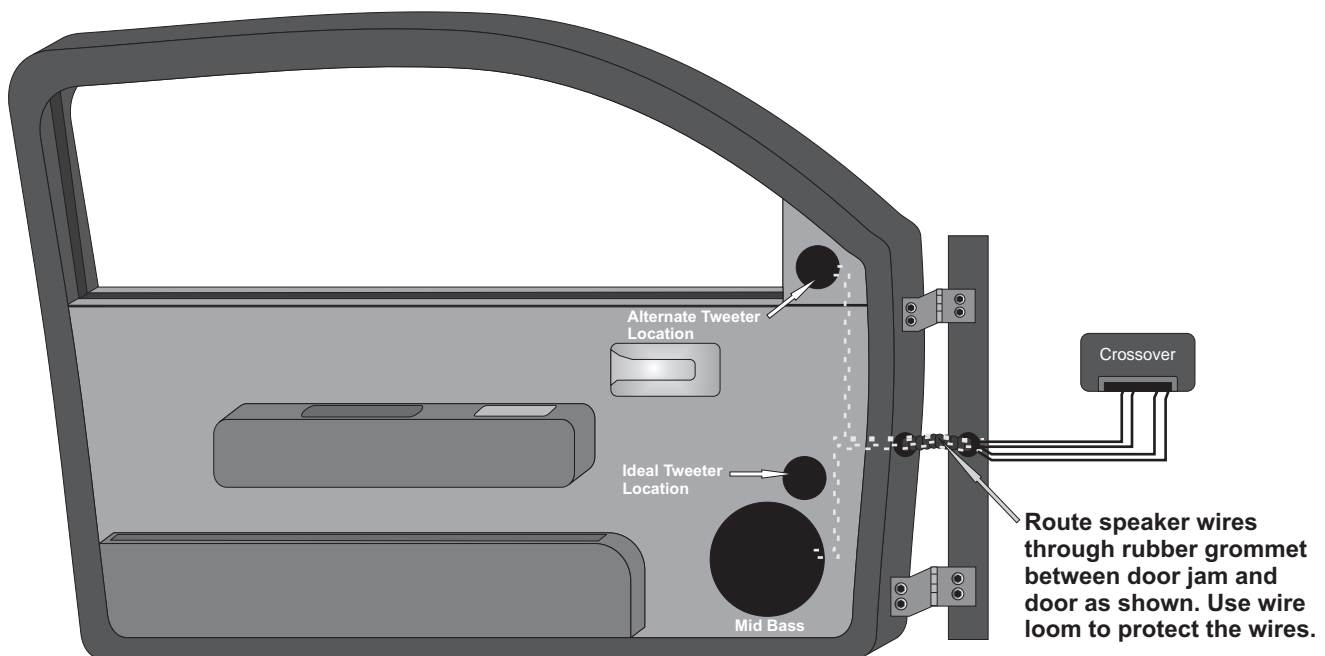
Speaker, Tweeter and Crossover Placement Options:

Factory sound systems vary greatly. Some systems have coaxials (tweeter fixed in the center of the midrange) in the door, while others have factory component (tweeter is separate from midrange) systems. If your system has the factory component offering then you will want to locate your factory tweeter mounting location and compare it to the diagram below. Some vehicles already have the tweeter in the ideal location, while others often position the tweeter in the top corner of the door pane which is less than ideal. A good rule of thumb is to try and mount the tweeter within 8 inches of the midrange woofer for optimal imaging and tonal balance. When selecting an optimal mounting location, ensure that you are clear of any obstructions within the door. Cutting or drilling into moving parts or electrical accessory wires can be very dangerous and costly.

Woofers should typically be installed in the factory locations. Simply ensure that the new woofer will not obstruct the window or other moving parts in the door.

The Crossover should **NEVER** be mounted in the shell of the door. This can damage the crossover through vibration and moisture which is **NOT** covered under warranty. The Crossover can be mounted in a kick panel, under a seat or in the trunk as long as the area is not located near any moving parts in the vehicle which could cut or pull the wires resulting in a short circuit.

All wiring to and from the crossover should avoid all moving parts in the vehicle which could potentially damage the wiring. Take great care when running wires through the door frame and into the door as wires can easily be cut. A rubber grommet should be used on both holes and wire loom should be wrapped around the exposed wires as shown in the diagram below.



MAXXSONICS USA, INC.
1290 Ensell Road
Lake Zurich, Illinois 60047 USA
E-Mail info@maxxsonics.com
Website www.maxxsonics.com
www.mbquart.com



PREMIUM PVL216 / PVL268 / PVL269

WARRANTY

As the manufacturer of MB QUART car audio products, Maxxsonics USA Inc. warrants to the original consumer purchaser of the product to be free from defects in material and workmanship for one(1) year from the date of purchase.

This product meets the current EU minimum warranty requirements, if purchased in countries of the EU.

To ensure your warranty policy, keep your original receipt proving date of purchase.

All other parts and accessories sold with this product are warranted to be free from defects in materials and workmanship for one(1) year from the date of purchase. Maxxsonics will repair or replace at it's option and free of charge during the warranty period, any system component that proves defective in materials and workmanship under normal installation, use and service provided that the product is returned to the authorized MB QUART dealer from where it was purchased.

A photo copy of the original receipt must accompany the product being returned. In the absence of the above, the warranty is one(1) year from the date of manufacture.

There is no warranty for Unauthorized Internet Sales.

Any damage to the product as a result of misuse, abuse, accident, incorrect wiring, improper installation, alteration of the date code or bar code labels, revolution, natural disaster, or any sneaky stuff because someone messed up, repair or alteration outside of our factory or Authorized Service Centers and anything else you have done that you should not have done is NOT covered.

This warranty is limited to defective parts and specifically excludes any incidental damages connected therewith. This warranty is not construed as an insurance policy.

Warranty on installation labor, removal, re-installation and freight charges are not the responsibility of Maxxsonics USA Inc.



MAXXSONICS®

MBQUART® AUTOTEK®

HIFONICS® CRUNCH®

Free Manuals Download Website

<http://myh66.com>

<http://usermanuals.us>

<http://www.somanuals.com>

<http://www.4manuals.cc>

<http://www.manual-lib.com>

<http://www.404manual.com>

<http://www.luxmanual.com>

<http://aubethermostatmanual.com>

Golf course search by state

<http://golfingnear.com>

Email search by domain

<http://emailbydomain.com>

Auto manuals search

<http://auto.somanuals.com>

TV manuals search

<http://tv.somanuals.com>