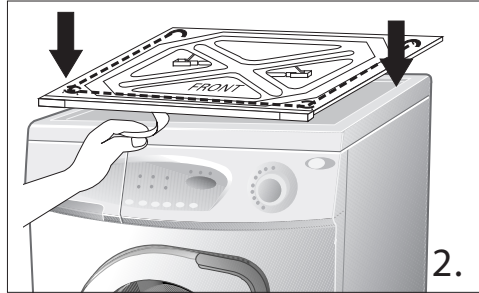


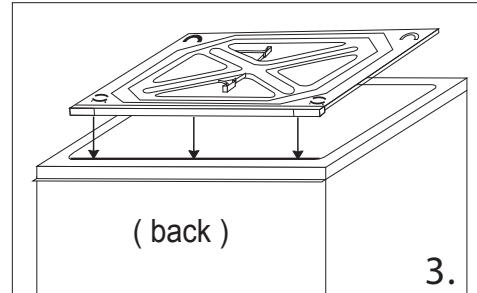
STACKING KIT INSTALLATION



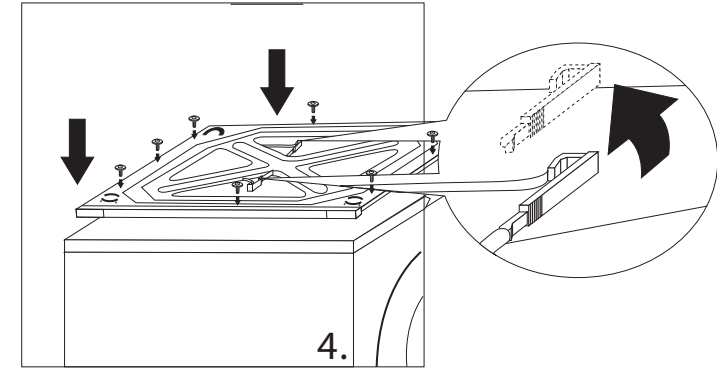
1) Position the unit on a level surface, capable of supporting the entire weight of the dryer. Remember that the unit will be heavier when it is fully loaded. Clean the surface where the stacking kit is going to be installed. Place the mounting bracket on the Washer as indicated.



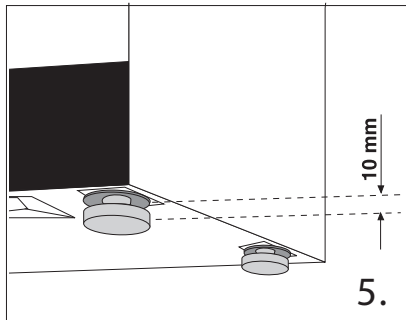
2) Remove the 2 plastic covers (shown in figure 6) attached to the middle of the stacking kit, and save these for later use. Remove the double back tape and firmly attach the stacking kit the top of the washer to assure the proper seal. Make sure the word FRONT printed on the stacking kit is facing forward as shown above.



3) Put back edge of stacking kit to back mold line of washer's top cover and tighten the screw.



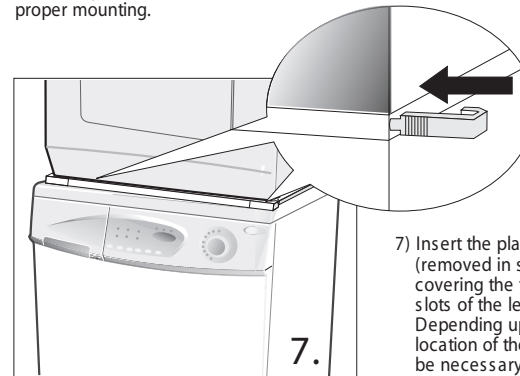
4) Install all 7 screws provided with a power drill and tighten the stacking kit to the unit base securely.



5) Your Dryer is equipped with 4 leveling legs. Make sure they are lowered 10 mm, so there is a gap between the legs and the dryer base.



6) Gently push the dryer into position as indicated in figure 5 & 6, sliding the unit into the slots provided. It is important that the dryer is level. Make sure all four leveling legs are pushed all the way back into the slots to ensure proper mounting.



7) Insert the plastic covers (removed in section 2) covering the two front slots of the leveling legs. Depending upon the location of the unit, it may be necessary to change the side on which the dryer door opens.



8. DC68-01052A

Free Manuals Download Website

<http://myh66.com>

<http://usermanuals.us>

<http://www.somanuals.com>

<http://www.4manuals.cc>

<http://www.manual-lib.com>

<http://www.404manual.com>

<http://www.luxmanual.com>

<http://aubethermostatmanual.com>

Golf course search by state

<http://golfingnear.com>

Email search by domain

<http://emailbydomain.com>

Auto manuals search

<http://auto.somanuals.com>

TV manuals search

<http://tv.somanuals.com>