

Perfection
in design and
performance.



THAT'S BETTER.



Built Strong to Last Long.

It has taken 100 years to reach the point of perfection.
Now you can enjoy all the benefits.

Back in the 1890's, Fredrick Louis Maytag was a 16 year old field hand dreaming of creating safe, labour saving tools to do the work traditionally carried out manually. Today, well over 100 years later, his surname has come to embody all that's best in high quality, hi-tech American design. In the USA, Maytag is the number one brand for laundry. A byword for panache and performance, form and function, elegance and efficiency... the name behind the most desirable range of home appliances, chosen by discerning customers across the whole continent. After a century of inspired advancement and ground breaking innovation, Maytag has reached the highest standard ever - combining time-honoured craftsmanship with outstanding new technology and the ultimate in sophisticated styling. Laundry, dishwashing and refrigeration as you have never known it before.

It's time for you to enjoy all the benefits... with a range of appliances that enhance your home, and perfectly compliment your lifestyle. That's Maytag... that's better.



'Stylish,
smart - with
inspired ideas
for the way
we live'
That's better

THAT'S BETTER



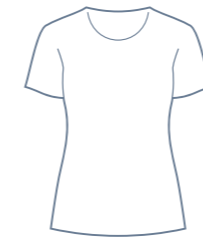
Design classics to suit your style...and your home.

Maytag sets new standards in contemporary home appliances, ushering in a new age of design classics with stunning style and inspirational innovation throughout the range.

From the world's largest capacity dishwasher to a totally new laundry room concept and the very best in refrigeration, Maytag presents you with an outstanding choice of options... perfectly suiting your personal style, the way you live and the way you want your home to look. Maytag is everything you've been looking for, and more. Appliances which reflect your values and perform beyond your expectations, with features that take you to a new level of convenience and style. And all with professional quality throughout, to bring you the highest level of performance, capacity, reliability and durability.

"The Maytag range answers all our changing needs. And more."
That's better

THE RANGE



THE TOTAL LAUNDRY ROOM CONCEPT



Washer MWA 0718FIB, Dryer MTD 07SCFIB, Drying Cabinet DC7171 shown

Maytag reinvents the laundry room with a totally new concept - an integrated yet almost infinitely flexible design, incorporating every element into a stylish, clutter free and ultra-functional multi-purpose module. Washer and dryer, drying cabinet, ironing, storage, and a whole host of hidden helpers... at last, thanks to Maytag, your laundry room can be as stylish and attractive as your kitchen or bathroom.



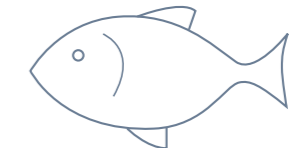
STYLISH DESIGN, SPACIOUS DISHWASHING



MDW 171TN shown

Now there's a range of dishwashers which perfectly suits your lifestyle. An XXL¹ design with the capacity for 17¹ full place settings in a single load... simply ideal for larger households and dinner parties, yet taking up no more room than a standard dishwasher. Just one of an outstanding range of new-generation dishwashers with clever, functional features, superb performance - and supremely stylish design.

¹ IEC standard testing is carried out with 12 place settings



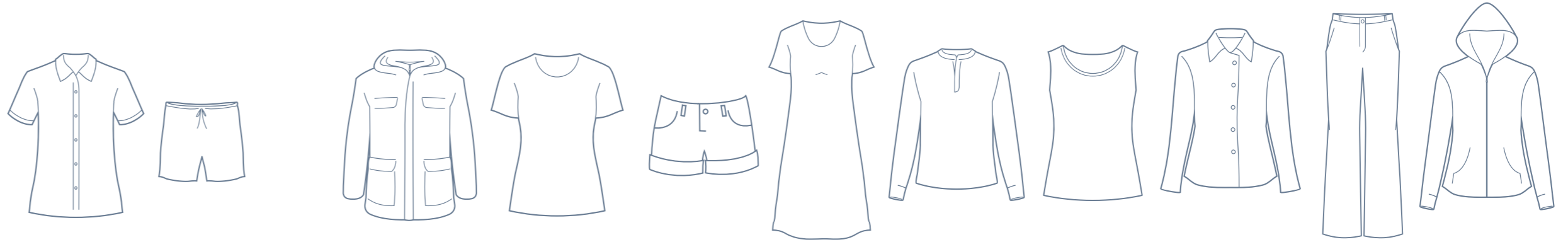
STUNNING REFRIGERATION INNOVATION



SOV028TB shown

Inspiration in refrigeration... smart, sleek design that's big on features and efficiency. Packed full of clever innovations, the Maytag range of side by side refrigeration units (excluding Trilogy SOV028TB), uses IntelliSense[®] technology to make sure fresh food is always at the perfect temperature... delivers chilled water and ice on demand... and gives you easy access to everything in the freezer. That's not just cool. That's Maytag cool.

Washer, dryer, drying cabinet, storage, sorting unit, ironing, all in one.



All you need for the perfect laundry room, all in one stylish space, and all without clutter and mess. The total laundry room concept totally transforms the thinking behind traditional utility rooms... taking all the functions, and more, and combining them in a stunning ultra-modern modular design.

Co-ordinating to perfection, appliances and cabinets come together in perfect harmony of form and function. Sleek and sophisticated looks, open up to reveal a stunning array of smart and innovative ideas. Integrity of design is complemented by impressive performance throughout, from the very latest in washers and dryers to the ultimate in drying cabinets. There's cleverly designed storage space for clean and dirty laundry... and even the ironing board is integrated, sliding out smoothly from its hidden space. This is the complete solution, the laundry room of the future... today.

The laundry room concept washers, dryers and accessories

Drying cabinets	P12
Washing machines	P18-19
Dryers	P22

Other machines in the Maytag range

Premium Series 60	P24
Super capacity machines	P24
US Style laundry	P26

Laundry specifications	P46-49
------------------------	--------

Hidden helpers	P14-15
----------------	--------

THE TOTAL LAUNDRY ROOM CONCEPT

'Perfect laundry every time. With none of the clutter.'
That's better



All of your laundry, all in one stylish space.

The total laundry room concept takes complete care of every aspect of your laundry... in style. From neatly storing away all that dirty laundry, ready for the wash, through the whole washing and drying cycle - all performed quickly and energy efficiently, yet with uncompromisingly high standards and excellent results for every fabric - through to ironing and storing away again, immaculately clean and ready for use. And there's more, a drying cabinet which, among a host of other functions, offers up to an incredible 16 metres of clothes line space - for gentle fresh air style drying whatever the weather. And storage spaces that mean even the busiest of family homes can feature a laundry room that's not just clutter free and tidy... but also more stylish and smart than ever before. That's better... that's Maytag.

'Such a simple idea. And so cleverly done'
That's better

WASH BETTER



Innovative, inventive features combine with the highest standards of design and build to ensure outstanding performance and perfect results, time after time. Advanced, yet easy to use, programming takes real care of every sort of load - while robust, professional build construction and advanced technology ensure that Maytag washers run smoother and last longer.

- Washing machine features P16-17
- Choose your washing machine P18-19

DRY BETTER

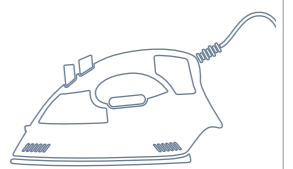


Every sort of washed load dries to perfection with Maytag - with dryers featuring a clever butterfly action which reverse tumbles, shortening the cycle time and puts less strain on the dryer. And the ingenious design of our drying cabinets means easy drying for wet clothes, coats and shoes, too - out of sight and with an amazing capacity to cope with all your needs.

- Dryer features P20-21
- Choose your dryer P22
- Choose your drying cabinet P12



CARE BETTER



Hidden away amongst the smooth lines of the cabinets are an amazing array of helpful and essential features - from the ironing board to laundry baskets, shelves and drawers, storage space for detergents and hangers, pegs and accessories. Intelligent design means everything you need is right there, in the right place at the right time - every time.

- Hidden helpers P14-15

FURNITURE

You can customise the total laundry room to suit your personal taste and style - complementing or concealing the appliance with doors in a range of finishes to fit the washers and dryers and fronts for the storage and sorting units. Choose from high gloss white, stainless steel, high gloss black - or match to your own specific décor scheme.

- Choose your furniture options P13

So much space... and so full of clever features.

With a flexible and versatile array of features, the clever design of the Maytag drying cabinet makes the best use of every square inch of space available. Intelligent design makes all these features easy to adapt and organise for various kinds of laundry, all with the maximum and most efficient drying effect.

'Crease free drying and storage - for an incredible amount of clothes and shoes'
That's better



3.5kg

Flexible and functional

Sometimes it's really helpful to get clothes dry really quickly - and the drying cabinet enables you to do this with no compromise on performance or damage to fabrics. Three gentle heat settings and a four hour timer give you a range of options, with the facility to dry 3.5kg of clothes thoroughly in just 2 hours.



16m

Up to 16m clothesline

With three rows of pull-out hangers, a Maytag drying cabinet provides you with the equivalent of up to 16 metres of clothesline. Your clothes dry naturally with warm air circulating around them, so you get as fresh a result as you would hanging them outside to dry on a breezy, sunny day.



Keep it tidy

With its multiple functions and remarkably large capacity, the Maytag drying cabinet helps you to keep your laundry room tidy and clutter free - taking in everything from standard wash loads to shoes and coats, boots and gloves, all stored and dried neatly through a versatile range of features.



Efficient use of space

The flexibility of the drying cabinet's innovative range of features means that every inch of space is efficiently used - it is endlessly versatile, so you can use the drying space however you want, changing the set up in an instant to cope with whatever you need to dry.



Get organised

The drying cabinet helps you organise your home. There are racks for drying and storing shoes and boots, clothes and linen and other accessories like gloves and hats - all those bits and pieces that otherwise get spread around your house and sometimes seem to go missing!



Dry your clothes gently

The drying cabinet is particularly kind to sensitive fabrics like silk lingerie and cashmere sweaters, drying them gently to perfection with no shrinkage or bobbling. For all those traditional natural fibres and sensitive new materials which can't be tumble dried, it's the perfect solution - now there's no need for that unsightly clothes horse!

STORE BETTER



Drying and storing... out of sight, and out of the way.

Say goodbye to drying clothes draped around the house, the traditional clothes horse and shoes and boots drying in the hall or on radiators - a Maytag drying cabinet takes care of it all, with the equivalent of up to 16 metres of clothesline and a range of racks and hooks. From washed clothes and wet coats to gloves, scarves, hats, shoes and boots, it has an amazing capacity to help you keep your home tidy.



DC7171



DC7583



See page 20-21 for feature details

Drying Cabinet 173cm in height, designed to match Circle Series panel designs

173x610x595mm

- Drying cabinet available in 2 heights to match with the height of a stacked washer and dryer
- Quiet operation 58 db(A)
- Hanging bars, pull out bars, bar for hangers, shoe rack, door hanger, glove hanger
- Timer: can be set for 4 hours
- Left or right hand door opening
- Equivalent of up to 16 metres clothesline
- Available in: Stainless steel DC7171
Select if you are using a single unit hidden helper
- Also available as 184cm high DC7181
Select if you are using a double hidden helper or ironing board



See page 20-21 for feature details

Drying Cabinet 184cm in height with sleeker panel design to match with Line Series stacked washer and dryer

184x610x595mm

- Height will match stacked washer and dryer with double hidden helper or ironing board
- Quiet operation 58 db(A)
- Hanging bars, pull out bars, bar for hangers, shoe rack, door hanger, glove hanger
- Timer: can be set for 4 hours
- Left or right hand door opening
- Equivalent of up to 16 metres clothesline
- Available in: Stainless steel DC7583
- Available November 2009

DRYING CABINETS

A look that's complete and co-ordinated

Within the total laundry room concept you have a range of colour and finish options which enable you to create the look you want, to suit your home and your personal preferences. If you prefer your washer and dryer to be concealed behind a door, you can choose from a range of finishes - high gloss white, stainless steel, high gloss black or to match your own specific décor scheme. Full length handles are available with the first three of these options.



High Gloss White



Stainless Steel



High Gloss Black



Furniture Door of Your Choice

'Matching furniture maintains our design integrity'
That's better

FURNITURE

All the hidden helpers you need for spotless laundry.

Within the total laundry room concept, there are a host of hidden helpers - simple, practical yet inventive solutions for functions which have traditionally taken up a lot of space, or created untidiness around the home. Fully integrated within the design, our hidden helpers provide storage, sorting and folding spaces, and do away with the need for a separate ironing board. Everything you need, and more, all hidden away until you need it... another unique feature of the total laundry room.

It's so good to live without laundry all over the place...
That's better



Ironing board

Cleverly positioned over the washer or dryer, the ironing board simply slides out when you need it, and slides back when you've finished - safely and invisibly stored away until next time. You can add an optional accessory arm for ironing shirt sleeves too.

Line Series

- Available in: Titanium H1115T

Circle Series

- Matches Integrated and Circle Line Series models

- Available in: Titanium H1215T

Ironing board arm

- Suitable for Line Series, Circle Series and fully integrated models

- Available in: White HA15W

Rotary iron

With a rotary 'mangle style' Cold Iron you can achieve a lovely smooth finish with those difficult to iron materials like sheets, tablecloths, napkins and curtains. It works through pressure, not heat, so it's a more comfortable way of ironing - and it's kind to allergy sufferers too, as the level of dust is reduced by 10-60 times compared to non-mangled textiles. The rotary iron is designed to sit on a work surface, or for use as shown as an alternative option - in any convenient position.

- Available in: White C1700

Laundry care double

This pull out shelf and wire basket provides an all-purpose surface - handy, for instance, for sorting and folding clothes, or for storage.

Line Series

- Available in: Titanium HDB115T

Circle Series

- Matches Integrated and Circle Line Series models

- Available in: Titanium HDB215T
Stainless steel HDB215S

Laundry care single

This single pull out shelf is a convenient 'hidden helper' which makes loading and unloading your laundry so much easier.

Line Series

- Available in: Titanium HSS105T

Circle Series

- Matches Integrated and Circle Line Series models

- Available in: Titanium HSS205T
Black HSS205B

Pedestal drawer with shelf

Handily sized at 30cm deep, this useful drawer is ideal for storing your detergents, coat hangers, pegs, user manuals and other accessories. You can position it beneath the washer, or dryer, to lift them up to the ideal height for loading - and it comes with a shelf to help with loading and unloading too.

- Available in: Stainless steel HP5532S

Laundry care basket

This pull out basket is easily accessible from the dryer, and has a push pull door opening with a deep removable rack - in which you can carry clothes to the wardrobe or to your ironing board or sorting shelf.

Line Series

- Available in: Titanium HB115T

Circle Series

- Matches Integrated and Circle Line Series models

- Available in: Stainless steel HB215S

Sorting unit

A pull-out 70cm high draw-out unit with two integral laundry storage and sorting bags, which can be lifted and removed easily by their double handles to carry the contents in, out and around the laundry room.

- Available in: Titanium HSO570T

Plinth

Stainless steel plinths enable you to elevate the washer and/or dryer by 30cm, taking them to the ideal working height for easy loading and unloading.

- Suitable for Line Series, Circle Series and Fully Integrated models

- Available in: Stainless steel HPL530S

Laundry care list

A smart cover strip that fits the gap between the washer and dryer when stacked to achieve a superior design look.

Line Series

- Suitable for Line Series models

- Available in: Titanium HL105T

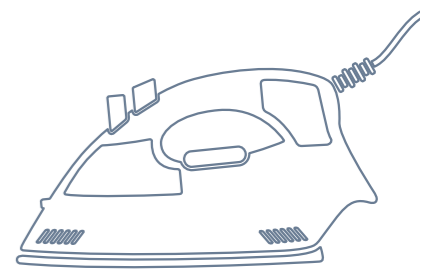
Circle Series

- Matches Integrated and Circle Series models

- Available in: Titanium HL205T

Some hidden helpers can be either fitted above a washer or dryer, between a stacked washer or dryer, or in place of a drawer unit above a cupboard. A free stacking kit is supplied with all dryers.

CARE BETTER



Innovative, intelligent features for superior performance.

The advanced technology and design of Maytag washers means that outstanding performance and results are easy to achieve. Intelligent, intuitive programming takes away all the hassle, and ensures high levels of energy and water efficiency. Put simply, the washer does more of the work for you. This innovative technology is supported by exceptional professional build quality construction, which not only means that your washer is more durable and reliable - it also ensures a quieter and smoother performance, and keeps the washer cleaner and fresher.



Washer MWA 0720IIA shown



A+

Best in class performance

With A+ energy efficiency and low water consumption, Maytag washers are economic and environmentally friendly - while also achieving A standard wash results across all the main fabric types and through 9 special stain programmes. Spin speeds of up to 2000rpm are the fastest in the industry.



Built to professional standards

All our products are built to the same production standards as our professional range. We use more steel and less plastic than other brands, including stainless steel for both the inner and outer drums, and with no rubber bellows there's no leaks and no build up of slime. Maytag's unique Quattro™ construction ensures a better, quieter and smoother performance, and enhances the reliability and durability of your washer.



Ease of use

Maytag washers are available with smooth working 'circle' dial controls, or with all programming information displayed in a single, easy to read and use LCD line. You simply enter the settings you want from left to right. Our Auto Wash feature makes life even easier for you - it chooses the right programme automatically for you.

Key for all washing machine features



Laundry room concept

These models are exclusively designed for the Maytag laundry room concept.



Large load capacity

With larger load capacities of 7kg, Maytag washers enable you to work more efficiently - completing your wash in less loads, which saves time, water and energy.



A+ in energy consumption

Maytag washers are rated A+ for energy according to the European energy standards - which means their energy consumption is 10% lower than A rated machines. By decreasing the energy consumption, you will save money on your electricity bills.



A' for wash result

Maytag washers are all rated in the top performance category, making them the best in their class for wash results.



A' for spin speed

The high speed saves energy and time in the drying process. By using 2000rpm in your washer, you decrease the running time and energy consumption in your tumble dryer by approximately 50%, compared to 800rpm.



Time programme

Wash your clothes as efficiently as possible in the time you have available. With this programme, you decide how long you want to spend waiting for the wash to finish. The machine then optimises the wash result within the time chosen, from 30 minutes up to 3 hours. A flexible, smart and time saving feature.



Auto Wash

An intelligent programme which is extremely flexible and convenient - it does the thinking for you - and also saves energy since the amount of water and running time is adjusted according to the size of the wash load.



Aqua Stop Water Safety System

Aqua Stop has up to 7 water safety features to avoid leaking or flooding. This includes a super strong but flexible PEX fill hose, covered bottom plate to retain any leaks and an auto system that shuts off the fill valve and pumps out the water when the bottom plate starts to fill with water.



Stain programme

Simply choose the fabric and type of stain from the display menu, and the washer will wash to your specific needs - the optimal programme will automatically be set to achieve the best possible wash result to remove the stain. This programme can be set to 9 different stains (red wine, blood, grass, blueberries, butter, chocolate, coffee/tea, egg, dairy products) on 3 types of materials (cotton, cotton/synthetics, synthetics).



Pro Build

All Maytag washers are built to the same high standards as our professional products - with more steel and less plastic, so they perform better and last longer.



Quattro™

This unique durable standing construction makes Maytag washers more steady and stable than other washing machines, which are suspended inside the outer casing. With Quattro™ construction, the outer drum rests on four supporting power dampers firmly attached to a steel bottom plate. The construction stands inside the machine and spinning at even 2000rpm is virtually free of vibrations.



Cast iron rear cable

Maytag washers are stabilised with a robust cast iron rear cable, rather than the standard concrete used by other manufacturers, for sturdier, quieter operation and a longer life span.



Noise level

Maytag washers run smoother and quieter - see individual specifications for noise level db (A) during operation.



SmartSeal™

An intelligent design which enables the door to seal directly to the outer drum - for easy clean and prolonged freshness, year after year and unlike traditional washers with rubber bellows, there's nothing to leak, wear out or replace.



Super rinse

Rinses 7 times and removes all detergents - perfect solution for those with allergies or sensitive to detergents.



Language options

These machines have 11 different language options for you to choose from.



Drop down door opening

Making it easier to load and unload your washing. Also avoids clothes being dragged out of the machine and falling on the floor when unloading.



Integrated

Integrated models allow you to hide the appliance behind a full height door, and match your surrounding furniture.

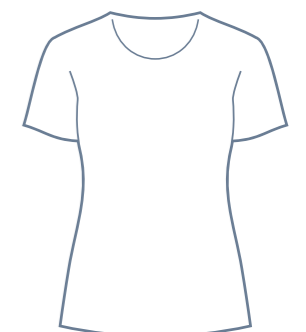


Free standing

Freestanding models can be installed without any adjacent furniture or additional doors.

*The above features are only available on certain models in the range. View individual model specifications for more information.

WASH BETTER



Neater. Easier to use. More efficient. And much, much more stylish.

Beautifully proportioned, elegantly designed and smoothly stylish, Maytag washers are available in a range of specifications and finishes to perfectly suit not only your wash requirements - but also your chosen décor scheme, within the total laundry room concept or as part of a standard laundry or utility room. Ease of use and efficiency are of the essence with every Maytag appliance, as are the versatility and effectiveness of the comprehensive range of wash programmes.

All these models integrate with the total laundry room concept, but can also be selected as stand alone appliances.

'Superb performance, matched by stunning design'
That's better



MWA 0720IIA
Integrated front load washer
- 2000rpm spin speed
- Auto door opening
- Optional door kits with full length bar handle
- Doors available in: White/Gloss Black/Stainless Steel or furniture door of your choice (see your kitchen supplier)
Electronic LCD Line Series display
- Available in: Stainless Steel MWA 0720IIA



MWA 0718FIB
Free standing front load washer
- 1800rpm spin speed
- Auto door opening
Electronic LCD Line Series display
- Available in: Stainless steel/Titanium MWA 0718FIB



MWA 0716FIC
Free standing front load washer
- 1600rpm spin speed
- Auto door opening
- 24 hour start delay
- Drop down door
Electronic Circle Series display
- Available in: Stainless steel/Titanium MWA 0716FIC



MWA 0714FBC
Free standing front load washer
- 1400rpm spin speed
- Auto door opening
- Drop down door
Electronic Circle Series display
- Available in: Stainless steel/Titanium MWA 0714FIC
Gloss Black MWA 0714FBC



Washer MWA 0714FIC shown

THE WASHING MACHINES

Optimum performance with a range of advanced features.

Maytag dryers give your clothes that lovely fresh-air dried feel, with an exceptional range of Auto Dry programmes for you to choose from - and our unique SensiDry programme for delicate fabrics, taking real care of them and preventing shrinkage. We've developed a unique 'butterfly' drying action which is so much more efficient and effective than standard tumble dryers - and which also reduces creasing and the need for ironing. Like all Maytag appliances, our dryers are superbly constructed from the highest quality materials - which means they dry clothes better, for longer.



Dryer MTD 07SC1IA shown



Butterfly non-stop drying

The unique 'figure eight' butterfly action of Maytag dryers moves the load around gently, non stop and in less time - without the clothes bundling, giving you fresher and faster results which require less ironing. And it puts less strain on the belt and drive system than traditional reverse tumble models - protecting the motor and ensuring a longer lifetime for your dryer.



Auto dry & SensiDry

Intelligent sensors within the dryer adapt the drying programme to optimise the energy and time usage. The SensiDry temperature sensor ensures even drying results, with no concerns about shrinkage of delicate fabrics.



Built to professional standards

All our dryers are built to the same production standards as our professional range. With stainless steel drums, ball bearing suspension and a high quality motor, your dryer runs quieter and smoother - and lasts for longer.

Key for all dryer features



Laundry room concept

These models are exclusively designed for the Maytag laundry room concept.



Large load capacity

Maytag dryers have a 7kg capacity - and a 112 litre drum allowing for more space for the laundry to move, ensuring even efficient drying and reduced creasing.



Double lint filter

Easy to remove and clean out, this double filter picks up double the amount of lint - preventing it from gathering in the dryer. Less lint means reduced energy consumption and shorter cycle times, whilst keeping your drying load fresher and cleaner - which makes life easier for allergy sufferers. It also enhances the durability of the dryer itself.



Interior light

The interior light makes it easier for you to load and unload your dryer. You can clearly see what you are doing - which helps you find that missing sock, each and every time.



Energy rating

According to European labelling standard - saving you money and helping the environment.



Airing programme

The ideal, energy efficient programme for those occasions when you simply want to freshen up your clothes or linen without using heat. Clothes are tumbled in cool air for the time you select.



Easy clean fan

Innovative Maytag design makes it easy for you to clean the fan yourself, a job which requires an engineer call out with standard dryers. A clean fan ensures that programme times remain accurate, and energy consumption stays low - as well as prolonging the effective life of the dryer.



Auto jeans programme

This programme dries jeans in a special cycle - taking a little longer than a normal dry but giving a great result, even in the pockets and seams.



Auto synthetic programme

This programme sets the ideal, lower temperature and drying times for synthetic material garments like shirts and blouses.



Child safety lock

Maytag dryers are family friendly too - doors can be opened from the inside and the dryer has to be restarted if the door is opened.



Noise level

Maytag dryers run smoother and quieter - see individual specifications for noise level db(A) during operation.



Anti crease

Set the dryer to run on low heat and intermittent tumble for 2 hours after the cycle has finished to avoid laundry creasing in a cold static drum.



Delay start

1-24 hour delayed start option to maximise off peak electricity.



Integrated

Integrated models allow you to hide the appliance behind a full height door and match your surrounding furniture.



Free standing

Freestanding models can be installed without any adjacent furniture or additional doors.

* The above features are only available on certain models in the range. View individual model specifications for more information.

DRY BETTER



A fresh new look in dryer design.

The sleek, design-conscious lines of Maytag dryers make them a welcome addition to your home... with a choice of models to integrate seamlessly into our total laundry room concept, complementing both the washers and the drying cabinets and storage units. Programmes are controlled by easy to use circle dials or our stylish line series display, with its ultra-simple LCD panel, set from left to right and showing remaining programme times.



See page 20-21 for feature details



See page 20-21 for feature details



See page 20-21 for feature details



MTD 07SCIIA

Integrated sensing/condensing dryer

- Stainless Steel drum
- Electronic sensing system
- Condenser drying system
- Optional door kits with full length bar handle
- Furniture door available in: White, Gloss Black, Stainless Steel or furniture door of your choice (see your kitchen supplier)
- Matches MWA 0720IIA

Electronic Line Series LCD display

- Available in: Stainless steel

MTD 07SCIIA



MTD 07SCFIB

Free standing sensing/condensing dryer

- Electronic sensing system
- Condenser drying system
- Optional pedestal and drawer
- Matches MWA 0718FIB

Electronic Line Series LCD display

- Available in: Stainless steel/Titanium

MTD 07SCFIB



MTD 07SCFIC

Free standing sensing/condensing dryer

- Electronic sensing system
- Condenser drying system
- Optional pedestal and drawer
- Matches MWA 0716FIC / 0714FIC

Electronic Circle Series display

- Available in: Stainless steel/Titanium
- Gloss black

MTD 07SCFIC
MTD 07SCFBC



THE DRYERS

Stand-alone designs with outstanding features.

Maytag answers the needs of every home and every family with a comprehensive range of washers to suit your specific requirements. All of the washers on the previous two pages are suitable for stand alone use, and the range is completed with our Premium models - including the Premium Super Capacity. These models harness the power of steam with steam boost, sanitation and refresh cycles. Steam delivers outstanding cleaning performance on lower temperature programmes saving you energy whilst also taking care of your delicate fabrics. With a wash load of up to 11kg, it offers you the largest capacity of any domestic washer - and like all of the models in the Maytag range, it brings you professional levels of wash results and long lasting, reliable performance.

Premium 60 Series Range



MWA 0814FWN

Premium Super Capacity



MWA 1112FBS

Front loader washer

850x600x600mm

- 1400rpm spin speed

- 8kg loading capacity



- A+ & AA Class

- 14 programme options

- IntelliSense® technology

- ECO Steam: boost, sanitation and refresh options

- Intensive rinse option - suitable for those with sensitive skin

- New Woolmark Endorsed - wash delicates with confidence

- Pedestal option - no bending down and extra storage space for laundry consumables

- Available in: White

Gloss black

MWA 0814FWN

MWA 0814FBN

Front loader washer

965x686x785mm

- 1200rpm spin speed

- Super capacity 11kg - Largest capacity for domestic washer



- A+ AB Class

- 15 programme options

- IntelliSense® technology

- ECO Steam: boost, sanitation and refresh options

- Intensive rinse option

- New Woolmark Endorsed

- Pedestal option - no bending down and extra storage space for laundry consumables

- Available in: Black

MWA 1112FBS



PREMIUM SERIES MACHINES

US Style laundry - big on capacity and performance.

Across the Atlantic, they like to do everything bigger - and our U.S. laundry range reflects their way of life with heavy duty capacity and performance that'll answer the need of even the biggest families. The washer is top loading - far easier for bulky items - and has a huge 8.2kg capacity (enough for 10 sheets at one time!). The dryer, with its extra large 10k capacity and unique dryer rack, enables you to achieve more in a single load. That's better... U.S. style!

US Style Top Loader Washer



3RMTW4905TW

US Style Electronic Dryer



3RMED4905TW

US Style Top Loader Washer

1092x686x743mm (including top control panel)

- 8.2kg capacity
- Top loading so avoiding bending down
- Short wash cycles (min 25 minutes)
- Hot and cold fill
- Automatic temperature control system
- 5 programme options
- Auto Dry
- Guaranteed for domestic and light commercial use
- Short wash cycles
- Stainless Steel tub
- Automatic temperature control

- Available in: White

3RMTW4905TW

US Style Electronic Dryer

1092x686x743mm (including top control panel)

- Super capacity 10kg
- 3 programme options
- Guaranteed for domestic and light commercial use
- Auto dry system
- Unique dryer rack

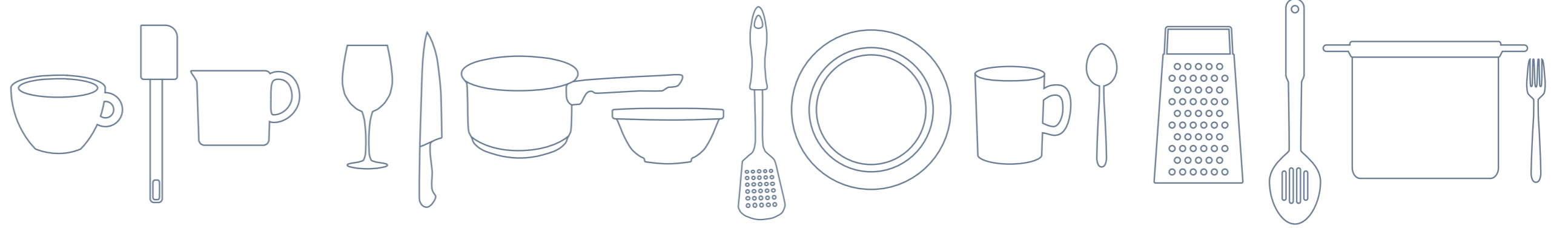
- Available in: White

3RMED4905TW

US STYLE MACHINES



More spacious. More efficient. More advanced. And far more attractive.
'Dishwashing has moved on to a new level...'



Now that more and more of us enjoy entertaining at home - with bigger and bigger dinner parties and barbeques - the average dishwasher simply isn't large enough, and tough enough, to cope. Maytag provides the perfect answer, with a stylish XXL[®] dishwasher which takes care of it all for you. Simply load it up with all the plates, glasses and cutlery with up to 17 place settings, and that's the washing up done! The XXL[®] - a big step forward from Maytag for you, and your lifestyle.

STYLISH, SPACIOUS DISHWASHING



DISHWASHING

A stylish dishwasher* which takes 17[†] place settings, not 12.

With the world's largest load height - an amazing 58cm, packed into a standard height machine which will fit most cabinet units - and a uniquely flexible 4 level rack system, Maytag's new generation XXL¹⁷ dishwasher has an incredible capacity for dirty dishes. With the XXL¹⁷ you can wash larger loads and more place settings than ever before. 17 full place settings - compared to a standard 12 place setting maximum, that's 40% more wash load than any standard dishwasher.



MDW 171TN shown



Fully Integrated Dishwasher

- 4 wash levels with up to 7 different baskets
- Total loading height: 58cm
- Maximum plate size: 39cm diameter
- Optional door kits with full length bar handle
- Furniture doors available in: Stainless Steel or furniture door of your choice

- Available as a free standing model **MDW 17FTI**
- Also available as 15 place settings with 3 rack system
- Integrated model **MDW 15ITN**
- Free standing model **MDW 15FTI**

See specifications on page 52 for details
See page 32 for model feature descriptions

*In a standard European 60x60cm configuration
†IEC standard testing is carried out with 12 place setting

THE XXL¹⁷

At last
a dishwasher
with capacity
as big as our
dinner parties'
That's better



Touch control LCD display

Individual doors

Our integrated dishwasher can be fitted with a stainless steel door, or any other door design - to conceal the machine and co-ordinate the cabinet with the rest of your kitchen. Maytag offer you a wide range of options, and you simply make the choice you prefer - to ensure that your dishwasher integrates seamlessly into your design scheme.



Stainless Steel



Furniture door of your choice

DISHWASHING

All sorts of features. For all sorts of dishes.

The XXL¹⁷ doesn't just pack more dishes into the same space...it's loaded up with helpful, innovative features too. Like incredible flexibility, with 4 wash levels and 7 separate baskets. Programmes which ensure excellent results, no matter how stubbornly dirty the dishes are – with up to 10 highly effective spray zones including 3 power zones. High levels of energy and water efficiency and professional standard construction means it works super-efficiently, and lasts longer.

'Dishes come out spotless. And the design is immaculate'
That's better



Best in loading height

The 58cm loading height and flexible rack system of the XXL¹⁷ enables you to load plates, serving dishes, racks and oven shelves up to 39cm high - which means you can wash those larger items by machine, and not by hand.



Best in class capacity

With space for 17¹ place settings, rather than the standard 12, the XXL¹⁷ gives you 40% more capacity than other models. Clever Maytag design means it's big on the outside - yet has the same dimensions as a standard dishwasher.

¹IEC standard testing is carried out with 12 place settings



Built to professional standards

Maytag uses far more stainless steel, and far less plastic – making the XXL¹⁷ a stronger, sturdier and cleaner dishwasher than any standard machine on the market. With steel parts throughout, and an all-welded tub construction (rather than the usual folded and glued seams), the XXL¹⁷ is leak proof and gives you a better all-round performance, for longer.

Key for all dishwashing machine features



Low noise

The Maytag dishwasher works smoother and quieter - with a noise level of just 43 db(A) during operation.



Auto time programme

Set a time and the XXL¹⁷ will automatically select the best programme for that time.



Daily wash

This 90-minute programme is ideal to get the best results for a standard daily wash load.



Quick wash

Designed for lightly soiled glass and china, taking approximately 60 minutes.



Time saver

Time saver saves from 30 to 80 minutes on a wash load by shortening the heavy and normal wash. It gives you the same performance but consumes slightly more energy and water.



9Steel

No other dishwashers have so much steel instead of plastic - the container, loading racks, spray pipe, spray arms, strainers, outer base, feet, upper basket fixations and heater included. This is a unique, durable solution you will only find in a Maytag machine - they're built to last longer, and they do.



Leak proof

Aquasafe™ leak proof construction ensures leak-free dishwashing, with an advanced water safety system encompassing 16 different points. And the tub is all-welded which makes for a stronger construction and leak proof too.



FlexiRacks

The XXL¹⁷'s unique, flexible and easy to use 4 level rack system incorporates up to 7 baskets to cater for any and every sort of wash load in a wide range of configurations.



10 spray zones

The spray system consists of 10 highly efficient spray zones which ensures that the whole load gets completely clean. Two power zones are situated in the lower rack for excellent results even with the dirtiest pots and pans, and a third power zone concentrates on the cutlery.



Self cleaning filter

Cleaning the filter after every wash is a chore we all forget, but is essential to good wash performance. The XXL¹⁷ has a self clean system that only requires maintenance every few months.



Turbo drying

The XXL¹⁷'s fan-dry system ensures that the load is dry. After the final rinse, moist air from inside the machine mixes with dry air from outside to achieve better drying results.



Energy

Rated in A for energy consumption, cleaning and drying results, according to European labelling standards.



Individual doors

The XXL¹⁷ free-standing models come with a Stainless Steel door fitted. Integrated models can be fitted with an optional Stainless Steel door, or the furniture door of your choice to match your kitchen.



Kid lock

The control panel can be locked to prevent children starting the dishwasher or cleaning programme.



Water efficient

The XXL¹⁷ is highly water efficient with a consumption of just 0.58 litres per place setting.



Touch control LCD display

Easy to use, set and read, the LCD display panel is controlled by touch and shows all your options, as well as programme time remaining. It can be set in 11 languages.



24 hour start delay

You can set the washer to delay the start of its programme by up to 24 hours - which means you can make the most of off peak energy deals.

DISHWASHING

CLEAN BETTER



Endless possibilities - with FlexiRacks™ adapting to cater for any dishwashing load

The XXL¹⁷'s incredible capacity is made possible by clever use of space inside – and an almost infinitely flexible range of racks and baskets. Innovative design uses a 4 rack system with up to 7 baskets. All the racks are flexible, sturdy and made of a durable nylon coated steel. Their mesh is finer than in other dishwashers, which helps to keep dishes and utensils in place. You can also fully extend the lower racks onto the dishwasher door. All of which makes loading easier and far more flexible – whatever the wash load.



Knife basket

At the top, there's a useful knife rack. Placing sharp knives in this basket protects glass, china - and children. It has its own spray system to ensure the knives get really clean.

Exclusive upper rack for XXL¹⁷ only

The upper rack is height adjustable (4 cm), making it possible to provide more space in the lower rack. The upper rack itself is extra high to provide better support for tall glasses and has fold-down wine-glass shelves. It firmly supports egg cups and other small items. There's a china guard to prevent you from placing items that are too tall in the lower rack, whatever height you have it adjusted to.

Exclusive lower rack for XXL¹⁷ only

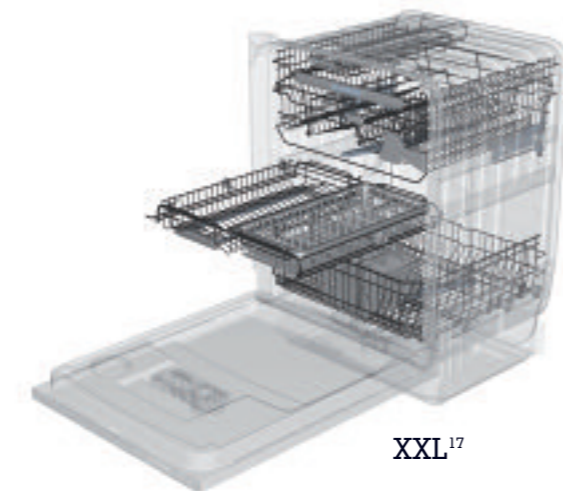
The lower rack includes up to two cutlery baskets. The larger one has room for easy sorting, and is cleverly designed to enable forks and knives to dry better. It has a high handle to avoid you hurting yourself on sharp objects and to make loading and unloading easier. The smaller extra cutlery basket can be placed inside the larger one - for instance, loaded with smaller spoons, or to separate silver and stainless steel. It is extra flexible - and provides stability for larger plates. The back row of plate holders folds down and divides.

Cutlery baskets



Middle rack

The middle rack is divided into two baskets, for extra flexibility and load capacity. One is for your larger utensils - whisks, knives, spatulas and so on - and the other is for bowls and cups. Both are removable for easy loading and unloading, and can be removed to leave more height in the lower rack.



XXL¹⁷

How FlexiRacks transform your dishwasher for any load...



More room in middle rack

Mixed load, upper rack in upper position (19cm) giving you more space in the middle rack. Perfect for breakfast bowls.



More room in upper rack

Mixed load, upper rack in lower position (23cm). Adjust the upper rack and make room for rows of smaller plates, more coffee cups or higher glasses.



Unique new middle rack

Mixed load, with unique middle rack giving loading a new dimension. Divides into two removable baskets for larger utensils, bowls and cups.



Taller glasses or vases

Without one section of middle rack - you can make room for wine, champagne or beer glasses, or flower vases.



Pots & pans

Remove middle rack and put larger pots, pans or plates in the lower rack.



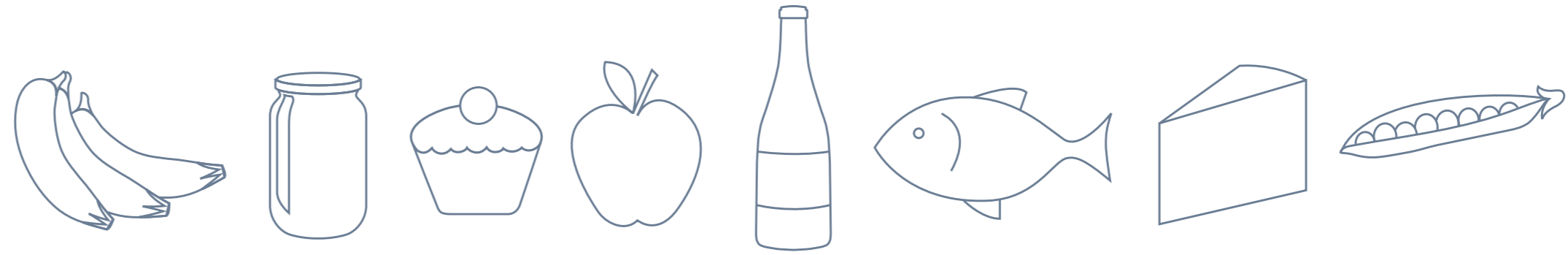
Bowls, trays and cutting boards

Remove middle rack and put baking equipment like trays, larger bowls and cutting boards in the lower rack.

DISHWASHING

THE INNOVATIVE FLEXIRACK™

Inspiration and innovation - in refrigeration.



Refrigeration has never been so cool, Maytag takes the fridge freezer to new standards of style and function... with beautiful, elegant design that incorporates a stunning range of features to achieve outstanding performance. This is refrigeration on the grand scale - big, beautiful designs to enhance both your home and your lifestyle. Iced water on tap... fresh, crisp fruit and vegetables... food straight from the fridge... all kept at the ideal temperature, in fridge freezers that are big on capacity - and even bigger on style.

REFRIGERATION INNOVATION



Flair, functionality - and an outstanding range of features.

Behind the sleek, smart lines of every Maytag fridge freezer there lies a host of high-tech, helpful and inventive features. Smart, intelligent programming to keep your food and drink looking and tasting better for longer - with light touch controls for easy, accurate temperature management. Five separate cool zones. Neat design ideas like deeper freezer drawers that store even the biggest and most awkward packs - yet slide out effortlessly and smoothly. Adjustable shelves and racks to make the most of every inch of space, and clever spillsaver retaining edges to retain spillage. We've thought of it all for you!



MSS 20 CIII4 shown

Customise your fridge to your own specification - see page 44-45

'Clever design means there's so much more inside'
That's better

Key for all refrigeration machine features



Customised design

Selected Maytag refrigeration models can be personally customised to perfectly suit your specific décor design and taste. On model MSS 20 TBBI4 only.



A+ Energy

Maytag refrigeration is the most energy efficient on the market, using up to 25% less energy than Class A appliances, and 45% less than Class B.



Ice and water dispenser

Twin electronic 'paddles' deliver chilled, filtered fresh water and cubed or crushed ice at the touch of a button - with night light illumination that turns off after use.



Water fill spigot

Helping you to fill any height of bottle, glass or jug easily without spilling.



Microban® anti bacterial filter

This advanced antibacterial air filtration system - developed with Microban®, the market leader in antibacterial solutions - helps to reduce unpleasant odours. Fridge air passes through the high-tech filter, trapping and killing airborne micro-organisms - eliminating potentially harmful bacteria, mould, mildew and smells. More effective than contact systems such as liner or gasket anti-bacterials.



Integrated water filter

The cleverly concealed external water filter removes 99.9% of impurities to deliver fresh tasting, healthier water for drinking or ice. It's easy to replace, in seconds - when you are automatically alerted to the need for a new filter by the change indicator.



Child safety lock

The external controls can be locked to prevent children or guests changing the settings.



Multi flow

Multi flow guarantees that cold air is evenly distributed, ensuring optimal temperature at all height levels of the refrigerator. A controlled fan system added to strategically positioned outlets overcomes natural temperature imbalances and precisely distributes the cold air, concentrating the flow where it's most needed. With multi-flow you can preserve food and beverages at a constant temperature throughout all of the shelves.



Auto defrost

The frost free system prevents the build up of frost in both the fridge and the freezer so no need to manually defrost the fridge or freezer.



Zero degree meat container

The lower crisper container can be changed to a zero degree compartment for longer, safer storage of meat or fish.



Black out alert

If there is a power failure when you are away on holiday the display will advise if the freezer temperature reached an unsafe level and advise if you need to throw away the food.



Freezer lights

Unlike traditional freezers, the freezer section on our models is illuminated to make it easier to see the contents inside.



Full height stainless steel bar handles

External full length Stainless Steel bar handles that are easier to grip. Lasting longer compared to other handle designs, they are also a better match for other kitchen furniture and appliances.



Chef's pantry

This full width 'zone' on the SOV028TB model is ideal for storing cheese, meat and other delicate foods which need to be kept in a finely tuned environment, retaining their full flavour and ready for the chef to cook or serve.



NEW In door crisper

Your fruit and vegetables retain their freshness, crispness and goodness for longer with this unique new feature from Maytag. A temperature and humidity controlled pull down compartment extends their life and ensures that you enjoy the fresh flavour for longer. And it's set in the door for easy convenient access, with no bending down to reach it.



In door ice

Unlike traditional icemakers, the ice storage is located in the door freeing up to 20% more usable space in the freezer section. The ice container can also be easily removed so you can serve fresh ice directly at the table or out in the garden.

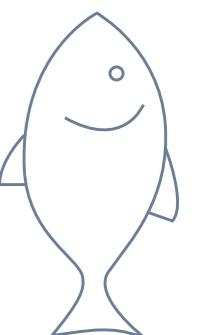


IntelliSense®

Maytag's advanced IntelliSense® system restores the temperature 5 times faster after the door is opened. This ensures better food conservation, keeping food fresher and looking better for longer.



COOL BETTER



The ultimate in refrigeration and design.

With Maytag, refrigeration becomes an art form. The style and scale of our fridge freezers is like no other – with big, bold and beautiful designs, incorporating the most advanced technology and the most helpful, clever and sophisticated features. Fridge freezers that make a statement about you, your aesthetics and your personal lifestyle – becoming a focal point in the kitchen, and the envy of your friends and neighbours. This is refrigeration....taken to a whole new level of design and performance.



Trilogy Full Stainless Steel

1796x915x675mm

- Electronic LCD display
- Full width adjustable glass shelving
- Self closing freezer drawer
- Flexible spill saver shelves
- Available in: stainless steel SOV028TB



Stainless Steel Doors

1805 x 906 x 748mm (including top box)

- Stainless steel doors and cabinet with full top cap
- Electronic LCD display
- Available in: stainless steel MSS 20 CIII4
- Also available with stainless steel look sides MSS 20 CISI4



Glass Line Doors

1805 x 906 x 748mm (including top box)

- Stylish glass line door panels with stainless steel sides
- Electronic LCD display
- Full door adjustment
- Available in: stainless steel MSS 20 CGII4
- Also available with stainless steel look sides MSS 20 CGSI4

"There always seems to be space...'
That's better



THE REFRIGERATORS

Designs for every home and every lifestyle.

Maytag makes stylish refrigeration ideal for every design conscious household – from the individual to the busiest of families. Smart yet functional surfaces make it easy to wipe away those little fingerprints and greasy marks. A host of features provide the flexibility to perfectly suit any and every lifestyle – and there's a choice of looks, finishes and capacities to match the requirements of any home and décor scheme. Maytag refrigeration. It's made for you.



Finger proof stainless steel flat door with contoured edge

- 1772 x 902 x 743mm
- Finger proof Stainless Steel doors with Stainless Steel look sides
- New flat door with contoured edge
- Electronic LCD display
- NEW In door crisper

- Available in: stainless steel MSS 20 FIS14



Black flat door with contoured edge

- 1772 x 902 x 743mm
- Gloss black doors with black sides
- New flat door with contoured edge
- Electronic LCD display
- NEW In door crisper

- Available in: black MSS 20 FBB14



Stainless steel look flat door with contoured edge

- 1772 x 902 x 743mm
- Stainless Steel look doors and sides
- New flat door with contoured edge
- Electronic LCD display

- Available in: silver MSS 20 FSS13



Black flat door with contoured edge

- 1772 x 902 x 743mm
- Gloss black doors with black sides
- New flat door with contoured edge
- Electronic LCD display

- Available in: black MSS 20 FBB13



THE REFRIGERATORS

Perfect co-ordination with your colour scheme.

The ultimate in refrigeration... customised to precisely suit your personal taste and style. Only from Maytag, of course. Our unique colour trim option - only available on selected models - comes in gloss black but you are free to choose any colour or finish you want. Matt black... tartan... paisley... whatever you have in mind (within reason!) the Maytag trim kit model makes this all possible. How cool is that?



Fully Customised Trim Kit

1774 x 902 x 748mm

- Fitted Aluminium Trim Kit
- Easily customised to fit any panel of your choice, match your kitchen furniture or make a statement with something different
- Standard model comes with high gloss black panels and sides
- Full length handles
- Easy and inexpensive to change - update the door panels only not the whole fridge freezer
- Available in: Black MSS 20 TBB14

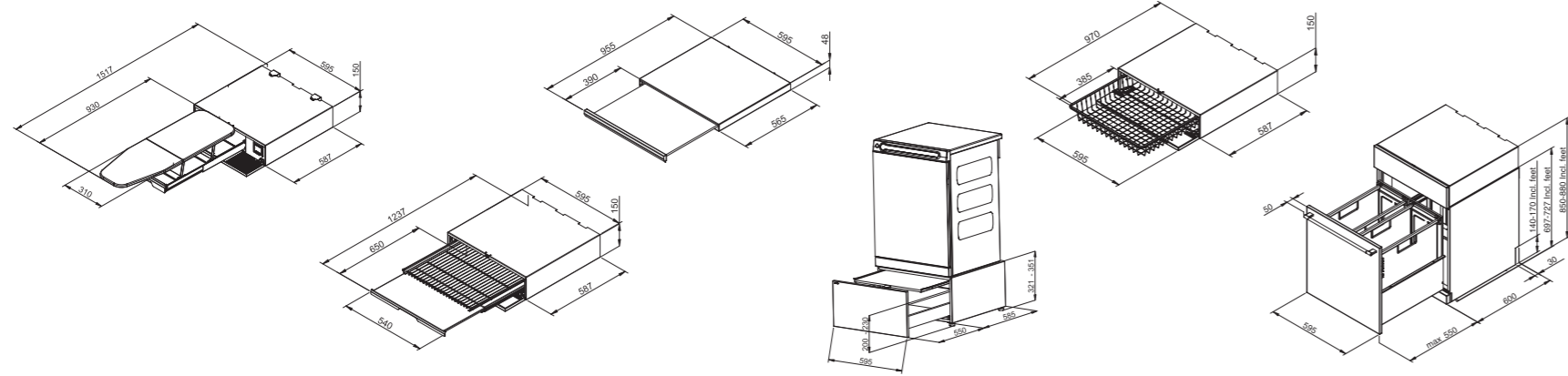
CHOOSE A UNIQUE STYLE AND COLOUR

'Our fridge freezer integrates with the overall room design'
That's better



MSS 20 TBB14 shown with panels of your choice

Hidden Helpers

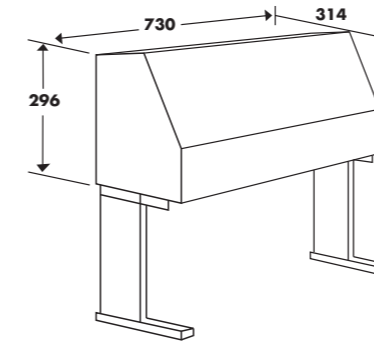


Model	HI115T/Hi215T* Pull out Ironing Board	HDB115T/HDB215T* /HDB215S* Laundry care double	HSS105T/HSS205T /HSS205B* Laundry care single	HPSS32S/HPSS32S* Pedestal Drawer	HB1155T/HB215S* Laundry care basket	HSO570T* Sorting unit
Colour	tt	tt/ss	tt/bl/ss	ss	tt/ss	tt
Unopened dimensions						
Height (mm)	150	150	48	321-351	150	697-727
Width (mm)	595	595	595	595	595	595
Depth (mm)	587	587	565	585	587	600
Weight (kg)	21	24.5	10	26.8	14.5	33.5
Opened dimensions						
Height (mm)	90	80	25	200-230	150	697-727
Width (mm)	310	540	565	520	595	595
Depth (mm)	930	650	390	550	385	550
Work Height (mm)	1042-1072	625-955	871	300	967-997	608-638
Features:						
Push/pull opening	•	•		•	•	
While in use, place for iron	•					
Adjustable telescopic rails	•	•				
Tipguard	•	•			•	
Removable wire basket		•			•	
Telescopic pull out shelf		•	•	•		
Laundry bags						
Maximum load (kg)	10	10	10	15	5	12
Volume (l)				77.5		2x50
Shelf surface	Steel	Steel		Steel	Steel	Steel
Ironing board fabric	Silver		Laminate			
Technical specifications						
Maximum connected power (w)	2300					
Electrical cord length (mm)	1600					

tt - titanium
ss - stainless steel
bl - black

*Circle series/integrated model codes
HA15W Arm for ironing board - matches all
HL105T Laundry Care List, Titanium - matches line series
HL205T Laundry Care List, Titanium - matches integrated and circle series

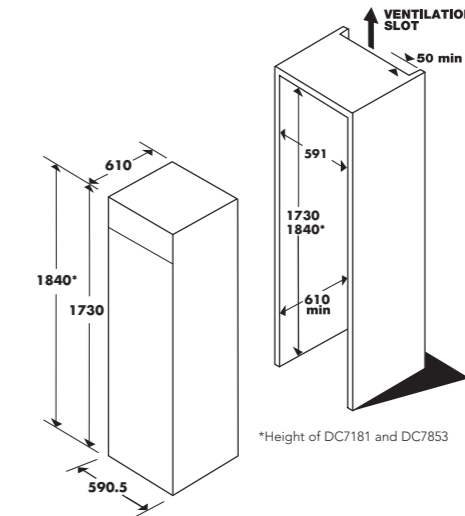
Rotary Iron



Model	C1700
Type	Cold iron
Free standing	•
Colour	wh
Dimensions	
Height (mm)	296
Width (mm)	730
Depth (mm)	314
Roller width (mm)	598
Roller diameter (mm)	120
Weight (kg)	20
User Interface	
Knobs no.	0
Settings	1
Operating data	
Roller pressure (kN)	3.4-4.0
Feed rate (rpm)	9.5
Wheels under frame	
Finger guard	
Temperature guard	
Optional accessory: stand with basket	
Technical Data	
Rated effect (w)	90
Rated voltage (v)	230
Frequency (Hz)	50
Fuse (a)	10
Electrical cord (mm)	1900

tt - titanium
ss - stainless steel
bl - black

Drying Cabinets



Laundry note: The drying cabinet should be vented into an extraction duct if surrounded by cabinetry, or situated in a small room. Dimensional specifications are provided for planning purposes only. For complete details see the installation instructions that accompany each product before selecting cabinetry, making cut-outs or beginning installation.

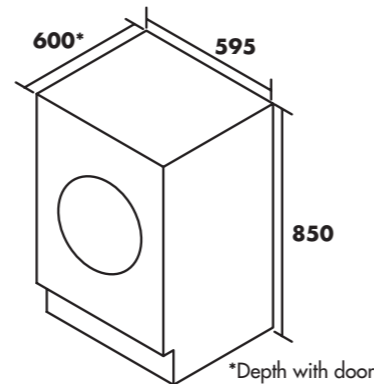
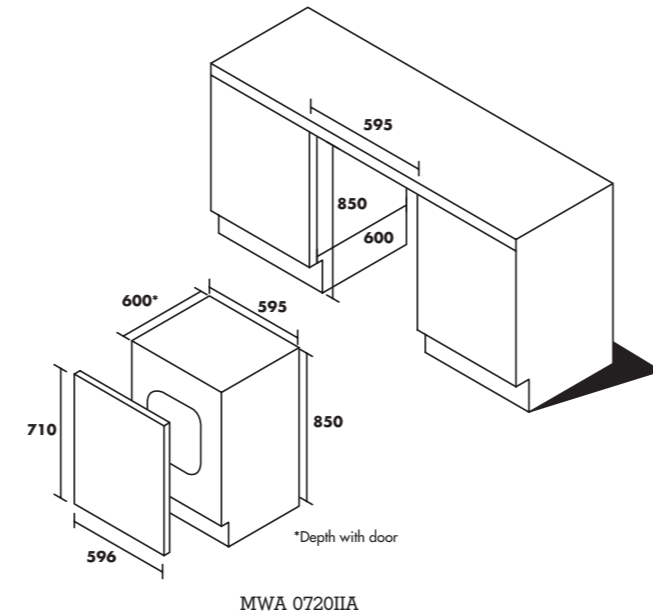
*Height of DC7181 and DC7853

Model	DC7171	DC7181*	DC7853*
Interface	Circle Series	Circle Series	Line Series
Free standing/Can be built in	•/•	•/•	•/•
Colour	ss/tt	ss/tt	ss/tt
Dimensions			
Height (mm)	1730	1840	1840
Width (mm)	590.5	590.5	590.5
Depth (mm)	610	610	610
Weight (kg)	60	60	60
User Interface			
Knobs	2	2	2
Timer (hrs)	4	4	4
Drying Programmes			
Normal temperature	•	•	•
Low temperature	•	•	•
Air fluff	•	•	•
Operating data			
Energy consumption - normal temperature (kWh)	0.7	0.8	0.8
Drying time - normal temperature (min)	120	120	120
Capacity (kg)	3.5	3.5	3.5
Hanging length, clothesline equivalent (m)	16	16	16
Dehumidification capacity (g/min)	17.5	17.5	17.5
Internal air exchange rate (m3/h)	200	200	200
Overheat protection	•	•	•
Technical Data			
Motor rating (w)	35	35	35
Element output (w)	1500	1500	1500
Rated voltage (v)	230	230	230
Frequency (Hz)	50	50	50
Fuse (a)	10	10	10
Electrical cord (mm)	2000	2000	2000
Venting hose length (mm)	1000	1000	1000
Noise Level db (A)	58	58	58

SPECIFICATIONS

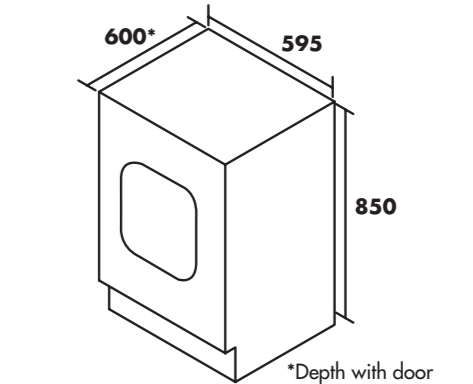
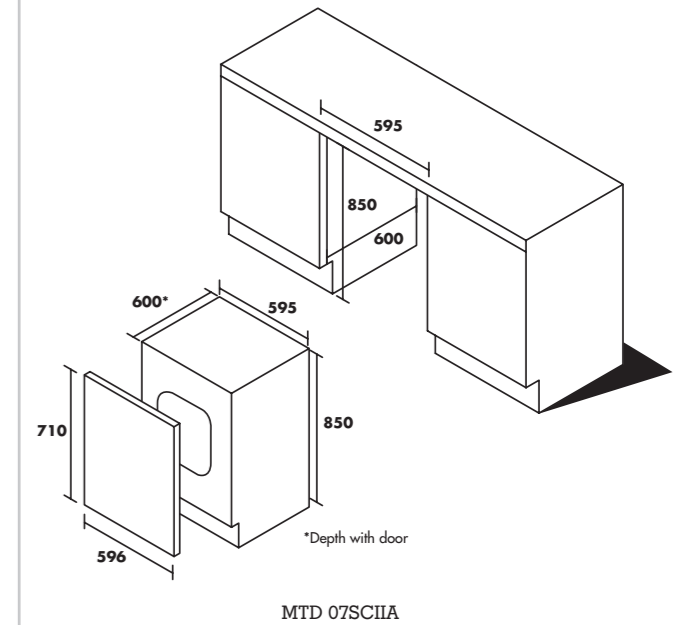
Super Premium LRC Washers

Model	MWA 0720IIA Integrated	MWA 0718FIB Free standing	MWA 0716FIC Free standing	MWA 0714FIC Free standing	MWA 0714FBC Free standing
Fitted door	Ready to accept integrated door	Not fitted	Yes	Yes	Yes
Front door/lid opens	Side	Side	Down	ss/tt	bl
Colour	See options	ss/tt	ss/tt	ss/tt	bl
Dimensions					
Height (mm)	850	850	850	850	850
Width (mm)	595	595	595	595	595
Depth with door (mm)	1165	1165	1080	585	585
Height adjustment (mm)	30	30	30	30	30
Weight with door (kg)	78	78	78	78	78
User Interface					
Knob	•	•	•	•	•
Microprocessor controlled/timer	•	•	•	•	•
Display	Line Series+	Line Series	Circle Series	Circle Series	Circle Series
Wash Programmes					
Auto wash	•	•	•	•	•
Stain programme	optional	optional	•	•	•
Time programme	•	•	•	•	•
Heavy wash	•	•	•	•	•
Normal white/Colour wash	•	•	•	•	•
White quick	•	•	•	•	•
Colour quick	•	•	•	•	•
Super quick	•	•	•	•	•
Synthetic	•	•	•	•	•
Wool/Hand wash	•	•	•	•	•
Temperature selection	•	•	•	•	•
Max spin speed (rpm)	2000	1800	1600	1400	1400
Variable spin speed	•	•	•	•	•
Super rinse	•	•	•	•	•
Delayed start (h)	0.5-24	1-24	1-24	1-24	1-24
Super wash	•	•	•	•	•
Pre-wash	•	•	•	•	•
Additional options	•	•	•	•	•
Operating Data					
Capacity (maximum kg)	7	7	7	7	7
Energy efficiency rating	A+	A+	A+	A+	A+
Washing performance rating	A	A	A	A	A
Spin drying rating	A	A	A	B	B
Energy consumption (kWh/kg)	0.17	0.17	0.17	0.17	0.17
Energy consumption (kWh/cycle)	1.19	1.19	1.19	1.19	1.19
Water consumption 3 rinses (litres/cycle)	59	59	59	59	59
Time programme (mins/cycle)	155	155	155	155	155
Estimated annual consumption for a 4 person household (kWh)	238	238	238	238	238
Estimated annual consumption for a 4 person household (litres)	11800	11800	11800	11800	11800
Noise with door db(A) re 1pW	46/76	46/76 no door	49/78	49/76	49/76
Technical data					
Stainless Steel inner/outer drum	•/•	•/•	•/•	•/•	•/•
Balance control	•	•	•	•	•
Rated effect (kW)	2.2	2.2	2.2	2.2	2.2
Rated voltage (v)	230	230	230	230	230
Frequency (Hz)	50	50	50	50	50
Fuse (a)	10	10	10	10	10
Electrical cord, length (mm)	2100	2100	2100	2100	2100
Water connection, press-proof hose and fitting (inch)	3/4	3/4	3/4	3/4	3/4
Inlet hose length (mm)	1500	1500	1500	1500	1500
Drain hose length (mm)	1700	1700	1700	1700	1700
Water outlet via hose/max pumping level (mm)	900	900	900	900	900
Cold fill only	•	•	•	•	•



Super Premium LRC Dryers

Model	MTD 07SCIIA Integrated	MTD 07SCFIB Free standing	MTD 07SCFIC Free standing	MTD 07SCFBC Free standing
Fitted door	Ready to accept integrated door	Yes	Yes	Yes
Door/lid opens. R/L= right or left	r/l	r/l	r/l	r/l
Colour	ss/tt	ss/tt	ss/tt	bl
Dimensions				
Height (mm)	850	850	850	850
Width/depth (mm)	595	595	595	595
Depth with door open (mm)	1165	1165	1170	1170
Height adjustment (mm)	30	30	30	30
Weight (kg)	47	47	47	47
User Interface				
Knob	•	•	•	•
Microprocessor controlled/Timer	•	•	•	•
Display	Line Series+	Line Series	Circle Series	Circle Series
Drying programmes				
Auto Extra Dry	•	•	•	•
Auto Dry	•	•	•	•
Auto Normal Dry	•	•	•	•
Auto Iron Dry	•	•	•	•
Jeans	•	•	•	•
Synthetics	•	•	•	•
Time programme (mm)	5-180	5-180	60	60
Airing programme (mm)	5-180	5-180	60	60
Drying Options				
Anti-crease programme (min)	60/120/180	120	120	120
Temperature option:low/normal	•	•	•	•
Quick cool down (3 min)	•	•	•	•
Buzzer	•	•	•	•
Delayed start (h)	0.5-24	1-24	1-24	1-24
Feature				
Internal light	•	•	•	•
Operating Data (10A Connection)				
Capacity (kg)	7	7	7	7
Energy efficiency rating on a scale of A to G	B	B	C	C
DRY COTTON				
Energy Consumption (kWh/kg)	0.64	0.64	0.73	0.73
Energy Consumption (kWh/cycle)	4.48	4.48	5.1	5.1
Time (mins/cycle)	135	135	140	140
DRY IRON				
Energy Consumption (kWh/kg)	0.59	0.59	0.66	0.66
Energy Consumption (kWh/cycle)	4.13	4.13	4.6	4.6
Time (mins/cycle)	120	120	120	120
EASY CARE				
Energy Consumption (kWh/kg)	0.46	0.46	0.53	0.53
Energy Consumption (kWh/cycle)	1.61	1.61	1.9	1.9
Time (mins/cycle)	50	50	50	50
Estimated annual consumption for a four person household (kWh)	330	330	374	374
Noise db(A) re 1pW	66	66	68	68
Technical Data				
Stainless Steel Drum	•	•	•	•
Power rating	2.2	2.2	2.2	2.2
Rated voltage (v)	230	230	230	230
Frequency (Hz)	50	50	50	50
Fuse (a)	10	10	10	10/16
Electrical cord, length (mm)	2100	2100	2100	2100
Drain hose length (mm)	2000	2000	2000	2000

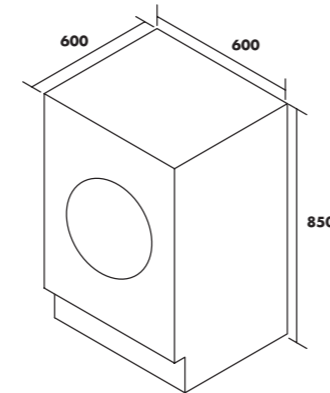


tt - titanium
ss - stainless steel
bl - black

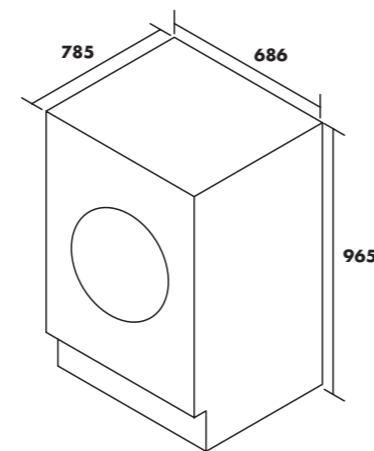
SPECIFICATIONS

Premium 60 Series Washing

Model	Premuim Series 60 Washing		Super Capacity Washing
	MWA 0814FWN Free standing	MWA 0814FBN Free standing	MWA 1112FBS Free standing
Colour	White	Black	Black
Dimensions			
Appliance height (mm)	850	850	965
Appliance width (mm)	600	600	686
Appliance depth (mm)	600	600	785
Appliance depth with door open (mm)			
Weight (kg)	73	73	105.2
Performance			
Energy rating	A+	A+	A
Washing performance	A	A	A
Spinning efficiency	A	A	B
Water consumption (litres) based on 60 degree wash	64	64	86
Energy consumption (kWh/cycle)	1.36	1.36	1.87
Noise level wash/spin db(A)			56/74
Specification			
Load capacity (kg)	8	8	11
Spin speed (rpm)	1400	1400	1200
No. of programmes	14	14	15
Cottons	•	•	•
Colours	•	•	•
Daily load	•	•	•
Large load	•	•	•
Delicates	•	•	•
Synthetics	•	•	•
Wool	•	•	•
Hand wash	•	•	•
Quick wash	•	•	•
Variable temperature	•	•	•
Rinse hold	•	•	•
Super rinse	•	•	•
Spin speed reduction			•
Extra rinse			•
Eco steam	•	•	•
Easy iron	•	•	•
Rapid plus	•	•	•
Delay start	•	•	•
Intellisense®	•	•	•
Microban® dispenser draw	•	•	•



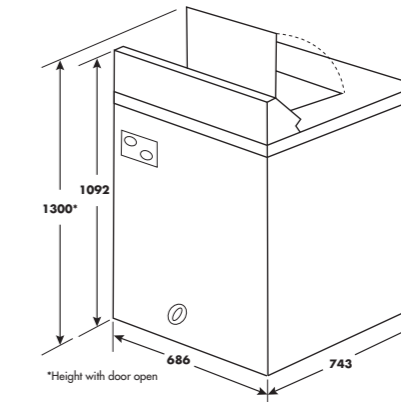
MWA 0814FWN/MWA 0814FBN



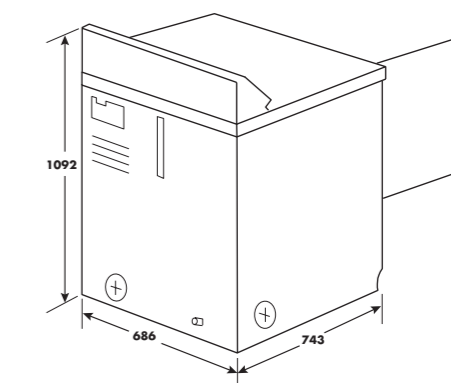
MWA 1112FBS

US Style Laundry

Model	Washing	Drying
	3RMTW4905TW	3RMED4905TW
Colour	White	White
Dimensions		
Adjustment Feet	4	4
Height (mm) including control panel	1092	1092
Width (mm)	686	686
Depth (mm)	743	743
Appliance Height with Door Open (mm)	1300	
Specification		
Loading Method	Top loading	Front loading
Capacity (kg)	8.2	10
No. of programmes	5	7
Energy Rating/Consumption (kWh)	G/0.63	C/6.50
Drying System		Vented
Automatic Sensor Drying		•
Features		
Spin Speed (rpm)	650	
Casual	•	
Delicates	•	
Hand washable	•	
Normal	•	
Extra rinse	•	
Temperature selector	•	
Water level selector	•	
Timed dry programmes		•
Air fluff		•
Freshen up		•
Front mounted lint screen		•
1000mm/2ft vent hose		•
Rear air venting		•
100mm metal duct		•
Connect required		•



3RMTW4905TW



3RMED4905TW

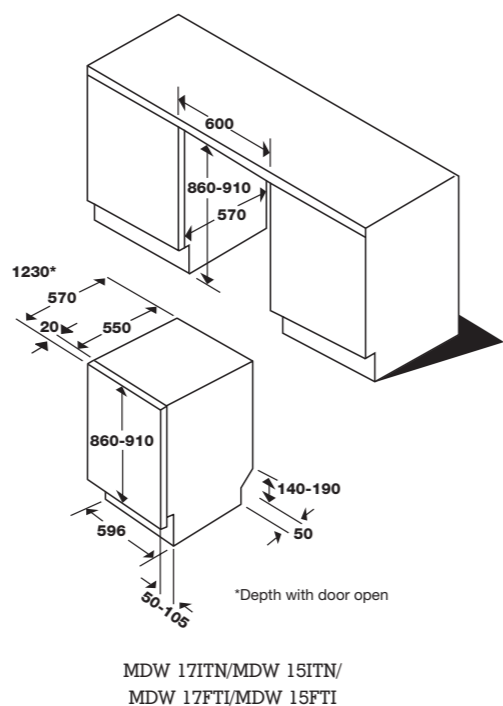
* American washing machines requires equal water pressure in both the hot and cold inlet hoses. The water pressure must be between 30 and 120psi. The American tumble dryer requires a 30 amp electrical connection and should be vented into rigid metal ducting due to high temperatures.

We at Maytag are constantly working to make our products better. We therefore reserve the right to change designs or specifications without any notice. E&OE.

SPECIFICATIONS

Dishwashing

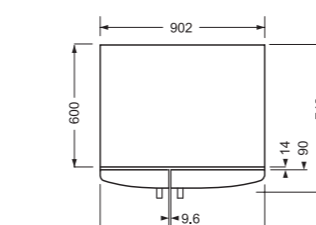
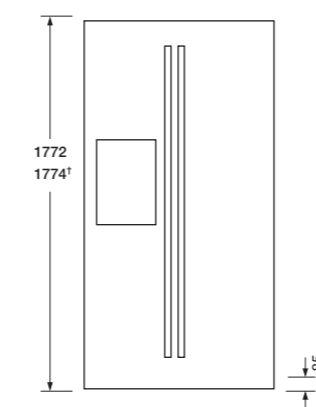
Model	XXL ¹⁷			
	XXL ¹⁷		MDW 15ITN Fully Integrated	MDW 15FTI Free standing
	MDW 17ITN Fully Integrated	MDW 17FTI Free standing		
Dimensions				
Height without/with worktop	860/890	860/890	860/890	860/890
Width, built in/free standing (mm)	596/600	596/600	596/600	596/600
Depth (mm)	570	570	570	570
Depth with door open (mm)	1230	1230	1230	1230
Height adjustment (mm)	50	50	50	50
Maximum plate size (mm)	390	390	390	390
Total loading height (mm)	580	580	580	580
Weight built in, without/with softener (kg)	53/56	53/56	53/56	53/56
Wash programme				
Auto wash	•	•	•	•
Daily wash	•	•	•	•
Time wash	•	•	•	•
Quick wash	•	•	•	•
Heavy wash	•	•	•	•
Normal wash	•	•	•	•
Mix wash	•	•	•	•
1/2 Load - Upper rack	•	•	•	•
1/2 Load - Lower rack	•	•	•	•
Delicate/Glass wash	•	•	•	•
Rinse and hold	•	•	•	•
Rinse and dry	•	•	•	•
Turbo dry	•	•	•	•
Programming Options				
Delayed start	•	•	•	•
1/2 Load	•	•	•	•
Temperature	D	D	B	B
Drying optional	•	•	•	•
SuperRinse™	•	•	•	•
CoolTouch™	•	•	•	•
Time saver	•	•	•	•
Time set	•	•	•	•
Operating Data				
Energy efficiency rating A-G	A	A	A	A
Energy consumption (15c inlet) kWh	1.05	1.05	1.05	1.05
Cleaning performance rating A-G	A	A	A	A
Drying performance rating A-G	A	A	A	A
Standard place settings ¹	17	17	15	15
Water consumption with/without softener (litres)	9.9	9.9	11	11
Programme time (min)	170	170	170	170
Estimated annual consumption (220 cycles) kWh	229	229	231	231
Sound power level db(A)	45	45	47	47
Water connection				
Pex hose connection dimensions (inch)	3/4	3/4	3/4	3/4
Required inlet water pressure (Mpa)	0.03-7	0.03-7	0.03-7	0.03-7
Inlet hose length (mm)	1650	1650	1650	1650
Drain hose length (mm)	1600	1600	1600	1600
Softener: 0.7 dH/No. of adj.lev.	10	10	10	10
Electrical Specification				
Rated voltage (v)	230	230	230	230
Frequency (Hz)	50/60	50/60	50/60	50/60
Power rating (kW)	1.7	1.7	1.7	1.7
Fuse (a)	10	10	10	10
Cleaning				
Spray zones	10	10	8	8
Power zones	3	3	3	3



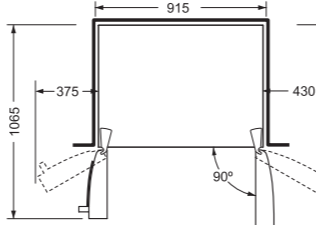
MDW 17ITN/MDW 15ITN/
MDW 17FTI/MDW 15FTI

Refrigeration

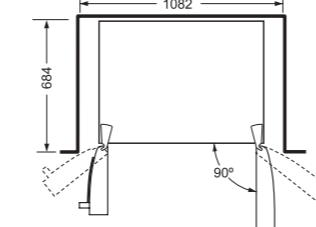
Model	New Trim Kit Model	Trilogy	Customised				Core					
			MSS 20 TBBI4 Fitted trim kit/ Gloss Black panels fitted	SOV028TB Trilogy 3 door	MSS 20 CGII4 Glass line doors/ SS cabinet	MSS 20 CGSI4 Glass line doors/ silver cabinet	MSS 20 CIII4 SS Doors/ SS cabinet	MSS 20 CISI4 SS Doors/ silver cabinet	MSS 20 FISI4 Finger proof SS flat doors with contoured edge/ silver cabinet	MSS 20 FSSI4 Silver flat doors with contoured edge/black cabinet	MSS 20 FBBI3 Black flat door with contoured edge/silver cabinet	MSS 20 FBBI3 Black flat door with contoured edge/black cabinet
Dimensions												
Cabinet height with top box (mm)			1805	1805	1805	1805						
Cabinet height with hinge (mm)	1774	1796					1772	1772	1772	1772		
Cabinet width (mm)	902	915	906	906	906	906	902	902	902	902		
Cabinet depth without door (mm)	600	599	602	602	602	602	600	600	600	600		
Cabinet depth with door (mm)	748	675	748	748	748	748	743	743	743	743		
Depth with door open to 90 degrees (mm)	1130		1130	1130	1130	1130	1135	1135	1135	1135		
Distance from side wall to allow full access (mm)*	355	400	355	355	355	355	375	375	375	375		
Approximate shipping weight (kgs)	146	168	146	146	146	146	109.5	109.5	109.5	109.5		
System controls												
Control system	Electronic	Electronic	Electronic	Electronic	Electronic	Electronic	Electronic	Electronic	Electronic	Electronic		
Ice and water dispenser	•	•	•	•	•	•	•	•	•	•		
Microban® filter	•	•	•	•	•	•	•	•	•	•		
Water filter	•	•	•	•	•	•	•	•	•	•		
Water filter indicator	•	•	•	•	•	•	•	•	•	•		
Chilled water	•	•	•	•	•	•	•	•	•	•		
Cubed ice	•	•	•	•	•	•	•	•	•	•		
Crushed ice	•	•	•	•	•	•	•	•	•	•		
Dispenser light	•	•	•	•	•	•	•	•	•	•		
In door ice dispenser	•	•	•	•	•	•	•	•	•	•		
Intellisense® technology	•	•	•	•	•	•	•	•	•	•		
In door crisper	•	•	•	•	•	•	•	•	•	•		
Performance and capacity												
Feature level type	Best	Best	Best	Best	Best	Best	Better	Good	Better	Good		
Total Capacity gross litres	540	540	540	540	540	540	540	540	540	540		
Total Capacity net litres	505	505	505	505	505	505	505	505	505	505		
Fresh food capacity gross litres	334	334	334	334	334	334	334	334	334	334		
Fresh food capacity net litres	325	325	325	325	325	325	325	325	325	325		
Freezer capacity gross litres	206	206	206	206	206	206	206	206	206	206		
Freezer capacity net litres	180	180	180	180	180	180	180	180	180	180		
Total shelf area (cu.ft)		22.2										
Energy class	A+	A	A+	A+	A+	A+	A+	A+	A+	A+		
Freezing In Capacity	12	12	12	12	12	12	12	12	12	12		
Star rating of freezer	4	4	4	4	4	4	4	4	4	4		
Voltage/hertz	50	50	50	50	50	50	50	50	50	50		
Noise db(A)	45	44	45	45	45	45	45	45	45	45		
Energy consumption (kWh)	438	547	438	438	438	438	438	438	438	438		
Multi - flow	•	•	•	•	•	•	•	•	•	•		
Extra Features												
Anti-bacterial Microban® protection	•	•	•	•	•	•	•	•	•	•		
Fully frost free	•	•	•	•	•	•	•	•	•	•		
Freezer shelves	•	n/a	•	•	•	•	•	•	•	•		
Fridge shelves	•	drawer	•	•	•	•	•	•	•	•		
Fridge shelves glass spinguard	•	•	•	•	•	•	•	•	•	•		
Humidity controlled crisper drawer	•	•	•	•	•	•	•	•	•	•		
Adjustable zero degree meat container	•	•	•	•	•	•	•	•	•	•		
Chef's pantry	•	•	•	•	•	•	•	•	•	•		
Refrigerator lights	•	•	•	•	•	•	•	•	•	•		
Black out alert	•	•	•	•	•	•	•	•	•	•		
Freezer lights	•	•	•	•	•	•	•	•	•	•		
Fitted panel kit for 6mm panels	•	•	•	•	•	•	•	•	•	•		
Power cut safe time (hrs)	5	7	5	5	5	5	5	5	5	5		



For fitting proud of adjacent units



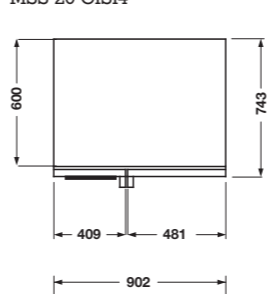
For fitting flush with adjacent units



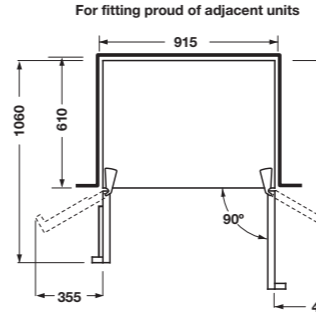
MSS 20 FISI4/MSS 20 FSSI3/
MSS 20 FBBI4/MSS 20 FBBI3

Contact Maytag for the panel dimensions.

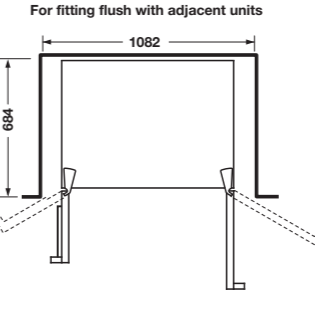
MSS 20 TBBI4/MSS20 CGII4/
MSS 20 CGSI4/MSS 20 CIII4/
MSS 20 CISI4



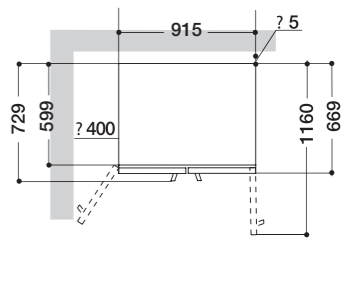
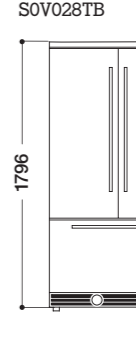
For fitting proud of adjacent units



For fitting flush with adjacent units



SOV028TB



¹IEC standard testing

SPECIFICATIONS

Looking after your Maytag appliances

We know you'll always want your beautiful Maytag appliance to look its best. We've made that easy for you, not just with intelligent design that makes cleaning and everyday maintenance simple and straightforward, but also by offering a selection of specialist products. Each one has been carefully chosen and tested by Maytag, and we recommend that you use them for the very best results. Just a few minutes tender loving care every now and then will keep your Maytag machine looking fabulous and operating efficiently for many, many years to come.



Fridge Cleaner & Defroster

Fridge cleaner: Eliminates marks and food residues leaving a pleasant lemon smell in the fridge or freezer. Its decontaminating formula helps to fight against the risks of listeria.

Code : 481281719455 FCS300

Defroster: Eliminates ice deposits in the fridge and the freezer quickly and easily. Protects the ozone layer.

Code: 480181700019



Timestrip®

Timestrip® shows how long food has been kept in the freezer under normal freezing conditions (-18°C), ensuring best quality and freshness. Always handy thanks to its magnetic box which you can keep on the freezer door. 25 stickers.

Codes: 480181700017



Microban® Antibacterial Filter

Developed by Maytag together with Microban®, the market leader in antibacterial solutions. 100% of the fridge air passes through this high-tech filter. 2 in 1: no odours, no bacteria. For perfect performance of your refrigerator you need to replace it every 6 months. It can be installed only in Maytag refrigerators that have the appropriate technology.

Code: 481248048172 ANTF-MIC



Water Filtration Cartridge for Side by Side Refrigerators

Maytag filter cartridge eliminates impurities and sediments, providing better tasting water and drinks, clearer water and translucent ice cubes. Designed to filter 1500 litres, the cartridge has a duration of about 6 months, after which it can be easily replaced.

Code: 481281729632 SBS002



Stainless Steel Cream Cleaner

Cleans, protects and shines all stainless steel surfaces by providing a protective coating, which is also water-resistant. The cream also leaves a pleasant lemon fragrance.

Codes: 481281719457 SSC300



Stainless Steel & Glass Polish

Unique aerosol polish to clean and shine all stainless steel surfaces: hobs, cooker hoods, ovens, fridges. Also very effective on glass surfaces. Lemon fragrance. Does not damage the ozone layer.

Codes: 481281719461 IWC002



Terra Bianca Universal Cleaner Degreaser

The "Terra Bianca" anti-bacterial and non-abrasive formula cleans, polishes and protects all smooth surfaces: chrome, aluminium, stainless steel, gold, silver, copper, tin, brass, enamel, glass, plastic, etc. It comes with its own double-sided sponge: one soft side (yellow) and one scraper side (blue). Perfectly suited for cleaning and degreasing domestic electrical appliances, tiles, taps, cars, boats, caravans, motorbikes, baths, basins, sinks, furniture, work surface, etc...



3M Microfibre Cleaning Cloth

Ideal for cleaning everything in the house without scratching or leaving marks or fluff: work surfaces, stainless steel surfaces, etc. with or without detergent. Lifts and traps dirt, dust particles and grease. Bleach resistant - even non diluted. Machine washable (60-95°C).

Codes: 481281729828 MFC001



Dishwasher Deodorizer

Eliminates unwanted smells from your dishwasher, leaving a pleasant lemon perfume. All the unpleasant smells caused by dirty plates, cutlery, and glasses are eliminated. Separate lemon and grapefruit aroma. Works for 60 washes. Non-toxic product.

Code: 481281718847 DWD010



Washing Machine and Dishwasher Descaler

Eliminates limescale deposits. Optimises performance and prolongs the life of the appliances. Formula approved by the professionals and 99% biodegradable. Works for 60 washes. Non-toxic product.

Code: 481281719427 DES002



24 Dishwasher Tabs All-in-1

24 dishwasher tabs all-in-1, lemon freshness, water soluble pouch, 100% biodegradable. Excellent cleaning results: De-grease your dishes perfectly without damaging them. Remove even hard to shift deposits. Functions: rinse aid, salt, glass protection, anti limescale, efficient at 40°C & eco programme. Formula tested and recommended by Maytag.

Code: 481281719293 TAB002



Dishwasher Degreaser

Eliminates grease and food residues and prevents unpleasant smells in the dishwasher. Formula approved by the professionals and 90% biodegradable.

Codes: 481281719431 DDG002

Customer Service and Warranty

Maytag offers you a dedicated service, guaranteeing quality personal care and attention, meaning that through our sense of difference in superior service, you can enjoy a perfect sense of serenity.



Contact Centre

Answers to all your questions.

The Customer Service Contact Centre gives you direct line access to Maytag's specialised operators for everything you need to know about Maytag appliances and their functions. Practical day-to-day help includes information on our products' functions, Authorised Service Partners and Extended Warranties.

Authorised Service

The quality of authorised service.

Authorised repair centres throughout Europe with all technicians trained by Maytag. You can also be assured that only authentic Maytag spare parts are used and that you will enjoy a prompt response every time you use these facilities.

Extended Warranty

Protected for 10 years.

Maytag offers you the option to extend the product warranty by subscribing to one of the Maytag Extended Warranty offers. During this period you can count on trained Maytag technicians and authentic Maytag spare parts. This additional service provides you with a perfect sense of serenity.

PRE BUY & CUSTOMER SERVICE LINE

0844 499 0101



2 Year Warranty

The Maytag brand stands for exceptional quality... from the innovative designs on the drawing board, through the choice of only the finest material, to assembly by craftsmen who take a genuine pride in their work. But this attention to detail doesn't end the day you make your purchase. Maytag appliances are delivered by experienced technicians whose job it is to ensure your product arrives in first class condition... and in perfect working order. That's why at Maytag Laundry, Dishwashing and Refrigeration products enjoy a full 2 year parts and labour warranty.

While every effort has been made to ensure that the information contained in this brochure is correct at time of going to press, Maytag cannot be held responsible for any errors or omissions that may come to light after publication. Products offered for sale may differ from those described or illustrated here and Maytag reserve the right to alter specifications without prior notice. Due to printing limitations, colours of appliances illustrated herein cannot be guaranteed accurate and should be used for guidance only. If particular features, colours or measurements are important to you please check with your Maytag dealer before purchase.



Telephone: +44(0)844 499 0101
Fax: +44(0)20 8649 5078
Website: www.maytag.co.uk
Maytag UK, 209 Purley Way, Croydon, CR9 4RY

THAT'S BETTER.



Built Strong to Last Long.

Free Manuals Download Website

<http://myh66.com>

<http://usermanuals.us>

<http://www.somanuals.com>

<http://www.4manuals.cc>

<http://www.manual-lib.com>

<http://www.404manual.com>

<http://www.luxmanual.com>

<http://aubethermostatmanual.com>

Golf course search by state

<http://golfingnear.com>

Email search by domain

<http://emailbydomain.com>

Auto manuals search

<http://auto.somanuals.com>

TV manuals search

<http://tv.somanuals.com>