



Stack washer/dryers



In addition to eliminating hassles with coins, debit card systems greatly reduce the likelihood of machine vandalism.

What's more, the debit cards offer a wealth of opportunities for promotionally minded owners.

Models MLE/MLG19PR

A Maytag stack washer/dryer gives you a full-size high-efficiency washer and a full-size super capacity dryer that fit in the space of a washer alone. So it's the perfect choice where space is at a premium, or when you want to accommodate more customers without expanding your facility. But more than saving space, the Maytag stack washer/dryer can also save a lot on water, sewer and energy bills.

debit card ready

Compatible with a variety of systems for greater flexibility!

For Your Customers:

- Up to 32% greater capacity than washers with an agitator for handling bigger loads and bulky items.
- 220 cubic foot per minute airflow dries laundry quickly and efficiently to keep in sync with washer.
- User-friendly Super Cycle provides option of three more minutes of wash time, extra rinse or both.
- No hassling with loose change.

For Your Operation:

- Automatic load balancing allows maximum spin speed to extract more water for less drying time.
- Built-in over-sudsing protection.
- Maytag Computer Trac® controls let you adjust pricing by cycle, day and time.
- Optional two-way data communication.

Models MLE/MLG19PR

WASHER

Motor: 120 volt, 50/60 Hz, variable speed, reversible, high-efficiency, switched reluctance motor. Develops 1/4 HP in wash and 1/2 HP in spin.

Capacity: 2.9 cubic feet (0.08 cu. m).

Inlet Hose Length: 4 feet (1.22 m).

Drain Hose Length: 4 feet (1.22 m).

Approximate Water Usage: 5 gallons (18.9 liters) hot water cycle, 2.5 gallons (9.5 liters) warm water cycle, 18-21 gallons (68.1-79.5 liters) overall!

Leveling Legs: Adjustable to level unit for proper installation.

[†]If optional additional rinse is used, add 5 gallons; not dependent on incoming pressure or time.

DRYER

Motor: 1/4 HP, 120 volt, 60 Hz, single phase, thermoprotected against overload, auto-reset. Export models 240 volts, 50 Hz and 220 volts, 60 Hz.

Capacity: 6.0 cubic feet (0.17 cu. m).

Airflow: 220 cubic feet (6.2 cu. m) per minute for the drying chamber. Export models 180 cubic feet (5.0 cu. m) per minute.

Exhaust: Use a minimum of 4 inch (10.2 cm) diameter rigid aluminum or galvanized steel duct. Never use plastic, non-metal or combustible duct.

Heating Element (MLE Models): Nichrome helix coil.

Electrical Rating (MLE Models): 240 volt, AC, 60 Hz, draws approximately 5,900 watts for the drying chamber (6,300 watts including washer). Export models draw approximately 4,900 watts.

Fuse Requirements: MLE models – 30 amp. MLG models – 15 amp.

Single Port Burners (MLG Models): Automatic electric burner ignition.

Gas Rating (MLG Models): 24,000 BTU/hr for the drying chamber.

Automatic Pressure Regulator (MLG Models): Self-adjusting valve automatically compensates for variation in gas pressure.

Color: White.

Approximate Weight (Crated/Uncrated): 335 lbs. (152 kg)/303 lbs. (137 kg).

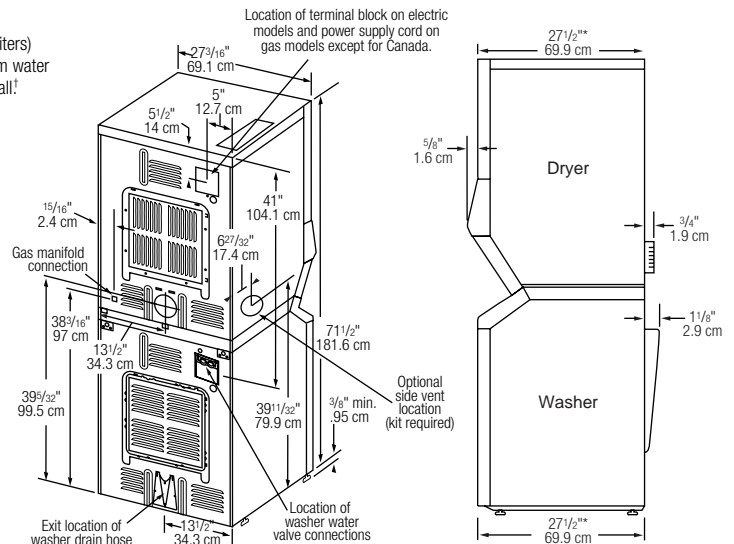


NEW YORK CITY
M.E.A.



See specific instructions for proper installation. Specifications are subject to change without notice.

Location of terminal block on electric models and power supply cord on gas models except for Canada.



*Additional depth with venting will take from 1 1/8" to 7" (2.9 cm to 17.9 cm) of depth depending on the vent method used.

For model availability outside the U.S. and Canada, contact:

Maytag International, Inc.
8700 West Bryn Mawr
Chicago, IL 60361

Phone: 773-714-0100
Fax: 773-714-8180

Quality Features



Stainless Steel Wash Basket

Tilted up at a 15° angle for greater convenience, Maytag premium quality wash basket is designed to last a lifetime.



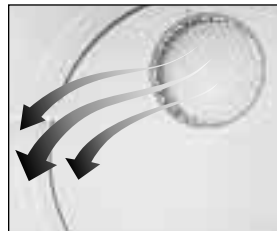
Precision Endurance Drive

No transmission to service. Maytag precision drive system self-adjusts its speed to adapt to every installation.



Computer Trac® Controls

Simple to operate. The panel displays prices, instructions and more. Once the cycle begins, it counts down the remaining time.



Fast And Efficient Drying

Our 220 cubic foot per minute diagonal airflow means fast and efficient drying performance, even with difficult installations.

Maytag Limited Warranty

2 YEARS – All parts.

5 YEARS – Washer motor, wash basket, shaft assembly, bearings, seals and external cabinet against rust-through, including the shell, top, door and frame.

For a period from the date of original purchase through the times listed above, the designated parts which fail in normal commercial use will be repaired or replaced free of charge for the part itself, with the owner paying all other costs, including labor, transportation and customs duty. Chemical damage is excluded from all warranty coverage. See complete warranty for details.



Free Manuals Download Website

<http://myh66.com>

<http://usermanuals.us>

<http://www.somanuals.com>

<http://www.4manuals.cc>

<http://www.manual-lib.com>

<http://www.404manual.com>

<http://www.luxmanual.com>

<http://aubethermostatmanual.com>

Golf course search by state

<http://golfingnear.com>

Email search by domain

<http://emailbydomain.com>

Auto manuals search

<http://auto.somanuals.com>

TV manuals search

<http://tv.somanuals.com>