



INSTALLATION INSTRUCTIONS

COMMERCIAL FRONT-LOAD WASHER

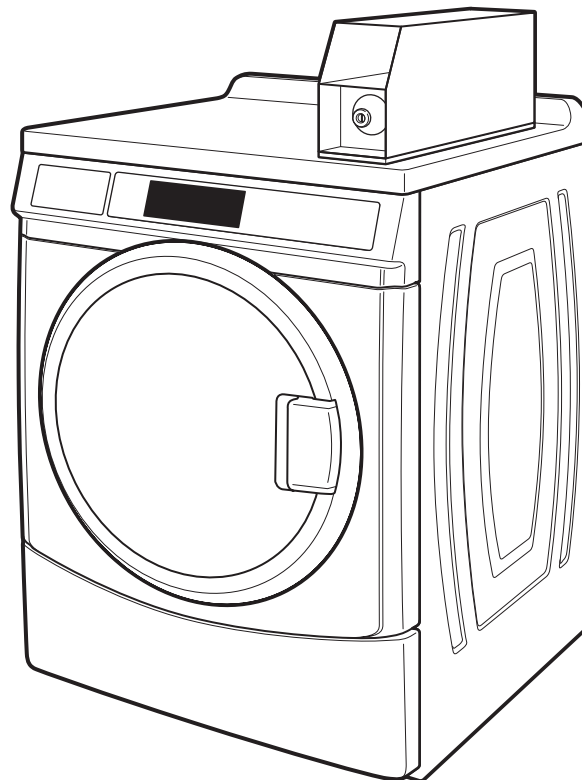
INSTRUCTIONS D'INSTALLATION

LAVE-LINGE COMMERCIAL À CHARGEMENT FRONTAL

Table of Contents/Table des matières..... 2

Las Instrucciones de instalación en español e italiano están disponibles en www.maytagcommerciallaundry.com

Le istruzioni per l'installazione in spagnolo e in italiano sono disponibili su www.maytagcommerciallaundry.com



Model/Modèle
MAH22PDAGW0 & MAH22PNAGW0

W10299730A
www.maytagcommerciallaundry.com

TABLE OF CONTENTS

WASHER SAFETY	2
WASHER DISPOSAL	3
INSTALLATION REQUIREMENTS	4
Tools and Parts	4
Options	4
Location Requirements	4
Drain System	5
Electrical Requirements	6
INSTALLATION INSTRUCTIONS	6
Remove Transport System	6
Power Cord Installation	7
Connect the Inlet Hoses	7
Route the Drain Hose	8
Secure the Drain Hose	8
Level the Washer	8
Payment System Set-up	9
Installing Pad Strips	9
Complete Installation	9
USER & SET-UP INSTRUCTIONS	9
General Information	9
Control Set-up Procedures	10
Set-up Codes	10
Washer Diagnostic Mode	13
WASHER CARE	15
Cleaning Your Washer	15
Water Inlet Hoses	16
ASSISTANCE OR SERVICE	16
Accessories	16
WARRANTY	17

TABLE DES MATIERES

SECURITE DU LAVE-LINGE	18
MISE AU REBUT DU LAVE-LINGE	19
EXIGENCES D'INSTALLATION	19
Outillage et pièces	19
Options	20
Exigences d'emplacement	20
Système de vidange	21
Spécifications électriques	21
INSTRUCTIONS D'INSTALLATION	22
Dépose du système de transport	22
Installation du cordon d'alimentation	22
Raccordement des tuyaux d'arrivée d'eau	23
Acheminement du tuyau de vidange	24
Immobilisation du tuyau de vidange	24
Réglage de l'aplomb du lave-linge	24
Réglage du système de paiement	25
Installation des bandes de protection	25
Achever l'installation	25
INSTRUCTIONS D'UTILISATION ET D'INSTALLATION	26
Informations générales	26
Procédures de réglage des systèmes de commande	26
Codes de paramétrage	27
Mode de diagnostic du lave-linge	30
ENTRETIEN DU LAVE-LINGE	32
Nettoyage du lave-linge	32
Tuyaux d'arrivée d'eau	33
ASSISTANCE OU SERVICE	33
Accessoires	33
GARANTIE	34

WASHER SAFETY

Your safety and the safety of others are very important.

We have provided many important safety messages in this manual and on your appliance. Always read and obey all safety messages.



This is the safety alert symbol.

This symbol alerts you to potential hazards that can kill or hurt you and others.

All safety messages will follow the safety alert symbol and either the word "DANGER" or "WARNING."

These words mean:

⚠ DANGER

You can be killed or seriously injured if you don't immediately follow instructions.

⚠ WARNING

You can be killed or seriously injured if you don't follow instructions.

All safety messages will tell you what the potential hazard is, tell you how to reduce the chance of injury, and tell you what can happen if the instructions are not followed.

IMPORTANT SAFETY INSTRUCTIONS

WARNING: To reduce the risk of fire, electric shock, or injury to persons when using the washer, follow basic precautions, including the following:

- Read all instructions before using the washer.
- Do not wash articles that have been previously cleaned in, washed in, soaked in, or spotted with petrol, dry-cleaning solvents, other flammable or explosive substances as they give off vapours that could ignite or explode.
- Do not add petrol, dry-cleaning solvents, or other flammable, or explosive substances to the wash water. These substances give off vapours that could ignite or explode.
- Under certain conditions, hydrogen gas may be produced in a hot water system that has not been used for 2 weeks or more. **HYDROGEN GAS IS EXPLOSIVE.** If the hot water system has not been used for such a period, before using the washing machine, turn on all hot water taps and let the water flow from each for several minutes. This will release any accumulated hydrogen gas. As the gas is flammable, do not smoke or use an open flame during this time.
- Do not allow children to play on or in the washer. Close supervision of children is necessary when the washer is used near children.
- The appliance is not intended for use by young children or infirm persons without supervision.
- Before the washer is removed from service or discarded, remove the door or lid.
- Do not reach into the washer if the drum, tub or agitator is moving.
- Do not install or store the washer where it will be exposed to the weather.
- Do not tamper with controls.
- Do not repair or replace any part of the washer or attempt any servicing unless specifically recommended in this Use and Care Guide or in published user-repair instructions that you understand and have the skills to carry out.
- See Installation Instructions for earthing requirements.
- If the supply cord is damaged, it must be replaced by the manufacturer or its service agent or a similarly qualified person in order to avoid a hazard.

SAVE THESE INSTRUCTIONS

WASHER DISPOSAL



This appliance is marked according to the European directive 2002/ 96/ EC on Waste Electrical and Electronic Equipment (WEEE).

By ensuring this product is disposed of correctly, you will help avoid potential negative consequences for the environment and human health, which could otherwise be caused by inappropriate waste handling of this product.

The symbol on the product, or on the documents accompanying the product, indicates that this appliance may not be treated as household waste. Instead it shall be handed over to the applicable collection point for the recycling of electrical and electronic equipment.

Disposal must be carried out in accordance with local environmental regulations for waste disposal.

For more detailed information about treatment, recovery and recycling of this product, please contact your local city office, your household waste disposal service or the shop where you purchased the product.

INSTALLATION REQUIREMENTS

Tools and Parts

Gather the required tools and parts before starting installation. The parts supplied are in the washer drum.

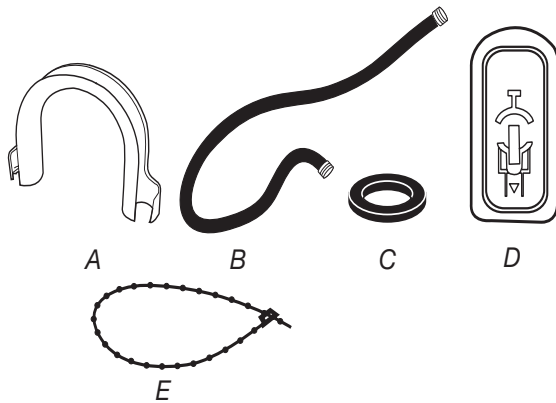
Tools needed for connecting the water inlet hoses

- Pliers (that open to 39.5 mm [1 9/16"])
- Flashlight (optional)

Tools needed for installation

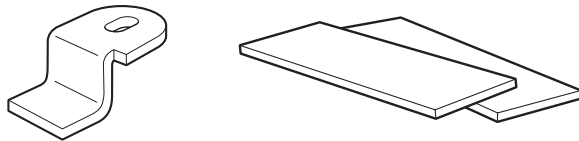
- Open end wrenches 1/2" and 9/16"
- Torx®† T-20 Security screwdriver
- 1/4" nut driver
- Level
- Wood block
- Ruler or measuring tape

Parts supplied



- A. U-shaped hose form
- B. Water inlet hoses (2)
- C. Inlet hose washers (4)
- D. Transit bolt hole plug (4)
- E. Beaded tie strap

Parts supplied for PD Models:



Service door lock cam

Foam pads

Parts supplied for PD Models:

- Coin sensor white
- Coin sensor black

Alternate Parts

Your installation may require additional parts. If you are interested in purchasing one of the items listed here contact your authorized Maytag distributor.

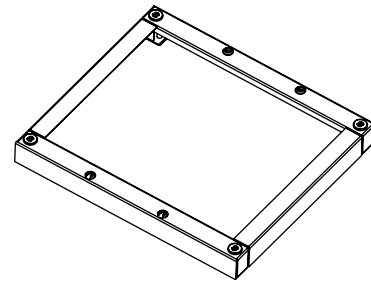
If You Have	You Will Need to Buy
Laundry tub or standpipe taller than 2.4 m (96")	Sump pump system (if not already available)

If You Have	You Will Need to Buy
Overhead sewer	Standard 76 L (20 gal.), 762 mm (30") tall drain tub or utility sink and sump pump (available from local plumbing suppliers)
Floor drain	Siphon break, Part Number 285834; additional drain hose, Part Number 8318155; and connector kit, Part Number 285835
Drain hose too short	1.2 m (4 ft.) drain hose extension kit, Part Number 285863
Water taps beyond reach of fill hoses	2 longer water fill hoses: 1.8 m (6 ft.) Part Number 76314 3.0 m (10 ft.) Part Number 350008

Options

Pedestal

You have the option of purchasing pedestals separately for this washer. The pedestal will add to the total height of the washer.



Optional pedestal

Pedestal Height	Approximate height with washer	Color	Model Number
(73 mm) 27/8"	(1207 mm) 47.5"	White	WHP0400VW

Location Requirements

Selecting the proper location for your washer improves performance and minimizes noise and possible washer "walk." Your washer can be installed under a custom counter, or in a basement, laundry room, or recessed area. See "Drain System." Companion appliance location requirements should also be considered. Proper installation is your responsibility.

You will need

- A water heater set to deliver 60°C (140°F) water to the washer.
- An earthed electrical outlet located within 1.8 m (6 ft.) of where the power cord is attached to the back of the washer. See "Electrical Requirements."
- Hot and cold water taps located within 1.2 m (4 ft.) of the hot and cold water fill valves, and water pressure of 137.9-689.6 kPa (20-100 psi).
- A level floor with a maximum slope of 25 mm (1") under entire washer. Installing the washer on soft floor surfaces, such as carpets or surfaces with foam backing, is not recommended.

†® TORX is a registered trademark of Acument Intellectual Properties, LLC.

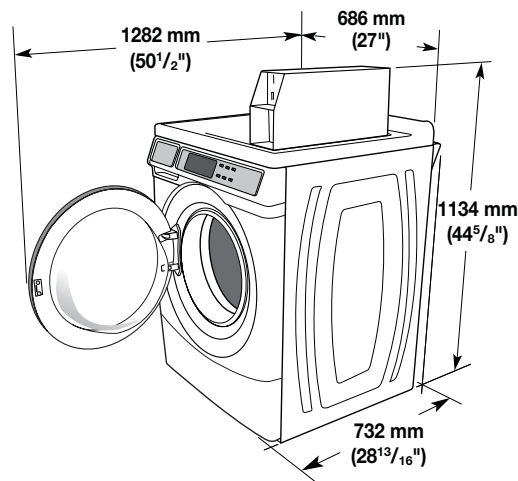
- A sturdy and solid floor to support the washer with a total weight (water and load) of 180 kg (400 lbs).

Do not operate your washer in temperatures below 0°C (32°F). Some water can remain in the washer and can cause damage in low temperatures.

Installation clearances

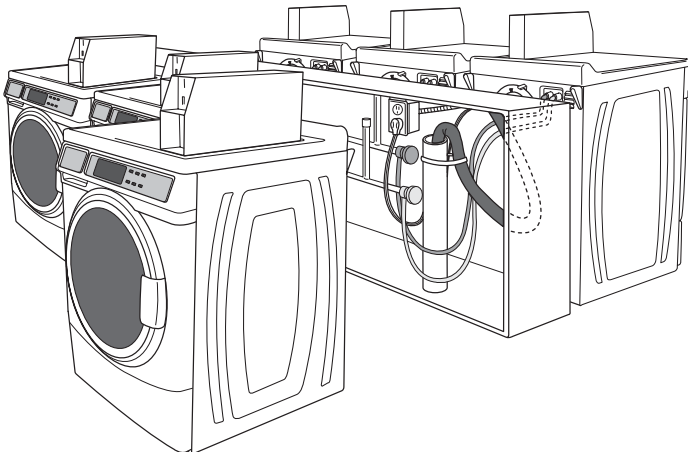
- The location must be large enough to allow the washer door to be fully opened.
- Additional spacing should be considered for ease of installation and servicing. The door opens more than 90° and it is not reversible.
- Additional clearances might be required for wall, door, and floor moldings.
- Additional spacing of 25 mm (1") on all sides of the washer is recommended to reduce noise transfer.
- Companion appliance spacing should also be considered.
- When installed, the mains plug should be accessible for washer disconnection from the mains supply.

Washer Dimensions



Door is not reversible.

A floor drain should be provided under the bulkhead. Prefabricated bulkheads with electrical outlets, water inlet lines, and drain facilities should be used only where local codes permit.



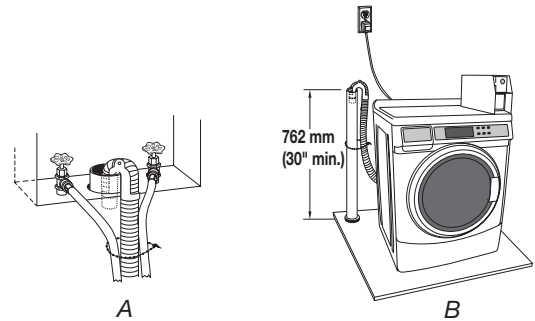
Drain System

The washer can be installed using the standpipe drain system (floor or wall), the laundry tub drain system, or the floor drain system. Select the drain hose installation method you need. See "Tools and Parts."

Standpipe drain system - wall or floor (views A & B)

The standpipe drain requires a minimum diameter standpipe of 50 mm (2"). The minimum carry-away capacity can be no less than 64 L (17 gal.) per minute.

The top of the standpipe must be at least 762 mm (30") high and no higher than 2.4 m (96") from the bottom of the washer.



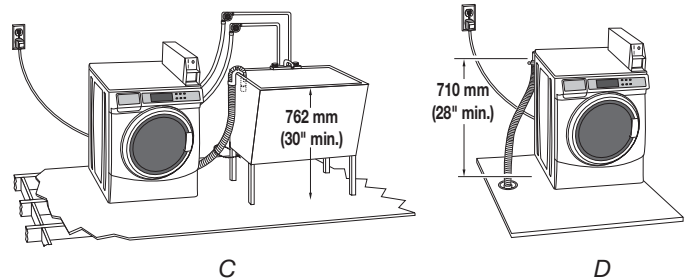
Laundry tub drain system (view C)

The laundry tub needs a minimum 76 L (20 gal.) capacity. The top of the laundry tub must be at least 762 mm (30") above the floor.

Floor drain system (view D)

The floor drain system requires a siphon break that may be purchased separately. See "Tools and Parts."

The siphon break must be a minimum of 710 mm (28") from the bottom of the washer. Additional hoses might be needed.



Electrical Requirements

⚠ WARNING



Electric Shock Hazard

Plug into an earthed socket outlet.

Do not use an adapter.

Do not use an extension cord.

Failure to follow these instructions can result in death, fire, or electric shock.

- A 220-240V, 50 Hz., fused electrical supply is required. A time-delay 10-16A fuse or circuit breaker is recommended.
- This washer is equipped with a power supply cord having an earthed plug.
- To minimize possible shock hazard, the cord must be plugged into an earthed socket outlet, earthed in accordance with local codes and ordinances. If a mating outlet is not available, it is the personal responsibility and obligation of the customer to have the properly earthed outlet installed by a qualified electrician.

- If codes permit and a separate earth wire is used, it is recommended that a qualified electrician determine that the earth path is adequate.
- If the supply cord is damaged, it must be replaced by the manufacturer, its service agent, or a qualified person to avoid a hazard.
- Do not earth to a gas pipe.
- Check with a qualified electrician if you are not sure the washer is properly earthed.
- Do not have a fuse in the neutral or earth circuit.

EARTHING INSTRUCTIONS

This washer must be earthed. In the event of a malfunction or breakdown, earthing will reduce the risk of electric shock by providing a path of least resistance for electric current. This washer is equipped with a cord having an equipment-earthing conductor and an earthing plug. The plug must be plugged into an appropriate outlet that is properly installed and earthed in accordance with all local codes and ordinances.

WARNING: Improper connection of the equipment-earthing conductor can result in a risk of electric shock. Check with a qualified electrician or serviceman if you are in doubt as to whether the appliance is properly earthed.

Do not modify the plug provided with the appliance – if it will not fit the outlet, have a proper outlet installed by a qualified electrician.

INSTALLATION INSTRUCTIONS

Remove Transport System

⚠ WARNING

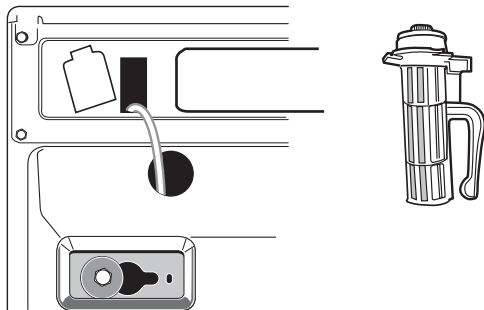
Excessive Weight Hazard

Use two or more people to move and install washer.

Failure to do so can result in back or other injury.

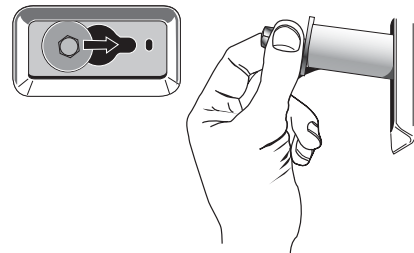
IMPORTANT: Position the washer so that the rear of the washer is within approximately 900 mm (3 ft.) of its final location.

There are 4 shipping bolts in the rear panel of the washer that support the suspension system during transportation. These bolts also retain the power cord inside the washer until the bolts are removed.



1. Keep the washer in the upright position while removing the shipping bolts.

2. Using a 1/2" wrench, loosen each of the bolts.
3. Once the bolt is loose, move it to the center of the hole and completely pull out the bolt, including the plastic spacer covering the bolt.

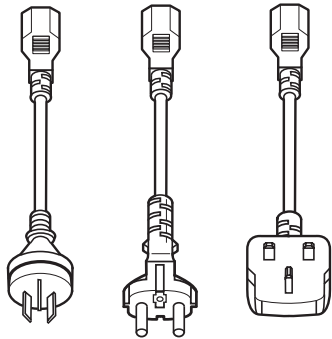


4. Once all 4 bolts are removed, discard the bolts and spacers. Then push the power cord plug into the opening on the right side of the rear panel and pull the power cord through the opening on the left side of the rear panel and close holes with the attached cap. Do not pull plug end of power cord through the right side hole.
5. Close the bolt holes with the 4 transport bolt hole plugs.

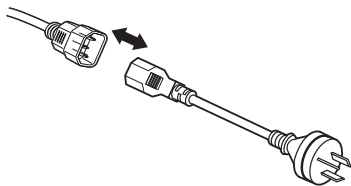
NOTE: If the washer is to be transported at a later date, call your product distributor or installer. To avoid suspension and structural damage, your washer must be properly set up for relocation by a trained professional.

Power Cord Installation

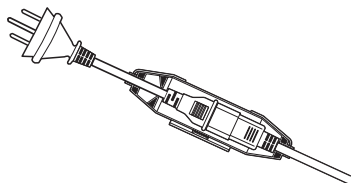
1. Select the plug that fits with the electric receptacle.



2. Assemble the plug into the end of the power cord.



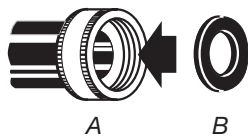
3. Secure the power cord by seating the connection on the cord lock.



4. Place the cord lock cover and push until it snaps.
5. Make sure the power cord connection is seated on the cord lock and that the cord lock clamps correctly.

Connect the Inlet Hoses

Insert new flat washers (supplied) into each end of the inlet hoses. Firmly seat the washers in the couplings.



A. Coupling
B. Washer

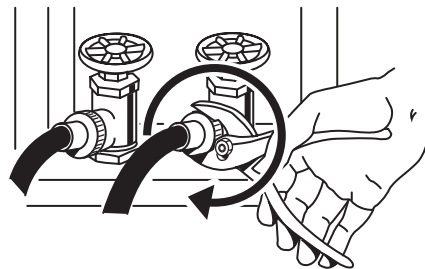
- Use the new inlet hoses supplied with washer. Do not re-use old inlet hoses.

Connect the inlet hoses to the water taps

Make sure the washer drum is empty.

1. Attach a hose to the hot water tap. Screw on coupling by hand until it is seated on the washer.
2. Attach a hose to the cold water tap. Screw on coupling by hand until it is seated on the washer.

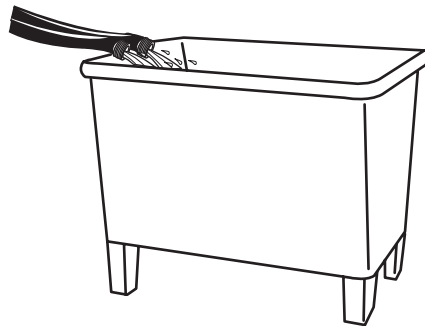
3. Using pliers, tighten the couplings with an additional two-thirds turn.



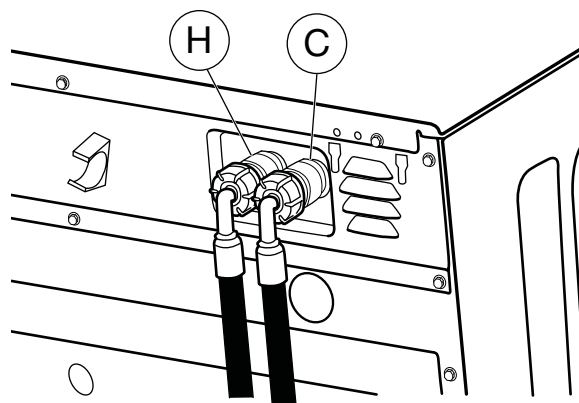
NOTE: Do not overtighten or use tape or sealants on the tap. Damage to the inlet hoses can result.

Clear water lines

- Run water through both taps and inlet hoses, into a laundry tub, drainpipe, or bucket, to get rid of particles in the water lines that might clog the inlet valve screens.
- Check the temperature of the water to make sure that the hot water hose is connected to the hot water tap and that the cold water hose is connected to the cold water tap.



Connect the inlet hoses to the check valves on washer



H. Hot water inlet
C. Cold water inlet

1. Attach the hot water hose to the check valve on washer's hot (H) water inlet valve. Screw on coupling by hand until it is seated on the check valve.
2. Attach the cold water hose to the check valve on washer's cold (C) water inlet valve. Screw on coupling by hand until it is seated on the check valve.
3. Using pliers, tighten the couplings with an additional two-thirds turn.

NOTE: Do not overtighten. Damage to the coupling can result.

- Turn on the water taps completely and check for leaks.

NOTE: Replace inlet hoses after 5 years of use to reduce the risk of hose failure. Record hose installation or replacement dates on the hoses for future reference.

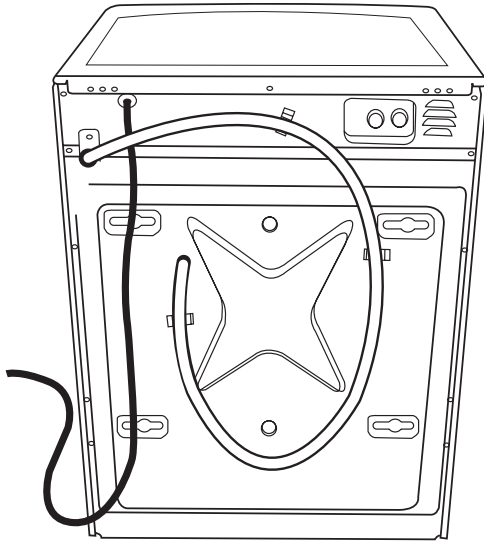
Periodically inspect and replace hoses if bulges, kinks, cuts, wear, or leaks are found.

Route the Drain Hose

Proper routing of the drain hose protects your floor from damage due to water leakage. Read and follow these instructions.

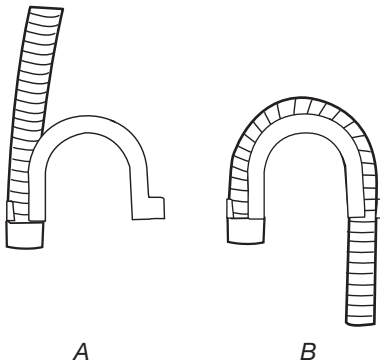
Remove drain hose from the washer

Gently pull the corrugated drain hose from the shipping clips.



Laundry tub drain or standpipe drain

Connect the drain hose form to the corrugated drain hose.



- Snap either end of the drain hose form to the drain hose at the point where the corrugation begins.
- Bend drain hose over drain hose form and snap into place.

To keep drain water from going back into the washer:

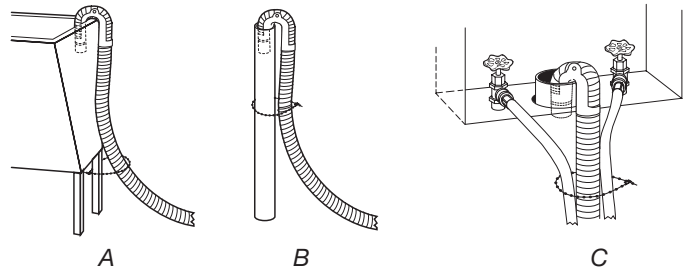
- Do not straighten the drain hose, do not force excess drain hose into standpipe. Hose should be secure, but loose enough to provide a gap for air.
- Do not lay excess hose on the bottom of the laundry tub.

Floor drain

You may need additional parts. See Floor drain under "Tools and Parts."

Secure the Drain Hose

- Drape the power cord over the washer top.
- Move the washer to its final location.
- Place the drain hose in the laundry tub or standpipe as shown. See illustrations A and B.
- Secure the drain hose using the supplied beaded tie strap.



- If the washer taps and the drain standpipe are recessed, put the hooked end of the drain hose in the standpipe as shown. See illustration C.

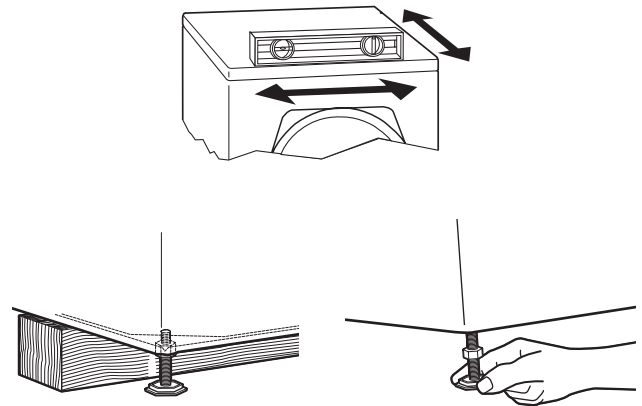
NOTES:

- Do not force excess drain hose back into the rear of the washer.
- To avoid siphoning, do not seal the drain hose into the standpipe.

Level the Washer

Properly leveling your washer avoids excessive noise and vibration.

- Check the levelness of the washer by placing a level on the top edge of the washer, first side to side, then front to back.



If the washer is against a wall, move the washer out slightly before tipping back. If the washer is not level, first prop the front with a wood block and adjust the feet as necessary; then prop the back and adjust feet as necessary. Repeat this step until washer is level.

- Make sure all four feet are stable and resting on the floor. Check that the washer is level (use a level).
 - After the washer is level, use a 9/16" open-end wrench to turn the nuts on the feet tightly against the washer cabinet.
- IMPORTANT:** All four feet must be tightened. If the nuts are not tight against the washer cabinet, the washer may vibrate.
- The washer should not move front to back, side to side, or diagonally when pushed on its top edges.
 - Slide the washer to its final location.
 - Confirm the levelness of the washer.

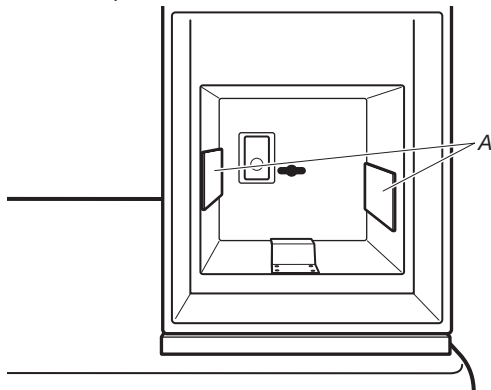
Payment System Set-up

PD Model Washer is coin payment ready and allows the connection of two different sizes of coins. Inside the drum are two coin-sensor harnesses. To set-up the washer for coin payment, acquire a coin drop mechanism. Connect the white and black coin sensors to the coin slot 1 and 2, respectively.

Installing Pad Strips

NOTE: For PD Models only.

1. Take the 2 foam pad strips from bag.
2. Remove the tape from the back of the adhesive pads.
3. Install the pads on the left and right inside walls of the coin vault, leaving about 6 mm (1/4") to 13 mm (1/2") of space near the front edge of the vault to allow room for the coin box to lock into position.



A. Foam pad strips

Complete Installation

1. Check the electrical requirements. Be sure that you have the correct electrical supply and the recommended earthing method. See "Electrical Requirements."
2. Check that all parts are now installed. If there is an extra part, go back through the steps to see which step was skipped.
3. Check that you have all of your tools.
4. Dispose of/recycle all packaging materials.
5. Check that the water taps are on.
6. Check for leaks around taps and inlet hoses.

! WARNING



Electric Shock Hazard

Plug into an earthed socket outlet.

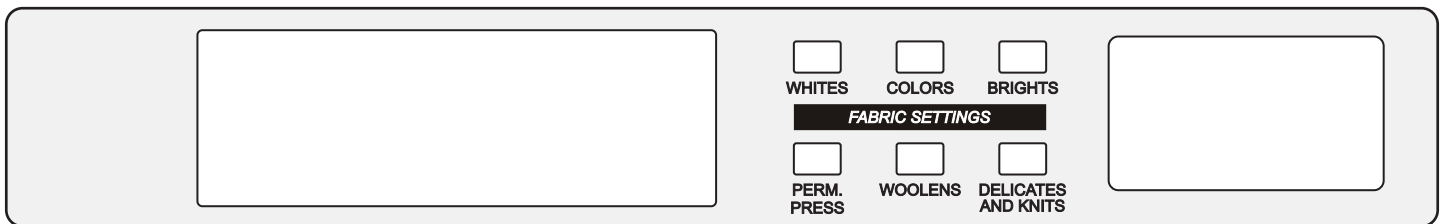
Do not use an adapter.

Do not use an extension cord.

Failure to follow these instructions can result in death, fire, or electric shock.

7. Plug into an earthed socket outlet.
8. To test and to clean your washer, measure 1/2 the detergent manufacturer's recommended amount for a medium-size load. Pour the detergent into the detergent dispenser. Select any cycle and allow the washer to complete one whole cycle.

USER & SET-UP INSTRUCTIONS



1. Door must be closed before cycle selection is made.
2. Press fabric setting key pad for the wash cycle desired. After the cycle is started, the time will display and count down.

General Information

Scrolling 'out of order' showing in display, followed by a failure code

This condition indicates the washer is inoperative.

"0 Minutes" showing in display

This condition indicates the washer cannot be operated. Coins dropped or debit inputs during this condition will be stored in escrow but cannot be used until normal operation is restored by opening and closing the door. If a door switch fails, it must be replaced before normal operation can be restored.

Cold Start (initial first use)

Washer is programmed at the factory as follows:

- 14-minute wash period
- 3 rinses (extra rinse not enabled)
- 7 x coin 1 wash price (PD models)

Warm Start (after power failure)

A few seconds after power is restored, if a cycle was in progress at the time of the power failure, "RESELECT CYCLE" will flash in the display, indicating the need for a key press to restart washer.

Door Lock

The door will be locked when the cycle starts. The door will remain locked until the end of a cycle or approximately 2 minutes after a power interruption.

Pricing

After the door is opened following the completion of a cycle, the display indicates the cycle price (unless set for free operation). As coins are dropped or debit inputs arrive, the display will change to lead the user through the initiation of a cycle.

Free Cycles

This is established by setting the cycle price to zero. When this happens, "SELECT CYCLE" will appear rather than a cycle price.

Display

After the washer has been installed and plugged in, the display will show "0 MINUTES." Once the washer has been plugged in and the washer door opened and closed, the display will show the price. In washers set for free cycles, the display will flash "SELECT CYCLE."



NOTE: Not displayed on washer as shown. Message scrolls followed by the failure code.



Control Set-up Procedures

IMPORTANT: Read all instructions before operating.

- PD Models: Insert access door key, turn, and lift to remove access door.
- PN Models: Remove connector AA1 on the circuit board.

Set-up procedures can be entered by using the Service Access Code for PN washers without a key switch installed.

IMPORTANT: Unplug washer or disconnect power before opening the console. To access connector AA1:

- Unplug washer or disconnect power.
- Open console, disconnect plug on AA1, close console.
- Plug in washer or reconnect power.

The washer is now in the set-up mode. The lower fabric setting key pads and the digital display are used to set up the controls. The display can contain 4 numbers and/or letters and a decimal point. These are used to indicate the set-up codes and related code values available for use in programming the washer.

Once the washer has been programmed with a hand held device using Accu Trac, or a Gen. 2 card reader has been installed, the washer will be put into dAS mode permanently, and dAS will be displayed every time set-up mode is accessed.

How to use the key pads to program controls

1. The PERMANENT PRESS key pad is used to adjust the values associated with set-up codes. Pressing this key pad will change the value by increments. Rapid adjustment is possible by holding the key pad down.
2. The WOOLENS key pad advances you through the set-up codes. Pressing this key pad will advance you to the next available set-up code. Holding the key pad down will automatically advance through the set-up codes at a rate of 1 per second.
3. The DELICATES & KNITS key pad is used to select or deselect options.

Start Operating Set-up

NOTE: Prior operation, a payment system or an OPL kit must be installed.

Before proceeding, it is worth noting that, despite all of the options available, an owner can simply choose to un-crate a new commercial washer, hook it up, plug it in, and have a washer that operates. Washers are preset at the factory for a 14-minute wash period and 3 rinses (no extra rinse).

Set-up Codes

- The WOOLENS key pad will advance you from code to code.
- The PERMANENT PRESS key pad will change the code value.
- The DELICATES & KNITS key pad will select or deselect options.

FOR PN MODELS: The set-up codes are the same as for the "PD" model except where noted.

The set-up code is indicated by the one or two left-hand characters. The set-up code value is indicated by the two or three right-hand characters.

CODE	EXPLANATION
6 07	REGULAR CYCLE PRICE (Factory Default)
6 07	Represents the number of coins (Coin 1) needed to start the washer; may adjust from 0-39. (See VALUE OF COIN 1.) Advance from 0-39 by pressing PERMANENT PRESS key pad. Factory default of 7 x coin 1.
6 00	PN MODELS ONLY: Factory default for 0 coins. With coin slide activation, this represents the number of push-in actuations of a coin slide to start the washer.
	6 01 setting would represent one coin slide actuation.
	NOTE: For coin slide activation, replacement of the meter case is necessary.
	→ Press the WOOLENS key pad once to advance to next code.
7 14	WASH LENGTH
7 14	This is the number of minutes for WASH. Washer comes from the factory preset with 14 minutes. Choose from 9-17 minutes by pressing the PERMANENT PRESS key pad.
	→ Press the WOOLENS key pad once to advance to next code.

CODE	EXPLANATION
8 00	ADDITIONAL RINSE OPTION This option is either SELECTED "ON" or NOT SELECTED "OFF."
8 00	Not Selected "OFF."
8 Ar	Selected "ON." Cannot be combined with the Super Cycle rinse option. Press the DELICATES & KNITS key pad once for this selection. → Press the WOOLENS key pad once to advance to next code.
9 00	CYCLE COUNTER OPTION This option is either SELECTED "ON" or NOT SELECTED "OFF."
9 00	Not Selected "OFF."
9 0C	Selected "ON" and not able to be deselected. Press the DELICATES & KNITS key pad 3 consecutive times to select "ON." Once selected "ON" it cannot be deselected. → Press the WOOLENS key pad once to advance to next code.
1. 00	MONEY COUNTER OPTION This option is either SELECTED "ON" or NOT SELECTED "OFF."
1. 00	Not Selected "OFF."
1. 0C	Selected "ON." Press the DELICATES & KNITS key pad 3 consecutive times to select "ON" and 3 consecutive times to remove (Not Selected "OFF"). Counter resets by going from "OFF" to "ON." → Press the WOOLENS key pad once to advance to next code.
1. C0	Selected "ON" and not able to be deselected. To select "ON" and not able to be deselected, first select "ON," then within 2 seconds, press the DELICATES & KNITS twice, the PERMANENT PRESS once, and exit the set-up mode.
2. 00	SPECIAL PRICING OPTION This option is either SELECTED "ON" or NOT SELECTED "OFF."
2. 00	Not Selected "OFF", and next available code will be A.00.
2. SP	Selected "ON." Press the DELICATES & KNITS key pad once for this selection.

If SPECIAL PRICING OPTION is selected, there is access to codes "3.XX" through "9.XX."

- Press the WOOLENS key pad once to advance to next code.

Options to use if SPECIAL PRICING is selected:

3. 07	SPECIAL CYCLE PRICE
3. 07	Represents the number of coins (coin 1) needed to start the washer; may adjust from 0-39. (See VALUE OF COIN 1.) Advance from 0-39 by pressing the PERMANENT PRESS key pad. Factory default of 7 x coin 1.
3. 00	PN MODELS ONLY: Factory default of 0 coins. → Press the WOOLENS key pad once to advance to next code.

CODE	EXPLANATION
5. 00	TIME-OF-DAY CLOCK, MINUTES
5. 00	This is the TIME-OF-DAY CLOCK, minute setting; select 0-59 minutes by pressing the PERMANENT PRESS key pad. → Press the WOOLENS key pad once to advance to next code.
6. 00	TIME-OF-DAY CLOCK, HOURS NOTE: Uses the 24 hr. clock
6. 00	This is the TIME-OF-DAY CLOCK, hour setting; select 0-23 hours by pressing the PERMANENT PRESS key pad. → Press the WOOLENS key pad once to advance to next code.
7. 00	SPECIAL PRICE START HOUR NOTE: Uses the 24 hr. clock
7. 00	This is the start hour; 0-23 hours. Select START HOUR by pressing the PERMANENT PRESS key pad. → Press the WOOLENS key pad once to advance to next code.
8. 00	SPECIAL PRICE STOP HOUR NOTE: Uses the 24 hr. clock
8. 00	This is the stop hour; 0-23 hours. Select STOP HOUR by pressing the PERMANENT PRESS key pad. → Press the WOOLENS key pad once to advance to next code.
9. 10	SPECIAL PRICE DAY
9. 10	This represents the day of the week and whether special pricing is selected for that day. A number followed by "0" indicates no selection that particular day (9.10). A number followed by an "S" indicates selected for that day (9.1S). To change the value of "0" and "S," use the "DELICATES & KNITS" key pad. Days of the week (1-7) are selected by pressing the PERMANENT PRESS key pad. When exiting set-up code "9", the display must show current day of week:

DISPLAY	DAY OF WEEK	CODE (selected)
10	Day 1= Sunday	1S
20	Day 2= Monday	2S
30	Day 3= Tuesday	3S
40	Day 4= Wednesday	4S
50	Day 5= Thursday	5S
60	Day 6= Friday	6S
70	Day 7= Saturday	7S

- Press the WOOLENS key pad once to advance to next code.

CODE	EXPLANATION
A. 00	VAULT VIEWING OPTION This option is either SELECTED "ON" or NOT SELECTED "OFF."
A. 00	Not Selected "OFF."
A. SC	Selected "ON." Press the DELICATES & KNITS key pad once for this selection. When selected, the money and/or cycle counts will be viewable (if counter option(s) is selected) when the coin box is removed. → Press the WOOLENS key pad once to advance to next code.
b. 05	VALUE OF COIN 1
b. 05	This represents the value of coin 1 in the quantity of 5% increments of the larger coin value. 5 x 5%=25%. By pressing the PERMANENT PRESS key pad, there is the option of 1-199 for the quantity of 5% increments. With coin slide activation, this represents the total vend price. → Press the WOOLENS key pad once to advance to next code.
C. 20	VALUE OF COIN 2
C. 20	This represents the value of coin 2 in the quantity of 5% increments of the larger coin value. 20 x 5%=100%. By pressing the PERMANENT PRESS key pad, there is the option of 1-199 for the quantity of 5% increments.
C. 05	PN MODELS: This represents the value of coin 2 in the quantity of 5% increments of the larger coin value. Factory default = 5 x 5% of the larger coin value. → Press the WOOLENS key pad once to advance to next code.
d. 00	COIN SLIDE OPTION This option is either SELECTED "ON" or NOT SELECTED "OFF."
d. 00	Not Selected "OFF." Used with coin drop or card readers.
d. CS	Selected "ON." Press the DELICATES & KNITS key pad 3 consecutive times for this selection. NOTE: This option needs to be set to "00" unless the meter case has been changed to accept a coin slide device. When coin slide mode is selected "On", set b. equal to value of vend price. Set set-up code 6 (regular cycle price) and set-up code 3 (special cycle price) to number of slide pushes. If washer is set up as "CS" and a coin drop is installed, it will not register coins. → Press the WOOLENS key pad once to advance to next code.

CODE	EXPLANATION
E. 00	ADD COINS OPTION This option is either SELECTED "ON" or NOT SELECTED "OFF." This option causes the customer display to show the number of coins (coin 1) to enter, rather than the amount.
E. 00	Not Selected "OFF."
AC	Selected "ON." Press the DELICATES & KNITS key pad 3 consecutive times for this selection. → Press the WOOLENS key pad once to advance to next code.
F. 00	ENHANCED PRICING OPTION
F. 00	Not Selected "OFF."
F. CP	Cycle-Based pricing enabled. This option allows configuration of different prices for cold, warm, and hot water cycles.
F. Su	Super Cycle pricing enabled. This option allows customers to upgrade cycles by depositing extra money. Set-up codes "H." and "h." will be displayed only when this option is enabled. Press the DELICATES & KNITS key pad once for this selection. → Press the WOOLENS key pad once to advance to next code.
H. 01	SUPER CYCLE UPGRADE PRICE (Skipped unless super cycle pricing is enabled.)
H. 01	This represents the number of coin 1 required to upgrade a base cycle to a super cycle. Advance from 0-39 by pressing the PERMANENT PRESS key pad. → Press the WOOLENS key pad once to advance to next code.
h. 01	SUPER CYCLE TYPE (Skipped unless Super Cycle pricing is enabled.)
h. 01	This represents the super cycle upgrade option. Press the PERMANENT PRESS key pad to step through upgrade options 1-3 as follows: 01 - enhanced wash, extra 3 minutes of wash tumble in addition to the programmed wash time. 02 - extra rinse for all cycles. 03 - both 01 and 02. → Press the WOOLENS key pad once to advance to next code.
J. Cd	COIN/DEBIT OPTION
J. Cd	Both coin & debit selected. Press the DELICATES & KNITS key pad 3 consecutive times to change this section.
J. C_	Coins selected, debit disabled. Press the DELICATES & KNITS key pad 3 consecutive times to change this selection.
J. _d	Debit card selected, coins disabled. This is the factory default for PN models. Press the DELICATES & KNITS key pad 3 consecutive times to change this selection.
J. Ed	Enhanced Debit is self-selected when a Generation 2 card reader is installed in the washer. The Ed option cannot be manually selected or deselected. → Press the WOOLENS key pad once to advance to next code.

CODE	EXPLANATION
L. 00	PRICE SUPPRESSION OPTION This option causes the customer display to show "ADD" or "AVAILABLE" rather than the amount of money to add. (Used mainly in debit installations.)
L. 00	Not Selected "OFF."
PS	Selected "ON." Press the DELICATES & KNITS key pad once for this selection.
→	Press the WOOLENS key pad once to advance to next code.
n. CE	CLEAR ESCROW OPTION When selected, money held in escrow for 30 minutes without further escrow or cycle activity will be cleared.
n. 00	Not Selected "OFF."
n. CE	Selected "ON." Press the DELICATES & KNITS key pad once for this selection.
→	Press the WOOLENS key pad once to advance to next code.
r. 800	TOP SPIN SPEED RPM
r. 800	This can be selected from the following spin speeds: 600 rpm, 750 rpm, 800 rpm, 1000 (displays as 999) rpm. Step between speeds by pressing the PERMANENT PRESS key pad. Factory pre-set for 800 rpm.
→	Press the WOOLENS key pad once to advance to next code.
U. 00	PENNY INCREMENT OFFSET
U. 00	This option is not supported for European Models and the value must be set to 00.
→	Press the WOOLENS key pad once to advance to next code.
A1. 00	PREWASH LENGTH
A1. 00	This is the number of minutes of PREWASH. Choose 0 to disable the prewash or select between 2 and 7 minutes by pressing the PERMANENT PRESS key pad.
→	Press the WOOLENS key pad once to advance to next code.
A2. 03	FINAL SPIN LENGTH
A2. 03	This is the number of minutes of final high speed spin. Choose from 3-8 minutes by pressing the PERMANENT PRESS key pad.
→	Press the WOOLENS key pad once to advance to next code.

If cycle counter (9 0C) is selected, the following is true:

1 00	Represents the number of cycles in HUNDREDS.	1 <u>02</u> = 200
2 00	Represents the number of cycles in ONES.	2 <u>25</u> = 25

TOTAL CYCLES = 225 cycles

This is "VIEW ONLY" and cannot be cleared.

→ Press the WOOLENS key pad once to advance to next code.

If money counter (1.0C or 1.C0) is selected, the following is true:

3 00	Number of coins in HUNDREDS	3 <u>01</u> = 400 x coin 1
4 00	Number of coins in ONES	4 <u>68</u> = 272 x coin 1
5 00	Number of COINS.	5 <u>75</u> = 3 x coin 1
		Total = 675 x coin 1

END OF SET-UP PROCEDURES

EXIT FROM SET-UP MODE

- PD Models: Reinstall access door.
- PN Models:
 - Unplug washer or disconnect power.
 - Open console, reinsert plug into AA1, close console.
 - Plug in washer or reconnect power.
- PN MODELS WITH PROGRAMMING SWITCH: Turn key clockwise and remove.
- PN MODELS WITHOUT PROGRAMMING SWITCH: Set-up mode can be exited by using procedures from.

Washer Diagnostic Mode

To enter the "Washer Diagnostic Mode," first enter "Start Operating Set-up." Then press and hold the DELICATES AND KNITS key pad for 1 second while in any of the set-up codes one through six, anytime a diagnostic code is present, or while dAS displays if operating with Maytag Data Acquisition set-up.

On entry to diagnostic mode the entire display will flash, a cycle in process is canceled, money in escrow is cleared, and diagnostic codes are cleared. If a diagnostic code persists, it must be corrected before the following cycle options are permitted.

There are five possible ways to initiate cycle activity from diagnostic mode as follows:

1. Washer Cleanout cycle - With the entire display flashing, this cycle is started by pressing the BRIGHT key pad.
Use the Washer Cleanout cycle once a month to keep the inside of your washer fresh and clean. This cycle uses a higher water level. Use with liquid chlorine bleach to thoroughly clean the inside of the washer. This cycle should not be interrupted.
IMPORTANT: Do not place garments or other items in the washer during the Washer Cleanout cycle. Use this cycle with an empty wash drum.
2. Cycle Credit - With the entire display flashing, a cycle may be credited by pressing the PERMANENT PRESS key pad (CC will display). When the service mode is exited, "SELECT CYCLE" will be displayed unless the end-of-cycle door opening is required.
3. Manual Overview Test - With the entire display flashing, this cycle is started by pressing the WHITES key pad. This cycle provides more typical full length fills, tumbles, drains, and actuator dispenser movement, allowing for a more thorough analysis of the washer operation, including pressure switch behavior.
4. Quick Spin Cycle - With the entire display flashing, this cycle is started by pressing the COLORS key pad. This cycle provides a method to quickly drain and spin (remove water from the washer) if desired.

5. Quick Overview Test - With the entire display flashing, this cycle is started by pressing the WOOLENS key pad. This cycle provides a quick verification that the cold and hot water valves, dispensers, and pump motor are working, as well as actuator dispenser movement. It also includes door lock, drain, and spin operations.

Pressing the DELICATES AND KNITS key pad will exit diagnostic mode and cancel a diagnostic cycle in process.

DIAGNOSTIC CODES

If the set-up mode is entered and one of the following has occurred, the appropriate diagnostic code will be in the display.

d5	Blocked coin 1 or coin drop control circuit failure (coin recognition and price display disabled while blockage persists). PN Models Only: Set-up mode J. should be set to _d (or Ed if in free operation mode) to eliminate coin related diagnostic codes.
d9	Low voltage detected for 8 seconds.
d13	Blocked coin 2 or coin drop control circuit failure (coin recognition and price display disabled while blockage persists).
F20	Slow Fill. The washer will not detect water input for 4 min. Pressure switch failure or no water inlet. This code is reported as d8 on d7.
F22	The door is not able to lock. Door lock error or someone trying to start the washer, by pressing the door switch with the finger. This code is reported as d17 on Accu Trac.

(For different code consult service personnel)

WASHER HELP MODE

This mode is entered by pressing the PERMANENT PRESS key pad while in special pricing option mode 2.XX (or while dAS displays if operating with Maytag Data Acquisition set-up).

In help mode, other display symbols and elements are mapped to reflect the state of various inputs and outputs as follows:

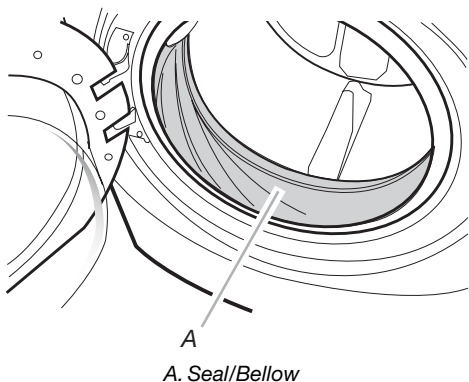
Display Symbol	Description
Wash	Water sensed at wash level.
*	Low voltage present (below about 90 VAC).
° (Circle above digit)	Door closed.
DOOR LOCKED	Door sensed locked.
COLD	Cold water relay on.
HOT	Hot water relay on.
OR	Door unlock.
AVAILABLE	Drain pump ON.

WASHER CARE

Cleaning Your Washer

Cleaning the Door Seal/Bellow

1. Open the washer door and remove any clothing or items from the washer.
2. Inspect the colored seal/bellow between the door opening and the drum for stained areas. Pull back the seal/bellow to inspect all areas under the seal/bellow and to check for foreign objects.



3. If stained areas are found, wipe down these areas of the seal/bellow, using the procedure that follows.
 - a) Mix a dilute solution, using 177 mL (3/4 cup) of liquid chlorine bleach, and 3.8 L (1 gal.) of warm tap water.
 - b) Wipe the seal/bellow area with the dilute solution, using a damp cloth.
 - c) Let stand 5 minutes.
 - d) Wipe down area thoroughly with a dry cloth and let the washer interior air dry with door open.

IMPORTANT:

- Wear rubber gloves when cleaning for prolonged periods.
- Refer to the bleach manufacturer's instructions for proper use.

Washer Maintenance Procedure

This washer has a special cycle that uses higher water volumes in combination with liquid chlorine bleach to thoroughly clean the inside of the washer.

NOTES:

- Read these instructions completely before beginning the cleaning process.
- If necessary, the cleaning cycle may be interrupted by pressing the DELICATES AND KNITS button twice. However, this will not immediately stop the cycle. The machine will continue with several rinse and drain steps to ensure that all remaining bleach is rinsed from the washer.

Begin procedure

1. Open the washer door and remove any clothing or items from the washer.
2. **Use liquid chlorine bleach:**
Open the dispenser drawer and immediately add 160 mL (2/3 cup) of liquid chlorine bleach to the bleach compartment.
NOTE: Do not add any detergent to this cycle. Use of more than 160 mL (2/3 cup) of bleach will cause product damage over time.
3. Close the washer door and the dispenser drawer.
4. To start the Clean Washer cycle, first enter "Start Operating Set-up." Then press and hold DELICATES AND KNITS for 1 second. With the entire display flashing, press BRIGHTS.
NOTE: The drum will rotate, then the door will unlock, lock again, and then the cycle will continue.
 - The machine will not fill, but the drum will rotate while the washer runs a short sensing cycle. This will take approximately 3 minutes.
5. The cycle will determine whether clothing or other items are in the washer.
 - a) If no items are detected in the washer, it will proceed to Step 7.
 - b) If any items are detected in the washer, "rL" or "F-34" will be displayed. Then the door will unlock.
 - Press DELICATES AND KNITS to cancel the failure code. Then repeat steps 1, 3, and 4 to start the cycle again.
6. Once the cycle has begun, allow the cycle to complete.
7. After the cycle is complete, leave the door open slightly, to allow for better ventilation and drying of washer interior.

Always do the following to maintain washer freshness

- Use only detergent for automatic washer.
- Leave the door slightly open after each cycle to allow for better ventilation and drying of washer interior.
- Clean the washer monthly using the Washer Maintenance Procedure, 160 mL ($\frac{2}{3}$ cup) of liquid chlorine bleach.
- If the procedure does not sufficiently improve the machine freshness, please evaluate your installation and usage conditions for other causes.

Cleaning the exterior

Use a soft damp cloth or sponge to wipe up any spills. Occasionally wipe the outside of your washer to keep it looking new. Use mild soap and water. Do not use abrasive products.

Cleaning the dispenser drawer

The dispenser drawer is removable for easy cleaning.

1. Unlock the dispenser drawer by pressing the Release Lever. Remove the drawer.
2. Remove the inserts (the siphon from the softener and bleach compartments).
3. Wash the parts under running water.
NOTE: Do not wash components in the dishwasher.
4. Replace the inserts and return the dispenser to the drawer.

Water Inlet Hoses

Replace inlet hoses after 5 years of use to reduce the risk of hose failure. Periodically inspect and replace inlet hoses if bulges, kinks, cuts, wear, or leaks are found.

When replacing your inlet hoses, record the date of replacement.

ASSISTANCE OR SERVICE

Before calling for assistance or service, please check "Troubleshooting." It may save you the cost of a service call. If you still need help, contact the dealer from whom you purchased the appliance, or a Maytag designated service company.

When calling, please know the purchase date and the complete model and serial number of your appliance. This information will help us to better respond to your request.

Accessories

Enhance your washer with these premium accessories.

For more high-quality items or to order, contact your authorized Maytag distributor.

Part Number	Accessory
8212638RP	1.8 m (6 ft) Nylon braided space-saving inlet hose, 90° elbow, hypro-blue steel couplings. (2-pack)
8212487RP	1.5 m (5 ft) Nylon braided inlet hose. (2-pack)
8212526	Washer drip tray, fits under all
31682	All purpose appliance cleaner
1903WH	Laundry supply storage cart

MAYTAG COMMERCIAL WASHER, DRYER, STACKED DRYER/DRYER, COMMERCIAL STACK LAUNDRY, AND MULTI-LOAD COIN OPERATED COMMERCIAL WASHERS AND DRYERS WARRANTY

LIMITED WARRANTY ON PARTS

For the first five years from the date of purchase, when this commercial appliance is installed, maintained and operated according to the instructions attached to or furnished with the product, Maytag brand of Whirlpool Corporation (hereafter "Maytag") will pay for factory specified parts or original equipment manufacturer parts to correct defects in materials or workmanship. Proof of original purchase date is required to obtain service under this warranty.

ITEMS MAYTAG WILL NOT PAY FOR

1. All other costs including labor, transportation, or custom duties.
 2. Service calls to correct the installation of your commercial appliance, to instruct you how to use your commercial appliance, to replace or repair fuses, or to correct external wiring or plumbing.
 3. Repairs when your commercial appliance is used for other than normal, commercial use.
 4. Damage resulting from improper handling of product during delivery, theft, accident, alteration, misuse, abuse, fire, flood, acts of God, improper installation, installation not in accordance with local electrical or plumbing codes, or use of products not approved by Maytag.
 5. Pickup and Delivery. This commercial appliance is designed to be repaired on location.
 6. Repairs to parts or systems resulting from unauthorized modifications made to the commercial appliance.
 7. The removal and reinstallation of your commercial appliance if it is installed in an inaccessible location or is not installed in accordance with published installation instructions.
 8. Chemical damage is excluded from all warranty coverage.
 9. Changes to the building, room, or location needed in order to make the commercial appliance operate correctly.
-

DISCLAIMER OF IMPLIED WARRANTIES; LIMITATIONS OF REMEDIES

CUSTOMER'S SOLE AND EXCLUSIVE REMEDY UNDER THIS LIMITED WARRANTY SHALL BE PRODUCT REPAIR AS PROVIDED HEREIN. IMPLIED WARRANTIES, INCLUDING WARRANTIES OF MERCHANTABILITY OR FITNESS FOR A PARTICULAR PURPOSE, ARE LIMITED TO ONE YEAR OR THE SHORTEST PERIOD ALLOWED BY LAW. WHIRLPOOL SHALL NOT BE LIABLE FOR INCIDENTAL OR CONSEQUENTIAL DAMAGES. SOME STATES AND PROVINCES DO NOT ALLOW THE EXCLUSION OR LIMITATION OF INCIDENTAL OR CONSEQUENTIAL DAMAGES, OR LIMITATIONS ON THE DURATION OF IMPLIED WARRANTIES OF MERCHANTABILITY OR FITNESS, SO THESE EXCLUSIONS OR LIMITATIONS MAY NOT APPLY TO YOU. THIS WARRANTY GIVES YOU SPECIFIC LEGAL RIGHTS AND YOU MAY ALSO HAVE OTHER RIGHTS, WHICH VARY FROM STATE TO STATE OR PROVINCE TO PROVINCE.

If you need service, please contact your authorized Maytag Commercial Laundry distributor. To locate your authorized Maytag Commercial Laundry distributor, or for web inquiries, visit www.MaytagCommercialLaundry.com.

9/07

Keep this book and your sales slip together for future reference. You must provide proof of purchase or installation date for in-warranty service.

Write down the following information about your major appliance to better help you obtain assistance or service if you ever need it. You will need to know your complete model number and serial number. You can find this information on the model and serial number label located on the product.

Dealer name _____
Address _____
Phone number _____
Model number _____
Serial number _____
Purchase date _____

SECURITE DU LAVE-LINGE

Votre sécurité et celle des autres est très importante.

Nous donnons de nombreux messages de sécurité importants dans ce manuel et sur votre appareil ménager. Assurez-vous de toujours lire tous les messages de sécurité et de vous y conformer.



Voici le symbole d'alerte de sécurité.

Ce symbole d'alerte de sécurité vous signale les dangers potentiels de décès et de blessures graves à vous et à d'autres.

Tous les messages de sécurité suivront le symbole d'alerte de sécurité et le mot "DANGER" ou "AVERTISSEMENT". Ces mots signifient :

 **DANGER**

Risque possible de décès ou de blessure grave si vous ne suivez pas immédiatement les instructions.

 **AVERTISSEMENT**

Risque possible de décès ou de blessure grave si vous ne suivez pas les instructions.

Tous les messages de sécurité vous diront quel est le danger potentiel et vous disent comment réduire le risque de blessure et ce qui peut se produire en cas de non-respect des instructions.

IMPORTANTES INSTRUCTIONS DE SECURITE

AVERTISSEMENT : Afin de réduire le risque d'incendie, de choc électrique ou de blessures lors de l'utilisation de ce lave-linge, il convient d'observer certaines précautions fondamentales, notamment :

- Lire toutes les instructions avant d'utiliser le lave-linge.
- Ne pas laver des articles qui ont été précédemment nettoyés, lavés, trempés ou tachés avec de l'essence, un solvant pour nettoyage à sec ou d'autres substances inflammables ou explosives; ces substances dégagent des vapeurs qui pourraient s'enflammer ou provoquer une explosion.
- Ne pas ajouter d'essence, de solvant pour nettoyage à sec ou d'autre substance inflammable ou explosive à l'eau de lavage; ces substances dégagent des vapeurs qui pourraient s'enflammer ou provoquer une explosion.
- Dans certaines conditions, un circuit d'eau chaude qui n'a pas été utilisé depuis 2 semaines ou plus peut contenir de l'hydrogène. L'HYDROGENE EST UN GAZ EXPLOSIF. Si le circuit d'eau chaude est resté inutilisé pendant une telle période, ouvrir tous les robinets d'eau chaude et laisser l'eau s'écouler pendant plusieurs minutes avant d'utiliser le lave-linge. Ceci permettra l'évacuation de toute accumulation d'hydrogène. Le gaz est inflammable : ne pas fumer ou utiliser une flamme nue durant cette période.
- Ne pas laisser des enfants jouer sur le lave-linge ou à l'intérieur de celui-ci. Une surveillance attentive des enfants est nécessaire lorsque le lave-linge est utilisé à proximité d'enfants.
- L'appareil ménager n'est pas conçu pour une utilisation sans surveillance par de jeunes enfants ou des personnes handicapées.
- Retirer la porte ou le couvercle du lave-linge avant de le retirer du service ou de le mettre au rebut.
- Ne pas accéder à l'intérieur du lave-linge si le tambour, la cuve ou l'agitateur est en mouvement.
- Ne pas installer ou conserver le lave-linge en un endroit où il sera exposé aux intempéries.
- Ne pas effectuer d'intervention non autorisée sur les commandes.
- Ne pas réparer ou remplacer une quelconque pièce du lave-linge ou effectuer une quelconque intervention d'entretien qui ne serait pas expressément recommandée dans le Guide d'utilisation et d'entretien ou dans des instructions de réparation par l'utilisateur que vous comprenez et que vous êtes capables d'exécuter.
- Voir les instructions d'installation au sujet de la mise à la terre de l'appareil.
- Si le cordon d'alimentation est endommagé, il doit être remplacé par le fabricant ou par son agent de service agréé, ou par une autre personne qualifiée, afin d'éviter tout danger.

CONSERVER CES INSTRUCTIONS

MISE AU REBUT DU LAVE-LINGE



Le marquage de l'appareil est conforme à la directive européenne 2002/ 96/ EC sur les équipements électroniques et électriques, pour gestion des déchets.

En veillant à l'élimination correcte de ce produit, vous éviterez d'éventuelles conséquences néfastes pour l'environnement et la santé humaine qui peuvent être associées au traitement inapproprié de ce produit lorsqu'il a été mis au rebut.

Le symbole figurant sur le produit ou dans les documents qui accompagnent le produit indique que cet appareil ne doit pas être traité comme déchet ménager; on doit plutôt le remettre à un centre de collecte spécialisé pour le recyclage des équipements électriques et électroniques.

L'élimination de ce produit après mise au rebut doit être effectuée conformément aux prescriptions de la réglementation locale de protection de l'environnement.

Pour l'information détaillée concernant le traitement, le recyclage et la récupération de ce produit, contacter la municipalité locale, le service d'élimination des déchets ménagers, ou le commerçant qui a vendu le produit.

EXIGENCES D'INSTALLATION

Outillage et pièces

Rassembler les outils et pièces nécessaires avant de commencer l'installation. Les pièces fournies se trouvent dans le tambour du lave-linge.

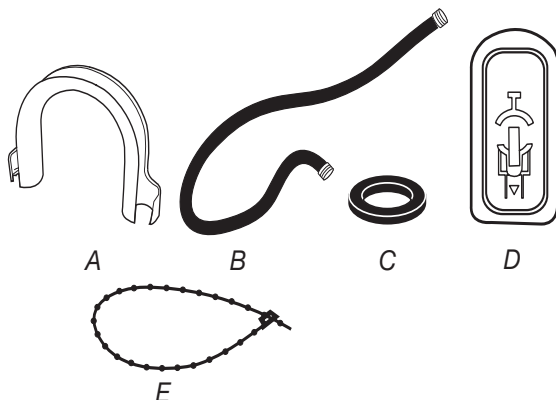
Outils nécessaires au raccordement des tuyaux d'arrivée d'eau

- Pince (ouverture jusqu'à 39,5 mm [1 9/16"])
- Lampe de poche (facultative)

Outils nécessaires à l'installation

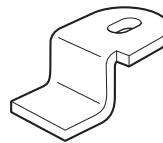
- Clés plates de 1/2" et 9/16"
- Niveau
- Tournevis de sécurité Torx ®† T-20
- Cale en bois
- Tourne-écrou de 1/4"
- Règle ou mètre ruban

Pièces fournies

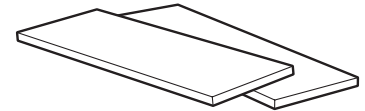


- A. Bride de retenue pour tuyau de vidange (en forme de U)
 B. Tuyaux d'arrivée d'eau (2)
 C. Rondelles pour tuyau d'arrivée d'eau (4)
 D. Bouchons d'obturation des boulons de transport (4)
 E. Courroie perlée

Pièces fournies pour les modèles PD :



Camé de verrouillage de la porte de service



Bandes de protection

Pièces fournies pour les modèles PD :

- Détecteur de pièces blanc
- Détecteur de pièces noir

Autres pièces

Il se peut que l'installation nécessite des pièces supplémentaires. Pour acheter l'un des articles indiqués ici, contacter votre concessionnaire Maytag agréé.

Si vous avez	Vous devrez acheter
Évier de buanderie ou tuyau rigide de rejet à l'égout plus haut que 2,4 m (96")	Système de pompe de puisard (si non déjà disponible)
Égout surélevé	Évier de vidange standard de 76 L (20 gal.) de 762 mm (30") de hauteur ou évier utilitaire et pompe de puisard (disponibles chez votre fournisseur local d'articles de plomberie)
Égout au plancher	Brise-siphon, pièce n° 285834; tuyau de vidange additionnel, pièce n° 8318155; et ensemble de connexion, pièce n° 285835

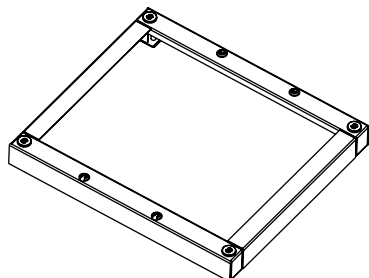
†® TORX est une marque déposée de Acument Intellectual Properties, LLC.

Si vous avez	Vous devrez acheter
Tuyau de vidange trop court	Trousse de rallonge du tuyau de vidange de 1,2 m (4 pi), pièce n° 285863
Robinets d'eau hors d'atteinte des tuyaux d'admission	2 tuyaux d'admission d'eau plus longs : 1,8 m (6 pi), pièce n° 76314 3 m (10 pi), pièce n° 350008

Options

Piédestal

Vous avez la possibilité d'acheter des piédestaux séparément pour ce lave-linge. Le piédestal augmentera la taille totale du lave-linge.



Piédestal facultatif

Hauteur du piédestal	Hauteur approximative avec lave-linge	Couleur	Numéro de modèle
73 mm (2 7/8")	1207 mm (47,5")	Blanc	WHP0400VW

Exigences d'emplacement

Le choix d'un emplacement approprié pour le lave-linge en améliore le rendement et réduit au minimum le bruit et le "déplacement" possible du lave-linge.

Le lave-linge peut être installé sous un comptoir personnalisé, dans un sous-sol, une salle de buanderie, un encastrement. Voir "Système de vidange".

Il faut aussi prendre en compte les exigences d'emplacement des appareils voisins. C'est à l'utilisateur qu'incombe la responsabilité de réaliser une installation correcte.

Il vous faudra

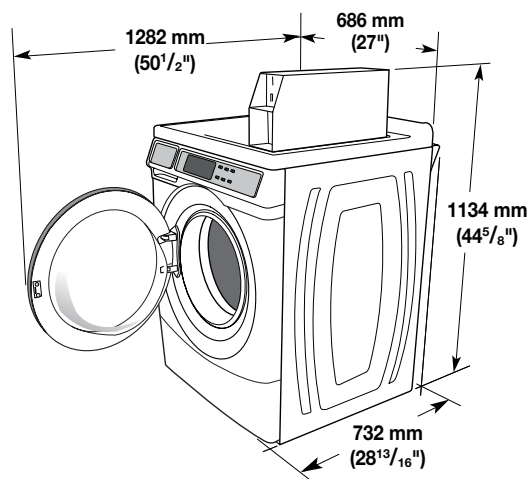
- Un chauffe-eau configuré pour fournir de l'eau à 60°C (140°F) au lave-linge.
- Une prise électrique reliée à la terre située à 1,8 m (6 pi) maximum du cordon d'alimentation électrique fixé à l'arrière du lave-linge. Voir "Spécifications électriques".
- Des robinets d'eau chaude et d'eau froide situés à 1,2 m (4 pi) maximum des robinets d'admission d'eau chaude et d'eau froide et une pression d'eau de 137,9-689,6 kPa (20-100 lb/po²).
- Un plancher de niveau ayant une pente maximale de 25 mm (1") sous l'ensemble du lave-linge. L'installation du lave-linge sur des surfaces de sol souples, telles que tapis ou surfaces avec sous-couche en mousse n'est pas recommandée.
- Un plancher robuste et solide capable de soutenir le poids total du lave-linge (eau et charge) de 180 kg (400 lb).

Ne pas faire fonctionner le lave-linge à des températures inférieures à 0°C (32°F). Une certaine quantité d'eau peut demeurer dans le lave-linge et causer des dommages à des températures basses.

Dégagements de séparation à respecter

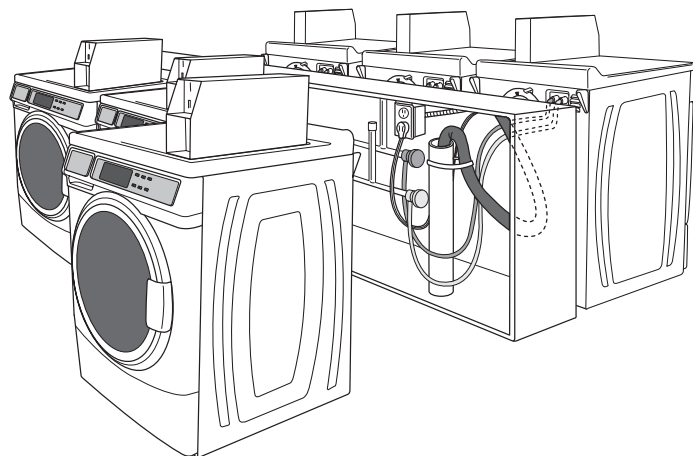
- L'emplacement doit être assez grand pour permettre d'ouvrir complètement la porte du lave-linge.
- Prévoir davantage d'espace pour faciliter l'installation et l'entretien. La porte s'ouvre à plus de 90° et n'est pas réversible.
- Un espace supplémentaire peut être requis pour les moulures de porte et de plancher et pour les plinthes.
- Un espace supplémentaire de 25 mm (1") de tous les côtés du lave-linge est recommandé pour réduire le transfert du bruit.
- Il faut aussi prendre en compte l'espace requis entre les appareils voisins.
- Une fois installées, les prises principales doivent être accessibles pour permettre de débrancher le lave-linge du câblage principal.

Dimensions du lave-linge



La porte n'est pas réversible.

Un système de vidange au plancher doit être installé sous la cloison. Des cloisons pré-fabriquées avec prises de courant, canalisations d'arrivée d'eau et aménagements pour installation de vidangeage ne doivent être installées que là où les codes locaux l'autorisent.



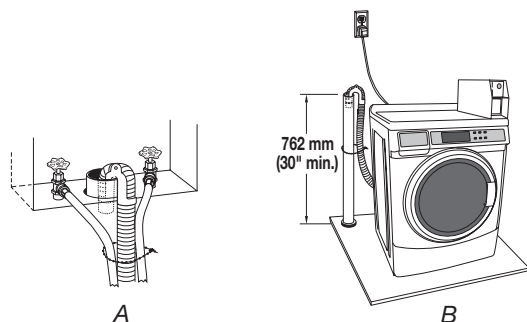
Système de vidange

Le lave-linge peut être installé en utilisant le système de rejet à l'égout (au plancher ou mural), le système de vidange de l'évier de buanderie ou le système de vidange au plancher. Sélectionner la méthode d'installation du tuyau de vidange selon les besoins. Voir "Outillage et pièces".

Système de rejet à l'égout - mural ou au plancher (vues A et B)

Le système de rejet à l'égout nécessite un tuyau rigide d'un diamètre minimum de 50 mm (2"). La capacité minimale d'acheminement ne doit pas être inférieure à 64 L (17 gal.) par minute.

Le sommet du tuyau rigide de rejet à l'égout doit être au moins à 762 mm (30") de hauteur et au maximum à 2,4 m (96") de la base du lave-linge.



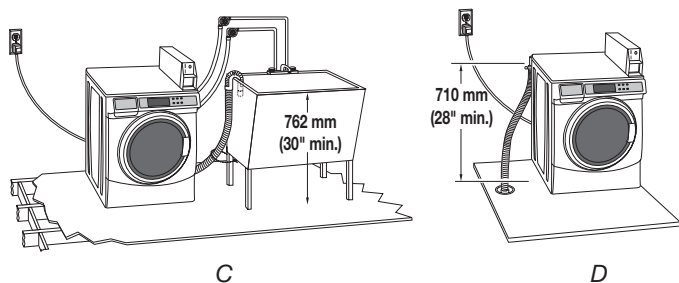
Système de vidange avec évier de buanderie (vue C)

L'évier de buanderie doit avoir une capacité minimale de 76 L (20 gal.). La partie supérieure de l'évier de buanderie doit être à au moins 762 mm (30") au-dessus du plancher.

Système de vidange au plancher (vue D)

Le système de vidange au plancher nécessite un brise-siphon qui peut être acheté séparément. Voir "Outillage et pièces".

Le brise-siphon doit être au moins à 710 mm (28") de la base du lave-linge. Des tuyaux supplémentaires peuvent être requis.



Spécifications électriques

⚠ AVERTISSEMENT



Risque de choc électrique

Brancher sur une prise reliée à la terre.

Ne pas utiliser un adaptateur.

Ne pas utiliser un câble de rallonge.

Le non-respect de ces instructions peut causer un décès, un incendie ou un choc électrique.

- Une alimentation électrique de 220-240V, 50 Hz, protégée par un fusible est requise. On recommande d'utiliser un fusible temporisé de 10 à 16 A ou un disjoncteur temporisé.
- Ce lave-linge comporte un cordon d'alimentation électrique pour liaison à la terre.
- Pour minimiser les risques de choc électrique, on doit brancher le cordon sur une prise de courant de configuration correspondante reliée à la terre et installée conformément aux codes et règlements locaux. Si une prise de courant de configuration correspondante n'est pas disponible, le client a la responsabilité et l'obligation de faire installer par un électricien qualifié une prise de courant correctement reliée à la terre.
- Si les codes le permettent et si on utilise un conducteur distinct de liaison à la terre, il est recommandé qu'un électricien qualifié vérifie la qualité de la liaison à la terre.
- Si le cordon d'alimentation est endommagé, il doit être remplacé par le fabricant, son agent de service ou toute autre personne qualifiée afin d'éviter tout danger.
- Ne pas utiliser une tuyauterie de gaz pour le raccordement à la terre.
- En cas de doute quant à la qualité de la liaison à la terre du lave-linge, consulter un électricien qualifié.

- Ne pas installer un fusible dans le conducteur neutre ou le conducteur de liaison à la terre.

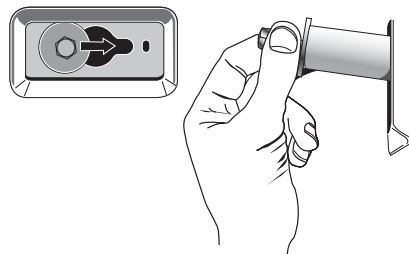
INSTRUCTIONS DE LIAISON A LA TERRE

Ce lave-linge doit être relié à la terre. En cas d'anomalie de fonctionnement ou de panne, la liaison à la terre réduira le risque de choc électrique en offrant au courant électrique un itinéraire d'évacuation de moindre résistance. Ce lave-linge est alimenté par un cordon électrique comportant un conducteur relié à la terre et une fiche de branchement munie d'une broche de liaison à la terre. La fiche doit être branchée sur une prise de courant appropriée qui est bien installée et reliée à la terre conformément à tous les codes et règlements locaux.

AVERTISSEMENT : Le raccordement incorrect de cet appareil au conducteur de liaison à la terre peut susciter un risque de choc électrique. En cas de doute quant à la qualité de la liaison à la terre de l'appareil, consulter un électricien ou technicien d'entretien qualifié.

Ne pas modifier la fiche de branchement fournie avec l'appareil – si la fiche ne correspond pas à la configuration de la prise de courant, demander à un électricien qualifié d'installer une prise de courant convenable.

3. Une fois le boulon desserré, le déplacer au centre du trou et retirer complètement le boulon, y compris la cale d'espacement en plastique couvrant le boulon.



4. Une fois que les 4 boulons ont été retirés, jeter les boulons et les cales d'espacement. Enfoncer ensuite la prise du cordon d'alimentation dans l'ouverture située du côté droit du panneau arrière et tirer le cordon d'alimentation à travers l'ouverture située du côté gauche du panneau arrière, puis boucher les trous à l'aide du capuchon fourni. Ne pas tirer l'extrémité du côté prise du cordon d'alimentation par le trou de droite.
5. Obturer les trous des boulons avec les 4 bouchons d'obturation des boulons de transport.

REMARQUE : Si le lave-linge doit être transporté à une date ultérieure, appeler le distributeur ou l'installateur du produit. Pour éviter des dommages concernant la suspension et la structure, votre lave-linge doit être correctement monté pour réinstallation ultérieure par un technicien certifié.

INSTRUCTIONS D'INSTALLATION

Dépose du système de transport

AVERTISSEMENT

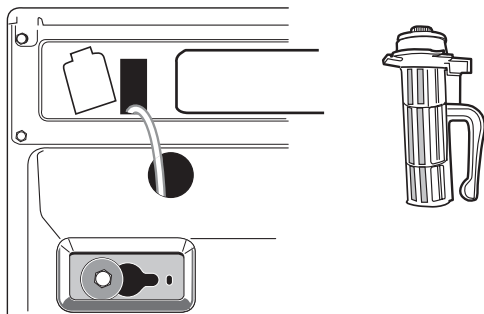
Risque du poids excessif

Utiliser deux ou plus de personnes pour déplacer et installer le lave-linge.

Le non-respect de cette instruction peut causer une blessure au dos ou d'autre blessure.

IMPORTANT : Positionner le lave-linge de sorte que l'arrière du lave-linge soit à environ 900 mm (3 pi) de son emplacement final.

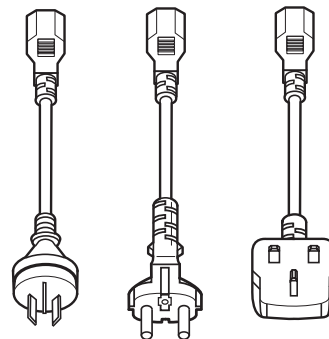
On trouve sur le panneau arrière du lave-linge 4 boulons d'expédition qui soutiennent le système de suspension durant le transport. Ces boulons retiennent aussi le cordon d'alimentation électrique à l'intérieur du lave-linge jusqu'à ce que les boulons soient retirés.



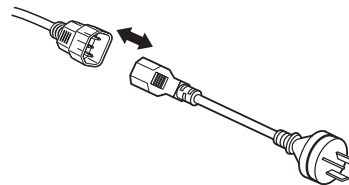
1. Laisser le lave-linge en position verticale pendant que l'on ôte les boulons d'expédition.
2. Au moyen d'une clé de 1/2", desserrer chacun des boulons.

Installation du cordon d'alimentation

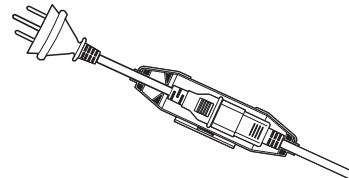
1. Sélectionner la prise qui correspond à la prise électrique murale.



2. Fixer la prise à l'extrémité du cordon d'alimentation.



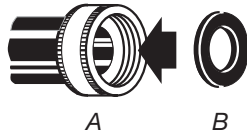
3. Fixer le cordon d'alimentation en immobilisant le raccord sur le dispositif de blocage du cordon.



4. Installer le couvercle du dispositif de blocage du cordon et appuyer jusqu'à ce qu'il s'emboîte.
5. S'assurer que le raccord du cordon d'alimentation est immobilisé sur le dispositif de blocage du cordon et que le serrage du dispositif de blocage est correct.

Raccordement des tuyaux d'arrivée d'eau

Insérer les rondelles plates neuves (fournies) dans chaque extrémité des tuyaux d'arrivée d'eau. Insérer fermement les rondelles dans les raccords.



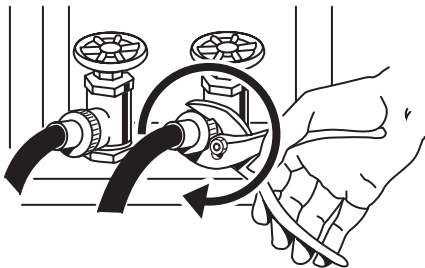
A. Raccord
B. Rondelle

- Utiliser les nouveaux tuyaux d'arrivée d'eau fournis avec le lave-linge. Ne pas réutiliser de tuyaux d'arrivée d'eau usagés.

Connecter les tuyaux d'arrivée d'eau aux robinets d'eau

S'assurer que le tambour du lave-linge est vide.

1. Fixer un tuyau au robinet d'eau chaude. Visser complètement le raccord à la main pour qu'il comprime le joint.
2. Fixer un tuyau au robinet d'eau froide. Visser complètement le raccord à la main pour qu'il comprime le joint.
3. A l'aide d'une pince, serrer les raccords en effectuant deux tiers de tour supplémentaires.

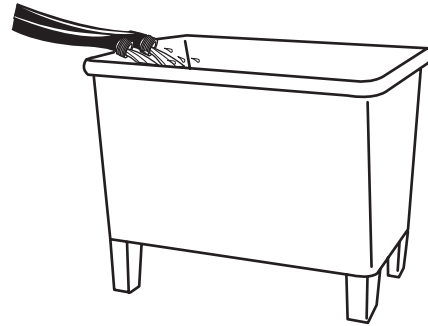


REMARQUE : Ne pas serrer excessivement ou utiliser du ruban adhésif ou un calfeutrant sur le robinet. Les tuyaux d'arrivée d'eau risquent d'être endommagés.

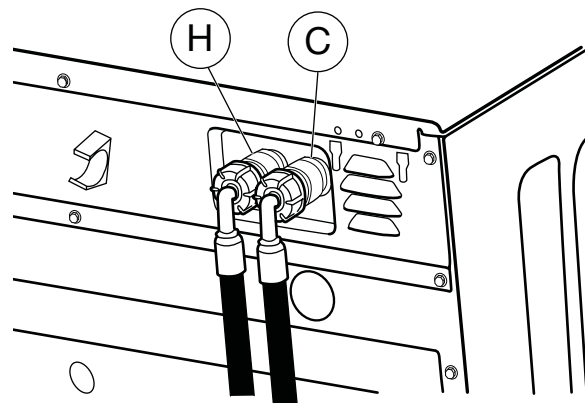
Purger les canalisations d'eau

- Laisser s'écouler l'eau des deux robinets et des tuyaux d'arrivée d'eau dans un évier de buanderie, un tuyau rigide de rejet à l'égout ou un seau, pour éliminer les particules se trouvant dans les canalisations d'eau qui pourraient obstruer les tamis de la valve d'arrivée d'eau.

- Vérifier la température de l'eau pour s'assurer que le tuyau d'eau chaude est connecté au robinet d'eau chaude et que le tuyau d'eau froide est connecté au robinet d'eau froide.



Raccordement des tuyaux d'arrivée d'eau aux clapets anti-retour sur le lave-linge



H. Tuyau d'arrivée d'eau chaude
C. Tuyau d'arrivée d'eau froide

1. Fixer le tuyau d'eau chaude au clapet anti-retour du tuyau d'arrivée d'eau chaude (H) du lave-linge. Visser complètement le raccord à la main pour qu'il comprime le clapet anti-retour.
2. Fixer le tuyau d'eau froide au clapet anti-retour du tuyau d'arrivée d'eau froide (C) du lave-linge. Visser complètement le raccord à la main pour qu'il comprime le clapet anti-retour.
3. A l'aide d'une pince, serrer les raccords en effectuant deux tiers de tour supplémentaires.

REMARQUE : Ne pas serrer excessivement. Le raccord risque d'être endommagé.

4. Ouvrir les robinets d'eau complètement et vérifier s'il y a des fuites.

REMARQUE : Remplacer les tuyaux d'arrivée d'eau après 5 ans d'utilisation pour réduire le risque de défaillance. Prendre note de la date d'installation ou de remplacement des tuyaux, pour référence ultérieure.

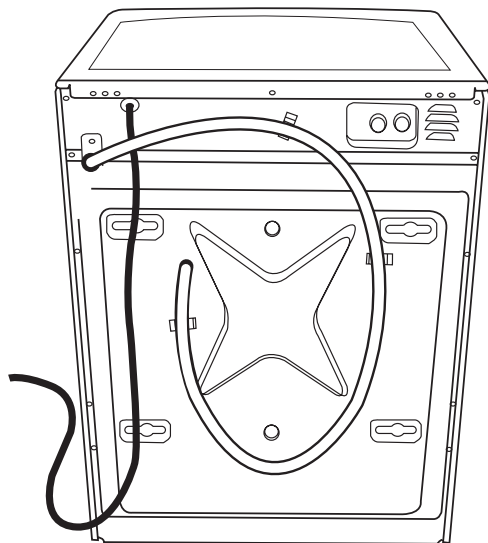
Inspecter périodiquement les tuyaux; les remplacer en cas de renflement, de déformation, de coupure, d'usure ou si une fuite se manifeste.

Acheminement du tuyau de vidange

Le bon acheminement du tuyau de vidange protège vos planchers contre les dommages imputables à une fuite d'eau. Lire et suivre ces instructions.

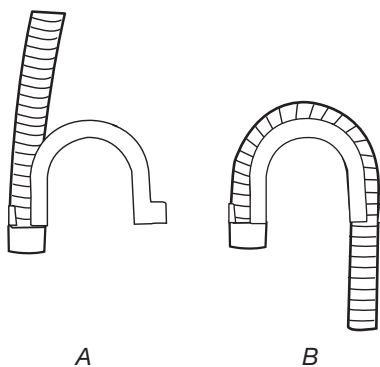
Retirer le tuyau de vidange du lave-linge

Tirer doucement pour dégager le tuyau d'évacuation (matériau ondulé) des agrafes d'arrimage.



Décharge de l'eau de lavage dans un évier de buanderie ou tuyau de rejet à l'égout

Connecter la bride de retenue pour tuyau de vidange sur le tuyau de vidange ondulé.



A. Emboîter l'une ou l'autre des extrémités de la bride de retenue pour tuyau de vidange sur le tuyau de vidange, au point de commencement des ondulations.

B. Replier le tuyau de vidange sur la bride de retenue du tuyau de vidange et l'emboîter dans la bride de retenue.

Pour empêcher l'eau de vidange de refluer dans le lave-linge :

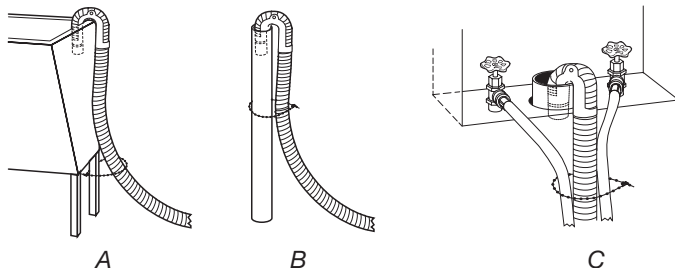
- Ne pas redresser le tuyau de vidange ni forcer l'excédent de tuyau de vidange dans le tuyau rigide de rejet à l'égout. Le tuyau doit être bien immobilisé, tout en permettant le passage d'air.
- Ne pas mettre l'excédent du tuyau de vidange dans l'évier de buanderie.

Egout au plancher

Il vous faudra peut-être des pièces supplémentaires. Voir Egout au plancher dans "Outillage et pièces".

Immobilisation du tuyau de vidange

1. Faire passer le cordon d'alimentation électrique par-dessus le lave-linge.
2. Déplacer le lave-linge à son emplacement final.
3. Placer le tuyau de vidange dans l'évier de buanderie ou le tuyau rigide de rejet à l'égout. Voir les illustrations A et B.
4. Fixer le tuyau de vidange à l'aide de la courroie perlée.



5. Si les robinets d'eau et le tuyau rigide de rejet à l'égout sont placés en retrait, introduire l'extrémité en crochet du tuyau de vidange dans le tuyau rigide de rejet à l'égout. Voir l'illustration C.

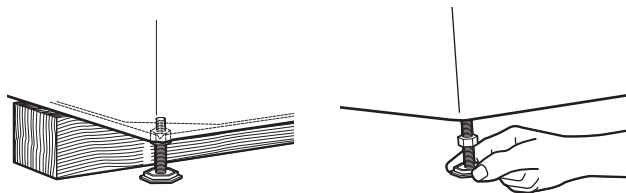
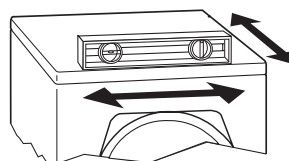
REMARQUES :

- Ne pas forcer l'excédent de tuyau de vidange dans l'arrière du lave-linge.
- Pour éviter un effet de siphon, ne pas assurer l'étanchéité à la jonction entre le tuyau de vidange et le tuyau rigide de rejet à l'égout.

Réglage de l'aplomb du lave-linge

Un bon aplomb du lave-linge évite le bruit et les vibrations excessifs.

1. Placer un niveau sur le bord supérieur du lave-linge pour contrôler l'aplomb, d'abord transversalement, puis dans le sens avant arrière.



Si le lave-linge est placé contre un mur, on doit l'écarter légèrement du mur avant de l'incliner vers l'arrière. Si le lave-linge n'est pas d'aplomb, soulever l'avant du lave-linge avec une cale de bois et ajuster la position des pieds selon le besoin; soulever ensuite l'arrière du lave-linge et ajuster la longueur des pieds selon le besoin. Répéter ces opérations jusqu'à l'obtention d'un aplomb correct du lave-linge.

2. Vérifier que les quatre pieds sont stables et reposent sur le sol. Vérifier ensuite que le lave-linge est parfaitement d'aplomb (utiliser un niveau).

3. Après avoir établi l'aplomb correct du lave-linge, utiliser une clé plate de 9/16" pour serrer fermement l'écrou de chaque pied contre la caisse du lave-linge.

IMPORTANT : Les 4 pieds doivent être bien serrés. Si les écrous ne sont pas bloqués contre la caisse du lave-linge, le lave-linge peut vibrer.

4. Le lave-linge ne doit pas bouger d'avant en arrière, latéralement ou transversalement lorsqu'on appuie sur les bords supérieurs.
5. Faire glisser le lave-linge à son emplacement final.
6. Vérifier le bon aplomb du lave-linge.

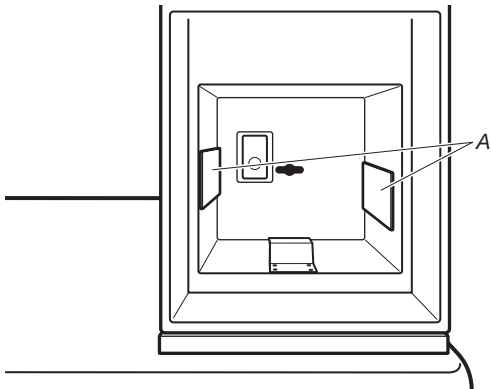
Réglage du système de paiement

Le modèle de lave-linge PD est prêt pour accepter les paiements avec des pièces et il permet de brancher deux formats différents de pièces. A l'intérieur du tambour se trouvent deux harnais de capteur de pièces. Pour régler le lave-linge pour un paiement avec des pièces, on doit acquérir un mécanisme de boîte de collecte. Brancher les détecteurs de pièces blanc et noir respectivement à la fente d'encastrement 1 et 2.

Installation des bandes de protection

REMARQUE : Pour modèles PD uniquement.

1. Retirer les 2 bandes de protection en polystyrène du sac.
2. Retirer le ruban adhésif de l'endos des protections adhésives.
3. Installer les protections sur les parois internes de gauche et de droite du coffre à pièces en laissant environ 6 mm (1/4 po) à 13 mm (1/2 po) d'espace près du bord avant du coffre afin de permettre à la boîte de pièces de s'enclencher.



A. Bandes de protection en polystyrène

Achever l'installation

1. Consulter les spécifications électriques. Vérifier que la tension électrique disponible est correcte et que la prise de courant est convenablement reliée à la terre. Voir "Spécifications électriques".
2. Vérifier que toutes les pièces sont maintenant installées. S'il reste une pièce, passer en revue les différentes étapes pour découvrir laquelle aurait été oubliée.

3. S'assurer d'avoir récupéré tous vos outils.
4. Jeter ou recycler tous les matériaux d'emballage.
5. Vérifier que chaque robinet d'eau est ouvert.
6. Vérifier s'il y a des fuites autour des robinets et des tuyaux d'arrivée d'eau.

⚠ AVERTISSEMENT



Risque de choc électrique

Brancher sur une prise reliée à la terre.

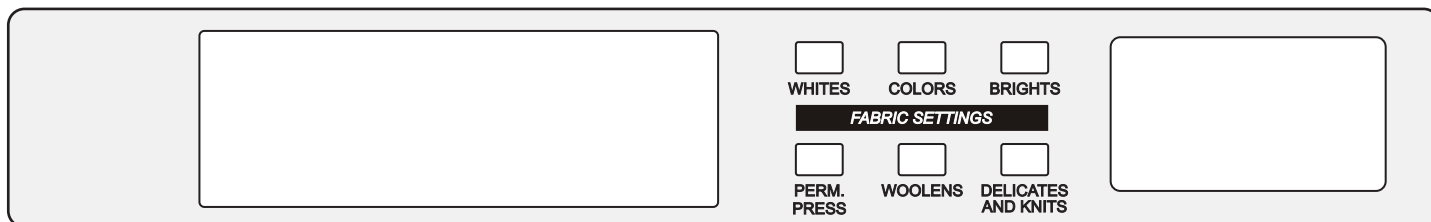
Ne pas utiliser un adaptateur.

Ne pas utiliser un câble de rallonge.

Le non-respect de ces instructions peut causer un décès, un incendie ou un choc électrique.

7. Brancher l'appareil sur une prise reliée à la terre.
8. Pour tester le fonctionnement du lave-linge ou effectuer le nettoyage, mesurer la moitié de la quantité de détergent recommandée par le fabricant pour une charge de taille moyenne. Verser le détergent dans le distributeur de détergent. Sélectionner n'importe quel programme et laisser le lave-linge exécuter un programme complet.

INSTRUCTIONS D'UTILISATION ET D'INSTALLATION



1. La porte doit rester fermée avant la sélection du programme.
2. Appuyer sur la touche de réglage du tissu pour le programme de lavage désiré. Après la mise en marche du programme, l'heure s'affichera et le compte à rebours commencera.

Informations générales

Défilement de 'out of order' (hors service) sur l'afficheur, suivi par un code de défaillance

Cette situation indique que le lave-linge n'est pas opérationnel.

Affichage de "0 Minutes"

Ceci indique qu'il n'est pas possible de faire fonctionner le lave-linge. L'information sur les pièces insérées ou les entrées de débit sera mémorisée mais ne peut être utilisée avant le rétablissement du fonctionnement normal par une manœuvre d'ouverture/fermeture de la porte. En cas de défaillance du contacteur de porte, on doit le remplacer pour pouvoir rétablir le fonctionnement normal.

Mise en marche à froid (pour la première utilisation)

Le lave-linge a été programmé à l'usine comme suit :

- Période de lavage de 14 minutes
- 3 rinçages (rinçage supplémentaire non activé)
- Prix de lavage 7 x pièce 1 (modèles PD)

Remise en marche (après une interruption de l'alimentation)

Quelques secondes après le rétablissement de l'alimentation électrique, si un programme était en cours au moment de la panne, "RESELECT CYCLE" (sélectionner à nouveau le programme) clignote sur l'afficheur, pour indiquer qu'il faut appuyer sur une touche pour remettre le lave-linge en marche.

Verrouillage de la porte

La porte sera verrouillée lorsque le programme se mettra en marche. La porte restera verrouillée jusqu'à la fin du programme ou pendant environ 2 minutes après une interruption d'alimentation.

Prix de l'utilisation

Après l'ouverture de la porte à l'achèvement d'un programme, l'afficheur présente le prix d'utilisation (sauf si le lave-linge est réglé pour l'utilisation gratuite). Lors de l'enregistrement de l'introduction de pièces ou d'un débit, l'information affichée change et guide l'utilisateur pour le lancement d'un programme.

Programmes gratuits

Pour ceci, on règle le prix de l'utilisation à zéro; l'afficheur présente alors "SELECT CYCLE" (sélectionner le programme) plutôt que le prix d'une utilisation.

Afficheur

Après l'installation initiale et le branchement du lave-linge, l'afficheur présente "0 MINUTES". Après le branchement du lave-linge et l'ouverture puis la fermeture de la porte, l'afficheur présente le prix. Si le lave-linge est réglé pour l'utilisation gratuite, l'afficheur présente "SELECT CYCLE" (sélectionner le programme) avec clignotement.



NOTE : Pas affiché sur le lave-linge tel qu'illustré. Le message défile et est suivi du code de défaillance..



Procédures de réglage des systèmes de commande

IMPORTANT : Lire la totalité des instructions avant l'utilisation.

- Modèles PD : Insérer la clé de la porte d'accès; tourner et soulever pour enlever la porte d'accès.
- Modèles PN : Enlever le connecteur AA1 sur la carte des circuits.

Les procédures de paramétrage peuvent être entrées en utilisant le Code d'accès pour entretien pour les lave-linge PN sans qu'un contacteur à clé ne soit installé.

IMPORTANT : Débrancher le lave-linge ou déconnecter la source de courant électrique avant d'ouvrir la console. Pour accéder au connecteur AA1 :

- Débrancher le lave-linge ou déconnecter la source de courant électrique.
- Ouvrir la console, débrancher le connecteur AA1; refermer la console.
- Brancher le lave-linge ou reconnecter la source de courant électrique.

Le lave-linge est maintenant au mode de paramétrage. Pour le réglage des systèmes de commande, on utilise les touches de réglage inférieures (tissu) et l'afficheur numérique. L'afficheur peut présenter 4 chiffres et/ou lettres et un point décimal, qui indiquent les codes de paramétrage et des valeurs connexes disponibles pour la programmation du lave-linge.

Une fois le lave-linge programmé avec un appareil de poche utilisant Accu Trac ou un lecteur de carte Gen. 2 est installé, le lave-linge est définitivement placé au mode dAS, et dAS est affiché à chaque accès au mode de paramétrage.

Utilisation des touches pour la programmation des systèmes de commande

1. La touche PERMANENT PRESS permet la sélection des valeurs associées aux codes de paramétrage. Une pression sur cette touche fait augmenter la valeur par incréments; si on maintient la pression sur cette touche, la valeur affichée augmente rapidement.
2. La touche WOOLENS commande la progression parmi les codes de paramétrage. Une pression sur cette touche provoque le passage au code de paramétrage suivant; une pression constante sur cette touche commande le défilement automatique des codes à raison de un code par seconde.
3. La touche DELICATES & KNITS permet de sélectionner/ désélectionner les options.

Mise en marche de paramétrage

NOTE : Avant la mise en service, un système de paiement ou un kit OPL doit être installé.

Avant de poursuivre, noter que malgré le grand nombre d'options disponibles, le propriétaire du lave-linge peut décider de simplement déballer un nouveau lave-linge commercial, le brancher et le raccorder; il sera alors parfaitement opérationnel. Les lave-linge sont pré-réglés à l'usine pour une période de lavage de 14 minutes et pour 3 rinçages (aucun rinçage supplémentaire).

Codes de paramétrage

- La touche WOOLENS permet de passer de code en code.
- La touche PERMANENT PRESS permet de changer la valeur du code.
- La touche DELICATES & KNITS permet de sélectionner ou désélectionner les options.

POUR LES MODELES PN : Les codes de paramétrage sont identiques au modèle PD, sauf quand spécifié.

Un ou deux caractères à gauche correspond(ent) au code de paramétrage. La valeur du code est indiquée par les 2 ou 3 caractères de droite.

CODE	EXPLICATION
6 07	PRIX POUR PROGRAMME REGULIER (paramétrage usine)
6 07	Ceci représente le nombre de pièces (pièce 1) requis pour démarrer le lave-linge; réglage dans la plage 0-39. (Voir VALEUR DE LA PIECE 1.) Pour faire augmenter le chiffre affiché entre 0-39, appuyer sur la touche PERMANENT PRESS. Configuré à l'usine pour 7 x pièce 1.
6 00	MODELES PN SEULEMENT : Configuré à l'usine pour 0 pièce. Avec une manoeuvre de la glissière d'insertion des pièces, ceci représente le nombre de manoeuvres à effectuer sur la glissière d'insertion des pièces pour la mise en marche du lave-linge. 6 01 représente une manoeuvre de la glissière à pièces de monnaie. NOTE : Le boîtier du compteur doit être replacé pour une manoeuvre de la glissière à pièces. → Appuyer une fois sur la touche WOOLENS pour passer au code suivant.
7 14	DUREE DU LAVAGE
7 14	Nombre de minutes de la période de LAVAGE. Le lave-linge est pré-réglé à l'usine pour 14 minutes. Sélectionner une valeur de 9-17 minutes : appuyer sur la touche PERMANENT PRESS. → Appuyer une fois sur la touche WOOLENS pour passer au code suivant.
8 00	OPTION RINÇAGE SUPPLÉMENTAIRE Cette option peut être SELECTIONNEE ("ON") ou PAS SELECTIONNEE ("OFF").
8 00	Pas sélectionnée ("OFF").
8 Ar	Sélectionnée ("ON"). Ne peut être combiné avec l'option de rinçage Super Programme. Appuyer une fois sur la touche DELICATES & KNITS pour cette sélection. → Appuyer une fois sur la touche WOOLENS pour passer au code suivant.
9 00	OPTION DE COMPTAGE DU NOMBRE DE PROGRAMMES Cette option peut être SELECTIONNEE ("ON") ou PAS SÉLECTIONNÉE ("OFF").
9 00	Pas sélectionnée ("OFF").
9 0C	Option sélectionnée et impossibilité de désélection. Appuyer 3 fois consécutives sur la touche DELICATES & KNITS pour sélectionner "ON" (active). Lorsque "ON" a été sélectionné, on ne peut désélectionner l'option. → Appuyer une fois sur la touche WOOLENS pour passer au code suivant.

CODE	EXPLICATION
1. 00	OPTION COMPTEUR DE MONNAIE Cette option peut être SELECTIONNEE ("ON") ou PAS SELECTIONNEE ("OFF").
1. 00	Pas sélectionnée ("OFF").
1. 0C	Option sélectionnée ("ON"). Appuyer 3 fois consécutives sur la touche DELICATES & KNITS pour sélectionner "ON" (active); appuyer 3 fois consécutives sur la touche pour désélectionner l'option. Le compteur passe de "OFF" (inactive) à "ON" (active).
→	Appuyer une fois sur la touche WOOLENS pour passer au code suivant.
1. C0	Option sélectionnée ("ON") et impossibilité de désélection. Pour sélectionner "ON" avec impossibilité de désélection, sélectionner d'abord "ON". Puis en moins de deux secondes appuyer deux fois sur la touche DELICATES & KNITS et une fois sur la touche PERMANENT PRESS, et quitter le mode de paramétrage.

2. 00 **OPTION DE PRIX SPECIAL**

Cette option peut être SELECTIONNEE ("ON") ou PAS SELECTIONNEE ("OFF").

2. 00 Pas sélectionnée ("OFF"), et le code suivant sera A.00
2. SP Option sélectionnée ("ON"). Appuyer une fois sur la touche DELICATES & KNITS pour cette sélection.

Si l'OPTION DE PRIX SPECIAL est sélectionnée, on a accès aux codes '3.XX' à '9.XX'.

- Appuyer une fois sur la touche WOOLENS pour passer au code suivant.

Options disponibles si l'option de PRIX SPECIAL a été sélectionnée :

3. 07 **PRIX POUR PROGRAMME SPECIAL**

3. 07 Ceci représente le nombre de pièces (pièce 1) requis pour démarrer le lave-linge; réglage dans la plage 0-39. (Voir VALEUR DE LA PIECE 1.) Pour faire augmenter le chiffre affiché entre 0-39, appuyer sur la touche PERMANENT PRESS. Configuré à l'usine pour 7 x pièce 1.
3. 00 MODELES PN SEULEMENT : Configuré à l'usine pour 0 pièce.
- Appuyer une fois sur la touche WOOLENS pour passer au code suivant.

5. 00 **HORLOGE - MINUTES**

5. 00 Sélection du nombre de minutes pour l'HORLOGE; sélectionner une valeur de 0-59 minutes : appuyer sur la touche PERMANENT PRESS.
- Appuyer une fois sur la touche WOOLENS pour passer au code suivant.

6. 00 **HORLOGE - HEURES**

NOTE : Utilisation du format 24 h.

6. 00 Sélection du nombre d'heures pour l'HORLOGE; sélectionner une valeur de 0-23 heures : appuyer sur la touche PERMANENT PRESS.
- Appuyer une fois sur la touche WOOLENS pour passer au code suivant.

CODE	EXPLICATION
7. 00	PRIX SPECIAL - HEURE DE COMMENCEMENT NOTE : Utilisation du format 24 h.
7. 00	Sélection de l'heure de commencement pour cette tarification; 0-23 heures. Sélectionner START HOUR (heure de commencement) : appuyer sur la touche PERMANENT PRESS.
→	Appuyer une fois sur la touche WOOLENS pour passer au code suivant.
8. 00	PRIX SPECIAL - HEURE D'EXPIRATION NOTE : Utilisation du format 24 h.
8. 00	Sélection de l'heure d'expiration pour cette tarification; 0-23 heures. Sélectionner STOP HOUR (heure d'expiration) : appuyer sur la touche PERMANENT PRESS.
→	Appuyer une fois sur la touche WOOLENS pour passer au code suivant.

9. 10 **JOUR POUR PRIX SPECIAL**

9. 10 Ceci représente le jour de la semaine sélectionné, et la sélection de la tarification spéciale pour ce jour. Un chiffre suivi de "0" indique que cette option n'est pas sélectionnée pour le jour particulier concerné (9.10). Un chiffre suivi d'un "S" indique que cette option est sélectionnée pour le jour concerné (9.1S). Pour changer la valeur de "0" et de "S", utiliser la touche DELICATES & KNITS.
- Pour sélectionner les jours de la semaine (1-7), appuyer sur la touche PERMANENT PRESS.

Le jour de la semaine doit apparaître sur l'afficheur au moment de sortir du code de paramétrage "9." :

AFFICHEUR	JOUR DE LA SEMAINE	CODE (sélectionné)
10	Jour 1= Dimanche	1S
20	Jour 2= Lundi	2S
30	Jour 3= Mardi	3S
40	Jour 4= Mercredi	4S
50	Jour 5= Jeudi	5S
60	Jour 6= Vendredi	6S
70	Jour 7= Samedi	7S
→	Appuyer une fois sur la touche WOOLENS pour passer au code suivant.	

CODE EXPLICATION

A. 00 **OPTION AFFICHAGE DU CONTENU DU COFFRE**

Cette option peut être SELECTIONNEE ("ON") ou PAS SELECTIONNEE ("OFF").

- A. 00 Pas sélectionnée ("OFF").

- A. SC Option sélectionnée ("ON"). Appuyer une fois sur la touche DELICATES & KNITS pour cette sélection. Lorsque l'option est sélectionnée, le montant d'argent et/ou le nombre de programmes (si on a sélectionnée l'option/les options du comptage) est visible lorsque la boîte à pièces a été enlevée.
- Appuyer une fois sur la touche WOOLENS pour passer au code suivant.

CODE	EXPLICATION
b. 05	VALEUR DE LA PIECE 1
b. 05	Ceci représente la valeur de la pièce 1 par incréments de 5 % de la valeur de la pièce plus importante. $5 \times 5 \% = 25 \%$. Par des pressions sur la touche PERMANENT PRESS, il y a l'option de 1-199 pour la quantité d'incrément de 5 %. Avec une manoeuvre de la glissière d'insertion des pièces, ce paramètre représente le prix de vente total. → Appuyer une fois sur la touche WOOLENS pour passer au code suivant.
C. 20	VALEUR DE LA PIECE 2
C. 20	Ceci représente la valeur de la pièce 2 par incréments de 5 % de la valeur de la pièce plus importante. $20 \times 5 \% = 100 \%$. Par des pressions sur la touche PERMANENT PRESS, il y a l'option de 1-199 pour la quantité d'incrément de 5 %.
C. 05	MODELES PN SEULEMENT : Ceci représente la valeur de la pièce 2 par incréments de 5 % de la valeur de la pièce plus importante. Configuré à l'usine pour $5 \times 5 \%$ de la pièce plus importante. → Appuyer une fois sur la touche WOOLENS pour passer au code suivant.
d. 00	OPTION GLISSIERE À PIÈCES Cette option peut être SELECTIONNEE ("ON") ou PAS SELECTIONNEE ("OFF").
d. 00	Pas sélectionnée ("OFF"). Utilisé pour les compteurs de pièces ou les lecteurs de cartes.
d. CS	Option sélectionnée ("ON"). Appuyer 3 fois consécutives sur la touche DELICATES & KNITS pour cette sélection. NOTE : Cette option devrait être réglée à "00" à moins que le boîtier du compteur ait été changé pour un dispositif de glissière à pièces. Lorsqu'on sélectionne le mode de glissière à pièces, sélectionner une valeur "b." égale à la valeur du prix de vente. Paramétrer le code de paramétrage 6 (prix pour programme régulier) et le code de paramétrage 3 (prix pour programme spécial) pour le nombre de manoeuvres de la glissière. Si le lave-linge est configuré en mode "CS" et qu'un compteur de pièces est installé, le lave-linge n'enregistrera pas les pièces. → Appuyer une fois sur la touche WOOLENS pour passer au code suivant.
E. 00	OPTION ADDITION DE PIECES Cette option peut être SELECTIONNEE ("ON") ou PAS SELECTIONNEE ("OFF"). Cette option commande l'affichage du nombre de pièces (pièce 1) à insérer, plutôt que d'un montant monétaire.
E. 00	Pas sélectionnée ("OFF").
AC	Option sélectionnée ("ON"). Appuyer 3 fois consécutives sur la touche DELICATES & KNITS pour cette sélection. → Appuyer une fois sur la touche WOOLENS pour passer au code suivant.

CODE	EXPLICATION
F. 00	OPTION TARIFICATION AMELIOREE
F. 00	Pas sélectionnée ("OFF").
F. CP	Activation de la tarification basée sur le programme. Cette option permet de configurer le lave-linge avec des prix différents pour les programmes de lavage avec eau chaude, eau tiède et eau froide.
F. Su	Programme super-tarification activé. Cette option permet au client d'ajouter de l'argent pour rehausser sa sélection. Les codes de paramétrage "H." et "h." ne s'affichent que si cette option a été préalablement activée. Appuyer une fois sur la touche DELICATES & KNITS pour cette sélection. → Appuyer une fois sur la touche WOOLENS pour passer au code suivant.
H. 01	PROGRAMME SUPER-TARIFICATION/ AMELIORATION (Omis, sauf si le programme super-tarification est activé.)
H. 01	Ceci représente le nombre de pièces 1 nécessaires pour l'accès au super programme à partir du programme de base. Utiliser la touche PERMANENT PRESS pour sélectionner une valeur de 0 à 39. → Appuyer une fois sur la touche WOOLENS pour passer au code suivant.
h. 01	TYPE DE SUPER PROGRAMME (Omis, sauf si le programme super-tarification est activé.)
h. 01	Ceci représente l'option super programme/ amélioration. Appuyer la touche PERMANENT PRESS pour sélectionner l'un des 3 niveaux d'amélioration : 01 - lavage amélioré, avec 3 minutes additionnelles de lavage/culbutage en plus de la durée de lavage programmée. 02 - rinçage additionnel pour tous les programmes. 03 - 01 + 02. → Appuyer une fois sur la touche WOOLENS pour passer au code suivant.
J. Cd	OPTION PIÈCES/DÉBIT
J. Cd	Sélection du paiement par pièces et par carte de débit. Appuyer 3 fois consécutives sur la touche DELICATES & KNITS pour changer cette sélection.
J. C_	Paiement par pièces sélectionné; paiement par carte de débit désactivé. Appuyer 3 fois consécutives sur la touche DELICATES & KNITS pour changer cette sélection.
J. _d	Paiement par carte de débit sélectionné, paiement par pièces désactivé. Modèles PN sont configurés à l'usine pour J._d. Appuyer 3 fois consécutives sur la touche DELICATES & KNITS pour changer cette sélection.
J. Ed	L'option de paiement améliorée/carte de débit est auto-sélectionnée lors de l'installation d'un lecteur de carte Génération 2 sur le lave-linge. On ne peut sélectionner/désélectionner manuellement l'option Ed. → Appuyer une fois sur la touche WOOLENS pour passer au code suivant.

CODE	EXPLICATION
L. 00	OPTION SUPPRESSION DU PRIX L'afficheur présente le message "ADD" (ajouter) ou "AVAILABLE" (disponible) plutôt que le montant monétaire à ajouter. (Utilisation principalement avec l'emploi du paiement par carte de débit.)
L. 00	Pas sélectionnée ("OFF").
PS	Option sélectionnée ("ON"). Appuyer une fois sur la touche DELICATES & KNITS pour cette sélection.
→	Appuyer une fois sur la touche WOOLENS pour passer au code suivant.
n. CE	OPTION EFFACEMENT DU MONTANT MEMORISE Lorsque cette option est sélectionnée, un montant conservé en mémoire est effacé après 30 minutes sans autre activité.
n. 00	Pas sélectionnée ("OFF").
n. CE	Sélectionnée ("ON"). Appuyer une fois sur la touche DELICATES & KNITS pour désélectionner cette option.
→	Appuyer une fois sur la touche WOOLENS pour passer au code suivant.
r. 800	VITESSE D'ESSORAGE LA PLUS ELEVEE (EN RPM)
r. 800	Cette option peut être sélectionnée à partir des vitesses d'essorage suivantes : 600 rpm, 750 rpm, 800 rpm, 1000 (affichage de 999) rpm. Passer d'une vitesse à une autre en appuyant sur PERMANENT PRESS. Configuré à l'usine pour 800 rpm.
→	Appuyer une fois sur la touche WOOLENS pour passer au code suivant.
U. 00	INCRÉMENT CENTIME
U. 00	Cette option n'est pas présente sur les modèles européens et la valeur doit être réglée à 00.
→	Appuyer une fois sur la touche WOOLENS pour passer au code suivant.
A1. 00	DURÉE DE PRELAVAGE
A1. 00	Nombre de minutes de la période de PRELAVAGE. Sélectionner 0 pour désactiver le pré-lavage ou sélectionner entre 2 et 7 minutes en appuyant sur la touche PERMANENT PRESS.
→	Appuyer une fois sur la touche WOOLENS pour passer au code suivant.
A2. 03	DUREE DE L'ESSORAGE FINAL
A2. 03	Nombre de minutes de la période de l'essorage final à vitesse élevée. Sélectionner entre 3 et 8 minutes en appuyant sur la touche PERMANENT PRESS.
→	Appuyer une fois sur la touche WOOLENS pour passer au code suivant.

Si le compteur de programme (9 0C) est sélectionné, ce qui suit est vrai :

1 00	Représente le nombre de programmes, en CENTAINES.	1 <u>02</u> = 200
2 00	Représente le nombre de programmes, en UNITES.	2 <u>25</u> = 25

TOTAL PROGRAMMES = 225

Cette information est "SEULEMENT AFFICHEE"; on ne peut l'effacer.

→ Appuyer une fois sur la touche WOOLENS pour passer au code suivant.

Si le compteur monétaire (1.0C ou 1.C0) est sélectionné, ce qui suit est vrai :

3 00	Nombre de pièces, en CENTAINES.	3 <u>01</u> = 400 x pièce 1
4 00	Nombre de pièces, en UNITES.	4 <u>68</u> = 272 x pièce 1
5 00	Nombre de PIECES.	5 <u>75</u> = 3 x pièce 1

Total = 675 x pièce 1

FIN DES PROCÉDURES DE PARAMETRAGE POUR QUITTER LE MODE DE PARAMETRAGE

- Modèles PD : Réinstaller la porte d'accès.
- Modèles PN :
 - Débrancher le lave-linge ou déconnecter la source de courant électrique.
 - Ouvrir la console, remettre en place le connecteur AA1; fermer la console.
 - Brancher le lave-linge ou reconnecter la source de courant électrique.
- MODELES PN AVEC LE CONTACTEUR DE PROGRAMMATION : Tourner la clé dans le sens horaire et la retirer.
- MODÈLES PN SANS CONTACTEUR DE PROGRAMMATION : On peut sortir du mode de paramétrage en suivant les procédures du Code d'accès pour entretien.

Mode de diagnostic du lave-linge

Pour accéder au "mode de diagnostic du lave-linge", accéder d'abord à "Start Operating Set-up" (Mise en marche de paramétrage). Ensuite appuyer sur la touche DELICATES & KNITS pendant 1 seconde alors que l'un des codes de paramétrage 1 à 6 est actif et qu'un code de diagnostic est présent, ou lorsque dAS est affiché alors qu'on utilise le système de saisie de données Maytag.

Lors du passage au mode de diagnostic, l'ensemble de l'affichage clignote, un programme en cours est annulé, l'information de paiement mémorisée est effacée et les codes de diagnostic sont effacés. Si l'affichage d'un code de diagnostic persiste, on doit résoudre l'anomalie avant que les options de programme suivantes puissent être mises en oeuvre.

Cinq moyens sont disponibles pour le lancement de l'activité d'un programme à partir du mode de diagnostic, comme suit :

1. Programme de nettoyage du lave-linge – Alors que l'ensemble de l'affichage clignote, ce programme est mis en marche en appuyant sur la touche BRIGHT.
Utiliser le programme Nettoyage du lave-linge une fois par mois pour que l'intérieur de votre lave-linge reste frais et propre. Ce programme consomme un niveau d'eau élevé. Utiliser avec un agent de blanchiment au chlore liquide pour bien nettoyer l'intérieur de votre lave-linge. Ce programme ne doit pas être interrompu.
IMPORTANT : Ne pas mettre de vêtements ou d'autres articles dans le lave-linge lors du programme de nettoyage du lave-linge. Exécuter ce programme avec un tambour de lavage vide.
2. Crédit pour programme – Alors que l'ensemble de l'affichage clignote, une pression sur la touche PERMANENT PRESS commande l'inscription d'un crédit pour un programme (affichage de CC). Lorsqu'on quitte le mode de service, l'affichage présente "SELECT CYCLE" sauf si une manoeuvre d'ouverture de porte (fin de programme) est nécessaire.
3. Test de l'aperçu manuel – Alors que l'ensemble de l'affichage clignote, ce programme est mis en marche en appuyant sur la touche WHITES. Ce programme offre des remplissages complets plus généraux, des culbutages, des vidanges, et un mouvement du distributeur de l'actionneur, permettant une analyse plus complète du fonctionnement du lave-linge, y compris le comportement du contacteur manométrique.
4. Programme d'essorage rapide – Alors que l'ensemble de l'affichage clignote, ce programme est mis en marche en appuyant sur la touche COLORS. Ce programme offre le moyen de vidanger et essorer rapidement (retirer l'eau du lave-linge) si désiré.
5. Test de l'aperçu rapide – Alors que l'ensemble de l'affichage clignote, ce programme est mis en marche en appuyant sur la touche WOOLENS. Ce programme offre une vérification rapide des valves d'admission d'eau chaude et d'eau froide, des distributeurs, du fonctionnement du moteur de la pompe, et du mouvement du distributeur de l'actionneur. Il comprend également des opérations de verrouillage de la porte, de vidange et d'essorage.

Appuyer sur la touche DELICATES & KNITS permet de quitter le mode diagnostic et d'annuler un programme de diagnostic en cours.

CODES DE DIAGNOSTIC

Si le mode de paramétrage est saisi et l'une des situations suivantes se produit, le code de diagnostic correspondant est affiché.

d5	Pièce 1 bloquée ou défaillance du circuit de commande de chute de pièce (reconnaissance des pièces et affichage du prix désactivés tant que le blocage persiste). Modèles PN uniquement : le mode de paramétrage J. doit être défini sur _d (ou Ed en mode de fonctionnement libre) pour éliminer les codes de diagnostic liés aux pièces.
d9	Tension faible détectée pendant 8 secondes.
d13	Pièce 2 bloquée ou défaillance du circuit de commande de chute de pièce (reconnaissance des pièces et affichage du prix désactivés tant que le blocage persiste).
F20	Remplissage lent. Le lave-linge ne détecte pas d'entrée d'eau depuis 4 min. Anomalie du manocontacteur ou absence d'entrée d'eau. Ce code est signalé en tant que d8 sur d7.
F22	La porte ne se verrouille pas. Erreur du verrou de porte ou personne essayant de démarrer le lave-linge en appuyant sur le contacteur de porte. Ce code est signalé en tant que d17 sur Accu Trac.

(Dans le cas d'un autre code, consulter le personnel du service après-vente.)

MODE D'AIDE SUR LE LAVE-LINGE

Ce mode est accessible en appuyant sur la touche PERMANENT PRESS (pressage permanent) dans le mode d'option de tarification spéciale 2.XX (ou lorsque dAS est affiché en cas de fonctionnement avec le paramétrage d'acquisition de données Maytag).

Dans le mode d'aide, d'autres affichages reflètent l'état de diverses entrées et sorties, de la manière suivante :

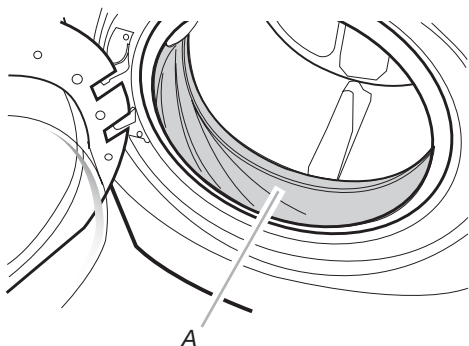
Affichage	Description
Wash	De l'eau observée au niveau du lavage.
*	De la basse tension présente (sous 90 VAC environ).
° (Circle above digit)	Porte fermée.
DOOR LOCKED	Porte observée à l'état verrouillé.
COLD	Relais d'eau froide allumé.
HOT	Relais d'eau chaude allumé.
OR	Porte déverrouillée.
AVAILABLE	Pompe de vidange à l'état ON.

ENTRETIEN DU LAVE-LINGE

Nettoyage du lave-linge

Nettoyage du joint/soufflet de la porte

1. Ouvrir la porte du lave-linge et retirer tout vêtement ou article du lave-linge.
2. Examiner le joint/soufflet coloré entre l'ouverture de la porte et le tambour pour déceler des zones tachées. Tirer sur le joint/soufflet pour examiner toutes les zones sous le joint/soufflet et voir s'il n'y a pas d'objets étrangers.



A. Joint/soufflet

3. Si des zones tachées sont décelées, essuyer ces zones en respectant la procédure indiquée ci-dessous.
 - a) Mélanger une solution diluée en utilisant 177 mL de tasse ($\frac{3}{4}$) d'agent de blanchiment au chlore liquide et 3,8 L (1 gal.) d'eau tiède du robinet.
 - b) Essuyer la zone du joint/soufflet avec la solution diluée, en utilisant un chiffon humide.
 - c) Laisser agir pendant 5 minutes.
 - d) Essuyer la zone complètement avec un chiffon sec et laisser l'intérieur du lave-linge sécher avec la porte ouverte.

IMPORTANT :

- Porter des gants en caoutchouc en cas de nettoyage pendant une période prolongée.
- Consulter les instructions du fabricant de l'agent de blanchiment pour une utilisation correcte.

Procédure d'entretien du lave-linge

Ce lave-linge comporte un programme spécial qui utilise des volumes d'eau plus importants en combinaison avec un agent de blanchiment au chlore liquide pour nettoyer en profondeur l'intérieur du lave-linge.

REMARQUES :

- Lire ces instructions complètement avant de débiter la procédure de nettoyage.
- Si nécessaire, le programme de nettoyage peut être interrompu en appuyant deux fois sur le bouton DELICATES AND KNITS. Cependant, ceci n'arrêtera pas immédiatement le programme. La machine poursuivra avec plusieurs rinçages et vidanges afin d'évacuer toute trace d'agent de blanchiment du lave-linge.

Début de la procédure

1. Ouvrir la porte du lave-linge et retirer tout vêtement ou article du lave-linge.
2. **Utiliser un agent de blanchiment liquide :**
Ouvrir le tiroir distributeur et ajouter immédiatement 160 mL de tasse ($\frac{2}{3}$) d'agent de blanchiment liquide au chlore dans le compartiment d'agent de blanchiment.
REMARQUE : Ne pas verser de détergent pour ce programme. L'utilisation de plus de 160 mL de tasse ($\frac{2}{3}$) d'agent de blanchiment occasionnera, avec le temps, des dommages au produit.
3. Fermer la porte du lave-linge et le tiroir distributeur.
4. Pour mettre en marche le programme de nettoyage du lave-linge entrer d'abord dans "Start Operating Set-up". Puis appuyer sur DELICATES AND KNITS pendant 1 seconde. Alors que l'ensemble de l'affichage clignote, appuyer sur BRIGHTS.

REMARQUE : Le panier pivote, la porte se déverrouille, se verrouille à nouveau et ensuite le programme se poursuit.

- La machine ne se remplit pas d'eau mais le panier tourne alors que le lave-linge effectue un court programme de détection. Ceci prend environ 3 minutes.
5. Le programme détermine si des vêtements ou d'autres articles se trouvent dans le lave-linge.
 - a) Si aucun article n'est détecté dans le lave-linge, il passe à l'étape 7.
 - b) Si des articles sont détectés dans le lave-linge, "rL" (enlever la charge) ou "F-34" s'affiche. Ensuite la porte se déverrouille.
 - Appuyer sur DELICATES AND KNITS pour annuler le code de défaillance. Puis répéter les étapes 1, 3 et 4 pour remettre le programme en marche.
 6. Une fois que le programme a commencé, laisser le programme s'achever.
 7. A la fin du programme, laisser la porte légèrement ouverte, pour permettre une meilleure ventilation et le séchage de l'intérieur du lave-linge.

Toujours suivre la procédure qui suit pour préserver la fraîcheur du lave-linge

- Utiliser uniquement un détergent pour lave-linge automatique.
- Laisser la porte légèrement ouverte après chaque programme pour permettre une meilleure ventilation et le séchage de l'intérieur du lave-linge.
- Nettoyer le lave-linge chaque mois selon la Procédure d'entretien du lave-linge, en utilisant $\frac{2}{3}$ de tasse (160 mL) d'agent de blanchiment au chlore liquide.
- Si la procédure ne permet pas de remédier suffisamment aux problèmes de fraîcheur de la machine, veuillez examiner les conditions d'installation et d'utilisation pour déceler d'autres causes.

Nettoyage de l'extérieur

Utiliser une éponge ou un chiffon doux humide pour essuyer les renversements. Essayer occasionnellement les surfaces externes du lave-linge pour maintenir son apparence d'appareil neuf. Utiliser un savon doux et de l'eau. Ne pas utiliser des produits abrasifs.

Nettoyage du tiroir distributeur

Le tiroir distributeur est amovible pour faciliter le nettoyage.

1. Déverrouiller le tiroir distributeur en appuyant sur le levier de dégagement. Retirer le tiroir.
2. Oter les pièces incluses (le siphon des compartiments de l'assouplissant de tissu et de l'agent de blanchiment).
3. Laver les pièces sous l'eau du robinet.

REMARQUE : Ne pas laver les composants au lave-vaisselle.

4. Réinstaller les pièces incluses et remettre le distributeur dans le tiroir.
-

Tuyaux d'arrivée d'eau

Remplacer les tuyaux d'arrivée d'eau après 5 ans d'utilisation pour réduire le risque de défaillance des tuyaux. Inspecter périodiquement les tuyaux; les remplacer en cas de renflement, de déformation, de coupure et d'usure ou si une fuite se manifeste.

Lors du remplacement des tuyaux d'arrivée d'eau, inscrire la date du remplacement.

ASSISTANCE OU SERVICE

Avant de faire un appel pour assistance ou service, veuillez vérifier la section "Dépannage". Cette vérification peut vous faire économiser le coût d'une intervention de dépannage. Si vous avez toujours besoin d'aide, contactez le marchand chez qui vous avez acheté l'appareil électroménager ou une compagnie de réparation désignée par Maytag.

Pour votre appel, veuillez connaître la date d'achat et les numéros de modèle et de série complets de votre appareil. Ces renseignements nous aideront à mieux répondre à votre demande.

Accessoires

Vous pouvez faciliter l'utilisation de votre lave-linge avec ces accessoires de première qualité.

Pour vous informer au sujet des autres articles de qualité ou pour commander, contacter votre distributeur Maytag agréé.

Produit numéro	Accessoire
8212638RP	Tuyau d'arrivée d'eau compact de 1,8 m (6 pi) en nylon tressé, coude à 90°, raccords hydro-blue en acier. (lot de 2)
8212487RP	Tuyau d'arrivée d'eau de 1,5 m (5 pi) en nylon tressé. (lot de 2)
8212526	Plateau d'égouttement du lave-linge, convient à tous les modèles
31682	Produit de nettoyage polyvalent pour appareils ménagers
1903WH	Casier de rangement de fournitures de buanderie

GARANTIE DU LAVE-LINGE, DU SECHE-LINGE, DU SECHE-LINGE/SECHE-LINGE SUPERPOSE COMMERCIAUX DE L'ENSEMBLE DE BUANDERIE COMMERCIAL SUPERPOSE, ET DES LAVE-LINGE ET SECHE-LINGE COMMERCIAUX MULTI-CHARGE PAYANTS MAYTAG

GARANTIE LIMITEE SUR LES PIECES

Pendant cinq ans à compter de la date d'achat, lorsque cet appareil ménager commercial est installé, utilisé et entretenu conformément aux instructions jointes à ou fournies avec le produit, Maytag marque de Whirlpool Corporation (ci-après désignée "Maytag") paiera pour les pièces de rechange spécifiées par l'usine ou les pièces de rechange d'équipement d'origine du fabricant pour corriger les vices de matériaux ou de fabrication. Une preuve d'achat originale est requise pour bénéficier du service de garantie.

MAYTAG NE PAIERA PAS POUR

1. Tous les autres frais, notamment la main-d'œuvre, le transport ou les taxes douanières.
2. Les visites de service pour rectifier l'installation de l'appareil ménager commercial, montrer à l'utilisateur comment utiliser l'appareil, remplacer ou réparer des fusibles, ou rectifier le câblage ou la plomberie extérieure.
3. Les réparations lorsque l'appareil est utilisé autrement que pour une utilisation commerciale ordinaire.
4. Les dommages imputables à une mauvaise manipulation du produit pendant une livraison, un vol, un accident, une modification, un usage impropre, un abus, un incendie, une inondation, des actes de Dieu, une mauvaise installation, une installation non conforme aux codes locaux d'électricité et de plomberie, ou l'utilisation de produits non approuvés par Maytag.
5. Le ramassage et la livraison. Cet appareil commercial est conçu pour être réparé sur place.
6. Les réparations aux pièces ou systèmes résultant d'une modification non autorisée faite à l'appareil commercial.
7. La dépose et la réinstallation de votre appareil commercial si celui-ci est installé dans un endroit inaccessible ou n'est pas installé conformément aux instructions d'installation fournies.
8. Les dommages chimiques ne sont pas couverts par la garantie.
9. Les modifications du bâtiment, de la pièce ou de l'emplacement nécessaires pour faire fonctionner l'appareil commercial correctement.

CLAUSE D'EXONERATION DE RESPONSABILITE AU TITRE DES GARANTIES IMPLICITES; LIMITATION DES RECOURS

LE SEUL ET EXCLUSIF RECOURS DU CLIENT DANS LE CADRE DE LA PRESENTE GARANTIE LIMITEE CONSISTE EN LA REPARATION OU LE REPARATION DU PRODUIT PREVUS CI-DESSUS. LES GARANTIES IMPLICITES, Y COMPRIS LES GARANTIES APPLICABLES DE QUALITE MARCHANDE ET D'APTITUDE A UN USAGE PARTICULIER, SONT LIMITEES A UN AN OU A LA PLUS COURTE PERIODE AUTORISEE PAR LA LOI. WHIRLPOOL N'ASSUME AUCUNE RESPONSABILITE POUR LES DOMMAGES FORTUITS OU INDIRECTS. CERTAINES JURIDICTIONS NE PERMETTENT PAS L'EXCLUSION OU LA LIMITATION DES DOMMAGES FORTUITS OU INDIRECTS, OU LES LIMITATIONS DE LA DUREE DES GARANTIES IMPLICITES DE QUALITE MARCHANDE OU D'APTITUDE A UN USAGE PARTICULIER, DE SORTE QUE CES EXCLUSIONS OU LIMITATIONS PEUVENT NE PAS S'APPLIQUER DANS VOTRE CAS. CETTE GARANTIE VOUS CONFERE DES DROITS JURIDIQUES SPECIFIQUES ET VOUS POUVEZ EGALEMENT JOUIR D'AUTRES DROITS QUI PEUVENT VARIER D'UNE JURIDICTION A UNE AUTRE.

Si vous avez besoin de service, veuillez communiquer avec votre distributeur d'ensemble de buanderie commercial Maytag autorisé. Pour localiser votre distributeur d'ensemble de buanderie commercial Maytag autorisé, ou pour des demandes de renseignements sur Internet, visitez le site Web www.MaytagCommercialLaundry.com.

9/07

Conservez ce manuel et votre reçu de vente ensemble pour référence ultérieure. Pour le service sous garantie, vous devez présenter un document prouvant la date d'achat ou d'installation.

Inscrivez les renseignements suivants au sujet de votre gros appareil ménager pour mieux vous aider à obtenir assistance ou service en cas de besoin. Vous devrez connaître le numéro de modèle et le numéro de série au complet. Vous trouverez ces renseignements sur la plaque signalétique située sur le produit.

Nom du marchand _____

Adresse _____

Numéro de téléphone _____

Numéro de modèle _____

Numéro de série _____

Date d'achat _____

Notes

W10299730A
© 2009
All rights reserved.
Tous droits réservés.

®Registered trademark/™ Trademark of Maytag Corporation or its related companies.
Used under license by Maytag Limited in Canada.
®Marque déposée/™ Marque de commerce de Maytag Corporation ou de ses compagnies affiliées.
Emploi sous licence par Maytag Limited au Canada.

10/09
Printed in Mexico
Imprimé au Mexique

Free Manuals Download Website

<http://myh66.com>

<http://usermanuals.us>

<http://www.somanuals.com>

<http://www.4manuals.cc>

<http://www.manual-lib.com>

<http://www.404manual.com>

<http://www.luxmanual.com>

<http://aubethermostatmanual.com>

Golf course search by state

<http://golfingnear.com>

Email search by domain

<http://emailbydomain.com>

Auto manuals search

<http://auto.somanuals.com>

TV manuals search

<http://tv.somanuals.com>