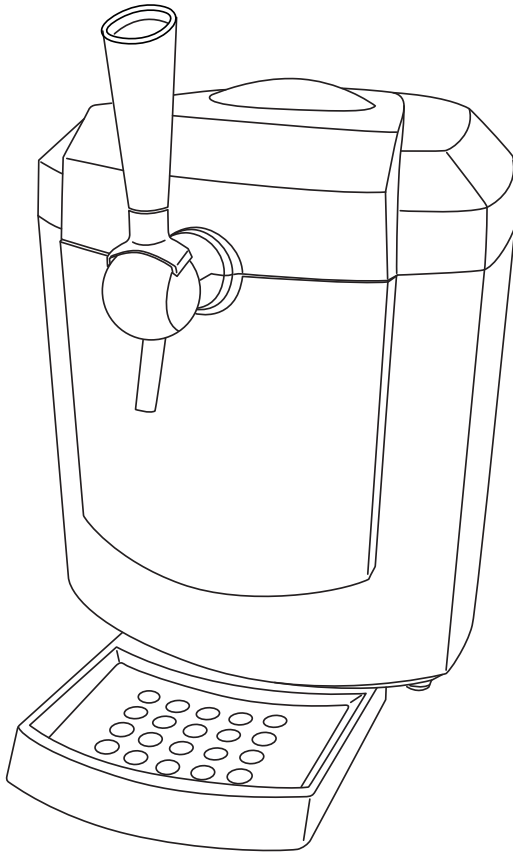




mellerware®

**E X E C U T I V E
D R A U G H T S M A N B E E R D I S P E N S E R**



complies with
**INTERNATIONAL
IEC60335
SAFETY SPECIFICATIONS**

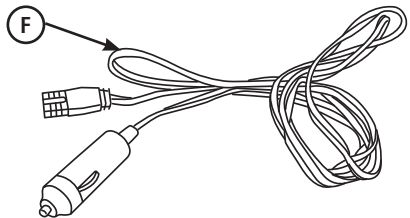
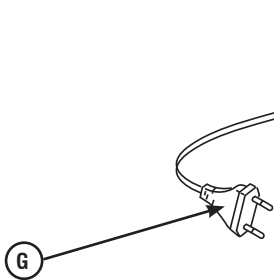
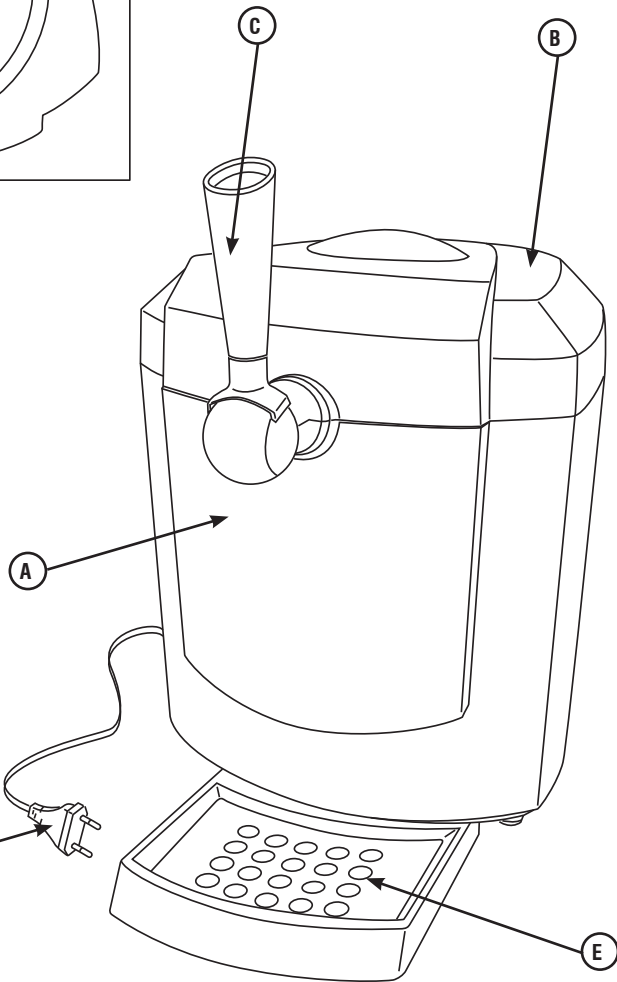
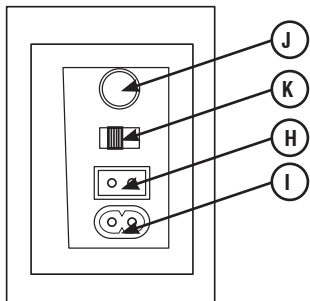
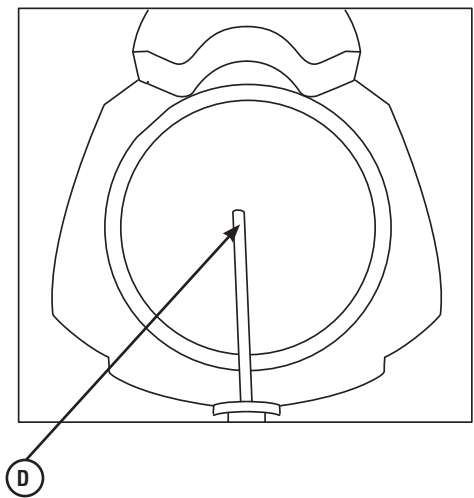
m
AC: 65W /
DC: 52W

CE
2 YEAR
GUARANTEE

Model:
BDM001

PLEASE READ ALL INSTRUCTIONS BEFORE USE

2 year guarantee



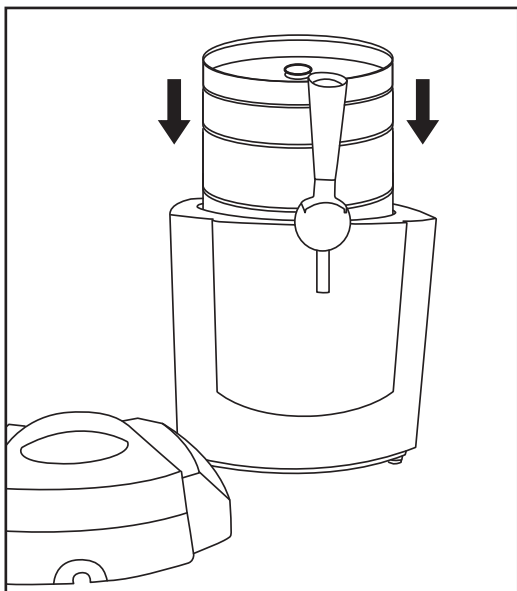


Fig.1

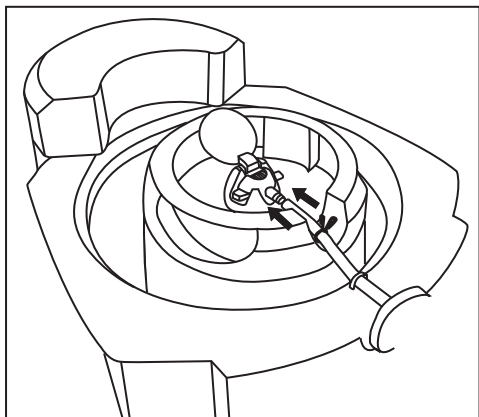


Fig.2

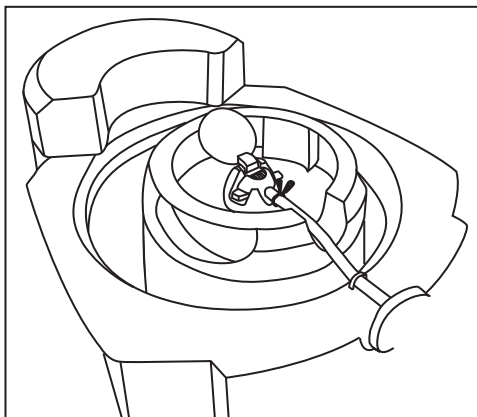


Fig.3



Description:

- A Body
- B Lid
- C Dispenser lever and handle
- D Rubber connectors and clips
- E Removable drip-tray with grill
- F 12V DC cable (connects to cigarette lighter slot)
- G 230V AC cable with plug (for home use)
- H 12V DC connection
- I 230V AC connection
- J Temperature selector control
- K Power voltage and selector control and stop

Safety tips and precautions

- Read these instructions carefully before switching on the appliance and keep them for future reference. Failure to follow and observe these instructions could lead to an accident.
- Clean all the parts of the product that will be in contact with food, as indicated in the cleaning section, before use.

Use or working environment:

- Do not place the appliance on hot surfaces like cooking plates, gas burners, ovens or similar.
- Place the appliance on a horizontal, flat and stable surface.

Electrical safety:

- Do not use the appliance if the cable or plug is damaged.
- Ensure that the voltage indicated on the rating label and voltage selector matches the mains voltage before plugging in the appliance.
- The appliance's plug must fit into the mains socket properly. Do not alter the plug. Do not use plug adaptors.
- Only use the appliance with the specific plugs and cables provided.
- Do not use or store the appliance outdoors.
- Do not leave the appliance out in the rain or exposed to moisture. If water gets into the appliance, this will increase the risk of electric shock.
- If any of the appliance's casing breaks, immediately disconnect the appliance from the mains to prevent the likelihood of an electric shock.
- Do not use the appliance if it has fallen on the floor, if there are visible signs of damage or if it has a leak.
- Do not force the electrical connection wire. Never use the electric wire to lift up, carry or unplug the appliance.
- Do not wrap the power cord around the appliance.
- Ensure that the electric cable does not get trapped or tangled.
- Keep the appliance well away from heat

- sources, oil, sharp edges or moving parts.
- Check the state of the electrical connection cable. Damaged or tangled cables increase the risk of electric shock.
- Do not touch the plug with wet hands.

Use and care:

- Fully extend the appliance's power cable before each use.
- Do not use the appliance if its accessories are not properly fitted.
- Do not use the appliance if the on/ off switch does not work.
- Do not move the appliance while in use.
- Do not turn the appliance over while it is in use or connected to the mains.
- Unplug the appliance from the mains when not in use and before undertaking any cleaning task.
- This appliance is for household use only, not professional or industrial use.
- This appliance is not a toy. Children should be supervised to ensure that they do not play with the appliance.
- This appliance is intended for adult use only. Ensure that this product is not used by the disabled, children or anyone under the age of 18 years of age.
- This appliance should be stored out of reach of children and/or the disabled.
- Do not put the appliance away in a horizontal position.
- Do not put the appliance away if it is still hot.
- Do not expose the appliance to extreme temperatures.
- Check that the lid is closed properly before starting the appliance.
- Do not use the appliance to store open beer kegs.
- Any misuse or failure to follow the instructions for use renders the guarantee and the manufacturer's liability null and void.

Installation:

- Do not cover or obstruct any of the openings of the appliance.

Installing the beer keg:

- The appliance is suitable for use with 4, 5 and 6 litre beer kegs (pressurised), which are sold in most major liquor outlets.
- Read the installation procedure and instructions for use, as provided by the beer keg manufacturer, very carefully before installing the keg into this appliance.
- Make sure the use by date of the beer keg has not passed.
- Open the lid (B) and place the beer keg in the cavity of the appliance (Fig.1)
- Ensure that the tap of the keg is in the "Close" position
- Attach the rubber connectors to the beer keg outlet hose (Fig.2 & Fig.3) making sure the clamps are secured tightly.



- Turn the tap of the beer keg to the "Open" position
- Close the lid (B).
- Do not use this device before operating any type of machinery or motorised vehicle.
- The beer expiry dates (printed on the keg) must be adhered to.
- Most kegs will not go "flat", once opened, for up to 30 days (depending on the type of keg).
- To obtain optimum cold temperatures, it is recommended that the keg is placed in the refrigerator before use.
- To obtain optimum pressure levels, it is recommended that the beer is consumed within 5 hours after opening the keg.
- Remember to open the tap on the keg before using the dispenser nozzle.

Instructions for use

Before use:

- Make sure that all of the product's packaging has been removed.
- Ensure that the selected voltage selector coincides with the mains.

Use:

- Extend the cable completely before plugging it in.
- Ensure that the electronic connector is properly attached to the appliance.
- Connect the appliance to the mains.
- Open the cover
- Insert keg
- Close cover
- Turn the thermostat control to the desired temperature position.

Practical recommendations:

- To speed up the cooling and start up of the appliance we recommend you buy previously cooled kegs of beer, or place your keg in the refrigerator prior to use in this appliance.

Once you have finished using the appliance:

- Stop the appliance; turn the power control/switch to the 0 position.
- Unplug the appliance from the mains.
- Remove the keg of beer.
- Close the lid.
- Always clean the appliance after each use.

Cleaning:

- Once the appliance is switched off disconnected from the mains, allow it to cool before undertaking any cleaning task.
- Clean the equipment with a damp cloth with a few drops of washing-up liquid and then dry.
- Do not use harsh solvents, or products with an acid or base pH such as bleach, or abrasive products for cleaning the appliance.
- Do not let water or any other liquid get into the air vents to avoid damage to the inner parts of the

appliance.

- Do not submerge the appliance in water or any other liquid, or place it under a running tap.

Anomalies and repair:

- Take the appliance to an authorized technical support service if problems arise. Do not try to dismantle or repair the appliance yourself, as this may be dangerous and will render the manufacturer's guarantee void.
- If the connection to the mains has been damaged, it must be replaced and you should proceed as you would in the case of damage.

Ecology and recyclability of the product:

- The materials of which the packaging of this appliance consists are recyclable. Should you wish to dispose of them, use appropriate public waste containers for each type of material.
- The product does not contain concentrations of substances that could be considered harmful to the environment. Should you wish to dispose of the product once its working life has ended, take it to an authorised waste collection agent for recycling.



creative housewares

27 Nourse Avenue Epping 2 Cape Town
PO. Box 975 Eppindust 7475 South Africa
Tel: +27 21 534 8114 Fax: +27 21 534 8086
Service Centre Share Call: 086 111 5006
web: www.creativehousewares.co.za



Free Manuals Download Website

<http://myh66.com>

<http://usermanuals.us>

<http://www.somanuals.com>

<http://www.4manuals.cc>

<http://www.manual-lib.com>

<http://www.404manual.com>

<http://www.luxmanual.com>

<http://aubethermostatmanual.com>

Golf course search by state

<http://golfingnear.com>

Email search by domain

<http://emailbydomain.com>

Auto manuals search

<http://auto.somanuals.com>

TV manuals search

<http://tv.somanuals.com>