

mellerware®

TRENDS FOR LIFE



breeze  
stand fan

complies with  
INTERNATIONAL  
IEC60335  
SAFETY SPECIFICATIONS

**m**  
5 0 W

**CE**  
2 YEAR  
GUARANTEE

Model:  
3 5 8 3 0

**PLEASE READ ALL INSTRUCTIONS BEFORE USE**

**2** year  
guarantee

Dear Customer,

Thank you for purchasing a MELLERWARE household appliance. Its technology, design, and functionality, along with complying to the strictest quality standards, will be a source of satisfaction for a long time to come.

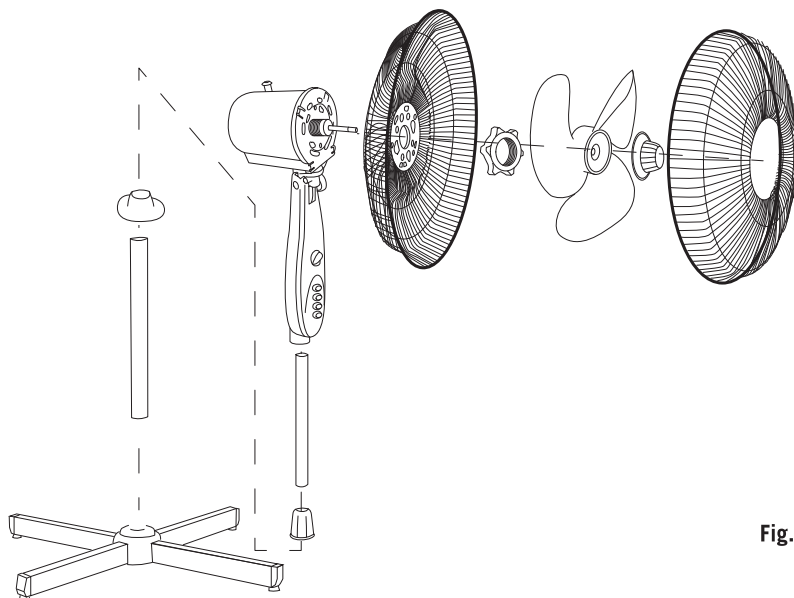
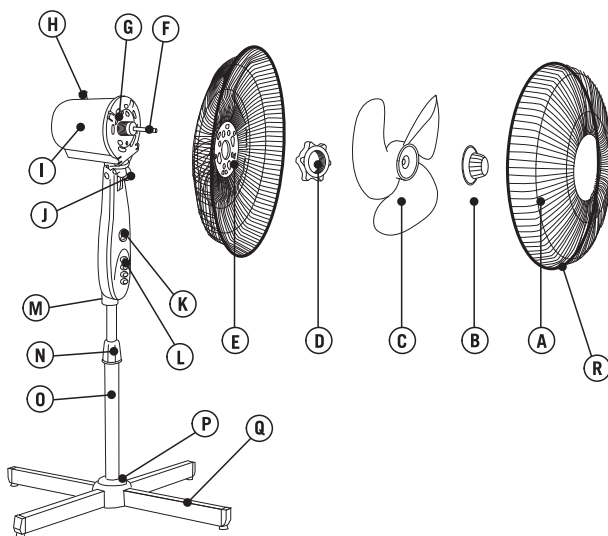


Fig. 1

## DESCRIPTION

- A Front grille
- B Blade support nut
- C Fan propeller
- D Grille support nut
- E Rear grille
- F Motor axle
- G Motor front
- H Swing control
- I Motor/casing assembly
- J Tilt control
- K On/Off buttons
- L Column support screw
- M Height adjustment control
- N Adjustable telescopic column
- O Small column base trim
- P Column base
- Q Base legs
- R Safety Grille
- S Base trim





## SAFETY ADVICE AND WARNINGS

• **Read this instruction leaflet carefully before using the appliance, and keep it for future consultation.**

- Position the appliance on an even, stable surface, away from the heat and possible water splashes.
- Ensure that the indicated voltage on the rating label matches the mains voltage before plugging in the appliance.
- Do not use the appliance if the cord is damaged.
- Never touch the plug with wet hands.
- Unplug the appliance by pulling on the plug, not on the cord.
- Unplug the appliance from the mains when not in use and before cleaning.
- This appliance is for household use only, not industrial use.
- Never leave the appliance unattended.
- This appliance is intended for use by adults. Do not allow children or disabled persons to use it.
- Do not move or change the position of the appliance whilst in operation.
- Any inappropriate use or non-compliance with the operating instructions renders the warranty and the manufacturer's liability null and void.
- Never insert fingers, pencils or any other objects through the grille while the fan is operating.
- Completely assemble the fan before switching it on.

## ASSEMBLY INSTRUCTIONS

1. Cross the two base legs together. Secure and tighten the column base to the base legs using the 4 screws provided.
2. Unscrew the height adjustment control anti-clockwise to fit the small trim to the column base. Once the trim is in place, refit the height adjustment control and set the required height of the telescopic tube.
3. Fit the body of the fan to the telescopic column, adjusting the screw behind the body.

4. Fit the rear grille and secure with the plastic support nut. Make sure that the handle faces upwards and the plastic pins are aligned to the corresponding holes on the rear grille for perfect coupling.

5. Fit the fan propeller and secure with blade support nut. Ensure that the drive pin that goes through the motor axle fits securely in the groove at the back of the propeller.

6. Insert the front grille through the top of the rear grille. Fit the rear grille clips onto the front grille. Check that the grille safety screw holes are aligned at the bottom of the grille. Secure and tighten the grille safety screw.

## INSTRUCTIONS FOR USE

- Connect the appliance to the mains.
- Select the airflow required using the buttons:
  0. Stop fan
  1. Minimum air flow
  2. Medium air flow
  3. Maximum air flow
- To completely stop all the fan functions, turn the timer control to the O position.

## SWING AND TILT

- The fan head can swing from right to left, sweeping air from a certain area. To do so, simply press the swing control.
- To set the fan head, pull the swing control and turn the head to the required position.
- To tilt the fan head, loosen the tilt control by holding onto the grille and motor casing with both hands and resetting it to the required position.
- The control N can be used to adjust the height.

## CLEANING

- Unplug the appliance and allow it to cool before cleaning.



- On removing the front grill to clean the propeller, make sure that the fan is unplugged before removing the guard.
- Clean the equipment with a damp cloth with a few drops of washing-up liquid and then dry.
- Do not use solvents, or products with an acid or base pH such as bleach, or abrasive products, for cleaning the appliance.
- Do not submerge the appliance in water or any other liquid.

### **ANOMALIES AND REPAIR**

In the event of a failure in the mains connection, do not try to replace it, as this could be dangerous. Take the appliance to an authorised Technical Assistance Service. The same applies to any other type of anomaly.







creative housewares

27 Nourse Avenue Epping 2 Cape Town  
PO. Box 975 Eppindust 7475 South Africa  
Tel: +27 21 534 8114 Fax: +27 21 534 8086  
Service Centre Share Call: 086 111 5006  
web: [www.creativehousewares.co.za](http://www.creativehousewares.co.za)

## Free Manuals Download Website

<http://myh66.com>

<http://usermanuals.us>

<http://www.somanuals.com>

<http://www.4manuals.cc>

<http://www.manual-lib.com>

<http://www.404manual.com>

<http://www.luxmanual.com>

<http://aubethermostatmanual.com>

Golf course search by state

<http://golfingnear.com>

Email search by domain

<http://emailbydomain.com>

Auto manuals search

<http://auto.somanuals.com>

TV manuals search

<http://tv.somanuals.com>