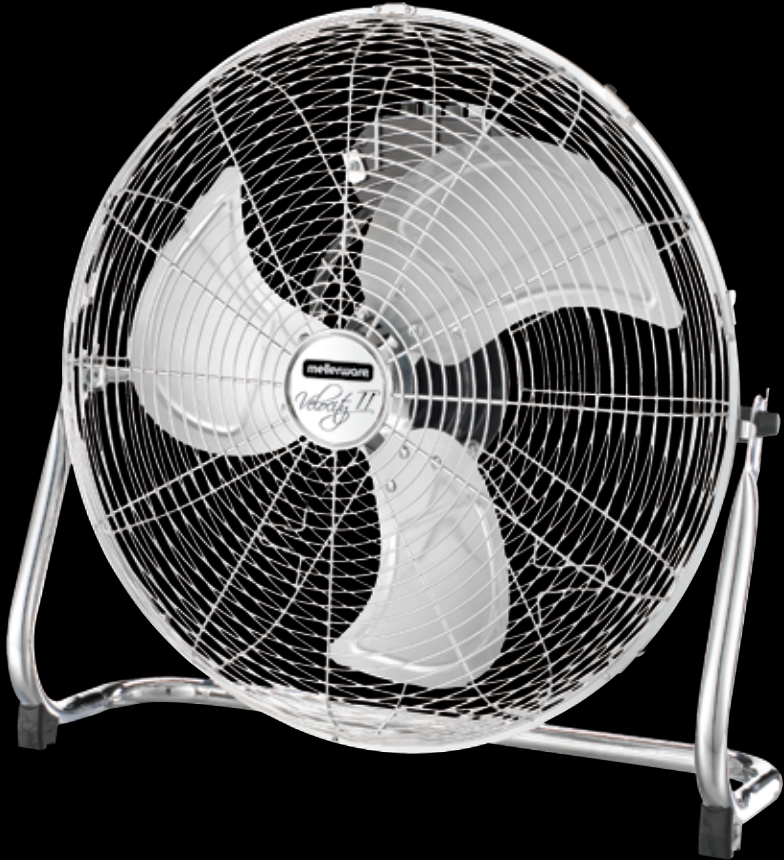


mellerware®

TRENDS FOR LIFE

VELOCITY II FLOOR FAN



Complies with
INTERNATIONAL
IEC60335
SAFETY SPECIFICATIONS

m
140 W

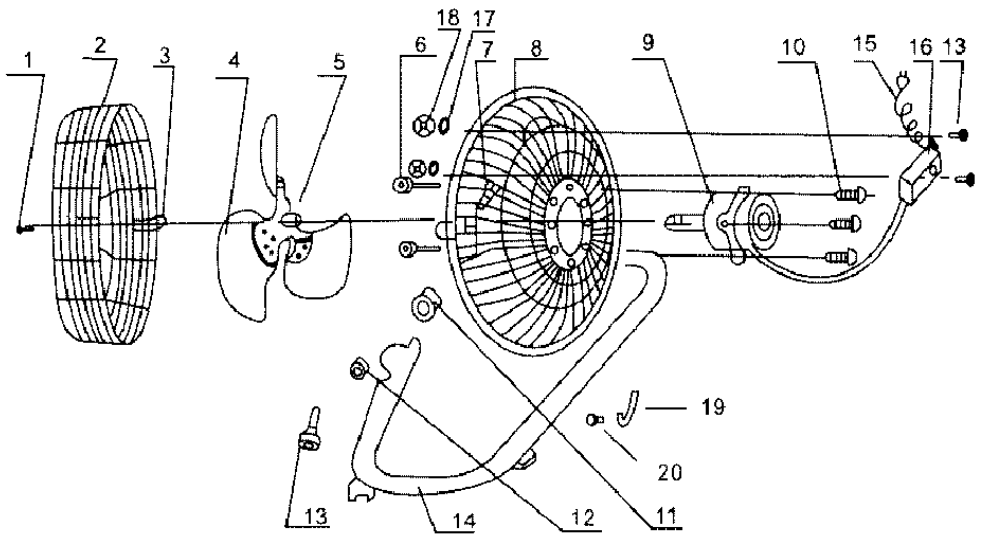
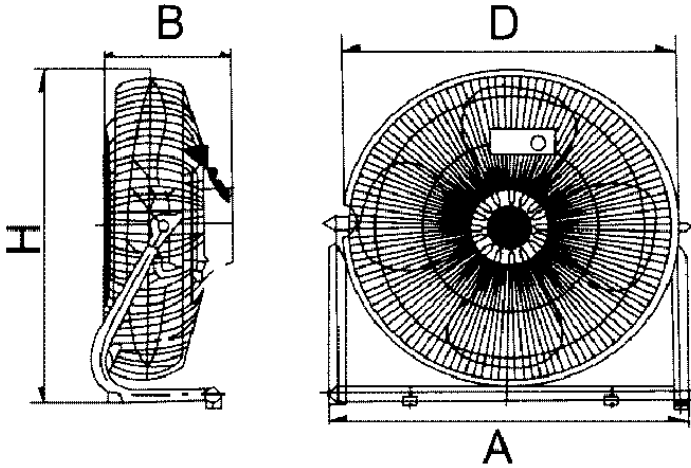
CE
2 YEAR
GUARANTEE

Model:
35951

PLEASE READ ALL INSTRUCTIONS BEFORE USE

2 year guarantee

KEYS AND CHARACTERISTICS:



Description

- | | | |
|----------------|--------------------|------------------|
| 1. Screw | 8. Rearguard | 15. Power Cord |
| 2. Front Guard | 9. Motor | 16. Control Box |
| 3. Guard Clips | 10. Screw | 17. Washer |
| 4. Blade | 11. Plastic Bearer | 18. Nut |
| 5. Set Screw | 12. Locknut | 19. Hanging Hook |
| 6. Nut | 13. Screw | 20. Screw |
| 7. Square Bolt | 14. Tube Base | |

This sleek and modern high velocity fan provides for a more powerful wind than ordinary plastic fans. It draws air and circulates it through the entire room, keeping the room cool and breezy. If you put it near the windows, it will help exhaust the hot/stuffy indoor air, and pulls in the fresh outdoor air.

- High velocity motor for maximum air circulation
- Tilt-adjustment for flexible use
- Triple speed selection
- Precision fan blades for powerful wind but low-noise
- Chrome stand, solid construction with thermal-protection to prevent the motor from overheating
- Versatile use. It can be used on the floor, desk, or mounted on the wall.

OPERATING INSTRUCTIONS:

1. Ensure the voltage used on the mains corresponds with the voltage indicated on the rating label.
2. Turn the speed control to selected speeds: 0(off) and speeds 1 (slow), 2 (medium), 3 (fast).
3. To change the tilting angle, push the tilt guard to the angled desired.
4. Never touch the blades with your hand, or with any other object, while the fan is plugged into the wall socket.
5. Do not pull on the cord to remove the plug from the wall socket, as this may cause damage. If the cord or any other part of the appliance is damaged, contact the supplier to take it to the nearest authorized repair agent. Do not carry out repairs with any unauthorized electrician, as this will void the guarantee provided for by the supplier.

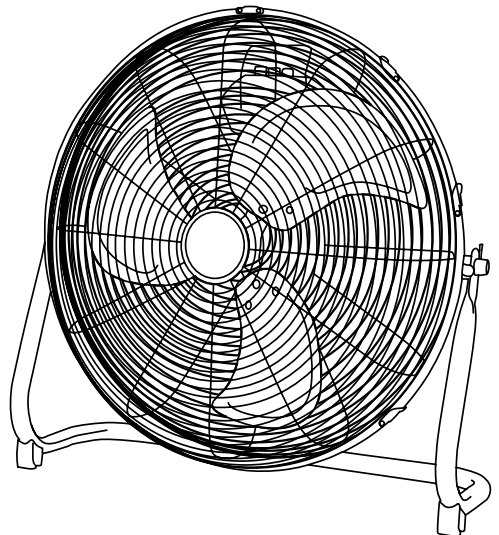
CLEANING AND MAINTENANCE

1. Disconnect the power cord from the mains. Remove the guard and the blades carefully.
2. Use a cloth with a light soap to clean the oil stains. Then, wipe dry and polish with a dry cloth.
3. Never use polish or any corrosive liquid that may damage the paint, metal, or plastic.
4. Re-assemble the blades and lock the guard securely before use.

MOUNTING

To mount the appliance on the wall, use strong and durable tools. Ensure that the correct support is used to firmly support the weight of the fan.

Note: Please note that this fan is only intended for the use as set out in the above instruction manual. Should this be used for any other purpose, it is not carried by the suppliers guarantee.



creative housewares

27 Nourse Avenue Epping 2 Cape Town
PO. Box 975 Eppindust 7475 South Africa
Tel: +27 21 534 8114 Fax: +27 21 534 8086
Service Centre Share Call: 086 111 5006
web: www.creativehousewares.co.za

Free Manuals Download Website

<http://myh66.com>

<http://usermanuals.us>

<http://www.somanuals.com>

<http://www.4manuals.cc>

<http://www.manual-lib.com>

<http://www.404manual.com>

<http://www.luxmanual.com>

<http://aubethermostatmanual.com>

Golf course search by state

<http://golfingnear.com>

Email search by domain

<http://emailbydomain.com>

Auto manuals search

<http://auto.somanuals.com>

TV manuals search

<http://tv.somanuals.com>