



**mellerware®**

EXECUTIVE  
INSIGNIA VACUUM CLEANER



Complies with  
INTERNATIONAL  
**IEC60355**  
SAFETY SPECIFICATIONS

**m**  
2000W max

2 YEAR  
GUARANTEE

Model:  
VAC2000

**PLEASE READ ALL INSTRUCTIONS BEFORE USE**

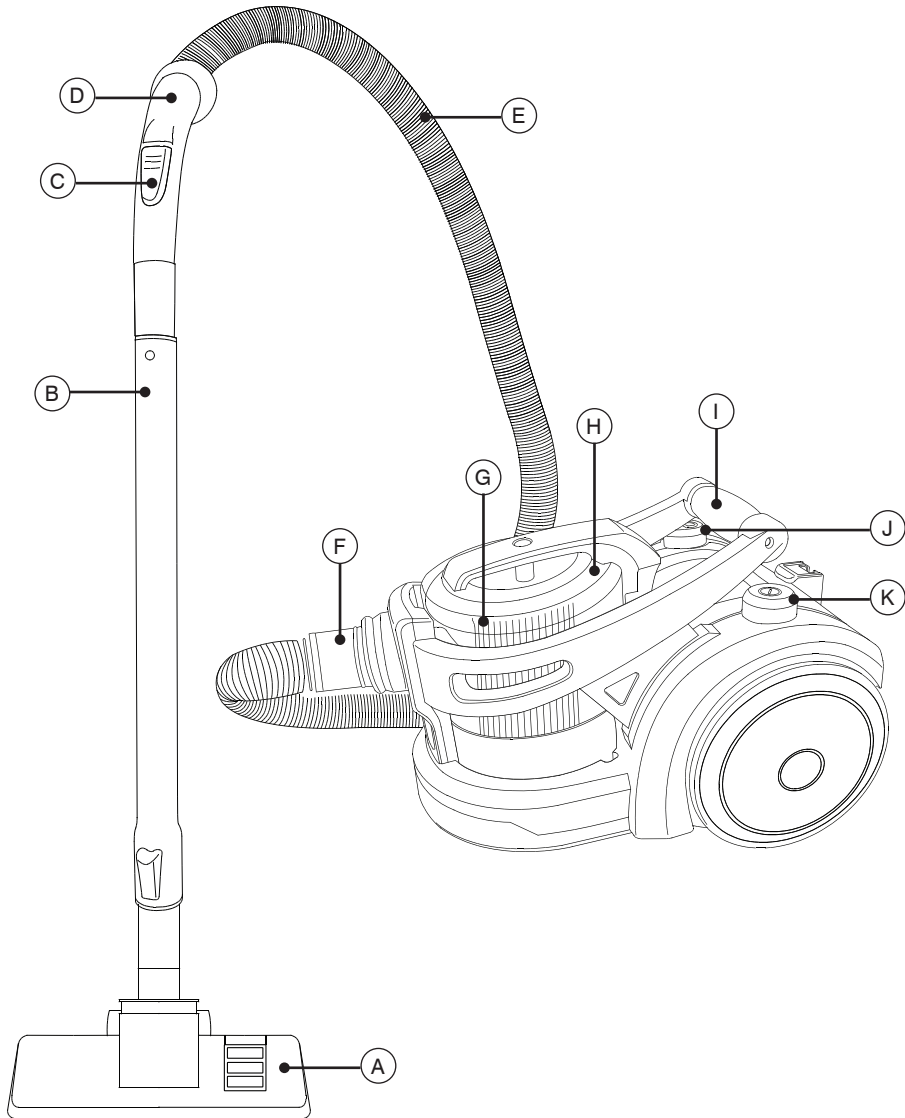
**2 year guarantee**





Dear customer,

Many thanks for purchasing a MELLERWARE product. Thanks to its technology, design and operation and the fact that it goes through strict quality controls - we feel sure you will be entirely satisfied.



- |                       |                                    |
|-----------------------|------------------------------------|
| A. Floor tool         | G. HEPA filter                     |
| B. Extension tube     | H. Bagless dust compartment        |
| C. Air regulator vent | I. Handle                          |
| D. Hose handle        | J. Cord rewind button              |
| E. Hose               | K. ON/OFF / speed variation button |
| F. Hose connector     |                                    |





## Safety Warning

For household use only!

1. When using the cleaner, you should adhere to the following basic safety precautions:
2. Please unplug the appliance when not in use or before maintenance.
3. In order to reduce the danger of electric shock, please don't use outdoors or on a wet surface.
4. Don't use as a toy for children, please pay close attention to safety when a child uses or comes close to the cleaner.
5. Use only the accessories described in the Guide and provided by the factory.
6. Do not use with damaged cord or plug. If cleaner is not working as it should, has been dropped, damaged, left outdoors, or dropped into water, or if the cord is damaged. Return it to an appointed customer repair center for check, repair or regulation.
7. The appliance cord should not be used as a handle to pull and lift the appliance. Do not allow cord to be submerged in tight spaces i.e. between room door and door frame. Do not allow cord to come into contact with sharp edges and surfaces. Do not allow the appliance to run over the cord. Do not allow the cord to come into contact with any heat surface.
8. Do not pull the cord when removing the plug from the mains socket.
9. Don't touch the plug or operate the cleaner with wet hands.
10. Do not allow objects to restrict airflow or to block airflow.
11. Do not allow any body parts i.e. hair, fingers, hand etc to block the airflow of the cleaner as this puts unnecessary strain on the motor and can cause the motor to burn out.
12. Please don't use the cleaner to absorb hard or sharp objects such as the glass, nails, screws, coins, etc., otherwise the machine or the HEPA filter will be damaged.
13. Do not use this machine to clean hot objects and substances as this will cause damage to the appliance.
14. Do not use the appliance unless the bagless dust compartment and HEPA filter are inserted.
15. Please ensure that the appliance is switched off before inserting and removing the plug from the mains socket.
16. Take special care when using the cleaner to clean a flight of stairs.
17. Please don't use the cleaner to absorb combustible or inflammable liquids (cleaning liquid, gasoline, perfume and so on) or use it in the area where they may possibly exist;
18. Do not use this appliance to clean up toxic substances (bleaching powder, ammonia water and so on);
19. When connecting or disconnecting hose from appliance, please ensure that the appliance is

switched off.

20. CAUTION! The appliance has a rapid cord reel mechanism, please take extra care when retracting the cord.
21. Do not use the appliance other than for its intended use and beyond the scope of this User's Guide.
22. When using the appliance, please ensure that the correct voltage supply is administered as the incorrect voltage and current can cause the cord to heat up and become soft.
23. This appliance should be stored in a cool and dry area.
24. When using the appliance take care not to stumble over the cord!
25. Please don't immerse the appliance in the water or other liquids;
26. Please don't use the appliance to clean your pets or other animals;
27. Please keep suction inlet away from ear area due to excessive noise levels when in operation.

### Important points:

If reduced suction occurs, below is a list of causes:

1. The extension tube or hose could be blocked. Switch off the appliance and clear the extension tube or hose before continuing.
2. HEPA filter could be blocked due to not being cleaned regularly, or the bagless dust compartment is full and should be cleaned.
  - While operating the cleaner, one should keep it far away from a heat or radiant source;
  - Before cleaning commences, please ensure that the appliance with all hoses and extension tubes are free of large or sharp objects as this can cause damage to the appliance or accessories.
  - When removing the plug from the socket, do not pull the cord, place hand directly on the plug and remove from the socket.
  - Should the appliance make a strange or abnormal sound or noise during operation, switch off the cleaner. Clean out the appliance and all the piping as well as ensure that all accessories are attached correctly to the cleaner.

### Remarks:

This appliance is fitted with a cord rewriter mechanism. If the cord, plug or mechanism is damaged, please take the appliance to the nearest repair centre so that the damaged components can be repaired by the correct personnel.





## Use and function

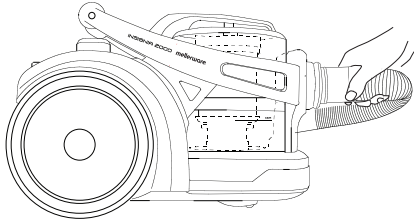
### A Guide to Assembling

#### Caution:

Be sure to cut off power and dismantle accessories before assembling.

Join hose and cleaner by means of joining hose at suction inlet .

(Fig. 1)

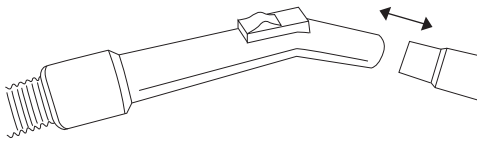


Insert the hose into the suction and turn it clockwise.

#### Assembling hose handle to extension tube:

To attach the hose handle to the extension tube, insert the bottom of the hose handle into the top of the extension tube (as shown in figure 2). The amount of suction may also be adjusted by using the air regulator vent on the hose handle.

(Fig. 2)



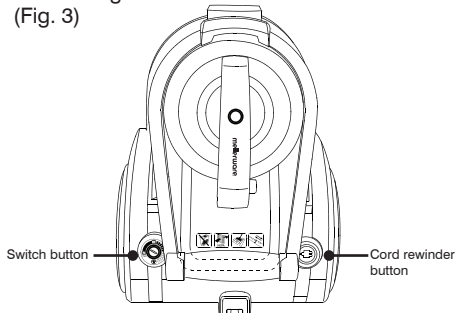
#### Control of suction force:

#### Caution:

Once all the accessories have been attached to the appliance, remove the desired length of cord required. The yellow mark on the cord is the recommended ideal cord length. The cord should not be removed beyond the red mark.

1. Insert the power plug;
2. Press down the switch button of the cleaner, keep it ON ; make the suction power stronger by turning it clockwise and make weaker by turning it anticlockwise.

(Fig. 3)



3. Ideal cord reel method is as follows: Place plug in one hand and using the other hand, press cord reel button to rewind cord. By keeping the plug in one hand, this allows cord to be retracted properly and not allow cord to get tangled during rewind process.

#### 4. Thermal cut-out:

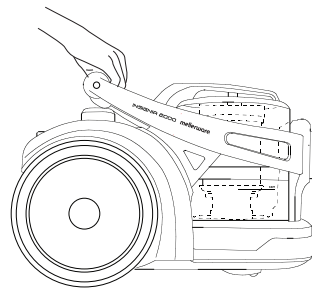
This appliance has been fitted with a thermal cut-out to protect the motor from destruction or harm, should the operating temperature exceed the safe operating temperature. If the appliance cuts out, remove the plug from the socket and allow the appliance to cool down. Also check all piping and tubes for obstacles blocking or restricting airflow. Clean out bagless dust compartment and HEPA filter. Allow the appliance to cool down for 1 hour before reuse.

#### Move and transporting the appliance:

#### Caution:

A special handle is provided with this appliance which will enable you to move and transport this appliance comfortably. There is also a specially designed grip handle on the bagless dust compartment to move or transport the appliance. Please note: Do not use the grip handle of the bagless dust compartment to move or transport the appliance. This can cause damage to the compartment as well as cause the appliance to malfunction.

(Fig. 4)



#### Cleaning the HEPA filter:

#### Warning:

Before any cleaning is done, please ensure that the appliance is switched off and that the appliance plug is removed from the socket.

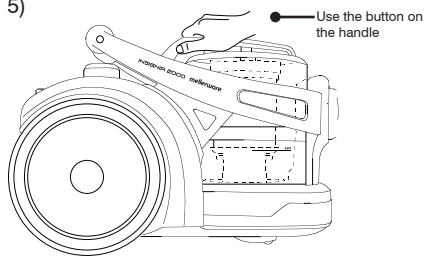
1. Press the release button of the bagless dust compartment, found on the dust grip handle. Remove the bagless dust compartment from the appliance. Release the button of the bagless dust compartment once compartment has been fully removed.
2. Once the compartment has been removed, open the hatch of the compartment to empty all dust and dirt as shown in Fig. 6.

(It is essential to empty bagless dust compartment once dust level reaches maximum capacity. Also remove HEPA filter and clean separately.)



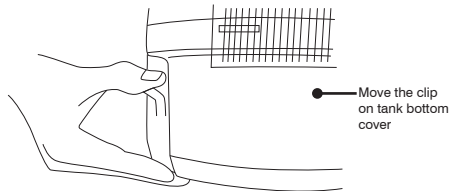


(Fig. 5)



3. Remove the HEPA filter as shown in Fig. 7 and 8.

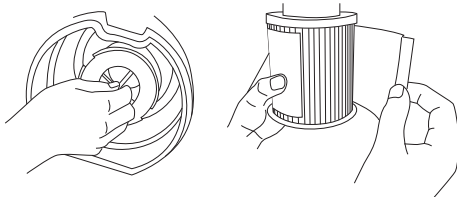
(Fig. 6)



4. When cleaning the HEPA filter, use a gentle bristle brush to remove fine dust particles.

(Fig. 7)

(Fig. 8)



5. Once HEPA filter cleaning is complete, insert HEPA filter back into designated area by turning clockwise until filter locks into place.
6. Insert compartment back into appliance until compartment "clicks" into place. Attach hose to appliance and switch on cleaner to ensure that cleaner is working correctly.

**Caution:**

Do not be alarmed if over time the HEPA filter changes colour. This is normal and will not have an effect on the operation of the appliance. Should cleaning of the filter not be successful, rinse the filter in water. Once complete, allow the filter to dry naturally for 24 hours.

**Key points:**

Please note that the appliance is able to operate without the HEPA filter and bagless dust compartment, but it is not advised as this can cause the appliance to malfunction. Before using this appliance, always ensure that all compartments and ac-

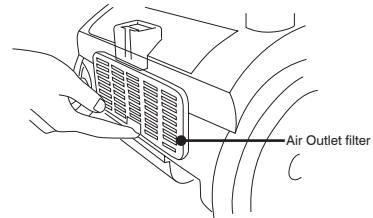
cessories are inserted and attached correctly.

**Caution:**

The motor filter is installed behind the air outlet grid, open up the air outlet grid and it may be taken out;

To remove the motor outlet filter, remove the rear grid (as shown in Fig. 9). To replace the filter of the motor outlet filter, insert filter into designated area followed by inserting the grid into place by clicking the clips into the slots.

(Fig. 9)



**How to replace and clear the air outlet filter:**

The air outlet filter should be cleaned or replaced every 6-12 months of use. Please ensure to correctly replace all filters before switching on the appliance.

1. Ensure the appliance is switched off and that the plug is removed from the socket.
2. Open the air outlet grid.
3. Remove the filter for cleaning. Also remove any excess dust which is lying in the air outlet vent.
4. Replace the filter and insert air outlet grid into place until grid "clicks" into slot.

**Replace the motor filter:**

In order to ensure the best air outlet effect, sometimes you need to clear the air outlet filter.

1. Take off the air outlet grid and take out the filter.
2. Clear the air outlet filter or replace it with a new filter.





## creative housewares

27 Nourse Avenue Epping 2 Cape Town  
PO. Box 975 Eppindust 7475 South Africa  
Tel: +27 21 534 8114 Fax: +27 21 534 8086  
Service Centre Share Call: 086 111 5006  
web: [www.creativehousewares.co.za](http://www.creativehousewares.co.za)



## Free Manuals Download Website

<http://myh66.com>

<http://usermanuals.us>

<http://www.somanuals.com>

<http://www.4manuals.cc>

<http://www.manual-lib.com>

<http://www.404manual.com>

<http://www.luxmanual.com>

<http://aubethermostatmanual.com>

Golf course search by state

<http://golfingnear.com>

Email search by domain

<http://emailbydomain.com>

Auto manuals search

<http://auto.somanuals.com>

TV manuals search

<http://tv.somanuals.com>