

Operating instructions

Heat pump dryer



To avoid the risk of accidents or damage to the appliance it is **essential** to read these instructions before it is installed and used for the first time.

Caring for the environment

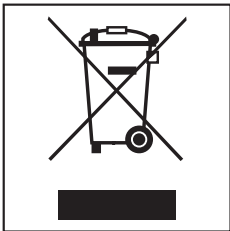
Disposal of the packing material

The packaging is designed to protect the appliance from damage during transportation. The packaging materials used are selected from materials which are environmentally friendly for disposal and should be recycled.

Recycling the packaging reduces the use of raw materials in the manufacturing process and also reduces the amount of waste in landfill sites.

Disposal of your old appliance

Electrical and electronic appliances often contain valuable materials. They also contain materials which, if handled or disposed of incorrectly, could be potentially hazardous to human health and to the environment. They are, however, essential for the correct functioning of your appliance. Please do not therefore dispose of it with your household waste.



Please dispose of it at your local community waste collection / recycling centre.

Ensure that it presents no danger to children while being stored for disposal.

Energy saving tips

To avoid unnecessarily long drying times and high consumption of energy:

- Make sure that your laundry is thoroughly spun before drying. The higher the spin, the greater the savings that can be made in energy and time during drying.
- Load according to the optimum amount of laundry recommended for the programme being used. Underloading is uneconomical. Overloading gives a poorer quality of drying and may cause unnecessary creasing.
- Make sure the room temperature is not too high. If there are other heat producing appliances in the room in which the dryer is located, make sure the room is well ventilated and switch the other appliances off, if possible.
- Clean the fluff filters in the door opening after every drying cycle.

Caring for the environment	2
Warning and Safety instructions	6
Operating the tumble dryer	18
Control panel.....	18
Display	19
Before using for the first time	20
1. Notes on correct laundry care	21
Points to note regarding washed laundry	21
Preparing the laundry before drying	21
Garment care label symbols	22
Laundry care when drying in a tumble dryer	22
2. Load the tumble dryer	23
3. Select a programme and start it	24
Select a programme.....	24
Select any options or delay start (if required)	26
Start the programme.....	26
4. Remove the laundry	27
End of programme/Anti-crease.....	27
Remove the laundry	27
Options	28
Gentle tumble.....	28
Anti-crease.....	28
Buzzer	28
Delay start	29
Programme chart	30
Changing the programme sequence	33
Cleaning and care	34
Emptying the condensed water container	34
Fluff filters	35
Removing visible fluff.....	35
Cleaning the fluff filters and air flow openings thoroughly.....	36
Plinth filter	37
Removing the plinth filter	37
Cleaning the plinth filter	37

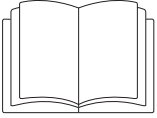
Contents

Cleaning the plinth filter panel	38
Checking the condenser unit	38
Replacing the plinth filter	39
Fragrance flacon	41
Inserting a fragrance flacon	41
Replacing the fragrance flacon	43
Problem solving guide	45
Check indicators and fault messages	45
Unsatisfactory drying results	47
Other problems	48
Bottom right grille	50
After sales service	51
Repairs	51
Optional accessories	51
Guarantee: U.K.	51
Guarantee: Other countries	51
Installation and connection	52
Front view	52
Rear view	53
Transporting the dryer	53
Installation	54
Levelling the dryer	54
Ventilation	54
Before moving the tumble dryer again (e.g. when moving house)	54
Additional installation requirements	55
External condensed water outlet	56
Installation conditions requiring a non-return valve	56
Arranging the drain hose	57
Examples	58
Electrical connection U.K.	60
Consumption data	61
Technical data	62
Programmable functions	64
Programming	64
Example	66
<i>PQ1</i> Cottons programme - drier or damper	67
<i>PQ2</i> Minimum iron programme - drier or damper	67

Contents

<i>P04</i> Extended cool down.....	67
<i>P05</i> Buzzer volume	67
<i>P06</i> Keypad tone.....	67
<i>P07</i> Code.....	68
<i>P08</i> Conductivity.....	68
<i>P09</i> Additional drying levels.....	69
<i>P11</i> Standby	70
<i>P12</i> Automatic switch-off.....	71
<i>P13</i> Memory	71
<i>P14</i> Anti-crease.....	71

Warning and Safety instructions



- ▶ It is essential to read these instructions.

This tumble dryer complies with current safety requirements. Inappropriate use can, however, lead to personal injury and damage to property.

To avoid the risk of accidents and damage to the tumble dryer, please read these instructions carefully before using it for the first time. They contain important information on its safety, installation, use and maintenance.

Keep these instructions in a safe place and ensure that new users are familiar with the content. Pass them on to any future owner.

Correct application

- ▶ This tumble dryer is intended for use in domestic households and similar working and residential environments.
- ▶ This tumble dryer is not intended for outdoor use.
- ▶ It must be used only as a domestic appliance to dry items which have been washed in a water solution and which are marked on the manufacturer's care label as being suitable for tumble drying. If using dry cleaning kits, do so at your own risk, and follow the instructions provided on the packaging.
Any other applications may be dangerous. Miele cannot be held liable for damage resulting from incorrect or improper use or operation.

Warning and Safety instructions

▶ This tumble dryer can only be used by people with reduced physical, sensory or mental capabilities, or lack of experience or knowledge, if they are supervised whilst using it or have been shown how to use it in a safe way and understand and recognise the consequences of incorrect operation.

Safety with children

▶ Children under 8 years of age must be kept away from the tumble dryer unless they are constantly supervised.

▶ Children 8 years and older may only use the tumble dryer unsupervised if they have been shown how to use it safely and recognise and understand the consequences of incorrect operation.

▶ Children must not be allowed to clean or maintain the tumble dryer unsupervised.

▶ Please supervise children in the vicinity of the tumble dryer and do not let them play with it.

Warning and Safety instructions

Technical safety

- ▶ Before setting up the tumble dryer, check it for any externally visible damage.
Do not install or use a damaged tumble dryer.
- ▶ Before connecting the tumble dryer, ensure that the connection data on the data plate (fuse rating, voltage and frequency) match the mains electricity supply. If in any doubt, consult a qualified electrician.
- ▶ Reliable and safe operation of this tumble dryer can only be assured if it has been connected to the mains electricity supply.
- ▶ The electrical safety of this tumble dryer can only be guaranteed when correctly earthed. It is essential that this standard safety requirement is met. If in any doubt, please have the household wiring system tested by a qualified electrician. Miele cannot be held liable for the consequences of an inadequate earthing system (e.g. electric shock).
- ▶ Do not connect the appliance to the mains electricity supply by an extension lead, multi-socket adapter or similar. These can overheat and are a fire hazard.
- ▶ If the electrical connection cable is faulty it must only be replaced by a Miele authorised service technician to protect the user from danger.
- ▶ Unauthorised repairs could result in unforeseen dangers for the user, for which Miele cannot accept liability. Repairs should only be undertaken by a Miele approved service technician, otherwise any subsequent damage will not be covered by the guarantee.
- ▶ Faulty components must only be replaced by genuine Miele original spare parts. The manufacturer can only guarantee the safety of the appliance when Miele replacement parts are used.
- ▶ The tumble dryer must be isolated from the electricity supply in the event of a fault and during cleaning and maintenance.

Warning and Safety instructions

- ▶ This tumble dryer must not be used in a non-stationary location (e.g. on a ship).
- ▶ Do not make any alterations to the tumble dryer, unless authorised to do so by Miele.

Warning and Safety instructions

► Heat pump technology and refrigerant:

The heat pump in this tumble dryer uses a refrigerant which is condensed by the compressor and led in a closed circuit through the heat exchanger unit where heat exchange with the circulating drying air takes place.

- The humming noises caused by the heat pump are normal and do not impair the efficient functioning of the dryer.
- The refrigerant is not flammable or explosive.
- In general it is not necessary to leave the dryer standing for any length of time before it is connected to the mains provided it has been transported and installed correctly (see "Installation and connection").
If it has not been transported as described, ensure that the recommended standing time prior to first operation is observed. Otherwise the heat pump can be damaged.
- This tumble dryer contains fluorinated greenhouse gases. They are hermetically sealed.
Designation: R 134a

Warning and Safety instructions

- ▶ Please observe the instructions in "Installation and connection" and the "Technical data".
- ▶ The accessibility of the plug must always be ensured, in order to disconnect the tumble dryer from the mains.
- ▶ Do not block the gap between the bottom of the tumble dryer and the floor with plinth facings, deep pile carpet etc. This would hinder a sufficient flow of air to the dryer.
- ▶ Make sure the dryer door can be opened without hindrance after installation.

Correct use

- ▶ The maximum load for this tumble dryer is 8.0 kg (dry weight). The maximum recommended loads for individual programmes are given in the Programme chart.
- ▶ To prevent the risk of fire, do not connect the tumble dryer via a controllable socket (e.g. a timer or a peak-load switch-off device). If the drying programme is interrupted before the end of the cooling down phase, this could cause the laundry to self-ignite.

Warning and Safety instructions

- To prevent the risk of fire, the following textiles must not be dried in this tumble dryer:
- Items which have not been washed.
 - Items, such as workwear, which have not been thoroughly cleaned and which are still soiled with grease, oil or other deposits (such as cosmetics, lotions etc). If items have not been thoroughly cleaned there is a danger that these might ignite when heated, even after they have been removed from the dryer at the end of the programme.
 - Items (e.g. mops and floor cloths) which have been treated with inflammable cleaning agents or which contain residues of acetone, alcohol, benzene, petrol, kerosene, stain remover, turpentine, wax and wax remover or other chemicals.
 - Items which have been splashed with hair lacquer, hair spray, nail varnish remover or similar substances.

When washing such heavily soiled items ensure that you use sufficient detergent and select a high temperature. If in doubt, wash the items several times.

Warning and Safety instructions

- ▶ Remove all items from pockets (e.g. lighters, matches).
- ▶ **Warning:** Do not switch the dryer off before the drying programme has finished. If this is done, the laundry must be hung up or spread out to cool it down.
- ▶ Fabric conditioner and similar products must be used according to the instructions on the manufacturer's packaging.
- ▶ To prevent the risk of fire, the following textiles must not be dried in this tumble dryer:
 - Items which have been cleaned using chemicals (e.g. professional dry-cleaning agents).
 - Items which contain a large proportion of rubber, foam rubber or rubber-like materials. For example, products made from latex foam rubber, shower caps, waterproof textiles, rubberised articles and items of clothing and pillows with foam rubber filling.
 - Damaged items which contain padding or fillings (e.g. pillows, jackets). When damaged, the filling can get out with the risk of it igniting in the dryer.

Warning and Safety instructions

▶ In many programmes, the heating phase is followed by a cooling down phase to ensure that the items are not too hot to handle when you remove them (this also avoids the danger of the laundry self-igniting). The programme is not finished until the cooling down phase has been completed.

As soon as the programme has finished, remove all laundry from the drum.

▶ Do not let anyone sit or lean on the door, as this can cause the tumble dryer to tip up.

▶ Always close the door after use. This way you will avoid the danger of:

- Children climbing onto or into the dryer or hiding things in it.
- Pets or other small animals climbing into it.

▶ The tumble dryer must not be used without fluff filters or

- with damaged fluff filters, or
- with a damaged plinth filter.

This would cause an excessive build-up of fluff which in turn would cause a fault.

▶ The fluff filters must be cleaned after every drying cycle.

▶ The fluff filters and the plinth filter must be thoroughly dried after cleaning. Do not replace them if they are damp or wet. Damp or wet filters could cause operational faults.

▶ Do not install the tumble dryer in a room where there is a risk of frost occurring. At temperatures around freezing point the tumble dryer may not be able to operate properly. There is a risk of damage if the condensed water is allowed to freeze in the pump and hoses.

▶ If the water is drained externally through the drain hose instead of being collected in the condensed water container, make sure the drain hose is securely attached if you hang it in a sink or basin to avoid the hose slipping and the water causing damage.

Warning and Safety instructions

- ▶ Condensed water is not drinking water. It can cause health problems in both people and animals if consumed.
- ▶ Always keep the area around the tumble dryer free of dust and fluff. Dust drawn into the tumble dryer can cause blockages in the heat exchanger over time.
- ▶ The tumble dryer must not be hosed down.


Warning and Safety instructions

Using a fragrance flacon (optional accessory)

- ▶ Only use genuine Miele original fragrance flacons.
- ▶ The fragrance flacon must be stored in its packaging so please make sure you retain this.
- ▶ Caution. The fragrance can leak out of the flacon. Make sure that you always keep the flacon, or the fluff filter with the flacon inserted in it, in a horizontal position when carrying and do not tip or place down on any surface.
- ▶ Use an absorbent cloth to wipe up any fragrance which has leaked out of the flacon onto the floor, the dryer or any dryer components (e.g. the fluff filter) immediately.
- ▶ If fragrance which has leaked out of a flacon: comes into contact with the **skin** - wash the skin thoroughly with soap and water; comes in contact with the **eyes** - rinse the eyes with clean water for at least 15 minutes; is swallowed - rinse out the **mouth** thoroughly with clean water. Seek medical advice in the case of contact with the eyes or if fragrance has been swallowed.
- ▶ If fragrance which has leaked out of a flacon comes in contact with clothing, change the clothing immediately. Wash the clothing or any cloths used for mopping up fragrance thoroughly with plenty of water and detergent.
- ▶ There is the risk of fire or damage to the tumble dryer if the following instructions are not observed:
 - Never refill a flacon with fragrance.
 - Never use a faulty fragrance flacon.
- ▶ Dispose of an empty fragrance flacon with the household waste and never use it for any other purpose.
- ▶ Please also observe the information supplied with the fragrance flacon.

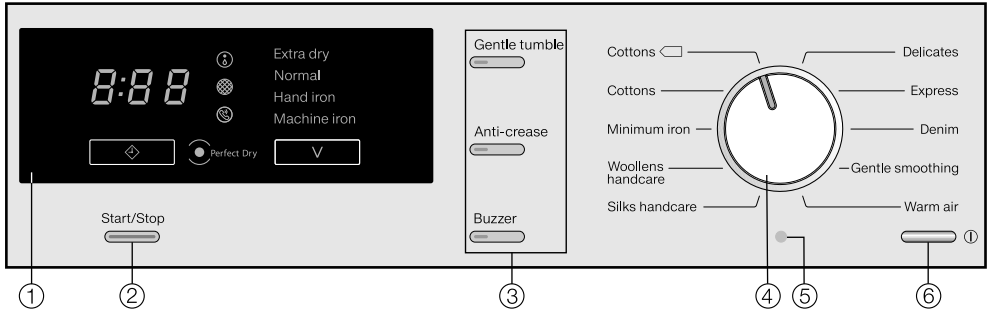
Accessories

- ▶ Only use genuine Miele original spare parts and accessories with this appliance. If non-Miele parts are used, guarantee, performance and product liability claims will be invalidated.
- ▶ The tumble dryer can be combined with a Miele washing machine in a washer-dryer stack. The appropriate "WTV" stacking kit (available to order) to match your tumble dryer and washing machine is required.
- ▶ If you order a plinth for this tumble dryer (available from Miele as an optional accessory - depending on country), make sure it is the correct one.

 Miele cannot be held liable for damage caused by non-compliance with these Warning and Safety instructions.

Operating the tumble dryer

Control panel



① **Display with  and  sensors**

See the following page for more information.

② **Start/Stop button**

For starting the programme selected and cancelling a programme once it has started.

③ **Option buttons**

Various options can be added to the programmes.

④ **Programme selector**

For selecting the programme.

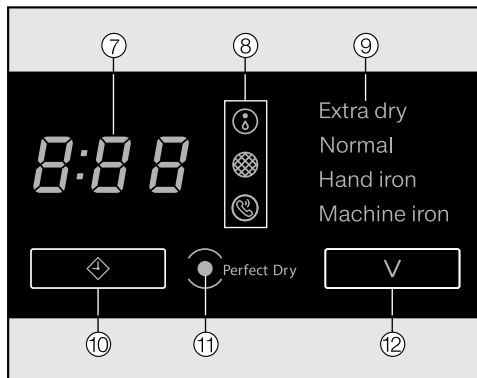
⑤ **Optical interface**

For service technicians.

⑥ ** button**

The tumble dryer is switched on and off by pressing this button. To save energy, the dryer will switch off automatically 15 minutes after the end of the programme/anti-crease phase or after being switched on if no other selection is made.

Display



⑦ Time display

The programme duration remaining will be displayed in hours : minutes. The duration displayed for the *Cottons*, *Minimum iron*, *Delicates*, *Express*, *Denim*, *Gentle smoothing* programmes may vary or "jump". The following factors, among others, affect the programme duration displayed: the quantity of laundry, the type of fabric and the residual moisture in the laundry. The electronics continually assess conditions in the appliance and then adjust the programme duration with increasing accuracy.

⑧ Check/fault indicators

These are only visible when necessary.

① ...

... empty the condensed water container or check the drain hose

② ...

... clean the plinth filter/airways

③ ...

... technical fault, call the Service Department

⑨ Drying level display

For selecting the drying level for programmes with a selectable drying level. See "⑫ √ sensor".

⑩ ⬠ sensor

This sensor has two functions.

Touching the symbol will . . .

. . . select a later start time for the programme (delay start). ⬠ will

flash during selection, ⬠ will light up constantly when the delay start time is counting down.

. . . select the duration of the *Warm air* programme. ⬠ will flash during selection.

⑪ Perfect Dry indicator

With programmes with a selectable drying level, the Perfect Dry system calculates the residual moisture present in the laundry to ensure a precise drying result.

The *Perfect Dry* indicator . . .

. . . will flash after the programme has started and go out when the programme duration appears in the display.

. . . will light up again when the selected drying level is reached and remain on until the end of the programme.

. . . will remain dark with the following programmes: *Woollens handcare*, *Silks handcare*, *Warm air*.


⑫ √ sensor

Touching this symbol will select the drying level required which will then light up ⑨.


Before using for the first time

Removing the protective foil and stickers

- Remove
 - the protective foil from the door.
 - any stickers from the front and the lid.

 Please do not remove any labels (e.g. the data plate), visible when you open the door.

After installing the dryer

 Before using the tumble dryer for the first time, ensure that it is installed and connected to the electricity supply correctly. If it has not been transported as described in "Installation and connection" then it must be left to stand for at least 1 hour before it is connected to the electricity supply.

Follow the procedure for using for the first time outlined in these instructions.


- Read "1. Notes on correct laundry care" and "2. Load the tumble dryer".
- You can then load the dryer and select a programme as described in "3. Select a programme and start it".


1. Notes on correct laundry care

Points to note regarding washed laundry

- When washing very heavily soiled items ensure that you use sufficient detergent and select a high temperature. If in doubt, wash the items several times.
- Do not put soaking wet items into the tumble dryer. Make sure your laundry is thoroughly spun before drying. The higher the spin speed, the greater the savings that can be made in energy and time during drying.
- New dark coloured garments should be washed and dried separately from light coloured garments to avoid the danger of colours running and discolouring other garments or even plastic components in the dryer. Dark coloured fibres can also settle on light coloured garments and vice versa.
- Starched laundry can be dried in the tumble dryer. To achieve the usual finish, double the amount of starch should be used.

Preparing the laundry before drying








 Make sure that any objects, e.g. detergent dosing balls, lighters etc. have been removed from the laundry. They could melt or explode and cause damage to the dryer or the laundry.

 See "Warning and Safety" instructions for further information. Loading or using the tumble dryer incorrectly could cause a fire.

- Sort the laundry according to the type of fibre and weave, size, garment care label symbol and the drying level required.
- Check the seams of padded or down-filled items to prevent the risk of fillings coming out. These could catch fire when being dried.
- Disentangle the laundry.
- Tie together textile belts and ties.
- Fasten . . .
. . . duvet covers and pillow cases to prevent small items from being trapped inside them.
. . . hooks and eyes.
- Sew in or remove underwiring from bras.
- Leave jackets open and undo any long zips so that textiles dry evenly.
- Minimum iron fabrics tend to crease more, the greater the load. This is also the case for garments made from very fine weave fabric, such as shirts or blouses. If necessary, reduce the size of the load for these types of fabric.

1. Notes on correct laundry care

Garment care label symbols

Drying	
	Normal/higher temperature
	Reduced temperature: Select <i>Gentle tumble</i> (for delicate textiles)
	Do not tumble dry
Ironing	
	Very hot
	Hot
	Warm
	Do not iron

Laundry care when drying in a tumble dryer

See the "Programme chart".
This describes the programmes and gives their maximum load.

- Load according to the optimum amount of laundry recommended for the programme being used. Underloading is uneconomical. Overloading gives a poorer quality of drying and may cause unnecessary creasing.
- Select an appropriate drying level, e.g. . . .
. . . *Normal* if you want to fold and put away the laundry after you take it out of the dryer.
. . . *Machine iron* if the laundry, e.g. table linen, requires further processing after drying.
- Down-filled garments have linings which have a tendency to shrink, depending on the quality of the item. They can be partially dried using the *Gentle smoothing* programme.
- Pure linen should only be machine dried if specified as suitable by the manufacturer on the care label, as the surface of the fabric may otherwise become rough. They can be partially dried using the *Gentle smoothing* programme.
- Woollens and wool blends tend to become matted and shrink if dried in a tumble dryer. They can, however, be "fluffed up" in the *Woollens handcare* programme.
- Loopknit garments (e.g. T-shirts and underwear) tend to shrink depending on their quality. Do not over-dry these textiles. When purchasing these garments it is advisable to take their shrinkage properties into account.
- Select the *Gentle tumble* option for fabric which is particularly heat-sensitive or susceptible to creasing.

2. Load the tumble dryer

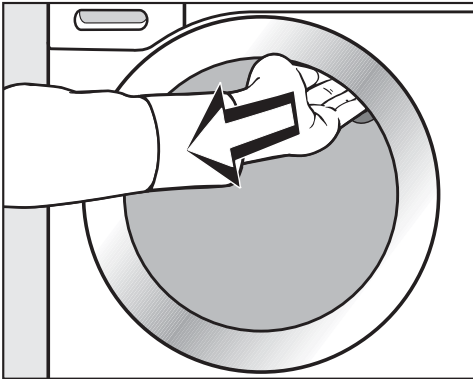
⚠ It is essential to read "1. Notes on correct laundry care" first of all.

- Press the ① button to switch the dryer on.

The interior drum lighting will come on.

The interior drum lighting will automatically go out after a few minutes and/or after the start of a programme to save energy.

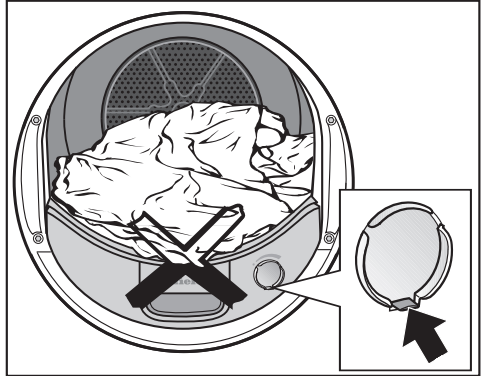
Open the door



- Reach under the door grip and pull the door open.
- Unfold the laundry and load loosely into the drum.

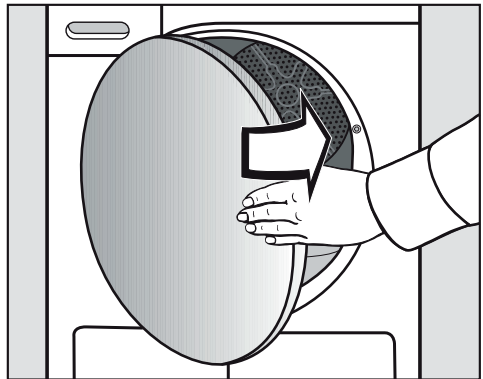
Do not overload the drum. Overloading can cause unnecessary wear and tear to the laundry, give a disappointing drying result and cause more creasing.

When closing the door make sure that laundry does not get trapped in the door opening. This could damage the laundry.



If you are not using a fragrance flacon: the tab must be pushed down completely (see arrow).

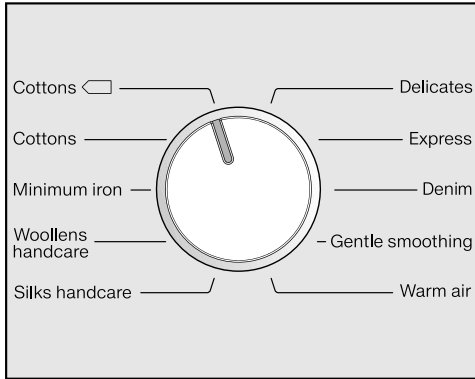
Close the door



- Shut the door with a gentle swing.

3. Select a programme and start it

Select a programme



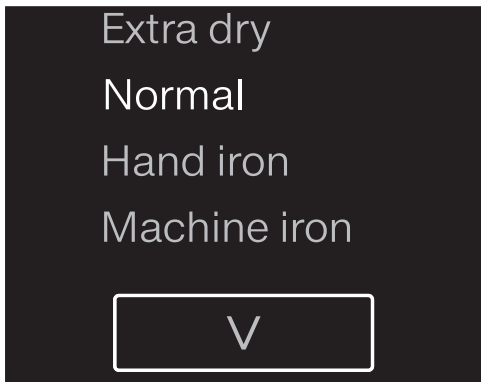
■ Turn the programme selector.

A drying level or option buttons may also light up and durations will appear in the time display.

Programmes with drying levels

- **Cottons, Minimum iron, Delicates, Express, Denim, Gentle smoothing**

The drying level can be altered after selecting one of these programmes.



■ Touch the ∇ sensor to select the drying level required.

Any drying level can be selected for the *Cottons* and *Express* programmes. A more limited range is available when using the other programmes.

Additional drying levels

Tip: Using the programmable functions you can activate/deactivate additional drying levels.

if 2 drying levels are lit up	then the following additional drying level is selected
<i>Extra dry</i> <i>Normal</i>	Normal+ = drier than <i>Normal</i>
<i>Normal</i> <i>Hand iron</i>	Slightly dry = damper than <i>Normal</i>
<i>Hand iron</i> <i>Machine iron</i>	Hand iron ∞ = damper than <i>Hand iron</i>

- Please see "Programmable functions - P09 Additional drying levels".

3. Select a programme and start it

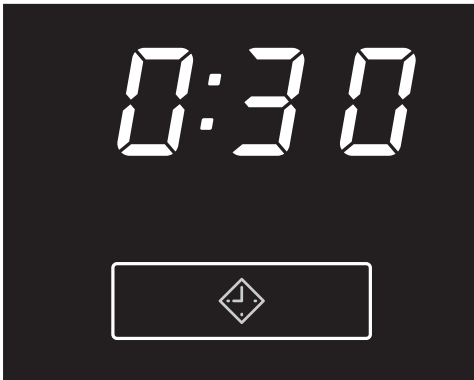
Other programmes and the timed drying programmes


- **Cottons** , **Woollens handcare**, **Silks handcare**

The drying level is preset and cannot be altered.

- **Warm air**

You can select the duration in ten-minute stages.



- Touch the  sensor repeatedly until the programme duration you want appears in the time display.

-  will flash

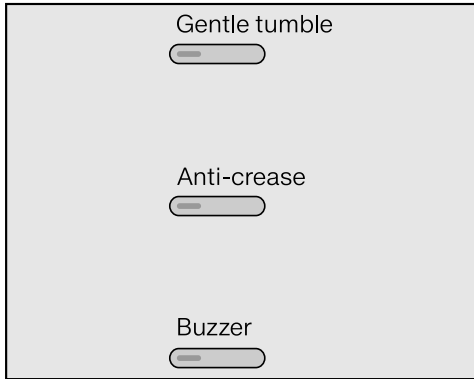
You can select the duration in ten-minute stages from *0:20* minutes up to *2:00* hours.

3. Select a programme and start it

Select any options or delay start (if required)

Please see "Options" for further information.

To select options



- Press a button.

The button will light up when the option is selected.

Delay start

You can delay the start of the programme.

However: delay start cannot be used with the *Warm air* programme.



- Touch the  sensor.

–  will flash

Please see "Delay start" for more information.

Start the programme

- Press the flashing *Start/Stop* button.

The *Start/Stop* button will now light up constantly.

The *Perfect Dry* indicator will only flash/light up with programmes with selectable drying levels (see also "Operating the tumble dryer").

The laundry will be cooled down shortly before the end of the programme.

4. Remove the laundry

End of programme/Anti-crease

At the end of the programme: 0:00 will light up in the display and the *Start/Stop* button will go out. The anti-crease function, if selected, will then switch on for a maximum of 2 hours.

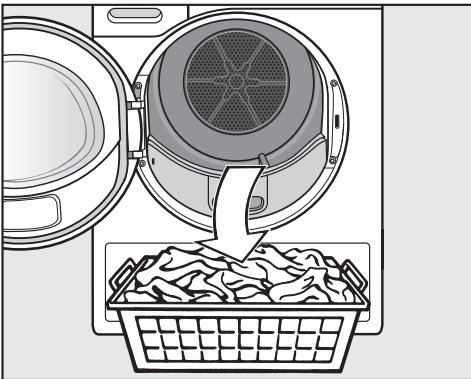
10 minutes after the end of the programme the *Start/Stop* button will begin to flash slowly and the display will go out: this is Standby mode to save energy.

The dryer will switch off automatically 15 minutes after the end of the anti-crease phase (with programmes without an anti-crease phase it will switch off 15 minutes after the end of the programme).

Remove the laundry

⚠ Never open the door before the drying process has finished.

- Reach under the door grip and pull the door open.



- Remove the laundry.

Check that all items have been removed from the drum.

If items are left in the dryer, they could be damaged by overdrying when the dryer is next used.

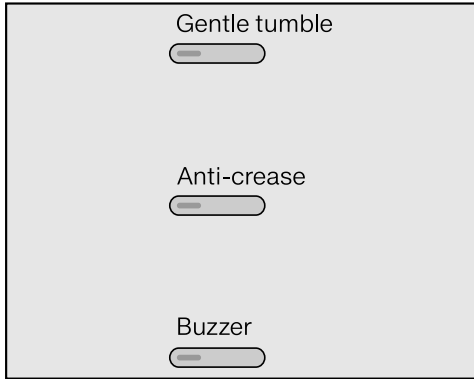
If the dryer is switched on at the mains and the door is opened, the drum lighting will come on. It will go out a few minutes later to save energy.

- If the dryer is still switched on, switch it off with the Ⓜ button.

A buzzer will sound.

- Remove the fluff from the 2 fluff filters in the door opening: see "Cleaning and care - Fluff filters".
- Shut the door with a gentle swing.
- Empty the condensed water container.


Options



The options are switched on or off by pressing the appropriate button.

The button will light up when the option is selected.

Gentle tumble

Delicate fabric (with the  symbol on the care label, e.g. acrylic garments) is dried at a lower temperature. The programme duration is longer.


Anti-crease

Depending on the programme selected, the drum will continue to rotate in a special rhythm for up to 2 hours at the end of the programme, to reduce creasing, if you do not wish to remove the laundry immediately.

Buzzer

A buzzer (four beeps at intervals for a maximum of 1 hour) will sound to let you know that the programme has finished. The continuous buzzer which sounds when there is a fault is not dependent on the setting for the buzzer at the end of the programme.

Selectable options

	Gentle tumble		
		Anti-crease	
			Buzzer
Cottons 	-	X	X
Cottons	X	X	X
Minimum iron	X	X	X
Woollens handcare	-	-	X
Silks handcare	-	X	X
Delicates	O	X	X
Express	-	X	X
Denim	X	X	X
Gentle smoothing	O	X	X
Warm air	X	X	X

X = Can be selected

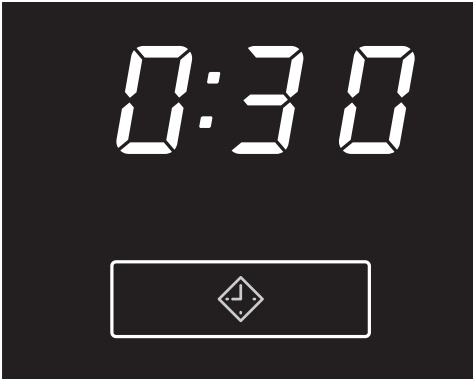
O = Cannot be changed/always active




- = Cannot be selected

To select delay start


With delay start you can delay the start of the programme by up to a maximum of 24 hours.

However: delay start cannot be used with the *Warm air* programme.





- After selecting the programme touch the  sensor.
-  will flash
- Times of up to 10h are selected in 0:30 minute stages and then in hour stages up to 24h.
- If you touch the sensor continuously, the time will count up to 24h.
- Touching the 24h sensor again when  shows in the display will delete the time selected.

To begin delay start


- Press the *Start/Stop* button.
-  will light up
- Delay start times of more than 10h will count down in hours and then in minutes until the start of the programme.

- The drum will turn briefly every hour until the start of the programme to reduce creasing.

To change delay start after it has started counting down

- Press the *Start/Stop* button.
-  will flash
- Touch the  sensor to change the time.
- Press the *Start/Stop* button.

To add/remove laundry after delay start has started counting down

- You can open the door to add/remove laundry.
- All programme settings will be saved
-  will flash



You can also change the drying level, if required.

- Press the *Start/Stop* button so that the delay start time continues to count down.

To cancel delay start

- Switch the dryer off and then on again.

Programme chart


Cottons  **		Max. load 8.0 kg*
Use for	Cotton items such as those described under <i>Cottons Normal</i> with normal residual moisture.	
Note	<ul style="list-style-type: none"> – Items are dried to a <i>Normal</i> level only. – The <i>Cottons</i>  programme is the most energy-efficient for drying cotton items with normal residual moisture levels. 	
Cottons		Max. load 8.0 kg*
Extra dry, Normal		
Use for	Single and multi-layered cotton fabric such as towelling, jerseywear, T-shirts, underwear, workwear, covers, flannelette bed linen and baby clothes.	
Note	<ul style="list-style-type: none"> – Select <i>Extra dry</i> for multi-layered and very thick fabric. – Do not use <i>Extra dry</i> for jersey fabric (e.g. T-shirts, underwear), as they have a tendency to shrink. 	
Hand iron, Machine iron		
Use for	Cotton or linen fabric requiring further processing, e.g.: table linen, bed linen, starched laundry.	
Note	To prevent laundry from drying out it should be rolled up until you are ready for ironing.	
Minimum iron		Max. load 4.0 kg*
Normal, Hand iron		
Use for	Minimum iron items made of cotton, synthetic or mixed fibre, e.g.: workwear, tunics, tops, dresses, trousers, table linen and socks.	

* Weight of dry laundry

** Note for test institutes:

Test programme in accordance with Regulation 392/2012/EU for energy labelling, measured in accordance with EN 61121 (without any options selected)

Programme chart

Woollens handcare		Max. load 2.0 kg*
Use for	Woollen garments and fabric containing wool blends, e.g. pullovers, jackets and socks.	
Note	<ul style="list-style-type: none"> – Wool and wool blend items are only fluffed up; they are not dried completely. – Remove garments as soon as the programme has finished. 	
Silks handcare		Max. load 1.0 kg*
Use for	Silk garments which are suitable for drying in the tumble dryer, e.g. blouses and shirts	
Note	<ul style="list-style-type: none"> – This programme reduces creasing. Items are not dried completely by this programme. – Remove garments as soon as the programme has finished. 	
Delicates		Max. load 2.5 kg*
Normal, Hand iron		
Use for	Delicate items with the  symbol on the care label made of synthetic fibre, mixed fibre, rayon and easy care cotton, e.g. shirts, blouses, lingerie and appliqued garments.	
Note	Reducing the load will reduce creasing.	
Express		Max. load 4.0 kg*
Extra dry, Normal, Hand iron, Machine iron		
Use for	Garments suitable for the <i>Cottons</i> programme.	
Note	The programme duration is shorter.	
Denim		Max. load 3.0 kg*
Normal, Hand iron		
Use for	Denim garments, e.g. jeans, jackets, skirts, shirts	

* Weight of dry laundry

Programme chart

Gentle smoothing		Max. load 1.0 kg*
Normal, Hand iron		
Use for	<ul style="list-style-type: none"> – Cotton and linen fabric – Minimum iron items made of cotton, synthetic or mixed fibre, e.g. trousers, jackets, shirts. 	
Note	<ul style="list-style-type: none"> – Suitable for dry and damp laundry. – Select <i>Hand iron</i> if the items are to be ironed after drying. – Smooths out creasing caused during the spin cycle in the washing machine. – Remove garments as soon as the programme has finished. 	
Warm air		Max. load 8.0 kg*
Use for	<ul style="list-style-type: none"> – Multi-layered fabric whose layers have different drying characteristics, e.g. jackets, pillows, sleeping bags and other voluminous items. – Drying individual items, e.g. bath towels, swimwear and tea-towels. 	
Note	Do not select the longest drying time to start with. Check the items as you are drying them to find the optimum time.	
Tip	You can use the <i>Warm air</i> programme to help remove odours from clean cotton clothing (select a duration between 1/2 and 1 hour). To improve the freshening up effect, dampen the garments a little beforehand and use a fragrance flacon (optional accessory). Odours will not be removed as effectively from any parts of the garments which are made of synthetic fibre.	

* Weight of dry laundry

Changing the programme sequence

You cannot change to another programme once a programme has started (this prevents unintentional alterations).

If you move the programme selector, **-D-** will light up until you move the programme selector back to the original programme.

You will need to cancel the current programme before you can select a new one.

labelling="Section-Header">Cancelling a programme while it is running and selecting a new programme

- Press the *Start/Stop* button.

The items will be cooled down, depending on the temperature reached and how long they have been dried for. **D:00** will light up if you press the *Start/Stop* button again during this cooling down phase.

- Press the **ⓘ** button to switch the dryer off.
- Press the **ⓘ** button to switch the dryer on.
- Select and start a new programme straight away.

labelling="Section-Header">Adding or removing laundry after a programme has started

- Press the *Start/Stop* button.

The items will be cooled down, depending on the temperature reached and how long they have been dried for. **D:00** will light up if you press the *Start/Stop* button again during this cooling down phase.



Danger of burning.

Do not touch the back of the drum when adding or removing items. The drum and the items can be very hot.

- Add or remove items.
- Close the door.

To continue with the programme: (select a drying level first of all, if necessary)

- Press the *Start/Stop* button.

labelling="Section-Header">Programme duration


Altering the programme sequence can cause the programme duration shown in the time display to be adjusted.


Cleaning and care


Emptying the condensed water container

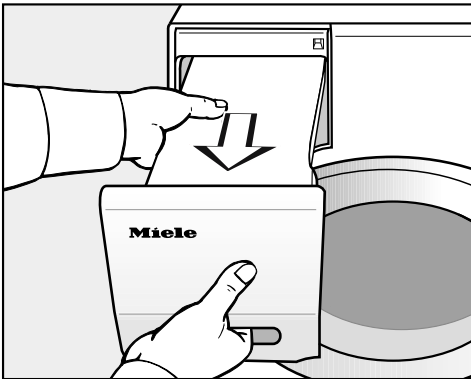
The condensed water is collected in the condensed water container.

Empty the condensed water container after every drying programme.

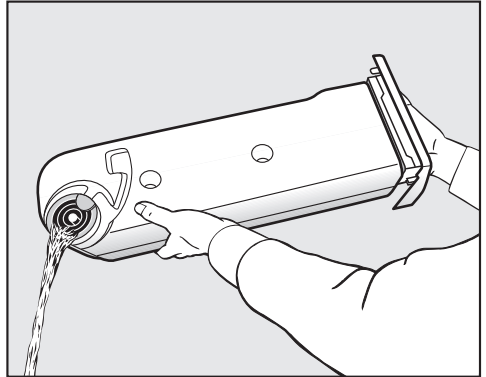
The  indicator will light up if the maximum level of the condensed water container is reached.

To delete the  indicator: open and close the door with the dryer switched on.


 To prevent damaging the door and the front of the condensed water container when pulling the container out of the dryer: always close the door completely.



- Pull out the condensed water container.
- To prevent water running out, hold it at the front and towards the back and keep it in a horizontal position when carrying it.



- Empty the container.
- Replace the container in the dryer.

 Condensed water should not be consumed. It could lead to health problems for people and animals.

Condensed water can be put to household use (e.g. used in a steam iron or humidifier). To ensure that any residual particles of fluff in the condensed water are removed before use, pass it through a fine sieve or paper filter first.

Fluff filters

This tumble dryer has 2 fluff filters in the door opening; the upper and lower fluff filters trap fluff produced during the drying process.

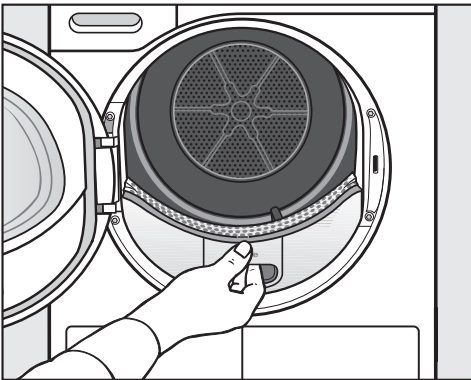
Removing visible fluff

Remove any fluff after every drying cycle.

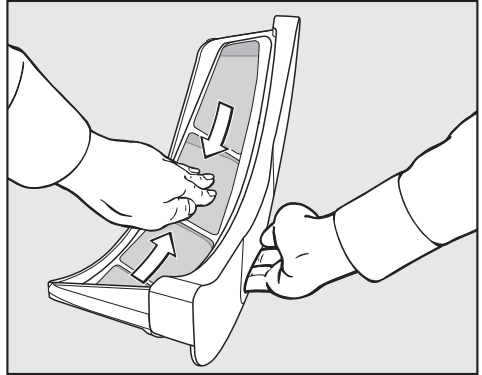
Tip: You can also use a vacuum cleaner so that you can remove the fluff without touching it.

- Open the door.

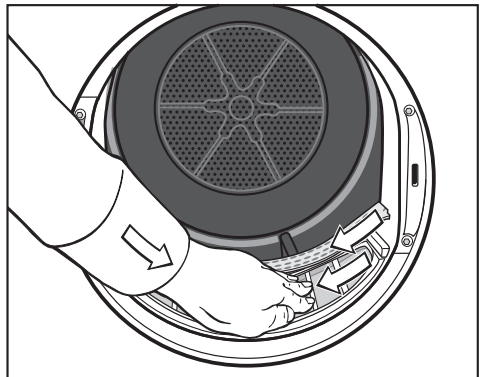
⚠ You must remove the fragrance flacon (if present) beforehand. See "Fragrance flacon".



- Pull the upper fluff filter forwards to remove it.



- Remove the fluff (see arrows) . . .



- . . . from the surfaces of all the fluff filters.
- . . . from the perforated laundry deflector.
- Push the upper fluff filter back into position until it clicks.
- Close the door.

If there is a great deal of compacted fluff carry out the following procedure.

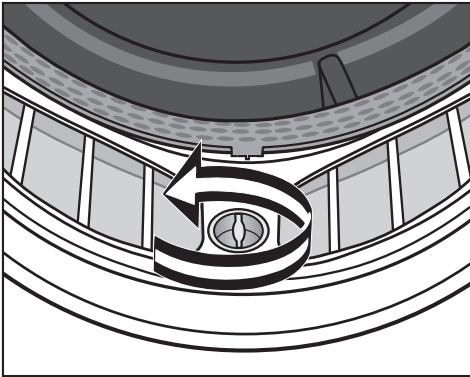
Cleaning and care

Cleaning the fluff filters and air flow openings thoroughly

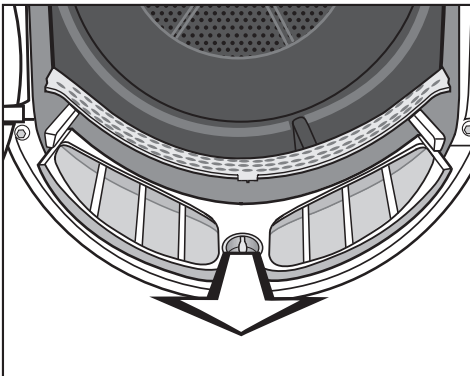
If the drying duration has become longer or the surface of the filters is visibly compacted with fluff, you should carry out the following cleaning procedure.

⚠ If using a fragrance flacon make sure you remove it beforehand.

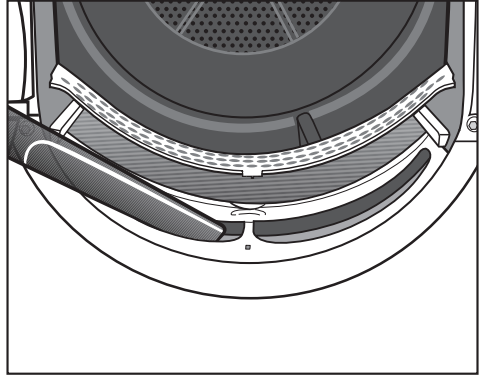
- Pull the upper fluff filter forwards to remove it.



- Turn the yellow dial on the lower fluff filter in the direction of the arrow (until you hear it click).



- Hold the dial and pull the fluff filter forwards to remove it.



- Use a vacuum cleaner with a long crevice nozzle attached to remove any visible fluff from the upper air flow openings.


Cleaning the fluff filters with water


- Flush the fluff filters through with hot running water.
- Shake the fluff filters thoroughly and then dry them carefully.

⚠ Ensure the filters are dry before replacing them. Wet filters could cause operational faults.

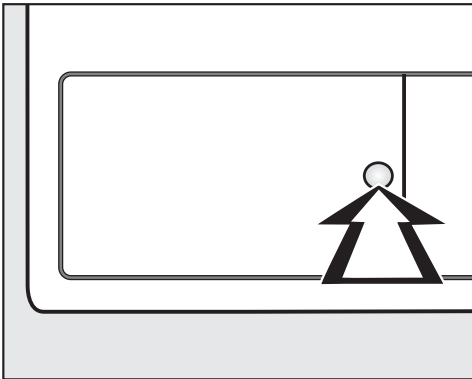
- Push the lower fluff filter in completely and lock it with the yellow dial.
- Push the upper fluff filter in completely.
- Close the door.

Plinth filter

Only clean the plinth filter when the  indicator lights up.

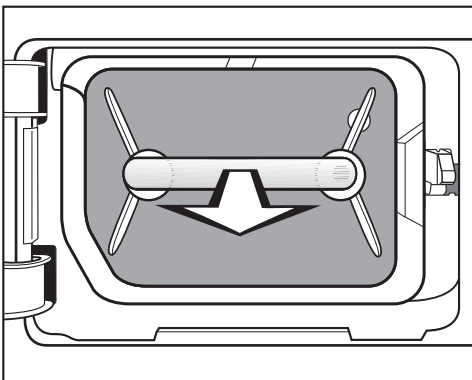
To delete the  indicator: open and close the door with the dryer switched on.

Removing the plinth filter



- Press the round, indented area on the heat exchanger access panel to open it.

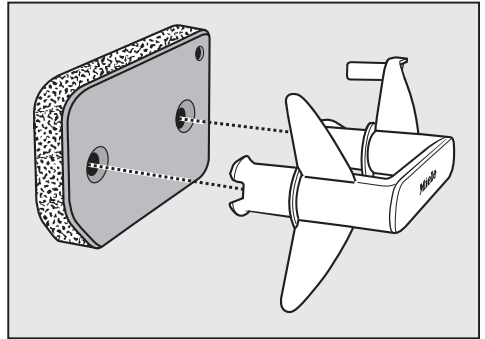
The panel will spring open.




- Pull the plinth filter out by the handle.

Removing the plinth filter will cause the right hand guide pin in the dryer to come out. This pin ensures that the heat exchanger access panel can only be closed if the plinth filter is inserted the right way round.

Cleaning the plinth filter



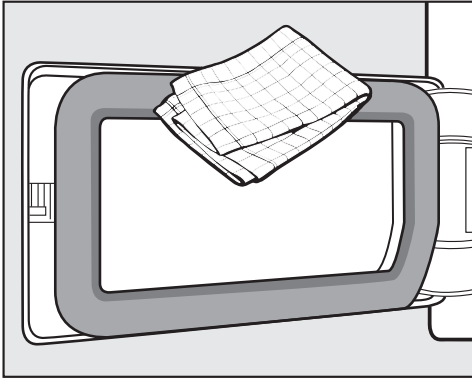
- Pull the handle out of the plinth filter.
- Clean the filter thoroughly under running water.
- Squeeze the plinth filter thoroughly.

 The plinth filter must not be replaced dripping wet as this can cause a fault.

- Use a damp cloth to remove any fluff from the handle.


Cleaning and care

Cleaning the plinth filter panel




- Use a damp cloth to remove any fluff. Make sure that you do not damage the rubber seal when doing this.
- Check whether the cooling fins are blocked with fluff (as follows).

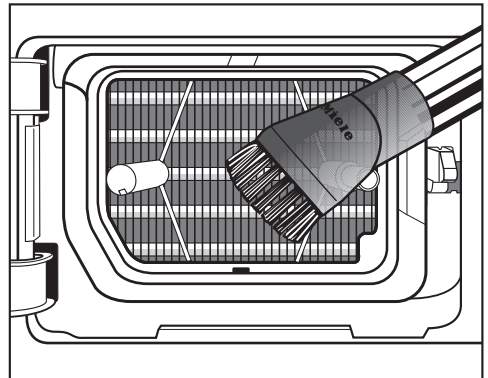
Checking the condenser unit

 Danger of injury. Do not touch the cooling fins. You could cut yourself.

- Look to see if fluff has accumulated.

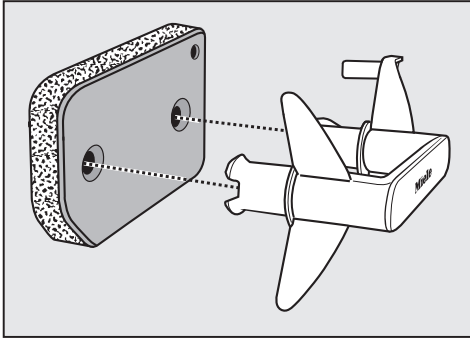
If there is visible soiling:

 Clean using a vacuum cleaner with a dusting brush attached. Carefully pass the vacuum cleaner brush over the heat exchanger cooling fins without applying any pressure. Otherwise the cooling fins could be bent out of shape or become damaged.



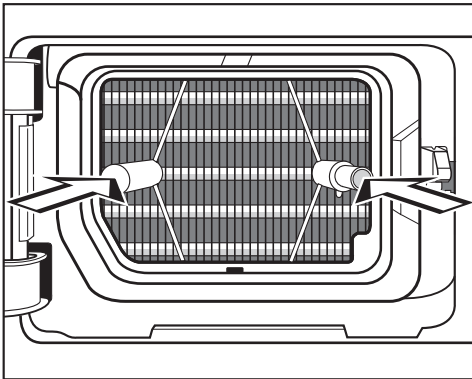
- Carefully vacuum up any visible fluff or soiling.

Replacing the plinth filter



- Fit the filter back on the handle. Make sure it is the correct way round.

To ensure that the filter is positioned correctly in the front of the heat exchanger unit:



- First insert the handle with the plinth filter attached over the two guide pins.
 - The word Miele on the handle must be the correct way up.
- Push the plinth filter in completely.

The act of pushing in the plinth filter will also push in the right hand guide pin.

- Close the heat exchanger access panel.

⚠ The dryer can only be operated with the plinth filter fitted correctly and the heat exchanger access panel closed. The access panel must be closed correctly to ensure that water cannot leak from the condenser system and to ensure that the dryer functions efficiently.

Cleaning and care

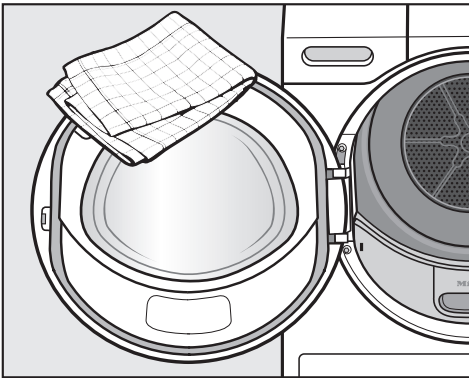
Tumble dryer

⚠ Disconnect the tumble dryer from the mains electricity supply.

⚠ Do not use solvents, abrasive cleaners, glass cleaners or all-purpose cleaners.

These could damage plastic surfaces and other parts.

- Clean the tumble dryer with a slightly damp cloth and a mild non-abrasive cleaning agent or a solution of washing-up liquid and water.



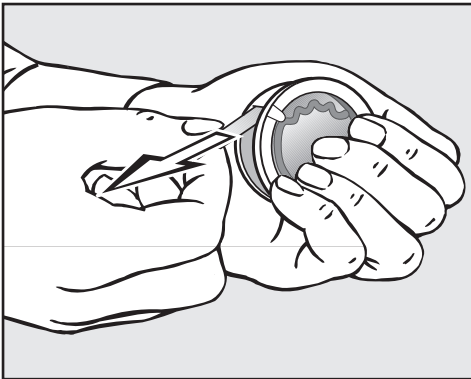
- Clean the seal around the inside of the door with a damp cloth.
- Dry all parts with a soft cloth.
- The drum and other stainless steel parts can be cleaned with a suitable proprietary stainless steel cleaner following the manufacturer's instructions.

Using a fragrance flacon (optional accessory) will add a pleasant fragrance to your laundry.

! Before using a fragrance flacon, please read "Warning and safety instructions - Using a fragrance flacon (optional accessory)".

Inserting a fragrance flacon

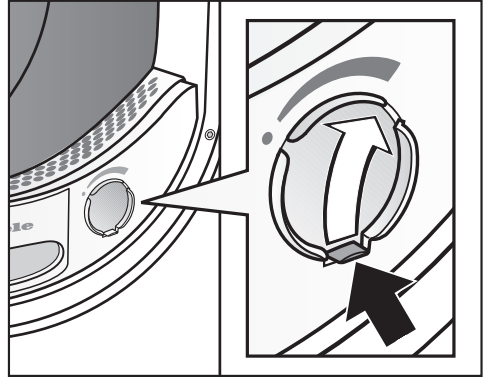
Only hold the fragrance flacon as illustrated. Do not hold it at an angle or tip it as the fragrance will leak out of the flacon.



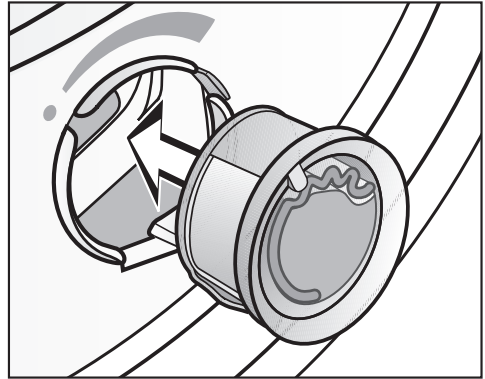
- Hold the flacon securely to prevent opening it by mistake.
- Pull off the protective seal.
- Open the door of the tumble dryer.

The fragrance flacon is inserted in the upper fluff filter in the opening on the right hand side beside the grip.

If you are not using a fragrance flacon: the cover must always remain closed (push the cover down completely with the tab).

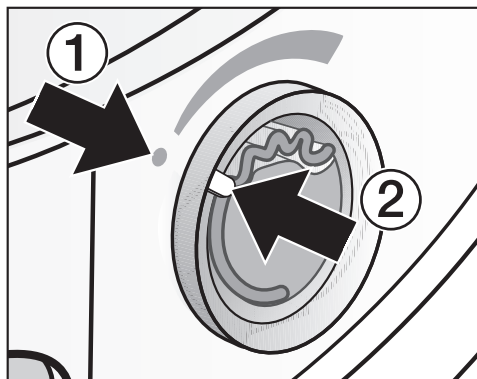


- Open the cover using the tab until the tab is at the top right hand side as shown.

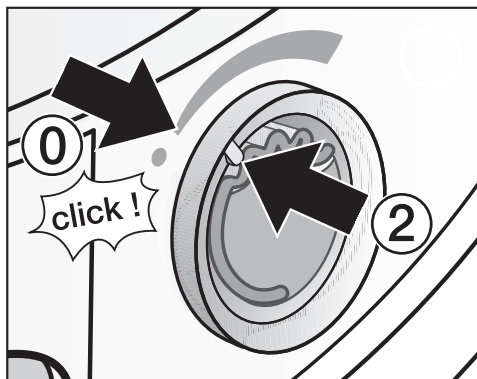


- Insert the flacon in the opening as far as it will go.

Fragrance flacon

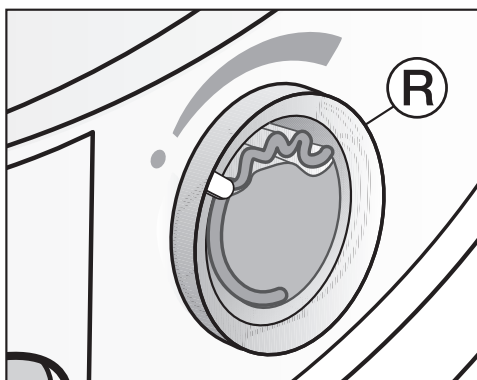


Markers ① and ② must line up with one another.

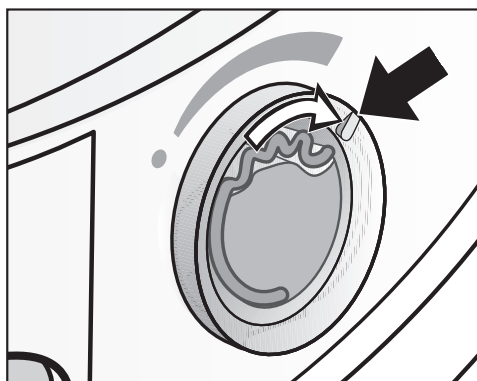


– You will feel a slight resistance and hear a soft click.

Marker ② must be in position ①: this is the position at which you can feel a resistance.



■ Turn the outer ring **®** clockwise a little.



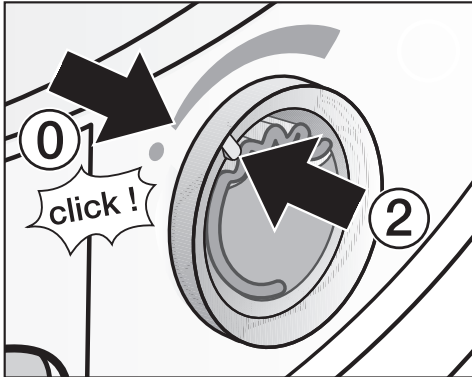
■ Turn the outer ring clockwise: the further you open the flacon, the more intense the fragrance.

Damp laundry and longer drying durations with sufficient heat transfer are needed for the fragrance to be

released into the laundry effectively. The fragrance will also be noticeable in the room air during the process.

After drying

To avoid the fragrance escaping needlessly:

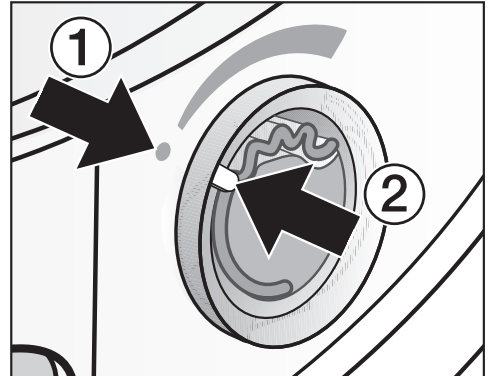


- Turn the outer ring anti-clockwise until marker ② is in position ①.
- You will feel a slight resistance.

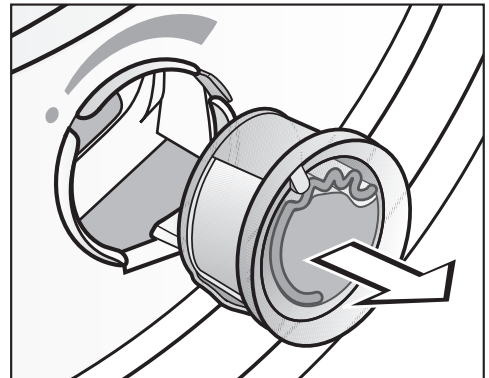
If you want to dry laundry without adding fragrance occasionally: remove the fragrance flacon and store it in its original packaging until you want to use it again. See the following section.

Replacing the fragrance flacon

When the fragrance is no longer sufficiently intense:



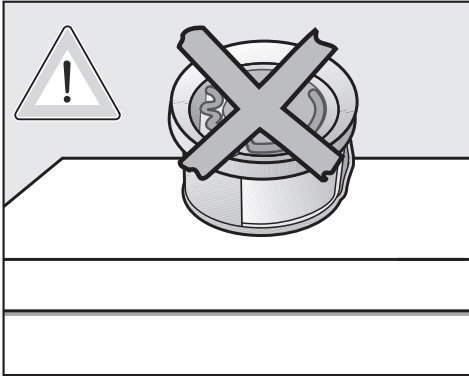
- Turn the outer ring anti-clockwise until markers ① and ② line up.



- Replace the fragrance flacon with a new one.

Fragrance flacons are available to order from Miele or online at www.miele-shop.com.

Fragrance flacon



- when purchasing new fragrance flacons: only remove the protective seal just before use

Cleaning the fluff filters

The intensity of the fragrance will be diminished if the fluff filters and the plinth filter are not cleaned.

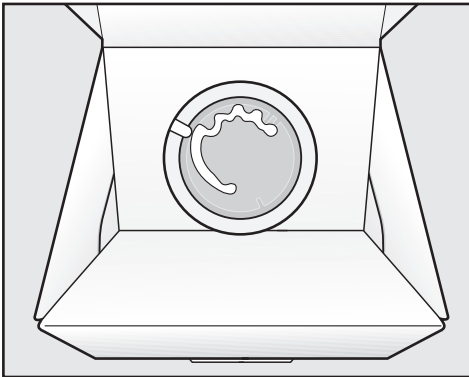
⚠ The fragrance filter must be removed before cleaning the fluff filter.

⚠ To prevent any fragrance leaking out of the flacon:
when not in use, the fragrance flacon must only be stored in its original packaging as illustrated.

- Clean the fluff filters and the plinth filter: see "Cleaning and care".

⚠ Never lay the fragrance flacon down on any surface as the fragrance will leak.


Only store the fragrance flacon in its original packaging




- when storing the fragrance flacon in its original packaging whilst you are not using it, e.g. whilst cleaning the tumble dryer: to prevent the fragrance leaking do not store the packaging upright on its edge or upside down.
- store in a cool, dry place
- store away from direct sunlight

Problem solving guide

With the help of the following notes minor faults in the performance of the appliance, some of which may result from incorrect operation, can be put right without contacting the Service Department.

 Repair work to electrical appliances must only be carried out by a suitably qualified person in strict accordance with current local and national safety regulations. Repairs and other work by unqualified persons could be dangerous. The manufacturer cannot be held liable for unauthorised work.

Check indicators and fault messages

Problem	Cause and remedy
The programme is cancelled, 0:00 lights up	This is not a fault. In some programmes, if the drum has been underloaded or is empty, the programme will be cancelled. This can also happen if the items are already dry. <ul style="list-style-type: none">■ Open and close the door to resume drying.■ Dry individual items using the <i>Warm air</i> timed drying programme.
--- flashes/lights up after the tumble dryer has been switched on and a programme cannot be selected	Access via a code has been activated. <ul style="list-style-type: none">■ See "Programmable functions - P07 Code".
 and FXX (e.g. F35) light up after a programme has been cancelled	No obvious cause. <ul style="list-style-type: none">■ Switch the dryer off and then on again.■ Start a programme. If the programme is cancelled again and an error message appears, there is a fault. Contact the Miele Service Department.

Problem solving guide

Problem	Cause and remedy
<p>⊗ lights up at the end of a programme</p>	<p>There is a build-up of fluff in the airways.</p> <ul style="list-style-type: none"> ■ Clean the fluff filters. ■ Clean the plinth filter. <p>See "Cleaning and care".</p> <p>To switch ⊗ off:</p> <ul style="list-style-type: none"> ■ Open and close the door while the dryer is switched on.
<p>⊗ and 055 light up after a programme has been cancelled</p>	<p>An excessive amount of fluff has built up.</p> <ul style="list-style-type: none"> ■ Clean the fluff filters. ■ Clean the plinth filter. <p>Clean the airways:</p> <ul style="list-style-type: none"> - Clean the area underneath the plinth filter. - Clean the heat exchanger. <p>To switch ⊗ off:</p> <ul style="list-style-type: none"> ■ Switch the dryer off and back on again.
<p>Ⓢ lights up after a programme has been cancelled</p>	<p>The condensed water container is full or there is kink in the drain hose.</p> <ul style="list-style-type: none"> ■ Empty the container. ■ Check the drain hose. <p>To switch Ⓢ off:</p> <ul style="list-style-type: none"> ■ Open and close the door while the dryer is switched on.
<p>-0- lights up</p>	<p>The programme selector has been moved.</p> <ul style="list-style-type: none"> ■ Select the original programme. The time remaining will appear in the display again.
<p>Bars flash in the display at the end of a programme: L L L ... L L L ... L L L ...</p>	<p>The programme has finished but the laundry has not yet cooled down.</p> <ul style="list-style-type: none"> ■ Either remove the laundry and spread it out to cool down or leave it in the tumble dryer to cool down during the cooling phase.

Unsatisfactory drying results

Problem	Cause and remedy
The laundry is not sufficiently dry	<p>The load consisted of different types of fabric.</p> <ul style="list-style-type: none">■ Finish drying using the <i>Warm air</i> timed drying programme.■ Select a different programme next time. <p>Tip: You can alter the drying levels for some programmes (see "Programmable functions").</p>
Laundry or feather filled pillows smell after drying	<p>The laundry was washed with insufficient detergent</p> <p>Feathers are a natural product and this is quite normal.</p> <ul style="list-style-type: none">■ Laundry: use sufficient detergent next time.■ Pillows: take out of the tumble dryer and air them.■ Use a fragrance flacon (available as an optional accessory) for your favourite fragrance.
Items made of synthetic fibres are charged with static electricity after drying	<p>Synthetic fibres tend to attract static charge.</p> <ul style="list-style-type: none">■ Static charge can be reduced by adding a fabric conditioner to the final rinse in the washing programme.
There is a build-up of fluff	<p>Fluff is principally the result of friction when garments are being worn and to some extent when they are being washed. Machine drying hardly causes any fluff to form.</p> <p>Fluff is collected by the fluff filters and the plinth filter and can be removed easily.</p> <ul style="list-style-type: none">■ See "Cleaning and care".

Problem solving guide

Other problems

Problem	Cause and remedy
The drying process goes on too long or even switches off *	The room in which the dryer is located is too warm. ■ Ventilate the room thoroughly.
	Detergent residues, hair and fine fluff can clog the filters. ■ Clean the fluff filters and the plinth filter. ■ Remove any visible fluff: ... bottom left, from behind the panel in the heat exchanger cavity (see "Cleaning and care"); ... from the cooling fins behind the grille bottom right (see the end of this section).
	The cool air intake (bottom right grille) is blocked. ■ Move any objects, such as a laundry basket, away from the dryer.
	The fluff filters and the plinth filter were wet when replaced. ■ The fluff filters and the plinth filter must be dry.
	The laundry is too damp. ■ Spin using a higher spin speed in the washing machine.
	The tumble dryer has been overloaded ■ Do not exceed the maximum load for the programme selected.
	Metal zips have prevented the dryer from registering the correct moisture level. ■ Open the zips next time. ■ If the problem recurs, dry these items using the <i>Warm air</i> timed drying programme.
	* Before starting another programme: ■ Switch the dryer off and then on again.
There are humming noises	The compressor is operating. These noises are quite normal and do not indicate a fault.

Problem solving guide

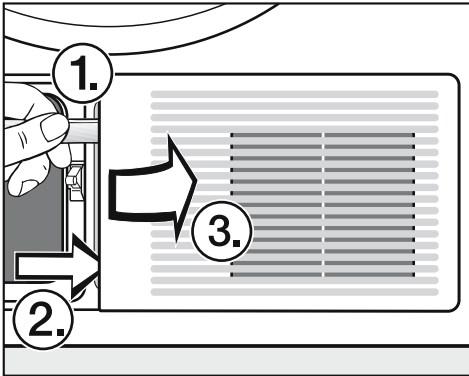
Problem	Cause and remedy
A programme does not start	<p>No obvious cause.</p> <ul style="list-style-type: none"> ■ Connect the tumble dryer to the mains ■ Turn on the tumble dryer ■ Close the door ■ Check whether the mains fuse has tripped
	<p>Has there been a power cut? When power is restored any previously running programme will restart automatically.</p>
The display is dark and the Start/Stop button is flashing slowly	<p>The dryer is in standby mode. This is quite normal and does not indicate a fault.</p> <ul style="list-style-type: none"> ■ See "Programmable functions - P11 Standby".
	<p>The drum will turn at intervals in the anti-crease phase.</p>
The dryer is switched off at the end of the programme	<p>The dryer switched off automatically. This is quite normal and does not indicate a fault.</p> <ul style="list-style-type: none"> ■ See "Programmable functions - P12 Automatic switch-off".
The interior drum lighting does not come on	<p>The drum lighting will switch off automatically ...</p> <p>... when the door is closed.</p> <p>... after a few minutes when the door is open (to save energy).</p> <p>If the dryer is switched on, the drum lighting will come on when the door is opened.</p>

Problem solving guide

Bottom right grille

⚠ In general, the cooling fins behind the grille on the bottom right do not need cleaning. They should only be cleaned if the drying process is taking an exceptionally long time due to a very high level of dust or fluff in the room in which the dryer is located.

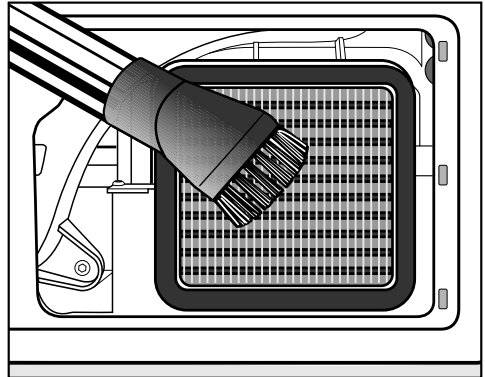
- First open the plinth filter panel (bottom left).



- Then insert a spoon handle behind the grille on the right hand side.
- Lever off the grille at the top (1.).
- Lever off the grille at the bottom (2.).
- Open the grille out to the right (3.) ...
- ... and pull it forwards releasing its 3 hooks to remove it from the dryer.

⚠ Danger of injury. Do not touch the cooling fins. You could cut yourself.

⚠ Use a vacuum cleaner with a dusting brush attached to clean the cooling fins. Only pass the vacuum cleaner brush over them lightly, without applying any pressure. Take care not to bend the cooling fins out of shape or to damage them.



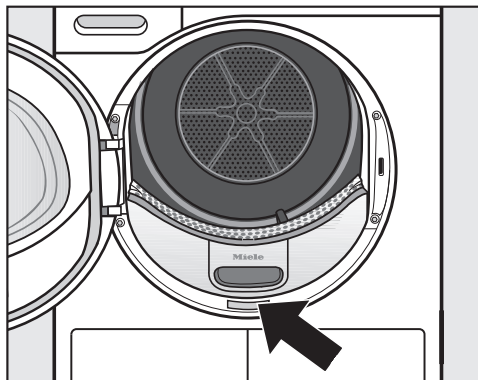
- Carefully vacuum up any visible fluff or soiling.
- Re-insert the 3 hooks on the grille into the appropriate holes in the front of the dryer.
- Press the grille firmly back into position by pressing it in at the top and bottom on the left.

Repairs

In the event of any faults which you cannot remedy yourself, please contact your Miele Dealer or the Miele Service Department.

Contact details for Miele are given at the end of this booklet. N.B. A call-out fee will be charged for service visits where the problem could have been resolved as described in these instructions.

When contacting the Service Department, please quote the model and serial numbers both of which are given on the data plate (visible when the door is open).



Please note that telephone calls may be monitored or recorded for training purposes.

Optional accessories

Optional accessories for this tumble dryer are available from Miele, your Miele dealer or via the internet at:



Dryer basket

The dryer basket is suspended in the drum and does not rotate with the drum. This enables items which must not be subjected to mechanical action to be dried or aired.

Fragrance flacon

A fragrance flacon can be used in your tumble dryer to add a pleasant fragrance to your laundry.

Guarantee: U.K.

In the U.K. the appliance is guaranteed for 2 years from the date of purchase.

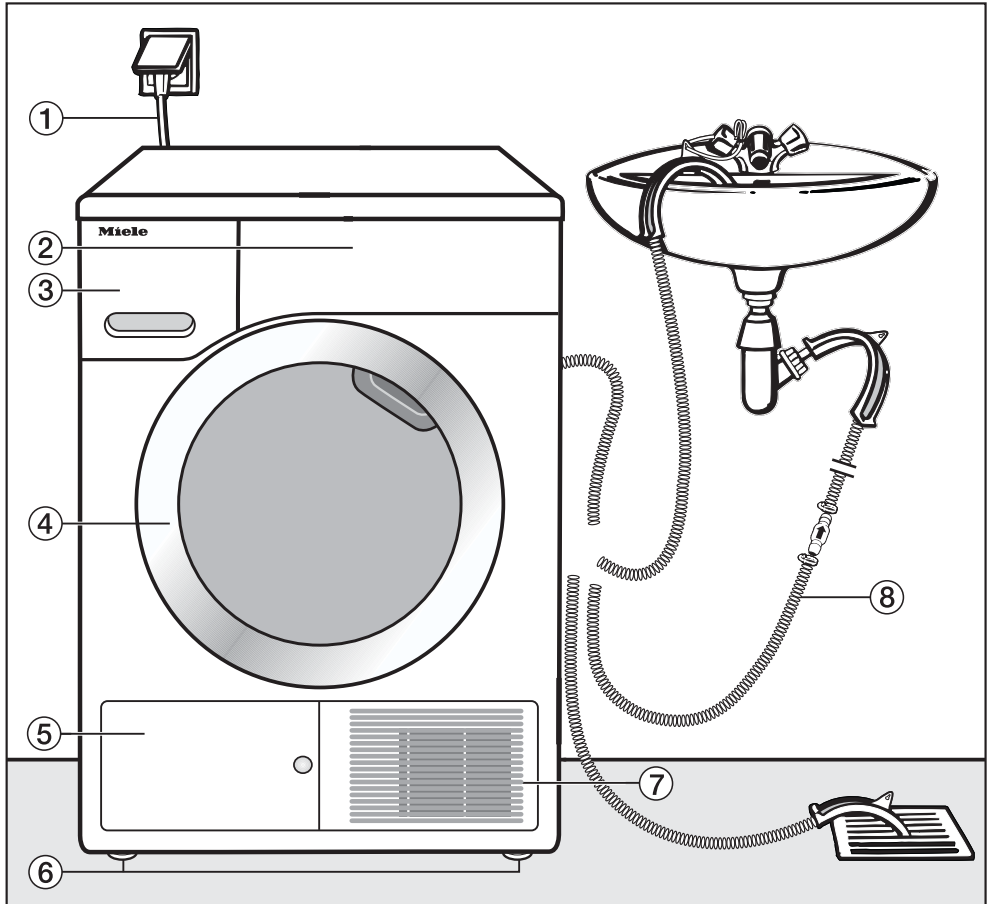
However, you must activate your cover by calling 0330 160 6640 or registering online at www.miele.co.uk.

Guarantee: Other countries

For information on the appliance guarantee specific to your country please contact Miele. See end of this booklet for contact details.

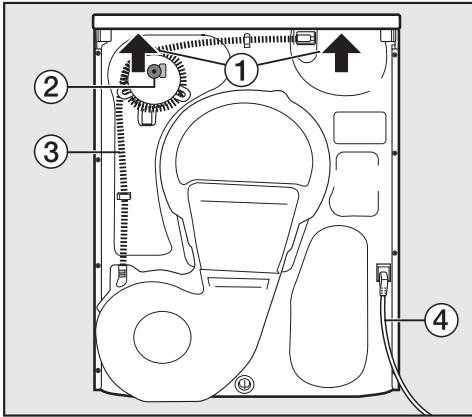
Installation and connection

Front view



- ① Mains connection cable
- ② Control panel
- ③ Condensed water container
 - empty after every drying cycle
- ④ Door
 - do not open during drying
- ⑤ Heat exchanger access panel
 - do not open during drying
- ⑥ Four height adjustable screw feet
- ⑦ Cool air intake grille
 - do not obstruct with a laundry basket or other objects
- ⑧ Hose for external drainage of condensed water

Rear view



- ① Protruding lid for holding when moving the dryer (see arrows)
- ② Accessories for external drainage of condensed water: hose clip, adapter and hose holder
- ③ Hose for external drainage of condensed water
- ④ Mains connection cable

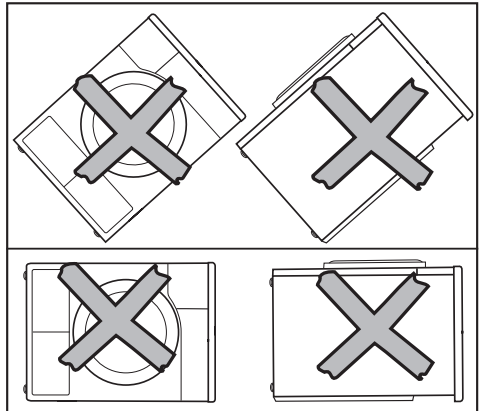
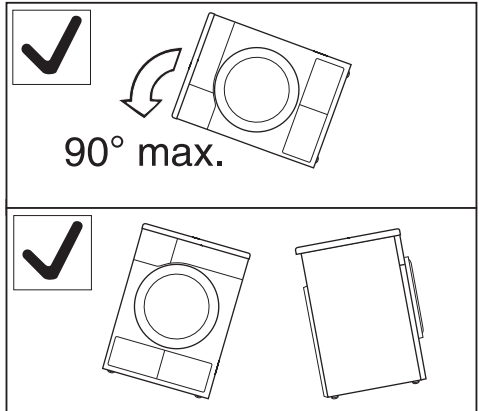
Transporting the dryer

To manoeuvre the dryer out of its packing case to its installation site, hold it by

- the front feet
- and the lid where it protrudes at the back of the appliance.

⚠ Only transport the dryer as shown in the following illustrations.

⚠ If transporting the dryer at an angle, only tip towards the left side.



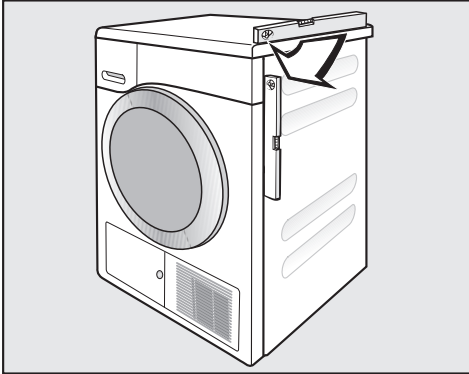
⚠ If the tumble dryer has not been transported as described, then it must be left to stand for at least 1 hour before it is connected to the electricity supply. Otherwise the heat pump can be damaged.

Installation and connection

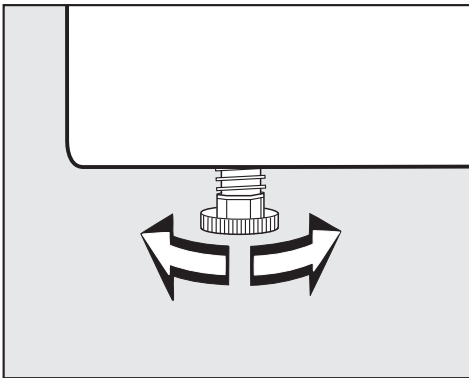
Installation

Levelling the dryer

⚠ Make sure the dryer door can be opened without hindrance after installation.



The appliance must stand perfectly level to ensure safe and proper operation.



The screw feet can be adjusted to compensate for unevenness in the floor.

Ventilation

⚠ The cool air intake at the front of the dryer must not be blocked or covered. This would hinder a sufficient intake of cool air for the heat exchanger.


⚠ Do not block the gap between the bottom of the tumble dryer and the floor with plinth facings, deep pile carpet etc. This would hinder a sufficient flow of air to the dryer.

Air which is taken in to cool the heat exchanger is then blown back out of the dryer and warms up the air in the room. It is therefore very important to ensure adequate ventilation, e.g. by opening a window. Otherwise drying durations may be longer (increased energy requirement).


Before moving the tumble dryer again (e.g. when moving house)

After each use a small quantity of condensed water will collect in the area of the pump. This water can run out if the tumble dryer is tipped up when it is being moved. Recommendation: run the *Warm air* programme for approximately 1 minute before moving the tumble dryer. Any remaining condensed water will then be fed into the condensed water container or out through the drain hose.

Additional installation requirements

 For safety reasons the tumble dryer must be disconnected from the electricity supply before installation.

Building under a continuous worktop/in a row of kitchen units

 It is very important to avoid a build-up of heat. The warm air which is expelled from the dryer must be able to dissipate. Warm air which cannot dissipate could cause a fault.

- The electrical socket must be located in an accessible position near the appliance.
- Drying durations may increase slightly.


A build-up of heat can be avoided by:

- Adjusting the screw feet so that there is a gap of at least 20 mm between the floor and the bottom of the dryer.
- Creating a gap for the dryer in the kitchen furniture plinth facing.
- Creating ventilation gaps in the kitchen unit.

Pushing the dryer under a worktop

This tumble dryer is suitable for pushing under a worktop if there is space to do this without removing the lid.

– Building-under kit

 A building under kit is required if the lid of the tumble dryer needs to be removed in order to build it under a worktop. It must be installed/dismantled by a suitably qualified fitter.

The lid of the tumble dryer is replaced by the cover plate supplied with the building under kit. It must be fitted by a suitably qualified fitter to ensure electrical safety.

Fitting instructions are supplied with the building-under kit.

Optional accessories

– Washer-dryer stack

The tumble dryer can be combined with a Miele washing machine in a washer-dryer stack. The appropriate Miele washer-dryer stacking kit is required.

– Plinth

The tumble dryer can be fitted on a plinth with drawer (please note the plinth may not be available in all countries).

Installation and connection

External condensed water outlet

Notes

When drying is in progress, condensed water is pumped into the condensed water container through the drain hose which is located at the back of the dryer.


The condensed water can also be drained away via the drain hose so that the condensed water container does not have to be emptied.

Drain hose length: 1.60 m
Maximum delivery head: 1.50 m
Maximum drain hose length: 4.00 m

The following optional accessories are available:

- an extension hose,
- a non-return valve kit for connection to an external water outlet. The kit includes an extension hose.

Installation conditions requiring a non-return valve

 There is a risk of back-flow into the dryer if a non-return valve is not fitted.


Back-flow could damage the dryer and also the room in which it is located.

Certain installation conditions, such as those described below, require the fitting of a non-return valve.


Maximum delivery head with non-return valve fitted: 1.00 m

Installation conditions requiring the fitting of a non-return valve:

- Drainage into a sink or floor gully where the end of the hose is immersed in water.
- Connection to a sink drain outlet.
- Connection to a drainage system already in use by another appliance, e.g. a dishwasher or washing machine.

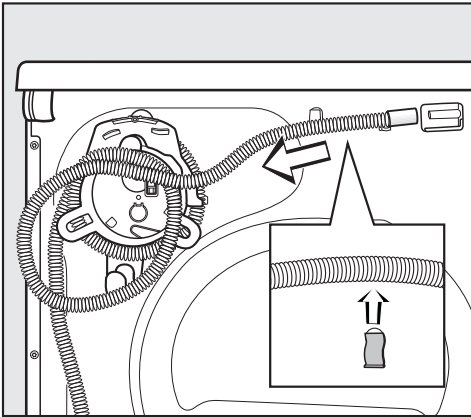
 The non-return valve has to be fitted with the arrow pointing in the direction of flow.
Otherwise water will not drain out of the appliance.

Arranging the drain hose

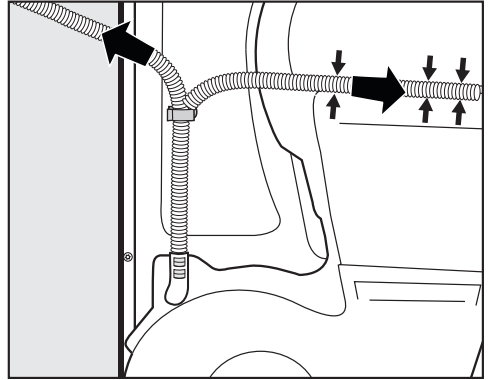
 Do not pull on the drain hose and do not stretch it or allow it to become kinked.

This could damage the hose.

There will be a small amount of residual water left in the drain hose. Have a container ready to collect this.



- Pull the drain hose off its connection.
- Unwind the hose and pull it carefully out of the holders.
- Allow any residual water to run into the container.



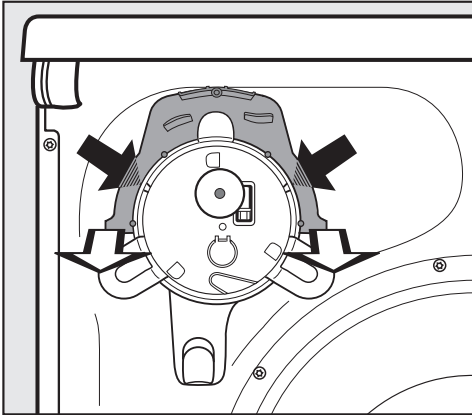
- Guide the hose to the right or left side of the dryer, as required.
 - If you are guiding it to the right you can fit the hose into the groove.
 - Leave the hose in the lower holder to prevent it from being kinked by mistake.

Installation and connection

Examples

– Drainage into a sink or floor gully

Use the hose holder to prevent the drain hose from becoming kinked.



- Press the small catches on the left and right of the hose holder with your thumbs (black arrows) and ...
- ... pull the hose holder forwards to remove it (white arrows).*

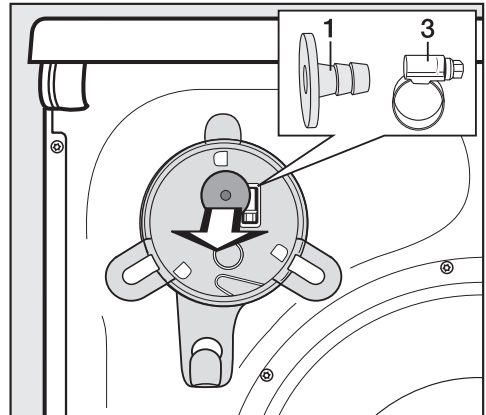
⚠ If you want to drain the water off into a sink or basin, you will need to secure the hose carefully, e.g. by tying it to a tap, to make sure it cannot slip during use (see the drawing under "Installation and connection - Front view").

Overflowing water can cause damage.

- The non-return valve can be fitted in the end of the hose.

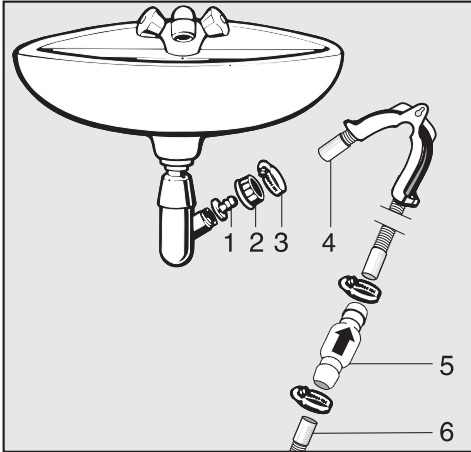
* You can refit the hose holder at a later stage if you decide that you no longer want to drain the condensed water externally.

Direct connection to a sink drain outlet



- Remove the following from the back of the dryer at the top: Adapter **1** and hose clip **3** behind it.
- Connect the drain hose as described below.

Installation and connection



- Fit adapter **1** to the sink drain outlet using nut **2**.
The nut is usually fitted with a washer which must be removed.
- Attach the end of the hose **4** to adapter **1**.
- Use the hose holder.
- Use a screwdriver to tighten hose clip **3** up close to the nut.
- Fit non-return valve **5** to tumble dryer drain hose **6**.

Non-return valve **5** has to be fitted so that the arrow points in the direction of flow (i.e. towards the sink).

- Secure the non-return valve using hose clips.

1. Adapter
2. Nut
3. Hose clip
4. End of the hose (secured with the hose holder)
5. Non-return valve
6. Tumble dryer drain hose

Installation and connection

Electrical connection U.K.

All electrical work should be carried out by a suitably qualified and competent person, in strict accordance with current national and local safety regulations (BS 7671 in the UK).

Ensure power is not supplied to the appliance until after installation work has been carried out.

The appliance is supplied with a mains cable with moulded plug ready for connection to a 230-240V mains supply.

Please ensure the connection data quoted on the data plate match the household mains supply.

Connection should be made via a suitable switched socket which is easily accessible after installation.

For extra safety it is advisable to protect the appliance with a suitable residual current device (RCD). Contact a qualified electrician for advice.

Do not connect via an extension lead. Extension leads do not guarantee the required safety of the appliance (e.g. danger of overheating).


Non-rewireable plugs BS 1363

The fuse cover must be refitted when changing the fuse, and if the fuse cover is lost, the plug must not be used until a suitable replacement is obtained. The colour of the correct replacement cover is that of the coloured insert in the base of the plug, or the colour that is embossed in words on the base of the plug (as applicable to the design of plug fitted).

Replacement fuses should be ASTA approved to BS 1362 and have the correct rating. Replacement fuses and fuse covers may be purchased from your local electrical supplier.

**WARNING: THIS APPLIANCE
MUST BE EARTHED**

Consumption data

	Load ¹	Final spin speed in a domestic washing machine	Residual moisture	Energy	Duration
	kg	rpm	%	kWh	min
Cottons  ²	8.0	1000	60	2.14	156
	4.0	1000	60	1.28	94
Cottons Normal	8.0	1200	53	1.90	141
	8.0	1400	50	1.80	134
	8.0	1600	44	1.60	119
Cottons Normal + Gentle tumble	8.0	1000	60	2.19	163
Cottons Hand iron	8.0	1000	60	1.52	115
	8.0	1200	53	1.35	101
	8.0	1400	50	1.25	94
	8.0	1600	44	1.05	80
Minimum iron Normal + Gentle tumble	4.0	1200	40	0.69	55
	4.0	1200	40	0.80	60
Minimum iron Hand iron	4.0	1200	40	0.60	48
Denim Normal	3.0	900	60	1.42	106
Express Normal	4.0	1000	60	1.20	88
¹ Weight of dry laundry					
² Test programme in accordance with Regulation 392/2012/EU for energy labelling, measured in accordance with EN 61121					
All data was calculated using EN 61121 unless otherwise stated.					
Power consumption when switched off				0.15 W	
Power consumption when not switched off				1.50 W	

Note for test institutes:

For testing in accordance with EN 61121, before testing, dry a 3 kg load of cotton laundry with 70% residual moisture as per the above standard using the *Cottons Normal* programme without any options selected.

Consumption data can vary from the nominal values given above depending on the size of the load, type of fabric, residual moisture level after spinning, fluctuations in the electricity supply and any options selected.

Technical data

Height	850 mm
Width	596 mm
Depth	636 mm
Depth with door open	1054 mm
Height for building under	820 mm (+8/-2 mm)
Width for building under	600 mm
Depth for building under	600 mm
Suitable for pushing under a worktop	Yes
Suitable for stacking	Yes
Weight	Approx. 61 kg
Drum volume	120 litres
Load size	8.0 kg (weight of dry laundry)
Capacity of condensed water container	4.8 litres
Hose length	1.60 m
Maximum delivery head	1.50 m
Maximum drain hose length	4.00 m
Length of connection cable	2.00 m
Voltage	See data plate
Connected load	See data plate
Fuse rating	See data plate
Test certificates awarded	See data plate
Energy consumption	See "Consumption data"
LEDs	Class 1

Programmable functions

Various settings can be reprogrammed to alter the dryer's electronics to suit different requirements. They can be altered at any time.

Programmable functions

Programming

You can use the programmable functions to alter the dryer's electronics to suit your requirements.

Please read the following pages which describe the various programmable functions so that you are aware of the effect selecting the different options will have on your dryer.

Programming is carried out in 8 steps (1, 2, 3 ... 8) using buttons and sensors.

I) To access a programmable function

Before you begin, ensure that:

- The tumble dryer is switched off.
- The door is closed.

1 Press the *Start/Stop* button and keep it pressed in whilst carrying out steps 2-3.


2 Switch the dryer on.

Wait until the *Start/Stop* button lights up constantly ...

3 ... and then release the *Start/Stop* button.

II) To select a programmable function

The number of the programmable function will appear in the display as *P* and a number:
e.g. *P01*.

4 Touch the  sensor to select the other programmable functions one by one:


Programmable function	
<i>P01</i>	<i>Cottons</i> programme - drier or damper
<i>P02</i>	<i>Minimum iron</i> programme - drier or damper
<i>P04</i>	Extended cool down
<i>P05</i>	Buzzer volume
<i>P06</i>	Keypad tone
<i>P07</i>	Code
<i>P08</i>	Conductivity
<i>P09</i>	Additional drying levels
<i>P11</i>	Standby
<i>P12</i>	Automatic switch-off
<i>P13</i>	Memory
<i>P14</i>	Anti-crease

5 Confirm your selection of the programmable function by pressing the *Start/Stop* button.

III) To select a different option

The options allow you to alter the features of the particular programmable function.

The option will appear in the time display as - and a number: e.g. *-00* or *-01* or *-02* etc.

- 6 Touch the  sensor to switch to the next option:

Programmable function	Available options							
	-00	-01	-02	-03	-04	-05	-06	-07
	P01		X	X	X	O	X	X
P02		X	X	X	O	X	X	X
P04	O	X	X	X	X	to		-09
P05		O	X					
P06	O	X						
P07	O	X						
P08		O	X					
P09	O	X						
P11	X	O	X					
P12		X	O	X				
P13	O	X						
P14		X	O					

X = Can be selected

O = Factory default setting

- 7 Confirm your selection of the option selected by pressing the *Start/Stop* button.

The number of the programmable function: e.g. *P01* will light up again.

IV) To exit programming

- 8 Switch the dryer off.

The option you have selected is now stored in memory. You can change it again at any time.

The following example illustrates the programming procedure.

Programmable functions

Example

The example describes how to call up the "PDE Keypad tone" programmable function. When the Keypad tone programmable function is switched on, a tone will sound every time a button is pressed when operating the dryer.

I) To access programming

Before you begin, ensure that:

- The tumble dryer is switched off.
- The door is closed.
- ① Press the *Start/Stop* button and keep it pressed in whilst carrying out steps ②-③.


- ② Switch the dryer on.

Wait until the *Start/Stop* button lights up constantly . . .

- ③ . . . and then release the *Start/Stop* button.

PDI will light up


II) Selecting the programmable function

- ④ Touch the  sensor repeatedly until *PDE* lights up.
- ⑤ Confirm selection of *PDE* by pressing the *Start/Stop* button.

III) To select a different option

-DD will light up in the time display. These numbers mean that the keypad tone is switched off.

To switch on the keypad tone:

- ⑥ Touch the  sensor so that *-DI* lights up.
- ⑦ Confirm selection of *-DI* by pressing the *Start/Stop* button.

PDE will light up again.

IV) To exit programming

- ⑧ Switch the dryer off.

To check the programming

- Switch the dryer on.
- Press any button.

A tone will sound each time you press a button.

- Switch the dryer off.

Reverting to the previous programming

- You can switch off the keypad tone at any time by repeating the steps described in this example.

Select the *-DD* option in step ⑥.

P01 Cottons programme - drier or damper

or

P02 Minimum iron programme - drier or damper

The electronics are designed to dry as effectively as possible. However, if you require the laundry to be drier or damper, you can alter all the drying levels for one of these programmes at the same time.

Options

- 01 very damp
- 02 even damper
- 03 damper
- 04 **factory default**
- 05 drier
- 06 even drier
- 07 very dry

Exception:

The *Cottons* programme will remain unchanged.

P04 Extended cool down

The automatic cooling down phase which takes place before the end of a programme can be extended for all programmes with selectable drying levels. This makes the garments easier to handle.

Options

- 00 **factory default**
- 01 cool down time 2 min. longer
- 02 cool down time 4 min. longer
- 03 cool down time 6 min. longer
- 04 cool down time 8 min. longer
- 05 cool down time 10 min. longer
- 06 cool down time 12 min. longer
- 07 cool down time 14 min. longer
- 08 cool down time 16 min. longer
- 09 cool down time 18 min. longer

P05 Buzzer volume

The buzzer can be set so that it is louder.

- 01 **Factory default**
- 02 Buzzer louder

P06 Keypad tone

When this function is activated a tone will sound each time a button is pressed.

The volume of the keypad tone will depend on the setting selected for "P05 Buzzer volume".

Options

- 00 **Factory default: off**
- 01 Keypad tone on

Programmable functions

P07 Code

The code prevents your dryer being used without your knowledge.

When the code has been activated, you have to enter a code after switching the dryer on. Otherwise the dryer cannot be operated.

Options


- 00 **Factory default: off**
- 01 Code on

If option -01 has been selected, after switching on you will have to enter the code before you can operate the dryer.

To use the dryer when the code is activated


After the dryer has been switched on, --- will flash in the time display.

The code is 250 and cannot be altered.

- Touch the  sensor until a 2.. flashes in the first position.
- Confirm this by pressing the *Start/Stop* button.
- Enter the two other numbers in the same way.


The dryer is ready for use after 250 has been entered and confirmed.

P08 Conductivity

 This programmable function should only be set if the residual moisture reading in your laundry is incorrect due to extremely soft water.

Conditions

This programmable function should only be set if the water used for washing the laundry is extremely soft with a conductivity reading (electrical conductivity) less than 150 µS. Contact your local water authority for the conductivity level of your mains water supply.

 Only activate this programmable function for the conditions described above. Otherwise drying results can be unsatisfactory.

Options

- 01 **Factory default: off**
- 02 Low conductivity

PO9 Additional drying levels

You can activate additional drying levels for many of the programmes:
Normal+ (drier than the Normal drying level);
Slightly dry (damper than Normal drying level);
Hand iron ∆∆ (damper than the Hand iron drying level).

This programmable function is only available for programmes with a selectable drying level.

Options

-00 **Factory default**

-01 Drying level stages added

Once this programmable function has been activated, you will have the option of selecting the additional drying levels when you select a programme.

- Select a programme with selectable drying levels.
- Touch the ∨ sensor until two drying levels light up in the display:

if 2 drying levels are lit up	then the following additional drying level is selected
<i>Extra dry</i> <i>Normal</i>	Normal+
<i>Normal</i> <i>Hand iron</i>	Slightly dry
<i>Hand iron</i> <i>Machine iron</i>	Hand iron ∆∆

Programmable functions

P11 Standby

To save energy the display and buttons will go out after 10 minutes and only the *Start/Stop* button will flash slowly. You can alter this setting.

However, standby mode will not occur in the event of a fault.

Options

-02 Standby switched on:

The display and buttons will go out after 10 minutes . . .
. . . if no selection is made after switching the dryer on.
. . . after a programme has started.

However, the display and buttons will remain lit up for 10 minutes after a delay start time has elapsed, after the end of the programme or at the end of the anti-crease phase. The buzzer, if selected, will sound for 10 minutes after the end of the programme.

-01 **Not in current programme (factory default setting)**

As described under -02.
However, the display and buttons will remain lit up during the programme.

-00 Off

The display and buttons will remain lit up while the dryer is switched on.

To switch the display and buttons back on again

- Turn the programme selector or press a button. Neither will have any effect if a programme is running.
- Open the door while the dryer is switched on.

P12 Automatic switch-off

To save energy the dryer will switch off automatically after 15 minutes. You can lengthen or shorten the time.

However, there is no automatic switch-off in the event of a fault.

The dryer will switch off automatically after 15 minutes,

- if no further selection is made after switching the dryer on.
- at the end of the anti-crease phase.
- after a programme without an anti-crease phase has finished.

Options

- 01 Switch-off after 10 minutes
- 02 **Factory default: Switch-off after 15 minutes**
- 03 Switch-off after 20 minutes

P13 Memory

The electronics will store in memory a drying level or options for a selected programme. The duration selected for a timed drying programme will also be stored in memory. These settings will then appear the next time the programme is chosen.

Options

- 00 **Factory default: Memory off**
- 01 Memory on

Exception:

The *Cottons*  programme will remain unchanged.

P14 Anti-crease

If you have pressed the *Anti-crease* button: the drum will continue to rotate in a special anti-crease rhythm for a maximum of 2 hours after the end of the drying process. This helps prevent creasing if laundry is not going to be removed immediately. You can reduce the duration of the anti-crease phase.

Options

- 01 1 hour anti-crease
- 02 **Factory default: 2 hour anti-crease**

United Kingdom

Miele Co. Ltd.
Fairacres, Marcham Road
Abingdon, Oxon, OX14 1TW
Customer Contact Centre Tel: 0330 160 6600
E-mail: mielecare@miele.co.uk
Internet: www.miele.co.uk

Australia

Miele Australia Pty. Ltd.
ACN 005 635 398
ABN 96 005 635 398
1 Gilbert Park Drive, Knoxfield, VIC 3180
Tel: 1300 464 353
Internet: www.miele.com.au

China

Miele (Shanghai) Trading Ltd.
1-3 Floor, No. 82 Shi Men Yi Road
Jing' an District
200040 Shanghai, PRC
Tel: +86 21 6157 3500, Fax: +86 21 6157 3511
E-mail: info@miele.cn, Internet: www.miele.cn

Miele (Hong Kong) Limited

41/F - 4101, Manhattan Place
23 Wang Tai Road
Kowloon Bay, Hong Kong
Tel: (852) 2610 1331, Fax: (852)2610 1013
Email: mielehk@miele.com.hk

India

Miele India Pvt. Ltd.
Ground Floor, Copia Corporate Suites
Plot No. 9, Jasola
New Delhi - 110025
Tel: 011-46 900 000, Fax: 011-46 900 001
E-mail: customercare@miele.in, Internet: www.miele.in

Ireland

Miele Ireland Ltd.
2024 Bianconi Avenue
Citywest Business Campus, Dublin 24
Tel: (01) 461 07 10, Fax: (01) 461 07 97
E-Mail: info@miele.ie, Internet: www.miele.ie

Manufacturer: Miele & Cie. KG

Carl-Miele-Straße 29, 33332 Gütersloh, Germany

Miele

Malaysia

Miele Sdn Bhd
Suite 12-2, Level 12
Menara Sapura Kencana Petroleum
Solaris Dutamas No. 1, Jalan Dutamas 1
50480 Kuala Lumpur, Malaysia
Phone: +603-6209-0288
Fax: +603-6205-3768

New Zealand

Miele New Zealand Limited
IRD 98 463 631
Level 2, 10 College Hill
Freemans Bay, Auckland 1011, NZ
Tel: 0800 464 353
Internet: www.miele.co.nz

Singapore

Miele Pte. Ltd.
163 Penang Road
04 - 03 Winsland House II
Singapore 238463
Tel: +65 6735 1191, Fax: +65 6735 1161
E-Mail: info@miele.com.sg
Internet: www.miele.sg

South Africa

Miele (Pty) Ltd
63 Peter Place, Bryanston 2194
P.O. Box 69434, Bryanston 2021
Tel: (011) 875 9000, Fax: (011) 875 9035
E-mail: info@miele.co.za
Internet: www.miele.co.za

United Arab Emirates

Miele Appliances Ltd.
P.O. Box 11 47 82
Gold & Diamond Park, Sheikh Zayed Road
Building 6 / Offices Nos. 6-214 to 6-220
Dubai
Tel: +971-4-341 84 44
Fax: +971-4-341 88 52
E-Mail: info@miele.ae
Internet: www.miele.ae

TKB 340 WP



en-GB

M.-Nr. 10 000 750 / 01

Free Manuals Download Website

<http://myh66.com>

<http://usermanuals.us>

<http://www.somanuals.com>

<http://www.4manuals.cc>

<http://www.manual-lib.com>

<http://www.404manual.com>

<http://www.luxmanual.com>

<http://aubethermostatmanual.com>

Golf course search by state

<http://golfingnear.com>

Email search by domain

<http://emailbydomain.com>

Auto manuals search

<http://auto.somanuals.com>

TV manuals search

<http://tv.somanuals.com>