

# Operations Manual for the T 1515 Vented Dryer

In order to protect yourself and avoid damage to your machine, it is **absolutely** necessary to read the operating instructions prior to installation and operation.

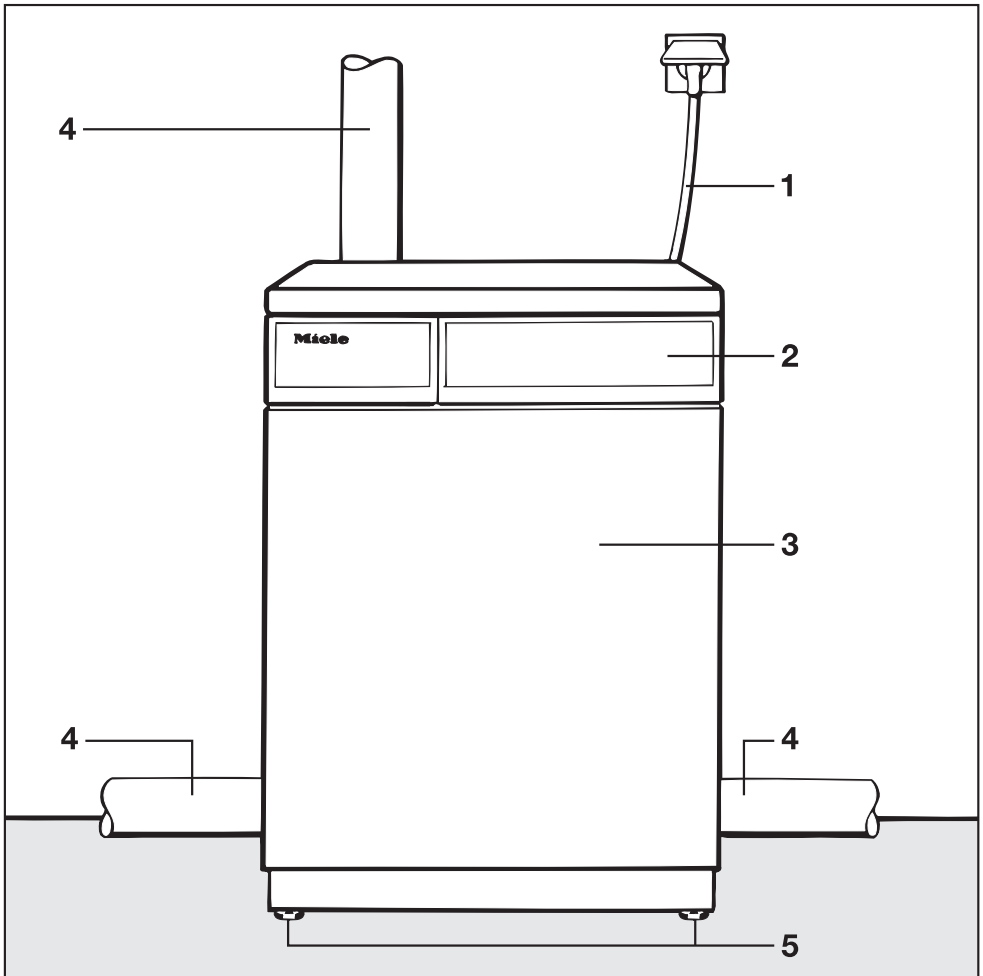


M.-Nr. 05 275 040

# Contents

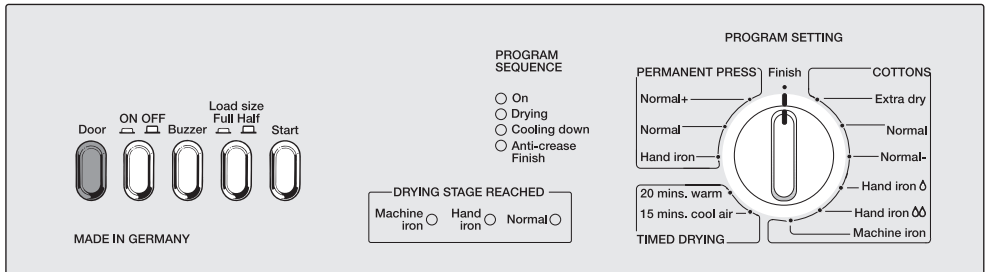
---

<b>Guide to the machine</b> .....	3
<b>IMPORTANT SAFETY INSTRUCTIONS</b> .....	5
<b>Your contribution to the environment</b> .....	7
<b>OPERATING INSTRUCTIONS</b> .....	8
Loading the machine .....	8
Unloading the machine .....	8
Notes on laundry care .....	9
Program selection .....	10
Programs .....	12
<b>USER MAINTENANCE INSTRUCTIONS</b> .....	14
Cleaning and care .....	14
Problem solving guide .....	15
After-sales service .....	18
<b>INSTALLATION INSTRUCTIONS</b> .....	19
Grounding and Electrical connection .....	19
Installation .....	20
Installation - venting .....	21
<b>Consumption data</b> .....	26
<b>Technical data</b> .....	27



- 1 Supply cable with plug
- 2 Control panel
- 3 Drum door
- 4 Exhaust connection (right, left or rear)
- 5 Four height-adjustable legs

# Guide to the machine



## Pushbuttons

- **Door**  
This button is used to open the door (does not stay pushed in).
- **ON / OFF**  
When the machine is turned on, the “On” indicator will light up if the door is closed. If the door is open, the drum light will be on.
- **Buzzer**  
Allows the buzzer to sound when the drum rotates during the anti-crease cycle.
- **Load size - Full / Half**  
To dry a standard size load at peak efficiency, press this button before starting the drying cycle.
- **Start**  
Starts the selected program (does not stay pushed in).

## Indicator lamps

- **PROGRAM SEQUENCE**  
The program sequence indicator lamps show the current state of the drying program.
- **DRYING STAGE REACHED**  
These indicator lamps show which drying stage the program has reached. For program stages “Normal” and “Extra dry” the indicator lamp remains at the “Normal” position.

## PROGRAM SETTING-SELECTOR

- Set the required program by turning the knob either clockwise or counter-clockwise.
- **COTTONS**
  - **PERMANENT PRESS**
  - **TIMED DRYING**  
Items can be either dried for 20 minutes (incl. a cooling-down phase) or cool air fluffed for 15 minutes.

# IMPORTANT SAFETY INSTRUCTIONS

---

**WARNING** - To reduce the risk of fire, electrical shock, or injury to persons when using your appliance, follow basic precautions, including the following:

1. Read these operating instructions before using your dryer for the first time, as this is for your own safety and for the protection of your machine.
2. Remember to remove the door when disposing of an old machine to prevent children from accidentally locking themselves in the machine and endangering their lives.
3. Do not install or store this appliance where it will be exposed to the weather.
4. Do not install your dryer in rooms where freezing temperatures may occur. The reliability of the electronic control system may be impaired.
5. This machine should only be used for drying the following fabrics:
  - Items which can be machine dried as specified by the laundry care label.
  - Items which have been washed in water.
6. The following fabrics pose a fire hazard:
  - Items which contain foam rubber, rubber or rubberlike components.
  - Items which have been treated with inflammable cleaning agents, such as gasoline or dry-cleaning solvents.
  - Items containing hair lacquer, hair-spray, nail polish remover or similar substances.
7. Clean the lint filter before and after each load.
8. Do not dry articles that have been previously cleaned in, washed in, soaked in, or spotted with gasoline, dry-cleaning solvents, other flammable or explosive substances as they give off vapors that could ignite or explode.
9. Do not allow children to play on or in the appliance. Close supervision of children is necessary when the appliance is used near the children.
10. To avoid back-pressure or accumulation of exhaust fumes, provide adequate room ventilation, by means of permanent vents or an open window.
11. Always close the door after use to prevent children from leaning on the door and causing the dryer to tilt.
12. Keep area around the exhaust opening and adjacent surrounding areas free from accumulation of lint, dust and dirt.

# IMPORTANT SAFETY INSTRUCTIONS

---

13. The interior of the machine and exhaust duct should be cleaned periodically by qualified personnel.

14. Do not reach into the dryer if the drum is moving.

15. Do not tamper with controls.

16. Do not repair or place any part of the appliance or attempt any servicing unless specifically recommended in the user maintenance instruction or in published user repair instructions that you understand and have the skills to carry out.

Repairs to electrical appliances should only be carried out by qualified personnel.

Incorrectly repaired machines may pose a considerable risk to the user.

17. Formation of lint.

Lint is principally the result of friction when items are worn and washed.

Machine-drying hardly causes any lint to form and, as has been established by research institutes, has no effect on the lifetime of fabrics.

18. Warning - Do not use fabric softener/anti static dryer sheets.

Residues from these products block-up (clog) the lint filter causing premature failure of the dryer.

Miele dryers are designed to dry laundry without static cling. However, should fabric softener be required, use liquid fabric softener in the wash cycle.

Clean lint filter mesh monthly by washing/scrubbing with hot soap and water.

19. Do not place items exposed to oils in your dryer. Items contaminated with oils may contribute to a chemical reaction that could cause a load to catch fire.

## SAVE THESE INSTRUCTIONS

**For grounding and electrical connection instructions, refer to the electrical connection section.**

**This dryer is only intended for residential use!**

## **Disposal of the packing material.**

The transport and protective packing is mostly manufactured from the following recycled or re-useable materials:

- corrugated paper/cardboard
- polystyrene - CFC-free
- polyethylene foil (transparent)
- untreated wood
- fiber board

Please check local environmental regulations before disposing of packing materials and discarding the appliance.

## **Disposal of your old machine.**

Old machines contain materials which can be recycled. Please contact your recycling center or scrap merchant and render the machine inoperative as per the "Important Safety Instructions" before disposing of the appliance.

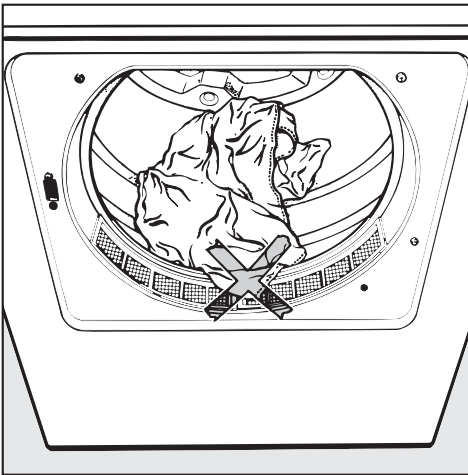
# OPERATING INSTRUCTIONS

---

**WARNING - To reduce the risk of fire, electric shock, or injury to persons, read the IMPORTANT SAFETY INSTRUCTIONS before operating this appliance.**

## Loading the machine

- Load the laundry loosely into the drum.
- Duvet covers and pillowcases should be fastened before drying in order to prevent small items from rolling inside of them.



Important: Check that laundry cannot be trapped by the door as this may cause damage to the fabric.

## Unloading the machine

- If the wash is not removed at the end of the drying program, the machine will automatically enter the anti-crease cycle for 60 minutes. This entails the drum being rotated at short intervals in order to reduce the formation of creases.
- Once the laundry has been removed, check that the drum is empty. Any items left in the drum could be damaged through over-drying during the next program.
- Clean the lint filter after each drying cycle to prevent excessive energy consumption, longer program times and the risk of fire.
- The door should always be closed after use.



## **Before drying, check the instructions on the fabric care label.**

### **The following fabrics should not be dried in a tumble dryer:**

- **Woollens and wool blends**  
These fabrics tend to become matted and shrink.
- **Items filled with down**  
The fine fabric interior tends to shrink, depending on the quality of the item involved.
- **Pure linen**  
These items should only be machine-dried if specified as suitable by the manufacturer on the textile care label. The surface of the fabric may otherwise tend to become “rough”.

Miele dryers have been designed to dry laundry free of static cling, without the use of dryer softener sheets or similar products. The dryer continuously monitors the moisture content of the laundry, and automatically shuts off the heat when the selected degree of dryness is reached. Through the use of a cool down period, (where the machine operates without heat), cool, static free laundry is the end result. Dryer softener sheets perform the same function by depositing a chemical residue on both the clothes and the interior of the dryer. Over time, this coating may lead to performance reductions in the dryer.

If fabric softening is desired, it is more convenient, economical and beneficial to the clothing if a liquid softener is automatically dispensed while the clothes are in the washing machine. Please see the washing machine operating instructions for directions on how to automatically dispense a liquid softener.

## **Notes:**

Knitted fabrics and flannel sheets tend to shrink when washed for the first time and also when dried. They should not be overdried (Extra dry)!

Starched laundry can also be dried in the tumble dryer.

Permanent press items should be briefly spun in the washing machine before drying. Items which are prone to creasing should not be dried in the “PERMANENT PRESS- Normal +” - Program.

Drip-dry shirts made of pure cotton may tend to crease, depending on the quality of their finish.

These items should be dried in a “Hand iron” program.

Permanent press fabrics tend to crease more as the size of the load increases. This is particularly true of very delicate fabrics. The load should be reduced to 1.5 kg or, if necessary, to 1 kg.

Do not dry new dark-colored fabrics together with light-colored items as they may discolor.

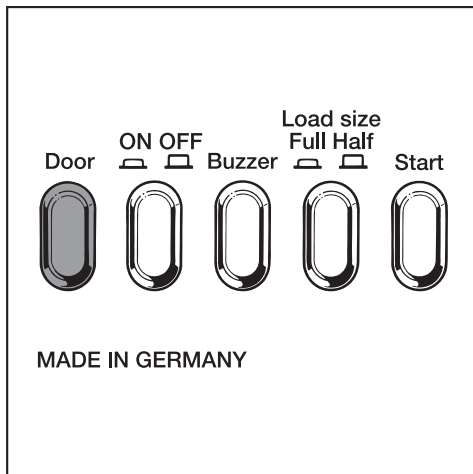
# Program selection

---

## Functional description

An electronic sensor system monitors the moisture content of the laundry. Once the required degree of dryness is reached, cold air then enters the drum to cool the laundry. The drying program is then terminated.

## Function of the pushbuttons



- **Door**  
This button is used to open the door.
- **ON/OFF**  
When the machine is turned on, the "On" indicator lamp illuminates when the door is closed. When the door is open, the drum is illuminated.
- **Buzzer**  
When activated, the buzzer will sound as the drum rotates during the anti-crease cycle.

- **Load size - Full / Half**  
To dry a standard size load of 2,3 kg or more at peak efficiency, press this button before starting the drying cycle.
- **Start**  
Starts the selected program.

## “PROGRAM SEQUENCE” indicator

The program sequence indicator lamps show the current status of the drying program.

## “DRYING STAGE REACHED” indicator

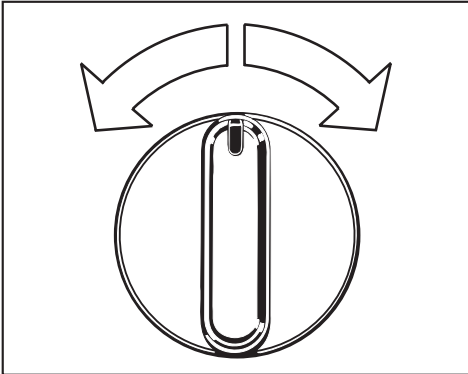
This indicator shows which drying stage the program has reached.

## “PROGRAM SETTING” selector

There is a range of settings for both “Cottons” and “Permanent Press”. In addition, items can be either dried for 20 minutes (incl. a cooling-down phase lasting 8 mins.) or fluffed in cool air for 15 minutes.

## To select a program

- A program can only be selected when the machine is turned on.



- Set the desired program by turning the program selector either clockwise or counterclockwise.
- Press the “Start” button.

The program status will be stored for 30 minutes in the event of a power failure.

## The program is cancelled if

- There is a power failure lasting more than 30 minutes.
- The program has already reached the “Cooling down” or “Anti-crease” stage.

## To change a program during drying

- Set the program selector to the desired program.

The new program will start from the beginning.

The tables on the following pages lists the range of applications for the different programs.

## Correct procedure

- 1 Press the “On/Off” button.
- 2 Press the “Door” button and load the drum.
- 3 Close the door with a firm swing - do not push it shut.
- 4 If drying a standard load, press the “Load size” button.
- 5 Select a program.
- 6 Press the “Start” button.

## After the program has finished

- 1 Set the program selector to “Finish”.
- 2 Remove the laundry.
- 3 Clean the lint filter.
- 4 Turn off the machine.

# Programs

<b>COTTONS</b>	<b>Type of laundry/fabric</b>	<b>Max. load</b>	<b>Special instructions</b>
<b>Extra dry</b>	Multi-layer fabrics, mixed load of cotton fabrics, e.g. jeans, towels, sweatsuits.	5 kg	The "Extra dry" program should not be selected for jersey wear items.
<b>Normal</b>	Homogeneous loads of cotton fabrics e.g. flannel items, underwear, socks.	5 kg	Should items still be damp, select the "Extra dry" program.
<b>Normal- *</b>	Knitted cotton fabrics particularly susceptible to shrinkage, e.g. jersey wear or lightweight cotton fabrics.	5 kg	Should items still be damp, select the "Normal" program.
<b>Hand iron <math>\Delta\Delta</math> *</b>	Cotton or linen fabrics, e.g. linens, bedding, starched items left damp for easier ironing.	5 kg	Moisture can be increased or decreased by using "Hand iron $\Delta\Delta$ " or "Hand iron $\Delta$ " respectively.
<b>Machine iron</b>	Cotton or linen fabrics, including starched laundry, for the rotary iron, (B865E).	5 kg	The laundry can be rolled up to prevent it from drying out until it can be ironed.

\* These are the programs that should be tested according to the EN 61121/A11 Standard.

<b>PERMANENT PRESS</b>	<b>Type of laundry/fabric</b>	<b>Max. load</b>	<b>Special instructions</b>
<b>Normal +</b>	Permanent press items made of synthetic or blended fabrics, e.g. pullovers, dresses, pants, etc., which are not dried adequately in the "Normal" program.	2.5 kg	With blended fabrics consisting of wool and synthetics, consult the manufacturer's instructions, as the wool component may cause the fabric to become matted and shrink.
<b>Normal *</b>	Permanent press shirts, table cloths, bedding etc. made of blended woven or knitted fabrics, e.g. cotton/synthetic.	2.5 kg	
<b>Hand iron</b>	Permanent press shirts, table cloths, pillowcases etc. cotton/synthetics, which are still to pressed.	2.5 kg	

\* This is the program that should be tested according to the EN 61121/A11 Standard.

<b>TIMED DRYING</b>	<b>Type of laundry/fabric</b>	<b>Max. load</b>	<b>Special instructions</b>
<b>warm</b>	Individual items, e.g. comforters, or very small loads.	-	This setting will run the full length of time regardless if the item is dry beforehand.
<b>cool</b>	Items which are only to be aired.	5 kg	-

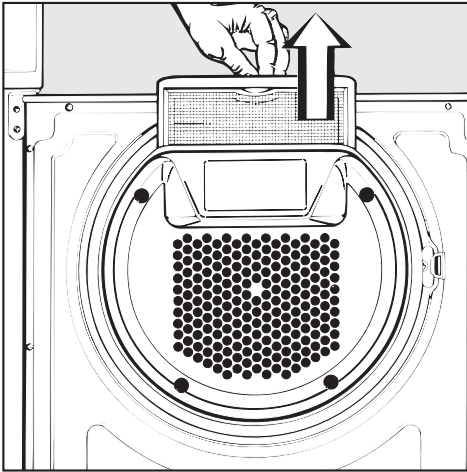
# USER MAINTENANCE INSTRUCTIONS

## Cleaning and care

### Cleaning the lint filters

The lint is collected by the lint filter in the door.

- Clean the filter after every program.



- Grip the filter by the recessed handle and pull up to remove.
- Any remaining lint in the hollow part of the door can be removed through the gap at the bottom.

The lint filter can be rinsed with water if necessary.

- Dry the lint filter before putting it back in place.

## Cleaning the dryer

Before cleaning the tumble dryer; disconnect the machine from the power supply.

- The dryer can be cleaned using soapy water or a mild detergent (**not** scouring powder) and dried with a soft cloth.
- The drum may be cleaned using a suitable stainless steel cleaner following the manufacturer's instructions.

The machine must never be hosed down. Do not use any abrasive substances or scouring pads to clean the machine.

Electrical appliances should only be repaired by qualified personnel. Incorrectly repaired machines may put the user at risk. There are, however, minor problems which can be corrected without contacting the Service Department.

<b>What to do if, . . . ?</b>	<b>Cause . . .</b>	<b>Remedy . . .</b>
<b>. . . the tumble dryer fails to start when turned on?</b>	<p>Check whether the "On" indicator lights up. If so, failure to start may be due to an incorrect program selection procedure.</p> <p>If the "On" indicator lamp does not illuminate, check that:</p>	<p>Repeat the switch-on procedure in the correct sequence, as outlined in the "Program Selection" chapter.</p> <ul style="list-style-type: none"> <li>– The "ON/OFF" button is depressed.</li> <li>– The door is properly closed.</li> <li>– The machine is plugged in and the fuse or circuit breaker has not tripped.</li> </ul>
<b>. . . the laundry is not sufficiently dry?</b>	The load consists of dissimilar items (size and fabrics).	Select a longer drying program.
	Small loads or individual items may cause the program to terminate the cycle prematurely.	Small loads can be time-dried.
<b>. . . the drying times are too long?</b>	The lint filter is clogged.	Clean the lint filter in the door.
	The laundry was not spun in the washer for a sufficient time.	Make sure that the laundry is thoroughly spun before drying.
<b>. . . the "anti-crease" indicator lamp in the sequence indicator display starts flashing?</b>		<ul style="list-style-type: none"> <li>– Turn the program selector to "finish".</li> <li>– Turn the machine off and then on again.</li> <li>– Select a program.</li> <li>– Press the "Start" button.</li> </ul> <p>If the indicator lamp starts flashing again, this indicates a fault in the machine. Please contact the Miele Service Dept.</p>

# Problem solving guide

<b>What to do if, . . . ?</b>	<b>Cause . . .</b>	<b>Remedy . . .</b>
<b>. . . the drum door opens during the drying cycle?</b>	<p>The machine has overheated. The temperature limiter opened the drum door and caused the machine to turn off automatically.</p> <p>Possible reasons for overheating:</p> <ul style="list-style-type: none"> <li>- The lint filter in the door is clogged.</li> <li>- The vent duct is blocked.</li> <li>- The vent aperture (e.g. louvered window vent, wall vent) is blocked.</li> </ul>	<p>Before restarting the program, proceed as follows:</p> <ul style="list-style-type: none"> <li>- Release the ON/OFF button.</li> <li>- Clean the affected part of the machine.</li> <li>- Turn on the machine again.</li> <li>- Reselect the terminated program.</li> <li>- Press the "Start" button.</li> </ul> <p>If the drum door opens again, the Miele Service Dept. should be contacted.</p>
<b>. . . the interior drum light fails to function?</b>		See next page.
<b>. . . you have to open the door in the event of a power failure?</b>		See next page.

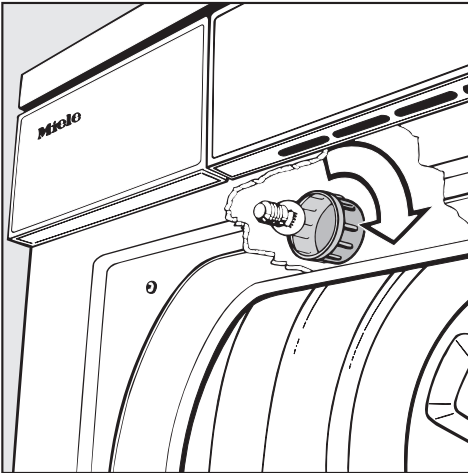


## The interior drum light fails to function: The bulb may be defective.

Replace it as follows:

Turn off the machine or disconnect it from the power supply.

- Open the door.



- Unscrew the plastic bulb cover located inside the drum and above the door (see illustration).

The light bulb must not exceed the maximum wattage quoted on the data plate.

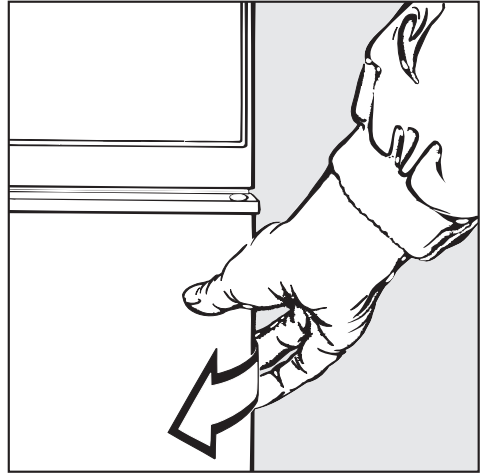
- Replace the bulb and the plastic cover.

The cover must be correctly installed and tightened, otherwise moisture may seep in and cause the socket to corrode.

This is a temperature-resistant bulb and should only be ordered from your Miele Service Dept.

## To open the door in the event of a power failure

- Pull forward on the un-hinged side of the door.



## After-sales service

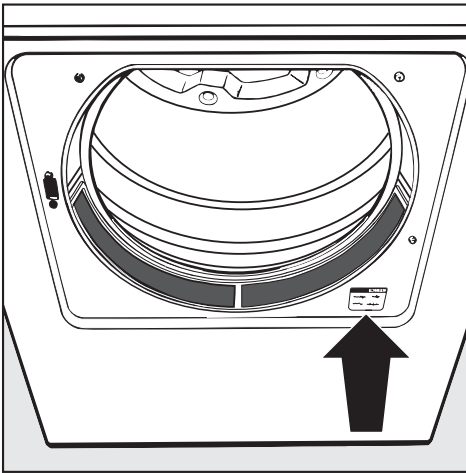
---

In the event of problems which cannot be solved, please contact:

- Your Miele Dealer
- The nearest Miele Service Department (see back cover for the address).

When contacting the Service Department, please quote the Model and Serial numbers of your appliance, both of which can be found on the right side after the door is opened.

### Specimen:



## Grounding and Electrical connection

### Grounding instructions

#### **This appliance must be grounded.**

In the event of a malfunction, grounding will reduce the risk of electric shock by providing a path of least resistance for the electric current. This appliance is equipped with a cord having an equipment grounding conductor and a grounding plug. The plug must be plugged into an appropriate outlet that is properly installed and grounded in accordance with all local codes and ordinances.

### Warning

Improper connection of the equipment-grounding conductor can result in a risk of electric shock. Check with a qualified electrician or serviceman if you are in doubt as to whether the appliance is properly grounded. Do not modify the plug provided with the appliance; if it will not fit the outlet, have a proper outlet installed by a qualified electrician.

## Electrical connection

This installation should be done by an experienced and qualified person, in most cases a licensed electrician, in accordance with local codes and regulations.

This dryer is supplied with a 1.5 m power cord with a 3-pole, 4 wire grounding plug, 14-30P (regular Canadian dryer plug). This plug has to be plugged into a 3-pole, 4 wire grounding receptacle, 14-30R (regular Canadian dryer receptacle). The receptacle has to be connected to Line 1, Line 2, Neutral and Ground wires. The voltage is 120/240 V AC or 120/208 V AC.

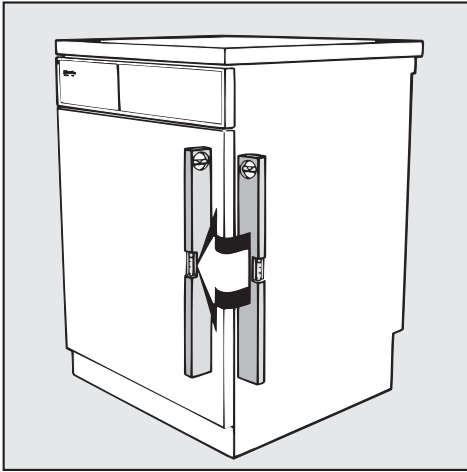
### “EASY INSTALLATION KIT”

If you do not have a designated line, 4 wire, 120/240 V – 15 or 30 Amps, for this appliance, but you have the 4 wire, 120/(208)240 V – 30 Amp Canadian dryer wall receptacle (14-30 R) you can use the Miele Double Receptacle Box. This consists of two standard receptacles 14-30 R, 4 fuses, box and plug cord, which allows you to use that single dryer wall receptacle to supply power to a Miele washer and Miele dryer. Both machines may operate at the same time because each uses maximum about 15 A current.

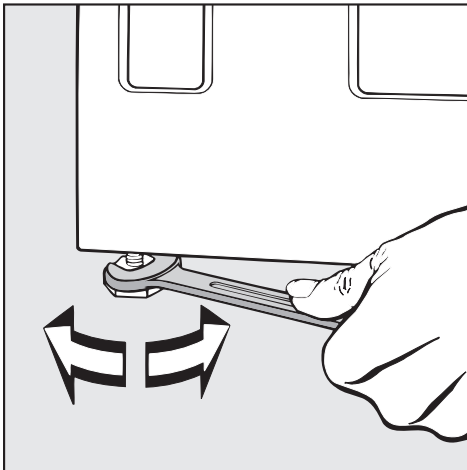
For more information on the electrical connection on the Miele Double Receptacle Box please contact:

- your Miele dealer
- the nearest Miele Service Department.

# Installation



The machine should be level to ensure safe and proper operation. Minor discrepancies do not, however, have an adverse effect on operation.



- The machine can be leveled by turning the legs clockwise or counter-clockwise as necessary.
- Turn the counternuts up and tighten against the bottom.

## Where to install the machine

The space required by the vent duct should be taken into consideration when calculating the distance between the machine and a wall or other appliances.

The tumble dryer can also be placed on top of a Miele washing machine for a stacked installation.

An appropriate stacking kit is required and can be obtained from your Miele dealer, or the Miele Parts Dept.

The moist air from the dryer must be vented to the outside.

The appliance should not be vented into a chimney, a wall, a ceiling, or any concealed spaces of the building.

### When installing, try to avoid:

- very long venting systems
  - too many bends or angles
  - tight corners
- otherwise . . .  
. . . the drying result will be affected,  
. . . drying will take longer and use more energy.

### Materials suitable for venting:

- rigid metal pipe
- flexible metal pipe

Install the venting in such a way that the expelled air cannot be drawn into the machine.

Do not vent the dryer into a flue used by gas or fuel boilers or heaters.

A vent connector is included as standard. It should be pressed into the vent outlet and will enable the connection of exhaust pipe.

Before installation, disconnect the tumble dryer from the electrical supply, (unplug from the wall socket, or isolate at the main fuse box).

### The exhaust connection can be made:

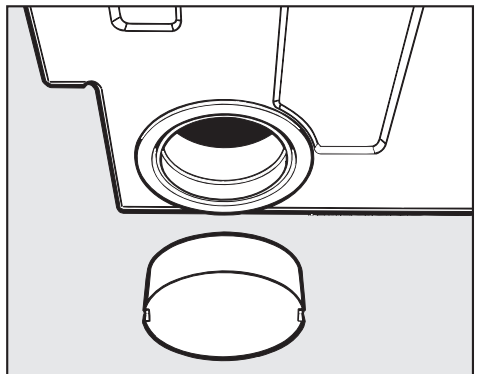
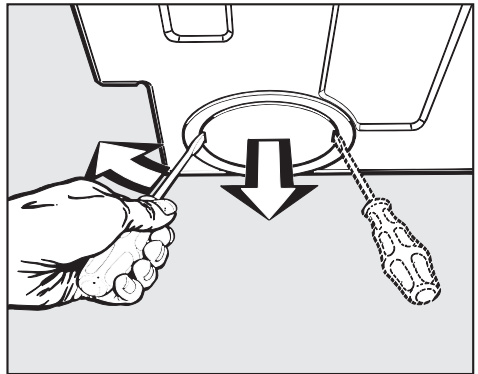
- at the rear or
- at the left or right side of the machine

### Installation at the rear

The machine comes supplied with the connector installed on the rear exhaust port.

### Installation at the left or right side of the machine

Each side exhaust port has a framed exhaust cap.



- Only the cap should be removed, and not the frame.
- Exchange the rear exhaust connector for the side cap, and vice versa.
- Install the exhaust pipes.

# Installation - venting

The shorter the exhaust ductwork, the more efficient the dryer will be. Expelled air is slowed down in the ducts due to friction against the inner walls, therefore the shorter and smoother the inner walls are, the less friction will occur.

An elbow or bend creates more friction than a straight duct. An additional duct length factor must therefore be added for each elbow or bend (see Table I).

This factor expresses the resistance of the bend in terms of a straight length of duct.

The additional length factor is then added to the measured duct length to give the effective duct length.

A larger duct diameter also helps to reduce friction. The duct diameter should therefore be increased with increasing duct length.

- Measure the actual duct length.
- Establish the number of elbows or bends necessary, noting the type of bend, angle and radius involved (see Table I).
- Add the additional length factor as specified in Table I to the actual duct length to give the effective duct length.
- The necessary duct diameter should then be found in Table II.

## Note:

Drying times and energy consumption remain unaltered for 100 mm duct up to a total length of 10 m.

Longer duct may lead to slight increases in drying times and energy consumption but will not impair the function of the machine as long as the necessary duct diameter is used (see Table II).

## To calculate the effective duct length.

**Tabel I**

Type of bend	Angle	Radius in mm	Additional duct length in m
Flexible metal piping	90°	100-300	0.5
	90°	300-500	0.4
	45°	100-500	0.4
Plain piping	90°	100	0.4
Elbow			2.5
Concertina bend	90°	200	0.8
Segmented bend	90°	200	0.6
Wall vent kit with louvres, or window vent kit			3.8
Wall vent kit with flap, or window vent kit			1.5
Exhaust connection, left/right side			6/10
Flat section adaptor			8

**Table II**

Effective duct length (m)	Internal diameter or edge length (mm)
0-20	100
20-30	110
30-43	120
43-60	130

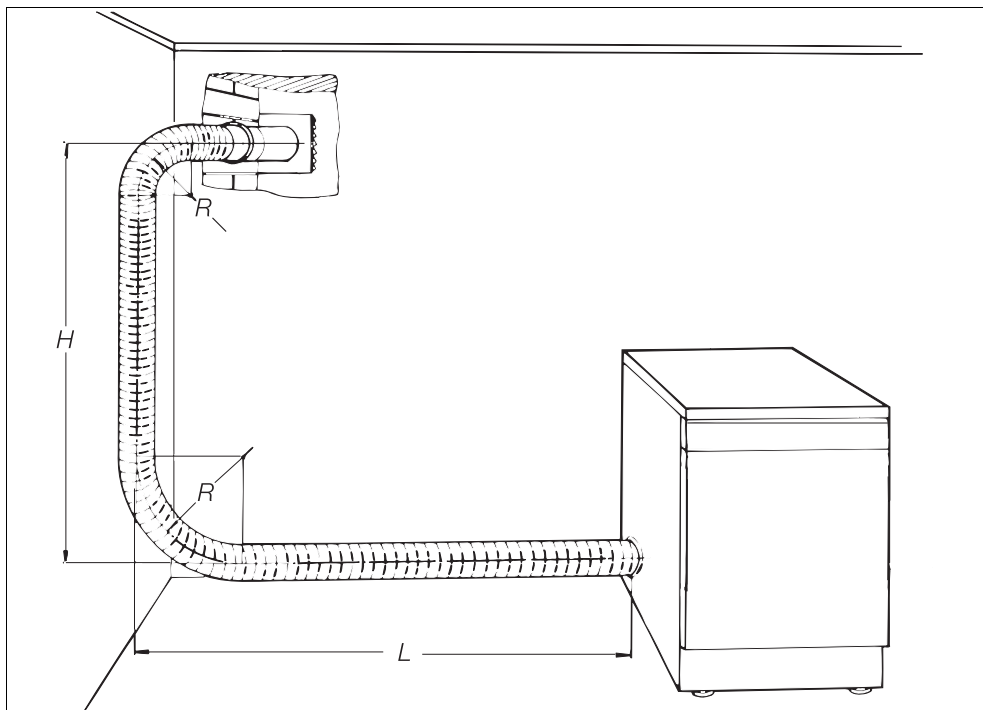
Flexible ducting has been used for the following example.

**Example:**

Exhaust connection, left . . . . .	6.0 m
Length (L) . . . . .	0.6 m
Lower radius (R = 400 mm) . . . . .	0.4 m
Height (H) . . . . .	1.5 m
Upper radius (R) . . . . .	0.5 m
Wall pipe with louvred vent . . . . .	<u>3.8 m</u>
Effective duct length . . . . .	<u>12.8 m</u>

**Result:**

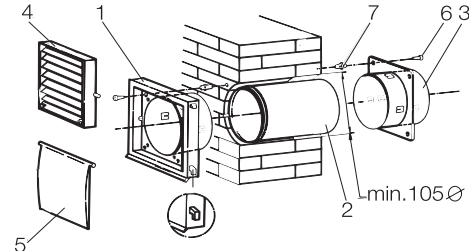
A duct diameter of 100 mm is adequate since the effective length is less than 20 m as specified in Table II.



# Installation - venting

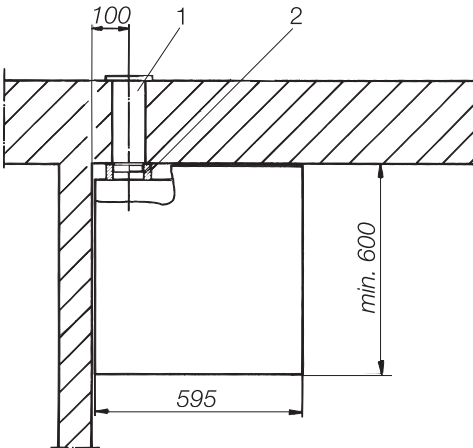
Moist air can be ducted outside by a wall vent or window vent, both of which are available from most hardware stores.

## Wall vent kit - example



1. Louvred wall vent frame
2. Wall vent duct
3. Adapter
4. Louvred wall vent
5. Flap
6. Screw
7. Wall anchor

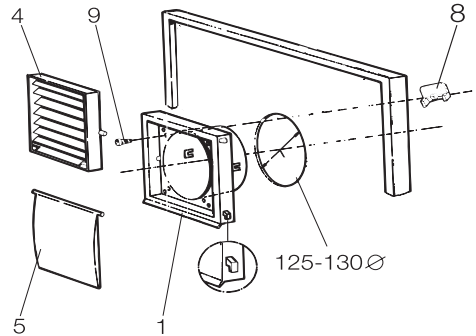
## Dryer-top view:



1. Wall pipe
2. Flexible foam-gasket

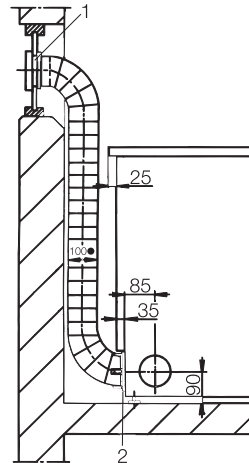
A flexible foam gasket must be used if the tumble dryer is directly connected to the wall vent.

## Window vent kit - example



1. Louvred window vent frame
4. Louvred window vent
5. Flap
8. Clips (4 pcs.)
9. Raised head screws (4 pcs.)

## Dryer-side view:



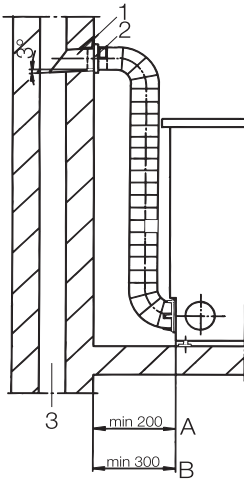
1. Window vent kit
2. Adapter for vent duct

The window vent kit is installed into in a plexi-glass pane. If using an existing glass pane, cut a hole with a diameter of 125 mm.



**Fig. 1**

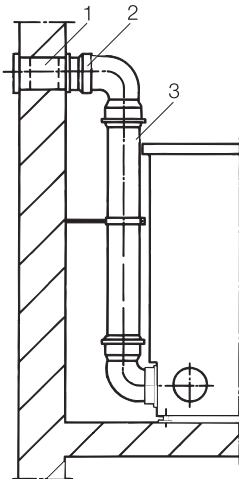
Ducting (side view) with flexible vent hose to an exhaust flue.



1. Wall vent duct    A. Wire spiral-wound hose
2. Adapter            B. Flexible ducting
3. Flue insulated against damp

**Fig. 2**

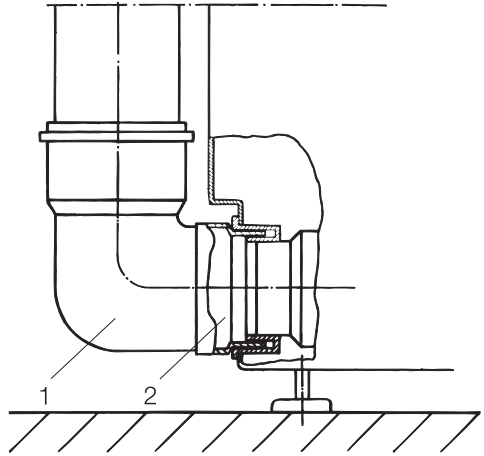
Ducting (side view) with plastic piping to a wall vent kit.



1. Wall vent kit
2. Adapter
3. Drain pipe (outer dia. 110 mm)

**Fig. 3**

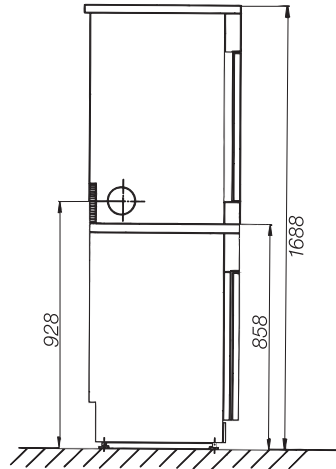
Connection of piping to the tumble dryer.



1. Drain pipe
2. Adapter for vent duct between tumble dryer and plastic drain pipe

**Fig. 4**

Height of vent outlet for washer dryer stack.



# Consumption data

	load	Final spin speed in washer*	Electrical consumption	Drying time incl. cooling down time
	kg	rpm	kwh	mins

## Cottons

<b>Extra dry</b>	5	1200	3.32	71
		1400	3.16	68
		1550	3.06	66
<b>Normal</b>	5	1200	3.06	66
		1400	2.91	63
		1550	2.81	61
<b>Normal-</b>	5	800	3.35	75
		1200	2.63	61
		1400	2.49	59
		1550	2.40	56
<b>Hand iron</b> ☺☺	5	800	2.61	61
		1200	1.91	47
		1400	1.78	44
		1550	1.69	43
<b>Machine iron</b>	5	1200	1.59	39
		1400	1.46	36
		1550	1.36	35

## Permanent Press

<b>Normal +</b>	2.5	1000	1.48	37
<b>Normal</b>	2.5	1000	1.17	33
<b>Hand iron</b>	2.5	1000	1.07	29

The specified program running times and electrical consumption values were established under standard conditions (EN 61121/A11).

Different types of fabrics, load size and residual moisture after spinning may effect the specified values.

\*These values apply if the laundry is spun in a Miele washing machine before drying.

## Technical data

---

Height . . . . .	85 cm (adjustable +1/-0.5 cm)
Height with lid removed . . . . .	82 cm
Width . . . . .	59.5 cm
Depth (incl. distance from wall) . . . . .	without lid 56 cm with lid 60 cm
Weight . . . . .	49 kg
Drum volume . . . . .	99 l
Capacity . . . . .	5 kg dry laundry
Rated load . . . . .	2.7 kW
Fuse rating . . . . .	15 A minimum, or 30 A



## **Miele Limited**

### **Canadian Head Office**

55G East Beaver Creek Road

Richmond Hill

Ontario L4B 1E5

Phone: 905-707-1171

Toll-Free: 1-800-565-6435

Fax: 905-707-0177

Internet: [www.miele.ca](http://www.miele.ca)

E-Mail: [info@miele.ca](mailto:info@miele.ca) (general enquiries)

E-Mail: [service@miele.ca](mailto:service@miele.ca) (technical service)

### **BC Regional Sales Office**

3731 North Fraser Way

Unit 200

Burnaby

British Columbia V5J 5J2

Phone: 604-434-1300

Fax: 604-434-1309

### **Quebec Regional Sales Office**

400 Laurier Avenue West

Suite 600

Montreal

Quebec H2V 2K7

Phone: 514-277-1818

Toll-Free: 1-877-636-4353

Fax: 514-277-1838

## Free Manuals Download Website

<http://myh66.com>

<http://usermanuals.us>

<http://www.somanuals.com>

<http://www.4manuals.cc>

<http://www.manual-lib.com>

<http://www.404manual.com>

<http://www.luxmanual.com>

<http://aubethermostatmanual.com>

Golf course search by state

<http://golfingnear.com>

Email search by domain

<http://emailbydomain.com>

Auto manuals search

<http://auto.somanuals.com>

TV manuals search

<http://tv.somanuals.com>