

Operating Instructions

Vented Dryer

T 1576

To prevent accidents
and machine damage
read these instructions
before installation or use.




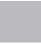












M.-Nr. 05 658 821

Contents

IMPORTANT SAFETY INSTRUCTIONS	3
Guide to the dryer	5
Before loading the dryer	7
Using the dryer	8
1. Turn on the dryer and load the laundry	8
2. Select a program	9
Programs	10
Drying options	11
3. Select a drying option (if needed)	11
Low energy	11
Turbo	11
Gentle	11
Buzzer	11
Using the dryer	12
4. Start the program	12
5. At the end of a program	12
Changing a program	13
Adding or removing laundry during a program	13
Safety lock	14
Dryer care	15
Cleaning the lint filter	15
Changing the light bulb	16
Power failure - Emergency door release	16
Frequently asked questions	17
Quick Guide	19
Quick Guide	20
After Sales Service	19
PC Update	19
IMPORTANT SAFETY INSTRUCTIONS	22
INSTALLATION INSTRUCTIONS	23
Disposal of the packing materials	23
Disposal of an old appliance	23
Level the dryer	24
Connect the ducting	29
Make the electrical connection	31

IMPORTANT SAFETY INSTRUCTIONS

 **WARNING** - To reduce the risk of fire, electric shock, or injury when using your appliance, follow basic precautions, including the following:

-  Read all instructions before using the appliance.
-  Do not dry articles that have been previously cleaned, washed, soaked in, or spotted with gasoline, dry-cleaning solvents, or other flammable or explosive substances. They give off vapors that could ignite or explode.
-  Do not allow children to play on or in the appliance. Close supervision is necessary when the appliance is used near children. Always close the door after use to prevent child hazards.
-  Before this appliance is removed from service or discarded remove the door to the drying compartment.
-  Do not reach into the dryer if the drum is moving.
-  Do not install or store this appliance where it will be exposed to the weather.
-  Do not tamper with the controls.
-  Do not use fabric softener sheets to eliminate static in the dryer. Best results occur when a liquid softener is used in the washing machine.
-  Do not use heat to dry articles containing foam rubber or similarly textured rubber-like materials and items containing, hairspray, nail polish remover or similar substances.
-  Clean the lint filter before or after each load.
-  Keep the area around the air intake (toekick) and adjacent surrounding areas free from lint, dust and dirt.
-  The interior of the machine and exhaust duct should be cleaned periodically by qualified personnel.
-  Do not place items exposed to oils in your dryer. Items contaminated with oils may contribute to a chemical reaction that could cause the laundry to catch fire.

IMPORTANT SAFETY INSTRUCTIONS

Do not repair or replace any part of the appliance or attempt any servicing unless specifically recommended in these Operating Instructions. Repairs to electrical appliances should only be performed by qualified personnel. Incorrectly repaired machines may pose a considerable risk to the user.

GROUNDING INSTRUCTIONS

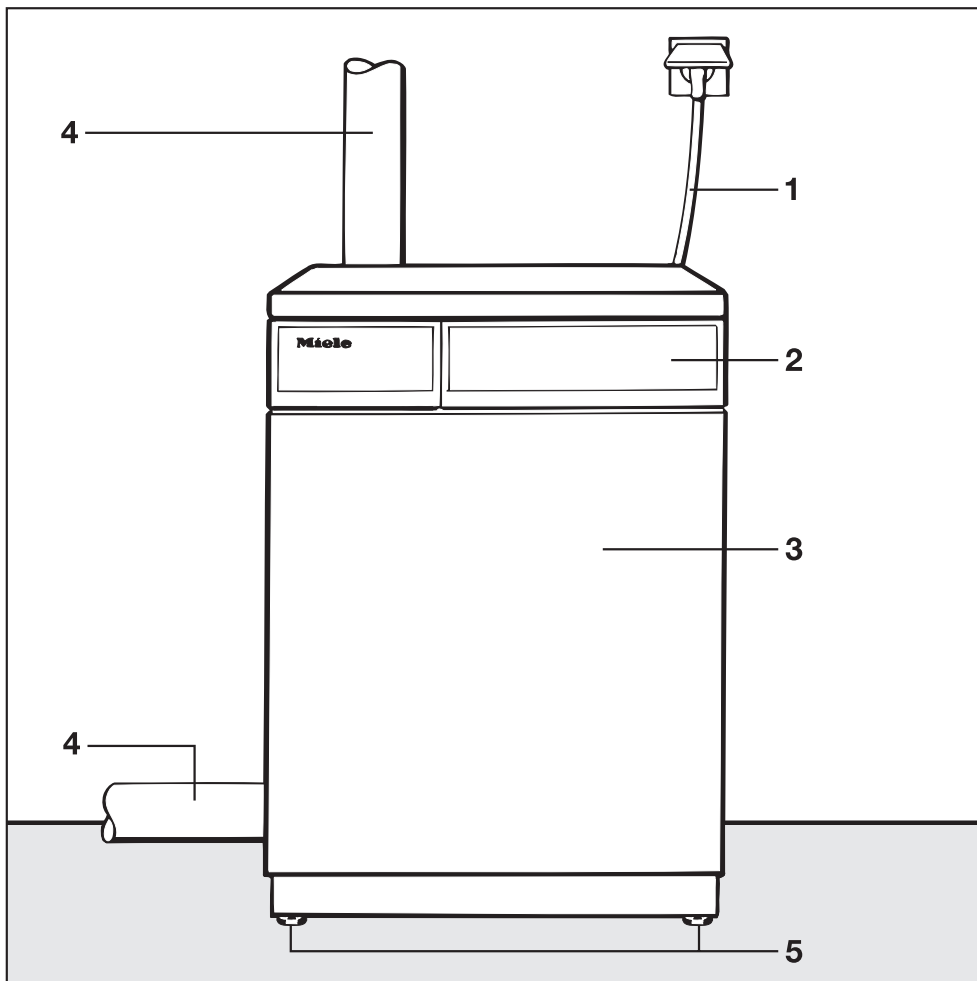
This appliance must be grounded. In the event of malfunction or breakdown, grounding will reduce the risk of electric shock by providing a path of least resistance for electric current. This appliance is equipped with a cord having an equipment grounding conductor and a grounding plug. The plug must be plugged into an appropriate outlet that is properly installed and grounded in accordance with all local codes and ordinances.

WARNING – Improper connection of the equipment grounding conductor can result in a risk of electric shock. Check with a qualified electrician or service representative or personnel if you are in doubt as to whether the appliance is properly grounded.

Do not modify the plug provided with the appliance: if it will not fit the outlet, have a proper outlet installed by a qualified electrician.

SAVE THESE INSTRUCTIONS

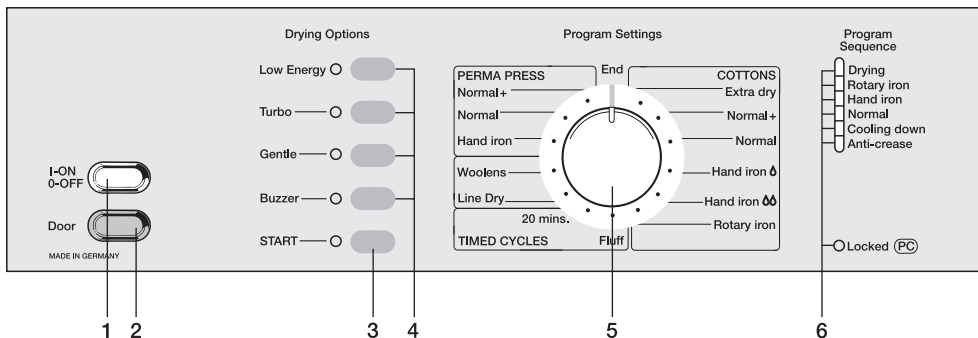
This dryer is intended for residential use only!



- 1** Power cord with plug
- 2** Control panel
- 3** Door
- 4** Exhaust connection (left or rear)
- 5** Four height adjustable screw feet

Guide to the dryer

Control panel



① "On/Off" button

Turns the machine on and off or cancels a program. If the dryer is turned on the drum interior will light when the door is opened.

② "Door" button

Opens the door or can be used to cancel a program.

③ "START" button

Begins the selected program. The indicator:

- flashes when the program can be started.
- illuminates once a program has started.

④ Drying options

⑤ Program selector

The program selector can be turned clockwise or counterclockwise.

The light ring goes off:

- if a program is not selected after turning the machine on or if the program was not started.
- a few minutes after the end of a program.

⑥ Program sequence display




shows the current cycle of the drying program.

Before loading the dryer

The appliance must be correctly installed and connected before the first use. Please see the "Installation instructions".

- Check the dryer drum for any residue that may have deposited during the manufacturing process. If necessary clean out with a cloth.

Before drying, check fabric care labels for special drying instructions.

-  = Dry with normal temperature
-  = Dry with low temperature (select "Gentle" option)
-  = do not dry in tumble dryer

If no symbol is present:

Dry cottons and permanent press laundry in their corresponding programs.

Dry delicate fabrics like polyester, in the "PERMA PRESS" program with the "Gentle" option.

Dry wool and wool blends in the "Woolens" program.

Dry pure linen and down filled items in the "Line Dry" program.

Drying tips

Knitted fabrics and flannel tend to shrink when washed and dried for the first time. Do not over dry these fabrics.

Permanent press and delicate fabrics tend to crease.

For better drying results reduce the load size and select the "PERMA PRESS/Hand iron" program.

To prevent discoloration, do not dry new dark-colored fabrics with light-colored items.

Do not overload the drum!

Overloading the dryer will result in poor drying and wrinkling.

Close zippers and tie up fabric belts and apron ties.

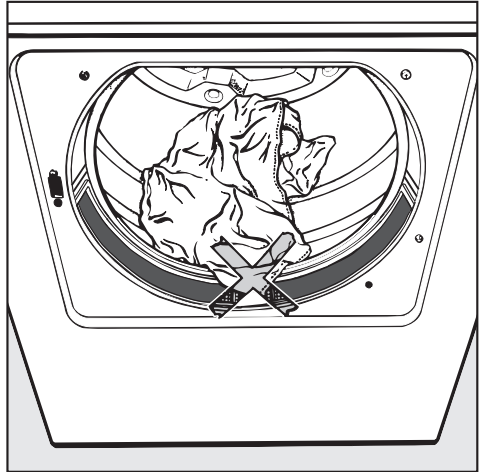
Do not dry items that may melt or ignite in the dryer such as plastics, rubber or sneakers.

Using the dryer

1. Turn on the dryer and load the laundry

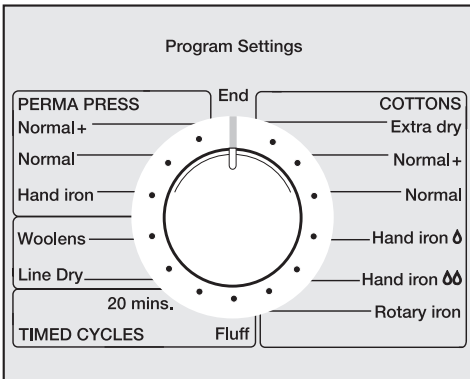
- Press the "On/Off" button to turn on the dryer.
- Press the "Door" button to open the door.
- Load the laundry loosely into the drum.
- Close the door with a firm swing - do not push it shut.

Do not use fabric softener sheets in this dryer. Silicates contained in these sheets could cause the dryer to overheat.



To prevent fabric damage, check that laundry will not be caught in the closed door.

2. Select a program



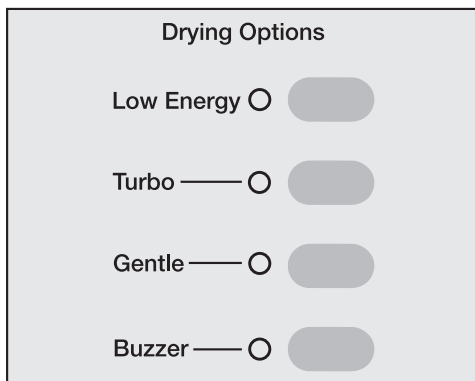
- Turn the program selector clockwise or counterclockwise to the desired program.

Please refer to the "Programs" chart.

Programs

Program	Fabric	Note
COTTONS		
Extra dry	For drying laundry that will be stored away, such as linens or seasonal clothing.	The "Extra dry" program should not be selected for jersey materials. Items may shrink.
Normal+	Uniform loads of cotton e.g. sheets, underwear, socks.	-
Normal	Knitted cotton fabrics that may shrink, e.g. jersey material or lightweight cottons.	If items are still damp, redry using "Normal+".
Hand iron Δ	Cotton or linen fabrics to be left damp for easier ironing.	-
Hand iron $\Delta\Delta$		If fabrics are too damp for ironing, redry using "Hand iron Δ ".
Rotary iron	Cotton or linen fabrics, which will be ironed with a rotary iron.	To prevent moisture loss, roll up the laundry until ironing.
PERMA PRESS		
Normal+	Permanent press items.	
Normal	Permanent press and blended fabrics made of blended woven or knitted fabrics, e.g. cotton/synthetic.	
Hand iron	Permanent press and blended fabrics, requiring an ironed finish.	Reduce load size for fabrics that wrinkle easily.
TIMED CYCLES		
20 mins.	Individual items or very small loads.	-
Fluff	Individual items to be freshened and fluffed with cool air.	-
Special programs		
Woolens	Wool and wool blend fabrics	Take items out immediately after the end of the program while still slightly damp. Allow items to air dry.
Line Dry	Program for reducing creasing cotton, linen or permanent press fabrics made of cotton, blends or synthetics.	

3. Select a drying option (if needed)



- Select the option before starting a program by pressing the respective button.

Indicator light:

on = dry option selected

off = dry option not selected

Some drying options are not available in all programs. The dryer will not allow you to choose an option that will conflict with the selected program.

Low energy

For drying temperature sensitive fabrics.

The program running time will be extended.

Turbo

Fast drying for sturdy fabrics with increased temperature and air flow.

Do not dry delicate fabrics with this option.

Gentle

For drying delicate fabrics at a lower temperature and extended time.

Buzzer

A tone will sound at the end of a program.

The volume of the buzzer can be adjusted:

1. Select a program.
2. Press the "Buzzer" button, until you hear the desired volume.
3. Release the "Buzzer" button to set the volume. Start the program.

Using the dryer

4. Start the program



- Press the "START" button.

5. At the end of a program

The "Anti-crease/End" indicator will light at the end of a program.

- Turn the program selector to "Finish".
- Press the "Door" button to open the door.
- Remove the laundry.
- Check that the drum is empty.
- Clean the lint filter after each use (see "Cleaning and care".)
- Press the "On/Off" button to turn off the dryer.

Changing a program

Once a drying program has started, changes to the program and any selected drying options can only be made by cancelling the current program.

To cancel the current program:

- Turn the program selector to "End".

When the program has been canceled the "Anti-crease/End" indicator lights.

- Turn the program selector either clockwise or counterclockwise to the new program.
- Select any desired drying options.
- Press "START".

Adding or removing laundry during a program

- Press the "Door" button.

Once the door pops open, laundry can be added or removed.

- Close the door and press "START" to continue drying.

Safety lock

Child safety lock

When activated, the safety lock prevents the dryer from being operated by locking the control panel functions.

To activate the child safety lock

1. Close the door and turn the program selector to "End".
2. Turn on the dryer using the "On/Off" button.
3. Press and hold the "Turbo" button while performing steps 4. to 6.
4. Turn the program selector slowly step by step clockwise to "COTTONS/Normal".
5. Turn the program selector slowly step by step counterclockwise to "End".
6. Turn the program selector slowly step by step counterclockwise to "PERMA PRESS/Hand iron".

The "Locked" indicator will flash.

7. Release the "Turbo" button.

The child safety lock function is now activated.

8. Turn off the machine using the "On/Off" button.

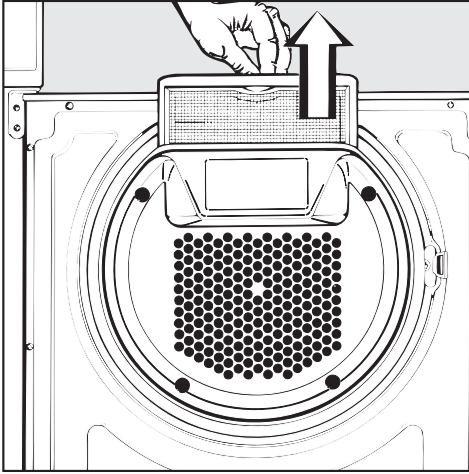
To deactivate the child safety lock

- Repeat steps 1 to 7.

The "Locked" indicator will go out after step 6.

Cleaning the lint filter

The lint filter must be cleaned before or after every program.



- Open the door and remove the lint filter.
- Wipe the lint off the filter with your hand, do not use any sharp objects!
- Any lint remaining in the hollow part of the door can be removed through the gap at the bottom with a dust brush or vacuum.
- Return the lint filter and close the door.

The lint filter can be rinsed with hot water if necessary.

- Dry the lint filter before putting it back in place.

Before cleaning the tumble dryer, disconnect the machine from the power supply. Never use abrasive cleaners, scouring pads, steel wool or caustic (oven) cleaners on the dryer. They will damage the surface.

Cleaning the exterior and the control panel

- The exterior and the control panel can be cleaned with warm water and liquid dish soap applied with a soft sponge.
- Wipe dry using a soft cloth.

Cleaning the drum and stainless steel parts

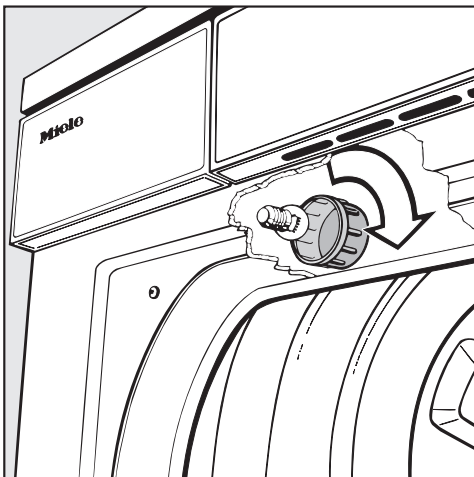
- Stainless steel surfaces can be cleaned using a non-abrasive stainless steel cleaner.
- Wipe dry using a soft cloth.

Dryer care

Changing the light bulb

WARNING

To reduce the risk of electric shock, disconnect this appliance from the power supply by unplugging or tripping the circuit breaker.



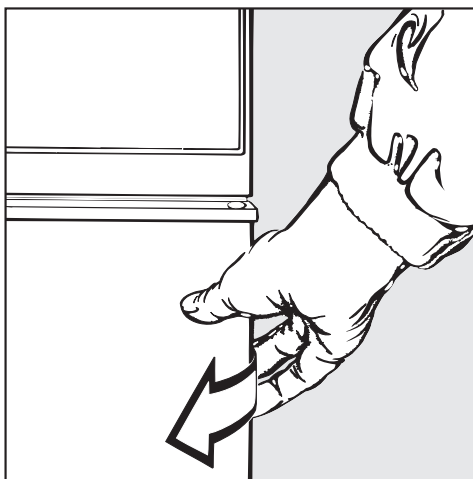
- Unscrew the plastic bulb cover located inside the drum and above the door (see illustration.)
- Replace the light bulb with a temperature proof bulb (part # 02 150 900) available from Miele's Technical Service Department.

The light bulb must not exceed the maximum wattage quoted on the data plate.

- Refit the plastic bulb cover.

Take care that the bulb cover is tightened into place. Otherwise moisture may penetrate the socket and cause a short circuit.

Power failure - Emergency door release



- Pull forward on the unHINGED side of the door.

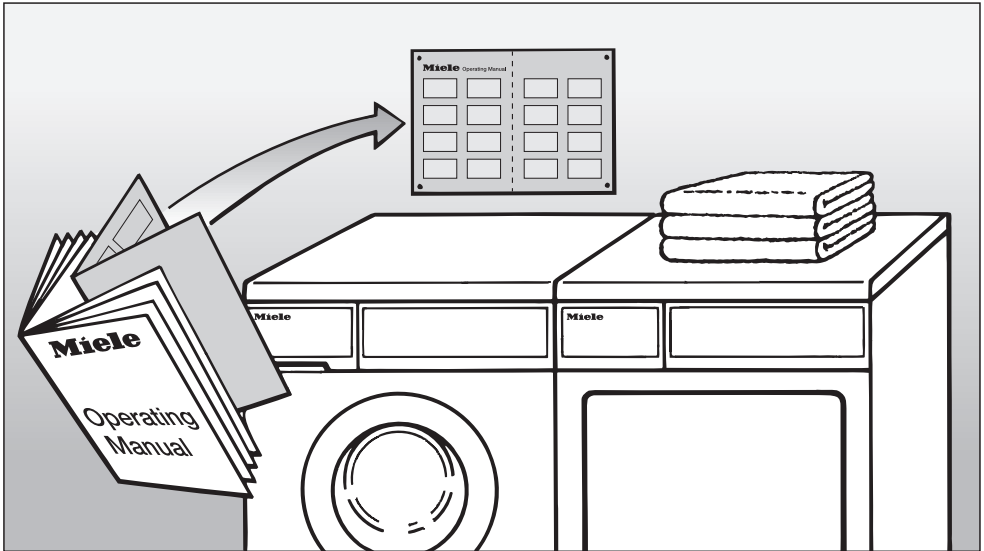
Frequently asked questions

With the following guide, minor problems can be fixed without a service call.

What if . . .	Possible fault	Fix
. . . the dryer fails to start when turned on?	If the "On" indicator is lit you may not have selected the program properly.	Reselect the program in the correct sequence, see "Using the dryer".
	If the "On" indicator is not lit, check that:	<ul style="list-style-type: none"> – The "ON/OFF" button is pressed in. – The door is properly closed. – The machine is plugged in and the fuse or circuit breaker has not tripped.
. . . the laundry has static cling?		Add fabric softener to the final rinse of the wash to reduce static cling.
. . . the laundry is not dry enough?		Select a more intensive program or the "Turbo" option.
. . . the program runs too long?	The air supply is insufficient.	Open a window or door to increase air flow.
	The air can not be vented properly.	– Clean the lint filter.
		– Check and clean the exhaust vent for clogs.
The laundry was not spun sufficiently in the washer.	Spin laundry thoroughly before drying.	
. . . the light ring does not light?	A program was not selected or the selected program has ended.	Select a program.
. . . the drum light does not come on?	The bulb may be bad or burned out.	Change the light bulb. See "Cleaning and care".

Frequently asked questions

What if . . .	Possible fault	Fix
. . . the "Locked" indicator flashes after turning the dryer on?	The child safety lock is activated.	Deactivate the safety lock. See "Child safety lock".
. . . the "Locked" indicator lights during drying?	This is not a fault.	It will go off after the program has finished.
. . . the "Drying" indicator flashes?	The program selector was moved after the start of the program. This will not affect the program.	Turn the program selector back to the original setting. The indicator light will go out.
. . . the "Anti-crease / End" indicator flashes?	There may be a technical fault.	<ul style="list-style-type: none"> – Turn the dryer off and on. – Select and start the program. – If the indicator still flashes, there is a technical fault. Call the Miele Technical Service Department.
	Freezing temperatures may affect the dryer.	– Install the dryer in a warmer room.
. . . the program stopped and the "Anti-crease/End" indicator is lit?	Dry laundry or a single item will cause the dryer to stop.	Single items should be dried with a "Timed cycle" program.



Quick Guide

Remove this guide for easy reference

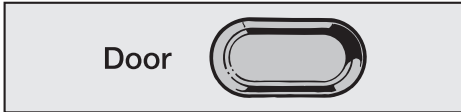
Please read all instructions, especially the "Important Safety Instructions", **before** using the dryer.

Quick Guide

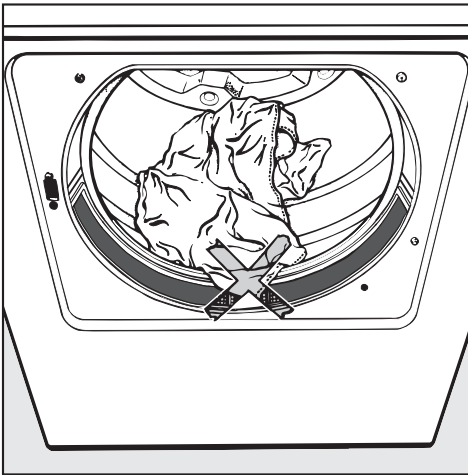
1. Turn on the dryer and load the laundry.



- Press the "On/Off" button to turn on the dryer.



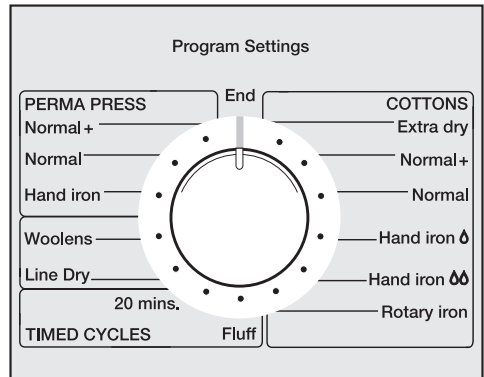
- Press the "Door" button to open the door.
- Load the laundry into the drum. Make sure that there is enough space in the drum for clothes to tumble freely.



To prevent fabric damage, check that laundry will not be caught in the closed door.

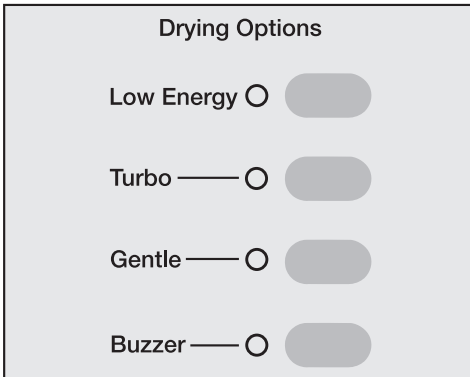
- Close the door with a firm swing - do not push it shut.

2. Select a program



- Turn the program selector clockwise or counterclockwise to the desired program.

3. Select a drying option (if needed)



- Press the button of the drying option you would like to select.

4. Start the program

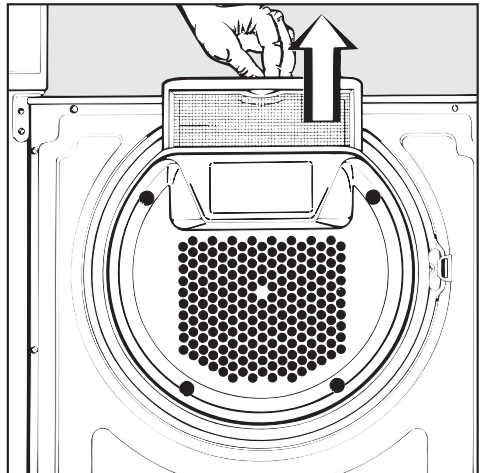


- Press "START".

5. At the end of a program

The "Anti-crease / End" indicator will light.

- Turn the program selector to "End".
- Press "Door" and remove the laundry.



- Clean the lint filter.
- Press the "On/Off" button to turn off the dryer.

Quick Guide

Program	Fabric	Note
COTTONS		
Extra dry	Multi-layer fabrics, mixed loads of sturdy cottons, e.g. jeans, towels.	The "Extra dry" program should not be selected for jersey materials. Items may shrink.
Normal+	Uniform loads of cotton e.g. sheets, underwear, socks.	-
Normal	Knitted cotton fabrics that may shrink, e.g. jersey material or lightweight cottons.	If items are still damp, redry using "Normal+".
Hand iron Δ	Cotton or linen fabrics to be left damp for ironing.	-
Hand iron $\Delta\Delta$		If fabrics are too damp for ironing, redry using "Hand iron Δ ".
Rotary iron	Cotton or linen fabrics, which will be ironed with a rotary iron.	To prevent moisture loss, roll up the laundry until ironing.
PERMA PRESS		
Normal+	Synthetic permanent press items made.	
Normal	Permanent press and blended fabrics made of blended woven or knitted fabrics, e.g. cotton/synthetic.	
Hand iron	Permanent press and blended fabrics, requiring an ironed finish.	Reduce load size for fabrics that wrinkle easily.
TIMED CYCLES		
20 mins.	Individual items or very small loads.	-
Fluff	Individual items to be freshened and fluffed with cool air.	-
Special programs		
Woolens	Wool and wool blend fabrics	Take items out immediately after the end of the program while still slightly damp. Allow items to air dry.
Line Dry	Program for reducing creasing cotton, linen or permanent press fabrics made of cotton, blends or synthetics.	

In the event of a problem which you cannot fix yourself, or to order spare parts please contact:

– Your Miele Dealer

or

– The Miele Technical Service Department

USA 1-800-999-1360
techserv@mieleusa.com

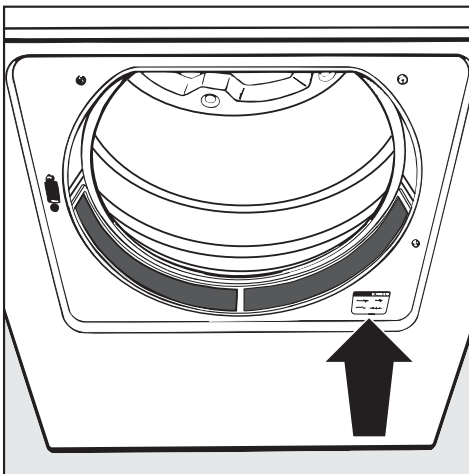
CDN 1-800-565-6435
service@miele.ca

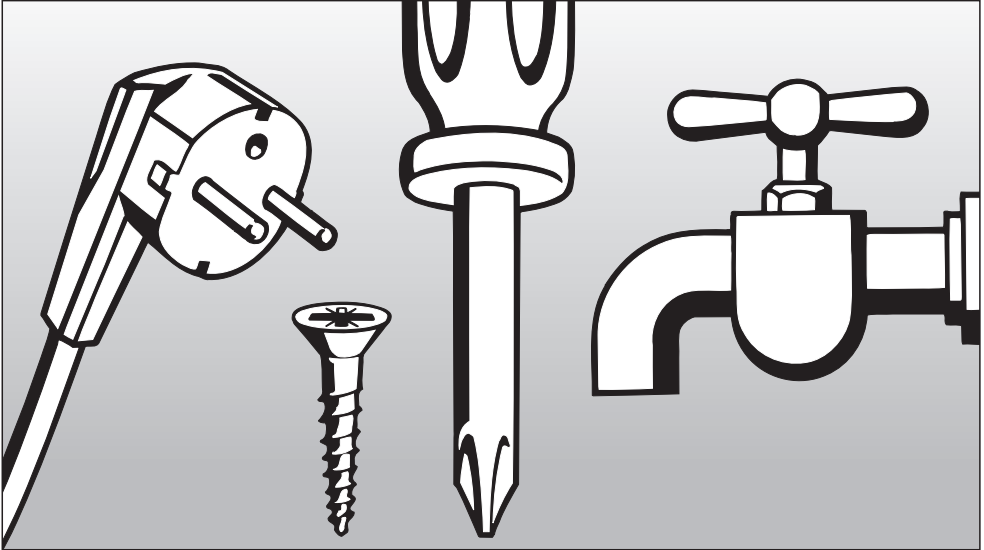
PC Update

The indicator marked PC allows a technician to update the dryer to make use of new technology.

For example, if new programs or fabrics are developed, a service technician will be able to modify the existing program cycles accordingly.

When contacting the Technical Service Department, please quote the model and serial number of your appliance. They can be found on the data plate located below the drum opening.





INSTALLATION INSTRUCTIONS

IMPORTANT SAFETY INSTRUCTIONS

■ Installation, repair and maintenance work should be performed by a Miele authorized service technician. Work by unqualified persons could be dangerous and could void the warranty.

■ Before installation, disconnect the tumble dryer from the electrical supply by shutting off the power main, unplugging the power cord or tripping the circuit breaker. Do not restore power until the installation is complete.

GROUNDING INSTRUCTIONS

■ This appliance must be grounded. In the event of malfunction or breakdown, grounding will reduce the risk of electric shock by providing a path of least resistance for electric current. This appliance is equipped with a cord having an equipment grounding conductor and a grounding plug. The plug must be inserted into an appropriate outlet that is properly installed and grounded in accordance with all local codes and ordinances.

■ **WARNING** – Improper connection of the equipment grounding conductor can result in a risk of electric shock. Check with a qualified electrician or service representative or personnel if you are in doubt as to whether the appliance is properly grounded.


■ Do not modify the plug provided with the appliance! If it will not fit the outlet, have a proper outlet installed by a qualified electrician.


■ This dryer must be vented outdoors. Observe local building codes.

■ Install the venting in such a way that the expelled air cannot be drawn back into the machine.

■ Do not vent the dryer into a chimney used by gas, fuel boilers, heaters, a fireplace chimney, a wall, a ceiling or a concealed space of a building.

■ If there is any doubt concerning installation, contact Miele's Technical Service Department.

 1-800-999-1360
techserv@mieleusa.com

 1-800-565-6435
service@miele.ca

Disposal of the packing materials

The cardboard box and packing materials protect the appliance during shipping. They have been designed to be biodegradable and recyclable.

To prevent suffocation ensure that any plastic wrappings, bags etc. are disposed of safely and kept out of the reach of children.

Please recycle.

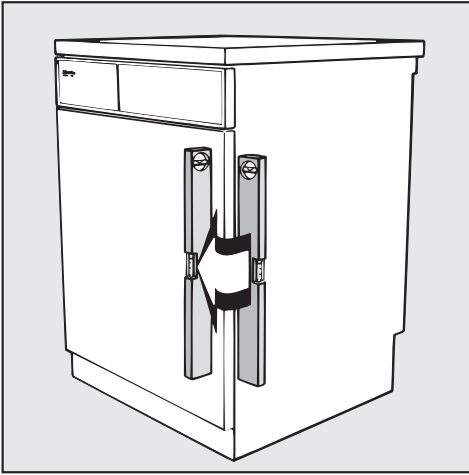
Disposal of an old appliance

Old appliances may contain materials that can be recycled. Please contact your local recycling authority about the possibility of recycling these materials.

Ensure that the appliance presents no danger to children while being stored for disposal. Before discarding an old appliance, unplug it from the outlet and cut off its power cord and remove any doors to prevent hazards.

INSTALLATION INSTRUCTIONS

Level the dryer

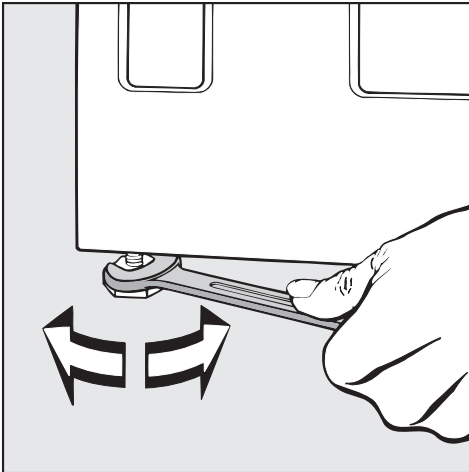


An air flow gap of $\frac{3}{8}$ " (10 mm) must be provided between the machine and the floor. This air flow gap must not be blocked by a toekick or thick piled carpets.

The tumble dryer can also be placed on top of a Miele washing machine for a stacked installation. An appropriate stacking kit is required.

The stacking kit, part # 12 996 026, is available from your Miele dealer or the Miele Technical Service Department.

The dryer must be level to ensure safe and proper operation. Minor discrepancies do not, however, have an adverse effect on operation.



- The machine can be leveled by turning the legs clockwise or counterclockwise as necessary.

Installation tips

- For best drying results, avoid extra long ducting with too many bends or angles. Avoid ducting in tight corners.
- Use flexible metal pipe or rigid metal pipe for venting. Non-metallic flexible hose should not be used since it is a potential fire hazard.
- The shorter the exhaust ductwork, the more efficient the dryer will be. Expelled air is slowed down in the ducts due to friction against the inner walls. The shorter and smoother the inner walls are, the less friction that will be created.

An elbow or bend creates more friction than a straight duct. An additional duct length factor must therefore be added for each elbow or bend (see Table 1.) This factor expresses the resistance of the bend in terms of a straight length of duct.

The additional length factor is then added to the measured duct length to give the effective duct length.

A larger duct diameter helps to reduce friction. The duct diameter should therefore be increased with increasing duct length.

INSTALLATION INSTRUCTIONS

Calculate the effective duct length

The overall duct length will determine the duct diameter.

- Measure the actual duct length needed:
 1. Establish the number of elbows or bends necessary, noting the type of bend, angle and radius involved (see, Table 1).
 2. Add the additional duct length as specified in Table 1 to the actual duct length to get the effective duct length.
 3. The necessary duct diameter can then be found in Table 2.

Note:

Drying times and energy consumption remain unaltered for 4" (100 mm) duct up to a total length of 66 ft. (20 m). Longer ducts may lead to slight increases, but, the function will not be impaired as long as the necessary duct diameter is used (Table 2).

Table 1

Type of bend	Angle	Radius		Additional duct length	
		inch	cm	inch	cm
Flexible metal duct	90 °	up to 16"	40.6	20"	50.8
	45 °	up to 16"	40.6	12"	30.5
Smooth metal duct	90 °	4"	10	14"	35.6
Elbow 90° sharp; no radius	90 °			90"	228.5
Concertina bend	90 °	8"	20.3	28"	71.1
Wall vent kit with louvres or window vent kit				142"	360.7
Wall vent kit with flap or window vent kit				99"	251.5
Exhaust connection left side				193"	490.2

Table 2

Internal diameter or edge length		Effective duct length	
inches	mm	ft	m
4"	100	0 - 66	0 - 20
5"	125	66 - 100	20 - 30
6"	150	100 - 140	30 - 42.7

INSTALLATION INSTRUCTIONS

Flexible metal ducting has been used for the following example. Other duct types may require additional duct length (see Table 1.)

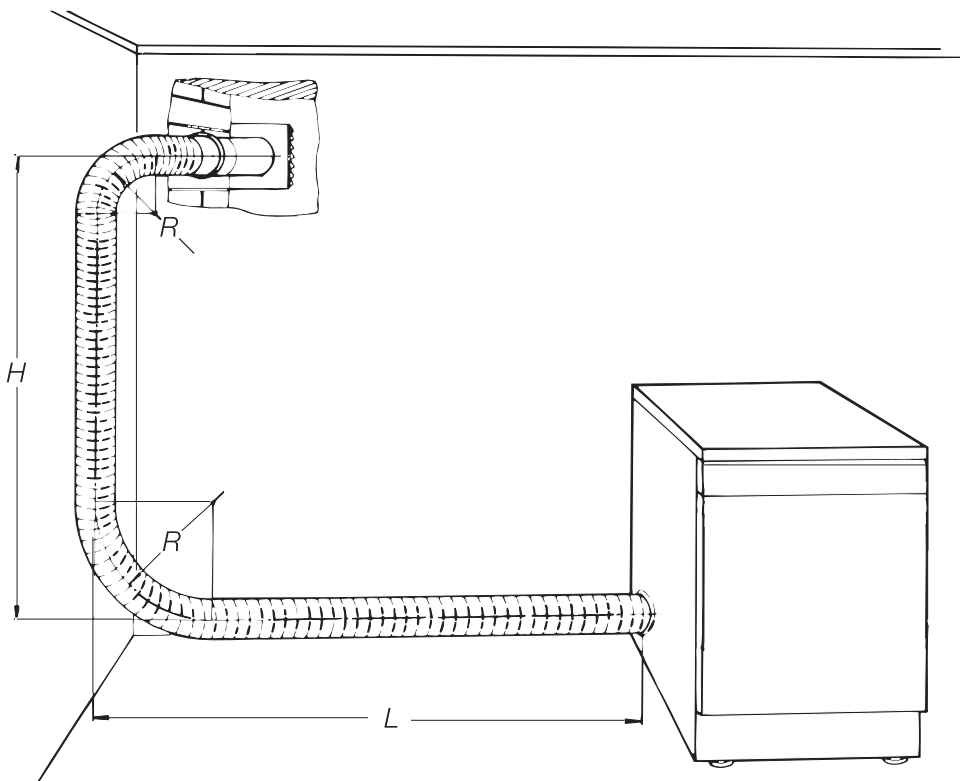
Example:

Vent connection left 39" (1.0 m)
Length (L) 47" (1.2 m)
Lower radius (R) 19" (0.5 m)
Height (H) 39" (1.0 m)
Upper radius (R) 19" (0.5 m)
Wall pipe w/ grill frame 149" (3.8 m)

Effective duct length 312" (8.00 m)

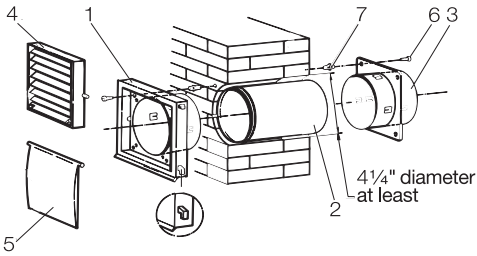
Result:

A duct diameter of 4" (100 mm) is adequate since the effective length is less than 66 ft. (20 m) as specified in Table 2.



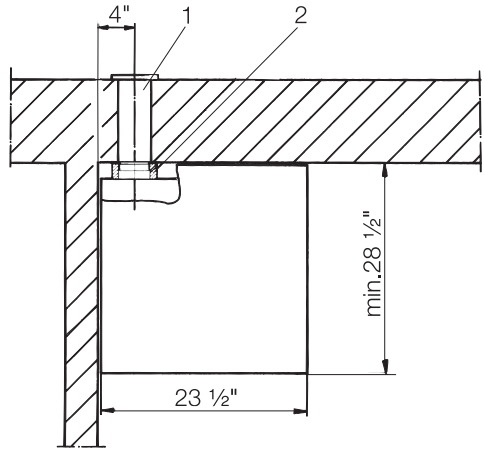
INSTALLATION INSTRUCTIONS

Wall vent duct



1. Louvred wall vent frame
2. Wall vent duct
3. Adapter
4. Louvred wall vent
5. Flap
6. Screw

Dryer top view



1. Wall pipe
2. Flexible foam gasket

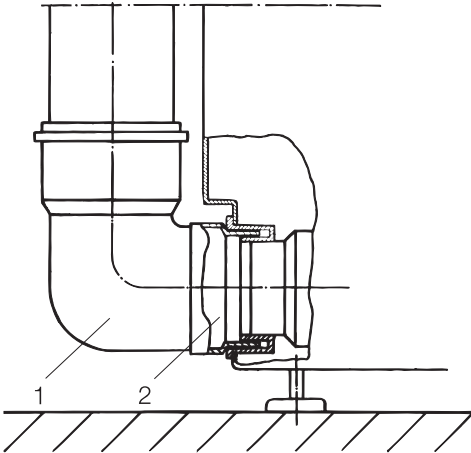
A flexible foam gasket must be used if the tumble dryer is directly connected to the wall vent.

inch	cm
4 1/4"	10.8
4"	10
23 1/2"	60
28 1/2"	72.5

INSTALLATION INSTRUCTIONS

Example 1

Connection of the rigid metal pipe to the dryer (side view).



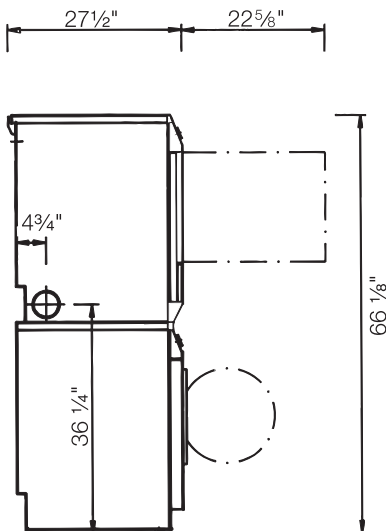
1. KA-pipe
2. Adapter

Connect the ducting

- Attach the ducting to the vent.
- Move the dryer close to its final position.
- Attach the ducting to the exhaust port via the duct adapter, securing with duct tape or a hose clamp.

Example 2

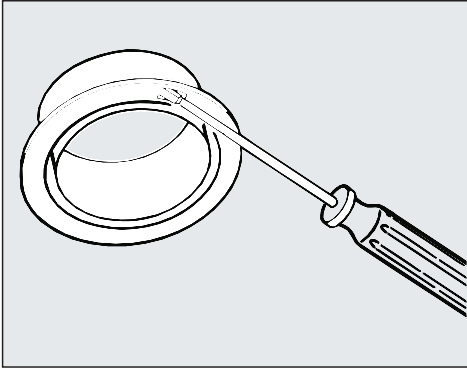
Height of vent adapter in a stacked installation.



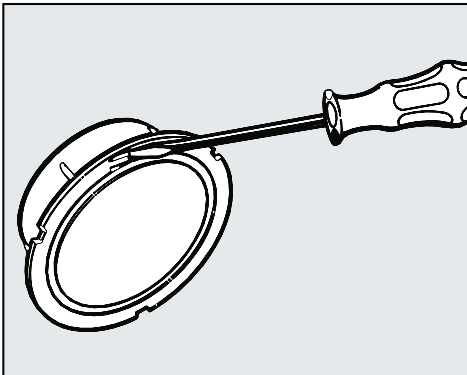
inch	cm
4 ³ / ₄ "	12
22 ⁵ / ₈ "	57.5
27 ¹ / ₂ "	70
36 ¹ / ₄ "	92
66 ¹ / ₈ "	168

INSTALLATION INSTRUCTIONS

To change the exhaust connection from the rear of the machine to the left side of the machine



- Remove the vent socket from the rear exhaust port by inserting a thin screwdriver into the slot by the retaining clip. Press the clip gently upwards and at the same time turn the connector counterclockwise.



- Press the retaining clip of the cap covering the left exhaust port upwards, turn it counterclockwise.
- Secure the connector into the side port by pressing it in and turning it clockwise.
- Seal the rear exhaust port with the cap.

INSTALLATION INSTRUCTIONS

Make the electrical connection

GROUNDING INSTRUCTIONS

This appliance must be grounded. In the event of malfunction or breakdown, grounding will reduce the risk of electric shock by providing a path of least resistance for electric current. This appliance is equipped with a cord having an equipment grounding conductor and a grounding plug. The plug must be plugged into an appropriate outlet that is properly installed and grounded in accordance with all local codes and ordinances.

WARNING – Improper connection of the equipment grounding conductor can result in a risk of electric shock. Check with a qualified electrician or service representative or personnel if you are in doubt as to whether the appliance is properly grounded.

Do not modify the plug provided with the appliance: if it will not fit the outlet, have a proper outlet installed by a qualified electrician.

Electrical connection

The dryer comes with a 5 ft long, 12/4 AWG cord and a NEMA 14-30 P plug.

It should be connected to a 120/208-240 V, 15 A, 60 Hz AC power supply. A 3 pole-4 wire grounding power outlet (NEMA type 14-30 R) is necessary.

EASY INSTALLATION KIT

If you do not have a dedicated 15 Amp line for this appliance, but you have the standard, 120/208-240 V - 30 Amp, 60 Hz AC outlet, you can use the "Easy Installation Kit", which allows you to use that line to connect this appliance.

057B for on-site outlet NEMA 10-30 R
060B for on-site outlet NEMA 14-30 R

For more information on the "Easy Installation Kit" or if you have questions concerning the electrical connection please contact:

USA 1-800-999-1360
techserv@mieleusa.com

CDN 1-800-565-6435
service@miele.ca

When contacting the Technical Service,
please quote the model and serial number
of your appliance.

The Miele logo is displayed in a bold, white, serif font against a solid black rectangular background.

Miele, Inc. (USA)

National Headquarters

9 Independence Way
Princeton, NJ 08540
Phone: 800-843-7231
609-419-9898
Fax: 609-419-4298
www.mieleusa.com

Technical Service & Support

Nationwide

Phone: 800-999-1360
Fax: 888-586-8056

Miele Limited (CDN)

National Headquarters

55G East Beaver Creek Road
Richmond Hill, ON L4B 1E5
Phone: 800-643-5381
905-707-1171
Fax: 905-707-0177
www.miele.ca
info@miele.ca (general enquiries)
professional@miele.ca (commercial enquiries)

Mielecare National Service

Phone: 800-565-6435
905-850-7456
Fax: 905-850-6651
service@miele.ca (Tech. Service)

Free Manuals Download Website

<http://myh66.com>

<http://usermanuals.us>

<http://www.somanuals.com>

<http://www.4manuals.cc>

<http://www.manual-lib.com>

<http://www.404manual.com>

<http://www.luxmanual.com>

<http://aubethermostatmanual.com>

Golf course search by state

<http://golfingnear.com>

Email search by domain

<http://emailbydomain.com>

Auto manuals search

<http://auto.somanuals.com>

TV manuals search

<http://tv.somanuals.com>