

## Operating instructions for vented tumble dryer T 220

To avoid the risk of accidents  
or damage to the machine  
it is **essential** to read these  
Operating instructions before  
it is installed or used for the first time.



M.-Nr. 05 538 260

# Contents

---

<b>Warning and Safety instructions</b> . . . . .	4
<b>Caring for the environment</b> . . . . .	8
Disposal of the packing material . . . . .	8
Disposal of your old appliance . . . . .	8
Energy saving tips . . . . .	8
<b>Control panel</b> . . . . .	9
<b>Notes on laundry care</b> . . . . .	10
<b>Programme chart</b> . . . . .	11
<b>How to dry correctly</b> . . . . .	14
❶ Prepare the laundry . . . . .	14
❷ Load the drum and switch on the dryer . . . . .	14
❸ Select a programme . . . . .	15
❹ Start the programme . . . . .	15
Selecting a different programme . . . . .	16
Interrupting a programme . . . . .	16
Adding or removing items . . . . .	16
To cancel a programme . . . . .	16
❺ At the end of a programme . . . . .	16
<b>Cleaning and care</b> . . . . .	17
Cleaning the fluff filter . . . . .	17
Tumble dryer . . . . .	17
<b>Problem solving guide</b> . . . . .	18
After sales service . . . . .	23
Repairs . . . . .	23
PC indicator lamp (Interface for service technicians) . . . . .	23

<b>Installation</b> . . . . .	24
Front view . . . . .	24
Installation . . . . .	25
Transporting the machine to its installation site . . . . .	25
Aligning the machine . . . . .	25
Installation site . . . . .	26
Building under a continuous worktop / in a row of kitchen units . . . . .	26
Replacing the lid . . . . .	26
Washer-dryer stack . . . . .	26
Electrical connection . . . . .	27
<b>Installation - venting</b> . . . . .	28
General . . . . .	28
Calculating the effective duct length: . . . . .	29
Installation to the rear, left or right hand side of the machine . . . . .	30
Venting systems overview . . . . .	31
Ⓐ Venting system with Flexible ducting hose . . . . .	31
Ⓑ Venting system with plastic piping . . . . .	33
Ⓒ Connecting directly to a wall vent . . . . .	34
Ⓓ Main venting duct . . . . .	35
Washer dryer stack . . . . .	36
<b>Consumption data</b> . . . . .	37
<b>Technical data</b> . . . . .	38
<b>Programmable functions</b> . . . . .	40
Increased drying level in the COTTONS programmes . . . . .	40
Increased drying level in the MINIMUM IRON programmes . . . . .	41
Buzzer . . . . .	42

# Warning and Safety instructions

---

Read the operating instructions carefully before using this appliance for the first time. They contain important information about the safety, use and maintenance of the appliance. This way you will avoid the risk of accidents and damage to the appliance.

Keep these operating instructions in a safe place and ensure that new users are familiar with the content. Pass them on to any future owner of the machine.

## Correct use

The tumble dryer is only intended for drying fabrics which have been washed in a water solution, marked on the manufacturer's wash care label as being suitable for tumble drying. Any other applications may be dangerous. The manufacturer is not liable for damage resulting from improper use or operation.

## Technical safety

Before setting up the machine check it for any externally visible damage. Do not install or use a damaged machine.

Before connecting the machine, ensure that the connection data on the data plate (fusing, voltage and frequency) matches the mains electricity supply. If in any doubt, consult a qualified electrician.

The electrical safety of this machine can only be guaranteed when continuity is complete between

the appliance and an effective earthing system which complies with local and national regulations. It is most important that this basic safety requirement is regularly tested by a qualified electrician. The manufacturer cannot be held responsible for the consequences of an inadequate earthing system (e.g. electric shock).

Do not connect the machine to the mains electricity supply by an extension lead. Extension leads do not guarantee the required safety of the machine (e.g. danger or overheating).

The machine is built in accordance with current safety requirements. Unauthorised repairs could result in unforeseen dangers for the user, for which the manufacturer cannot accept responsibility. Repairs should only be undertaken by a Miele approved engineer.

Ensure current is not supplied to the appliance while maintenance or repair work is being carried out.

Faulty components must only be exchanged for Miele original spare parts. Only when these parts are fitted can the safety standards of the machine be guaranteed.

If the appliance is supplied from a cord extension set or electrical portable outlet device the cord extension set or electrical portable outlet device should be positioned so it is not subject to splashing or ingress of moisture.

# Warning and Safety instructions

---

■ If the mains cable becomes damaged it must be replaced with a Miele original cable.

■ In the event of a fault or for cleaning purposes, the machine is only completely isolated from the electricity supply when:

- it is switched off at the wall socket and the plug is withdrawn, or
- it is switched off at the mains, or
- the mains fuse is withdrawn.

## Operation

■ This equipment is not designed for maritime use or for use in mobile installations such as caravans, aircraft etc. However, it may be suitable for such usage subject to a risk assessment of the installation being carried out by a suitably qualified engineer.

■ Young children should be supervised to ensure that they do not play with the appliance.

■ Do not let small children play with the machine or its controls. Supervise its use by the elderly or infirm.

■ This dryer must not be:

- connected to a chimney or vent flue which is in use.
- used without exhaust ducting.
- used without the fluff filter in place or if the fluff filter is damaged in any way.

■ Check all parts of the extraction system on a regular basis (e.g. wall vent, external grille, bends in the ducting etc.) and make sure they are all

free of any hindrance. A build-up of fluff will prevent a free-flow of air through the system. If the dryer is to be connected to an existing ducting system this must be checked for suitability beforehand.

■ Adequate ventilation is essential, especially where another appliance which also uses the room air (eg gas, oil or coal fired heater, continuous flow or other water heater) is installed in the same or an adjacent room. To ensure safe operation, and to prevent gases given off by these appliances being drawn back into the room, an underpressure of 0.04 mbar is the maximum permissible. Ventilation can be maintained by air inlets which cannot be blocked, in windows, doors and outside wall vents, or by an automatic window opening arrangement when the tumble dryer is switched on. If in doubt, the advice of a competent builder, or for gas, a gas fitter must be sought.

■ The exhaust air must not be vented into a chimney or vent flue which is in use, nor should it be connected to ducting which ventilates rooms with fireplaces. It would be dangerous if smoke or exhaust fumes were drawn back into the room.

■ Do not install the machine in a room where the temperature may drop down to or below freezing. At very cold temperatures the machine may be difficult to start.

■ Always keep the area around the machine free of dust and fluff.

# Warning and Safety instructions

---

Always close the door after use. This way you will avoid the danger of:

- anyone sitting or leaning on the door, which can cause the machine to tip up,
- children climbing onto or into the dryer or hiding things in it.

There is danger of fire with fabrics which:

- contain a large proportion of rubber, foam rubber or rubber like materials.
- have been treated with inflammable cleaning agents.
- have been splashed with hair lacquer, hair spray, nail varnish remover or similar substances.
- which contain padding or fillings (e.g. pillows, jackets). If these were damaged the filling could leak with the risk of igniting in the dryer.
- are soiled with oil or grease.

In areas which may be subject to infestation by cockroaches or other vermin, pay particular attention to keeping the appliance and its surroundings in a clean condition at all times. Any damage which may be caused by cockroaches or other vermin will not be covered by the appliance guarantee.

**To minimize the risk of fire in a tumble dryer, the following should be observed:**

- Items that have been spotted or soaked with vegetable or cooking oil constitute a fire hazard and should not be placed in a tumble dryer.

Oil-affected items can ignite spontaneously, especially when exposed to heat sources such as in a tumble dryer. The items become warm, causing an oxidation reaction in the oil. Oxidation creates heat. If the heat cannot escape, the items can become hot enough to catch fire. Pilling, stacking or storing oil-affected items can prevent heat from escaping and so create a fire hazard.

If it is unavoidable that fabrics that contain vegetable or cooking oil or have been contaminated by hair care products be placed in a tumble dryer they should first be washed in hot water with extra detergent - this will reduce, but not eliminate, the hazard. The "cool down" cycle of tumble dryers should be used to reduce the temperature of the items. They should not be removed from the tumble dryer or piled or stacked while hot.

# Warning and Safety instructions

---

- Items that have been previously cleaned in, washed in, soaked in or spotted with petrol/gasoline, dry-cleaning solvents or other flammable or explosive substances should not be placed in a tumble dryer.

Highly flammable substances commonly used in a domestic environments include acetone, denatured alcohol, petrol/gasoline, kerosene, spot removers (some brands), turpentine, waxes and wax removers.

- Items containing foam rubber (also known as latex foam) or similarly textured rubber like materials should not be dried in a tumble dryer on a heat setting.


Foam rubber materials can, when heated, produce fire by spontaneous combustion.

- Fabric softeners or similar products should not be used in a tumble dryer to eliminate the effects of static electricity unless this practice is specifically recommended by the manufacturer of the fabric softener or product.
- Undergarments that contain metal reinforcements should not be placed in a tumble dryer.

Damage to the tumble dryer can result if metal reinforcements come loose during drying. When available a drying rack could be used for such items.

- Plastic articles such as shower caps or babies' waterproof napkin covers should not be placed in a tumble dryer.
- Rubber-backed articles, clothes fitted with foam rubber pads, pillows, galoshes and rubber-coated tennis shoes should not be placed in a tumble dryer.

## Using accessories

 Accessory parts may only be fitted when expressly approved by Miele. If other parts are used, guarantee, performance and product liability claims may be invalidated.

# Caring for the environment

---

## Disposal of the packing material

The transport and protective packing has been selected from materials which are environmentally friendly for disposal and can normally be recycled.

Ensure that any plastic wrappings, bags etc. are disposed of safely and kept out of the reach of babies and young children. Danger of suffocation!

Rather than just throwing these materials away, please ensure they are offered for recycling.

## Disposal of your old appliance

Old machines contain materials which can be reclaimed or recycled. Please contact your dealer, your local waste collection centre or scrap merchant about potential recycling schemes.

Before discarding an old machine unplug it and render the plug useless. Cut off the cable directly behind the appliance to prevent misuse. This should be done by a competent person.

Ensure that the machine presents no danger to children while being stored for disposal.

## Energy saving tips

- Make sure that your laundry is thoroughly spun before drying.

The higher the spin, the greater the savings that can be made in energy and time during drying.

- Load according to the optimum amount of laundry recommended for the programme being used (see "Programme chart").

Underloading is uneconomical. Overloading gives a poorer quality of drying and may cause unnecessary creasing.

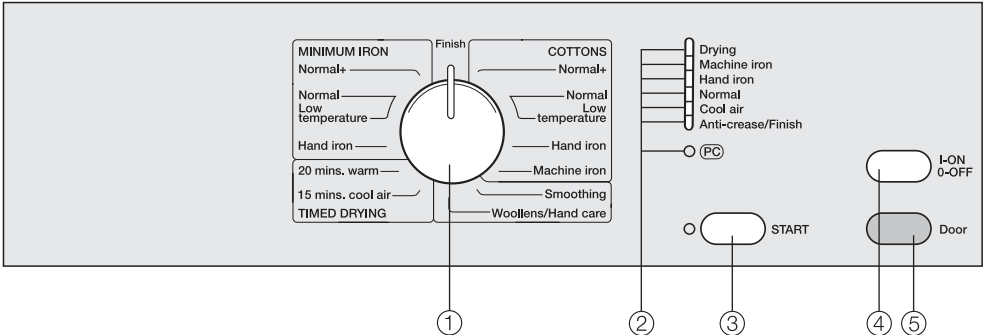
- To avoid unnecessarily long drying times and high consumption of energy:

- Make sure the room in which the dryer is located is well ventilated.
- Make sure the fluff filter is clean before using the dryer.
- Check all parts of the ventilation system on a regular basis and remove any build up of fluff etc.

- The vent ducting should be as short, straight and smooth as possible to minimise any resistance to the air throughflow.

This helps to reduce running times and energy consumption levels.





## ① Programme selector

The programme selector can be turned clockwise or anti-clockwise.

## ② Programme sequence and check lamps

## ③ START button

Press the Start button to start a programme. The Start indicator lamp will flash as soon as a programme can be started. It lights up constantly once the programme has started.

## ④ I-On/0-Off button

To switch the appliance on or off / to interrupt a programme.

## ⑤ Door button

to open the door / to cancel a programme.

Pressing this button will open the door even when the appliance is switched off at the mains.

If the appliance is switched on at the mains and the door is opened the drum lighting will come on. It will go out a few minutes later to save energy.

# Notes on laundry care

---

## Wash care labels

Before drying check the drying symbol on the wash care label.

Significance of symbols:

- Dry at normal temperature
- Dry at low temperature
- Do not tumble dry

If no symbol is featured, dry at your own risk applying the following principles:

Cotton and minimum iron items should be dried using the appropriate programme for the degree of drying required. See programme chart.

For delicates and fabrics with the following wash care label  you can also select the *Low temperature* option.

Never overload the drum. Always observe the maximum recommended loads given in the "Programme chart". Overloading can cause unnecessary wear and tear to the laundry, give a disappointing drying result and cause more creasing.

## Tips on drying

Woollens and wool blends tend to become matted and shrink if dried in a tumble dryer. They can, however, be partially dried using the *Woollens hand care* programme.

Items filled with down.

The fine fabric interior of these items may shrink depending on the quality. These items can be partially dried using the *Smoothing* programme.

Pure linen should only be machine dried if specified as suitable by the manufacturer on the wash care label, as the surface of the fabric may otherwise "roughen". These items can be partially dried using the "Smoothing" programme.


Woven and loopknit materials (e.g. T-shirts, knitted garments) have a tendency to shrink, depending on their quality and this is made worse by over-drying. When purchasing these garments it is advisable to take their shrinkage properties into account.

Minimum iron fabrics and 100% cotton shirts or blouses tend to crease more, the larger the load being dried, particularly when the weave of the fabric is very fine. Reduce the load or use the Special care *Minimum iron - Hand iron* programme. If this is unsatisfactory use the "Smoothing" setting, then hang the garments on a hanger to dry.

Starched laundry can be dried in the tumble dryer. In order to achieve the usual finish, double the amount of starch should be used.

New dark coloured garments should be dried separately from light coloured garments to avoid the danger of colours running.


## Programme chart

Programmes	Fabric type	Special notes
<b>COTTONS</b>		maximum load: 5 kg <sup>(1)</sup>
Drying levels		
<b>Normal+</b>	Single and multi-layered fabrics, e.g. mixed load of cotton fabrics (e.g. towelling, jerseywear).	-
<b>Normal</b> <sup>(2)</sup>	Load of similar fabrics (jersey wear, flannelette sheets, towelling).	If laundry is still too damp, then: - finish drying using Timed drying <i>Warm air</i> . - use the <i>Normal+</i> programme next time.
<b>Low temperature</b>	For drying delicate fabrics with the symbol  (e.g. acrylic garments).	Laundry is dried using the <i>Normal</i> programme, but at a lower temperature.
<b>Hand iron</b> <sup>(2)</sup>	Cotton or linen fabrics (e.g. table linen, bed linen, starched laundry etc.).	-
<b>Machine iron</b>	Cotton or linen fabrics, including starched laundry for machine ironing.	The laundry should be rolled up to prevent it from drying out before it can be ironed.

<sup>(1)</sup> Weight of dry laundry

<sup>(2)</sup> Note for test institutes: Programme setting for testing according to EN 61121 standard

# Programme chart

Programmes	Fabric type	Special notes
<b>MINIMUM IRON</b>		maximum load: 2.5 kg <sup>(1)</sup>
Drying levels		
<b>Normal+</b>	Minimum iron items which are made of synthetic or blended fabrics (e.g. pullovers, dresses, trousers) which are not dried adequately in the <i>Normal</i> programme.	Spin minimum iron fabrics for at least 30 seconds in the washing machine before drying them.
<b>Normal</b> <sup>(2)</sup>	Minimum iron shirts, table cloths etc. made of mixed fibres, e.g. cottons / synthetics.	Spin minimum iron fabrics for at least 30 seconds in the washing machine before drying them.
<b>Low temperature</b>	For drying delicate fabrics with the symbol  (e.g. acrylic garments).	Laundry is dried using the <i>Normal</i> programme, but at a lower temperature. Spin minimum iron fabrics for at least 30 seconds in the washing machine before drying them.
<b>Hand iron</b>	Minimum iron shirts, table cloths etc. made of mixed fibres, e.g. cottons / synthetics, which are still to be hand ironed.	Spin minimum iron fabrics for at least 30 seconds in the washing machine before drying them. For extra special care of delicate fabrics and to reduce creasing even more, reduce the load to 1 kg.

<sup>(1)</sup> Weight of dry laundry

<sup>(2)</sup> Note for test institutes: Programme setting for testing according to EN 61121 standard

## Programme chart

Programme	Fabric type	Special notes
<b>Special care programmes</b>		
<b>Woollens hand care</b>		maximum load: 2 kg <sup>(1)</sup>
	Woollen fabrics	To refresh and fluff up woollen garments quickly. Remove garments immediately at the end of the programme. Do not repeat. Woollen fabrics are not dried completely by this programme.
<b>Smoothing</b>		maximum load: 2.5 kg <sup>(1)</sup>
	Cottons and linen fabrics. Minimum iron items made of cotton, blended fabrics or synthetics, e.g. cotton trousers, shirts.	Smooths out creasing caused during the spin cycle in the washing machine. Fabrics are not completely dried in this programme. Remove garments immediately at the end of the programme and place on a line or hangers to dry.
<b>TIMED DRYING</b>		
		maximum load: 5 kg <sup>(1)</sup>
<b>Warm air</b>	Individual items (e.g. bathing costumes, bath towels, tea-towels).	-
	Multi-layered fabric whose layers have different drying characteristics.	-
<b>Cool air</b>	Items which are to be aired only.	-

<sup>(1)</sup> Weight of dry laundry

# How to dry correctly

## 1 Prepare the laundry

- As far as possible, sort laundry for:
  - the type of fibre or weave,
  - the degree of dryness required,
  - similar size of items,
  - the moisture content after spinning.

This will help towards achieving an even drying result.

Fasten duvet covers etc. to prevent small items from being rolled up inside them.

Do up zips, hooks and eyes etc.

Tie fabric belts, apron strings.

Sew in or remove underwiring from bras.

Make sure there is no detergent dispenser ball etc. in with the laundry, as this could melt and damage the machine and the laundry.

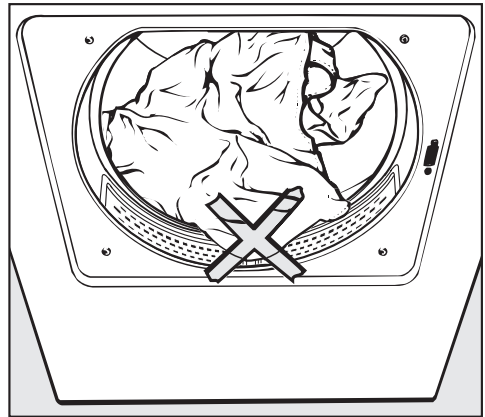
## 2 Load the drum and switch on the dryer

- Press the door button and open the door.
- Load the laundry loosely into the drum.

Do not overload the drum. Overloading can cause unnecessary wear and tear to the laundry and give a disappointing drying result.

See the "Programme chart" for maximum recommended loads.

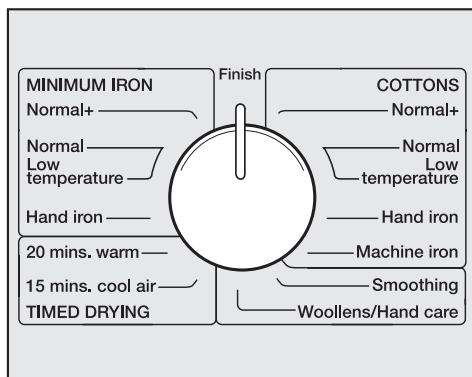
- Before closing the door check that the fluff filter is correctly positioned in the door.



**When closing the door make sure items of laundry cannot be trapped by the door, as this will cause damage to the laundry.**

- Shut the door either with a gentle swing or lean against it and push it shut.
- Switch the dryer on by pressing the "I-On/O-Off" button.


## 3 Select a programme



- Turn the programme selector to the required programme.

See "Consumption data" chart for programme durations.

### **Low temperature**

- For drying particularly delicate fabrics (care symbol ) e.g. acrylics turn the programme selector to the *Low temperature* position.

Because the heater rating is reduced for the *Low temperature* setting clothes dry more slowly thus lengthening drying times.

## 4 Start the programme

- Press the START button.

The drying cycle begins.

The drying stage reached is shown by the sequence indicator lamps on the right hand side of the control panel.

At the end of the drying phase a cooling down phase commences to cool the laundry down. The *Cool air* indicator lights up.

The required degree of dryness has now been reached.

# How to dry correctly

---

## Selecting a different programme

As long as the cooling down phase or the anti-crease phase has not been reached, it is possible to change a programme after it has started by turning the programme selector to a different programme position.

## Interrupting a programme

- Switch the machine off with the *I-On / 0-Off* button.

To continue drying:

- Switch the machine on with the *I-On / 0-Off* button.

With COTTONS and MINIMUM IRON programmes the programme will continue unless the cooling down or anti-crease phase has been reached.

With other programmes:

- Press the START button.

## Adding or removing items

- Open the door. Take out or add items as required.
- To continue drying close the door and press START.

## To cancel a programme

- Turn the programme selector to *Finish* or open the door .

The programme has been successfully cancelled when only the *Anti-crease/Finish* indicator lamp is on.

## 5 At the end of a programme

At the end of a programme the *Anti-crease/Finish* lamp will come on in the sequence display and the buzzer will sound.

The drum will continue to rotate at intervals to prevent laundry creasing, if you do not wish to remove it immediately (anti-crease). The anti-crease phase lasts for a maximum of 60 minutes, except with *Woollens hand care* programme.

- Press the *Door button* and open the drum door.
- Remove the laundry.

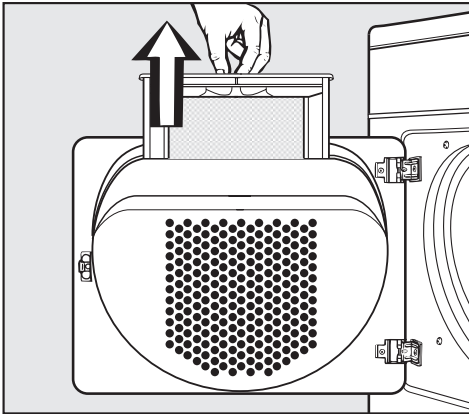
Make sure that the drum is empty. If items are left in the dryer, they could be damaged by overdrying when the dryer is next used.

- Clean the filter.
- Close the door.
- Switch the dryer off by pressing the *I-On/0-Off* button.

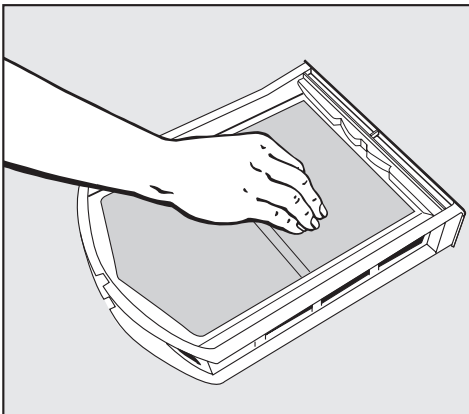


## Cleaning the fluff filter

The fluff which is created by the drying process is collected in the fluff filter in the door. Clean the filter after **every** drying cycle.



- Open the door and pull the fluff filter out of the door as illustrated.



- Use your fingers to remove the fluff from the surface of the filter.
- Remove any fluff from the hollow part of the door holder.

A cleaning brush is available as an optional extra from your Miele dealer or the Miele Spare Parts Department.

You can also use a vacuum cleaner.

- Once clean, push the filter back into the door holder until it clicks into position. Ensure it is facing the correct way. Close the door.

**If there is a great deal of compacted fluff on the filter, it can be cleaned under hot running water.**

- After cleaning shake thoroughly until no more water droplets are visible.
- Dry the filter carefully.
- Push the filter back into the door holder until it clicks into position. Make sure it is the right way round.

## Tumble dryer

Disconnect the machine from the power supply.

- Clean the housing and control panel with a mild cleaning agent or soapy water. Clean the drum and other stainless steel parts with a suitable proprietary stainless steel cleaner following the manufacturer's instructions.

Never use abrasive cleaning agents, solvents, scouring pads, glass or general purpose cleaners. These could damage plastic surfaces and other parts. The machine must never be hosed down.

# Problem solving guide

With the help of the following notes minor faults in the performance of the appliance, some of which may result from incorrect operation, can be put right without contacting the Service Department.

Repairs to the machine should only be undertaken by a suitably qualified service technician to ensure safety. Unauthorised repairs could be dangerous.

Fault	Possible cause	Remedy
<b>The appliance fails to start when switched on.</b>	No obvious cause.	Have you followed the switch-on procedure correctly (see section on "Drying correctly"). Is the plug correctly inserted in the socket and switched on? Is the door closed properly? Has the plug or circuit breaker tripped?
<b>Items made of synthetic fibres are charged with static electricity after drying.</b>		Static charge can be reduced by adding a fabric conditioner to the final rinse in the washing machine or a fabric conditioner sheet to the load in the dryer.

## Problem solving guide

<b>Problem</b>	<b>Possible cause</b>	<b>Remedy</b>
<b>There is a build up of fluff.</b>	Fluff is principally the result of friction when garments are being worn and washed. Machine drying hardly causes any fluff to form and, as has been established by research institutes, has no effect on the lifetime of fabric.	Fluff is collected by the fluff filters and can be easily removed (see "Cleaning and Care").
<b>The laundry is not sufficiently dry.</b>	The load consisted of different fabrics.	Select a more suitable drying programme next time (see "Programme chart").
<b>The interior drum lighting does not come on.</b>	The lighting switched off automatically.	The lighting only comes on when the door is opened if the dryer is switched on. It will switch off after a short while if the door is left open. This is to save electricity.
	The lamp may be defective.	Change the lamp as described at the end of this section.

## Problem solving guide

Problem	Possible cause	Remedy
<b>The drying process goes on too long or even switches off.</b>	<b>Important:</b> Before attempting to remedy one of the following causes, switch the dryer off and switch on again to start the programme again.	
	Ventilation to the dryer is insufficient (e.g because it is installed in a room which is too small).	Open a door or window while the machine is in operation for increased air flow.
	The laundry was not sufficiently spun.	Make sure that your laundry is thoroughly spun before drying.
	The tumble dryer has been overloaded.	Do not exceed the maximum load for the programme selected.
	Metallic components, e.g. zips have prevented the dryer from registering the correct moisture level in the laundry.	In future select a Timed drying programme for these garments.
	The fluff filter may be blocked.	Clean the fluff filter.
	The vent ducting or the ventilation outlet is blocked.	<ul style="list-style-type: none"> <li>– Check all parts of the extraction system on a regular basis (e.g. wall vent, external grille, bends in the ducting etc.) and make sure they are all free of any hindrance.</li> <li>– Remove any fluff.</li> </ul>

## Check and fault indicator lights:

Problem	Possible cause	Remedy
<b>The programme has stopped, the <i>Anti-crease/Finish</i> lamp has come on in the sequence display and the buzzer is sounding.</b>	This is not a fault. The electronics register whether there is laundry in the drum after the start of a COTTONS or MINIMUM IRON programme. If the drum is empty the programme is stopped. The programme will also be stopped if the laundry is dry when the programme is started or if you are trying to dry an individual item. Use the Timed drying programme (Warm air) to dry individual items.	
<b>The programme has been interrupted, the indicator lamp for <i>Hand iron</i> or <i>Machine iron</i> is flashing, and the buzzer sounds.</b>	There is no obvious cause.	<ul style="list-style-type: none"><li>– Switch off the dryer.</li><li>– Then switch the dryer back on and start the programme again.</li></ul> <p>If the programme stops again and an indicator lamp flashes, there is a fault. Contact the Miele Service Department.</p>

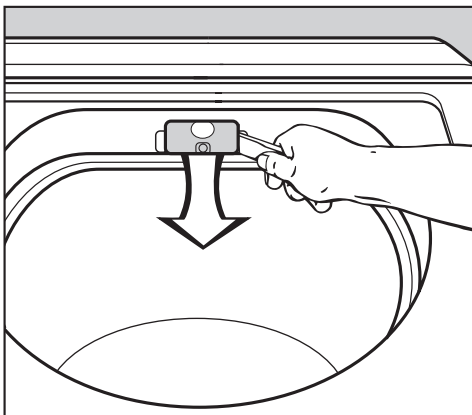
## Problem solving guide

### To change the interior drum lamp

- Open the door.

Before changing the lamp, disconnect the machine from the mains power supply.

You will find the interior lamp cover at the top of the drum aperture.



- Insert the opener under the side edge of the cover as illustrated.
- Turn your wrist to make the cover open downwards.

The temperature resistant lamp should only be ordered from your Miele dealer or the Miele Spare Parts Department.

The lamp must not exceed the maximum wattage quoted on the data plate and on the light cover.

- Replace the lamp.

- To close the flap push it upwards and press it on the left and right until you hear it click into position.

The cover must be fixed securely, as otherwise moisture may seep in and cause a short circuit.

## After sales service

### Repairs

In the event of any faults which you cannot remedy yourself, please contact

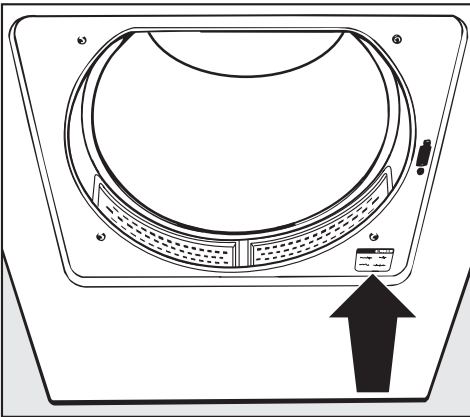
- Your Miele Dealer or
- The nearest Miele Service Department (see back cover for address).

When contacting the Service Department, please quote the Model and Serial numbers both of which are located on the data plate situated on the right hand side below the drum aperture.

### PC indicator lamp

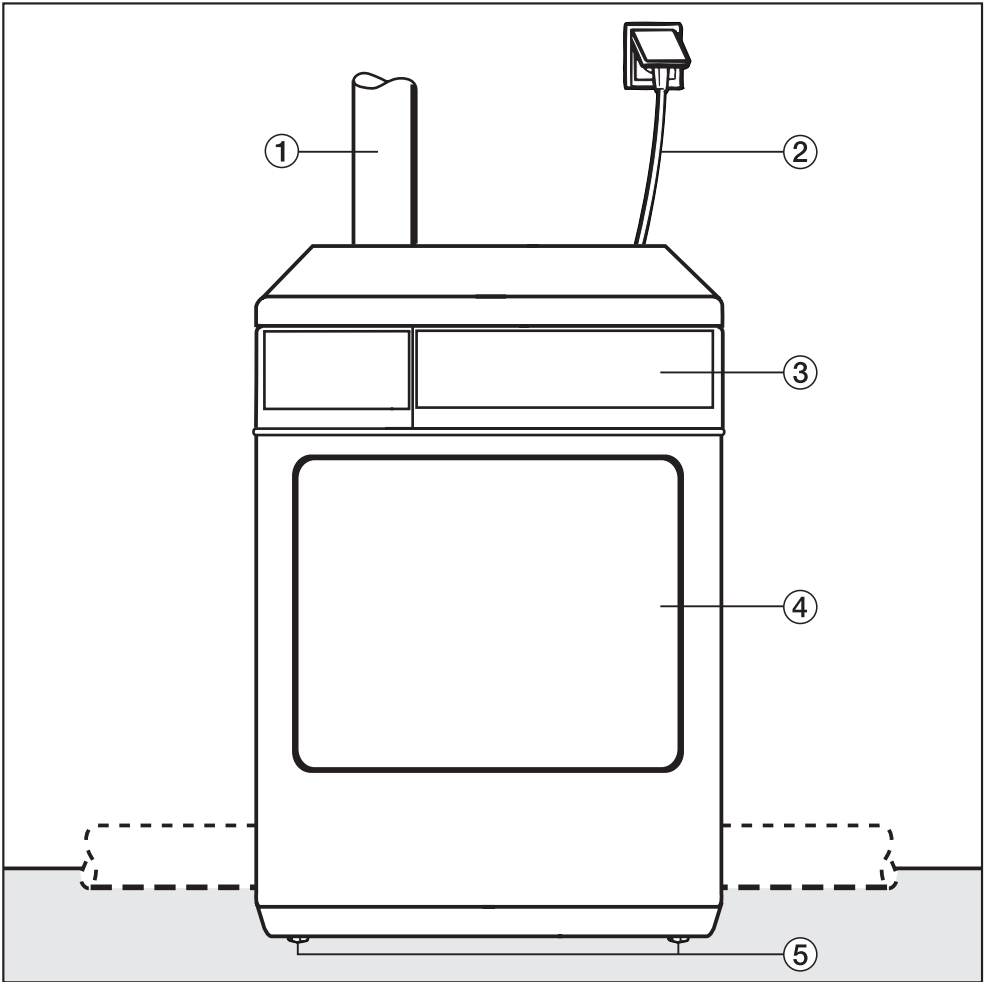
#### (Interface for service technicians)

The indicator lamp marked *PC* on the fascia panel is the interface used by the Miele service technicians during service work for testing purposes.



# Installation

## Front view



- ① Venting connection: rear, right or left (supplied with the rear socket open)
- ② Supply cable for electrical connection
- ③ Control panel
- ④ Door
- ⑤ Four height-adjustable screw feet

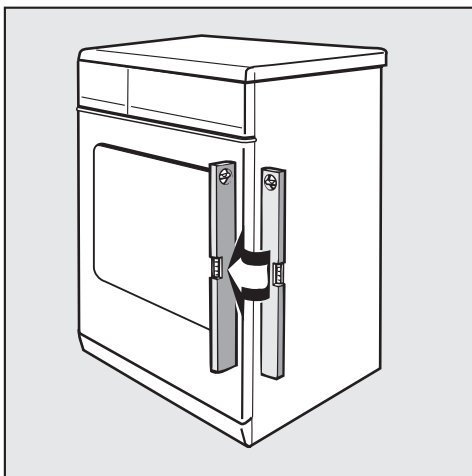


## Installation

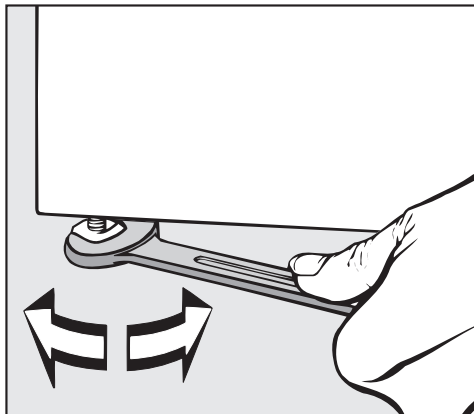
### Transporting the machine to its installation site

When moving the machine you can hold it by the lid where it protrudes to the rear of the dryer. To manoeuvre the dryer out of its packing case to its installation site you will also need to hold it by the front feet.

### Aligning the machine



The machine must be perfectly level to ensure safe and proper operation.



- The screw feet can be adjusted to compensate for any unevenness in the floor.

A ventilation gap of at least 10 mm must be maintained between the bottom of the machine and the floor. It must not be blocked by deep pile carpets, plinths, etc, which would prevent a sufficient intake of cold air.

# Installation

---

## Installation site

### Building under a continuous worktop / in a row of kitchen units

The space required by the vent duct must be taken into consideration when calculating the distance between the machine and a wall or other appliances or furniture on either side.

- A special **conversion kit\*** is required.  
The machine lid is replaced by a coverplate which must be fitted by suitably qualified person to ensure electrical safety. This kit is supplied with installation instructions.
- When installing under a 900/910 mm high worktop a spacer kit\* is required.
- Flat type ducting\* is required if there is not enough space for a vent duct.
- The electric socket must be located in an accessible position near the machine.

When built under running times may be longer.

### NOTE:

If you wish to push your machine under a worktop and there is space to do this without removing the lid, the conversion kit is not necessary. Otherwise the conversion kit is essential.

When building under allow for 625 mm to include hoses, lid, fascia and door.

When building the machine in behind cabinet doors, ensure that doors are open during operation for adequate ventilation.

## Replacing the lid

If the lid has been removed in order to fit a cover plate, ensure that, if the lid is replaced, it fits securely into the rear holders. Otherwise, it is not properly secure for transport.

## Washer-dryer stack

The tumble dryer can also be combined with a Miele washing machine in a washer-dryer stack. To do this the appropriate stacking kit\* (WTV) to match your washing machine is required.

A washer and dryer should never be stacked without using the proper stacking kit. Doing so is extremely dangerous, as the dryer may vibrate off of the washing machine during use.

All parts marked \* are available from the Miele Spare Parts or Sales Department, and must be fitted by a suitably competent person according to the instructions supplied with the kit.

## Electrical connection

This tumble dryer is supplied ready for connection to an a.c. single phase supply. The machine is supplied with a 2 m long mains cable with moulded plug.

The appliance should be connected up only by a qualified electrician, in accordance with national and local safety regulations.

For extra safety it is advisable to install a residual current device (RCD) with a trip current of 30 mA.

The voltage, rated load and plug rating are given on the data plate. Please ensure that these match the household mains supply.

## Important

The wires in the mains lead are coloured in accordance with the following code:

Green/yellow = earth

Blue = neutral

Brown = live

As the colours of the wires in the mains lead of this appliance may not correspond with the coloured markings identifying the terminals in your plug, proceed as follows:

The wire which is coloured green and yellow must be connected to the terminal in the plug which is marked with the letter E or by the earth symbol  $\perp$  or coloured green or green and yellow.

The wire which is coloured blue must be connected to the terminal which is marked with the letter N or coloured black.

The wire which is coloured brown must be connected to the terminal which is marked with the letter A or coloured red.

**WARNING**  
**THIS APPLIANCE MUST BE**  
**EARTHED**

# Installation - venting

---

## General

### Important

Before operating the appliance, a suitable venting system must be installed to carry the moist air from the dryer to the outside.

- Before installing the ducting system, ensure that the appliance is not connected to the power supply.
- The venting outlet (e.g. in a wall) should be installed in such a way that the moist expelled air . . . cannot be drawn back into the room in which the dryer is installed; . . . cannot cause a nuisance or any damage to the building.
- Adequate ventilation is essential as the dryer uses the room air. Ventilation can be maintained by:
  - an open window;
  - an air inlet which cannot be blocked in windows, doors and outside wall vents;
  - a window switch which prevents the dryer being used when the window is closed.

### Avoid:

- very long venting systems
- too many bends or corners; tight corners.

Otherwise the drying result will not be as good and drying will take longer and use more energy.

### Suitable materials for venting pipework:

- flexible vent hose\*, plastic piping, galvanised steel piping (with a diameter of at least 100 mm).
- for venting directly outside: a wall vent kit\* or a window vent kit\*.

\*These can be obtained from the Miele Spare Parts department or from builders' merchants.

### Procedure:

- First measure the duct length required. Calculate the effective duct length and establish the internal duct diameter required (use the tables on the following pages). Longer ducting will require a larger duct diameter.
- Finally decide which venting system you are going to install (see "Venting systems" in this section).

## Calculating the effective duct length:

Friction against the inner walls of the vent duct will slow down the expelled air as it passes through the duct. An elbow, bend, non-return flap or wall vent creates more friction than a straight duct. The friction created by each of these is expressed as an **additional length factor**. The additional length factors are calculated by comparing the friction created by, for example, an elbow to that created by 1 meter of straight plastic piping (Table I).

The additional duct length factor for each item needs to be added together to ascertain the **effective duct length** which will be needed for the venting system.

A larger **internal duct diameter** also helps reduce friction. If the effective duct length is **more than 20 m** the

duct diameter should be increased (Table II).

### 1. To calculate the effective duct length:

- First measure the distance which will require straight ducting. Multiply this amount by the corresponding additional duct length factor in **Table I**.
- Establish the number of angles, bends etc. necessary and add their additional duct length factors together with the help of **Table I**.
- Add all the additional duct length factors together to give the effective duct length.

### 2. Internal duct diameter

- Refer to **Table II** for the appropriate duct diameter for the effective duct length.

**Table I**

	<b>Additional duct length</b>
<b>Flexible ducting*</b>	
- 1 m laid straight	1.8 m
- 45° angle (Bend radius = 0.25 m)	1.5 m
- 90° angle (Bend radius = 0.25 m)	2.5 m
<b>Flexible or aluminium vent hose* / plastic piping</b>	
- 1 m laid straight / or 1 m straight pipe	1.0 m
- 45° angle / elbow (Bend radius = 0.25 m)	0.6 m
- 90° angle / elbow (Bend radius = 0.25 m)	0.8 m
<b>Wall vent kit* or window vent kit*</b>	
- with louvred grille	3.8 m
- with non-return flap (hinged flap)	1.5 m
<b>Non-return flap* to be integrated into the vent ducting</b> (see "Ⓞ Main venting duct" for example)	14.3 m
<b>Flat ducting (for washer dryer stack)*</b>	11.0 m
<b>Venting connection to the left/right</b>	1.0 m

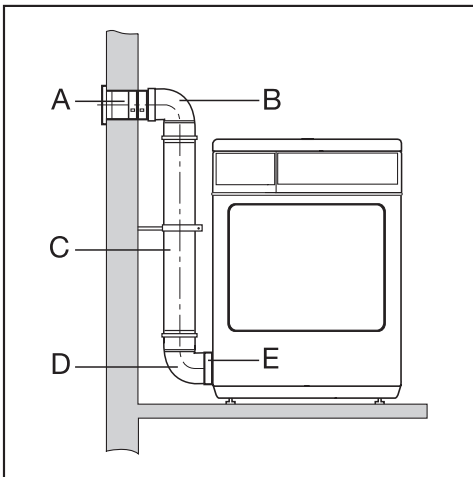
\* These can be obtained from the Miele Spare Parts department or from builders' merchants.

# Installation - venting

**Table II**

Maximum effective duct length allowable	Internal duct diameter required
10 m with Ring adapter	100 mm
20 m without Ring adapter	100 mm
40 m without Ring adapter	125 mm
100 m without Ring adapter	150 mm

## 3. Calculation example



<b>A</b>	<b>Wall pipe, with louvred vent</b>		
	= 1 x 3.8 m Additional duct length	= 3.8 m	
<b>B/D</b>	<b>2 Elbows, 90°</b>		
	= 2 x 0.8 m Additional duct length	= 1.6 m	
<b>C</b>	<b>0.5 m plastic piping</b>		
	= 0.5 x 1 m Additional duct length	= 0.5 m	
<b>E</b>	<b>Side connection, left</b>		
	= 1 m Additional duct length	= 1.0 m	
	<b>Effective duct length</b>	<b>= 6.9 m</b>	

Result: A duct diameter of 100 mm is adequate as the effective duct length is less than the 20 m specified in Table II.

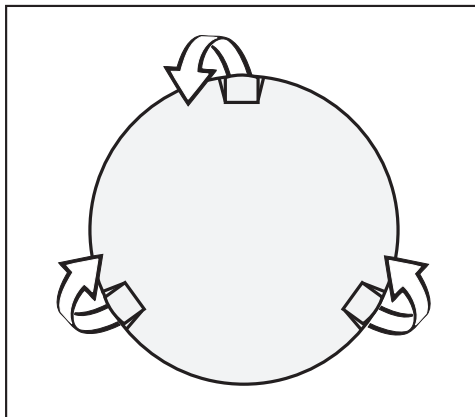
## Installation to the rear, left or right hand side of the machine

### At the rear

The dryer is delivered with this connection open.

- Fit one of the venting systems described on the following pages.

### Left or right side of the machine.

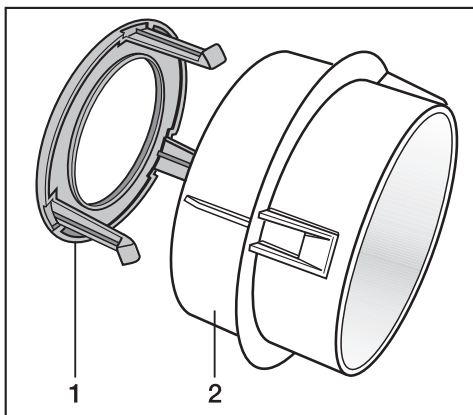


- Remove the left or right hand side cover cap. Do not remove the frame. Refit it in the rear outlet.
- Ensure it is securely in position so that it cannot fall out when the dryer is in operation.
- Fit one of the venting systems described on the following pages.

## Venting systems overview

The various venting systems which are possible are described on the following pages. These include:

- Ⓐ Flexible ducting hose
- Ⓑ Plastic piping or galvanised steel piping
- Ⓒ Connecting directly to the wall vent
- Ⓓ Main venting duct



A **ring adapter\*\*** (1) is installed in adapter (2) for the installation of a flexible vent duct. It reduces time and energy requirements during drying when used in combination with a short **vent duct (maximum 10 m total length)**.

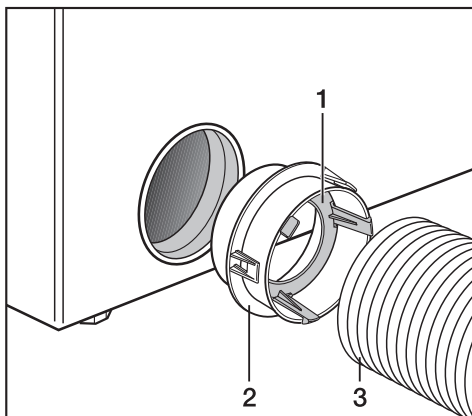
The ring adapter is removable and designed for use with all venting systems.

\*\* Note for test institutes: EN 61121 Standard testing is carried out with the ring adapter.

## Ⓐ Venting system with Flexible ducting hose

This is a simple, cost effective method of directing the moist air outside. The adapter supplied is fitted into the vent opening on the dryer and the ducting hose is then connected to the adapter.

- The following items are required: . . . flexible ducting hose\* . . . a wall vent kit\* or window vent kit\*.
- \* (Miele optional accessory)

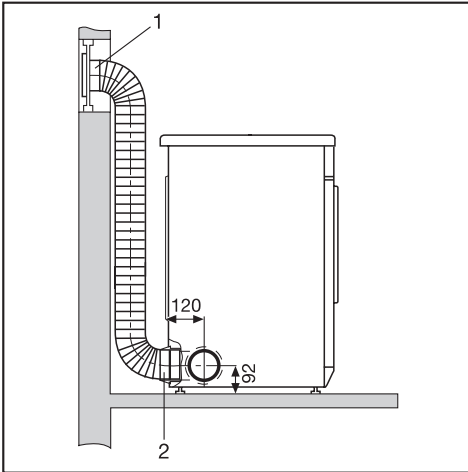


- 1 Ring adapter (1) must be taken out of adapter (2), if the total duct length is longer than 10 m. If the total duct length is less than 10 m the ring adapter (1) should be left in adapter (2).
- 2 Fit adapter (2) into the vent opening on the dryer, and connect vent hose (3).

# Installation - venting

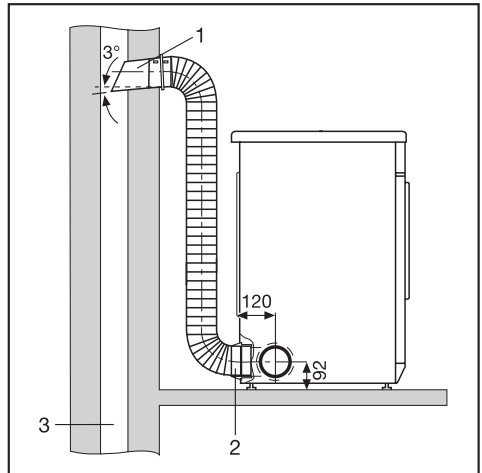
## Installation examples - venting system with flexible hose

### Window vent



1. Window vent kit (fitted in a "plexi-glass" pane)  
(separate fitting instructions are supplied with the Miele window vent kit)
2. Adapter for flexible hose

### Connection to an exhaust flue



1. Pipe with connection piece  
(= supplied with the Miele wall vent kit)
2. Adapter for flexible hose
3. Exhaust flue insulated against damp

**The ducting must not be vented into a chimney or vent flue which is in use, nor should it be connected to ducting which ventilates rooms with fireplaces.**



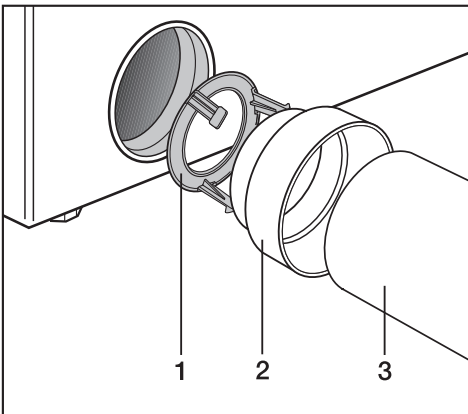
## Ⓑ Venting system with plastic piping

Plastic piping is a good option where the vented air has to be ducted for some distance. The smooth walls of the pipe are less resistant to the vented air than the walls of a flexible vent hose, for example. Time and energy consumption are better with plastic piping.

- The following items are required: . . .
  - . . . an adapter\* with rib on the inside.
  - . . . a wall vent kit\* or window vent kit\*.

\* (Miele optional accessory)

. . . Suitable piping available from your dealer or builder's merchant.  
Where the pipe diameter is more than 100 mm, additional adapters are necessary (e.g. to increase from Ø 100 to 125 mm) to connect the pipe to the dryer.

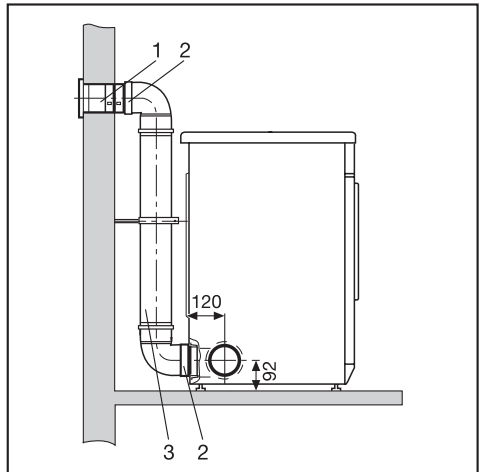


- 1 The ring adapter (1) only needs to be fitted into the Miele adapter (2), if the total duct length is less than 10 m.

If the total duct length is greater than 10 m the ring adapter is not required.

- 2 Fit Miele adapter (2) into the vent opening on the dryer.
- 3 Attach the pipe (3).

## Example



1. Wall vent kit  
(Separate fitting instructions are supplied with the Miele wall vent kit).
2. Adapter
3. Plastic piping, diameter DN 100

# Installation - venting

## © Connecting directly to a wall vent

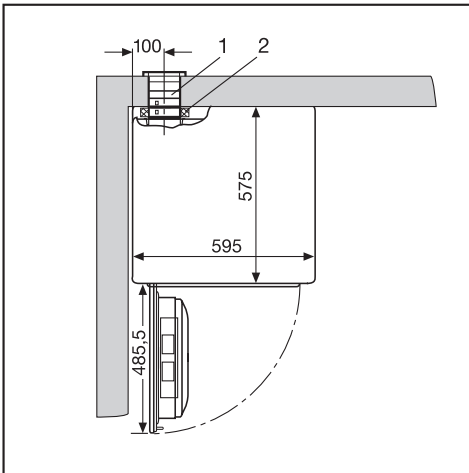
The best method of venting the dryer is to connect it directly to the outside wall of a room. However, it is necessary to insert the wall vent right through the wall.

Because the vented air is blown directly outside, and has only a short distance to go, this system is very efficient in terms of time and energy consumption.

- A wall pipe and a flexible foam gasket must be used (both Miele optional accessories).

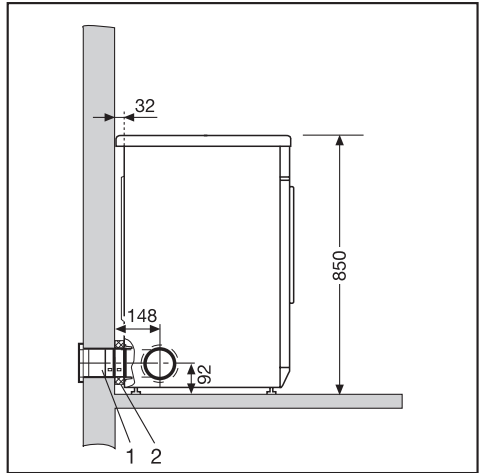
- 1 Before drilling into the wall . . .  
. . . read the installation instructions supplied with the Miele wall pipe.  
. . . and study the following diagrams.

View from above:

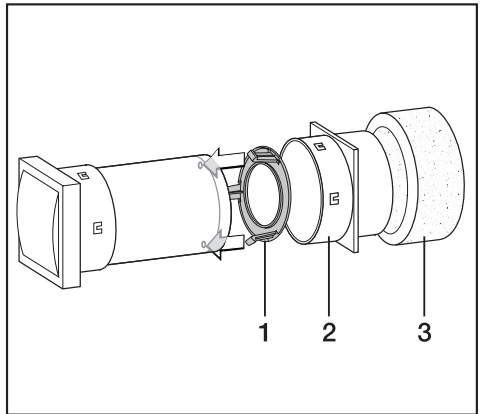


1. Wall pipe
2. Flexible foam gasket

Side view:

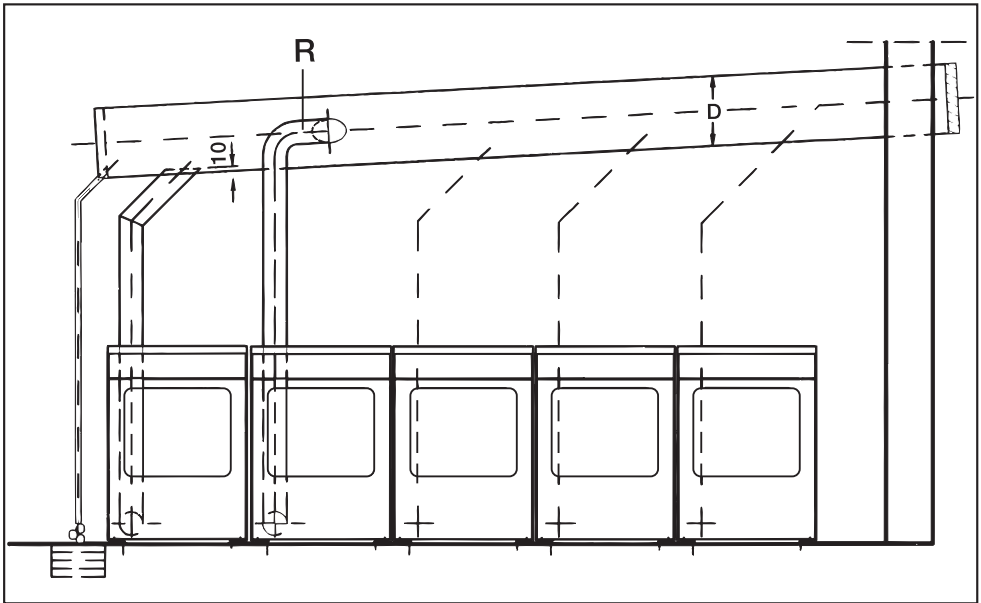


1. Wall pipe
2. Flexible foam gasket



- 2 Insert the ring adapter (1) into the wall pipe.
- 3 Fit the foam gasket (3) on to the connecting piece (2) on the wall pipe and push the dryer up against the wall.

## Ⓓ Main venting duct

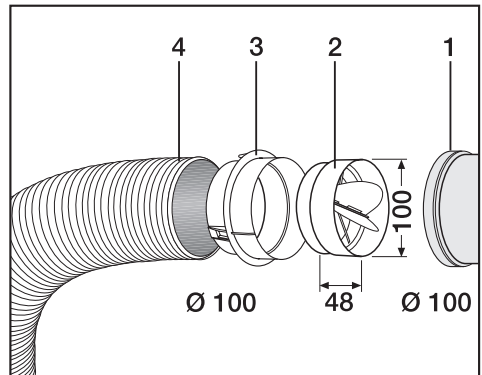


We recommend that when several dryers are being installed each dryer should be fitted with one non-return flap installed directly on the main venting duct (**R**, upper picture). Extra Miele equipment is required for this purpose.

When up to five dryers are being installed, the pipe diameter **D** must be increased according to Table III.

**Table III**

Number of Dryers	Magnification factor for the pipe diameter from Table II
2	1
3	1.25
4 - 5	1.5



- 1 Connection to the main venting duct
- 2 Miele non-return flap
- 3 Additional Miele adapter
- 4 Miele vent hose, very flexible

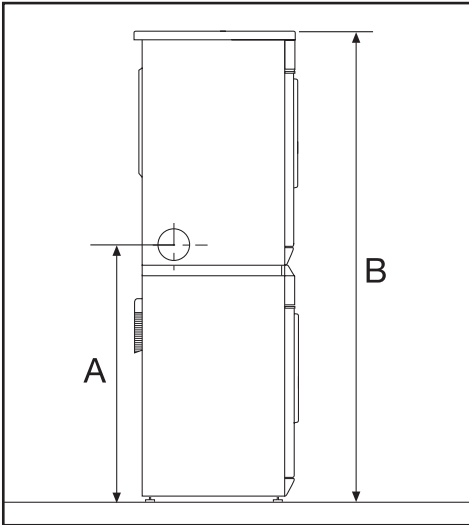
- Push the non-return flap (2) completely into the adapter (3).

# Installation - venting

## Washer dryer stack

### Height of venting outlet for washer dryer stack

Miele washing machine with straight or sloping fascia



Spacer kit\* without worktop:

A = 94.2 cm

B = 170.0 cm

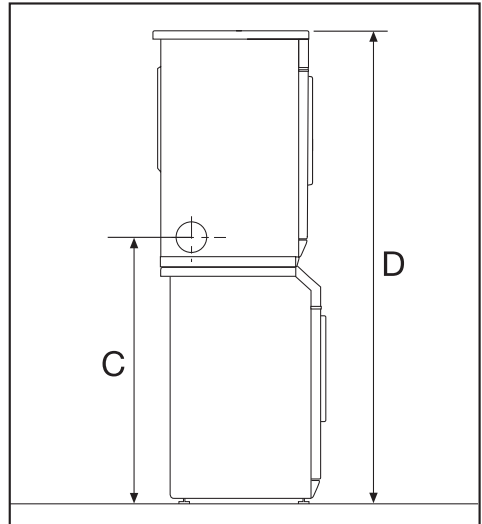
Spacer kit\* with worktop:

A = 92.8 cm

B = 168.6 cm

\* Miele optional accessories

Miele washing machine with Comfort line angled fascia



Spacer kit\* without worktop:

C = 94.2 cm

D = 170.0 cm

Spacer kit\* with worktop:

C = 96.0 cm

D = 171.8 cm

\* Miele optional accessories

# Consumption data

Programme	Capacity	Final spin speed (in a domestic washing machine)	Electricity consump- tion	Drying time incl. cooling down time
	kg	rpm	kWh	Minutes
<b>COTTONS</b>				
<b>Normal +</b>	5.0	1200	2.70	87
		1400	2.60	83
		1600	2.30	75
<b>Normal <sup>(1)</sup></b>	5.0	800 (70 % residual moisture)	3.30	105
<b>Normal</b>	5.0	1200	2.60	83
		1400	2.45	79
		1600	2.20	71
<b>Hand iron <sup>(1)</sup></b>	5.0	800 (70 % residual moisture)	2.60	86
<b>Hand iron</b>	5.0	1200	1.90	64
		1400	1.80	60
		1600	1.50	52
<b>Machine iron</b>	5.0	1200	1.50	52
		1400	1.40	48
		1600	1.15	40
<b>MINIMUM IRON</b>				
<b>Normal <sup>(1)</sup></b>	2.5	1000 (50 % residual moisture)	1.15	40
<b>Hand iron</b>	2.5	1000	1.00	36
<b>Special care</b>				
<b>Woollens, hand care</b>	2.0	-	0.20	3
<b>Smoothing</b>	2.5	-	0.30	8

All values obtained in accordance with standard test EN 61121 (including ring adapter)

<sup>(1)</sup> Test programme in accordance with EN 61121

Consumption data can vary from the nominal values given depending on the load, different types of fabric, residual moisture after spinning, fluctuations in the electricity supply and any additional functions selected.

## Technical data

---

Height	85 cm (adjustable +0.7/-0.7 cm)
Height without lid	82 cm
Width	59.5 cm
Depth	58 cm
Weight	48 kg
Drum volume	100 litres
Maximum capacity	5 kg dry weight
Length of connection cable	1.60 m
Voltage	see data plate
Rated load	see data plate
Plug rating	see data plate
Lamp wattage	see data plate
Energy consumption	see "Consumption data"
Test certificates awarded	Electrically safety, C-Tick Mark
Electrically suppressed	AS/NZS 1044

## Programmable functions for changing standard settings

# Programmable functions

---

## Increased drying level in the COTTONS programmes

The machine is designed to dry using as little energy as possible. However, if you require the laundry to be drier, it is possible to reduce the final moisture level in the COTTONS programmes. Note that programme durations will be longer if this option is activated.

The machine is supplied ex-works with this option switched off. It can be activated if wished.

Follow steps ❶ to ❷ to programme and store in memory.

The programmable functions are activated with the help of the START button and the programme selector.

Before you begin, first ensure that:

- The tumble dryer is switched off.
- The door is closed.
- The programme selector is at *Finish*.

- ❶ Press the START button and keep it pressed in whilst carrying out steps ❷ to ❸.
- ❷ Switch the dryer on with the *I-On / O-Off* button.
- ❸ Wait until the START indicator lamp comes on . . .
- ❹ . . . and then release the START button.
- ❺ Turn the programme selector to the COTTONS *Normal* position.

- If the *Drying* indicator lamp is not flashing, the increased drying level **is deactivated**.
- If the *Drying* indicator lamp is flashing, the increased drying level **is activated**.
- ❻ Pressing the START button switches between activating and deactivating increased drying.
- ❼ Switch the machine off with the *I-On / O-Off* button.

The setting you have selected is now stored in memory. You can change it again at any time.

### To check:

- Carry out steps ❶ to ❺.

If the indicator lamp for *Drying*  
**flashes** = Increased drying level  
**is switched on**  
**is not on** = Increased drying level  
**is switched off**

- Switch off the dryer.

The check is complete.



### Increased drying level in the MINIMUM IRON programmes

The machine is designed to dry using as little energy as possible. However, if you require the laundry to be drier, it is possible to reduce the final moisture level in the MINIMUM IRON programmes. Note that programme durations will be longer if this option is activated.

The machine is supplied ex-works with this option switched off. It can be activated if wished.

Follow steps ❶ to ❷ to programme and store in memory.

The programmable functions are activated with the help of the START button and the programme selector.

Before you begin, first ensure that:

- The tumble dryer is switched off.
- The door is closed.
- The programme selector is at *Finish*.

- ❶ Press the START button and keep it pressed in whilst carrying out steps ❷ to ❸.
- ❷ Switch the dryer on with the *I-On / O-Off* button.
- ❸ Wait until the START indicator lamp comes on . . .
- ❹ . . . and then release the START button.
- ❺ Turn the programme selector to the COTTONS *Low Temperature* position.

- If the *Drying* indicator lamp is not flashing, the increased drying level **is deactivated**.
  - If the *Drying* indicator lamp is flashing, the increased drying level **is activated**.
- ❻ Pressing the START button switches between activating and deactivating increased drying.
  - ❼ Switch the machine off with the *I-On / O-Off* button.

The setting you have selected is now stored in memory. You can change it again at any time.

#### To check:

- Carry out steps ❶ to ❺.

If the indicator lamp for *Drying*  
**flashes** = Increased drying level  
**is switched on**  
**is not on** = Increased drying level  
**is switched off**

- Switch off the dryer.

The check is complete.

# Programmable functions

---

## Buzzer

An audible tone sounds repeatedly at the end of a programme.

The buzzer is activated as standard ex-works. It can be deactivated if wished.

Follow steps ① to ⑦ to programme and store in memory.

The programmable functions are activated with the help of the START button and the programme selector.

Before you begin, first ensure that:

- The tumble dryer is switched off.
- The door is closed.
- The programme selector is at *Finish*.

① Press the START button and keep it pressed in whilst carrying out steps ② to ③.

② Switch the dryer on with the *I-On / 0-Off* button.

③ Wait until the START indicator lamp comes on . . .

④ . . . and then release the START button.

⑤ Turn the programme selector to the COTTONS *Hand iron* position.

– If the *Drying* indicator lamp is flashing, the buzzer **is activated**.

– If the *Drying* indicator lamp is flashing, the buzzer **is deactivated**.

⑥ Pressing the START button switches between activating and deactivating the buzzer.

⑦ Switch the machine off with the *I-On / 0-Off* button.

The setting you have selected is now stored in memory. You can change it again at any time.

### To check:

■ Carry out steps ① to ⑤.

If the indicator lamp for *Drying* **flashes** =

The Buzzer **is activated**

**does not light up** =

The Buzzer **is deactivated**

■ Switch off the dryer.

The check is complete.



## **Miele Australia Pty. Ltd.**

A.C.N. 005 635 398

Melbourne: 1 Gilbert Park Drive, Knoxfield, VIC 3180  
Telephone: (03) 9764 7100, Fax: (03) 9764 7129

Sydney: 3 Skyline Place, Frenchs Forest, NSW 2086  
Telephone: (02) 8977 4200, Fax: (02) 8977 4219

Brisbane: 25 Lavarack Avenue, Eagle Farm, QLD 4009  
Telephone: (07) 3632 2400, Fax: (07) 3632 2449

Adelaide: 209 Richmond Road, Richmond, SA 5033  
Telephone: (08) 8351 8500, Fax: (08) 8354 1717

Distributor Western Australia:

G.B.I. Sales Pty. Ltd., 27-33 Cleaver Terrace, Belmont, WA 6104  
Telephone: (08) 9478 0466, Fax: (08) 9478 0470

Distributor New Zealand:

Steelfort Engineering Company. Ltd.  
500 Rangitikei Street, Palmerston North, NZ  
Telephone: (06) 350 1350, Fax: (06) 356 1507

Steelfort Engineering Company Ltd.  
Unit L, 10-20 Sylvia Park Road, Mt. Wellington, Auckland, NZ  
Telephone: (09) 573 1269, Fax: (09) 573 1268

## **Miele & Cie. GmbH & Co.**

D-33325 Gütersloh, Germany

## Free Manuals Download Website

<http://myh66.com>

<http://usermanuals.us>

<http://www.somanuals.com>

<http://www.4manuals.cc>

<http://www.manual-lib.com>

<http://www.404manual.com>

<http://www.luxmanual.com>

<http://aubethermostatmanual.com>

Golf course search by state

<http://golfingnear.com>

Email search by domain

<http://emailbydomain.com>

Auto manuals search

<http://auto.somanuals.com>

TV manuals search

<http://tv.somanuals.com>