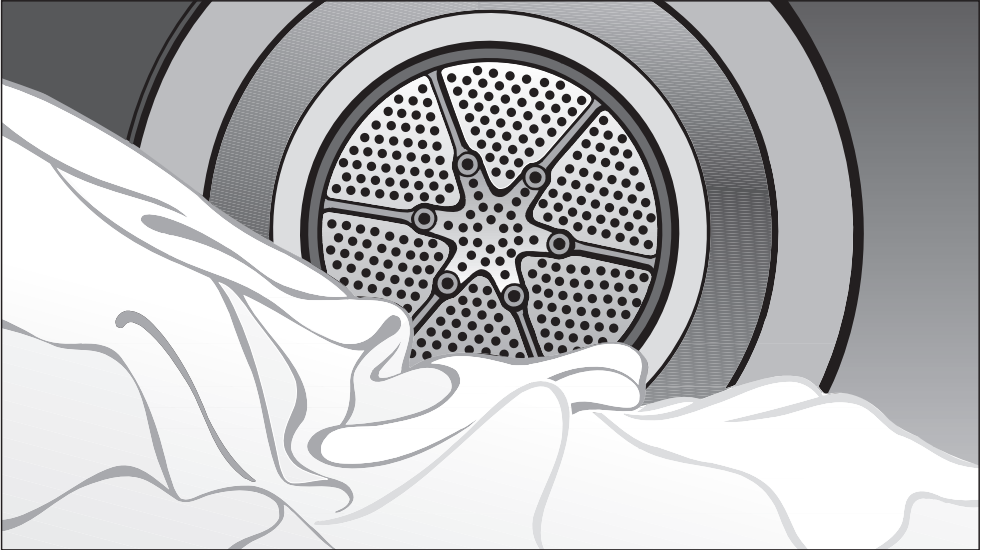


Miele

HONEYCOMB CARE



Operating instructions for vented tumble dryer T 4123

To avoid the risk of accidents
or damage to the machine
it is **essential** to read these
Operating instructions before
it is installed or used for the first time.



M.-Nr. 06 067 720

Contents

Warning and Safety instructions	4
Caring for the environment	7
Disposal of the packing material	7
Disposal of your old machine	7
Energy saving tips	7
Control panel	8
Notes on laundry care	9
Programme chart	10
How to dry correctly	13
❶ Prepare the laundry	13
❷ Load the drum and switch on the dryer	13
❸ Select a programme	14
❹ Start the programme	14
Selecting a different programme	15
Interrupting a programme	15
Adding or removing items	15
To cancel a programme	15
❺ At the end of a programme	15
Cleaning and care	16
Cleaning the fluff filter	16
Tumble dryer	17
Problem solving guide	18
General problems	18
To change the interior drumlamp	22
After sales service	23
Repairs	23
PC indicator lamp (interface for service technicians).	23
Optional accessories	23

Installation	24
Front view	24
Installation site	25
Transporting the machine to its installation site	25
Building under a continuous worktop / in a kitchen run	25
Aligning the machine	26
Washer-dryer stack	26
Electrical connection	27
Electrical connection U.K.	27
Installation - venting	29
General	29
Calculating the effective duct length:	30
Installation to the left or right side of the machine	31
Adapter	32
Ⓐ Venting system with flexible ducting	32
Ⓑ Venting system with plastic piping	34
Ⓒ Connecting directly to a wall vent	35
Washer dryer stack	36
Consumption data	37
Technical data	38
Programmable functions	40
Increased drying level in the COTTONS programmes	40
Increased drying level in the MINIMUM IRON programmes	41
Buzzer	42

Warning and Safety instructions

To avoid the risk of accidents and damage to the machine please read these instructions carefully before using it for the first time. They contain important information on its safety, use and maintenance. Keep these operating instructions in a safe place and ensure that new users are familiar with the content. Pass them on to any future owner of the machine.

Correct use

The tumble dryer is only intended for drying fabrics which have been washed in a water solution, marked on the manufacturer's wash care label as being suitable for tumble drying. "Dry Cleaning Kits" for freshening up garments in a tumble dryer are increasingly available on the market. If using, do so at your own risk and follow the instructions provided on the packaging. Any other applications may be dangerous. The manufacturer is not liable for damage resulting from improper use or operation.

This machine is not a toy! To avoid the risk of injury, do not allow children to play on or near it, or to play with the controls. Supervise its use by the elderly or infirm.

Technical safety

Before setting up the machine check it for any externally visible damage. Do not install or use a damaged machine.

Before connecting the machine, ensure that the connection data on the data plate (fusing, voltage and frequency) matches the mains electricity supply. If in any doubt, consult a qualified electrician.

The electrical safety of this machine can only be guaranteed when continuity is complete between the machine and an effective earthing system which complies with local and national regulations. It is most important that this basic safety requirement is regularly tested, and where there is any doubt the household wiring system should be inspected by a qualified electrician. The manufacturer cannot be held liable for the consequences of an inadequate earthing system (e.g. electric shock).

Do not connect the machine to the mains electricity supply by an extension lead. Extension leads do not guarantee the required safety of the machine (e.g. danger or overheating).

The machine is built in accordance with current safety requirements. Unauthorised repairs could result in unforeseen dangers for the user, for which the manufacturer cannot accept liability. Repairs should only be undertaken by a Miele approved technician.

Ensure current is not supplied to the machine while maintenance or repair work is being carried out.

Faulty components must only be exchanged for Miele original spare parts. Only when these parts are fitted can the safety standards of the machine be guaranteed.

Warning and Safety instructions

■ If the connection cable is faulty it must only be replaced by a Miele approved service technician to protect the user from danger.

■ In the event of a fault or for cleaning purposes, the machine is only completely isolated from the electricity supply when:

- it is switched off at the wall socket and the plug is withdrawn, or
- it is switched off at the mains, or
- the mains fuse is withdrawn.

Operation

■ This equipment is not designed for maritime use or for use in mobile installations such as caravans, aircraft etc. However, it may be suitable for such usage subject to a risk assessment of the installation being carried out by a suitably qualified engineer.

■ This dryer must not be:

- connected to a chimney or vent flue which is in use.
- used without exhaust ducting.
- used without the fluff filter in place or if the fluff filter is damaged in any way.

■ Check all parts of the extraction system on a regular basis (e.g. wall vent, external grille, bends in the ducting etc.) and make sure they are all free of any hindrance. A build-up of fluff will prevent a free-flow of air through the system. If the dryer is to be connected to an existing ducting system this must be checked for suitability beforehand.

■ Adequate ventilation is essential, especially where another appliance which also uses the room air (e.g. gas, oil or coal fired heater, continuous flow or other water heater) is installed in the same or an adjacent room.

To ensure safe operation, and to prevent gases given off by these appliances being drawn back into the room, an underpressure of 0.04 mbar is the maximum permissible. Ventilation can be maintained by air inlets which cannot be blocked, in windows, doors and outside wall vents, or by an automatic window opening arrangement when the tumble dryer is switched on. If in doubt, the advice of a competent builder, or for gas, a "Corgi" installer (in UK) must be sought.

■ The exhaust air must not be vented into a chimney or vent flue which is in use, nor should it be connected to ducting which ventilates rooms with fireplaces. It would be dangerous if smoke or exhaust fumes were drawn back into the room.

■ Do not install the machine in a room where the temperature may drop down to or below freezing. At very cold temperatures the machine may be difficult to start.

■ Always keep the area around the machine free of dust and fluff.

Warning and Safety instructions

■ Always close the door after use.
This way you will avoid the danger of:

- children climbing onto or into the dryer or hiding things in it.
- pets or other small animals climbing into it.

■ Do not let anyone sit or lean on the door, as this can cause the machine to tip up.

■ There is danger of fire with fabrics which:

- contain a large proportion of rubber, foam rubber or rubber like materials.
- have been treated with inflammable cleaning agents.
- have been splashed with hair lacquer, hair spray, nail varnish remover or similar substances.
- contain padding or fillings (e.g. pillows, jackets). If these were damaged the filling could leak out with the risk of igniting in the dryer.
- are soiled with oil or grease.

In countries where there are areas which may be subject to infestation by cockroaches or other vermin, pay particular attention to keeping the machine and its surroundings in a clean condition at all times. Any damage which may be caused by cockroaches or other vermin will not be covered by the machine guarantee.

Using accessories

■ Accessory parts may only be fitted when expressly approved by Miele. If other parts are used, guarantee, performance and product liability claims may be invalidated.

■ The manufacturer cannot be held liable for damage caused by non-compliance with these Warning and Safety instructions.

Disposal of the packing material

The transport and protective packing has been selected from materials which are environmentally friendly for disposal and can normally be recycled.

Ensure that any plastic wrappings, bags etc. are disposed of safely and kept out of the reach of babies and young children. Danger of suffocation!

Rather than just throwing these materials away, please ensure they are offered for recycling.

Disposal of your old machine

Old machines contain materials which can be reclaimed or recycled. Please contact your dealer, your local waste collection centre or scrap merchant about potential recycling schemes.

Ensure that the machine presents no danger to children while being stored for disposal.

Before throwing an old machine away unplug it and render the plug useless. Cut off the cable directly behind the machine to prevent misuse. This should be done by a competent person.

Energy saving tips

- Make sure that your laundry is thoroughly spun before drying.

The higher the spin, the greater the savings that can be made in energy and time during drying.

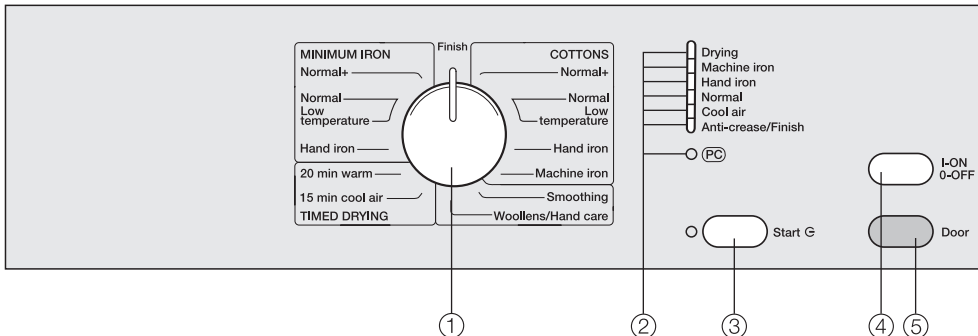
- Load according to the optimum amount of laundry recommended for the programme being used (see "Programme chart").

Underloading is uneconomical. Overloading gives a poorer quality of drying and may cause unnecessary creasing.

- To avoid unnecessarily long drying times and high consumption of energy:
 - Make sure the room in which the dryer is located is well ventilated.
 - Make sure the fluff filter is clean before using the dryer.
 - Check all parts of the ventilation system on a regular basis and remove any build up of fluff etc.
- The vent ducting should be as short, straight and smooth as possible to minimise any resistance to the air throughflow.

This helps to reduce running times and energy consumption levels.

Control panel



① Programme selector

The programme selector can be turned clockwise or anti-clockwise.

② Programme sequence and check lamps

③ Start button

Press the *Start* button to start a programme.
The *Start* indicator lamp will flash as soon as a programme can be started. It lights up constantly once the programme has started.

④ I-On/0-Off button

To switch the machine on or off / to interrupt a programme.

⑤ Door Button

To open the door / to cancel a programme.
Pressing this button will open the door even when the machine is switched off at the mains.

If the machine is switched on at the mains and the door is opened the drum lighting will come on. It will go out a few minutes later to save energy.

Wash care labels

Before drying check the drying symbol on the wash care label.

Significance of symbols:

- Dry at normal temperature
- Dry at low temperature
- Do not tumble dry

If no symbol is featured, dry at your own risk applying the following principles:

Cotton and minimum iron items should be dried using the appropriate programme for the degree of drying required. See programme chart.

For delicates and fabrics with the following wash care label dry using the *Low temperature* option.

Never overload the drum. Do not exceed the maximum recommended loads given in the "Programme chart". Overloading can cause unnecessary wear and tear to the laundry, give a disappointing drying result and cause more creasing.

Do not put soaking wet items into the tumble dryer. Spin them thoroughly after washing using the appropriate spin speed.

Tips on drying

Woollens and wool blends tend to become matted and shrink if dried in a tumble dryer. They can, however, be partially dried using the *Woollens hand care* programme.

Items filled with down.

The fabric lining on these garments may shrink depending on the quality. They can be partially dried using the *Smoothing* programme.

Pure linen should only be machine dried if specified as suitable by the manufacturer on the wash care label, as the surface of the fabric may otherwise "roughen". These items can be partially dried using the *Smoothing* programme.


Woven and loopknit materials (e.g. T-shirts, knitted garments) have a tendency to shrink, depending on their quality and this is made worse by over-drying. When purchasing these garments it is advisable to take their shrinkage properties into account.

Minimum iron fabrics and 100% cotton shirts or blouses tend to crease more, the larger the load being dried, particularly when the weave of the fabric is very fine. Reduce the load or use the MINIMUM IRON - *Hand iron* programme with a max. load of 1 kg. If this is unsatisfactory use the Special care "Smoothing" setting, then hang the garments on a hanger to dry.

Starched laundry can be dried in the tumble dryer. In order to achieve the usual finish, double the amount of starch should be used.

New dark coloured garments should be dried separately from light coloured garments to avoid the danger of colours running.


Programme chart

Programmes	Fabric type	Special notes
COTTONS		maximum load: 5 kg ⁽¹⁾
Drying levels		
Normal+	Single and multi-layered fabrics, e.g. mixed load of cotton fabrics (e.g. towelling, jerseywear).	-
Normal ⁽²⁾	Load of similar cotton fabrics (jersey wear, flannelette sheets, towelling).	If laundry is still too damp, then: - finish drying using Timed drying <i>Warm air</i> . - use the <i>Normal+</i> programme next time.
Low temperature	For drying delicate fabrics with the symbol  (e.g. acrylic garments).	Laundry is dried using the <i>Normal</i> programme, but at a lower temperature.
Hand iron ⁽²⁾	Cotton or linen fabrics (e.g. table linen, bed linen, starched laundry etc.).	-
Machine iron	Cotton or linen fabrics, including starched laundry for machine ironing.	The laundry should be rolled up to prevent it from drying out before it can be ironed.

⁽¹⁾ Weight of dry laundry

⁽²⁾ Note for test institutes: Programme setting for testing according to EN 61121 standard

Programme chart

Programmes	Fabric type	Special notes
MINIMUM IRON		maximum load: 2.5 kg ⁽¹⁾
Drying levels		
Normal+	Minimum iron items which are made of synthetic or blended fabrics (e.g. pullovers, dresses, trousers) which are not dried adequately in the <i>Normal</i> programme.	Spin minimum iron fabrics for at least 30 seconds in the washing machine before drying them.
Normal ⁽²⁾	Minimum iron shirts, table cloths etc. made of mixed fibres, e.g. cottons / synthetics.	Spin minimum iron fabrics for at least 30 seconds in the washing machine before drying them.
Low temperature	For drying delicate fabrics with the symbol  (e.g. acrylic garments).	Laundry is dried using the <i>Normal</i> programme, but at a lower temperature. Spin minimum iron fabrics for at least 30 seconds in the washing machine before drying them.
Hand iron	Minimum iron shirts, table cloths etc. made of mixed fibres, e.g. cottons / synthetics, which are still to be hand ironed.	Spin minimum iron fabrics for at least 30 seconds in the washing machine before drying them. For extra special care of delicate fabrics and to reduce creasing even more, reduce the load to 1 kg. See also "Special care programmes".

⁽¹⁾ Weight of dry laundry

⁽²⁾ Note for test institutes: Programme setting for testing according to EN 61121 standard

Programme chart

Programme	Fabric type	Special notes
Special care programmes		
Woollens hand care		maximum load: 2 kg ⁽¹⁾
	Woollen fabrics	To refresh and fluff up woollen garments quickly. Remove garments immediately at the end of the programme. Do not repeat. Woollen fabrics are not dried completely by this programme.
Smoothing		maximum load: 2.5 kg ⁽¹⁾
	Cottons and linen fabrics. Minimum iron items made of cotton, blended fabrics or synthetics, e.g. cotton trousers, shirts.	Smooths out creasing caused during the spin cycle in the washing machine. Fabrics are not completely dried in this programme. Remove garments immediately at the end of the programme and place on a line or hangers to dry.
TIMED DRYING		
		maximum load: 5 kg ⁽¹⁾
Warm air	Individual items (e.g. bathing costumes, bath towels, tea-towels). Multi-layered fabric whose layers have different drying characteristics.	-
Cool air	Items which are to be aired only.	-

⁽¹⁾ Weight of dry laundry

1 Prepare the laundry

- As far as possible, sort laundry for:
 - the type of fibre or weave,
 - the degree of dryness required,
 - similar size of items,
 - the moisture content after spinning.

This will help towards achieving an even drying result.

Fasten duvet covers etc. to prevent small items from being rolled up inside them.

Do up zips, hooks and eyes etc.

Tie fabric belts, apron strings.

Sew in or remove underwiring from bras.

Make sure there is no detergent dispenser ball etc. in with the laundry, as this could melt and damage the machine and the laundry.

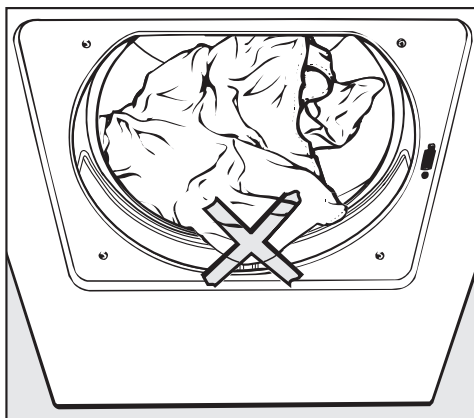
2 Load the drum and switch on the dryer

- Press the door button and open the door.
- Load the laundry loosely into the drum.

Do not overload the drum. Overloading can cause unnecessary wear and tear to the laundry and give a disappointing drying result.

See the "Programme chart" for maximum recommended loads.

- Before closing the door check that the fluff filter is correctly positioned in the door.

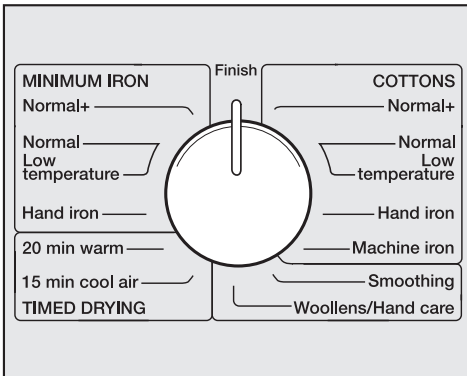


When closing the door make sure items of laundry cannot be trapped by the door, as this will cause damage to the laundry.

- Shut the door either with a gentle swing or lean against it and push it shut.
- Switch the dryer on by pressing the "I-On/O-Off" button.

How to dry correctly


3 Select a programme



- Turn the programme selector to the required programme.

See "Consumption data" chart for programme durations.

Low temperature

- For drying particularly delicate fabrics (care symbol ) e.g. acrylics turn the programme selector to the *Low temperature* position.

Because the temperature is reduced for the Low temperature settings, programme durations will be increased and laundry will take longer to dry.

4 Start the programme

- Press the *Start* button.

The drying cycle begins.

The drying stage reached is shown by the sequence indicator lamps on the right hand side of the control panel.

At the end of the drying phase a cooling down phase commences to cool the laundry down. The *Cool air* indicator lights up.

The required degree of dryness has now been reached.

Selecting a different programme

As long as the cooling down phase or the anti-crease phase has not been reached it is possible to change a programme after it has started by turning the programme selector to a different programme position.

Interrupting a programme

- Switch the machine off with the *I-On / 0-Off* button.

To continue drying:


- Switch the dryer on with the *I-On / 0-Off* button.

With COTTONS and MINIMUM IRON programmes the programme will continue unless the cooling down or anti-crease phase has been reached.

With other programmes:

- Press the *Start* button.

Adding or removing items

 Do not touch the back of the drum when adding or removing items. The drum could be very hot - danger of burning.

- Open the door. Take out or add items as required.
- To continue drying close the door and press *Start*.

To cancel a programme

- Turn the programme selector to *Finish* or open the door .

The programme has been successfully cancelled when only the *Anti-crease/Finish* indicator lamp is on.

5 At the end of a programme

At the end of a programme the *Anti-crease/Finish* lamp will come on in the sequence display and the buzzer will sound.

The drum will continue to rotate at intervals to prevent laundry creasing, if you do not wish to remove it immediately. This anti-crease phase lasts for a maximum of 60 minutes, except with the *Woolens hand care* programme.

- Press the *Door* button and open the door.
- Remove the laundry.

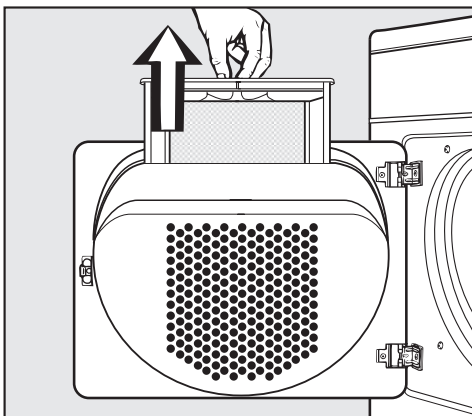
Make sure that the drum is empty. If items are left in the dryer, they could be damaged by overdrying when the dryer is next used.

- Clean the filter.
- Close the door.
- Switch the dryer on by pressing the *I-On/0-Off*.

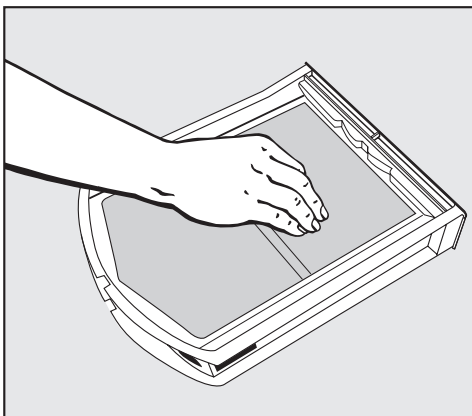
Cleaning and care

Cleaning the fluff filter

The fluff which is created by the drying process is collected in the fluff filter in the door. Clean the filter after **every** drying cycle.



- Open the door and pull the fluff filter out of the door as illustrated.



- Use your fingers to remove the fluff from the surface of the filter.
- Remove any fluff from the hollow part of the door holder.

A cleaning brush is available as an optional extra from your Miele dealer or the Miele Spare Parts Department.

You can also use a vacuum cleaner.

- Once clean, push the filter back into the door holder until it clicks into position. Ensure it is facing the correct way. Close the door.

If there is a great deal of compacted fluff on the filter, it can be cleaned under hot running water.

- After cleaning shake thoroughly until no more water droplets are visible.
- Dry the filter carefully.
- Push the filter back into the door holder until it clicks into position. Make sure it is the right way round.

Tumble dryer

Disconnect the machine from the power supply.

- Clean the housing and control panel with a mild cleaning agent or soapy water.
Clean the drum and other stainless steel parts with a suitable proprietary stainless steel cleaner following the manufacturer's instructions.

Do not use solvents, abrasive cleaners, glass cleaners or all-purpose cleaners. These could damage plastic surfaces and other parts. The machine must never be hosed down.


- Dry all parts with a soft cloth.

E-Cloth

A microfibre "E-Cloth" is available from the Miele UK Spare Parts Department, which is suitable for cleaning surfaces such as stainless steel, glass, plastic and chrome without the use of chemicals. It can be washed 300 times.

Problem solving guide

With the help of the following notes minor faults in the performance of the machine, some of which may result from incorrect operation, can be put right without contacting the Service Department.

 Repair work to electrical equipment should only be carried out by a suitably qualified person in accordance with local and national safety regulations. Repairs and other work by unqualified persons could be dangerous. The manufacturer cannot be held liable for unauthorised work.

General problems

Problem	Possible cause	Remedy
The tumble dryer fails to start when switched on.	No obvious cause.	<ul style="list-style-type: none">– Have you followed the switch-on procedure correctly (see “How to dry correctly”)?– Is the plug correctly inserted in the socket and switched on?– Is the door closed properly?– Has the fuse or circuit breaker tripped?
Items made of synthetic fibres are charged with static electricity after drying.	Synthetic fibres tend to attract static charge.	Static charge can be reduced by adding a fabric conditioner to the final rinse in the washing machine or a fabric conditioner sheet to the load in the dryer.

Problem solving guide

Problem	Possible cause	Remedy
There is a build up of fluff.	Fluff is principally the result of friction when garments are being worn and washed. Machine drying hardly causes any fluff to form and, has been established by research institutes, to have no effect on the lifetime of fabric.	Fluff is collected by the fluff filters and can be easily removed (see "Cleaning and Care").
The laundry is not sufficiently dry.	The load consisted of different fabrics.	<ul style="list-style-type: none">– Finish drying using "Timed drying - Warm air".– Select a more suitable drying programme next time (see "Programme chart").
The interior drum lighting does not come on.	The lighting switches off automatically (to save energy).	Switch the dryer off and then on again.
	The lamp needs changing.	Change the lamp as described at the end of this section.

Problem solving guide

Problem	Possible cause	Remedy
<p>The drying process goes on too long or even switches off.</p>	<p>Important: Before attempting to remedy one of the following causes, switch the dryer off and switch on again to start the programme again.</p>	
	<p>Ventilation to the dryer is insufficient (e.g because it is installed in a room which is too small).</p>	<p>Open a door or window while the machine is in operation for increased air flow.</p>
	<p>The fluff filter may be blocked.</p>	<p>Remove any fluff.</p>
	<p>The laundry has not been spun sufficiently.</p>	<p>Make sure that your laundry is thoroughly spun at highest spin speed for the type of fabric.</p>
	<p>The tumble dryer has been overloaded.</p>	<p>Do not exceed the maximum load for the programme selected.</p>
	<p>Metallic components, e.g. zips have prevented the dryer from registering the correct moisture level in the laundry.</p>	<p>– Close zips and fasten any hooks next time. If the problem occurs again, dry garments with long zips using "Timed drying - Warm air".</p>
	<p>The vent ducting or the ventilation outlet is blocked;</p>	<p>– Check all parts of the extraction system on a regular basis (e.g. wall vent, external grille, bends in the ducting etc.) and make sure they are all free of any hindrance. – Remove any fluff.</p>

Problem solving guide

Problem	Possible cause	Remedy
The programme has stopped. The <i>Anti-crease/Finish</i> lamp has come on in the sequence display and the buzzer is sounding.	This is not a fault. The electronic unit has recognised that there is no laundry in the drum and cancelled the programme. Drying individual garments or items which are already dry can also cause the programme to be stopped.	Use the "Timed drying - Warm air" programme to dry individual items. Before changing a programme: Open and close the drum door.
The programme has been interrupted. The indicator lamp for <i>Hand iron</i> or <i>Machine iron</i> is flashing, and the buzzer sounds.	No obvious cause.	<ul style="list-style-type: none">– Switch the dryer off and then on again.– Then start the programme again. If the programme stops again and the fault message reappears there is a fault. Contact the Miele Service Department.

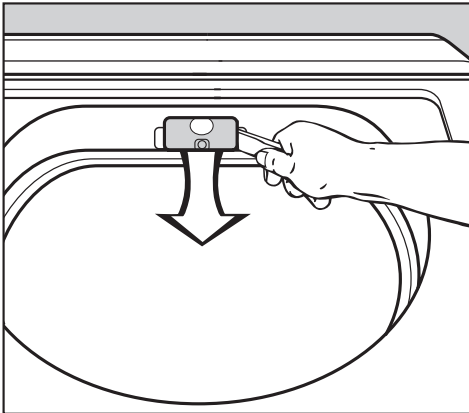
Problem solving guide

To change the interior drum lamp

- Open the door.

Before changing the lamp, disconnect the machine from the mains power supply.

You will find the interior lamp cover at the top of the drum aperture.



- Insert the opener under the side edge of the cover as illustrated.
- Turn your wrist to make the cover open downwards.

The temperature resistant lamp should only be ordered from your Miele dealer or the Miele Spare Parts Department.

The lamp must not exceed the maximum wattage quoted on the data plate and on the lamp cover.

- Replace the lamp.

- To close the flap push it upwards and press it on the left and right until you hear it click into position.

The cover must be fixed securely, as otherwise moisture may seep in and cause a short circuit.

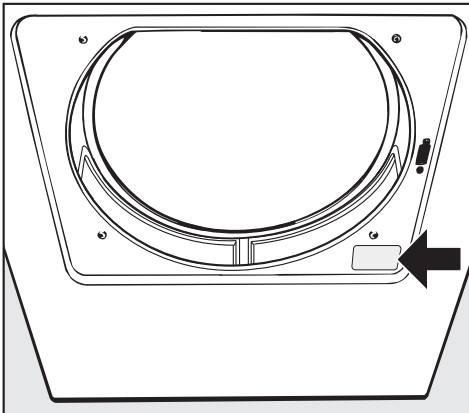
After sales service

Repairs

In the event of any faults which you cannot remedy yourself, please contact

- your Miele Dealer or
- The Miele Service Department (see back cover for address).

When contacting the Service Department, please quote the model and serial number of your machine, both of which are shown on the data plate situated on the right hand side below the drum aperture.



Please note that telephone calls may be monitored and recorded to improve our service.

PC indicator lamp (interface for service technicians)

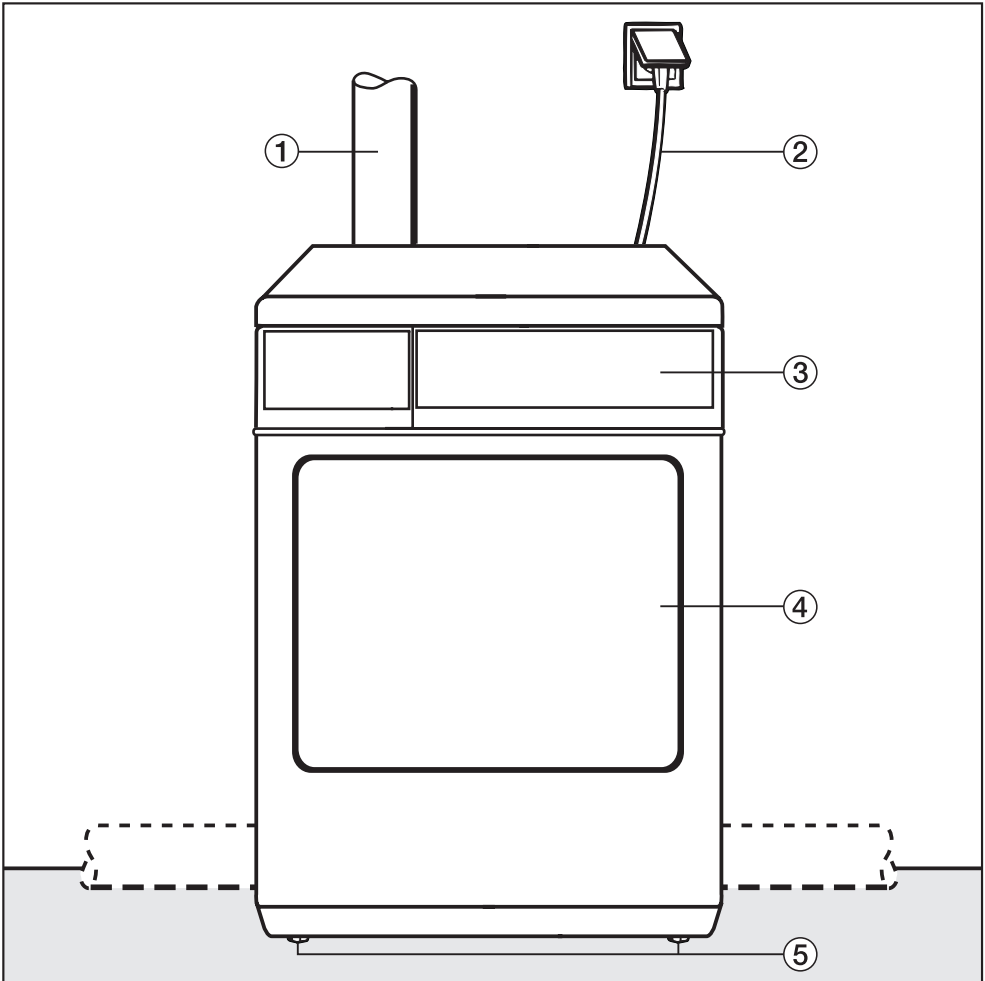
The indicator lamp marked PC on the fascia panel is the interface used by the Miele service technicians during service work for testing purposes.

Optional accessories

Optional accessories for these dryers are available from your Miele Dealer or from the Miele Spare Parts Department.


Installation

Front view



- ① Venting connection: rear, right or left
(supplied with the rear socket open)
- ② Supply cable for electrical
connection
- ③ Control panel
- ④ Door
- ⑤ Four height-adjustable screw feet

Installation site


 Make sure the dryer door can be opened without hindrance after installation.

Transporting the machine to its installation site

When moving the machine you can hold it by the lid where it protrudes to the rear of the dryer. To manoeuvre the dryer out of its packing case to its installation site you will also need to hold it by the front feet.

Building under a continuous worktop / in a kitchen run

The space required by the vent duct must be taken into consideration when calculating the distance between the machine and a wall or other machines or furniture on either side.

 A **building under kit*** is required which must be fitted by a suitably qualified person. The machine lid is replaced by a coverplate. It is essential that the coverplate is fitted to ensure electrical safety.

- When installing under a 900/910 mm high worktop a spacer kit* is required.
- Flat ducting* is required if there is not enough space for a ventilation ducting hoses or pipes.
- The electrical socket must be located in an accessible position near the machine.

* Available as an optional accessory from your Miele dealer or the Miele Spare Parts Department.

The building under kit is supplied with its own installation instructions.

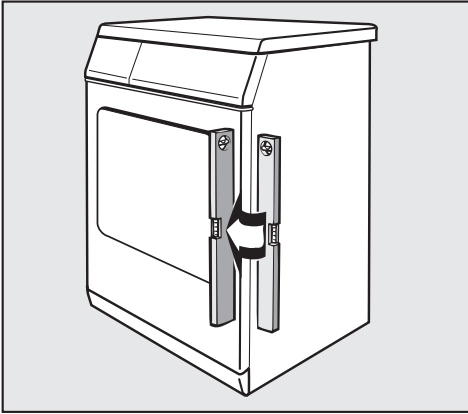
N.B. When built under drying times may be longer.

Replacing the lid

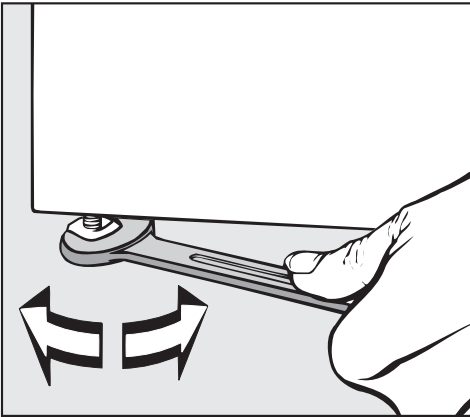
If the lid has been removed in order to fit a cover plate, ensure that, if the lid is replaced, it fits securely into the rear holders. Otherwise, it is not properly secure for transport.

Installation


Aligning the machine



The machine must be perfectly level to ensure safe and proper operation.




- The screw feet can be adjusted to compensate for any unevenness in the floor.

 A ventilation gap of 10 mm must be maintained between the base of the machine and the floor. It must not be blocked by deep pile carpets, plinths, etc as this would prevent a sufficient intake of air.

Washer-dryer stack

The tumble dryer can also be combined with a Miele washing machine in a washer-dryer stack. To do this the appropriate stacking kit* (WTV) to match your washing machine is required.

* Available as an optional accessory from your Miele dealer or the Miele Spare Parts Department.

 Stacking kits must only be installed by suitably qualified fitters.

Electrical connection U.K.

All electrical work should be carried out only by a suitably qualified and competent person, in strict accordance with national and local safety regulations.

Ensure power is not supplied to the machine while installation work is being carried out.

The machine is supplied with a mains cable with moulded plug for connection to a 230-240V mains supply. **The voltage, rated load and fuse rating are given on the data plate.** Please ensure these match the household mains supply.

Connection should be made via a fused plug and suitable switched socket which is easily accessible after installation.

For extra safety it is advisable to install a residual current device (RCD), with a trip current of 30 mA (in accordance with DIN VDE 0664, VDE 0100, section 739).

Do not connect via an extension lead.

Important

The wires in the mains lead are coloured in accordance with the following code:

Green/yellow = earth

Blue = neutral

Brown = live

Electrical connection U.K. Non-rewireable plugs BS 1363

If this machine is fitted with a non-rewireable plug and the socket outlets are not suitable for the plug supplied or if the existing plug needs to be replaced by a new one, the old plug will need to be cut off and an appropriate plug fitted. The fuse carrier and the fuse should be removed from the old plug and disposed of.

The plug cut from the cable should then be disposed of and on no account be inserted into any socket elsewhere in the house (electric shock hazard).

The fuse cover must be refitted when changing the fuse, and if the fuse cover is lost, the plug must not be used until a suitable replacement is obtained. The colour of the correct replacement cover is that of the coloured insert in the base of the plug, or the colour that is embossed in words on the base of the plug (as applicable to the design of plug fitted).

Replacement fuses should be ASTA approved to BS 1362 and have the correct rating. Replacement fuses and fuse covers may be purchased from your local electrical supplier.

Electrical connection

If the colours of the wires in the mains lead of this machine do not correspond with the coloured markings identifying the terminals of your plug, proceed as follows:

- The wire which is coloured green and yellow must be connected to the terminal in the plug which is marked with the letter E or by the earth symbol \perp or coloured green, or green and yellow.
- The wire which is coloured blue must be connected to the terminal in the plug which is marked with the letter N or coloured black.
- The wire which is coloured brown must be connected to the terminal in the plug which is marked with the letter L or coloured red.

**WARNING: THIS APPLIANCE
MUST BE EARTHED**

General

Important

Before operating the tumble dryer, a suitable ducting system must be installed to carry the moist air from the dryer to the outside.

This can be: . . .

. . . flexible ducting hose, or plastic piping connected to the dryer, or

. . . or the dryer may be connected directly to the wall vent.

- Before installing the ducting system, ensure that the machine is not connected to the power supply.
- The ducting outlet (e.g. wall pipe) should be installed in such a way that the moist expelled air . . .
 - . . . cannot be drawn back into the room in which the dryer is installed;
 - . . . cannot cause any damage to the building or other nuisance.
- Adequate ventilation is essential as the dryer uses the room air. Ventilation can be maintained by:
 - an open window;
 - an air inlet which cannot be blocked in windows, doors and outside wall vents;
 - a window switch which prevents the dryer being used when the window is closed.

Avoid:

- very long ducting systems
- too many bends or corners; tight corners;

Otherwise the drying result will be less effective and it will take longer and use more energy.

Suitable materials

- for the ventilation ducting:
 - flexible ducting* or plastic piping with a diameter of at least 100 mm.
- for venting to the outside:
 - a wall pipe kit* or a window vent kit*.

* Available from your Miele dealer or the Miele Spare Parts Department.

Procedure

- First measure the duct length required. Calculate the effective duct length and establish the internal duct diameter required (use the tables on the next page).
- Then decide which type of ducting you want to use (see "Venting systems" in this section).

Installation - venting

Calculating the effective duct length:

Friction against the inner walls of the ducting will slow down the expelled air as it passes through. An elbow, bend, non-return flap or wall vent creates more friction than a straight duct. The friction created by each of these is expressed as an **additional duct length factor**. The additional length factors are calculated by comparing the friction created by, for example, an elbow to that created by 1 metre of straight plastic piping (Table I).

The additional duct length factor for each item needs to be added together to ascertain the **effective duct length** required.

A larger **internal duct diameter** also helps reduce friction. If the effective duct length is **more than 20 m** the duct diameter should be increased (Table II).

1. To calculate the effective duct length required:

- First measure the distance which will require straight ducting. Multiply this amount by the corresponding additional duct length factor in **Table I**.
- Establish the number of angles, bends etc. necessary and add their additional duct length factors together with the help of **Table I**.
- Add all the additional duct length factors together to get the effective duct length.

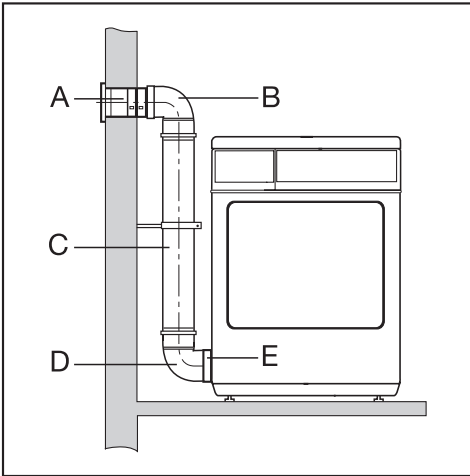
2. Internal duct diameter

- Refer to **Table II** for the appropriate duct diameter required.

Table I	
	Additional duct length factor
Flexible ducting*	
– 1 m laid straight	1.8 m
– 45° angle (Bend radius = 0.25 m)	1.5 m
– 90° angle (Bend radius = 0.25 m)	2.5 m
Flexible aluminium ducting* / plastic piping	
– 1 m laid straight / or 1 m straight pipe	1.0 m
– 45° angle / elbow (Bend radius = 0.25 m)	0.6 m
– 90° angle / elbow (Bend radius = 0.25 m)	0.8 m
Wall vent kit* or window vent kit*	
– with louvred grille	3.8 m
– with non-return flap (hinged flap)	1.5 m
Non-return flap* to be integrated into the vent ducting	14.3 m
Flat ducting (for washer dryer stack)*	11.0 m
Venting connection to the left/right	1.0 m
* optional accessory from Miele	

Table II	
Maximum effective duct length allowable	Internal duct diameter required
10 m with Ring adapter	100 mm
20 m without Ring adapter	100 mm
40 m without Ring adapter	125 mm
100 m without Ring adapter	150 mm

3. Example



A	Wall pipe, with louvred vent	= 1 x 3.8 m Additional duct length	= 3.8 m
B/D	2 Elbows, 90°	= 2 x 0.8 m Additional duct length	= 1.6 m
C	0.5 m plastic piping	= 0.5 x 1 m Additional duct length	= 0.5 m
E	Side connection, left	= 1 m Additional duct length	= 1.0 m
	Effective duct length		= 6.9 m

Result: A duct diameter of 100 mm is adequate as the effective duct length is less than the 20 m specified in Table II.

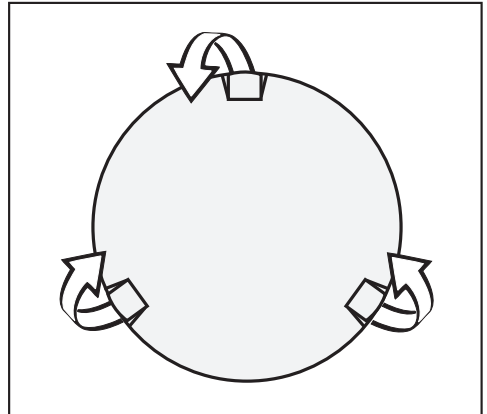
Installation to the left or right side of the machine

At the rear

The connection is opened at the factory.

- Fit one of the venting systems described on the following pages.

Left or right side of the machine



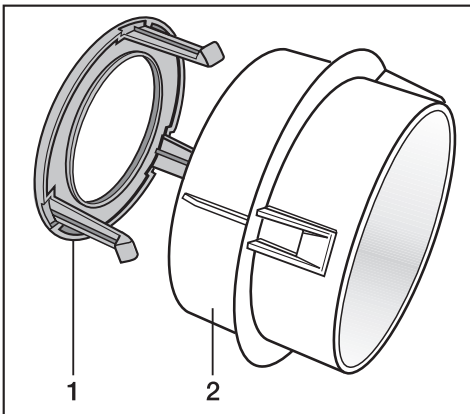
- Remove the left or right hand side cover cap. Do not remove the frame. Refit it in the rear outlet.
- Ensure it is securely in position so that it cannot fall out when the dryer is in operation.
- Fit one of the venting systems described on the following pages.

Installation - venting

Venting systems overview

The various venting systems which are possible (A B C) are described on the following pages.

Adapter



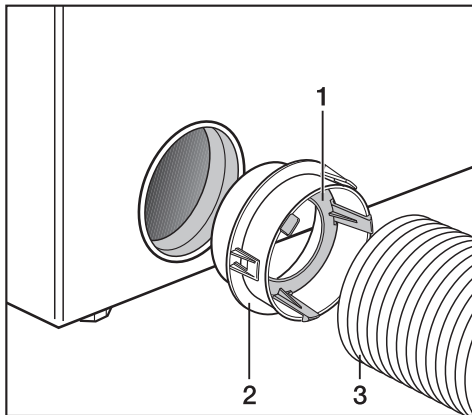
A **ring adapter**** (1) is installed in adapter (2) for the installation of a flexible vent duct. It reduces time and energy requirements during drying when used in combination with a short **vent duct (maximum 10 m total length)**. The ring adapter is removable and designed for use with all venting systems.

** Note for test institutes: EN 61121 Standard testing is carried out with the ring adapter.

A Venting system with flexible ducting

This is a simple, cost effective method of directing the moist air outside. The adapter is fitted into the vent opening on the dryer and the ducting hose is then connected to the adapter.

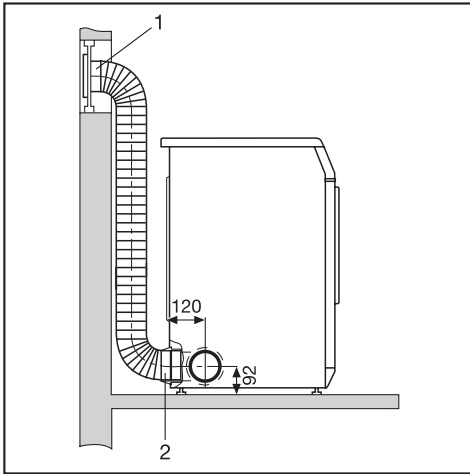
- The following items are required:
 - ... flexible ducting hose
 - ... a wall vent kit* or window vent kit*.
- * (Miele optional accessory).



- Ring adapter (1) must be taken out of adapter (2), if the total duct length is longer than 10 m.
If the total duct length is less than 10 m the ring adapter should be left in the adapter.
- Fit adapter (2) into the vent opening on the dryer, and connect vent hose (3).
- See next page for examples.

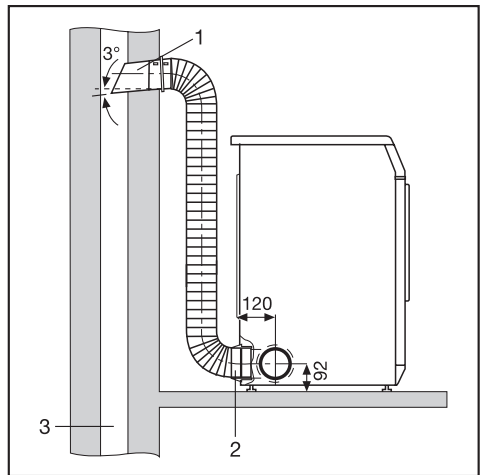
Installation examples - venting system with flexible ducting

Window vent




1. Window vent kit (fitted in a "plexiglass" pane)
(separate fitting instructions are supplied with the Miele window vent kit)
2. Adapter for flexible hose

Connection to an exhaust flue



1. Pipe with connection piece
(= supplied with the Miele wall vent kit)
2. Adapter for flexible hose
3. Exhaust flue insulated against damp

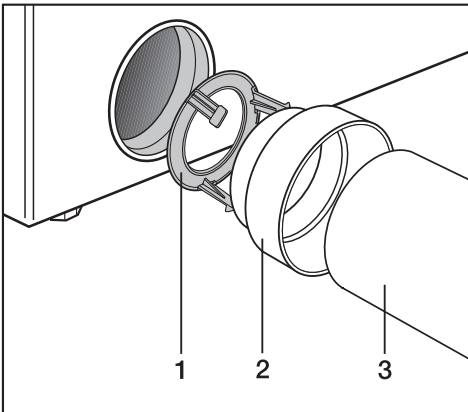
 The ducting must not be vented into a chimney or vent flue which is in use, nor should it be connected to ducting which ventilates rooms with fireplaces.

Installation - venting

Ⓑ Venting system with plastic piping

Plastic piping is a good option where the vented air has to be ducted for some distance. The smooth walls of the pipe are less resistant to the vented air than the walls of a flexible vent hose, for example. Time and energy consumption are better with plastic piping.

- The following items are required: . . .
 - . . . an adapter* (dia. 100 mm)* with rib on the inside.
 - . . . a wall vent kit* or window vent kit*.
- * (Miele optional accessory)
- . . . Suitable plastic piping is available from your dealer or builder's merchant. If a pipe diameter greater than 100 mm is required, additional adapters are necessary (e.g. to increase from Ø 100 to 125 mm) to connect the pipe to the dryer.

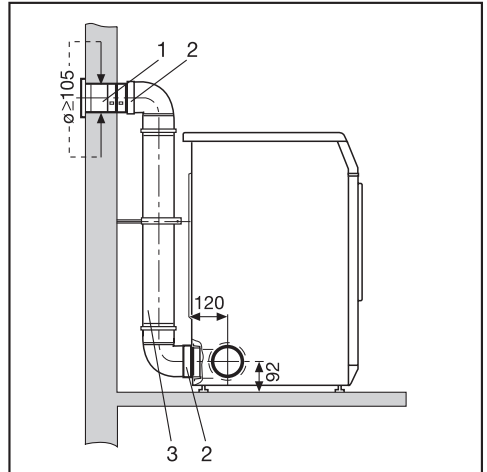


- 1 The ring adapter (1) only needs to be fitted into the Miele adapter (2), if the total duct length is less than 10 m.

If the total duct length is greater than 10 m the ring adapter is not required.

- 2 Fit Miele adapter (2) into the vent opening on the dryer.
- 3 Attach the pipe (3).

Example



1. Wall vent kit
(Separate fitting instructions are supplied with the Miele wall vent kit).
2. Adapter
3. Plastic piping, diameter DN 100

© Connecting directly to a wall vent

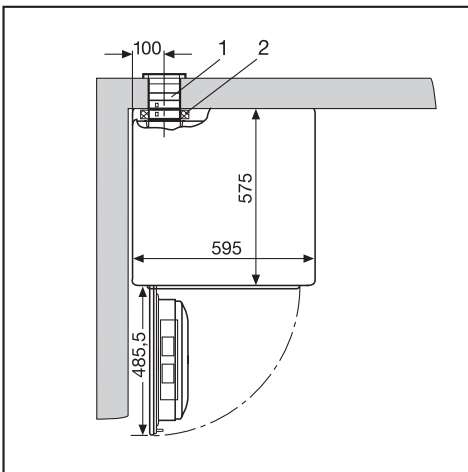
The best method of venting the dryer is to connect it directly to the outside wall of a room. However, it is necessary to insert the wall vent right through the wall.

Because the vented air is blown directly outside, and has only a short distance to go, this system is very efficient in terms of time and energy consumption.

- A wall pipe and a flexible foam gasket must be used (both Miele optional accessories).

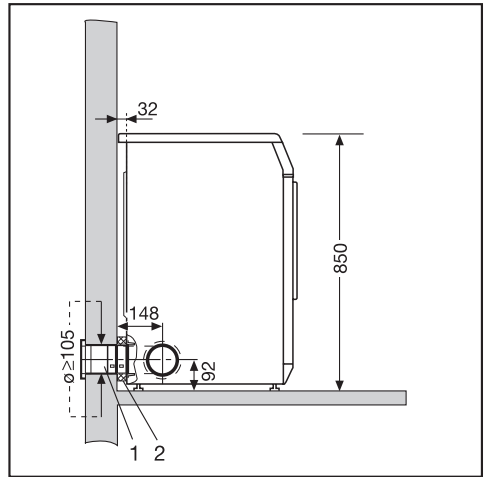
- 1 Before drilling into the wall please read the installation instructions supplied with the Miele wall pipe. . . . and study the following diagrams.

View from above:

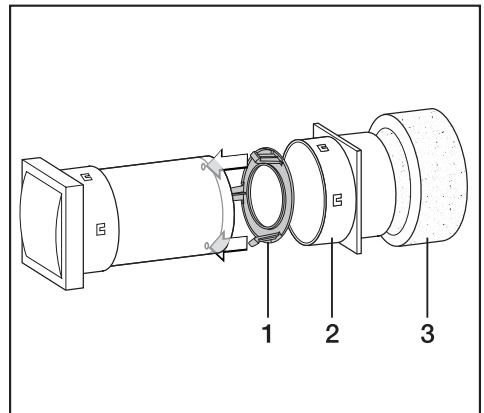


1. Wall pipe
2. Flexible foam gasket

Side view:



1. Wall pipe
2. Flexible foam gasket



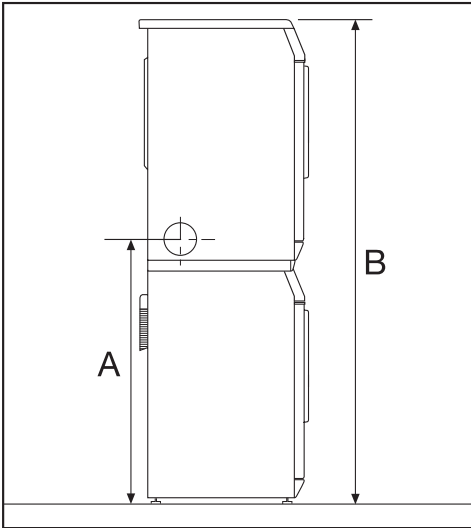
- 2 Insert the ring adapter (1) into the wall pipe.
- 3 Fit the foam gasket (3) on to the connecting piece (2) on the wall pipe and push the dryer up against the wall.

Installation - venting

Washer dryer stack

Height of venting outlet for washer dryer stack

Miele washing machine with straight or sloping fascia



Stacking kit* without worktop:

A = 94.2 cm

B = 170.0 cm

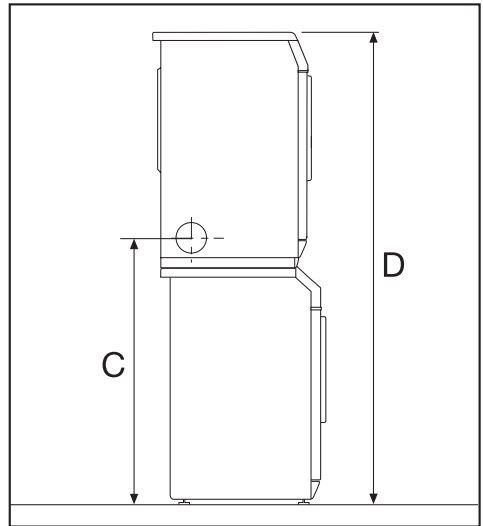
Stacking kit* with worktop:

A = 92.8 cm

B = 168.6 cm

* Miele optional accessories

Miele washing machine with Comfort line angled fascia



Stacking kit* without worktop:

C = 94.2 cm

D = 170.0 cm

Stacking kit* with worktop:

C = 96.0 cm

D = 171.8 cm

* Miele optional accessories

Consumption data

Programmes	Capacity	Final spin speed (in a domestic washing machine)	Electricity consumption	Drying time (incl. cooling down time)
	kg	rpm	kWh	Minutes
COTTONS				
Normal+	5.0	1200	2.70	70
		1400	2.60	67
		1600	2.30	60
		1800	2.25	59
Normal ⁽¹⁾	5.0	800 (70 % residual moisture)	3.30	84
Normal	5.0	1200	2.60	67
		1400	2.45	64
		1600	2.20	57
		1800	2.15	56
Hand iron ⁽¹⁾	5.0	800 (70 % residual moisture)	2.60	69
Hand iron	5.0	1200	1.90	52
		1400	1.80	49
		1600	1.50	42
		1800	1.45	41
Machine iron	5.0	1200	1.50	42
		1400	1.40	39
		1600	1.15	33
		1800	1.10	31
MINIMUM IRON				
Normal ⁽¹⁾	2.5	1000 (50 % residual moisture)	1.15	33
Hand iron	2.5	1000	1.00	30
Special programmes				
Woollens hand care	2.0	-	0.20	3
Smoothing	2.5	-	0.30	8

⁽¹⁾ EN 61121 test programme

EN 61121 Standard testing is carried out with the ring adapter.

Before testing in accordance with EN 61121, dry a 3 kg load of cotton laundry with 70% residual moisture as per the above standard using the Normal Cottons programme without selecting any additional functions.

Consumption data can vary from the nominal values given above depending on the size of the load, types of textiles, residual moisture levels after spinning, fluctuations in the electricity supply and any additional options selected.

Technical data

Height	85 cm (adjustable +0.7/-0.7 cm)
Height without lid	82 cm
Depth with door open	106 cm
Width	59.5 cm
Depth	58 cm
Weight	48 kg
Drum volume	100 litres
Maximum capacity	5 kg dry weight
Length of connection cable	1.60 m
Voltage	see data plate
Rated load	see data plate
Fuse rating	see data plate
Lamp wattage	see data plate
Energy consumption	see "Consumption data"
Test certificates awarded	Radio/TV suppressed, VDE

Programmable functions for changing standard settings

Programmable functions

Increased drying level in the COTTONS programmes

The machine is designed to dry using as little energy as possible. However, if you require the laundry to be drier, it is possible to reduce the final moisture level in the COTTONS programmes. Note that programme durations will be longer if this option is activated.

The machine is supplied ex-works with this option switched off. It can be activated if wished.

Follow steps ❶ to ❷ to programme and store in memory.

The programmable functions are activated with the help of the *Start* button and the programme selector.

Before you begin, first ensure that:

- The tumble dryer is switched off.
- The door is closed.
- The programme selector is at *Finish*.

- ❶ Press the *Start* button and keep it pressed in whilst carrying out steps ❷ to ❸.
- ❷ Switch the dryer on with the *I-On / O-Off* button.
- ❸ Wait until the *Start* indicator lamp comes on . . .
- ❹ . . . and then release the *Start* button.

- ❺ Turn the programme selector to the COTTONS *Normal* position.
 - If the *Drying* indicator lamp is not on, the increased drying level **is deactivated**.
 - If the *Drying* indicator lamp is flashing, the increased drying level **is activated**.
- ❻ Pressing the *Start* button switches between activating and deactivating increased drying.
- ❼ Switch the machine off with the *I-On / O-Off* button.

The setting you have selected is now stored in memory. You can change it again at any time.

To check:

- Carry out steps ❶ to ❺.
 - If the indicator lamp for *Drying* **flashes** = Increased drying level **is switched on**
 - is not on** = Increased drying level **is switched off**
 - Switch off the dryer.
- The check is complete.

Increased drying level in the MINIMUM IRON programmes

The machine is designed to dry using as little energy as possible. However, if you require the laundry to be drier, it is possible to reduce the final moisture level in the MINIMUM IRON programmes. Note that programme durations will be longer if this option is activated.

The machine is supplied ex-works with this option switched off. It can be activated if wished.

Follow steps ① to ⑦ to programme and store in memory.

The programmable functions are activated with the help of the *Start* button and the programme selector.

Before you begin, first ensure that:

- The tumble dryer is switched off.
- The door is closed.
- The programme selector is at *Finish*.

- ① Press the *Start* button and keep it pressed in whilst carrying out steps ② to ③.
- ② Switch the dryer on with the *I-On / O-Off* button.
- ③ Wait until the *Start* indicator lamp comes on . . .
- ④ . . . and then release the *Start* button.

- ⑤ Turn the programme selector to the *COTTONS Low Temperature* position.
 - If the *Drying* indicator lamp is not on, the increased drying level **is deactivated**.
 - If the *Drying* indicator lamp is flashing, the increased drying level **is activated**.
- ⑥ Pressing the *Start* button switches between activating and deactivating increased drying.
- ⑦ Switch the machine off with the *I-On / O-Off* button.

The setting you have selected is now stored in memory. You can change it again at any time.

To check:

- Carry out steps ① to ⑤.

If the indicator lamp for *Drying*
flashes = Increased drying level
is switched on
is not on = Increased drying level
is switched off

- Switch off the dryer.

The check is complete.

Programmable functions

Buzzer

An audible tone sounds repeatedly at the end of a programme.

The buzzer is activated as standard ex-works. It can be deactivated if wished.

The buzzer will sound if there is a fault, even if it has been deactivated.

Follow steps ❶ to ❷ to programme and store in memory.

The programmable functions are activated with the help of the *Start* button and the programme selector.

Before you begin, first ensure that:

- The tumble dryer is switched off.
- The door is closed.
- The programme selector is at *Finish*.

- ❶ Press the *Start* button and keep it pressed in whilst carrying out steps ❷ to ❸.
- ❷ Switch the dryer on with the *I-On / O-Off* button.
- ❸ Wait until the *Start* indicator lamp comes on . . .
- ❹ . . . and then release the *Start* button.

- ❺ Turn the programme selector to the COTTONS *Hand iron* position.

– If the *Drying* lamp is flashing, the buzzer **is activated**.

– If the *Drying* lamp is not on, the buzzer **is deactivated**.

- ❻ Pressing the Start button switches between activating and deactivating the buzzer.

- ❼ Switch the machine off with the *I-On / O-Off* button.

The setting you have selected is now stored in memory. You can change it again at any time.

To check:

- Carry out steps ❶ to ❺.

If the indicator lamp for *Drying*
flashes = The Buzzer
is activated

is not on = The Buzzer
is deactivated

- Switch off the dryer.

The check is complete.

**United Kingdom:**

Miele Co. Ltd.
Fairacres, Marcham Road
Abingdon, Oxon, OX14 1TW
tel. Abingdon (01235) 554455
Service Office: (01235) 554466
fax (01235) 554477
Internet: www.miele.co.uk

Ireland:

Miele Ireland Ltd.
Broomhill Road, Tallaght, Dublin 24
Tel: (01) 46 10 710, Fax: (01) 46 10 797
Email: info@miele.ie
Internet: <http://www.miele.ie>

Australia:

Miele Australia Pty. Ltd.
A.C.N. 005635398
1 Gilbert Park Drive
Knoxfield, VIC 3180
Telephone: (03) 9764 7100
Fax: (03) 9764 7129
Internet: www.miele.com.au

Distributor New Zealand:

Steelfort Engineering Company. Ltd.
500 Rangitikei Street
Palmerston North, Priv. Bag 11045, NZ
Telephone: (06) 350 1350
Fax: (06) 356 1507

South Africa:

Miele (Pty) Ltd
63 Peter Place
Bryanston 2194
P.O. Box 69434
Bryanston 2021
Tel.: (011) 548 1900
Telefax (011) 548 1935
Internet: www.miele.co.za
E-mail: info@miele.co.za

Singapore:

Miele Southeast Asia
Miele Pte. Ltd.
163 Penang Road
04 - 02/03 Winsland House II
Singapore 238463
Tel : +65-67351191
Fax: +65-67351161
Email: mielesea@miele.com.sg

Hong Kong:

Miele (Hong Kong) Limited
AIA Plaza, Room 401, 4th Floor
18 Hysan Avenue
Causeway Bay
Hong Kong
Tel.: (852) 2610 1331
Fax: (852) 2610 1013
E-mail: mielehk@netvigator.com

Free Manuals Download Website

<http://myh66.com>

<http://usermanuals.us>

<http://www.somanuals.com>

<http://www.4manuals.cc>

<http://www.manual-lib.com>

<http://www.404manual.com>

<http://www.luxmanual.com>

<http://aubethermostatmanual.com>

Golf course search by state

<http://golfingnear.com>

Email search by domain

<http://emailbydomain.com>

Auto manuals search

<http://auto.somanuals.com>

TV manuals search

<http://tv.somanuals.com>