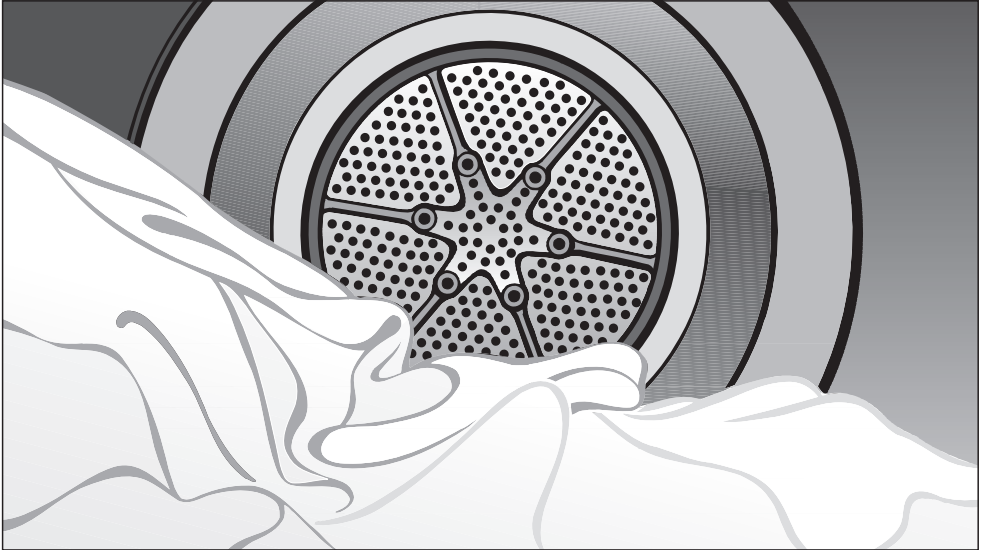


# Miele

HONEYCOMB CARE



## Operating instructions for vented tumble dryer T 4162

To avoid the risk of accidents  
or damage to the machine  
it is **essential** to read these  
instructions before it is installed  
and used for the first time.



M.-Nr. 06 619 190

# Caring for the environment

---

## Disposal of the packing material

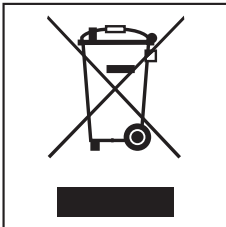
The transport and protective packing has been selected from materials which are environmentally friendly for disposal and can normally be recycled.

Ensure that any plastic wrappings, bags etc. are disposed of safely and kept out of the reach of babies and young children. Danger of suffocation!

Rather than just throwing these materials away, please ensure they are offered for recycling.

## Disposal of your old appliance

Electrical and electronic appliances often contain materials which, if handled or disposed of incorrectly, could be potentially hazardous to human health and to the environment. They are, however, essential for the correct functioning of your appliance. Please do not therefore dispose of it with your household waste.



Please dispose of it at your local community waste collection / recycling centre and ensure that it presents no danger to children while being stored for disposal.

It should be unplugged or disconnected from the mains electricity supply by a

competent person. The plug must be rendered useless and the cable cut off directly behind it to prevent misuse. See the "Warning and Safety" section of this booklet for further details.

## Energy saving tips

To avoid unnecessarily long drying times and high consumption of energy:

- Make sure that your laundry is thoroughly spun before drying.  
The higher the spin, the greater the savings that can be made in energy and time during drying.
- Load according to the optimum amount of laundry recommended for the programme being used (see "Programme chart").  
Underloading is uneconomical. Overloading gives a poorer quality of drying and may cause unnecessary creasing.
- Make sure the room in which the dryer is located is well ventilated.
- Make sure the fluff filter is clean before using the dryer.
- Check all parts of the ventilation system on a regular basis and remove any build up of fluff etc.
- The vent ducting should be as short, straight and smooth as possible to minimise any resistance to the air throughflow.  
This helps to reduce running times and energy consumption levels.

<b>Caring for the environment</b> . . . . .	2
Disposal of the packing material . . . . .	2
Disposal of your old appliance . . . . .	2
Energy saving tips . . . . .	2
<b>Warning and Safety instructions</b> . . . . .	5
<b>Control panel</b> . . . . .	9
<b>Notes on laundry care</b> . . . . .	10
Care symbols . . . . .	10
Tips on drying . . . . .	10
<b>How to dry correctly</b> . . . . .	11
Brief instructions . . . . .	11
Low temperature . . . . .	12
Changing the programme sequence . . . . .	13
<b>Programme chart</b> . . . . .	14
<b>Cleaning and care</b> . . . . .	16
Cleaning the fluff filter . . . . .	16
Tumble dryer . . . . .	17
<b>Problem solving guide</b> . . . . .	18
General problems . . . . .	18
Check and fault indicator lamps . . . . .	21
Changing the lamp . . . . .	22
<b>After sales service</b> . . . . .	23
Repairs . . . . .	23
Appliance guarantee . . . . .	23
Optional accessories . . . . .	23

# Contents

---

<b>Installation and connection</b> . . . . .	24
Front view . . . . .	24
Installation site . . . . .	25
Transporting the machine to its installation site . . . . .	25
Building under a continuous worktop / in a kitchen run . . . . .	25
Levelling the machine . . . . .	26
Washer-dryer stack . . . . .	26
<b>Electrical connection</b> . . . . .	27
Electrical connection U.K. . . . .	27
<b>Installation - venting</b> . . . . .	28
General . . . . .	28
Calculating the effective duct length: . . . . .	29
Installation to the left or right side of the machine . . . . .	30
Adapter . . . . .	31
Ⓐ Venting system with flexible ducting . . . . .	31
Ⓑ Venting system with plastic piping . . . . .	33
Ⓒ Connecting directly to a wall vent . . . . .	34
Washer dryer stack . . . . .	35
<b>Consumption data</b> . . . . .	36
<b>Technical data</b> . . . . .	37
<b>Programmable functions</b> . . . . .	40
Altering the residual moisture level in the Cottons programmes . . . . .	40
Altering the residual moisture level in the Minimum iron programmes . . . . .	41
Activating and deactivating the buzzer . . . . .	42
Extending the cooling down time . . . . .	43
Changing the standard drying level in the Minimum iron - Normal programme . . . . .	44
Changing the standard drying level in the Automatic programme . . . . .	45

# Warning and Safety instructions

To avoid the risk of accidents and damage to the machine please read these instructions carefully before using it for the first time. They contain important information on its safety, installation, use and maintenance.

Keep these instructions in a safe place and ensure that new users are familiar with the content. Pass them on to any future owner of the machine.

## Correct use

■ The tumble dryer is only intended for drying fabrics which have been washed in a water solution, marked on the manufacturer's care label as being suitable for tumble drying.

"Dry cleaning kits" for freshening up garments in a tumble dryer are increasingly available on the market. If using, do so at your own risk, and follow the instructions provided on the packaging.

Any other applications may be dangerous. The manufacturer is not liable for damage resulting from improper use or operation.

## Technical safety

■ Before setting up the machine, check it for any externally visible damage.

Do not install or use a damaged machine.

■ Before connecting the machine, ensure that the connection data on the data plate match the mains electricity supply. If in any doubt, consult a qualified electrician.

■ The electrical safety of this machine can only be guaranteed when continuity is complete between it and an effective earthing system which complies with local and national safety regulations. It is most important that this basic safety requirement is present and regularly tested, and where there is any doubt the household wiring system should be inspected by a qualified electrician. The manufacturer cannot be held liable for the consequences of an inadequate earthing system (e.g. electric shock).

■ Do not connect the machine to the mains electricity supply by an extension lead. Extension leads do not guarantee the required safety of the appliance (e.g. danger of overheating).

# Warning and Safety instructions

---

■ The machine is built in accordance with current safety requirements.

Unauthorised repairs could result in unforeseen dangers for the user, for which the manufacturer cannot accept liability. Repairs should only be undertaken by a Miele approved technician.

Ensure current is not supplied to the machine until after maintenance or repair work has been carried out.

■ Faulty components must only be replaced by genuine Miele original spare parts. Only when these parts are fitted can the safety standards of the machine be guaranteed.

■ If the connection cable is faulty it must only be replaced by a Miele approved service technician to protect the user from danger.

■ In countries where there are areas which may be subject to infestation by cockroaches or other vermin, pay particular attention to keeping the machine and its surroundings in a clean condition at all times. Any damage which may be caused by cockroaches or other vermin will not be covered by the machine guarantee.

# Warning and Safety instructions

---

■ In the event of a fault or for cleaning purposes, the machine is only completely isolated from the electricity supply when:

- it is switched off at the wall socket and the plug is withdrawn, or
- it is switched off at the mains, or
- the mains fuse is withdrawn, or
- the screw-out fuse is removed (in countries where this is applicable).

## Use

■ This equipment may only be used in mobile installations such as ships, caravans, aircraft etc. if a risk assessment of the installation has been carried out by a suitably qualified engineer.

■ This dryer must not be:

- connected to a chimney or vent flue which is in use.
- used without exhaust ducting.
- used without the fluff filter in place or if the fluff filter is damaged in any way.

■ Check all parts of the extraction system on a regular basis (e.g. wall vent, external grille, bends in the ducting etc.) and make sure they are all free of any hindrance. A build-up of fluff will prevent a free-flow of air through the system. If the dryer is to be connected to an existing ducting system this must be checked for suitability beforehand.

■ Adequate ventilation is essential **to avoid the danger of asphyxia and toxic fumes** where another appliance which also uses the room air (e.g. gas, oil or coal fired heater, continuous flow or other water heater) is installed in the same or an adjacent room.

To ensure safe operation, and to prevent gases given off by these appliances being drawn back into the room, an underpressure of 0.04 mbar is the maximum permissible.

- Ventilation can be maintained by air inlets which cannot be blocked, in windows, doors and outside wall vents, or by fitting a window contact switch which ensures that the tumble dryer can only be operated when the window is opened wide enough.

If in doubt, the advice of a competent builder, or for gas, a "Corgi" registered installer (in the UK) must be sought.

■ The exhaust air must not be vented into a chimney or vent flue which is in use, nor should it be connected to ducting which ventilates rooms with fireplaces. It would be dangerous if smoke or exhaust fumes were drawn back into the room.


■ Do not install the machine in a room where there is a risk of frost occurring. At temperatures around freezing point the machine may not be able to operate properly. The ambient room temperature should be between +2°C and +35°C.


# Warning and Safety instructions

---

## To prevent the risk of fire the following textiles must not be dried in this machine:


- fabrics which contain a large proportion of rubber, foam rubber or rubber like materials.
- items which contain damaged padding or fillings (e.g. pillows, jackets).
- items which have been treated with inflammable cleaning agents.
- items which have been splashed with hair lacquer, hair spray, nail varnish remover or similar substances.
- items which have been soiled with oils or residues containing grease (kitchen oils, cosmetics etc.).
- items soiled with wax or other chemicals (e.g. mops and floor cloths).
- items which have not been thoroughly cleaned and which are still soiled with grease or oil, e.g. workwear. Such clothing may require a heavy duty detergent to get them clean. If necessary consult the detergent manufacturer for advice.

 Do not let anyone sit or lean on the door, as this can cause the machine to tip up.


 Always close the door after use. This way you will avoid the danger of:

- **children** climbing onto or into the dryer or hiding things in it.
- **pets** or other small animals climbing into it.

## Safety with children


 This machine is not a toy. To avoid the risk of injury keep children away from the machine at all times and supervise them whilst you are using it. Do not allow children to play on or near it or to play with its controls. Supervise its use by the elderly or infirm.


## Using accessories

 Accessory parts may only be fitted when expressly approved by Miele.

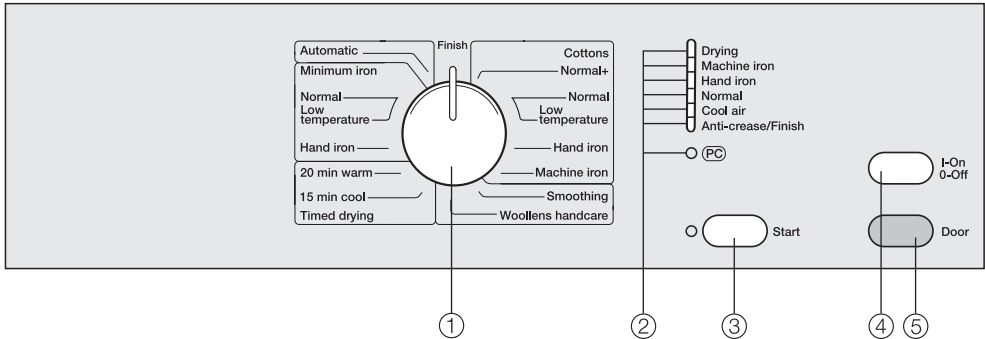
If non-Miele parts are used with this machine, guarantee, performance and product liability claims may be invalidated.

## Disposal of your old machine

 Before discarding an old machine, switch it off at the wall socket and unplug it. Render the plug useless and cut off the cable directly behind the machine. This should be done by a competent person.

 The manufacturer cannot be held liable for damage caused by non-compliance with these Warning and Safety instructions.





## ① Programme selector

The programme selector can be turned clockwise or anti-clockwise.

## ② Programme sequence and check lamps

### ③ Start button

Press the *Start* button to start a programme.  
The *Start* indicator lamp will flash as soon as a programme can be started. It lights up constantly once the programme has started.

### ④ I-On/0-Off button

To switch the machine on or off / to interrupt a programme.

The Anti-crease/Finish lamp will light up as confirmation that the machine has been switched on.

### ⑤ Door Button

To open the door / to cancel a programme.

Pressing this button will open the door even when the machine is switched off at the mains.

If the machine is switched on at the mains and the door is opened the drum lighting will come on. It will go out a few minutes later to save energy.

### PC indicator light

The indicator light marked PC is used by Miele Service technicians as an optical interface.

# Notes on laundry care

---

## Care symbols

Before drying check the drying symbol on the care label. If there are no symbols, dry at your own risk!

- ☉ . . . . . Dry at normal temperature
- ☺ . . . . . Dry at a low temperature
- ☒ . . . . . Do not tumble dry

– For delicates and fabrics with the following care label ☺ select *Low temperature*.

## Tips on drying

– Always observe the maximum recommended loads given in the "Programme chart". Never overload the drum.

Overloading can cause unnecessary wear and tear to the laundry, give a disappointing drying result and cause more creasing.

- Do not put soaking wet items into the tumble dryer. Spin them thoroughly after washing using the appropriate spin speed.
- Use the *Automatic* programme for drying mixed loads of cottons and minimum iron fabrics.
- Open jackets so that they can dry evenly.
- Woollens and wool blends tend to become matted and shrink if dried in a tumble dryer. They can, however, be partially dried using the *Woollens hand care* programme.

- Down-filled garments have linings which have a tendency to shrink, depending on the quality of the item. They can be partially dried using the *Smoothing* programme.
- Pure linen should only be machine dried if specified as suitable by the manufacturer on the care label, as the surface of the fabric may otherwise become rough. They can be partially dried using the *Smoothing* programme.
- Loopknit garments (e.g. T-shirts and underwear) tend to shrink depending on their quality. Do not over-dry these textiles. When purchasing these garments it is advisable to take their shrinkage properties into account.
- Minimum iron fabrics and 100% cotton shirts or blouses tend to crease more, the greater the load. This is especially true of very fine weaves. Reduce the load or use the *Minimum iron - Hand iron* programme.
- Starched laundry can be dried in the tumble dryer. To achieve the usual finish, double the amount of starch should be used.
- New dark coloured garments should be washed and dried separately from light coloured garments to avoid the danger of colours running and discolouring other garments or even plastic components in the machine. Dark coloured fibres can also settle on light coloured garments and vice versa.


## Brief instructions

The headings numbered (1, 2, 3 ...) show the operating sequence and can be used as a brief guide to using your machine.

### 1 Sort the laundry

To ensure an even drying result separate out the washed laundry and sort it according to: . .

- . . . the drying level required
- . . . the type of fibre or weave
- . . size
- . . the moisture content after spinning.

 Make sure that objects e.g. detergent dispensing balls have been removed from the laundry. They could melt, and cause damage to the dryer or the laundry.

- Check seams and stitching to ensure that padding and linings are intact.
- Fasten duvet covers and pillow cases to prevent small items from being trapped inside them.
- Fasten hooks and eyes etc.
- Tie fabric belts and apron strings.
- Sew in or remove underwiring from bras.

### 2 Turn on the tumble dryer

- Switch the dryer on by pressing the *I-On/0-Off* button in.

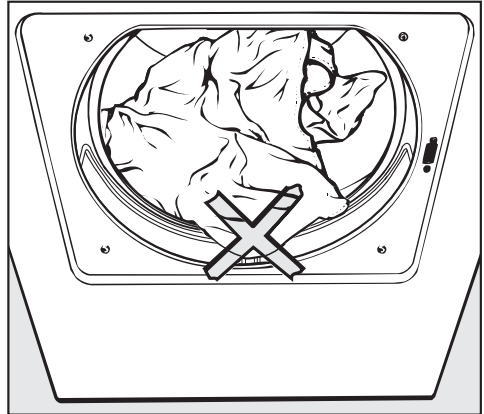
The tumble dryer may be switched on after loading, saving energy as the light will not come on.

### 3 Load the tumble dryer

- Press the *Door* button to open the door.
- Load the laundry loosely into the drum.

Do not overload the drum. See the "Programme chart" for recommended loads for each programme. Overloading can cause unnecessary wear and tear to the laundry and give a disappointing drying result.

- Before closing the door make sure the fluff filter is correctly positioned.

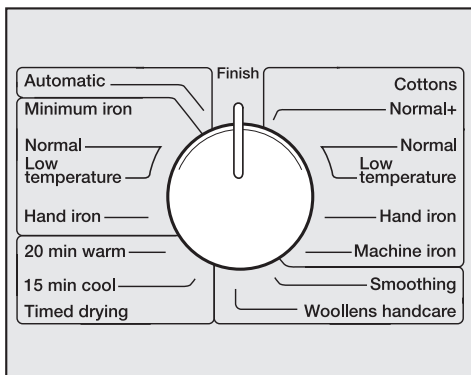


Check the laundry is right inside the drum so that it cannot get trapped or damaged when the door is shut.

- Shut the door either with a gentle swing, or lean against it and push it shut.


# How to dry correctly

## 4 Select a programme



- Turn the programme selector to the required programme.

### Low temperature

- For drying particularly sensitive fabrics (care symbol ) e.g. acrylics turn the programme selector to the *Low temperature* position.

Because the heater rating is reduced for the *Low temperature* setting clothes dry more slowly thus lengthening drying times.

## 5 Start the programme

- Press the *Start* button.

The indicator lamp for the *Start* button will then change from flashing to being on constantly.

The drying cycle begins.

Depending on the programme selected, the drying stage reached is shown by the sequence indicator lamps on the right hand side of the control panel.

### Before the end of a programme

The cooling down phase takes place before the end of a programme so that the garments are not too hot to handle (the *Cool air* indicator lamp will come on). The programme is not finished until the cooling down phase is complete. The *Woollens handcare* and *Smoothing* programmes do not include a cooling down phase.

### At the end of a programme

The *Anti-crease/Finish* indicator lamp comes on.

The drum will continue to rotate at intervals to prevent laundry creasing, if you do not wish to remove it immediately. The anti-crease phase lasts for an hour. There is no anti-crease phase on the *Woollens handcare* programme.

During the anti-crease phase . . .  
. . . (depending on the programme selected) the indicator lamp for the drying stage reached will also light up.  
. . . the buzzer will sound at intervals.

## 6 Remove the laundry

- Press the *Door* button.
- Open the door.
- Remove the laundry.

Make sure that the drum is empty. If items are left in the dryer, they could be damaged by overdrying when the dryer is next used.

- Switch the dryer off by pressing the *I-On/0-Off* button.
- Clean the fluff filter in the door.
- Close the door.

## Changing the programme sequence

### Changing a programme while it is running

As long as the cooling down phase or the anti-crease phase has not been reached, it is possible to change a programme after it has started by turning the programme selector to a different programme position.

### To interrupt a programme

- Switch the machine off with the *I-On/0-Off* button.

To continue drying:

- Switch the dryer on with the *I-On/0-Off* button.

The programme will continue (only with the *Cottons*, *Minimum iron* and *Automatic* programmes).

Other programmes:


- Press the *Start* button.

### To cancel a programme

- Turn the programme selector to *Finish* or open the door .



### Adding or removing laundry after a programme has started

- Press the *Door* button.
- Open the door.

 Do not touch the back of the drum when adding or removing items. The drum could be very hot - danger of burning.

- Add or remove items.
- Close the door.
- Press the *Start* button.

# Programme chart

<b>Cottons</b>		Max. load: 6 kg*
<b>Normal+, Normal**, Low temperature</b>		
Fabric type	Single and multi-layered cottons fabrics such as towelling, jerseywear, underwear, flannelette bed linen.	
Note	– Select <i>Low temperature</i> for fabrics with the  symbol. Laundry is dried at a lower temperature.	
<b>Hand iron**, Machine iron</b>		
Fabric type	Cottons and linen fabrics, e.g. table linen, bedlinen, starched laundry.	
Note	To prevent laundry from drying out it should be rolled up until you are ready for ironing.	
<b>Minimum iron</b>		Max. load: 3 kg*
<b>Normal**, Low temperature, Hand iron</b>		
Fabric type	Minimum iron items made of cotton, synthetic or blended fabrics, e.g. shirts, blouses, skirts and table cloths.	
Notes	<ul style="list-style-type: none"> <li>– Select <i>Low temperature</i> for fabrics with the  symbol (e.g. acrylic garments). Laundry is dried at a lower temperature.</li> <li>– Select <i>Hand iron</i> for delicate fabrics and to reduce creasing even more, reduce the load to 1.5 kg*.</li> <li>– In the Minimum iron <i>Hand iron</i> programme, items are dried with very little creasing, depending on fabric type and amount of load.</li> </ul>	

\* Weight of dry laundry

\*\* Note for test institutes:

Programme setting for testing in accordance with EN 61121

## Programme chart

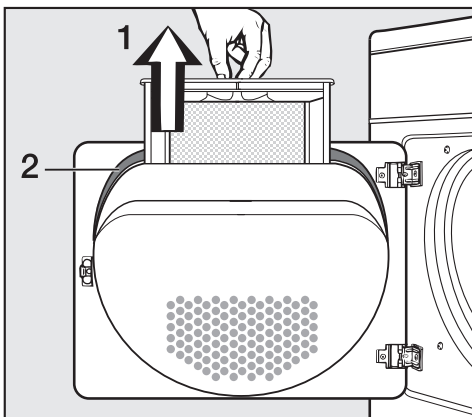
<b>Automatic</b>		Max. load: 3 kg*
Fabric type	Mixed load of cotton and minimum iron fabrics.	
<b>Timed drying</b>		Max. load: 6 kg*
<b>Warm air</b>		
Fabric type	<ul style="list-style-type: none"> <li>– Multi-layered fabrics whose layers have different drying characteristics, e.g. jackets, pillows.</li> <li>– For drying individual items, e.g. bath towels, bathing costumes, tea-towels.</li> </ul>	
<b>Cool air</b>		
Fabric type	Any item which only needs airing.	
<b>Woollens handcare</b>		Max. load: 2 kg*
Fabric type	Woollen fabrics	
Notes	<ul style="list-style-type: none"> <li>– To refresh and fluff up woollen garments quickly. Woollen fabrics are not dried completely by this programme.</li> <li>– Remove garments as soon as the programme has finished and leave to finish drying at room temperature.</li> </ul>	
<b>Smoothing</b>		Max. load: 3 kg*
Fabric type	<ul style="list-style-type: none"> <li>– Cottons and linen fabrics.</li> <li>– Minimum iron items made of mixed fibres, cottons or synthetics e.g. trousers, jackets, shirts.</li> </ul>	
Notes	<ul style="list-style-type: none"> <li>– Smooths out creasing caused during the spin cycle in the washing machine.</li> <li>– Fabrics are not completely dried in this programme. Remove garments as soon as the programme has finished and leave to finish drying at room temperature.</li> </ul>	

\* Weight of dry laundry

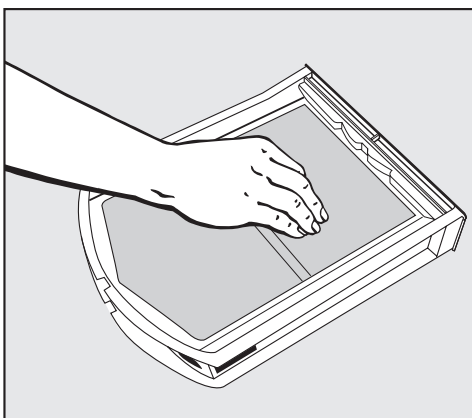
# Cleaning and care

## Cleaning the fluff filter

The fluff which is created by the drying process is collected in the fluff filter in the door. Clean the filter after **every** drying cycle.



- Open the door and pull the fluff filter (1) out of the door as illustrated.



- Use your fingers to remove the fluff from the surface of the filter.

- Remove any fluff from the hollow part of the door holder.

A cleaning brush is available as an optional extra from your Miele dealer or the Miele Spare Parts Department.

You can also use a vacuum cleaner.

- Also clean the door seal (2) with a damp cloth.

If there is a great deal of compacted fluff on the filter, it can be cleaned under running water.

- After cleaning shake thoroughly until no more water droplets are visible.
- Dry the filter carefully.
- Once clean, push the filter back into the door holder until it clicks into position. Ensure it is facing the correct way. Close the door.



## Tumble dryer

Disconnect the machine from the power supply.

- Clean the housing and control panel with a mild cleaning agent or soapy water.  
Clean the drum and other stainless steel parts with a suitable proprietary stainless steel cleaner following the manufacturer's instructions.

**Do not use** solvents, abrasive cleaners, glass cleaners or all-purpose cleaners. These could damage plastic surfaces and other parts. The machine must never be hosed down.


- Dry all parts with a soft cloth.

## E-Cloth

A microfibre "E-Cloth" is available from the Miele UK Spare Parts Department, which is suitable for cleaning surfaces such as stainless steel, glass, plastic and chrome without the use of chemicals.

# Problem solving guide

With the help of the following notes minor faults in the performance of the machine, some of which may result from incorrect operation, can be put right without contacting the Service Department.

 Repair work to electrical appliances should only be carried out by a suitably qualified person in strict accordance with local and national safety regulations. Repairs and other work by unqualified persons could be dangerous. The manufacturer cannot be held liable for unauthorised work.

## General problems

Problem	Possible cause	Remedy
<b>The tumble dryer fails to start when switched on.</b>	No obvious cause.	<ul style="list-style-type: none"><li>– Have you followed the switch-on procedure correctly (see “How to dry correctly”)?</li><li>– Is the plug correctly inserted in the socket and switched on?</li><li>– Is the door closed properly?</li><li>– Has the fuse or circuit breaker tripped?</li></ul>
<b>Items made of synthetic fibres are charged with static electricity after drying.</b>	Synthetic fibres tend to attract static charge.	Static charge can be reduced by adding a fabric conditioner to the final rinse in the washing machine or a fabric conditioner sheet to the load in the dryer.

## Problem solving guide

<b>Problem</b>	<b>Possible cause</b>	<b>Remedy</b>
<b>There is a build up of fluff.</b>	Fluff is principally the result of friction when garments are being worn and washed. Machine drying hardly causes any fluff to form and has been established by research institutes to have no appreciable effect on the lifetime of the garment.	Fluff is collected by the fluff filter and can be easily removed (see "Cleaning and Care").
<b>The laundry is not sufficiently dry.</b>	The load consisted of different fabrics.	<ul style="list-style-type: none"><li>– Finish drying using "Timed drying - Warm air".</li><li>– Select a more suitable drying programme next time (see "Programme chart").</li></ul>
<b>The interior drum lighting does not come on.</b>	The lighting switches off automatically (to save energy).	Switch the dryer off and then on again.
	The lamp needs changing.	Change the lamp as described at the end of this section.

# Problem solving guide

Problem	Possible cause	Remedy
<p><b>The drying process goes on too long or even switches off.</b></p>	<p><b>Important:</b> Before attempting to remedy one of the following causes, switch the dryer off and switch on again to start the programme again.</p>	
	<p>Ventilation to the dryer is insufficient (e.g. because it is installed in a room which is too small).</p>	<p>Open a door or window while the machine is in operation for increased air flow.</p>
	<p>The fluff filter may be blocked.</p>	<p>Remove any fluff.</p>
	<p>The vent ducting or the ventilation outlet is blocked.</p>	<ul style="list-style-type: none"> <li>– Check all parts of the extraction system on a regular basis (e.g. wall vent, external grille, bends in the ducting etc.) and make sure they are all free of any hindrance.</li> <li>– Remove any fluff.</li> </ul>
	<p>The laundry has not been spun sufficiently.</p>	<p>Make sure that your laundry is thoroughly spun at the appropriate spin speed.</p>
	<p>The tumble dryer has been overloaded.</p>	<p>Do not exceed the maximum load for the programme selected.</p>
	<p>Metallic components, e.g. zips have prevented the dryer from registering the correct moisture level in the laundry.</p>	<ul style="list-style-type: none"> <li>– Close zips and fasten any hooks next time.</li> </ul> <p>If the problem occurs again, dry garments with long zips using "Timed drying - Warm air".</p>

### Check and fault indicator lamps

Problem	Possible cause	Remedy
<p><b>The programme has stopped. The <i>Anti-crease/Finish</i> lamp has come on in the sequence display and the buzzer is sounding.</b></p>	<p>This is not a fault. The electronic unit has recognised that there is no laundry in the drum and cancelled the programme. Drying individual garments or items which are already dry can also cause the programme to be stopped.</p>	<p>Use the "Timed drying - Warm air" programme to dry individual items. Before changing a programme: Open and close the drum door.</p>
<p><b>The programme has been interrupted. The indicator lamp for <i>Hand iron or Machine iron</i> is flashing, and the buzzer sounds.</b></p>	<p>No obvious cause.</p>	<ul style="list-style-type: none"> <li>– Switch the dryer off and then on again.</li> <li>– Then start the programme again.</li> </ul> <p>If the programme stops again and the fault message reappears there is a fault. Contact the Miele Service Department.</p>

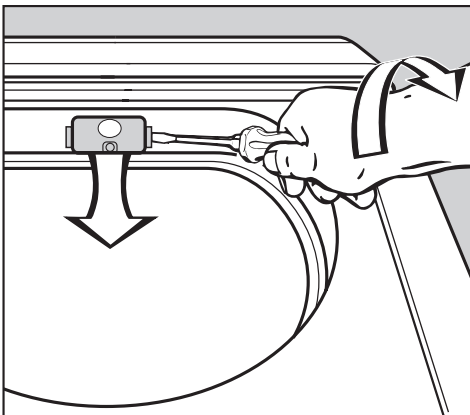
## Problem solving guide

### Changing the lamp

Disconnect the machine from the mains electricity supply.

- Open the door.

You will find the interior lamp cover at the top of the drum aperture.



- Insert a suitable tool, such as a wide bladed screwdriver, under the side edge of the lamp cover as illustrated.
- Apply a little pressure and whilst doing so turn your wrist in the direction of the arrow to open the cover.

The cover will open downwards.

The temperature resistant lamp should only be ordered from your Miele dealer or the Miele Spare Parts Department.

The lamp specification and maximum wattage is stated on the data plate and on the lamp cover.

- Replace the lamp.
- To close the cover push it upwards and press it on the left and right until you hear it click into position.

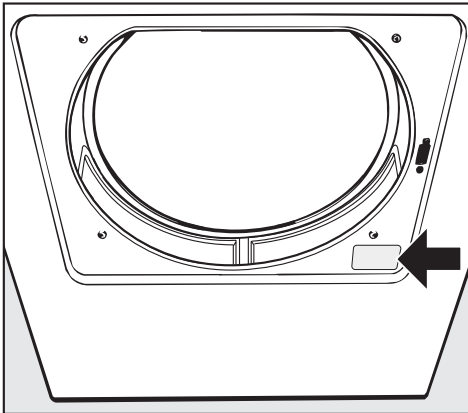
⚠ Ensure that it is fitted into position securely, as any moisture could cause a short circuit.

## Repairs

In the event of any faults which you cannot remedy yourself, or if the machine is under guarantee, please contact

- your Miele dealer, or
- the Miele Service Department (see back cover for contact details).

When contacting your Dealer or the Service Department, please quote the model and serial number of your machine, both of which are shown on the data plate situated on the right hand side below the drum aperture.



## Appliance guarantee

Please see the guarantee card supplied with your machine.

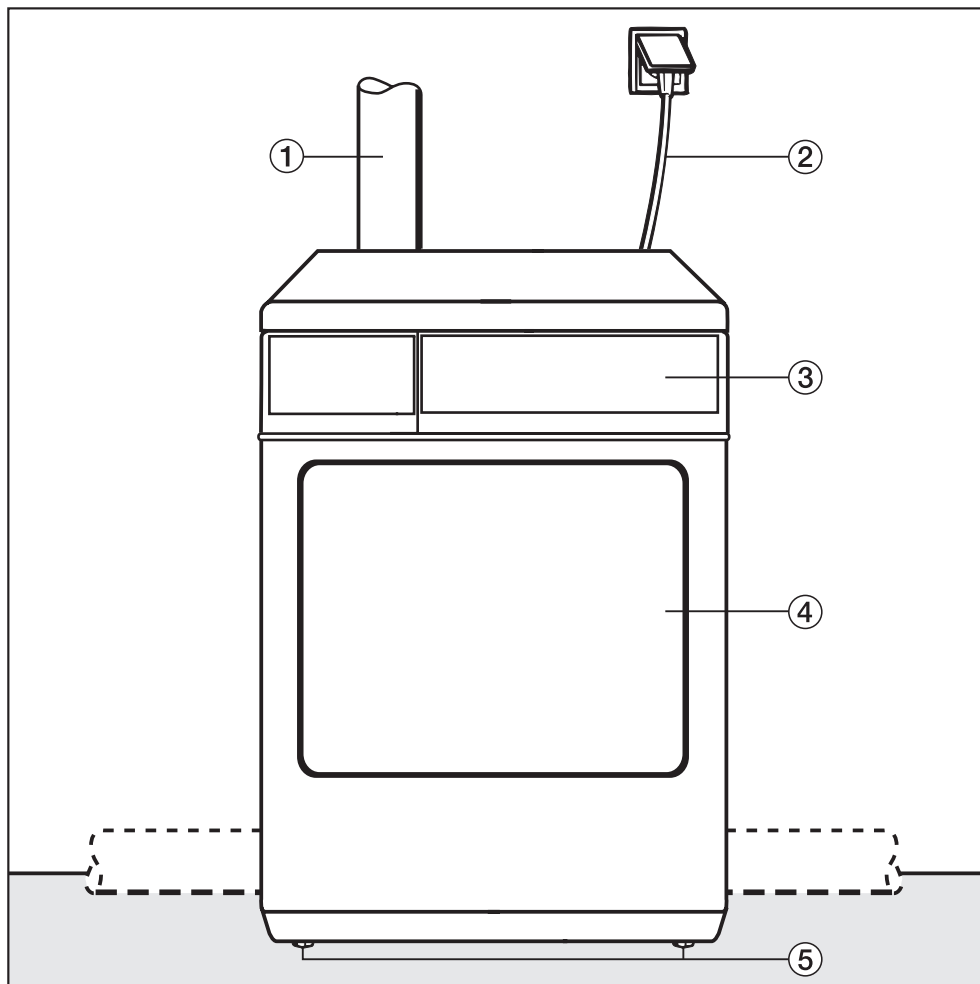
## Optional accessories

Optional accessories for this dryer is available from your Miele Dealer or from the Miele Spare Parts Department.

Please note that telephone calls may be monitored and recorded to improve our service.

# Installation and connection


## Front view



- ① Venting connection: rear, right or left  
(supplied with the rear socket open)
- ② Mains connection cable
- ③ Control panel
- ④ Door
- ⑤ Four height adjustable screw feet



## Installation site


 Make sure the dryer door can be opened without hindrance after installation.

## Transporting the machine to its installation site

When moving the machine you can hold it by the lid where it protrudes to the rear of the dryer. To manoeuvre the dryer out of its packing case to its installation site you will also need to hold it by the front feet.

## Building under a continuous worktop / in a kitchen run

The space required by the vent duct must be taken into consideration when calculating the distance between the machine and a wall or other appliances or furniture on either side.

 A **building under kit\*** is required which must be fitted by a suitably qualified person. The machine lid is replaced by a coverplate. It must be fitted by suitably qualified person to ensure electrical safety.

The building-under kit is supplied with its own installation instructions.

N.B. When built under drying times may be longer.

- The electrical socket must be located in an accessible position near the machine.

With niche heights of:

- 840 mm, longer screw feet\* are required.
- 870/885 mm - 915/930 mm, one or two height adjustment frames\* are required.

\* Available as an optional accessory from your Miele dealer or the Miele Spare Parts Department.

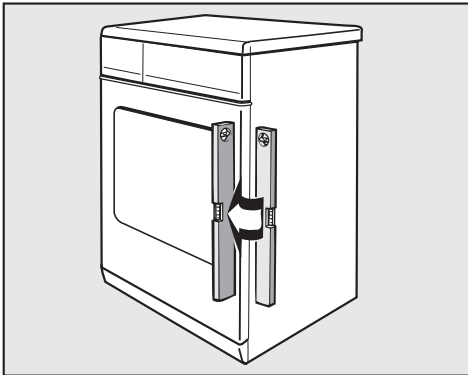
If you wish to push your machine under a worktop and there is space to do this **without removing the lid**, the building under kit is not necessary. Otherwise the building under kit is essential.

## Replacing the lid

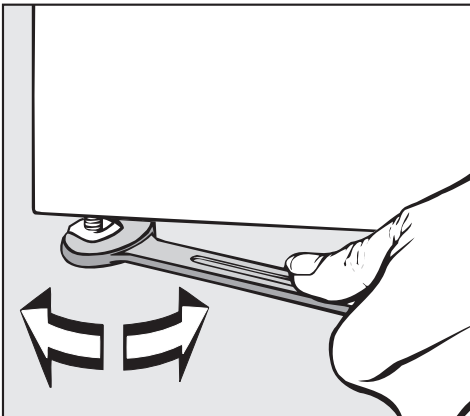
If the lid has been removed in order to fit a coverplate, ensure that, if the lid is ever replaced, it fits securely into the rear holders. Otherwise, it is not properly secure for transport.

# Installation and connection


## Levelling the machine



The machine must be perfectly level to ensure safe and proper operation.




- The screw feet can be adjusted to compensate for any unevenness in the floor.

 A ventilation gap of 10 mm must be maintained between the base of the machine and the floor. It must not be blocked by deep pile carpets, plinths, etc as this would prevent a sufficient intake of air.

## Washer-dryer stack

The tumble dryer can also be combined with a Miele washing machine in a washer-dryer stack. To do this the appropriate stacking kit\* (WTV) to match your washing machine is required.

\* Available as an optional accessory from your Miele dealer or the Miele Spare Parts Department.

 Stacking kits must only be installed by a suitably qualified fitter.

### Electrical connection U.K.

All electrical work should be carried out by a suitably qualified and competent person, in strict accordance with current national and local safety regulations (BS 7671 in the UK).

Ensure power is not supplied to the appliance until after installation work has been carried out.

The appliance is supplied with a mains cable with moulded plug ready for connection to a 230-240V mains supply. Please ensure the connection data quoted on the data plate match the household mains supply.

Connection should be made via a suitable switched socket which is easily accessible after installation.

For extra safety it is advisable to install a residual current device (RCD), with a trip current of 30 mA (in accordance with DIN VDE 0664, VDE 0100 Section 739).

Do not connect via an extension lead. Extension leads do not guarantee the required safety of the appliance (e.g. danger of overheating).

### Non-rewireable plugs BS 1363

The fuse cover must be refitted when changing the fuse, and if the fuse cover is lost, the plug must not be used until a suitable replacement is obtained. The colour of the correct replacement cover is that of the coloured insert in the base of the plug, or the colour that is embossed in words on the base of the plug (as applicable to the design of plug fitted).

Replacement fuses should be ASTA approved to BS 1362 and have the correct rating. Replacement fuses and fuse covers may be purchased from your local electrical supplier.

**WARNING: THIS APPLIANCE  
MUST BE EARTHED**

# Installation - venting

---

## General

### Important

Before operating the tumble dryer, a suitable ducting system must be installed to carry the moist air from the dryer to the outside. This can be:  
... flexible ducting hose, or plastic piping connected to the dryer, or  
... the dryer may be connected directly to the wall vent.

- Before installing the ducting system, ensure that the machine is not connected to the power supply.
- The ducting outlet (e.g. wall pipe) should be installed in such a way that the moist expelled air . . .  
. . . cannot be drawn back into the room in which the dryer is installed;  
. . . cannot cause any damage to the building or other nuisance.
- The dryer uses the room air. It is therefore essential to ensure adequate ventilation to avoid the danger of asphyxia caused by gases given off by other appliances being drawn back into the room. Insufficient ventilation will also cause drying times to be considerably longer. Ventilation can be maintained by:
  - an open window;
  - an air inlet which cannot be blocked in windows, doors and outside wall vents;
  - a window switch which prevents the dryer being used when the window is closed.

### Avoid:

- very long ducting systems
- too many bends or corners, tight corners

Otherwise the drying result will be less effective and it will take longer and use more energy.

### Suitable materials

- for the ventilation ducting:  
flexible ducting\* or plastic piping with a diameter of at least 100 mm.
- for venting to the outside:  
a wall pipe kit\* or a window vent kit\*.

\* Available as an optional accessory from your Miele dealer or the Miele Spare Parts Department.

### Procedure

- First measure the duct length required. Calculate the effective duct length and establish the internal duct diameter required (use the tables on the next page).
- Then decide which type of ducting you want to use (see "Venting systems" in this section).

## Calculating the effective duct length:

Friction against the inner walls of the ducting will slow down the expelled air as it passes through. An elbow, bend, non-return flap or wall vent creates more friction than a straight duct. The friction created by each of these is expressed as an **additional duct length factor**. The additional length factors are calculated by comparing the friction created by, for example, an elbow to that created by 1 metre of straight plastic piping (Table I).

The additional duct length factor for each item needs to be added together to ascertain the **effective duct length** required.

A larger **internal duct diameter** also helps reduce friction. If the effective duct length is **more than 20 m** the duct diameter should be increased (Table II).

### 1. To calculate the effective duct length required:

- First measure the distance which will require straight ducting. Multiply this amount by the corresponding additional duct length factor in **Table I**.
- Establish the number of angles, bends etc. necessary and add their additional duct length factors together with the help of **Table I**.
- Add all the additional duct length factors together to get the effective duct length.

### 2. Internal duct diameter

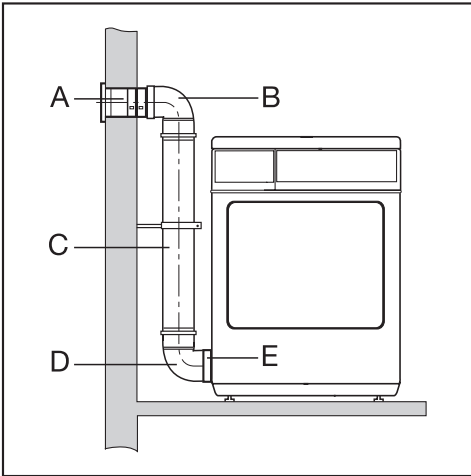
- Refer to **Table II** for the appropriate duct diameter required.

Table I	
	Additional duct length factor
<b>Flexible ducting*</b>	
– 1 m laid straight	1.8 m
– 45° angle (Bend radius = 0.25 m)	1.5 m
– 90° angle (Bend radius = 0.25 m)	2.5 m
<b>Flexible aluminium ducting* / plastic piping</b>	
– 1 m laid straight / or 1 m straight pipe	1.0 m
– 45° angle / elbow (Bend radius = 0.25 m)	0.6 m
– 90° angle / elbow (Bend radius = 0.25 m)	0.8 m
<b>Wall vent kit* or window vent kit*</b>	
– with louvred grille	3.8 m
– with non-return flap (hinged flap)	1.5 m
<b>Non-return flap* to be integrated into the vent ducting</b>	14.3 m
<b>Flat ducting (for washer dryer stack)*</b>	11.0 m
<b>Venting connection to the left/right</b>	1.0 m
* optional accessory from Miele	

Table II	
Maximum effective duct length allowable	Internal duct diameter required
10 m <u>with</u> Ring adapter	100 mm
20 m <u>without</u> Ring adapter	100 mm
40 m <u>without</u> Ring adapter	125 mm
100 m <u>without</u> Ring adapter	150 mm

# Installation - venting

## 3. Example



<b>A</b>	<b>Wall pipe, with louvred vent</b>	= 1 x 3.8 m Additional duct length	= 3.8 m
<b>B/D</b>	<b>2 Elbows, 90°</b>	= 2 x 0.8 m Additional duct length	= 1.6 m
<b>C</b>	<b>0.5 m plastic piping</b>	= 0.5 x 1 m Additional duct length	= 0.5 m
<b>E</b>	<b>Side connection, left</b>	= 1 m Additional duct length	= 1.0 m
	<b>Effective duct length</b>		= 6.9 m

Result: A duct diameter of 100 mm is adequate as the effective duct length is less than the 20 m specified in Table II.

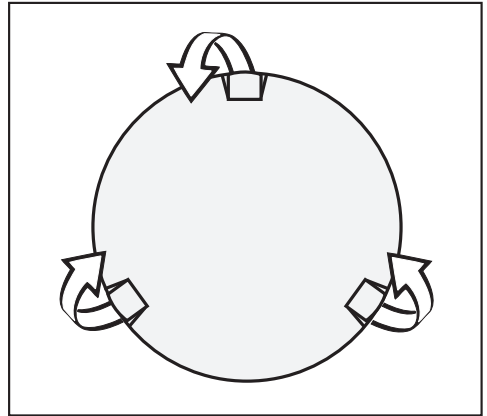
## Installation to the left or right side of the machine

### At the rear

The connection is opened at the factory.

- Fit one of the venting systems described on the following pages.

### Left or right side of the machine

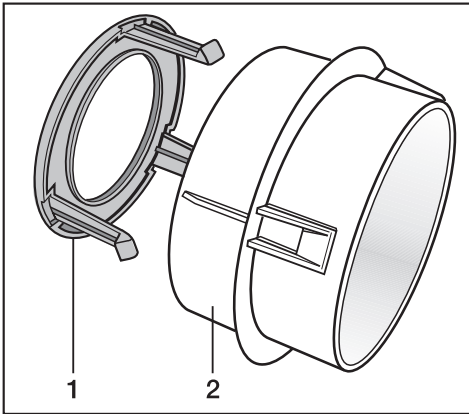


- Remove the left or right hand side cover cap. Do not remove the frame. Refit it in the rear outlet.
- Ensure it is securely in position so that it cannot fall out when the dryer is in operation.
- Fit one of the venting systems described on the following pages.

## Venting systems overview

The various venting systems which are possible (A B C) are described on the following pages.

## Adapter



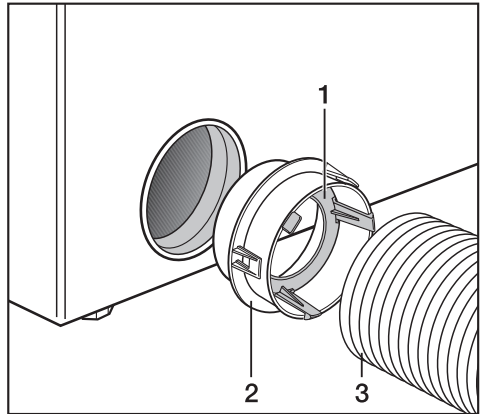
A **ring adapter\*\*** (1) is installed in adapter (2) for the installation of a flexible vent duct. It reduces time and energy requirements during drying when used in combination with a short **vent duct (maximum 10 m total length)**. The ring adapter is removable and designed for use with all venting systems.

\*\* Note for test institutes: EN 61121 Standard testing is carried out with the ring adapter.

## Ⓐ Venting system with flexible ducting

This is a simple, cost effective method of directing the moist air outside. The adapter is fitted into the vent opening on the dryer and the ducting hose is then connected to the adapter.

- The following items are required:
  - ... flexible ducting hose
  - ... a wall vent kit\* or window vent kit\*.
- \* (Miele optional accessory).



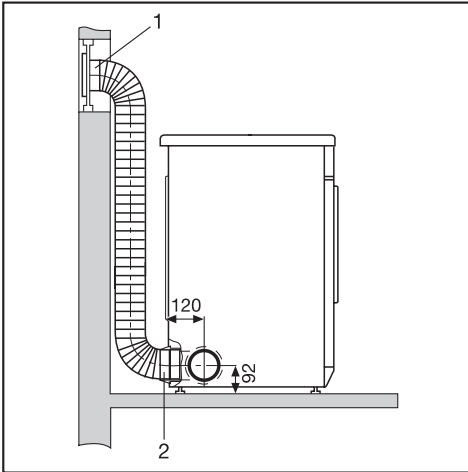
- Ring adapter (1) must be taken out of adapter (2), if the total duct length is longer than 10 m. If the total duct length is less than 10 m the ring adapter should be left in the adapter.
- Fit adapter (2) into the vent opening on the dryer, and connect vent hose (3).
- See next page for examples.

# Installation - venting

## Installation examples

### Window vent

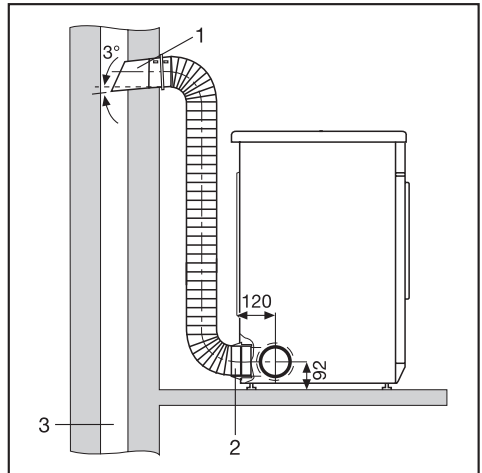
1. Window vent kit (fitted in a




"plexiglass" pane)  
(separate fitting instructions are  
supplied with the Miele window vent  
kit)

2. Adapter for flexible hose

### Connection to an exhaust flue



1. Pipe with connection piece  
(= supplied with the Miele wall vent  
kit)
2. Adapter for flexible hose
3. Exhaust flue insulated against damp

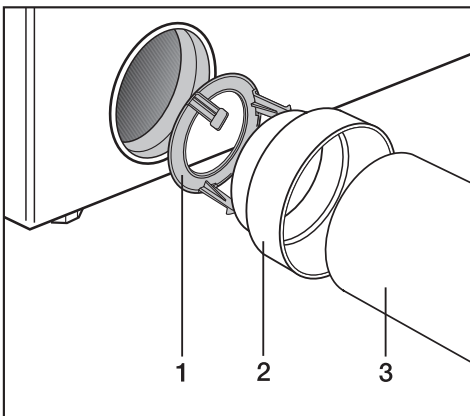
 The ducting must not be vented into a chimney or vent flue which is in use, nor should it be connected to ducting which ventilates rooms with fireplaces.



## B Venting system with plastic piping

Plastic piping is a good option where the vented air has to be ducted for some distance. The smooth walls of the pipe are less resistant to the vented air than the walls of a flexible vent hose, for example. Time and energy consumption are better with plastic piping.

- The following items are required: . . .
  - . . . an adapter\* (dia. 100 mm)\* with rib on the inside.
  - . . . a wall vent kit\* or window vent kit\*.
- \* (Miele optional accessory)
- . . . Suitable plastic piping is available from your dealer or builder's merchant. If a pipe diameter greater than 100 mm is required, additional adapters are necessary (e.g. to increase from Ø 100 to 125 mm) to connect the pipe to the dryer.

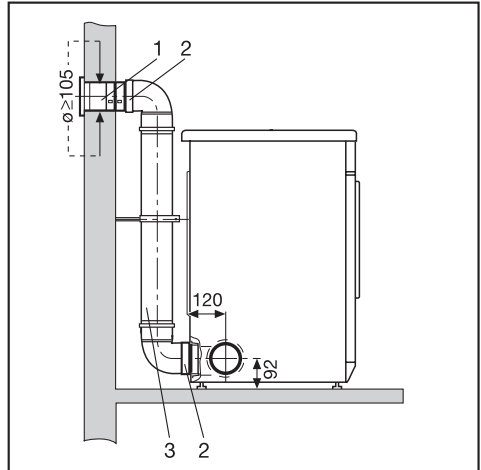


- 1 The ring adapter (1) only needs to be fitted into the Miele adapter (2), if the total duct length is less than 10 m.

If the total duct length is greater than 10 m the ring adapter is not required.

- 2 Fit Miele adapter (2) into the vent opening on the dryer.
- 3 Attach the pipe (3).

### Example



1. Wall vent kit  
(Separate fitting instructions are supplied with the Miele wall vent kit).
2. Adapter
3. Plastic piping, diameter DN 100

# Installation - venting

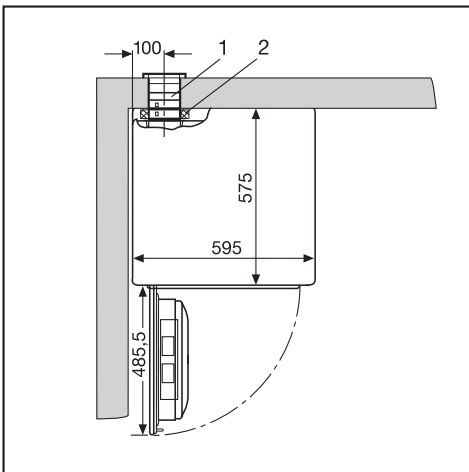
## ③ Connecting directly to a wall vent

The best method of venting the dryer is to connect it directly to the outside wall of a room. However, it is necessary to insert the wall vent right through the wall.

Because the vented air is blown directly outside, and has only a short distance to go, this system is very efficient in terms of time and energy consumption.

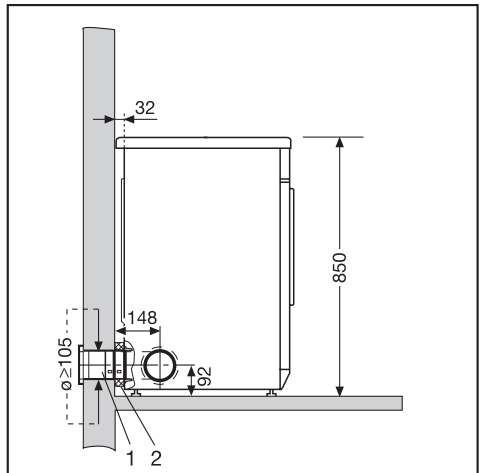
- A wall pipe and a flexible foam gasket must be used (both Miele optional accessories).
- ① Before drilling into the wall . . .  
. . . please read the installation instructions supplied with the Miele wall pipe.  
. . . and study the following diagrams.

View from above:

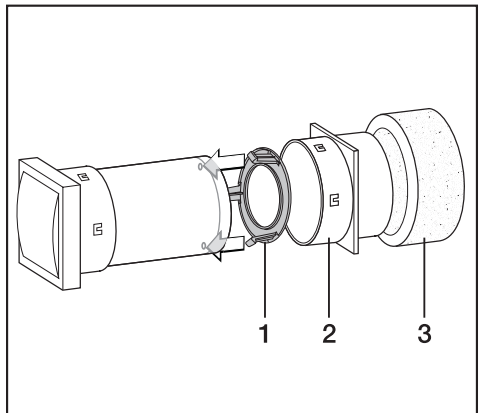


1. Wall pipe
2. Flexible foam gasket

Side view:



1. Wall pipe
2. Flexible foam gasket

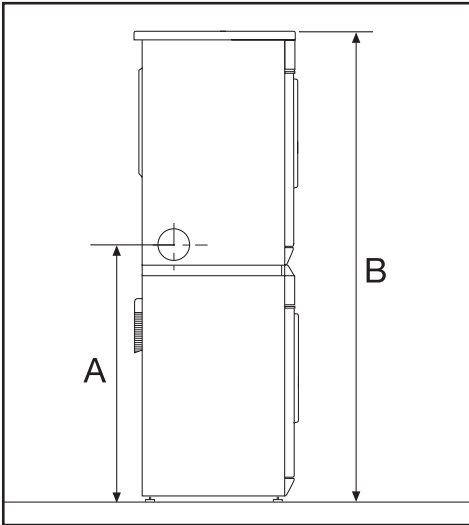


- ② Insert the ring adapter (1) into the wall pipe.
- ③ Fit the foam gasket (3) on to the connecting piece (2) on the wall pipe and push the dryer up against the wall.

## Washer dryer stack

### Height of venting outlet for washer dryer stack

Miele washing machine with straight or sloping fascia



Stacking kit\* without pull-out shelf:

A = 94.2 cm

B = 170.0 cm

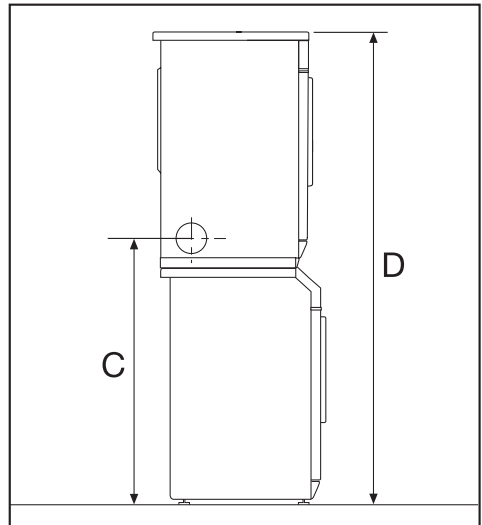
Stacking kit\* with pull-out shelf:

A = 92.8 cm

B = 168.6 cm

\* Miele optional accessories

Miele washing machine with Comfort line angled fascia



Stacking kit\* without pull-out shelf:

C = 94.2 cm

D = 170.0 cm

Stacking kit\* with pull-out shelf:

C = 96.0 cm

D = 171.8 cm

\* Miele optional accessories

# Consumption data

Programme	Load kg*	Final spin speed in a domestic washing machine	Energy kWh	Time Minutes
		rpm		
<b>Cottons Normal</b>	6.0	800 (70 % residual moisture)**	3.90	107
		1200	3.05	85
		1400	2.90	81
		1600	2.80	78
		1800	2.55	71
<b>Cottons Hand iron</b>	6.0	800 (70 % residual moisture)**	3.00	82
		1200	2.20	61
		1400	2.05	57
		1600	1.95	55
		1800	1.70	48
<b>Minimum iron Normal</b>	3.0	1000 (50 % residual moisture)**	1.35	38
<b>Minimum iron Hand iron</b>	3.0	1000	1.20	33
<b>Automatic</b>	3.0	900	1.75	49
<b>Woollens handcare</b>	2.0	-	0.15	3
<b>Smoothing</b>	3.0	-	0.30	8

\* Weight of dry laundry

\*\* EN 61121 Standard testing is carried out with the ring adapter.

All data established in accordance with EN 61121.

Before testing in accordance with EN 61121, dry a 3 kg load of cotton laundry with 70% residual moisture as per the above standard using the Cottons Normal programme.

**Consumption data can vary from the nominal values given above depending on the size of the load, types of textiles, residual moisture levels after spinning, fluctuations in the electricity supply and any additional options selected.**

## Technical data

Height	850 mm (adjustable +7 / -7 mm)
Height for building under	820 mm
Width	595 mm
Depth	580 mm
Depth with door open	1,060 mm
Weight	48 kg
Drum volume	100 litres
Maximum capacity	6 kg dry weight
Length of connection cable	2 m
Voltage	see data plate
Connected load	see data plate
Fuse rating (UK)	see plug
Lamp wattage	see data plate
Energy consumption	see "Consumption data" section
Test certificates awarded	Radio / TV suppression, VDE



## Programmable functions for changing default settings

The programmable functions are used to alter the machine's electronics to suit changing requirements.  
Programmable functions can be altered at any time.

# Programmable functions

## Altering the residual moisture level in the Cottons programmes

The machine is designed to dry effectively using as little energy as possible.

However, if you require the laundry to be drier, it is possible to reduce the default residual moisture level in the Cottons programmes.

Please note that programme durations will be longer if this option is activated.

Follow steps ① to ⑦ to programme and store in memory.

Before you begin, first ensure that:

- The tumble dryer is switched off.
- The door is closed.
- The programme selector is at *Finish*.

- ① Press the *Start* button and keep it pressed in whilst carrying out steps ②-③.
- ② Switch the dryer on with the *I-On/O-Off* button.
- ③ Wait until the *Start* indicator lamp comes on . . .
- ④ . . . and then release the *Start* button.
- ⑤ Turn the programme selector to the *Cottons Normal* position.
- ⑥ Pressing the *Start* button switches between activating and deactivating the drier setting.
  - If the *Drying* indicator lamp is flashing: the **drier setting is activated**
  - If the *Drying* indicator lamp is not flashing, the **drier setting is not activated** and the residual moisture level is on the standard default setting.
- ⑦ Switch the machine off with the *I-On/O-Off* button.

The setting you have selected is now stored in memory. You can change it again at any time.

### To check:

- Make sure the dryer is switched off, the door is closed and the programme selector is at *Finish* and then carry out steps ① to ⑤.

The *Drying* indicator lamp will show you if the drier setting has been selected.

- Switch off the dryer.

The check is complete.



### Altering the residual moisture level in the Minimum iron programmes

The machine is designed to dry effectively using as little energy as possible.

However, if you require the laundry to be drier, it is possible to reduce the default residual moisture level in the Minimum iron programmes.

Please note that programme durations will be longer if this option is activated.

Follow steps ① to ⑦ to programme and store in memory.

Before you begin, first ensure that:

- The tumble dryer is switched off.
- The door is closed.
- The programme selector is at *Finish*.

- ① Press the *Start* button and keep it pressed in whilst carrying out steps ②-③.
- ② Switch the dryer on with the *I-On/O-Off* button.
- ③ Wait until the *Start* indicator lamp comes on . . .
- ④ . . . and then release the *Start* button.
- ⑤ Turn the programme selector to the *Cottons Low temperature* position.
- ⑥ Pressing the *Start* button switches between activating and deactivating the drier setting.

– If the *Drying* indicator lamp is flashing, the **drier setting is activated**

– If the *Drying* indicator lamp is not flashing, the **drier setting is not activated** and the residual moisture level is on the standard default setting.

- ⑦ Switch the machine off with the *I-On/O-Off* button.

The setting you have selected is now stored in memory. You can change it again at any time.

#### To check:

- Make sure the dryer is switched off, the door is closed and the programme selector is at *Finish* and then carry out steps ① to ⑤.

The *Drying* indicator lamp will show you if the drier setting has been selected.

- Switch off the dryer.

The check is complete.

# Programmable functions

---

## Activating and deactivating the buzzer

A buzzer sounds (at intervals for a maximum of 1 hr) to let you know the programme has finished.

The machine is delivered with the buzzer activated but you can deactivate it if wished.

The buzzer will still sound if there is a fault, even if it has been deactivated.

### Follow steps ❶ to ❷ to programme and store in memory.

#### Before you begin, first ensure that:

- The tumble dryer is switched off.
- The door is closed.
- The programme selector is at *Finish*.

- ❶ Press the *Start* button and keep it pressed in whilst carrying out steps ❷-❸.
- ❷ Switch the dryer on with the *I-On/O-Off* button.
- ❸ Wait until the *Start* indicator lamp comes on . . .
- ❹ . . . and then release the *Start* button.
- ❺ Turn the programme selector to the *Cottons Hand iron* position.
- ❻ Pressing the *Start* button switches between activating and deactivating the buzzer.
  - If the *Drying* indicator lamp is not flashing:  
**the buzzer is deactivated**
  - If the *Drying* indicator lamp is flashing:  
**the buzzer is activated**
- ❼ Switch the machine off with the *I-On/O-Off* button.

The setting you have selected is now stored in memory. You can change it again at any time.

#### To check:

- Make sure the dryer is switched off, the door is closed and the programme selector is at *Finish* and then carry out steps ❶ to ❺.

The *Drying* indicator lamp will show you if the buzzer is activated.

- Switch off the dryer.

The check is complete.

### Extending the cooling down time

The cooling down phase which takes place before the end of a programme can be lengthened if required. This makes the garments easier to handle.

The dryer is delivered with the extended cooling down time option deactivated. You can extend the cooling down time by 5 minutes or 10 minutes.

The option of extending the cooling down time is available with the *Cottons*, *Minimum iron* and *Automatic* programmes.

#### Follow steps ① to ⑦ to programme and store in memory.

#### Before you begin, first ensure that:

- The tumble dryer is switched off.
- The door is closed.
- The programme selector is at *Finish*.

- ① Press the *Start* button and keep it pressed in whilst carrying out steps ②-③.
- ② Switch the dryer on with the *I-On/O-Off* button.
- ③ Wait until the *Start* indicator lamp comes on . . .
- ④ . . . and then release the *Start* button.
- ⑤ Turn the programme selector to the *Cottons Machine iron* position.
- ⑥ Pressing the *Start* button alters the cooling down time.

- If the *Drying* indicator lamp flashes once:  
**The cooling down time will be five minutes longer.**
- If the *Drying* indicator lamp flashes twice:  
**The cooling down time will be ten minutes longer.**
- If the *Drying* indicator lamp is not flashing:  
**The cooling down time is not extended.**

- ⑦ Switch the machine off with the *I-On/O-Off* button.

The setting you have selected is now stored in memory. You can change it again at any time.

#### To check:

- Make sure the dryer is switched off, the door is closed and the programme selector is at *Finish* and then carry out steps ① to ⑤.

The *Drying* indicator lamp will show you if the cooling down time has been extended.

- Switch off the dryer.

The check is complete.

# Programmable functions

## Changing the standard drying level in the Minimum iron - Normal programme

The drying level for this programme is set at a standard level. You have the option of changing this to an increased drying level.

The machine is delivered with the drying level set at *Normal*

You can change this to *Normal+* (drier than the standard drying level).

Important: the "Normal+" drying level will work in addition to the "Altering the residual moisture level in the *Minimum iron programmes*" programmable function, if you have already set this.

### Follow steps ① to ⑦ to programme and store in memory.

#### Before you begin, first ensure that:

- The tumble dryer is switched off.
- The door is closed.
- The programme selector is at *Finish*.

- ① Press the *Start* button and keep it pressed in whilst carrying out steps ②-③.
- ② Switch the dryer on with the *I-On/O-Off* button.
- ③ Wait until the *Start* indicator lamp comes on . . .
- ④ . . . and then release the *Start* button.
- ⑤ Turn the programme selector to *Minimum iron - Normal*.

- ⑥ Pressing the *Start* button alters the drying level.

- If the *Drying* indicator lamp is flashing:

**the standard drying level is *Normal+***

- If the *Drying* indicator lamp is not flashing, the **increased drying level is not activated** and the drying level will remain on the standard setting (*Normal*).

- ⑦ Switch the machine off with the *I-On/O-Off* button.

The setting you have selected is now stored in memory. You can change it again at any time.

#### To check:

- Make sure the dryer is switched off, the door is closed and the programme selector is at *Finish* and then carry out steps ① to ⑤.

The *Drying* indicator lamp will show you if the *Normal+* drying level has been set.

- Switch off the dryer.

The check is complete.

### Changing the standard drying level in the Automatic programme

The drying level for this programme is set at a standard level. You have the option of changing this to an increased drying level.

The machine is delivered with the drying level set at *Normal*

You can change this to *Hand iron* (damper) or *Normal+* (drier than the standard drying level).

#### Follow steps ① to ⑦ to programme and store in memory.

#### Before you begin, first ensure that:

- The tumble dryer is switched off.
- The door is closed.
- The programme selector is at *Finish*.

- ① Press the *Start* button and keep it pressed in whilst carrying out steps ②–③.
- ② Switch the dryer on with the *I-On/O-Off* button.
- ③ Wait until the *Start* indicator lamp comes on . . .
- ④ . . . and then release the *Start* button.
- ⑤ Turn the programme selector to the *Automatic* position.

- ⑥ Pressing the *Start* button alters the drying level.

- If the *Drying* indicator lamp flashes twice:

**the standard drying level is *Normal+***

- If the *Drying* indicator lamp is not flashing:

**the standard drying level is *Hand iron***

- If the *Drying* indicator lamp flashes once, the **drying level has not been changed and** will remain on the standard setting (*Normal*).

- ⑦ Switch the machine off with the *I-On/O-Off* button.

The setting you have selected is now stored in memory. You can change it again at any time.

#### To check:

- Make sure the dryer is switched off, the door is closed and the programme selector is at *Finish* and then carry out steps ① to ⑤.

The *Drying* indicator lamp will show you if the drying level has been changed.

- Switch off the dryer.

The check is complete.





**United Kingdom:**

Miele Co. Ltd.  
Fairacres, Marcham Road  
Abingdon, Oxon, OX14 1TW  
tel. Abingdon (01235) 554455  
Service Office: (01235) 554466  
fax (01235) 554477  
Internet: [www.miele.co.uk](http://www.miele.co.uk)

**Ireland:**

Miele Ireland Ltd.  
Broomhill Road, Tallaght, Dublin 24  
Tel: (01) 46 10 710, Fax: (01) 46 10 797  
Email: [info@miele.ie](mailto:info@miele.ie)  
Internet: <http://www.miele.ie>

**Australia:**

Miele Australia Pty. Ltd.  
A.C.N. 005635398  
1 Gilbert Park Drive  
Knoxfield, VIC 3180  
Telephone: (03) 9764 7100  
Fax: (03) 9764 7129  
Internet: [www.miele.com.au](http://www.miele.com.au)

**Distributor New Zealand:**

Steelfort Engineering Company. Ltd.  
500 Rangitikei Street  
Palmerston North, Priv. Bag 11045, NZ  
Telephone: (06) 350 1350  
Fax: (06) 356 1507

**South Africa:**

Miele (Pty) Ltd  
63 Peter Place  
Bryanston 2194  
P.O. Box 69434  
Bryanston 2021  
Tel.: (011) 548 1900  
Telefax (011) 548 1935  
Internet: [www.miele.co.za](http://www.miele.co.za)  
E-mail: [info@miele.co.za](mailto:info@miele.co.za)

**Singapore:**

Miele Southeast Asia  
Miele Pte. Ltd.  
163 Penang Road  
# 04 - 02/03 Winsland House II  
Singapore 238463  
Tel : +65-67351191  
Fax: +65-67351161  
Email: [infosea@miele.com.sg](mailto:infosea@miele.com.sg)  
Internet: [www.miele.sg](http://www.miele.sg)

**Hong Kong:**

Miele (Hong Kong) Limited  
AIA Plaza, 24<sup>th</sup> Floor  
18 Hysan Avenue  
Causeway Bay  
Hong Kong  
Tel.: (852) 2610 1331  
Fax: (852) 2610 1013  
E-mail: [mielehk@miele.com.hk](mailto:mielehk@miele.com.hk)



## Free Manuals Download Website

<http://myh66.com>

<http://usermanuals.us>

<http://www.somanuals.com>

<http://www.4manuals.cc>

<http://www.manual-lib.com>

<http://www.404manual.com>

<http://www.luxmanual.com>

<http://aubethermostatmanual.com>

Golf course search by state

<http://golfingnear.com>

Email search by domain

<http://emailbydomain.com>

Auto manuals search

<http://auto.somanuals.com>

TV manuals search

<http://tv.somanuals.com>