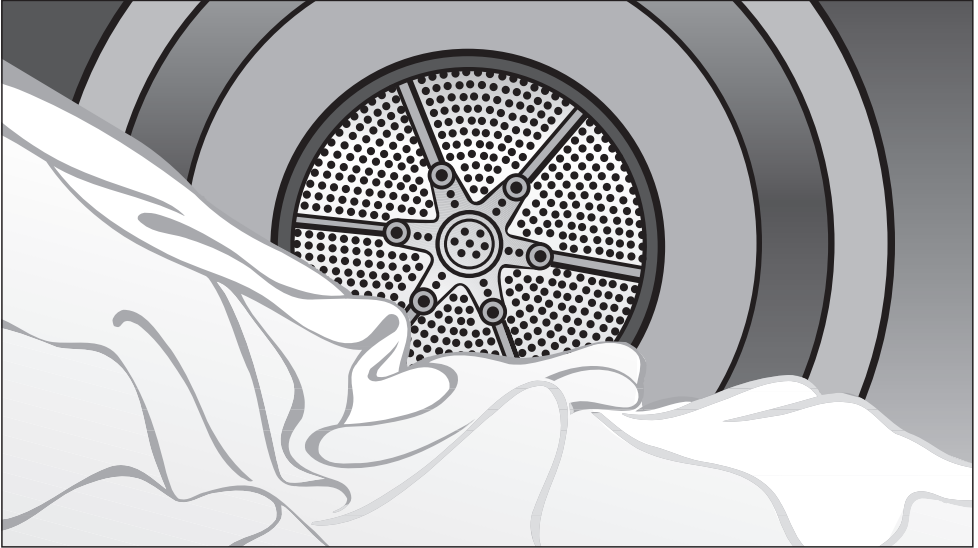


Miele

TOUCHTRONIC 



Operating and Installation Instructions Condenser Dryer T 8019 C

To prevent accidents
and machine damage
read these instructions
before
installation or use.

HT21-4


en - US, CA

M.-Nr. 06 881 341

Contents

IMPORTANT SAFETY INSTRUCTIONS	3
Control panel	5
Before loading the dryer	6
Using the dryer	7
1. Turn on the dryer and load the laundry	7
2. Select a program	7
3. Select a drying option (if needed)	9
4. Select the dryness level	10
5. Select the buzzer (if desired)	10
6. Start the program	11
7. At the end of a program	11
Canceling or changing a program	12
Adding or removing laundry during a program	12
Child lock	13
Dryer care	14
Cleaning the lint filter	14
Cleaning the exterior and the control panel	15
Cleaning the drum	15
Emptying the condensed water container	16
Cleaning the condenser	17
Changing the light bulb	20
Quick Guide	21
Frequently asked questions	21
After sales service	23
INSTALLATION INSTRUCTIONS	25
IMPORTANT SAFETY INSTRUCTIONS	26
Caring for the environment	27
Washer / Dryer Stack	28
Electrical connection	29
Installation	30
Installation site	31
Installation beneath a counter	31
Installation tips	32
Level the dryer	32

IMPORTANT SAFETY INSTRUCTIONS

 **WARNING** - To reduce the risk of fire, electric shock, or injury to persons when using your appliance, follow basic precautions, including the following:

- ▶ Read all instructions before using the appliance.
- ▶ Do not dry articles that have been previously cleaned, washed, soaked or spotted with gasoline, dry-cleaning solvents or other flammable or explosive substances. They may give off vapors that could ignite or explode.
- ▶ Do not allow children to play on or in the appliance. Close supervision is necessary when the appliance is used near children. Always close the door after use to prevent child hazards.
- ▶ Before this appliance is removed for service or discarded, remove the door to the drying compartment.
- ▶ Do not reach into the dryer if the drum is moving.
- ▶ Do not install or store this appliance where it will be exposed to the weather.
- ▶ Do not tamper with the controls.
- ▶ Do not repair or replace any part of the appliance or attempt any servicing unless specifically recommended in these operating instructions. Repairs to electrical appliances should only be performed by qualified personnel. Incorrectly repaired machines may pose a considerable risk to the user.
- ▶ Do not use fabric softener sheets to eliminate static in this dryer. Best results are achieved when a liquid softener is used in the washer.
- ▶ Do not use heat to dry articles containing foam rubber or similarly textured rubber-like materials, or items containing hair spray, nail polish remover or similar substances, wax or chemicals from buffing.
- ▶ Clean the lint filter before or after each load.
- ▶ Keep the area around the air intake (toe kick) and adjacent surrounding areas free from lint, dust and dirt.
- ▶ The interior of the machine should be cleaned periodically by qualified personnel.
- ▶ Do not place items exposed to oils in your dryer. Items contaminated with oils may contribute to a chemical reaction that could cause the laundry to catch fire.

This dryer is intended for residential use only!

IMPORTANT SAFETY INSTRUCTIONS

▶ GROUNDING INSTRUCTIONS

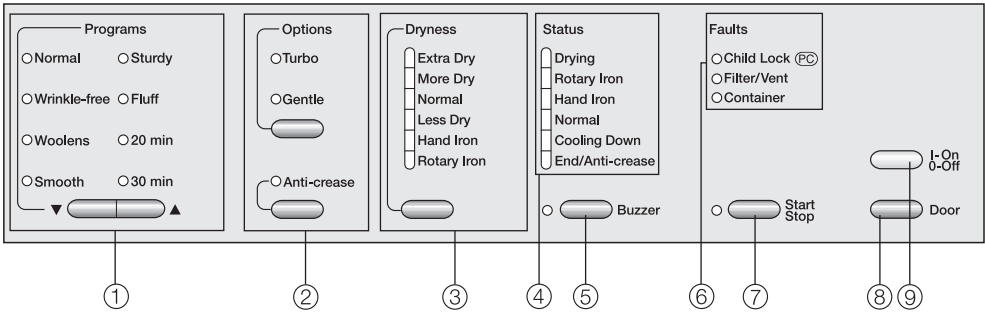
This appliance must be grounded. In the event of malfunction or breakdown, grounding will reduce the risk of electric shock by providing a path of least resistance for electric current.

This appliance is equipped with a cord having an equipment grounding conductor and a grounding plug. The plug must be plugged into an appropriate outlet that is properly installed and grounded in accordance with all local codes and ordinances.

▶ **WARNING** – Improper connection of the equipment-grounding conductor can result in a risk of electric shock. Contact a qualified electrician if you are in doubt as to whether the appliance is properly grounded.

▶ Do not modify the plug provided with the appliance: if it will not fit the outlet, have a proper outlet installed by a qualified electrician.

SAVE THESE INSTRUCTIONS



① ▼▲ "Programs" buttons

For selecting a drying program.

② "Options" buttons

For selecting a drying option.

③ "Dryness" button

For selecting the dryness level of the finished laundry.

④ "Status" display

Shows the current cycle of the drying program.

⑤ "Buzzer" button

When selected, a buzzer will sound at the end of the program.

⑥ "FAULT" indicators

An illuminated indicator will alert you if the child lock has been activated or if a fault occurred.

⑦ "Start/Stop" button

Starts and stops a program.

Interrupts a program when pressed.

Flashes during program selection and lights once the program starts.

⑧ "Door" button

Opens the door when the program has finished. If the dryer is on, the drum interior will light when the door is opened. If the door is left open, the light will go off after a few minutes to save energy.

⑨ "On/Off" button

Turns power to the machine on and off.

Before loading the dryer

The dryer must be correctly installed and connected before the first use. Please refer to the "Installation Instructions".

- Before using for the first time, clean the drum with a cloth.

Before drying, check fabric care labels for special drying instructions.

- Dry with normal temperature
- Dry with low temperature (select "Gentle" option)
- Do not dry in a tumble dryer

- Do not overload the drum! Overloading the dryer will result in poor drying results and wrinkling.
- **Knitted fabrics and flannel** tend to shrink when washed and dried for the first time. Do not over dry these fabrics.
- To prevent discoloration, do not dry **new, dark-colored fabrics** with light-colored items.
- Close zippers and tie up fabric belts and apron ties to prevent tangles and damage to clothing.
- Do not dry items that may melt or ignite in the dryer, such as plastics, rubber or sneakers.

Program recommendations

Normal

- Cottons and Permanent Press blends

Wrinkle-free

- Permanent Press: select the **Hand Iron** dryness level and reduce the load size for best drying results
- Delicate fabrics, such as polyester: select the **Gentle** option to reduce creasing
- Pure linen and down filled items

Woolens

- Wool and wool blends

Smooth

- Linen
- Permanent Press (cottons, blends and synthetics)

Sturdy

- Durable Cottons and Permanent Press

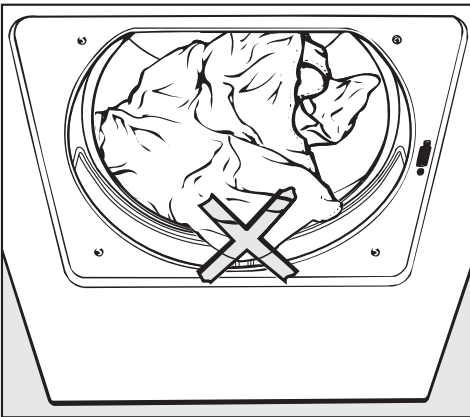
Fluff / 20 min / 45 min

- All fabric types

1. Turn on the dryer and load the laundry

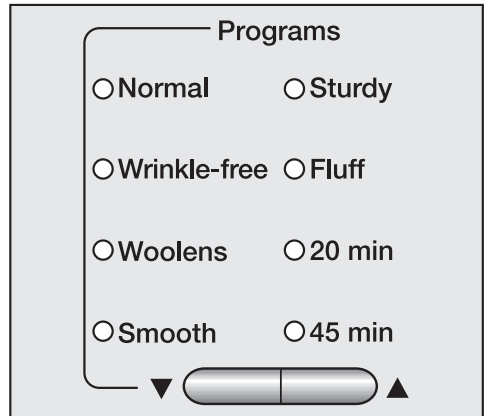
- Press the "On/Off" button to turn on the dryer.
- Press the "Door" button to open the door.
- Load the laundry loosely into the drum.
- Make sure the lint filters are in place.
- Close the door with a firm swing - do not push it shut.

For best results use liquid fabric softener when washing laundry. Fabric softener sheet may clog the filters and cause the dryer to overheat.



To prevent fabric damage, check that laundry will not be caught in the closed door.

2. Select a program

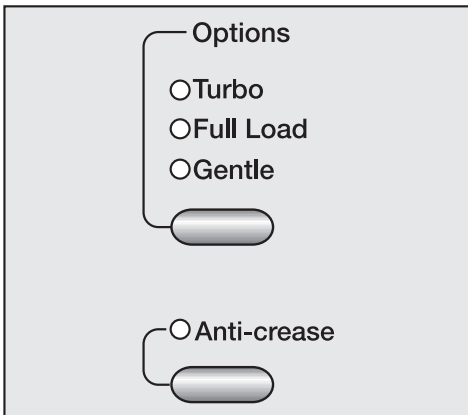


- Press the ▼ or ▲ button until the desired program indicator lights.

Using the dryer

Program	Fabric	Note
Normal Available drying options: Turbo, Gentle, Anti-crease		
Extra Dry	Multi-layer fabrics, mixed loads of sturdy cottons, e.g. jeans, towels.	The "Extra dry" program should not be selected for jersey materials. Items may shrink.
More Dry	Uniform loads of cotton, e.g. sheets, underwear, socks.	-
Normal	Knitted cotton fabrics that may shrink, e.g. jersey material or lightweight cottons.	If items are still damp, dry again using "More Dry".
Less Dry	Cotton or linen fabrics to be left damp for ironing.	-
Hand Iron		If fabrics are too damp for ironing, dry again using "Less Dry".
Rotary Iron	Cotton or linen fabrics which will be ironed with a rotary iron.	To prevent moisture loss, roll up the laundry until ironing.
Wrinkle-free Available drying options: Turbo, Gentle, Anti-crease		
More Dry	Synthetic permanent press items, e.g. pants and shirts.	-
Normal	Permanent press and blended fabrics, e.g. cotton/synthetic.	
Less Dry	Permanent press and blended fabrics requiring an ironed finish.	Reduce load size for fabrics that wrinkle easily.
Special Programs Available drying options: Anti-crease only available in Fluff, Sturdy		
Woolens	Delicate items which allow machine drying.	Remove items immediately after the end of the program while still slightly damp. Allow items to air dry.
Smooth	Program for reducing creasing of cotton, linen or permanent press fabrics made of cotton, blends or synthetics.	-
Sturdy	For mixed loads of cotton and permanent press items.	-
Fluff	Individual items to be freshened and fluffed with cool air.	Reduce load size.
TIMED CYCLES Available drying options: Gentle, Anti-crease		
20 min	Individual items or very small loads, e.g. beach towels, swimsuits.	-
45 min		

3. Select a drying option (if needed)



- A drying option can be selected or deselected with each press of the button.

OPTIONS

Turbo

Fast drying for sturdy fabrics with increased temperature and a reduced program length.

Gentle

For drying delicate fabrics slowly at a lower temperature.

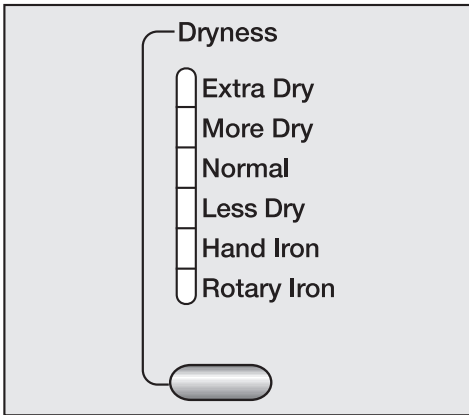
Anti-crease

Prevents wrinkles if laundry is not removed immediately after the end of a program. The drum periodically rotates for about 1 hour.

Using the dryer

4. Select the dryness level

The dryness level can be selected in the "Normal" and "Wrinkle-free" programs. (The dryness level of the other programs cannot be adjusted.)



- Press the selection button until the desired indicator illuminates.

In the "Wrinkle-free" program, only "More Dry", "Normal" and "Less Dry" can be selected.

5. Select the buzzer (if desired)

- Press the "Buzzer" button to have a tone beep at the end of the program.

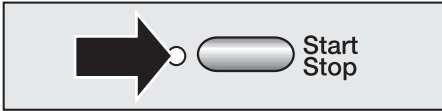
Indicator light:

on = buzzer selected
off = buzzer not selected

To adjust the buzzer volume:

- turn the dryer on
- close the door
- select a program
- if the indicator is lit, press the "Buzzer" button so the **indicator light goes out.**
- Press and hold the "Buzzer" button until its indicator is lit and you hear the desired volume and tone.

6. Start the program



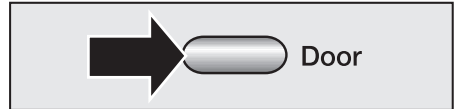
- Press the "Start/Stop" button.

Once the program starts, the current cycle of the program will be indicated in the "STATUS" display.

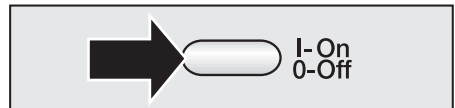
7. At the end of a program

The "End/Anti-crease" indicator will light at the end of a program and the buzzer will sound if it was selected.

If a fault occurred, a "FAULT" indicator will light. See "Frequently asked questions" for details.



- Press the "Door" button.
- Open the door.
- Remove the laundry.
- Check that the drum is empty.
- Clean the lint filter after each use (see "Dryer care").
- Close the door.



- Press the "On/Off" button to turn off the dryer.
- Empty the condensed water container weekly (if not connected to a drain).

Using the dryer

Canceling or changing a program


- Press and release the "Start/Stop" button to stop the drying program.

To continue drying:

- Select the new program by pressing the ▼ or ▲ button.
- Select any desired options.
- Select a dryness level (available in the "Normal" and "Wrinkle-free" programs).
- Press and release the "Start/Stop" button to start the new program.

Adding or removing laundry during a program

- Turn off the dryer using the "On/Off" button.
- Press the "Door" button.
- Open the door.

 **CAUTION** - Do not touch the rear of the drum while adding or removing items! There is a danger of burns due to high temperatures in the drum.

- Add or remove items.
- Close the door.
- Turn the dryer back on with the "On/Off" button.

Child lock

When activated, the child lock prevents the dryer from being operated by locking the control panel functions.

The dryer can be turned on but not started. The "Child lock" indicator will flash.

The door can be opened.

To activate the child lock

- 1.** Make sure the dryer is turned off and the door is closed.
- 2.** Press and hold the "Anti-crease" and "DRYNESS" buttons at the same time, hold until step 5.
- 3.** Turn on the dryer with the "On/Off" button.
- 4.** Press the "OPTIONS" button 3 times.
- 5.** Release the "Anti-crease" and "DRYNESS" buttons.

The "Child lock" indicator will flash and the dryer is now locked.

- 6.** Turn off the dryer using the "On/Off" button.

To deactivate the child lock

Repeat steps **1.** to **5.**

The "Child lock" indicator will go out.

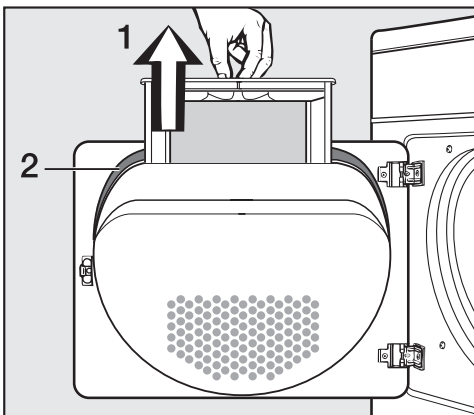
The control panel is now unlocked.

- 6.** Turn off the dryer using the "On/Off" button.

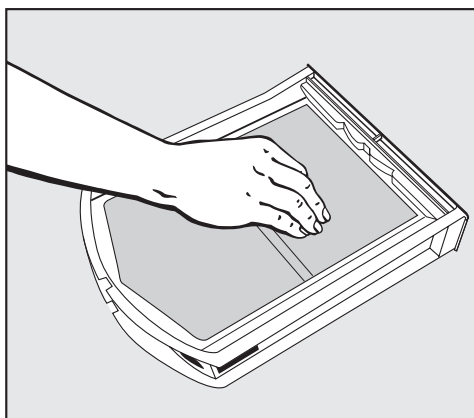
Dryer care

Cleaning the lint filter

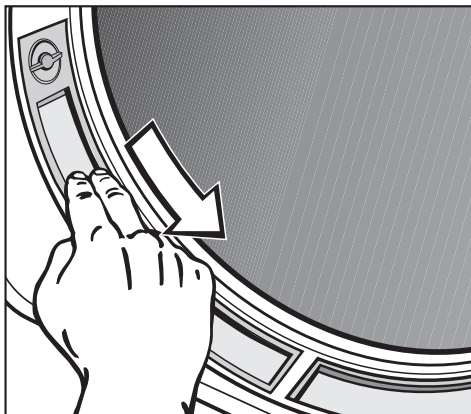
The lint filter must be cleaned after every program.



- Open the door and remove the lint filter **1** by gently lifting it upwards.



- Wipe the lint off the filter with your hand (do not use any sharp objects!)




- Remove the lint from the door frame lint filter with your fingers.
- Any lint remaining in the hollow casing of the door can be removed through the gap at the bottom with a dust brush or vacuum.
- Clean the gasket **2** with a damp cloth.
- Return the lint filter and close the door.

The lint filters (once removed from the dryer) can be rinsed with hot water if necessary. The filters must be dried thoroughly before being returned to the dryer.

- Take the door lint filters out by turning the knob at the filter top.

Cleaning the exterior and the control panel

 To reduce the risk of electric shock, disconnect the dryer from the power supply by shutting off the power main, tripping the circuit breaker or unplugging the power cord before performing maintenance.

Never use abrasive cleaners, scouring pads, steel wool or caustic (oven) cleaners on the dryer. They will damage the surface.

- The exterior and the control panel can be cleaned with warm water and liquid dish soap applied with a soft sponge.
- Wipe dry.

Cleaning the drum

- The stainless steel surfaces of the drum can be cleaned using a non-abrasive stainless steel cleaner.
- Wipe clean with a soft cloth.

Dryer care

Emptying the condensed water container

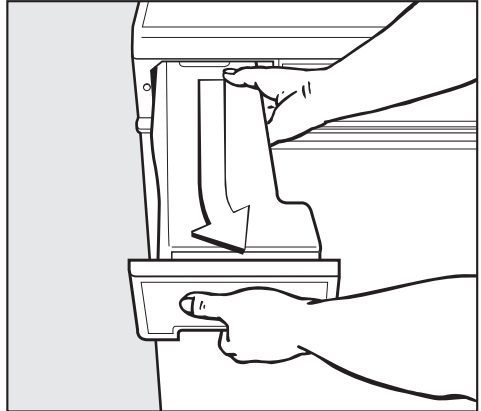
Depending on the installation, the condensed water will either be pumped to a drain or collected in the condensed water container, located in the upper left corner of the machine.

The container holds approximately 1 gallon of water.

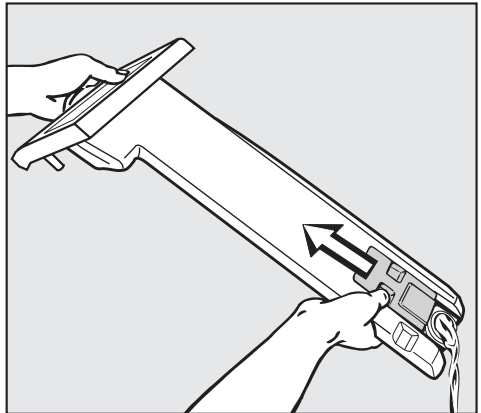
The container should be emptied weekly.

Should the container be full when the tumble dryer is started, or if it becomes full during normal operation:

- The "Container" indicator will light.
- The buzzer will sound.




- Pull out the container slightly to the right with both hands.



- Hold the cap open while emptying the container.
- When the container is empty, push it back into its opening until it clicks into place.
- Restart the drying program if needed.

Do not drink the condensed water!

Cleaning the condenser

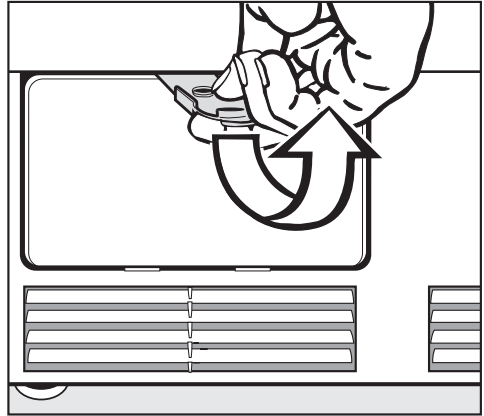
 To reduce the risk of electric shock, disconnect the dryer from the power supply by shutting off the power main, tripping the circuit breaker or unplugging the power cord before performing maintenance.

Detergent residues, hair and lint in the drying air can penetrate filters and clog the condenser. Particles from the cool air sucked in from the install location can cause blockages.

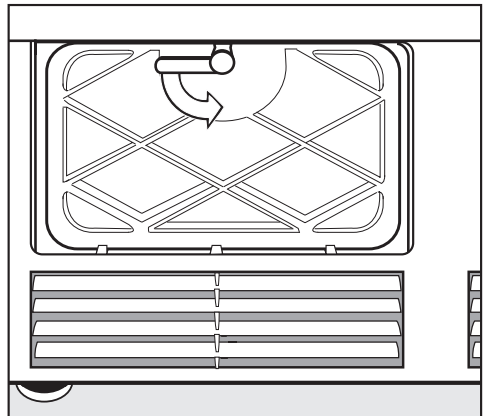
- **Check** the condenser at least twice a year. If used often, check every 100 loads.
- Clean if necessary.

Removing the condenser

- Open the door.

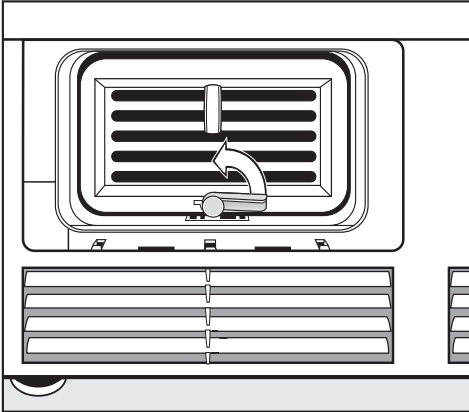


- Open the access panel, located on the lower left corner of the machine, using the yellow tool supplied with the machine. Hold the panel when opening it.

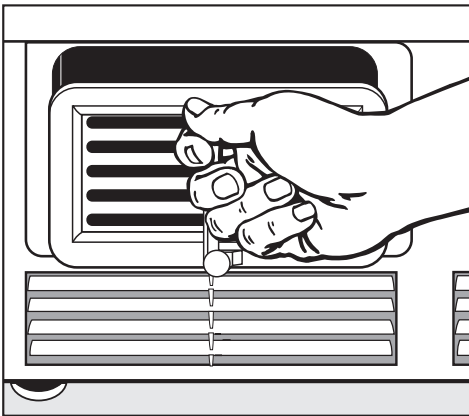


- Remove the panel up and out of the condenser access area.
- Turn the condenser door lock down and remove the door.

Dryer care



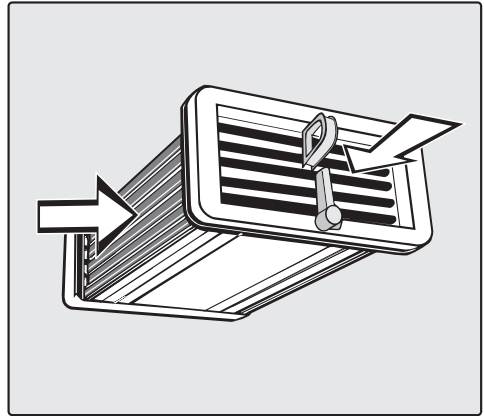
- Turn the condenser lock up.



- Pull out the condenser.

Checking the condenser

- Hold the condenser against the light.



- Look through the front and left side (as illustrated above) of the condenser to check for lint.

If no lint is visible:

- Return the condenser.

If lint is visible:

- Clean the condenser as described.

Cleaning the condenser

- Rinse the condenser along all sides with warm water as shown in pictures below.



- Check the condenser for visible soiling. Continue rinsing until the condenser is clean.



- Check the condenser gasket for soiling.
Do not remove or kink the gasket!
- Place the condenser lengthwise on a towel to air dry.

Returning the condenser


- Put the condenser back in place in the reverse order.

Check the gasket around the front of the condenser is flush and not crimped.

- To prevent leaks, make certain the condenser is pushed in all the way and locked in place.
- Restore power.

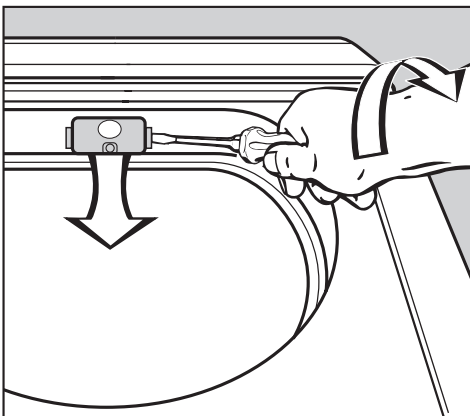
Dryer Care

Changing the light bulb

 To reduce the risk of electric shock, disconnect the dryer from the power supply by shutting off the power main, tripping the circuit breaker or unplugging the power cord before performing maintenance.

- Open the door.

The bulb cover is located along the upper rim of the drum opening.




- Slide a screwdriver with a wide head underneath the side edge of the bulb cover and twist (see illustration).
- Flip down the bulb cover.

- Replace the light bulb with a temperature proof bulb, available from Miele.

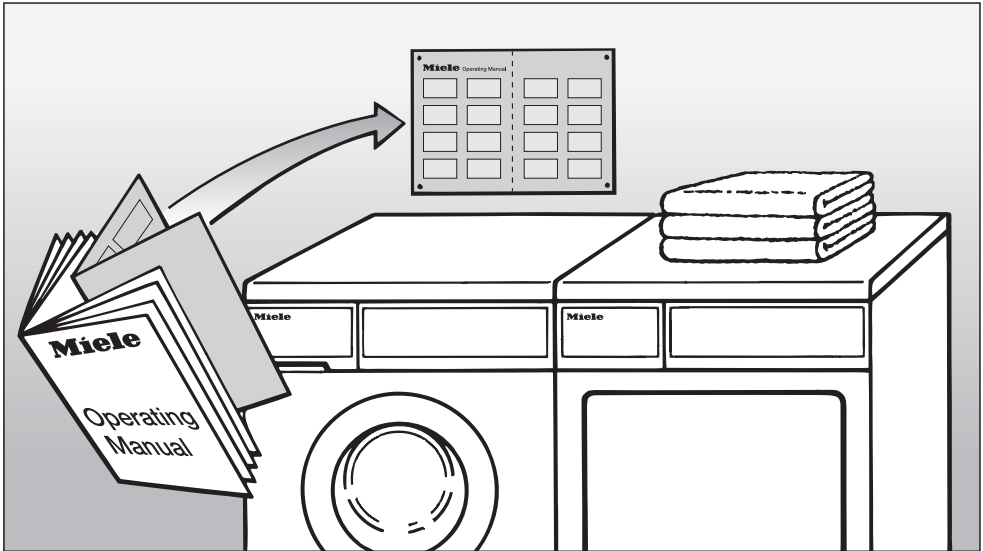
The light bulb must not exceed the maximum wattage listed on the data plate.

- Flip up the light bulb cover and press it firmly until it clicks into place.

 Make sure the bulb cover is securely closed to prevent a short circuit or penetrating moisture.

- Restore power.

Quick Guide

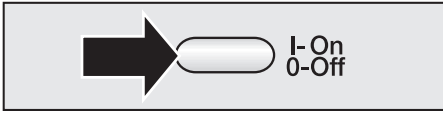


Remove this guide for easy reference

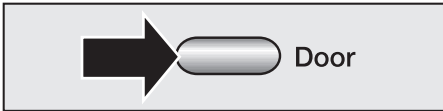
Please read all instructions, especially the "Important Safety Instructions", **before** using the dryer.

Quick Guide

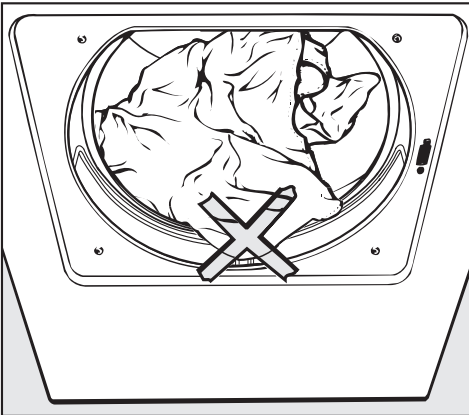
1. Turn on the dryer and load the laundry



- Press the "On/Off" button to turn on the dryer.



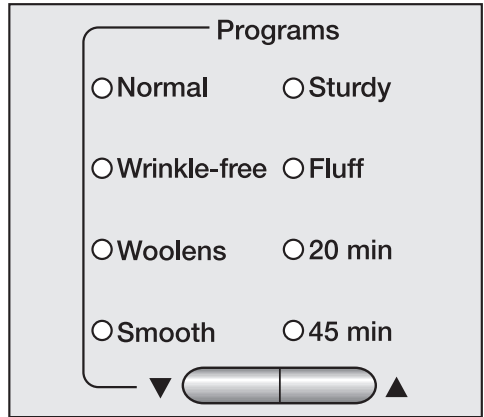
- Press the "Door" button to open the door.
- Load the laundry into the drum. Make sure that there is enough space in the drum for clothes to tumble freely.



To prevent fabric damage, check that laundry will not be caught in the closed door.

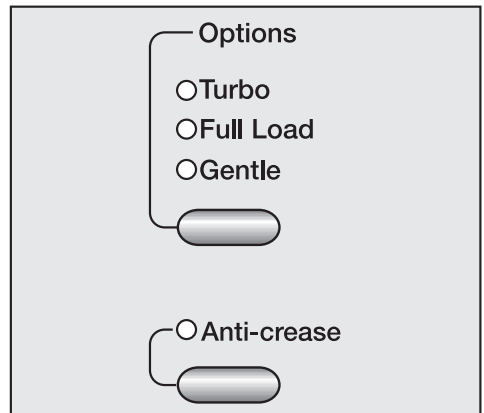
- Close the door with a firm swing - do not push it shut.

2. Select a program



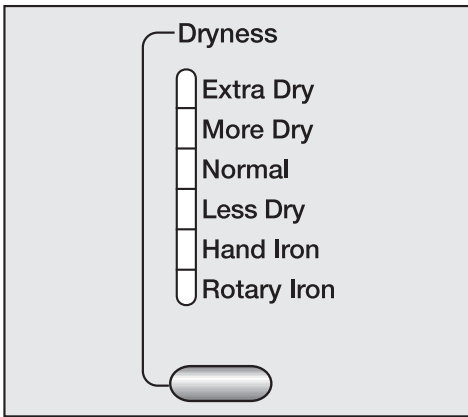
- Press the ▼ or ▲ button until the desired program indicator lights.

3. Select a drying option (if needed)



- A drying option can be selected or deselected with each press of the button.

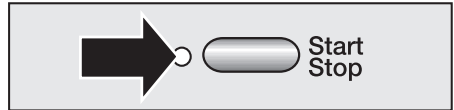
4. Select the dryness level



- Press the selection button until the desired indicator illuminates.

5. Select the buzzer (if desired)

6. Start the program



- Press the "Start/Stop" button.

7. At the end of a program

The "Anti-crease / End" indicator will light.

- Press "Door" and remove the laundry.
- Clean the lint filter.
- Press the "On/Off" button to turn off the dryer.

Quick Guide

Program	When to use	Note
Normal Available drying options: Turbo, Gentle, Anti-crease		
Extra Dry	For laundry to be folded and shelved immediately, e.g. jeans, towels.	The "Extra Dry" program should not be selected for jersey materials. Items may shrink.
More Dry	For uniform loads, e.g. sheets, underwear, socks.	-
Normal	For knitted items that may shrink, e.g. jersey material or lightweight cottons.	If items are still damp, dry again using "More Dry".
Less Dry	For items to be left damp for ironing.	-
Hand Iron		If fabrics are too damp, dry again using "Less Dry".
Rotary Iron	For items to be ironed with a rotary iron.	To prevent moisture loss, roll up the laundry until ready to iron.
Wrinkle-free Available drying options: Turbo, Gentle, Anti-crease		
More Dry	For items that do not require ironing, e.g. pants and shirts.	-
Normal	For items to be hung after drying.	
Less Dry	For items which require ironing.	Reduce load size for fabrics that wrinkle easily.

Special Programs Available drying options: Anti-crease only available in Fluff, Sturdy		
Woolens	Delicate items which allow machine drying.	Take items out immediately after the end of the program while still slightly damp. Allow items to air dry.
Smooth	Program for reducing creasing in delicate items.	-
Sturdy	For mixed loads of durable items.	-
Fluff	Individual items to be freshened and fluffed with cool air.	Reduce load size.
TIMED CYCLES Available drying options: Gentle, Anti-crease		
20 min	Individual items or very small loads,	-
45 min	e.g. beach towels, swimsuits.	

Frequently asked questions

What if the dryer will not run?	
Possible fault	Solution
The "Start/Stop" button was not pressed.	Make sure the dryer is on. Press the "Start/ Stop" button to begin the drying program.
The circuit breaker tripped or the dryer is unplugged.	Make sure the dryer is plugged in or reset the circuit breaker.
The door is not closed.	Close the door properly.
How do I prevent static cling?	
Add fabric softener to laundry when washing or select the "Less Dry" setting on the dryer. Do not use fabric softener sheets in this dryer.	
What if the drum light does not come on?	
Possible fault	Solution
The bulb may be bad or burned out.	See "Changing the light bulb."
What if the "Child Lock" indicator flashes after turning the dryer on and a program cannot be started?	
Possible fault	Solution
The child lock is activated.	Deactivate the child lock. See "Child Lock."
What if the program stops, the "End/Anti-crease" indicator lights and the buzzer sounds?	
Possible fault	Solution
The drum is empty.	Load laundry into the dryer. The dryer will not operate when the drum is empty. Single items should be dried with "Sturdy" or a timed program and dry items in the "Fluff" program.

Frequently asked questions

What if the "Filter/Vent" fault indicator is lit?

Possible fault	Solution
The lint filter is clogged.	Clean the lint filters. See "Dryer care".
The air supply in the room is insufficient.	Open a window or door to increase airflow.

What if the program runs too long or stops?

Possible fault	Solution
The airflow is insufficient in the area of the dryer.	Open a window or door to increase airflow.
The lint filters are clogged.	Clean the lint filters (see "Dryer care").
The laundry was not spun sufficiently in the washer.	Select a higher spin speed in the wash program.
The dryer is overloaded.	Reduce the load size.
Metal zippers interfere with the dryer's moisture sensors.	Select a timed program to avoid over drying.
The condenser is clogged with lint or detergent residue.	Clean the condenser periodically (see "Dryer care").
The air vent below the door is blocked.	Remove any blockages.

What if the laundry is not dry enough?

Possible fault
The load contained too many dissimilar items (size and fabric.)

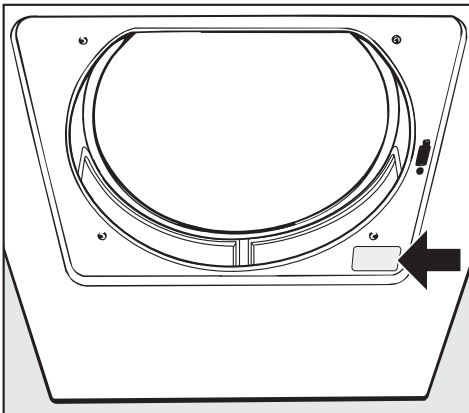
What if water has collected around the drum opening?

Possible fault
This is condensed moisture from the laundry.

Repairs

In the event of a fault which you cannot fix yourself, please contact Miele's Technical Service Dept.

When contacting Technical Service, please quote the model and serial number of your appliance. They can be found on the data plate located below the drum opening.



PC Update

The indicator on the control panel marked **PC** allows a technician to update the dryer with new technology.

For example, if new programs or fabrics are developed, a service technician will be able to modify the existing program cycles accordingly.

MieleCare

(only USA)

MieleCare, our Extended Service Contract program; gives you the assurance of knowing that your appliance investment is covered by 5 years of worry free ownership.

MieleCare is the only Extended Service Contract in the industry that guarantees repairs by a Miele Authorized Service Provider using genuine Miele parts. Only genuine Miele parts installed by factory trained professionals can guarantee the safety, reliability and longevity of your Miele appliance.

Please note that unless expressly approved in writing by the Miele Service department, Extended Service Contracts offered by other providers for Miele products will not be recognized by Miele. Our goal is to prevent unauthorized (and untrained) service personnel from working on your Miele products, possibly doing further damage to them, you and/or your home.

To learn more about **MieleCare** Extended Service Contracts, please contact your appliance dealer or visit us online at:

<http://store.miele.com>



Installation Instructions

To prevent accidents
and machine damage
read these instructions

before
installation or use.

IMPORTANT SAFETY INSTRUCTIONS

► Installation, repair and maintenance work should be performed by a Miele authorized service technician. Work by unqualified persons could be dangerous and could void the warranty. Be sure to observe local building codes.

► Before installation, disconnect the tumble dryer from the electrical supply by shutting off the power main, unplugging the power cord or tripping the circuit breaker. Do not restore power until the installation is complete.

► GROUNDING INSTRUCTIONS

This appliance must be grounded. In the event of malfunction or breakdown, grounding will reduce the risk of electric shock by providing a path of least resistance for electric current. This appliance is equipped with a cord having an equipment grounding conductor and a grounding plug. The plug must be plugged into an appropriate outlet that is properly installed and grounded in accordance with all local codes and ordinances.

► **WARNING** – Improper connection of the equipment grounding conductor can result in a risk of electric shock. Check with a qualified electrician or service representative or personnel if you are in doubt as to whether the appliance is properly grounded.

► Do not modify the plug provided with the appliance! If it will not fit the outlet, have a proper outlet installed by a qualified electrician.

► If there is any doubt concerning installation, contact Miele's Technical Service Department.

Disposal of the packing materials

The packing materials protect the appliance during shipping. They have been designed to be biodegradable and recyclable.

To prevent suffocation, ensure that any plastic wrappings, bags, etc. are disposed of safely and kept out of the reach of children.


Disposal of an appliance

Old appliances may contain materials that can be recycled. Please contact your local recycling authority about the possibility of recycling these materials.

Ensure that a discarded dryer presents no danger to children. When being stored for disposal remove the door to the drying compartment.

Washer / Dryer Stack

The tumble dryer can also be placed on top of a Miele washing machine for a stacked installation. An appropriate stacking kit is required. The stacking kit is available from your Miele dealer or the Miele Technical Service Department.

 Installation of the stacking kit must be performed by a Miele authorized technician.

Height of a stacked installation

5' 6 ³/₈" (168.6 cm)

(Stacking kit with a pull out shelf)

GROUNDING INSTRUCTIONS

This appliance must be grounded. In the event of malfunction or breakdown, grounding will reduce the risk of electric shock by providing a path of least resistance for electric current. This appliance is equipped with a cord having an equipment grounding conductor and a grounding plug. The plug must be plugged into an appropriate outlet that is properly installed and grounded in accordance with all local codes and ordinances.

WARNING – Improper connection of the equipment grounding conductor can result in a risk of electric shock. Check with a qualified electrician or service representative or personnel if you are in doubt as to whether the appliance is properly grounded.

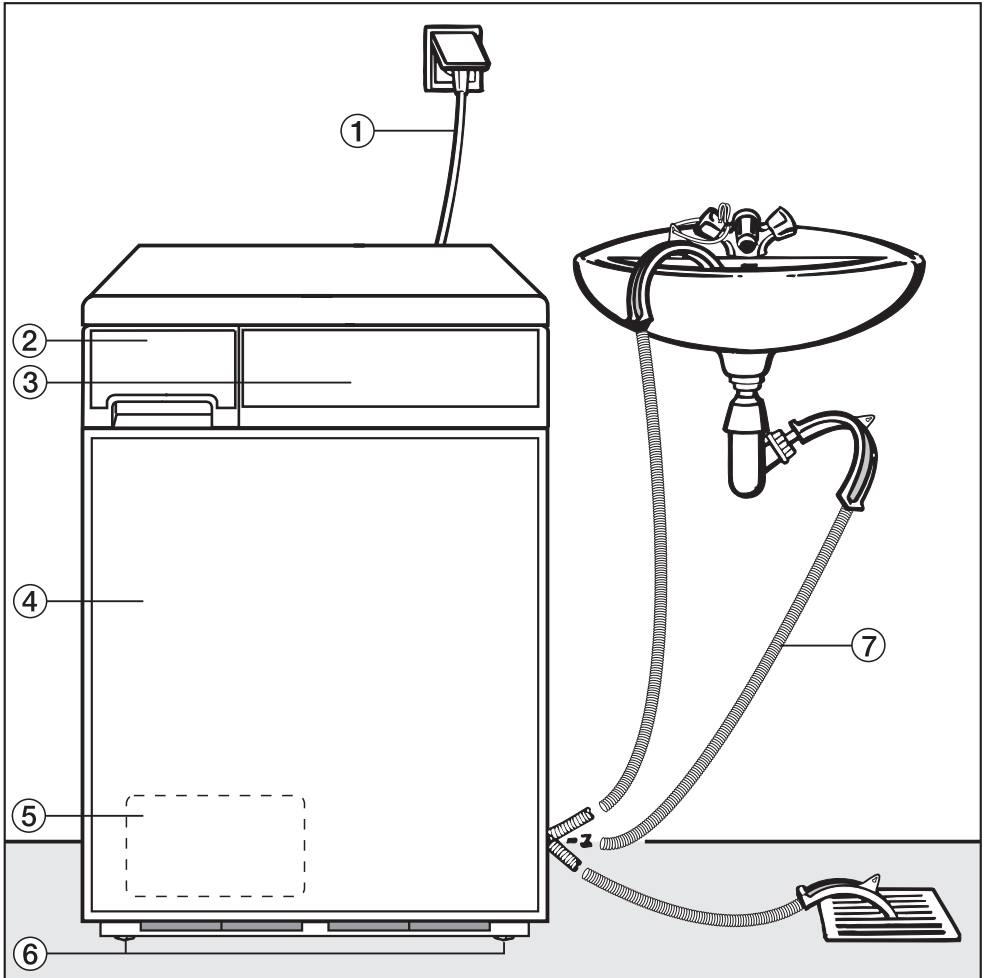
Do not modify the plug provided with the appliance! If it will not fit the outlet, have a proper outlet installed by a qualified electrician.

The dryer comes with a 5 ft long, 12/4 AWG cord and a NEMA 14-30 P plug.

It should be connected to a 120/208-240 V, 30 A, 60 Hz AC power supply. A 3 pole-4 wire grounding power outlet (NEMA type 14-30 R) is necessary.

Installation

Front view



① Power cord with plug

② Condensed water container

③ Control panel

④ Door (with decor option)


⑤ Access panel to condenser

⑥ Four height adjustable feet

⑦ Optional drain hose:

An alternative to using the condensed water container is to drain condensed water into a sink, standpipe or gully.

Installation site


 Do not install the dryer in an area where it can be blocked, e.g. behind a door.

Transporting the dryer to the installation site

The rear excess end of the lid has a handle box for transport.

- Use the front dryer feet and the rear excess end to transport the dryer from the packaging base to the installation site.

Installation beneath a counter

 When the machine lid needs to be removed to reduce the height of the machine, a **built under spacer kit*** is necessary.

It must be installed by a Miele Service Technician.

The cover plate of the built under kit replaces the appliance lid and ensures electrical safety.

An installation manual is supplied with the built-under spacer kit.

The electrical connection should be near the dryer and accessible at all times.

Extended machine feet* are recommended at a built-in height of more than $33 \frac{1}{16}$ " (840 mm).

- Set the extended machine feet on a height of $1 \frac{9}{16}$ " (40 mm).
Remove the original machine feet and replace them with the extended ones.

One or two filler frames* are recommended at a niche height of $34 \frac{1}{4}$ " / $34 \frac{13}{16}$ " to 36 " / $36 \frac{5}{8}$ " (870/885 - 915/930 mm).

* (optional accessory)

An existing continuous toe kick must be interrupted at the dryer location!

Reinstallation of the machine lid

When reinstalling the appliance lid, check the firm fit of the cover at the rear bracket for a safe transport of the dryer.

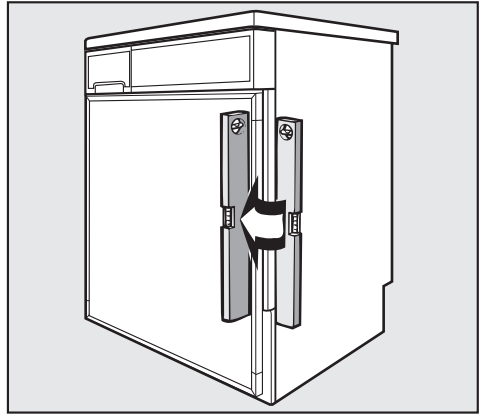
Installation

Installation tips

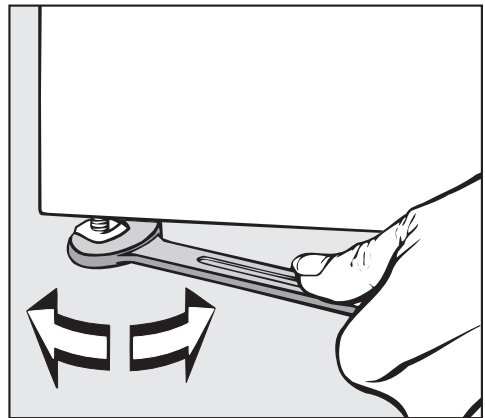
An airflow gap of $\frac{3}{8}$ " (10 mm) must be provided between the machine and the floor. This airflow gap must not be blocked by a toe kick or thick piled carpets.

Do not install the dryer next to a refrigerator. The warm air exhausting from the dryer will affect the thermostat of the refrigerator, causing it to run continuously.

Level the dryer



- The dryer must be level to ensure safe and proper operation.



- The machine can be leveled by turning the legs clockwise or counterclockwise as necessary.

Installing the decor panel

The door can be fitted with a customized door panel (optional accessory) to match the adjacent cabinets.

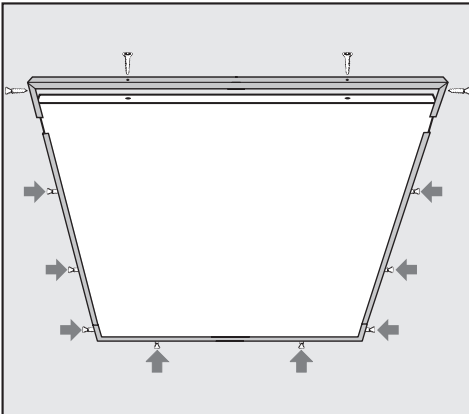
Decor panel measures

Width $23 \frac{1}{4}$ " (591 mm)

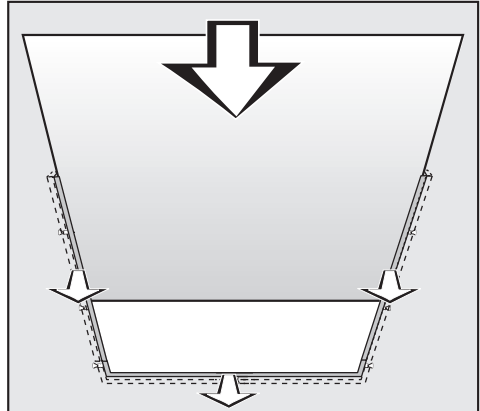
Height $23 \frac{3}{8}$ " (593 mm)

Thickness $\frac{1}{16}$ " - $\frac{3}{16}$ " (1.6 - 4.8 mm)

- Open the door.



- Unscrew the 4 screws at the top of the decor frame and pull it **forward**.
- Loose the screws at the other sides of the decor frame but do not take them out.

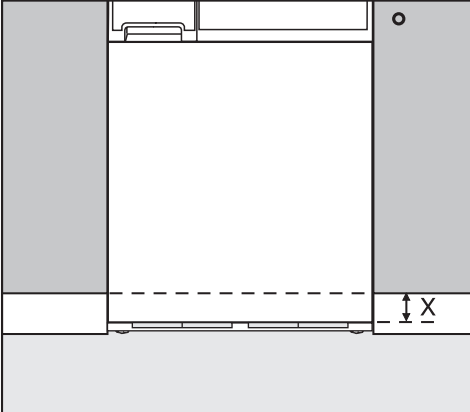


- A decor panel up to $\frac{3}{16}$ " thickness can be inserted if the frame sides are pushed forward.
- Insert the decor panel from above.
- Press the frame sides onto the panel und tighten the screws.
- Push the top of the decor frame onto the frame **from the front** and fix it with the four screws.

Installation

Shortening the door panel

The door panel can be shortened to match the height of the adjacent cabinetry.



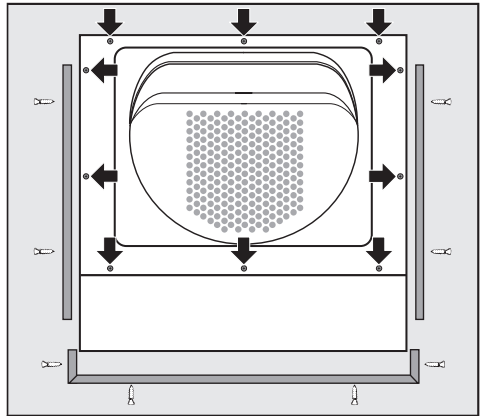
The measure **X** equals the space from the bottom of the washer door to the bottom of the adjacent cabinet.

Cut the bottom of the door panel with a jigsaw according to **X**.

Cut the side decor bars with a hacksaw.

Installation

- Open the door.



- To remove the door panel unscrew the 10 screws (arrows) from the door sheet panel.
- Remove the three decor bars from the door panel by unscrewing the screws.
- Cut the bottom of the **door panel** and the two **side decor bars** by **X**.
- Drill four holes into the door panel to fix the lower decor bar.
- Install the decor bars and the door panel.

To install a decor panel, check if it needs to be shortened.

External water drain

When drying is in progress, condensed water is pumped into the condensed water container through the drain hose at the back of the dryer.


The condensed water can be drained directly into a drain if the machine is installed near a sink or standpipe so that the condensed water container does not have to be emptied.

Drain hose length: . . . approx. 3 ft. (1 m)

Extension hose (accessory) . . 6 ft. (2 m)

Maximum Drain height: . . 4' 11" (1.5 m)

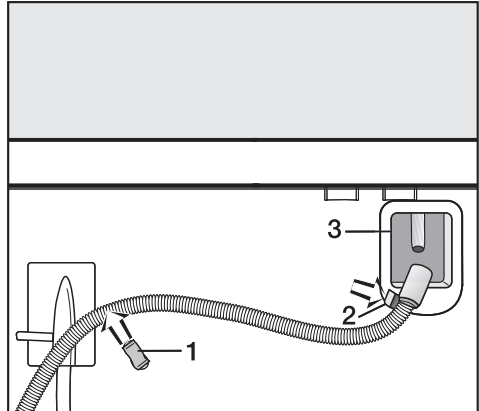
Maximum Drain length 13 ft. (4 m)

 Under special installation circumstances this dryer must be fitted with a non-return valve (accessory), see "Special Installation".

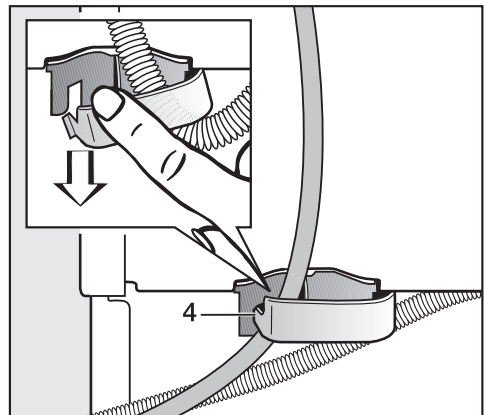
Max. drain height
with non-return valve: 3' 3" ft. (1 m)

Installing the drain hose

Do not pull or kink the drain hose, this could cause damage!



- Unclip the drain hose from the clamps **1** and **2**, and pull it off the holder, **3**.



- The lower clamps, **4**, can be opened to install the drain hose or to feed the power cable through.

Installation

Installing the drain hose (sink, gully)

- See illustration, front view.

⚠ If you want to drain the condensed water into a sink, secure the hose carefully, e.g. by tying the hose to the water faucet, to avoid water damage.

- Use the curved guide to prevent the drain hose from becoming kinked (see "Front view" illustration).

Special Installation

⚠ In special installation circumstances, the **non-return valve** must be installed. Water flowing back from the dryer can cause damage.

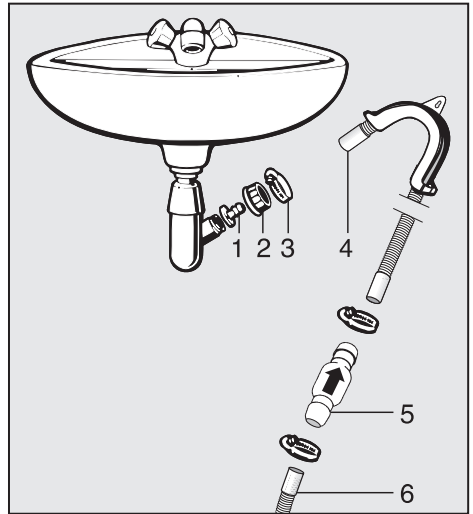
Special Installations are:

- Connection to a sink standpipe (see example)
- Miscellaneous connections where additional appliances like a washer or dishwasher are connected also.

Example: Connection to a standpipe

The drain hose can be connected to a special sink standpipe.

- Remove the adapter and the hose clamp from behind from the lower rear side of the dryer.



- 1 Adapter
- 2 Sink coupling nut
- 3 Hose clamp
- 4 Hose extension (Accessory)
- 5 Non-return valve (Accessory)
- 6 Dryer drain hose

- Fit the adapter, **1**, to the stand pipe using nut, **2**. If this nut is sealed with a flat disc, take the disc out.
- Attach the end of the hose to the adapter **1** and secure the hose clamp **3**.

⚠ The non-return valve **5** must be installed with the arrow pointing in the direction of the water flow (see illustration), otherwise it will not work properly.

- Install the non-return valve **5** at the dryer drain hose **6**, see illustration.
- Secure the non-return valve firmly with the hose clamp (accessory).

**Please have the model and serial number
of your appliance available before
contacting Technical Service.**

The Miele logo is displayed in a bold, white, sans-serif font against a solid black rectangular background.

**U.S.A.
Miele, Inc.**

National Headquarters

9 Independence Way
Princeton, NJ 08540
Phone: 800-843-7231
609-419-9898
Fax: 609-419-4298
www.miele.com

**Technical Service & Support
Nationwide**

Phone: 800-999-1360
Fax: 888-586-8056
TechnicalService@mieleusa.com

**Canada
Miele Limited**

Headquarters and Showroom

161 Four Valley Drive
Vaughan, ON L4K 4V8
Phone: 800-643-5381
905-660-9936
Fax: 905-532-2290
www.miele.ca
info@miele.ca (general enquiries)
professional@miele.ca (commercial enquiries)

MieleCare National Service

Phone: 800-565-6435
905-532-2272
Fax: 905-532-2292
service@miele.ca (technical enquiries)

Free Manuals Download Website

<http://myh66.com>

<http://usermanuals.us>

<http://www.somanuals.com>

<http://www.4manuals.cc>

<http://www.manual-lib.com>

<http://www.404manual.com>

<http://www.luxmanual.com>

<http://aubethermostatmanual.com>

Golf course search by state

<http://golfingnear.com>

Email search by domain

<http://emailbydomain.com>

Auto manuals search

<http://auto.somanuals.com>

TV manuals search

<http://tv.somanuals.com>