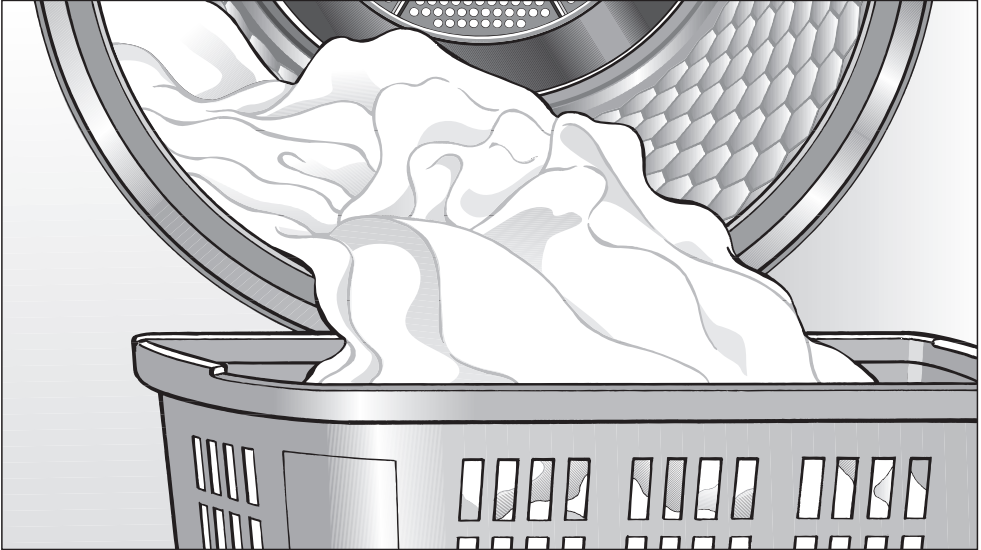


Operating instructions



for condenser tumble dryer T 8812 C Edition 111

To avoid the risk of accidents
or damage to the appliance
it is **essential** to read these
instructions before it is installed
and used for the first time.

en - GB

M.-Nr. 09 873 580

Caring for the environment

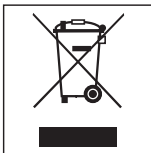
Disposal of the packing material

The transport and protective packing has been selected from materials which are environmentally friendly for disposal and should be recycled.

Ensure that any plastic wrappings, bags, etc are disposed of safely and kept out of the reach of babies and young children. Danger of suffocation.

Disposal of your old appliance

Electrical and electronic appliances often contain materials which, if handled or disposed of incorrectly could be potentially hazardous to human health and to the environment. They are, however, essential for the correct functioning of your appliance. Please do not therefore dispose it with your household waste.



Please dispose of it at your local community waste recycling centre or contact your dealer for advice. Ensure that it presents no danger to children while being stored for disposal.

Energy saving tips

To avoid unnecessarily long drying times and high consumption of energy:

- Make sure that your laundry is thoroughly spun before drying.

The higher the spin, the greater the savings that can be made in energy and time during drying.

- Load according to the optimum amount of laundry recommended for the programme being used (see Programme chart).

Underloading is uneconomical. Overloading gives a poorer quality of drying and may cause unnecessary creasing.

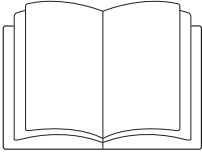
- Make sure the room in which the dryer is located is well ventilated.
- Make sure the fluff filters are clean before using the dryer.
- Check the condenser unit from time to time and clean it when necessary.

Caring for the environment	2
Warning and Safety instructions	5
Operating the tumble dryer	14
Control panel	14
Programmable functions	14
Drum lighting	14
Notes on laundry care	15
Garment care label symbols	15
Tips on drying	15
How to dry correctly	16
Brief instructions	16
Changing the programme sequence	18
Once a programme has started	18
- changing the programme.	18
- cancelling the programme and then selecting a different programme	18
- cancelling the programme and then removing the laundry	18
Adding or removing laundry after a programme has started	18
Programme chart	19
Cottons	19
Minimum iron	20
Automatic plus	20
Timed drying.	20
Woollens handcare.	20
Cleaning and care	21
Emptying the condensed water container	21
Cleaning the fluff filters	22
Cleaning them whilst dry	22
Cleaning them with water	23
Cleaning the tumble dryer	24
Cleaning the condenser unit	25
Removing the condenser unit.	25
Checking the condenser unit	26
Cleaning the condenser unit.	26
Replacing the condenser unit.	27

Contents

Problem solving guide	28
General problems	28
Check and fault messages	31
Changing the lamp	33
After Sales service	34
Repairs	34
Future updates (PC)	34
Appliance guarantee	34
Optional accessories	34
Installation	35
Front view	35
Rear view	36
Installation site	36
Transporting the tumble dryer to its installation site	36
Building under a continuous worktop / in a kitchen run	36
Levelling the tumble dryer	37
Room in which the dryer is located	37
Washer-dryer stack	37
Before moving the tumble dryer again (e.g. when moving house)	37
External condensed water outlet	38
Arranging the drain hose	38
External drainage via a sink or gully	39
Installation conditions requiring a non-return valve	39
Electrical connection	41
Electrical connection U.K.	41
Consumption data	42
Technical data	43
Programmable functions	45
Altering the residual moisture level in the Cottons programme	45
Altering the residual moisture level in the Minimum iron programme	46
Anti-crease	47
Activating and deactivating the buzzer	48
Altering the standard drying level in the Automatic plus programme	49
Extending the cooling down time	50
Standby	51

Warning and Safety instructions



► It is **essential** to read these instructions.

This tumble dryer complies with current safety requirements. Inappropriate use can, however, lead to personal injury and damage to property.

To avoid the risk of accidents and damage to the tumble dryer, please read these instructions carefully before using it for the first time. They contain important information on its safety, installation, use and maintenance.

Keep these instructions in a safe place and ensure that new users are familiar with the content. Pass them on to any future owner.

Correct application

► This tumble dryer is intended for use in domestic households and similar working and residential environments.

► The tumble dryer is not intended for outdoor use.

► It must only be used as a domestic appliance to dry items which have been washed in a water solution and which are marked on the manufacturer's care label as being suitable for tumble drying. If using dry cleaning kits, do so at your own risk, and follow the instructions provided on the packaging.

Any other usage is not supported by the manufacturer and could be dangerous. Miele cannot be held liable for damage resulting from incorrect or improper use or operation.

Warning and Safety instructions

▶ The tumble dryer can only be used by people with reduced physical, sensory or mental capabilities, or lack of experience or knowledge, if they are supervised whilst using it or have been shown how to use it in a safe way and recognise and understand the consequences of incorrect operation.

Safety with children

▶ Children under 8 years of age must be kept away from the tumble dryer unless they are constantly supervised.

▶ Children 8 years and older may only use the tumble dryer unsupervised if they have been shown how to do so in a safe way and recognise and understand the consequences of incorrect operation.

▶ Children must not be allowed to clean or maintain the tumble dryer unsupervised.

▶ Please supervise children in the vicinity of the tumble dryer and do not let them play with it.

Technical safety

▶ Before setting up the tumble dryer, check it for any externally visible damage.

Do not install or use a damaged tumble dryer.

▶ Before connecting the tumble dryer, ensure that the connection data on the data plate (fuse rating, voltage and frequency) match the mains electricity supply. If in any doubt, consult a qualified electrician.

▶ The electrical safety of this tumble dryer can only be guaranteed when correctly earthed. It is essential that this standard safety requirement is met. If in any doubt, please have the electrical installation tested by a qualified electrician. Miele cannot be held liable for the consequences of an inadequate earthing system (e.g. electric shock).

▶ Do not connect the tumble dryer to the mains electricity supply by an extension lead. Extension leads are a fire hazard and do not guarantee the required safety of the tumble dryer.

▶ If the electrical connection cable is faulty it must only be replaced by a Miele authorised service technician to protect the user from danger.

▶ Unauthorised repairs could result in unforeseen dangers for the user, for which Miele cannot accept liability. Repairs should only be undertaken by a Miele authorised service technician, otherwise any subsequent damage will not be covered by the guarantee. Ensure current is not supplied to the tumble dryer until after maintenance or repair work has been carried out.

Warning and Safety instructions

- ▶ Faulty components must only be replaced by genuine Miele original spare parts. Only when these parts are fitted can the safety standards of the tumble dryer be guaranteed.
- ▶ The tumble dryer must be isolated from the electricity supply in the event of a fault and during cleaning and maintenance.
- ▶ The tumble dryer must not be used in a non-stationary location (e.g. on a ship).
- ▶ Do not make any alterations to the tumble dryer, unless authorised to do so by Miele.
- ▶ In areas which may be subject to infestation by cockroaches or other vermin, pay particular attention to keeping the tumble dryer and its surroundings in a clean condition at all times. Any damage which may be caused by cockroaches or other vermin will not be covered by the guarantee.

Warning and Safety instructions

- ▶ Please observe the instructions in "Installation and connection" and "Technical data".
- ▶ The socket must be easily accessible after installation in order to disconnect the tumble dryer from the electricity supply.
- ▶ Do not block the gap between the base of the tumble dryer and the floor with plinth facings, deep pile carpet etc. as this would hinder a sufficient intake of air.
- ▶ Make sure the tumble dryer door can be opened without hindrance after installation.

Correct use

- ▶ The maximum load of dry laundry for this tumble dryer is 7 kg. See the Programme chart for the maximum recommended loads in individual programmes.
- ▶ Fire hazard.
The tumble dryer must not be connected to a controllable socket (e.g. a timer switch or a peak load shut-off device).
If the drying programme were to be interrupted before the end of the cooling down phase, the laundry could self-ignite.

Warning and Safety instructions

- ▶ To prevent the risk of fire, the following textiles must not be dried in this appliance:
- items which have not been washed.
 - items, such as workwear, which have not been thoroughly cleaned and which are still soiled with grease, oil or other deposits (such as cosmetics, lotions etc).
If items have not been thoroughly cleaned there is a danger that these might self-ignite when heated, even after they have been removed from the tumble dryer at the end of the programme.
 - items (e.g. mops and floor cloths) which have been treated with inflammable cleaning agents or which contain residues of acetone, alcohol, benzine, petrol, kerosene, stain remover, turpentine, wax, wax remover or other chemicals.
 - items which have been splashed with hair lacquer, hair spray, nail varnish remover or similar substances.

When washing such heavily soiled items, ensure that you use additional detergent and select a high temperature. If in doubt, wash the items several times.

- ▶ Remove all items such as lighters and matches from pockets.
- ▶ **Warning:** Do not switch the tumble dryer off before the drying programme has finished. If this is done, the laundry must be hung up or spread out to cool it down.
- ▶ Fabric conditioner and similar products must be used according to the instructions on the manufacturer's packaging.

Warning and Safety instructions

- ▶ To prevent the risk of fire, the following must not be tumble dried:
 - items which have been cleaned using chemicals (e.g. professional dry-cleaning agents).
 - fabrics which contain a large proportion of rubber, foam rubber or rubber-like materials. For example, products made from latex foam rubber, shower caps, waterproof textiles, rubberised articles and items of clothing and pillows with foam rubber filling.
 - damaged items which contain padding or fillings (e.g. pillows, jackets). When damaged, the filling can get out with the risk of igniting in the tumble dryer.

- ▶ In many programmes, the heating phase is followed by a cooling down phase to ensure that the items remain at a temperature which will not damage them and so that they are not too hot to handle when you remove them (this also avoids the danger of the laundry self-igniting). The programme is not finished until the cooling down phase has been completed.

As soon as the programme has finished, remove all laundry from the drum.

- ▶ Do not let anyone sit or lean on the door, as this can cause the tumble dryer to tip up.

- ▶ Always close the doors after use. This way you will avoid the danger of:
 - children climbing into the tumble dryer or hiding things in it.
 - pets or other small animals climbing into it.

Warning and Safety instructions

- ▶ The tumble dryer must not be used without the fluff filters in place or if the fluff filters are damaged in any way.
- ▶ The fluff filters must be cleaned regularly.
- ▶ The tumble dryer must not be used without the condenser unit in place.
- ▶ The fluff filters must be thoroughly dried after cleaning. Damp or wet filters could cause operational faults.
- ▶ Do not install the tumble dryer in a room where there is a risk of frost occurring. At temperatures around freezing point the tumble dryer may not be able to operate properly. There is a risk of damage if the condensed water is allowed to freeze in the pump and in the drain hose.
The ambient room temperature should be between +2°C and +35°C.
- ▶ If the water is drained externally instead of being collected in the condensed water container, make sure the drain hose is securely attached if you hang it in a sink or basin to avoid the hose slipping and the water causing damage.
- ▶ Condensed water is not drinking water.
It can cause health problems in both people and animals.
- ▶ Always keep the area around the tumble dryer free of dust and fluff. Dust and dirt drawn into the tumble dryer can cause blockages in the condenser unit over time.
- ▶ The tumble dryer must not be hosed down.


Accessories

▶ Only use genuine Miele original spare parts and accessories with this tumble dryer.

If non-Miele parts are used, guarantee, performance and product liability claims may be invalidated.

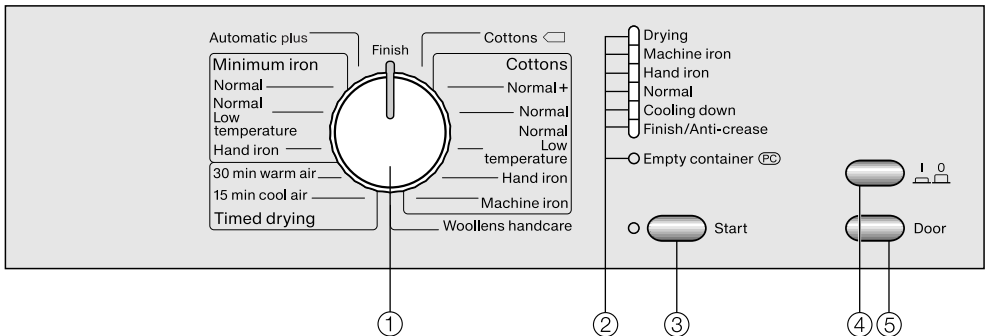
▶ A Miele tumble dryer can be stacked on top of a Miele washing machine using the appropriate stacking kit (available as an optional accessory). Please make sure you order the correct one for the Miele tumble dryer and Miele washing machine.

▶ If installing the tumble dryer on a Miele plinth, (available as an optional accessory), please make sure you order the correct one for this tumble dryer.

 Miele cannot be held liable for damage caused by non-compliance with these Warning and Safety instructions.

Operating the tumble dryer

Control panel



① Programme selector

For selecting the drying programme.

The programme selector can be turned clockwise or anti-clockwise.

② Programme sequence and check lights

③ Start button for starting a programme.

The *Start* indicator light will flash as soon as a programme can be started. It lights up constantly once the programme has started.

④ I/O button

For switching the dryer on and off.

The *Finish/Anti-crease* light will light up as confirmation that the dryer has been switched on.

⑤ Door button

For opening the door / cancelling a programme. Pressing this button will open the door even when the dryer is switched off at the mains.








Programmable functions

You can if you wish programme the dryer to suit your individual requirements. Programmable functions are explained at the end of these operating instructions.

Drum lighting

If the dryer is switched on at the mains and the door is opened, the drum lighting will come on. It will go out a few minutes later to save energy.

Garment care label symbols

Drying	
	Normal/higher temperature
	Reduced temperature: Select <i>Low temperature</i> (for delicate textiles)
	Do not tumble dry
Ironing	
	High
	Medium
	Low
	Do not iron

Tips on drying

- Loopknit garments (e.g. T-shirts and underwear) tend to shrink depending on their quality. Do not over-dry these items. When purchasing these garments it is advisable to take their shrinkage properties into account.
 - Minimum iron fabric tends to crease more, the larger the load. This is especially true of very fine weave fabric, such as shirts or blouses. Reduce the load or use the *Minimum iron - Hand iron* programme.
 - Starched laundry can be dried in the tumble dryer. To achieve the usual finish, double the amount of starch should be used.
 - New dark coloured garments should be washed and dried separately from light coloured garments to avoid the danger of colours running and discolouring other garments or even plastic components in the dryer. Dark coloured fibres can also settle on light coloured garments and vice versa.
- Overloading can cause unnecessary wear and tear to the laundry, give a disappointing drying result and cause more creasing.
- Do not put soaking wet items into the tumble dryer. Spin items for at least 30 seconds before drying.
 - Use the *Automatic plus* programme for drying mixed loads of cottons and minimum iron fabric.
 - Open jackets so that they can dry evenly.
 - Woollens and wool blends tend to become matted and shrink if dried in a tumble dryer. They can, however, be "fluffed up" using the *Woollens handcare* programme.

How to dry correctly


Brief instructions

The headings numbered (1, 2, 3 ...) show the operating sequence and can be used as a brief guide to using your dryer.

1 Sort the laundry

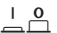
To ensure an even drying result separate the washed laundry and sort it according to:

- ... the drying level required
- ... the type of fibre or weave
- ... size
- ... the moisture content after spinning.

 Make sure that objects e.g. detergent dispensing balls have been removed from the laundry. They could melt, and cause damage to the dryer or the laundry.

- Check seams and stitching to ensure that padding and linings are intact.
- Fasten duvet covers and pillow cases to prevent small items from being trapped inside them.
- Fasten hooks and eyes etc.
- Tie fabric belts and apron strings.
- Sew in or remove underwiring from bras.

2 Turn on the tumble dryer

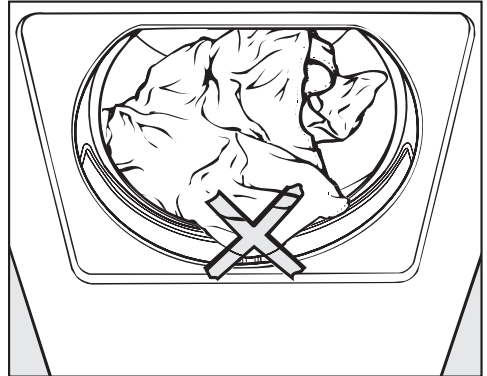
- Switch the dryer on by pressing the  button.

The tumble dryer may be switched on after loading, saving energy as the lighting will not come on.

3 Load the tumble dryer

- Press the *Door* button to open the door.
- Load the laundry loosely into the drum.

Do not overload the drum. See the "Programme chart" for recommended loads for each programme. Overloading can cause unnecessary wear and tear to the laundry and give a disappointing drying result.

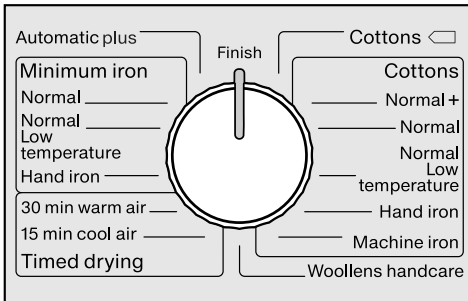


- Before closing the door make sure the fluff filter is correctly positioned.

Check the laundry is right inside the drum so that it cannot get trapped or damaged when the door is shut.

- Shut the door either with a gentle swing, or lean against it and push it shut.

4 Select a programme



- Turn the programme selector to the required programme.

Tip: You can alter the residual moisture or programme selection individually for some programmes (see "Programmable functions").

5 Start the programme

- Press the *Start* button.

The indicator light for the *Start* button will then change from flashing to being on constantly.

The drying cycle begins.

Before the end of a programme

There is a cooling down phase at the end of the drying sequence (the *Cool air* indicator light will come on). The programme will not finish until the cooling down phase has been completed.

There is no cooling down phase at the end of the *Woollens handcare* programme.

6 Remove the laundry at the end of the programme

The *Finish/Anti-crease* indicator light will come on.

After the programme has finished, the drum will continue to rotate at intervals in a special rhythm depending on the programme selected to prevent laundry creasing, if you do not wish to remove it immediately. There is no anti-crease phase on the *Woollens handcare* programme. The duration of the anti-crease phase can be altered; see "Programmable functions".

During the anti-crease phase...
... (depending on the programme selected) the indicator light for the drying stage reached will also light up.
... the buzzer will sound at intervals.

- Press the *Door* button.
- Open the door.
- Remove the laundry.

Check that all items have been removed from the drum. If items are left in the dryer, they could be damaged by overdrying when the dryer is next used.

- Press the $\frac{1}{0}$ button to switch the dryer off.
- Clean the fluff filters.
- Close the door.
- Empty the condensed water container (unless the dryer has been connected for external drainage).
- The condenser unit should be checked and cleaned on a regular basis (see "Cleaning and care").

Changing the programme sequence

Once a programme has started

- changing the programme

You cannot change to another programme once a programme has started (this prevents unintentional alterations).

If you try and change a programme the *Finish/Anti-crease* light will start flashing.

You will need to cancel the current programme before you can select a new one.

- cancelling the programme and then selecting a different programme


- Turn the programme selector to *Finish*.
- Press the *Door* button.
- Close the door.
- Select another programme and start it.

- cancelling the programme and then removing the laundry

- Proceed as described in "Adding or removing laundry after a programme has started" below.
- Switch the dryer off after closing the door.


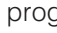

Adding or removing laundry after a programme has started

- Press the *Door* button.
- Open the door.

 Danger of burning:
Do not touch the back of the drum when adding or removing items. The drum and the items can get very hot.

- Add or remove items as required.
- Close the door.
- Press the *Start* button.

Programme chart


Cottons  **		Max. load 7 kg*
Use for	Cotton items such as those described under <i>Cottons Normal</i> with normal residual moisture levels.	
Notes	<ul style="list-style-type: none"> – Items are dried to a <i>Normal</i> level only. – The <i>Cottons</i>  programme is the most energy-efficient for drying cotton items with normal residual moisture levels. 	
Cottons		Max. load 7 kg*
Normal+, Normal		
Use for	Single and multi-layered cotton fabrics such as towelling, T-shirts, underwear, flannelette bed linen and baby clothes	
Low temperature		
Use for	All fabric with the  symbol on the care label and which are suitable for drying with the <i>Cottons</i> programme.	
Note	Delicate laundry is dried at a lower temperature.	
Hand iron, Machine iron		
Use for	Cotton or linen fabric, e.g. table linen, bed linen, starched laundry	
Note	To prevent laundry from drying out it should be rolled up until you are ready for ironing.	

* Weight of dry laundry

Note for test institutes:

- ** Test programme in accordance with regulation 392/2012/EU for the energy label, measured according to EN 61121
- When selecting the *Cottons* programme, drain the condensed water away through the drainage hose.

Programme chart

Minimum iron		Max. load 3 kg*
Normal, Hand iron		
Use for	Minimum iron cotton, synthetic and mixed fibre fabric, e.g. tops, dresses, trousers, skirts and table cloths.	
Note	With the <i>Hand iron</i> drying level, items are dried with very little creasing, depending on fabric type and amount of laundry.	
Low temperature		
Use for	All fabric with the  symbol on the care label and which are suitable for drying with the <i>Minimum iron</i> programme.	
Note	Delicate laundry is dried at a lower temperature.	
Automatic plus		Max. load 5 kg*
Use for	Mixed loads of garments suitable for the <i>Cottons</i> and <i>Minimum iron</i> programmes.	
Timed drying		Max. load 6 kg*
30 min warm air		
Use for	<ul style="list-style-type: none"> – Drying voluminous and multi-layered fabric whose layers have different drying characteristics, e.g. jackets, pillows. – For drying individual items, e.g. bath towels, swimwear, tea-towels. 	
15 min cool air		
Use for	Any item which only needs airing.	
Woollens handcare		Max. load 2 kg*
Use for	Woollen and woollen mix fabric.	
Notes	<ul style="list-style-type: none"> – This programme only fluffs up and refreshes woollen garments. They are not dried completely by this programme. – Remove garments as soon as the programme has finished and leave to finish drying at room temperature. 	

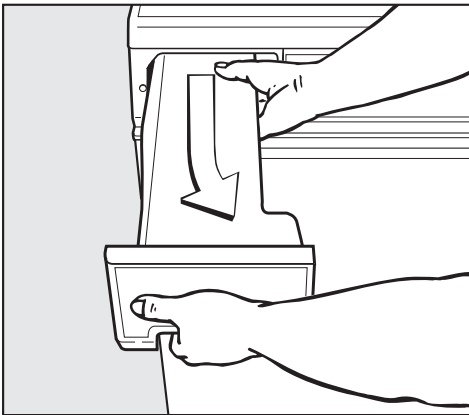
* Weight of dry laundry

Emptying the condensed water container

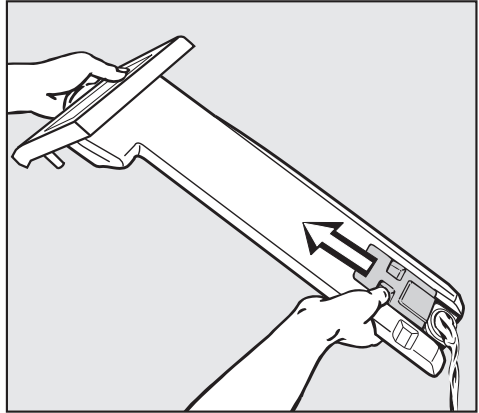
The condensed water will be collected in the condensed water container unless the dryer has been connected for external drainage (see "Installation").

Empty the condensed water container after every drying programme.

The *Empty container* indicator will light up if the maximum level of the condensed water container is reached. The indicator light will go out when the door is opened and closed again.



- Pull out the condensed water container.
- To prevent water running out, hold it at the front and towards the back and keep it in a horizontal position when carrying it.



- Empty the container.
- Replace the container in the dryer.

⚠ Condensed water should not be consumed. It could lead to health problems for people and animals.

Condensed water can be put to household use (e.g. in a steam iron or humidifier). To ensure that any residual particles of fluff in the condensed water are removed before use, pass it through a fine sieve or paper filter first.

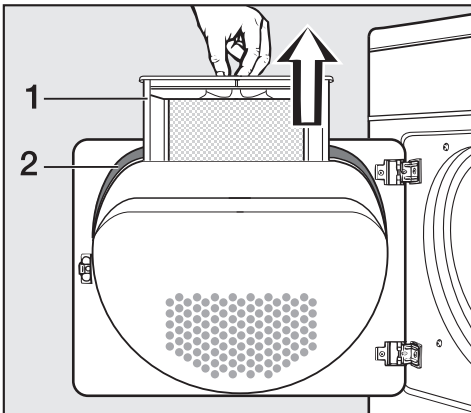
Cleaning and care

Cleaning the fluff filters

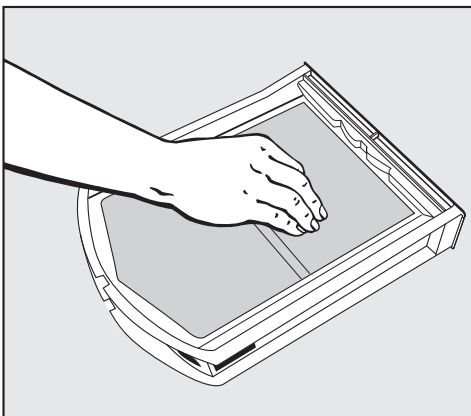
The fluff which is created by the drying process is collected by the fluff filters in the door and the door opening. Clean the filters after **each** drying programme.

Cleaning them whilst dry

Tip: You can also use a vacuum cleaner.

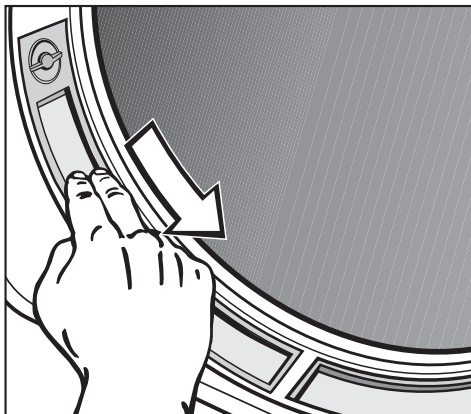


- Open the door and pull the fluff filter (1) out of the door as illustrated.



- Use your fingers to remove the fluff from the surface of the filter.

- Remove any fluff from the hollow part of the door holder. A cleaning brush is available as an optional extra from Miele or use a vacuum cleaner.
- Once clean, push the filter back into the door holder until it clicks into position. Ensure it is facing the correct way.
- Also clean the door seal (2) with a damp cloth.



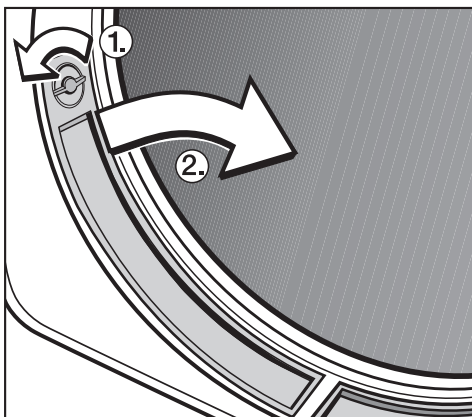
- Use your fingers to remove the fluff from the two fluff filters in the door opening.
- Close the door.

Cleaning them with water

If there is a great deal of compacted fluff on any of the filters, they can be removed and cleaned under hot running water.

- Open the door and pull the fluff filter out of the door as described previously.

The two filters in the door opening can also be removed if you need to clean them with water.



- Turn dial ① and pull the filter by the dial out of the door opening as shown ②. Do the same on the other side.
- Rinse all the filters under hot, running water.
- Then shake the filters until no more water droplets are visible.
- Dry the filters thoroughly with care.
- Clean the area underneath these filters, e.g. with a vacuum cleaner.

⚠ Do not replace them if they are damp or wet. Damp or wet filters could cause operational faults.

- Push the large filter back into the door holder until it clicks into position. Ensure it is facing the correct way.
- Replace the filters in the door opening by first inserting them at the bottom and then pressing them into place at the top.
- Lock both dials.

Cleaning and care

Cleaning the tumble dryer

Disconnect the tumble dryer from the mains electricity supply.

Miele branded cleaning and conditioning products are available to order via the internet on www.miele-shop.com.

- Clean the housing and control panel with a slightly damp cloth and a mild detergent or soapy water.
- The drum and other stainless steel parts can be cleaned with a suitable stainless steel cleaner following the manufacturer's instructions.

Do not use solvents, abrasive cleaners, glass cleaners or all-purpose cleaners. These could damage plastic surfaces and other parts.

- Dry all parts with a soft cloth.

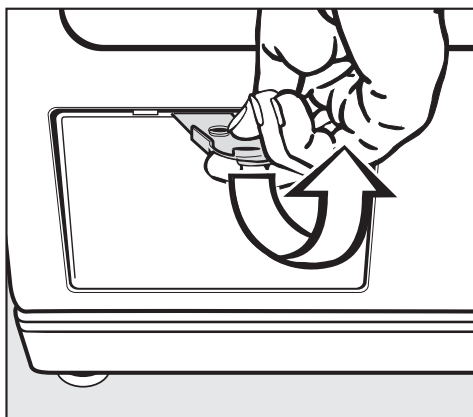
Cleaning the condenser unit

Detergent residue, hair and fine fluff from the dryer can get through the fluff filters and block the condenser unit.

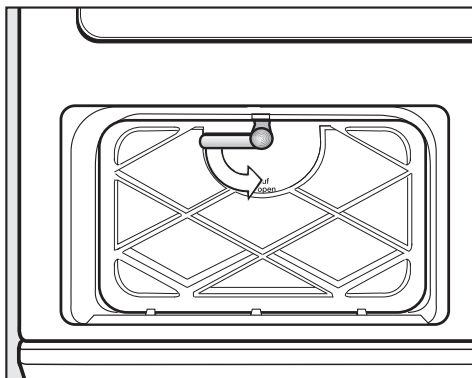
Dust from the room in which the dryer is installed can also get into the condenser unit and cause a blockage.

Check the condenser unit at least once a year. If the dryer is used frequently then clean the condenser unit on a regular basis.

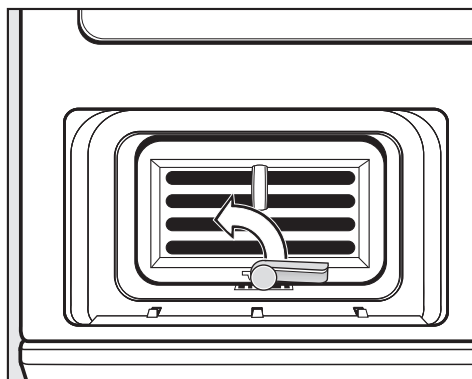
Removing the condenser unit



- Use the yellow lever supplied to open the service panel.
- Insert the lever into the middle of the gap at the top (see arrow)
- Now remove the panel by pulling it diagonally upwards. Then place it to one side.

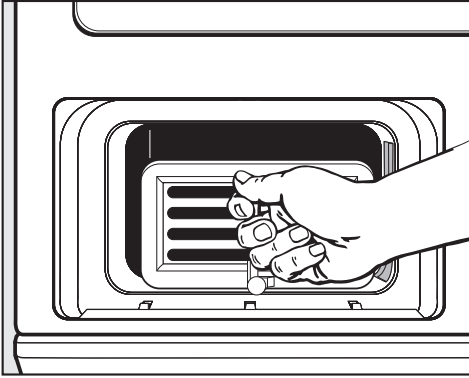


- Turn the lever on the inner cover downwards to the vertical position.
- Pull the cover forwards
- Then remove it by pulling it diagonally upwards.



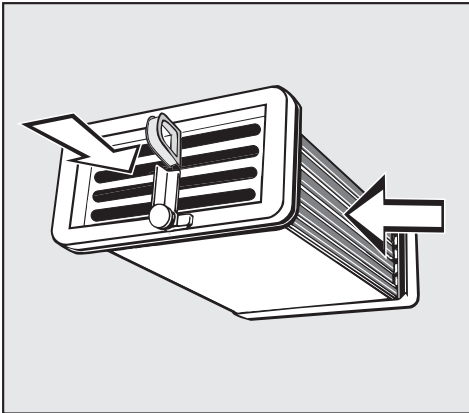
- Turn the lever on the condenser unit to the vertical position so that the hook on the lever is no longer in the groove at the bottom of the condenser unit housing.

Cleaning and care



- Pull the condenser unit out of its housing by the handle.

Checking the condenser unit



- Hold the condenser unit up to the light **as shown**.
- Check to see if there is any fluff inside it.
The arrows in the illustration above indicate where to look.

If you cannot see any fluff:

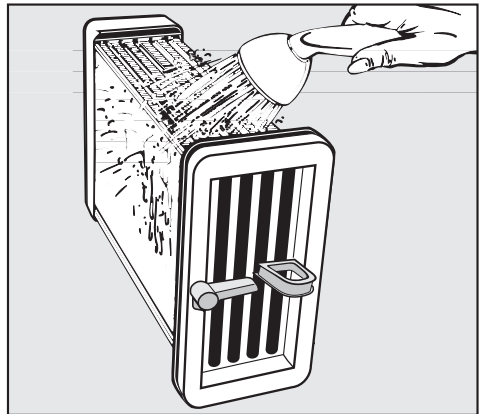
- Replace the condenser unit (see following page).

If you can see some fluff:

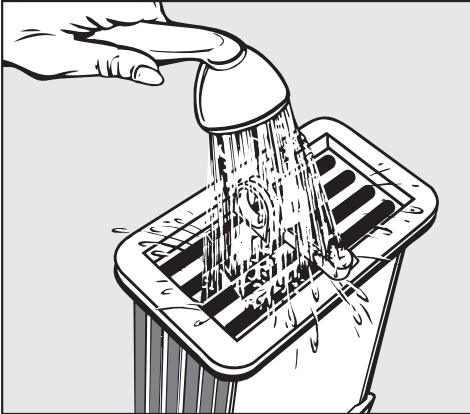
- Clean the condenser unit as described below.

Cleaning the condenser unit

- **When rinsing the condenser unit, make sure you position it as shown in the next two illustrations.**



- Use a shower head or similar to rinse the unit out **as shown**.



- Then flush the unit through from the front.
- Check the condenser unit again for any visible fluff and if necessary flush it through again until it has all gone.
- Repeat as required.
- Also make sure the rubber seals are clean.
The rubber seals must not be removed and must be free of kinks.
- Shake the water off the condenser unit until no more droplets of water are visible.

Checking and cleaning the condenser unit housing


- Remove any soiling still visible inside the housing unit by hand using a damp cloth. Do not try and access areas you cannot reach by hand!

Replacing the condenser unit

- **With the handle facing upwards,** push the condenser unit back into position in its housing.
- Turn the lever down to the horizontal position, making sure that the hook on the lever clicks into the groove.


When replacing the inner cover after cleaning, ensure that the rubber seal fits correctly into the groove.

- Replace the inner cover making sure the hooks locate correctly. Hold it at an angle and push it gently downwards.
- Then turn the lever upwards into the horizontal position to lock the cover.
- Replace the service panel and press the upper edge until it clicks into position.

 It is important to ensure that both the condenser unit and the cover are correctly positioned and locked, otherwise water may leak from the dryer.

Problem solving guide

With the help of the following notes minor faults in the performance of the appliance, some of which may result from incorrect operation, can be put right without contacting the Service Department.

 Repair work to electrical appliances should only be carried out by a suitably qualified person in strict accordance with current local and national safety regulations. Repairs and other work by unqualified persons could be dangerous. The manufacturer cannot be held liable for unauthorised work.

General problems

Problem	Possible cause	Remedy
The tumble dryer fails to start when switched on.	No obvious cause.	<ul style="list-style-type: none">– Have you followed the switch-on procedure correctly (see “How to dry correctly”)?– Is the plug correctly inserted in the socket and switched on?– Is the door closed properly?– Has the fuse or circuit breaker tripped?
Power cut.	Following a power cut, any previously started programme will resume automatically unless the cooling down phase has been reached.	
Items made of synthetic fibres are charged with static electricity after drying.	Synthetic fibre tends to attract static charge.	Static charge can be reduced by adding fabric conditioner to the final rinse in the washing machine or a fabric conditioner sheet to the load in the dryer.

Problem solving guide

Problem	Possible cause	Remedy
There is a build-up of fluff.	Fluff is principally the result of friction when garments are being worn and washed. Machine drying hardly causes any fluff to form and has been established by research institutes to have no appreciable effect on the lifetime of fabric.	Fluff is collected by the fluff filters and can be easily removed (see "Cleaning and care").
The laundry is not sufficiently dry.	The load consisted of different fabric.	<ul style="list-style-type: none"> – Finish drying using the Warm air programme. – Select a more suitable drying programme next time* (see "Programme chart").
Water leaks from the tumble dryer after the condenser unit has been cleaned.	<ul style="list-style-type: none"> – The inner cover of the condenser unit has not been locked properly and/or the condenser unit has not been positioned correctly. – Fluff has collected in the condenser unit housing. 	<ul style="list-style-type: none"> – Ensure that the condenser unit is positioned correctly and lock the inner cover. – Check the rubber seals. – Use a cloth to remove any visible fluff from the inside of the condenser unit housing.
The interior drum lighting does not come on.	The lighting switches off automatically (to save energy).	Switch the dryer off and then on again.
	The light needs changing.	Change the light as described at the end of this section.

*** You can alter the residual moisture levels for some programmes. See "Programmable functions" at the end of this booklet.**

Problem solving guide

Problem	Possible cause	Remedy
Drying is taking too long, or the programme has been cancelled	<p>The dryer is not working efficiently or economically*.</p> <p>The most likely cause is a build-up of fluff, hair or detergent residue on the fluff filters.</p>	<ul style="list-style-type: none"> – Remove any fluff, hair or residual detergent. – Rinse the filters if necessary and then dry them thoroughly before replacing them. – If not thoroughly dry faults will occur. – If the above measures do not remedy the problem follow the advice below.
	<p>Ventilation to and from the dryer may be insufficient (e.g because it is installed in a small room). This has caused the temperature in the room to rise sharply.</p>	<ul style="list-style-type: none"> – Open a door or window while the tumble dryer is in operation for increased air flow.
	<p>The vents below the door are blocked.</p>	<ul style="list-style-type: none"> – Remove any objects that are blocking the vents.
	<p>Detergent residue, hair and fine fibres can block the condenser unit.</p>	<ul style="list-style-type: none"> – Check the condenser unit from time to time and clean it if necessary (see "Cleaning and Care").
	<p>The laundry has not been spun sufficiently.</p>	<ul style="list-style-type: none"> – Make sure that your laundry is thoroughly spun at the appropriate spin speed.
	<p>The tumble dryer has been overloaded.</p>	<ul style="list-style-type: none"> – Do not exceed the maximum load for the programme selected.
	<p>Metallic components, e.g. zips have prevented the dryer from registering the correct moisture level in the laundry.</p>	<ul style="list-style-type: none"> – Open zips next time. – If the problem occurs again, dry garments with long zips using "Warm air" (timed drying).
<p>* Before attempting to remedy the problem:</p> <ul style="list-style-type: none"> – Open and close the door. – Switch the dryer off and then on again to start a programme. 		

Check and fault messages		
Problem	Possible cause	Remedy
The <i>Empty container</i> indicator light comes on.	The condensed water container is full or there is kink in the drain hose.	<ul style="list-style-type: none"> – Empty the condensed water container. – Check the drain hose. – The indicator light will go out if you open and close the door.
The programme stops and the <i>Machine iron</i> or <i>Hand iron</i> indicator light flashes. The buzzer sounds.	No obvious cause.	<ul style="list-style-type: none"> – Switch the dryer off and then on again. – Then start the programme again. <p>If the programme stops again and the indicator light flashes again there is a fault. Contact the Miele Service Department.</p>
The <i>Finish/Anti-crease</i> indicator light flashes while drying is in progress.	The programme selector was moved after the start of a programme. The programme continues to run as normal.	Turn the selector back to the original position and the indicator light will go out.
The programme stops and the <i>Finish/Anti-crease</i> indicator light comes on. The buzzer sounds.	<p>This is not a fault.</p> <p>The electronic unit has recognised that there is not enough laundry in the drum and cancelled the programme.</p> <p>Drying items which are already dry can also cause the programme to be cancelled.</p>	<p>Use the Warm air programme (timed drying) to dry individual items.</p> <p>Before changing a programme: Open and close the door.</p>
The <i>Cooling down</i> indicator light comes on. The buzzer sounds.	The dryer is not working efficiently or economically.	See the previous page under "Drying is taking too long ...".

Problem solving guide

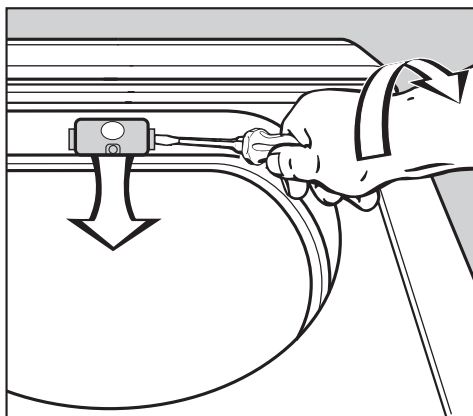
Problem	Possible cause	Remedy
The <i>Start</i> button indicator light flashes/does not flash.	The flashing indicates that a programme can be started.	After the programme has started, the flashing will change to a constant light.
The <i>Start</i> button indicator light is flashing slowly.	The dryer is in Standby mode. This is quite normal and not indicative of any fault.	See "Programmable functions".

Changing the lamp

Disconnect the tumble dryer from the mains electricity supply.

- Open the door.

You will find the interior light cover at the top of the drum aperture.



- Insert a suitable tool, such as a wide bladed screwdriver, under the side edge of the light cover as illustrated.
- Apply a little pressure and whilst doing so turn your wrist in the direction of the arrow to open the cover.

The cover will open downwards.

The temperature resistant lamp should only be ordered from your Miele Dealer or the Miele Spare Parts Department.

The light specification and maximum wattage is stated on the data plate and on the light cover.

- Turn the light anti-clockwise to remove.
- Replace the lamp.
- To close the cover push it upwards and press it on the left and right until you hear it click into position.

⚠ Ensure that it is fitted into position securely, as any moisture could cause a short circuit.

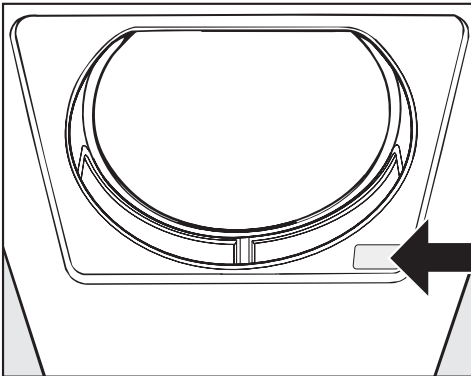
After Sales service

Repairs

In the event of any faults which you cannot remedy yourself, please contact

- your Miele dealer or
- the Miele Service Department (see back cover for contact details).

When contacting your dealer or the Service Department, please quote the model and serial number of your appliance, both of which are shown on the data plate. This is visible when you open the door.



N.B. A call-out charge will be applied for service visits where the problem could have been resolved as described in these instructions.

Future updates (PC)

The indicator or check light marked **PC** on the fascia panel is the interface used by the Miele service technicians during service work for testing purposes and for updating the appliance's programme data.

Appliance guarantee

In the U.K. your appliance is guaranteed for 2 years from the date of purchase. However you must activate your cover by calling 0845 365 6640 or registering online at www.miele.co.uk.

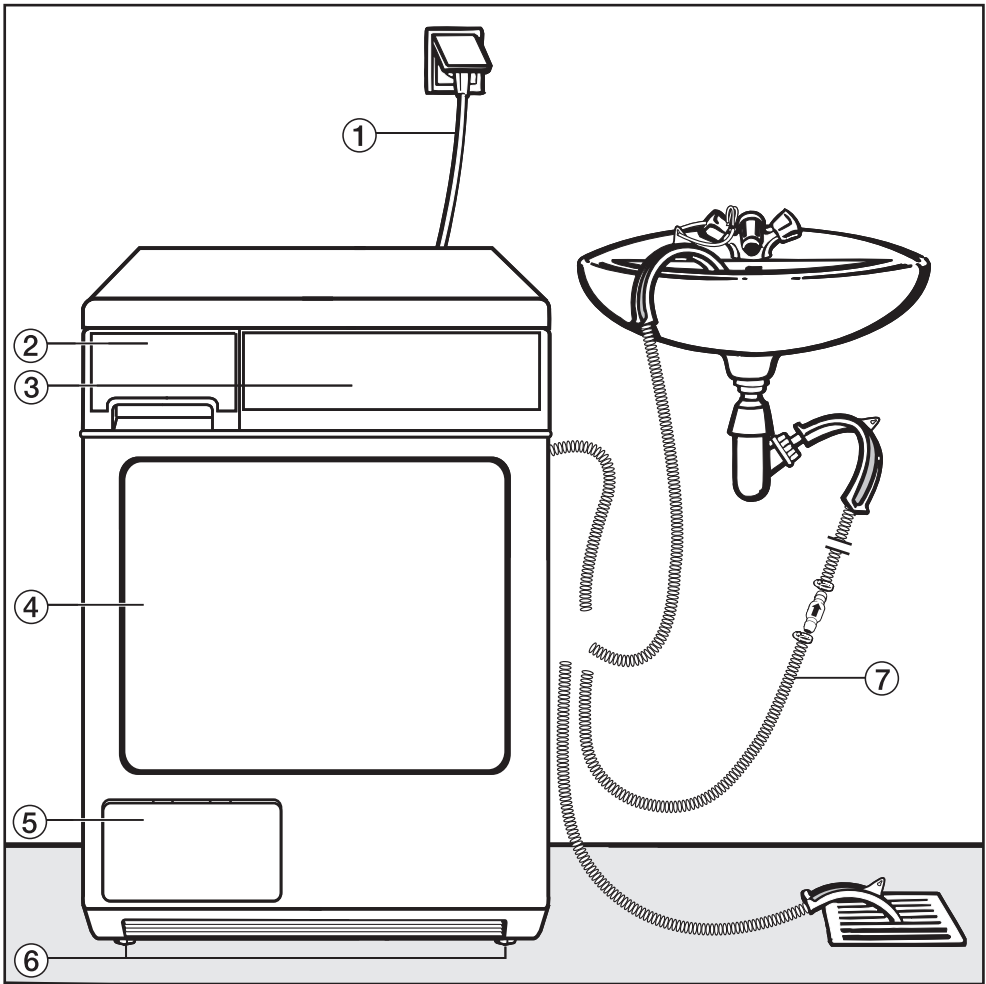
For information on the appliance guarantee specific to your country please contact Miele. See back cover for contact details.

Optional accessories

Optional accessories for this dryer are available from your Miele Dealer, the Miele Spare Parts Department or via the internet at www.miele-shop.com.

Please note that telephone calls may be monitored and recorded for training purposes.

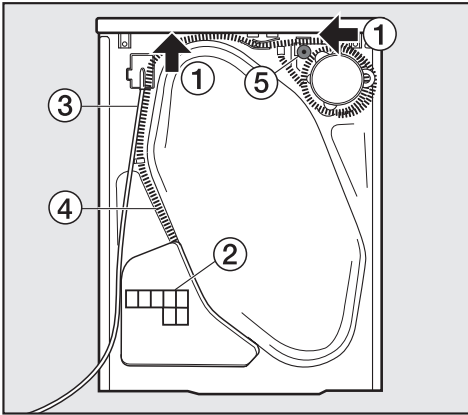
Front view



- ① Mains connection cable
- ② Condensed water container
- ③ Control panel
- ④ Door
- ⑤ Service panel for condenser unit
- ⑥ Four height-adjustable screw feet
- ⑦ External drainage options (e.g. via wash basin, wash basin drain outlet, or gully. See "External condensed water outlet").

Installation

Rear view



- ① Protruding lid for holding when moving the appliance (see arrows)
- ② Air inlet vent for cooling the condenser unit
- ③ Mains connection cable
- ④ External drainage of the condensed water
- ⑤ Accessories for connection to a sink drain outlet

Installation site

⚠ Make sure the dryer door can be opened without hindrance after installation.

Transporting the tumble dryer to its installation site

When moving the appliance, you can hold it by the lid where it protrudes to the rear of the dryer. To manoeuvre the dryer out of its packing case to its installation site hold it by the **front feet and at the back of the lid**. Do not lift the appliance by the drum door.

Building under a continuous worktop / in a kitchen run

⚠ A **building-under kit*** with a coverplate to replace the appliance lid is required. It must be fitted by a suitably qualified person to ensure electrical safety.

N.B. If you wish to push your appliance under a worktop and there is space to do this **without removing the lid** the building under kit is not necessary. Otherwise the building under kit is essential.

- The building-under kit is supplied with its own installation instructions.
- N.B. When built under drying times may be longer.
- The electrical socket must be located in an accessible position near the tumble dryer.

With niche heights of:

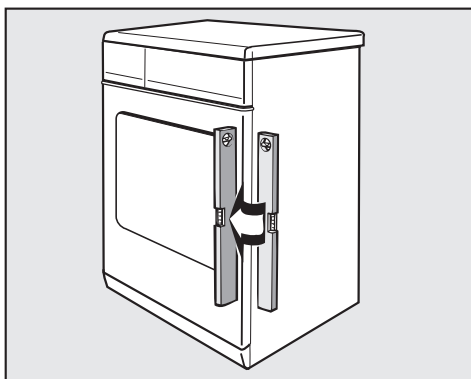
- 830-840 mm, longer screw feet* are required.
- 870-885 / 915-930 mm, one or two raising kits* are required.

* accessory available to order.

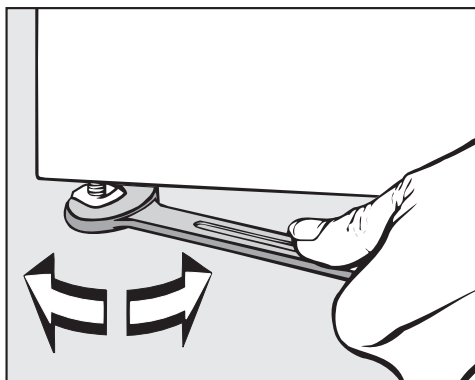
Replacing the lid

If the lid has been removed in order to fit a coverplate, ensure that, if the lid is ever replaced, it fits securely into the rear holders. Otherwise, it is not properly secure for transport.

Levelling the tumble dryer



The appliance must be perfectly level to ensure safe and proper operation.



- The screw feet can be adjusted to compensate for any unevenness in the floor.

⚠ The air inlet and outlet vents on the front of the tumble dryer must not be covered as this would prevent sufficient ventilation for cooling the condenser unit.

⚠ Do not block the gap between the bottom of the tumble dryer and the floor with plinth facings, deep pile carpet etc. This would hinder a sufficient flow of air to the dryer.

Room in which the dryer is located

Air taken in for the drying process will be warm when it is expelled from the front of the dryer. This expelled air heats up the air in the room. It is therefore very important to ensure that the room is adequately ventilated, particularly if the dryer is located in a small room. Otherwise drying durations may be longer.

Washer-dryer stack

The tumble dryer can also be combined with a Miele washing machine in a washer-dryer stack. The appropriate "WTV" stacking kit (available to order) to match your dryer is required.

⚠ Stacking kits must only be installed by a suitably qualified fitter.

Before moving the tumble dryer again (e.g. when moving house)

After each use a small quantity of condensed water will collect in the area around the pump. This water can run out if the tumble dryer is tipped up when it is being moved. It is a good idea to run the *Cool air* programme for approximately 1 minute before moving the tumble dryer. Any remaining condensed water will then be fed into the condensed water container or out through the drain hose.

Installation

External condensed water outlet

General notes

When drying is in progress, condensed water is pumped into the condensed water container through the drain hose at the back of the dryer. The condensed water can also be drained off directly if the tumble dryer is installed near a sink, drain outlet etc. so that the condensed water container does not have to be emptied.

Drain hose length 1.50 m
Maximum delivery head 1.50 m
Maximum drain hose length 4.00 m

⚠ If the on-site water drainage system is not fitted with a non-return valve or an appropriate air gap, one must be fitted to prevent the risk of back-flow. (See "Installation conditions requiring a non-return valve").

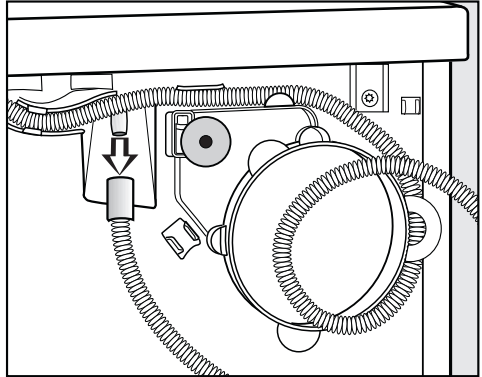
The following optional accessories are available:

- an extension hose
- a non-return valve kit for connection to an external condensed water outlet (includes an extension hose). Maximum delivery head with non-return valve fitted: 1.00 m

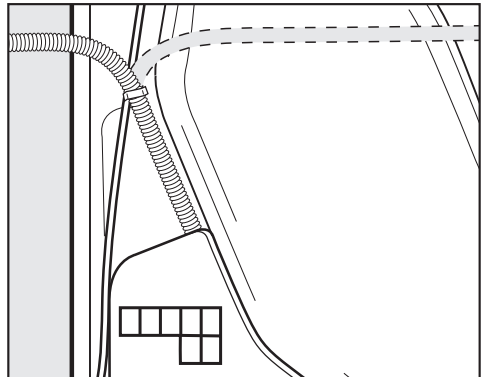
Arranging the drain hose

⚠ Do not pull on the drain hose and do not stretch it or allow it to become kinked as it could get damaged.

- There will be a small amount of residual water in the drain hose. Have a container ready to collect this.



- Pull the hose off its connection (see arrow).
- Allow any residual water to run into the container.
- Unwind the hose and pull it carefully out of the holders.




- Position the hose to the right or left hand side as necessary.

Leave the hose in the middle holder to prevent it from becoming kinked inadvertently.


External drainage via a sink or gully

- See "Front view" illustration.

 If you want to drain the water off into a sink you will need to secure the hose carefully, e.g. by tying it to a tap to make sure it cannot slip during use. Otherwise there is a risk of overflowing water which could cause damage.

- Use the bow-shaped guide to prevent the drain hose from becoming kinked.

Installation conditions requiring a non-return valve

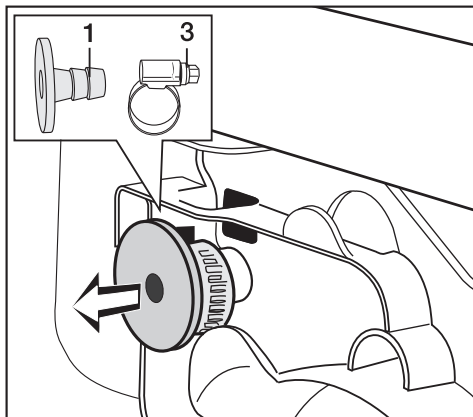
 Certain installation conditions require the fitting of a **non-return valve for external water connection** (available as an optional accessory). A non-return valve will prevent the risk of back-flow out of the dryer which could cause damage.

A non-return valve is required:

- If the tumble dryer is connected to a sink drain outlet (see the following section).
- If the tumble dryer is connected to a drainage system **already in use** by another appliance, e.g. a dishwasher or washing machine.

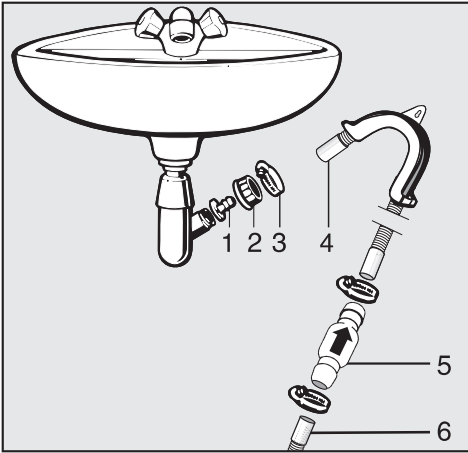
Example: Connection to a sink drain outlet

The drain hose with non-return valve fitted can be connected directly to a suitable sink drain outlet.



- Remove the following from the back of the dryer at the top:
Adapter **1** and hose clip **3** behind it.

Installation



- 1 Adapter
- 2 Nut
- 3 Hose clip
- 4 End of the hose
- 5 Non-return valve
- 6 Tumble dryer drain hose

- Fit adapter **1** to the sink drain outlet using nut **2**.

If this nut has a flat disc in it you should take the disc out first.

- Attach the end of hose **4** to adapter **1**.
- Use a screwdriver to tighten hose clip **3** up close to the nut.

⚠ Non-return valve **5** has to be fitted with the arrow pointing in the direction of flow (i.e. towards the sink). Otherwise water will not drain out of the appliance.

- Fit non-return valve **5** to tumble dryer drain hose **6** (make sure it is fitted in the correct direction - see arrow on non-return valve).
- Secure the non-return valve using hose clips.

Electrical connection U.K.

All electrical work should be carried out by a suitably qualified and competent person, in strict accordance with current national and local safety regulations (BS 7671 in the UK).

Ensure power is not supplied to the appliance until after installation work has been carried out.

The appliance is supplied with a mains cable with moulded plug ready for connection to a 230-240V mains supply. Please ensure the connection data quoted on the data plate match the household mains supply.

Connection should be made via a suitable switched socket which is easily accessible after installation.

For extra safety it is advisable to protect the appliance with a suitable residual current device (RCD). Contact a qualified electrician for advice.

Do not connect via an extension lead. Extension leads do not guarantee the required safety of the appliance (e.g. danger of overheating).


Non-rewireable plugs BS 1363

The fuse cover must be refitted when changing the fuse, and if the fuse cover is lost, the plug must not be used until a suitable replacement is obtained. The colour of the correct replacement cover is that of the coloured insert in the base of the plug, or the colour that is embossed in words on the base of the plug (as applicable to the design of plug fitted).

Replacement fuses should be ASTA approved to BS 1362 and have the correct rating. Replacement fuses and fuse covers may be purchased from your local electrical supplier.

**WARNING: THIS APPLIANCE
MUST BE EARTHED**

Consumption data

	Load ¹	Final spin speed in a domestic washing machine	Residual moisture	Energy	Duration
	kg	rpm	%	kWh	Minutes
Cottons  ²	7.0	1000	60	4.14	109
	3.5	1000	60	2.28	65
Cottons Normal	7.0	1200	53	3.75	100
	7.0	1400	50	3.55	95
	7.0	1600	44	3.15	86
	7.0	1800	43	3.10	84
Cottons Hand iron	7.0	1000	60	3.10	89
	7.0	1200	53	2.75	79
	7.0	1400	50	2.55	74
	7.0	1600	44	2.20	65
	7.0	1800	43	2.10	63
Minimum iron Normal	3.0	1200	40	1.40	45
Minimum iron Hand iron	3.0	1200	40	1.20	39
Automatic plus	5.0	800	50	2.70	114
Woollens handcare	2.0	1000	50	0.15	4

¹ Weight of dry laundry

² Test programme in accordance with Regulation 392/2012/EU for energy labelling measured in accordance with EN 61121.

All data was calculated using EN 61121 unless otherwise stated.

Power consumption when switched off 0,15 W

Power consumption when not switched off 3,50 W

Comparison tests

When selecting the *Cottons* programme, drain the condensed water away through the drainage hose. Before testing in accordance with EN 61121, dry a 3 kg load of cotton laundry with 70% residual moisture as per the above standard using the Cottons Normal programme.

Consumption data can vary from the nominal values given above depending on the size of the load, types of textiles, residual moisture levels after spinning and fluctuations in the electricity supply.

Technical data


Height	850 mm
Width	595 mm
Depth	587 mm
Depth with door open	1060 mm
Height for building under	820 mm
Width for building under	600 mm
Depth for building under	600 mm
Suitable for pushing under a worktop	Yes
Suitable for stacking	Yes
Weight	51 kg
Drum volume	111 litres
Maximum capacity	7 kg dry weight
Capacity of condensed water container	approx. 3.5 litres
Hose length	1.5 m
Maximum delivery head	1.5 m
Maximum drain hose length	4 m
Length of connection cable	2 m
Voltage	See data plate
Connected load	See data plate
Fuse rating	See data plate
Lamp wattage	See data plate
Energy consumption	see "Consumption data"
Test certificates awarded	See data plate

Programmable functions for changing default settings

The programmable functions are used to alter the tumble dryer's electronics to suit changing requirements. Programmable functions can be altered at any time.

Altering the residual moisture level in the Cottons programme

The tumble dryer is designed to dry effectively using as little energy as possible. However, if you require the laundry to be drier or damper, you can reduce or increase the default residual moisture in the Cottons programme.

Please note: The *Cottons*  programme will remain unchanged.

Follow the steps (1, 2, 3 ...) using the **Start** button and programme selector to programme and store in memory.

Before you begin, ensure that:

- The tumble dryer is switched off.
 - The door is closed.
 - The programme selector is at *Finish*.
- 1 Press the *Start* button and keep it pressed in whilst carrying out steps 2–3.
 - 2 Switch the dryer on.
 - 3 Wait until the *Start* indicator light lights up constantly . . .
 - 4 . . . and then release the *Start* button.

The *Cooling down* light will flash once.

The **flashing sequence of the *Drying* light** shows which option is currently selected.

- If the *Drying* light is not flashing: the **residual moisture level will be increased and laundry will be damper**.
 - If the *Drying* light flashes once: the **residual moisture level will remain on the Standard setting (factory default setting)**.
 - If the *Drying* light flashes twice: the **residual moisture level will be reduced and laundry will be drier**.
- 5 Pressing the *Start* button switches between the 3 options.
 - 6 Switch the dryer off.

The setting you have selected is now stored in memory. You can change it again at any time.

To check the setting:

- Carry out steps 1 to 4.
- Switch the dryer off after checking the setting as described above.

Programmable functions

Altering the residual moisture level in the Minimum iron programme


The tumble dryer is designed to dry effectively using as little energy as possible. However, if you require the laundry to be drier or damper, you can reduce or increase the default residual moisture in this programme.

Follow the steps (1, 2, 3 ...) using the *Start* button and programme selector to programme and store in memory.

Before you begin, ensure that:

- The tumble dryer is switched off.
- The door is closed.
- The programme selector is at *Finish*.

- 1 Press the *Start* button and keep it pressed in whilst carrying out steps 2-3.
- 2 Switch the dryer on.
- 3 Wait until the *Start* indicator light lights up constantly . . .
- 4 . . . and then release the *Start* button.

- 5 Turn the programme selector to Cottons  .

The *Cooling down* light will flash twice.

The **flashing sequence of the *Drying* light** shows which option is currently selected.

- If the *Drying* light is not flashing: the **residual moisture level will be increased and laundry will be damper**.
- If the *Drying* light flashes once: the **residual moisture level will remain on the Standard setting (factory default setting)**.
- If the *Drying* light flashes twice: the **residual moisture level will be reduced and laundry will be drier**.

- 6 Pressing the *Start* button switches between the 3 options.

- 7 Switch the dryer off.

The setting you have selected is now stored in memory. You can change it again at any time.

To check the setting:

- Carry out steps 1 to 5.
- Switch the dryer off after checking the setting as described above.

Anti-crease

If laundry is not removed as soon as the programme has finished, the drum will continue to rotate at intervals for two hours to prevent creasing.

The anti-crease function

- is activated when the tumble dryer is delivered. You can shorten the duration of the anti-crease phase or deactivate it if wished.
- is used in all programmes except *Woollens handcare*.
- should be left activated.

Follow the steps (1, 2, 3 ...) using the *Start* button and programme selector to programme and store in memory.

Before you begin, ensure that:

- The tumble dryer is switched off.
- The door is closed.
- The programme selector is at *Finish*.

- 1 Press the *Start* button and keep it pressed in whilst carrying out steps 2-3.
- 2 Switch the dryer on.
- 3 Wait until the *Start* indicator light lights up constantly . . .
- 4 . . . and then release the *Start* button.

- 5 Turn the programme selector to *Cottons Normal+*.

The *Cooling down* light will flash three times.

The **flashing sequence of the *Drying* light** shows which option is currently selected.

- If the *Drying* light is not flashing:
Anti-crease is deactivated
- If the *Drying* light flashes once:
Anti-crease will last for 1 hour
- If the *Drying* light flashes twice:
Anti-crease will last for 2 hours (factory default setting).

- 6 Pressing the *Start* button switches between the 3 options.
- 7 Switch the dryer off.

The setting you have selected is now stored in memory. You can change it again at any time.

To check the setting:

- Carry out steps 1 to 5.
- Switch the dryer off after checking the setting as described above.

Programmable functions

Activating and deactivating the buzzer

A buzzer sounds (at intervals for a maximum of 1 hour) to let you know the programme has finished.

The tumble dryer is delivered with the buzzer activated but you can deactivate it if wished.

If there is a fault, a continuous tone will sound even if the buzzer has been deactivated.

Follow the steps (1, 2, 3 ...) using the *Start* button and programme selector to programme and store in memory.

Before you begin, ensure that:

- The tumble dryer is switched off.
- The door is closed.
- The programme selector is at *Finish*.

- 1 Press the *Start* button and keep it pressed in whilst carrying out steps 2-3.
- 2 Switch the dryer on.
- 3 Wait until the *Start* indicator light lights up constantly . . .
- 4 . . . and then release the *Start* button.

- 5 Turn the programme selector to *Cottons Normal*.

The *Cooling down* light will flash four times.

The **flashing sequence of the *Drying lamp*** shows which option is currently selected.

- If the *Drying* light is not flashing:
the buzzer is deactivated
- If the *Drying* light is flashing:
the buzzer is activated (factory default setting).

- 6 Pressing the *Start* button switches between the 3 options.

- 7 Switch the dryer off.

The setting you have selected is now stored in memory. You can change it again at any time.

To check the setting:

- Carry out steps 1 to 5.
- Switch the dryer off after checking the setting as described above.

Altering the standard drying level in the Automatic plus programme

The drying level for this programme is set at a standard *Normal* level. You have the option of changing this to *Hand iron* (dampener than normal) or to *Normal +* (drier than normal).

Follow the steps (1, 2, 3 ...) using the **Start** button and programme selector to programme and store in memory.

Before you begin, ensure that:

- The tumble dryer is switched off.
- The door is closed.
- The programme selector is at *Finish*.

- 1 Press the **Start** button and keep it pressed in whilst carrying out steps 2–3.
- 2 Switch the dryer on.
- 3 Wait until the **Start** indicator light lights up constantly . . .
- 4 . . . and then release the **Start** button.

- 5 Turn the programme selector to *Cottons Hand iron*.

The *Cooling down* light will flash six times.

The **flashing sequence of the Drying light** shows which option is currently selected.

- If the Drying indicator light is not flashing:
the standard drying level is *Hand iron*
 - If the *Drying* light flashes once:
the standard drying level will remain at *Normal* (factory default setting).
 - If the *Drying* light flashes twice:
the standard drying level is *Normal+*.
- 6 Pressing the **Start** button switches between the 3 options.
 - 7 Switch the dryer off.

The setting you have selected is now stored in memory. You can change it again at any time.

To check the setting:

- Carry out steps 1 to 5.
- Switch the dryer off after checking the setting as described above.

Programmable functions

Extending the cooling down time

The cooling down phase which takes place before the end of a programme can be lengthened if required. This makes garments easier to handle.

The dryer is delivered with the extended cooling down time option deactivated. You can extend the cooling down time by 5 minutes or 10 minutes.

The option of extending the cooling down time is available with the *Cottons*, *Minimum iron* and *Automatic plus* programmes.

Follow the steps (1, 2, 3 ...) using the *Start* button and programme selector to programme and store in memory.

Before you begin, ensure that:

- The tumble dryer is switched off.
- The door is closed.
- The programme selector is at *Finish*.

- 1 Press the *Start* button and keep it pressed in whilst carrying out steps 2-3.
- 2 Switch the dryer on.
- 3 Wait until the *Start* indicator light lights up constantly . . .
- 4 . . . and then release the *Start* button.

- 5 Turn the programme selector to *Cottons Machine iron*.

The *Cooling down* light will flash seven times.

The **flashing sequence of the *Drying* light** shows which option is currently selected.

- If the *Drying* indicator light is not flashing: **the cooling down time is not extended (factory default setting).**
 - If the *Drying* light flashes once: **the cooling down time will be extended by five minutes.**
 - If the *Drying* light flashes twice: **the cooling down time will be extended by ten minutes.**
- 6 Pressing the *Start* button switches between the 3 options.

- 7 Switch the dryer off.

The setting you have selected is now stored in memory. You can change it again at any time.

To check the setting:

- Carry out steps 1 to 5.
- Switch the dryer off after checking the setting as described above.

Standby

To save energy, the programme sequence/check lights go out and the indicator light for the *Start* button starts flashing slowly.

To come out of standby mode

- Turn the programme selector or press the *Start* button. Neither will have any effect if a programme is running.

On

The standby function is activated and the programme sequence/check lights will go out after 10 minutes:

- if a programme is not selected after the dryer has been switched on.
- after a programme has started.

They will, however, come on for 10 minutes at the end of the programme or the end of the anti-crease phase. The buzzer (if selected) will sound for 10 minutes at the end of the programme.

Factory default. Not in current programme

As described under "On" above. However, they will stay on after the programme has started and remain visible during the programme.

Off

The programme sequence/check lights will stay on while the dryer is switched on.

Follow the steps (1,2,3 ...) to programme and store in memory.

- See next page.

Programmable functions

Before you begin, ensure that:

- The tumble dryer is switched off.
- The door is closed.
- The programme selector is at *Finish*.

❶ Press the *Start* button and keep it pressed in whilst carrying out steps

❷–❸.

❷ Switch the dryer on.

❸ Wait until the *Start* indicator light lights up constantly . . .

❹ . . . and then release the *Start* button.

❺ Turn the programme selector to *Woolens handcare*.

The *Cooling down* light will flash eight times.

The **flashing sequence of the *Drying light*** shows which option is currently selected.

– If the *Drying* light is not flashing: **On** has been selected.

– If the *Drying* light flashes once: **Factory default. Not in current programme** has been selected.

– If the *Drying* light flashes twice: **Off** has been selected.

❻ Pressing the *Start* button switches between the 3 options.

❼ Switch the dryer off.

The setting you have selected is now stored in memory. You can change it again at any time.

To check the setting:

■ Carry out steps ❶ to ❺.

■ Switch the dryer off after checking the setting as described above.

United Kingdom

Miele Co. Ltd.
Fairacres, Marcham Road
Abingdon, Oxon, OX14 1TW
Tel: 0845 365 0555
Customer Contact Centre Tel: 0845 365 6600
E-mail: info@miele.co.uk
Internet: www.miele.co.uk

Australia

Miele Australia Pty. Ltd.
ABN 96 005 635 398
1 Gilbert Park Drive, Knoxfield, VIC 3180
Tel: 1300 464 353, Fax: (03) 9764 7149
Internet: www.miele.com.au

China

Miele (Shanghai) Trading Ltd.
1-3 Floor, No. 82 Shi Men Yi Road
Jing' an District
200040 Shanghai, PRC
Tel: +86 21 6157 3500, Fax: +86 21 6157 3511
E-mail: info@miele.cn, Internet: www.miele.cn

Miele (Hong Kong) Limited

41/F - 4101, Manhattan Place
23 Wang Tai Road
Kowloon Bay, Hong Kong
Tel: (852) 2610 1331, Fax: (852)2610 1013
Email: mielehk@miele.com.hk

India

Miele India Pvt. Ltd.
Ground Floor, Copia Corporate Suites
Plot No. 9, Jasola
New Delhi - 110025
Tel: 011-46 900 000, Fax: 011-46 900 001
E-mail: customercare@miele.in, Internet: www.miele.in

Ireland

Miele Ireland Ltd.
2024 Bianconi Avenue
Citywest Business Campus, Dublin 24
Tel: (01) 461 07 10, Fax: (01) 461 07 97
E-Mail: info@miele.ie, Internet: www.miele.ie

Manufacturer: Miele & Cie. KG

Carl-Miele-Straße 29, 33332 Gütersloh, Germany

Miele

Malaysia

Miele Sdn Bhd
Suite 12-2, Level 12
Menara Sapura Kencana Petroleum
Solaris Dutamas No. 1, Jalan Dutamas 1
50480 Kuala Lumpur, Malaysia
Phone: +603-6209-0288
Fax: +603-6205-3768

New Zealand

Miele New Zealand Limited
8 College Hill
Freemans Bay, Auckland 1011, NZ
Tel: 0800 464 353, Fax: +64 9378 0146
Internet: www.miele.co.nz

Singapore

Miele Southeast Asia
Miele Pte. Ltd.
163 Penang Road
04 - 02/03 Winsland House II
Singapore 238463
Tel: +65 6735 1191, Fax: +65 6735 1161
E-Mail: infosea@miele.com.sg
Internet: www.miele.sg

South Africa

Miele (Pty) Ltd
63 Peter Place, Bryanston 2194
P.O. Box 69434, Bryanston 2021
Tel: (011) 875 9000, Fax: (011) 875 9035
E-mail: info@miele.co.za
Internet: www.miele.co.za

United Arab Emirates

Miele Appliances Ltd.
P.O. Box 11 47 82
Gold & Diamond Park
Sheikh Zayed Road
Building 6 / Offices Nos. 6-214 to 6-220
Dubai
Tel: +971-4-341 84 44
Fax: +971-4-341 88 52
E-Mail: info@miele.ae
Internet: www.miele.ae



Free Manuals Download Website

<http://myh66.com>

<http://usermanuals.us>

<http://www.somanuals.com>

<http://www.4manuals.cc>

<http://www.manual-lib.com>

<http://www.404manual.com>

<http://www.luxmanual.com>

<http://aubethermostatmanual.com>

Golf course search by state

<http://golfingnear.com>

Email search by domain

<http://emailbydomain.com>

Auto manuals search

<http://auto.somanuals.com>

TV manuals search

<http://tv.somanuals.com>