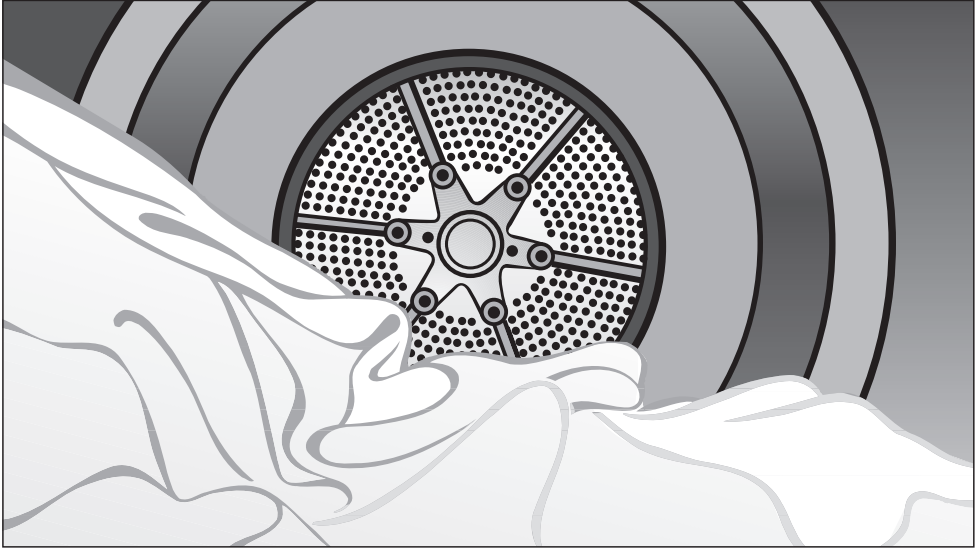


# Miele

TOUCHTRONIC



## Operating and Installation Instructions Gas Dryer T 9820

To prevent accidents  
and machine damage  
read these instructions

**before**

installation or use.

en - US, CA

M.-Nr. 06 640 602



 **WARNING**

**For your safety the information in this manual must be followed to minimize the risk of fire or explosion or to prevent property damage, personal injury or death.**

- **Do not store or use gasoline or other flammable vapors and liquids in the vicinity of this or any other appliance.**
- **WHAT TO DO IF YOU SMELL GAS**
  - **Do not try to light any appliance.**
  - **Do not touch any electrical switch.**
  - **Do not use any phone in your building.**
  - **Clear the room, building or area of all occupants.**
  - **Immediately call your gas supplier from a neighbor's phone. Follow the gas supplier's instructions.**
  - **If you cannot reach your gas supplier, call the fire department.**
- **Installation and service must be performed by a qualified installer, service agency or the gas supplier.**  
**(In Massachusetts a licensed plumber / gas fitter)**

# Contents


---

<b>IMPORTANT SAFETY INSTRUCTIONS</b> . . . . .	6
<b>Control panel</b> . . . . .	9
<b>First use</b> . . . . .	10
<b>Before loading the dryer</b> . . . . .	11
Fabric care labels . . . . .	11
Drying tips . . . . .	11
<b>Use</b> . . . . .	12
1. Sort the laundry . . . . .	12
2. Load the laundry . . . . .	12
3. Select a program . . . . .	14
4. Select an option . . . . .	15
5. Start the program . . . . .	16
6. Program end - Unload the laundry . . . . .	17
Changing a running program . . . . .	17
To cancel a program . . . . .	17
Adding/removing laundry during a drying program . . . . .	17
<b>Program guide</b> . . . . .	18
<b>Frequently asked questions</b> . . . . .	20
General problems . . . . .	20
Fault indicators . . . . .	22
<b>After sales service</b> . . . . .	24
<b>User Maintenance Instructions</b> . . . . .	25
<b>Dryer Care</b> . . . . .	26
Cleaning the lint filter . . . . .	26
<b>Quick Guide</b> . . . . .	27
<b>Dryer Care</b> . . . . .	27
Cleaning the exterior and the control panel . . . . .	27
Changing the light bulb . . . . .	28
<b>Installation instructions</b> . . . . .	29

<b>IMPORTANT SAFETY INSTRUCTIONS</b> . . . . .	30
<b>Installation</b> . . . . .	32
Stand . . . . .	32
<b>Installation site</b> . . . . .	34
<b>Installation</b> . . . . .	36
Transporting the dryer to the installation site. . . . .	36
Level the dryer . . . . .	36
<b>Electrical connection</b> . . . . .	38
<b>Gas connection</b> . . . . .	39
<b>Ducting</b> . . . . .	43
How to calculate the effective duct length . . . . .	44
Exhaust connection with a flexible exhaust hose or rigid pipe . . . . .	47
Direct wall connection . . . . .	49
<b>Caring for the environment</b> . . . . .	50

# IMPORTANT SAFETY INSTRUCTIONS

---

 **WARNING** - To reduce the risk of fire, electric shock or injury to persons when using your appliance follow basic precautions, including the following:

**The gas dryer T9820 is only approved for use in the USA and Canada. It is not approved for use in Mexico.**

**This dryer is intended for residential use only!**

- ▶ Read all instructions before using the appliance.
- ▶ Do not dry articles that have been previously cleaned, washed, soaked or spotted with gasoline, dry-cleaning solvents or other flammable or explosive substances. They may give off vapors that could ignite or explode.
- ▶ Do not allow children to play on or in the appliance. Close supervision is necessary when the appliance is used near children.
- ▶ Always close the door after use to prevent child or pet hazards.
- ▶ Before this appliance is removed for service or discarded, remove the door to the drying compartment.
- ▶ Do not reach into the dryer if the drum is moving.
- ▶ Do not install or store the appliance where it will be exposed to the weather.
- ▶ Do not lean on the door. The dryer may tip over.
- ▶ Do not tamper with the controls.
- ▶ Do not repair or replace any part of the appliance or attempt any servicing unless specifically recommended in these Operating instructions. Repairs to appliances should only be performed by qualified personnel. Incorrectly repaired machines may pose a considerable risk to the user.
- ▶ Do not use fabric softeners or products to eliminate static unless recommended by the manufacturer of the fabric softener or product.
- ▶ Do not use heat to dry articles containing foam rubber or similarly textured rubber-like materials, or items containing hair spray, nail polish remover or similar substances, wax or chemicals from buffing.
- ▶ Clean the lint filter before or after each load.

# IMPORTANT SAFETY INSTRUCTIONS

- ▶ Items with damaged fillings (e.g. pillows or jackets) should not be dried in the dryer. The filling can cause a fire.
- ▶ Keep the area around the air intake (toekick) and adjacent surrounding areas free from lint, dust and dirt.
- ▶ The interior of the machine and exhaust duct should be cleaned periodically by qualified personnel.
- ▶ Do not place items exposed to oils in your dryer. Items contaminated with oils may contribute to a chemical reaction that could cause the laundry to catch fire.
- ▶ **Danger of suffocation or toxication** Adequate ventilation is essential, especially when another appliance which also uses the room air (e.g. gas, oil or coal fired heater, continuous flow or other water heater) is installed in the same or an adjacent room. Allow sufficient room ventilation by unlockable ventilation openings in the wall. Check with your building inspector for a riskless use to avoid a low pressure of 4 Pa or more.
- ▶ The dryer must only run if the moist exhaust air is conducted outside by an installed exhaust duct vent. Provide sufficient venting in the room where the dryer is installed, e.g. by opening a window.
- ▶ This dryer must not be used without an exhaust hose, lint filter or a damaged lint filter.
- ▶ **GROUNDING INSTRUCTIONS**  
This appliance must be grounded. In the event of malfunction or breakdown, grounding will reduce the risk of electric shock by providing a path of least resistance for electric current. This appliance is equipped with a cord having an equipment-grounding conductor and a grounding plug. The plug must be plugged into an appropriate outlet that is properly installed and grounded in accordance with all local codes and ordinances.
- ▶ Do not install or use a dryer with visible damage.
- ▶ Proper installation is the responsibility of the installer.
- ▶ **WARNING** – Improper connection of the equipment grounding conductor can result in the risk of electric shock. Contact a qualified electrician if you are in doubt as to whether the appliance is properly grounded.
- ▶ Do not modify the plug provided with the appliance; if it will not fit the outlet, have a proper outlet installed by a qualified electrician.

# IMPORTANT SAFETY INSTRUCTIONS

---

- ▶ Product failure due to improper installation is not covered under the Warranty.
- ▶ Gas dryers are not approved for mobile home installation.
- ▶ Check regularly on the exhaust parts (e.g. wall vent duct, louvered wall vent, bends, etc.) if enough air gets through. Lint can collect and block the air flow. If an exhaust hose is already installed, it should be checked before connected to the dryer.
- ▶ Faulty components must only be replaced with original Miele spare parts.
- ▶ If the power cord is damaged it must only be replaced by a Miele Service technician with a genuine Miele power cord.

## Using accessories

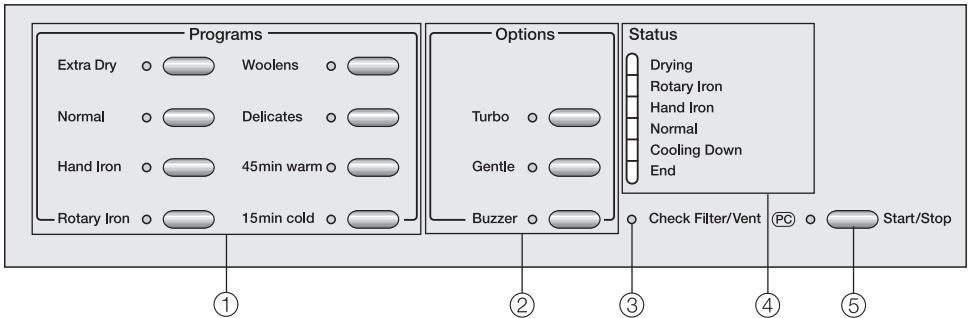
- ▶ Only use genuine Miele accessories. If unapproved parts are used, guarantee, performance and product liability claims may become void.

## KEEP THESE INSTRUCTIONS FOR FUTURE REFERENCE

In case of change of ownership, this manual should stay with the dryer.



# Control panel



## ① Program buttons

To select a drying program

## ② Options buttons

Special features to enhance a drying program

## ③ Check Filter/Vent indicator

Indicates to clean the filter or vent

## ④ Status indicator

Shows the current cycle of the drying program

## ⑤ Start/Stop button

Starts and stops a program, or if pressed and held in cancels a program.

Flashes during program selection and lights continuously once the program starts.

## First use

---

Metal components of the dryer's gas burner have a protective coating which may give off a slight odor the first time the appliance is turned on.

The smell will dissipate after a short time and does not indicate a faulty connection or appliance defect.

Clean the drum interior before the first use.

### Fabric care labels

Before drying, check fabric care labels for special drying instructions.

- ☉ = Drying with a normal temperature
- ☺ = Drying with a low temperature
- ☒ = Do not dry in a tumble dryer

### Drying tips

- Observe the maximum loads, see the "Program Guide".

Overloading the dryer will result in poor drying results and wrinkling.


- Dry delicate fabrics with the fabric care symbol ☺ with the "Gentle" option.
- Do not dry dripping wet items in the dryer. Spin the laundry after the wash for at least 30 seconds.
- Open jackets to allow even drying.
- Wool and wool blends tend to felt and shrink. Dry these items in the "Woolens" program.

- The fine cotton fabric or down filled items tends to shrink.
- Dry pure linen items only if it is advised on the fabric care label. The surface of the fabric otherwise tends to become "rough".
- Knitted fabrics (e.g. T-Shirts and underwear) tend to shrink when washed and dried for the first time. Do not overdry these fabrics.
- Permanent press and delicate fabrics tend to crease more the bigger the load size. For better drying results reduce the load size or select the "Delicates" program.
- Starched laundry can be dried in the tumble dryer. However, the amount of starch must be doubled during the wash.
- Wash new, colored items before drying for the first time and do not dry with light-colored items. These fabrics can "bleed" (also on plastic parts of the dryer). Colored lint could adhere to light-colored items.

# Use

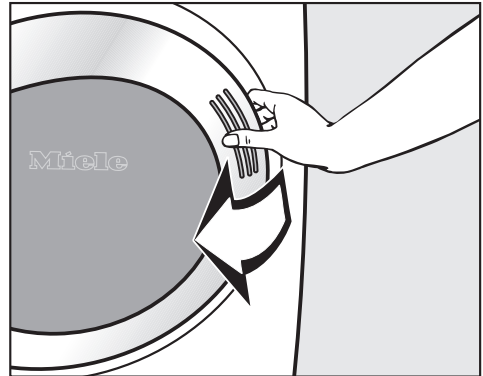
## 1. Sort the laundry

- Sort the laundry by desired dryness, fabric, size and similar residual moisture after spinning to assure even drying results.

 Do not dry items that may melt or ignite in the dryer such as plastics or rubber. They could melt and damage the laundry.

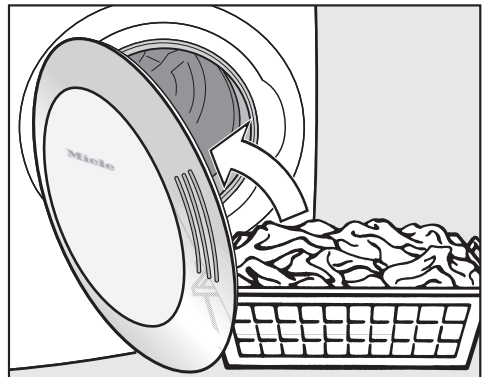
- Check hems and seams, so that no filling can fall out.
- Duvet covers and pillowcases should be fastened in order to prevent small items from rolling inside of them.
- Close zippers, hooks and eyelets.
- Tie up fabric belts and apron ties.
- Remove or sew up loose bra underwires.

## 2. Load the laundry



- Open the door.

### 2.1. Without the laundry basket



- Load the laundry loosely into the drum.

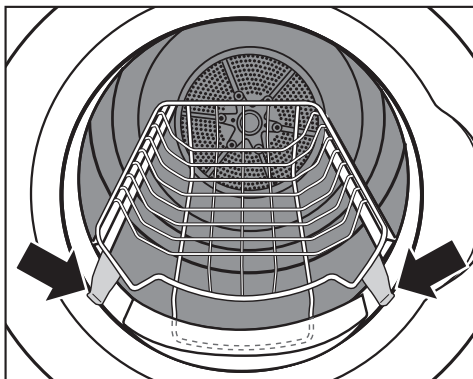
Do not overload the drum. Overloading strains the fabrics and leads to poor drying results.

## 2.2. With laundry basket

Reduce the load size to  $\frac{1}{2}$  of a normal load.


Use the laundry basket to dry or air e.g. sport shoes.

The laundry basket is designed in such a way that it does not turn with the drum and avoids strain on the drying item.



- Hang the laundry basket in the opening.

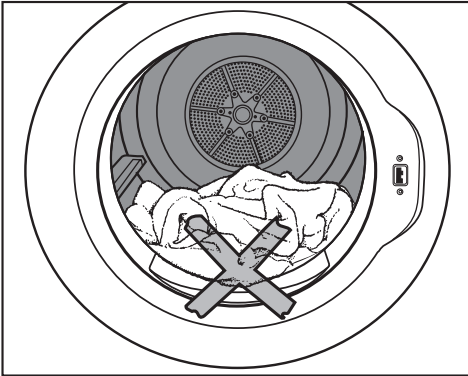
The laundry basket supports itself with the bottom in the dryer and is held in place with the front straps (arrows).

 Make sure **no sleeves, ties, belts, etc. stick out of the basket.** They might get entangled which could damage the laundry basket and the drum.

Drying with the laundry basket is only possible with the programs "45 min. warm" and "15 min. cold". All other programs are not suitable since the load sensor does not recognize a load and cancels the program.

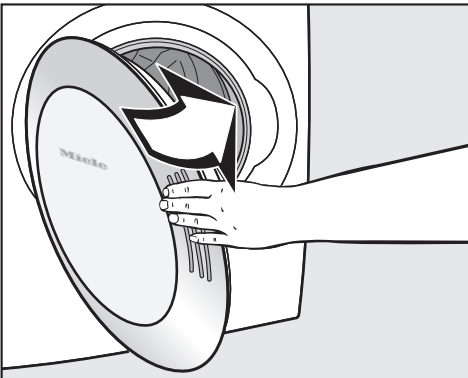
# Use

## 2.3. Close the door



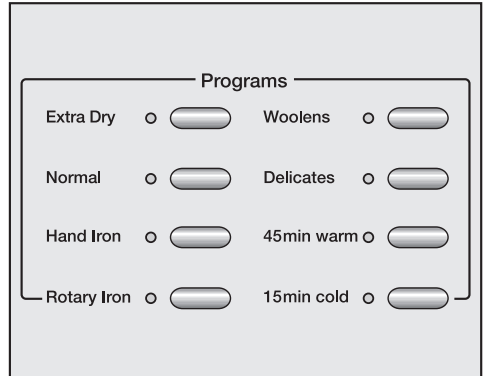
 To prevent fabric damage, check that laundry will not be caught in the closed door.

The lint filter must always be inserted in the door opening.



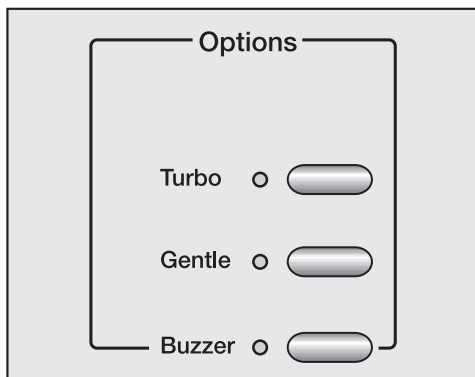
- Close the door with a firm swing and push it closed.

## 3. Select a program



- Press the button of the desired program.
  - The respective program indicator lights.
  - "Options" indicators may be lit (Memory function).

## 4. Select an option



- Press any button.

The combination "Turbo/Gentle" is not possible.

### Turbo

Heat resistant items (with fabric care symbol ☺) will be dried at a high temperature.

- Laundry will be dried faster.

### Gentle

Items sensitive to high temperatures (with fabric care symbol ☹) will be dried at a low temperature.

- For delicate or permanent press fabrics, like acrylic.
- Extended program length

### Buzzer

An signal sounds at the end of a program in intervals for up to 1 hour.

The buzzer can be turned on or off after the program starts.

The constant tone to signal a fault is independent from the turned on or off buzzer.

By pressing the "Buzzer" button the buzzer volume can be adjusted between normal - loud - off.

# Use

---

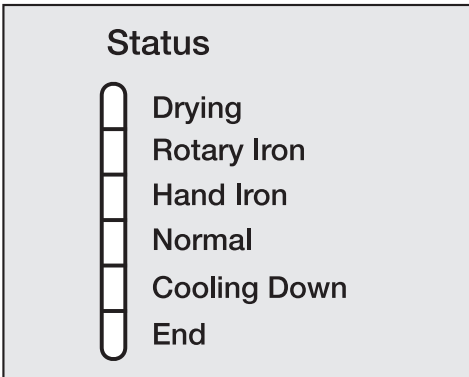
## 5. Start the program

During the program selection the "Start/Stop" indicator flashes meaning that the program can be started.



- Press the "Start/Stop" button.

The "Start/Stop" indicator lights.



The "Status" indicator of the reached drying degree lights.

## Before the end of a program

The heating phase is followed by the cooling phase which cools the laundry ("Cooling Down" indicator). Only after the cooling phase has ended has the program finished.

The "Woolens" program does not have a cooling phase.



## 6. Program end - Unload the laundry

The "Anti-crease/End" indicator will light at the end of the program and the buzzer will sound if it was selected.


The indicator of the reached drying degree lights (depending on program).

To avoid wrinkles, the drum turns in intervals for up to one hour, if the laundry is not immediately removed (Anti-crease).


- Open the door.

If the door remains open, the light goes off after a few minutes (saving energy).

- Remove the laundry.

 Check the drum for any missed pieces of laundry. Any items left in the dryer may be damaged because of over drying.

- Clean the lint filter after each use (see "Dryer care").

 Take care when inserting the lint filter not to hurt your fingers.

- Insert the lint filter with the yellow handle edge towards the drum.
- Close the door.

## Changing a running program

A running program cannot be changed (protection from accidental changes).

To select a different program the running program must be canceled.

## To cancel a program

- Press the "Start/Stop" button.


The laundry will be cooled in case a certain drying time and temperature were reached.

If you press the "Start/Stop" button again during the cooling phase, the "Anti-crease/End" indicator lights.

- Open and close the door.
- Select the new program.

## Adding/removing laundry during a drying program

- Open the door.

 Do not touch the rear of the drum while adding or removing items! Danger of burns.


- Add or remove items.
- Close the door.
- Press the "Start/Stop" button.

# Program guide

<b>Extra Dry</b>	
Items	Multi-layered, mixed loads of sturdy cottons, e.g. towels, bath robes.
Note	The "Extra dry" program should not be selected for jersey materials. Items may shrink.
Options	Turbo or Gentle, Buzzer
<b>Normal</b>	
Items	Single and multilayered cotton and linen laundry e.g. terry towels, beach towels, bath robes, T-Shirts, underwear, cotton bed linens, baby clothing, etc.
Options	Turbo or Gentle, Buzzer
<b>Hand iron</b>	
Items	Cotton or linen fabrics to be left damp for easier ironing e.g. table cloths, bed linens, starched laundry, etc.
Options	Turbo or Gentle, Buzzer
<b>Rotary iron</b>	
Items	Cotton or linen fabrics to be left damp for easier ironing. e.g. table cloths, bed linens, starched laundry, etc.
Note	Roll up items until they are machine ironed, to keep them damp.
Options	Turbo or Gentle, Buzzer

<b>Woolens</b>	
Items	Woolen fabrics
Note	<ul style="list-style-type: none"> <li>– Reduce the load size to 1/3 of a normal load.</li> <li>– Woolen items will be fluffed for a short time, but not completely dried.</li> <li>– Remove the items immediately after the program end and allow them to air dry.</li> </ul>
Options	Buzzer, Gentle (cannot be deselected)
<b>Delicates</b>	
Items	Permanent Press items of cotton, mixed fabrics or synthetics e.g. sweaters, dresses, pants, table cloths, etc.
Note	Reduce the load size: <ul style="list-style-type: none"> <li>– to ½ of a normal load without any option selected.</li> <li>– to ½ of a normal load with the "Turbo" option selected.</li> <li>– to 1/3 of a normal load with the "Gentle" option selected.</li> </ul>
Options	Turbo or Gentle, Buzzer
<b>45 min warm</b>	
Items	<ul style="list-style-type: none"> <li>– Final drying of multi-layer fabrics with unique drying characteristics e.g. jackets, pillows and voluminous textiles.</li> <li>– Drying of single items: beach towels, bathing suits</li> </ul>
Tip	Use this program to freshen cotton clothing with warm air. To freshen the items even more, dampen the items before drying or use a dryer sheet.
Note	The laundry basket can be used with this program. <b>When using the laundry basket reduce the load size to ½ of a normal load.</b>
Options	Turbo or Gentle, Buzzer
<b>15 min cold</b>	
Items	To air items
Note	The laundry basket can be used with this program. <b>When using the laundry basket reduce the load size to ½ of a normal load.</b>
Options	Buzzer

# Frequently asked questions

 Repairs to electrical and gas appliances must only be carried out by a qualified and trained person in accordance with local and national safety regulations. Repairs and other work by unqualified persons could be dangerous. The manufacturer cannot be held responsible for unauthorized work.

The following section will help you avoid placing a service call by identifying issues you may encounter while operating the machine:

## General problems

### A drying program cannot be started

Possible fault	Solution
The "Start/Stop" button was not pressed.	Make sure the dryer is on. Press the "Start/Stop" button to begin the drying program.
The circuit breaker has tripped or the dryer is unplugged.	Make sure the dryer is plugged in or reset the circuit breaker.
The door is not closed.	Close the door properly.

### Lint has built-up on laundry

Lint is the result of friction caused by items being worn and washed. Machine drying causes minimal strain of the laundry and has no significant effect on the durability. Dryers have no detrimental effects on the lifetime of fabrics.	The lint is collected in the lint filters and can be easily cleaned (see "Dryer Care").
---	---

### The items dried have static cling

Add fabric softener to laundry when washing or use dryer sheets.

## Frequently asked questions

<b>The laundry is not dry enough.</b>	
<b>Possible fault</b>	<b>Solution</b>
The load contained too many dissimilar items (size and fabrics.)	<ul style="list-style-type: none"> <li>– Continue drying using the "Warm air" program.</li> <li>– Select a suitable program.</li> </ul>
<b>The laundry is still wet. The program runs too long.</b>	
The gas supply is insufficient.	Check if the gas shut-off valve is closed.
<b>The drum light does not come on.</b>	
The light turns off automatically (energy saving).	Close and open the door, the light should come on.
The bulb may be bad or burned out.	Change the light bulb. See "Dryer Care".
<b>The program runs too long or stops.</b>	
<b>Important: To fix the following problems, open and close the dryer door.</b>	
The air supply is insufficient.	Open a window or door to increase air flow.
The lint filter is clogged with lint.	Clean the lint filter.
The exhaust hose or the connection is clogged with lint.	<ul style="list-style-type: none"> <li>– Check the exhaust parts (e.g. wall vent duct, louvered wall vent, bends, etc.) regularly for air permeability.</li> <li>– Remove the lint.</li> </ul>
The laundry was not spun sufficiently in the washer.	Spin laundry thoroughly before drying.
The dryer is over loaded.	Regard the maximum load size per program.
Metallic zippers prevent a correct measurement of the laundry's residual moisture.	<ul style="list-style-type: none"> <li>– Open the zippers of the laundry before drying.</li> </ul> <p>If the problem persists, dry items with long zippers using the "45 min. warm" program, if necessary use the laundry basket.</p>

# Frequently asked questions

## Fault indicators

### The "Check Filter/Vent" indicator lights.

Possible fault	Solution
The dryer does not work at its optimum or not efficiently. The lint filter might be clogged with lint or detergent residues.	<ul style="list-style-type: none"><li>– Usually cleaning the lint filter fixes the problem. If the problem persists, check all possibilities as described under "The program runs too long or stops".</li><li>– Open and close the door to turn off the indicator.</li></ul>
The exhaust duct may be too long. This is not a fault.	With a long exhaust duct, program times and energy consumption increase. See Installation Instructions.

### A program is canceled.

### The "Check Filter/Vent" indicator flashes.

The fault cannot be detected immediately.	<ul style="list-style-type: none"><li>– Check the possible faults as described above.</li><li>– Open and close the door to turn off the indicator.</li><li>– Start a program.</li></ul> If the problem persists call Technical Service.
---	---

### The dryer is making a thumping or grinding sound.

The sound is caused by the high airflow rate in the ducting of the dryer. This is not a fault.	<ul style="list-style-type: none"><li>– To determine if the noise is due to airflow, temporarily remove the exhaust duct from the machine. If the noise lessens, the ductwork is the cause of the noise. Rigid or flexible aluminum ducting is the best option for reducing the noise.</li></ul> If the problem persists please contact Technical Service.
--	--

## Frequently asked questions

**The program is canceled.**

**The Anti-crease/End indicator lights.**

**The buzzer sounds.**

**Possible fault**

**Solution**

This is not a fault.  
The electronic has detected that there is no laundry in the drum and cancels the program.  
Single items or already dried laundry can also cause a program stop.

- The indicator goes out by opening and closing the door.
- Single items should be dried with the "45 min. warm" program, if necessary use the laundry basket.

**The program is canceled.**

**The "Rotary iron" or "Hand iron" indicator flashes.**

**The buzzer sounds.**

The fault cannot be detected immediately.

- The indicator goes out by opening and closing the door.
  - Start a program.
- If the problem persists call Technical Service.

**The laundry is pressed on the door and below the door.**

The restriction insert in the vent opening at the rear of the dryer was removed.

- Reinsert the restriction insert in the vent opening. Removing it may result in poor drying results, damage to the laundry and higher CO<sub>2</sub> emissions.

## After sales service

---

### Repairs

In the event of a fault which you cannot fix yourself, please contact the service number on the back of this manual.

When contacting Technical Service, please quote the model and serial number of your appliance. These can be found on the data plate.

### Optional accessories

Optional accessories can be obtained by contacting Miele.

### MieleCare

(only US)

**MieleCare**, our Extended Service Contract program; gives you the assurance of knowing that your appliance investment is covered by 5 years of worry free ownership.

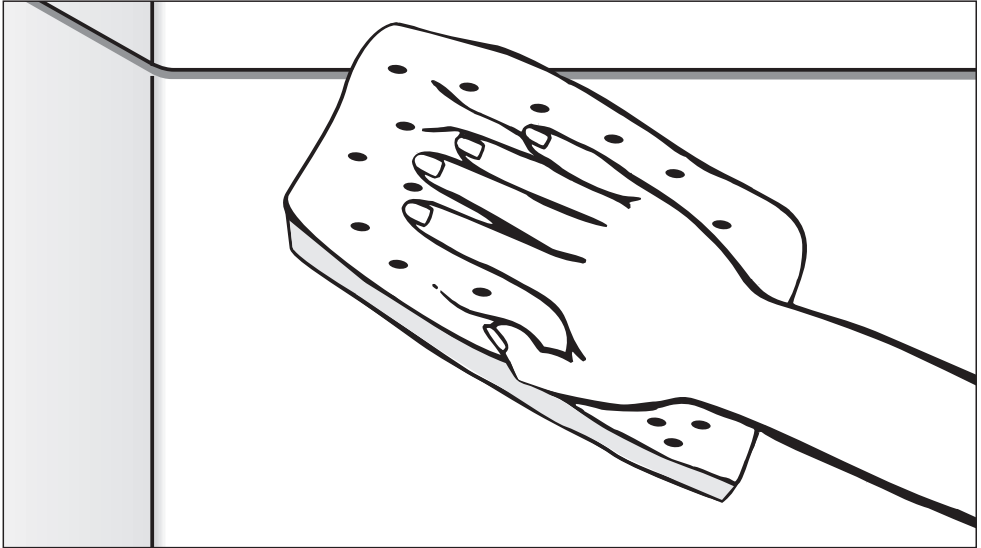
**MieleCare** is the only Extended Service Contract in the industry that guarantees repairs by a Miele Authorized Service Provider using genuine Miele parts. Only genuine Miele parts installed by factory trained professionals can guarantee the safety, reliability and longevity of your Miele appliance.

Please note that unless expressly approved in writing by the Miele Service department, Extended Service Contracts offered by other providers for Miele products will not be recognized by Miele. Our goal is to prevent unauthorized (and untrained) service personnel from working on your Miele products, possibly doing further damage to them, you and/or your home.

To learn more about **MieleCare** Extended Service Contracts, please contact your appliance dealer or visit us online at:

[www.store.miele.com](http://www.store.miele.com)





## User Maintenance Instructions

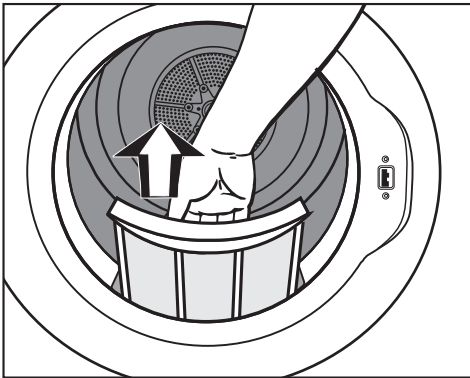
To prevent accidents  
and machine damage,  
read these instructions  
**before** installation or use.

# Dryer Care

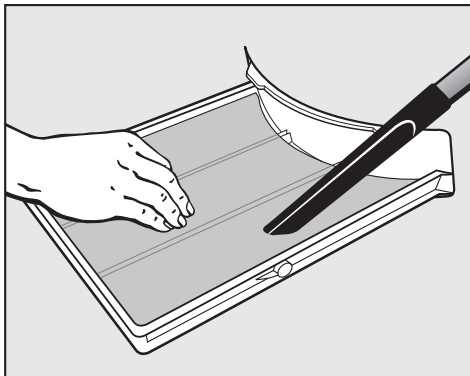
## Cleaning the lint filter

The lint is collected by the lint filter in the door opening. The lint filter must be cleaned after **every** program.

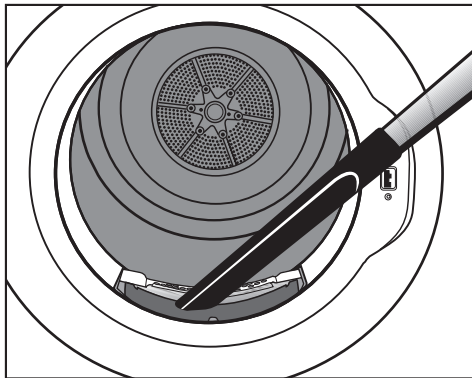
- Clean the lint filter whenever the "Check Filter/Vent" indicator comes on.




- Pull out the lint filter.



- Wipe the lint off the filter with your hand (do not use any sharp objects!) or use a vacuum cleaner with the supplied vacuum cleaner nozzle.



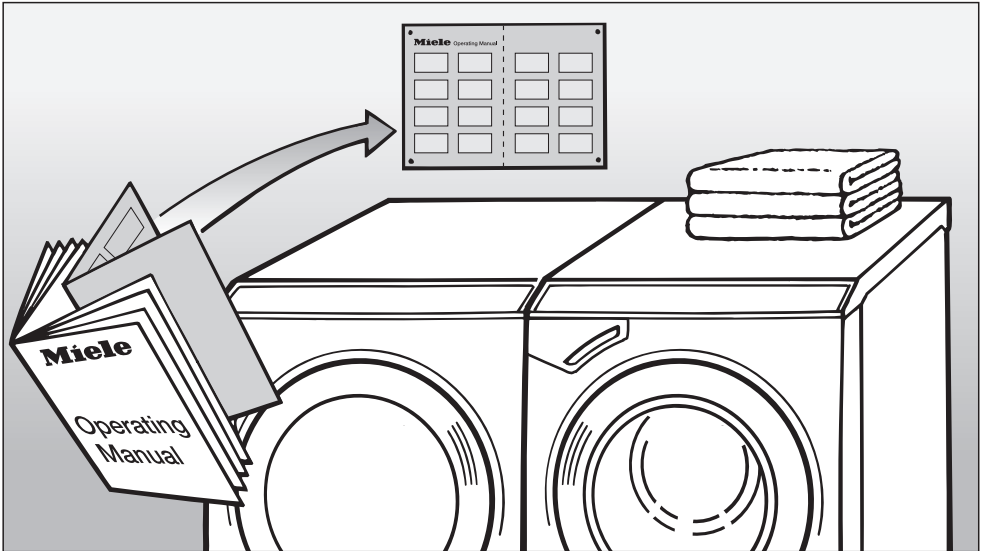
- Clean visible lint from the dryer interior.

 Take care when inserting the lint filter not to hurt your fingers.

- Insert the lint filter with the yellow handle edge facing the drum.

## Rinsing the lint filter

- The lint filter can be rinsed with hot water if necessary.
- The filter must be dried thoroughly before being returned to the dryer door.



## Quick Guide

**Remove this guide for easy reference**

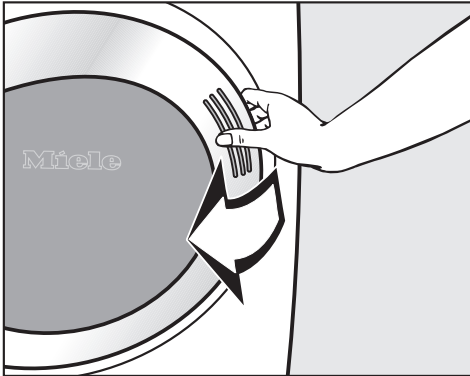
To prevent accidents and machine damage read these instructions **before** installation or use.

# Quick Guide

## 1. Prepare and sort the laundry

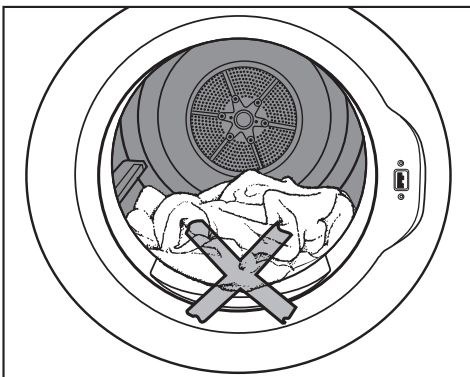
- Check for damages and foreign objects.
- Close zippers, hooks and eyelets.
- Tie up belts and apron ties.

## 2. Load the laundry




- Open the door.

## Without the laundry basket



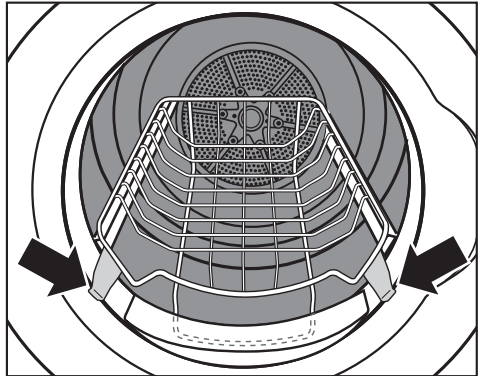
- Load the laundry loosely in the drum.

 To prevent fabric damage, check that laundry will not be caught in the closed door.

## With the laundry basket

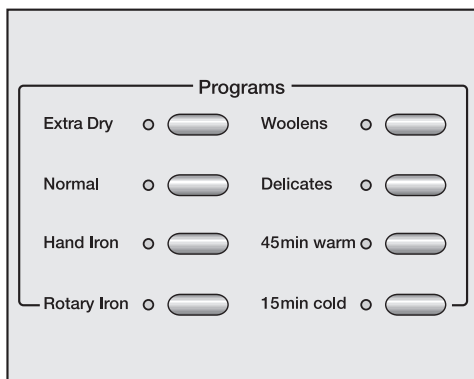
Reduce the load size to  $\frac{1}{2}$  of a normal load.

Drying with the laundry basket is only possible in the programs "45 min warm" and "15 min cold".



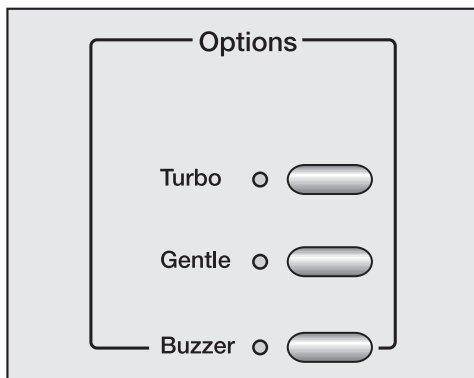
- Hang the laundry basket in the opening.
- Close the door.

## 3. Select a program



- Press the desired program button.

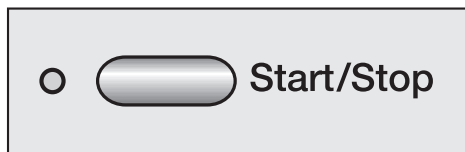
## 4. Select an option



- Select an option button, if desired.

The combination "Turbo/Gentle" is not possible.

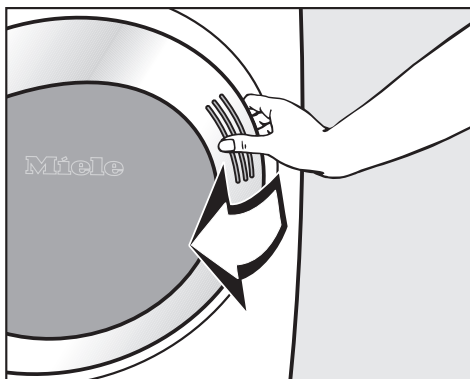
## 5. Starting a program



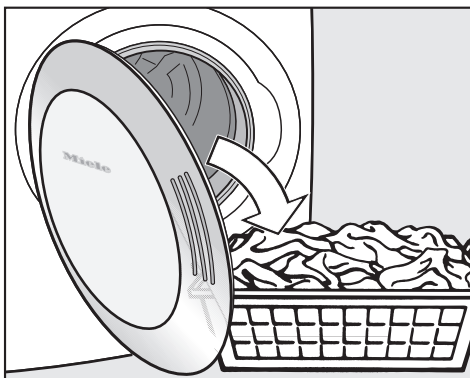
- Press the "Start/Stop" button.

## 6. Program end - Unload the laundry

The Anti-crease/End indicator lights.



- Open the door.



- Remove the laundry/laundry basket.
- Clean the lint filter.
- Close the door.

# Quick Guide

---

## Short program guide

### Extra Dry

Multi-layer, mixed loads of sturdy cottons, e.g. towels, bath robes.

The "Extra dry" program should not be selected for jersey materials. Items may shrink.

**Options:** Turbo or Gentle, Buzzer

### Normal

Single and multilayered cotton and linen laundry e.g. terry towels, beach towels, bath robes, T-Shirts, underwear, cottons, bed linens, baby clothing.

**Options:** Turbo or Gentle, Buzzer

### Hand iron / Rotary iron

Cotton or linen fabrics to be left damp for easier ironing. e.g. table cloths, bed linens, starched laundry.

Roll up items until they are ironed to keep them damp.

**Options:** Turbo, Buzzer

### Woolens

Woolen items which allow machine drying.

**Load size:** Reduce the load size to  $\frac{1}{3}$  of a normal load.

**Options:** Buzzer, Gentle (cannot be deselected)

### Delicates

Permanent Press items made of cotton, mixed fabrics or synthetics e.g. Sweaters, dresses, pants, table cloths.

**Load size:** Reduce the load size

- to  $\frac{1}{2}$  of a normal load without any option selected.
- to  $\frac{1}{2}$  of a normal load with the "Turbo" option selected.
- to  $\frac{1}{3}$  of a normal load with the "Gentle" option selected.

**Options:** Turbo or Gentle, Buzzer

### 45 min warm

Final drying of multi-layer fabrics, with unique drying characteristics e.g. jackets, pillows and voluminous textiles.

Drying of single items: beach towels, bathing suits, etc.

Airing articles

**Load size:** When using the laundry basket reduce the load size to  $\frac{1}{2}$  of a normal load.

**Options:** Turbo or Gentle, Buzzer


### 15 min cold

Airing or fluffing articles

**Load size:** When using the laundry basket reduce the load size to  $\frac{1}{2}$  of a normal load.

**Options:** Buzzer

## Cleaning the exterior and the control panel

 To reduce the risk of electric shock, disconnect the dryer from the power supply by shutting off the power main, tripping the circuit breaker or unplugging the power cord before performing maintenance.

Never use abrasive cleaners, scouring pads, steel wool or caustic (oven) cleaners on the dryer. They will damage the surface.

- The exterior, door, control panel and laundry basket can be cleaned with warm water and liquid dish soap applied with a soft sponge.
- Wipe dry using a soft cloth.
- The door gasket can be wiped with a damp cloth.

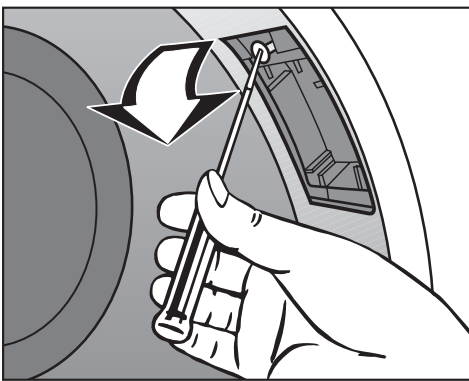
# Dryer Care

## Changing the light bulb

To reduce the risk of electric shock, disconnect the appliance from the power supply by unplugging or tripping the circuit breaker.

- Open the door.

The lighting is in the drum opening in the upper right-hand corner.



- Remove the screw.
- Flip the cover down.

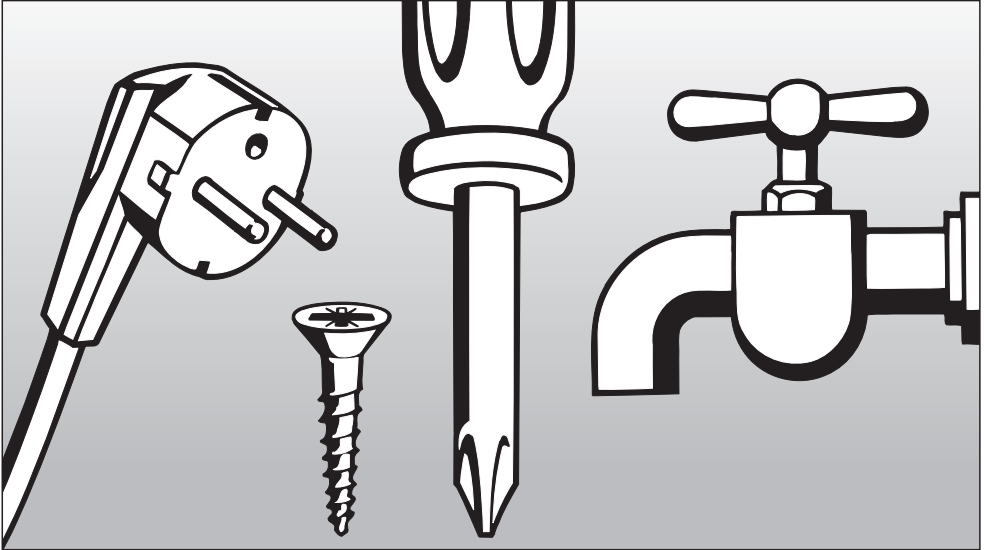
- Replace the light bulb with a temperature proof bulb available from Miele.

The light bulb must not exceed the maximum wattage quoted on the data plate and the light cover.

- Flip the cover up.
- Tighten the screw.

**⚠** Make sure the bulb cover is securely closed to prevent a short circuit or penetrating moisture. Penetrating moisture can cause a short circuit.





## Installation Instructions

**The gas dryer T9820 is only approved for use in the USA and Canada. It is not approved for use in Mexico.**

To prevent accidents and machine damage read these instructions **before** installation or use.

# IMPORTANT SAFETY INSTRUCTIONS

## Installation and connection

**When using your gas appliance follow basic safety precautions including the following:**

▶ Installation, repair and maintenance work should be performed by a qualified installer, service agency or the gas supplier. Work by unqualified persons could be dangerous and could void the warranty.

### ▶ In Massachusetts:

This dryer must be installed by a licensed plumber or gas fitter.

▶ Before installation, disconnect the tumble dryer from the electrical supply by shutting off the power main, unplugging the power cord or tripping the circuit breaker. Do not restore power until the installation is complete.

### ▶ GROUNDING INSTRUCTIONS

This appliance must be grounded. In the event of malfunction or breakdown, grounding will reduce the risk of electric shock by providing a path of least resistance for electric current. This appliance is equipped with a cord having an equipment grounding conductor and a grounding plug. Only place the plug in an appropriate outlet that is properly installed and grounded in accordance with all local codes and ordinances.

▶ **WARNING** – Improper connection of the equipment grounding conductor can result in a risk of electric shock. Check with a qualified electrician if you are in doubt as to whether the appliance is properly grounded.

▶ Do not modify the plug provided with the appliance! If it will not fit the outlet, have a proper outlet installed by a qualified electrician.

▶ Do not use an extension cord to connect this appliance to the power supply. Extension cords do not guarantee the required safety of the appliance (e.g. danger of overheating).

▶ This dryer must be vented outdoors to reduce the risk of fire. Be sure to observe local building codes.

▶ Use flexible or rigid metal pipe for venting. Non-metallic flexible hose should not be used, it is a potential fire hazard.

# IMPORTANT SAFETY INSTRUCTIONS

---

- ▶ The dryer exhaust must not be connected to a chimney, fireplace ducting, a combustion appliance vent flue, a wall, ceiling or concealed space of a building.
- ▶ Do not install the machine in rooms where temperatures below freezing may occur.
- ▶ Proper installation is the responsibility of the installer.
- ▶ Product failure due to improper installation is not covered under the Warranty.
- ▶ Gas dryers are not approved for mobile home installation.
- ▶ If there is any doubt concerning installation, contact Miele's Technical Service Department.



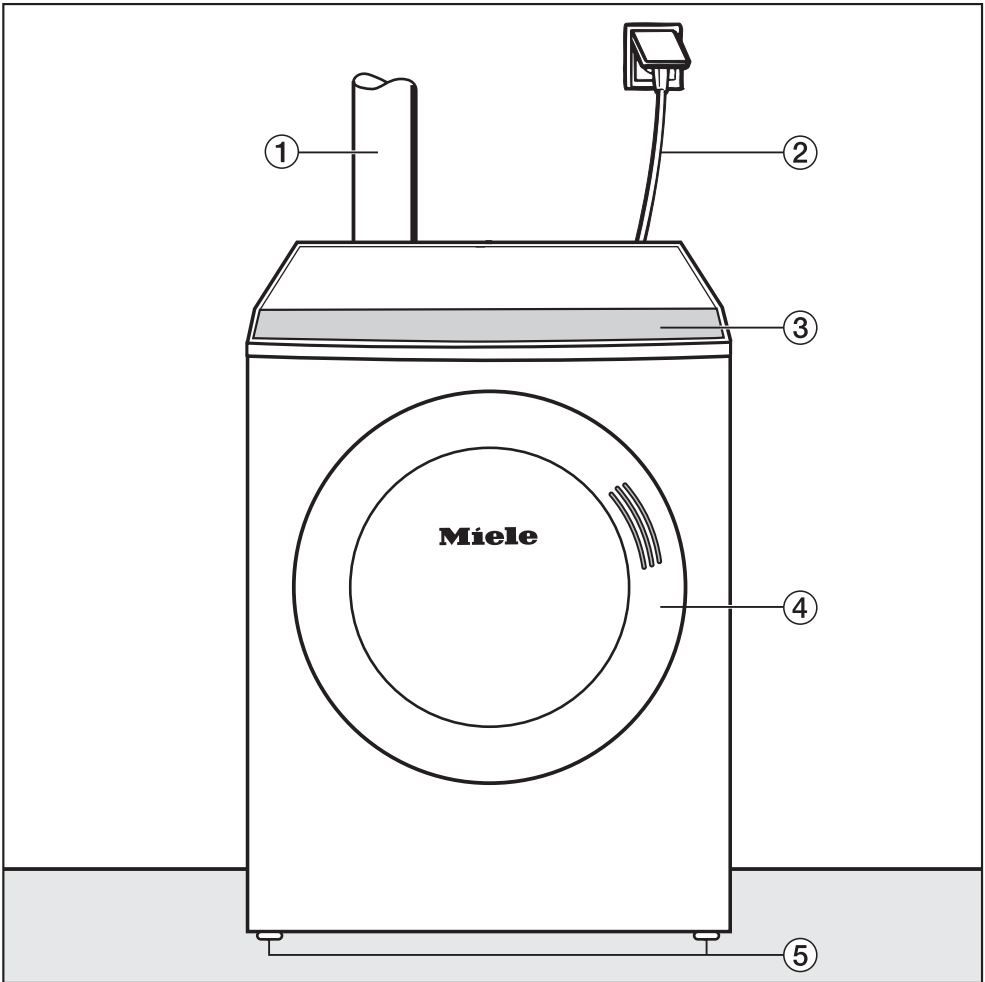
1-800-999-1360  
techserv@mieleusa.com



1-800-565-6435  
service@miele.ca

# Installation

## Front view

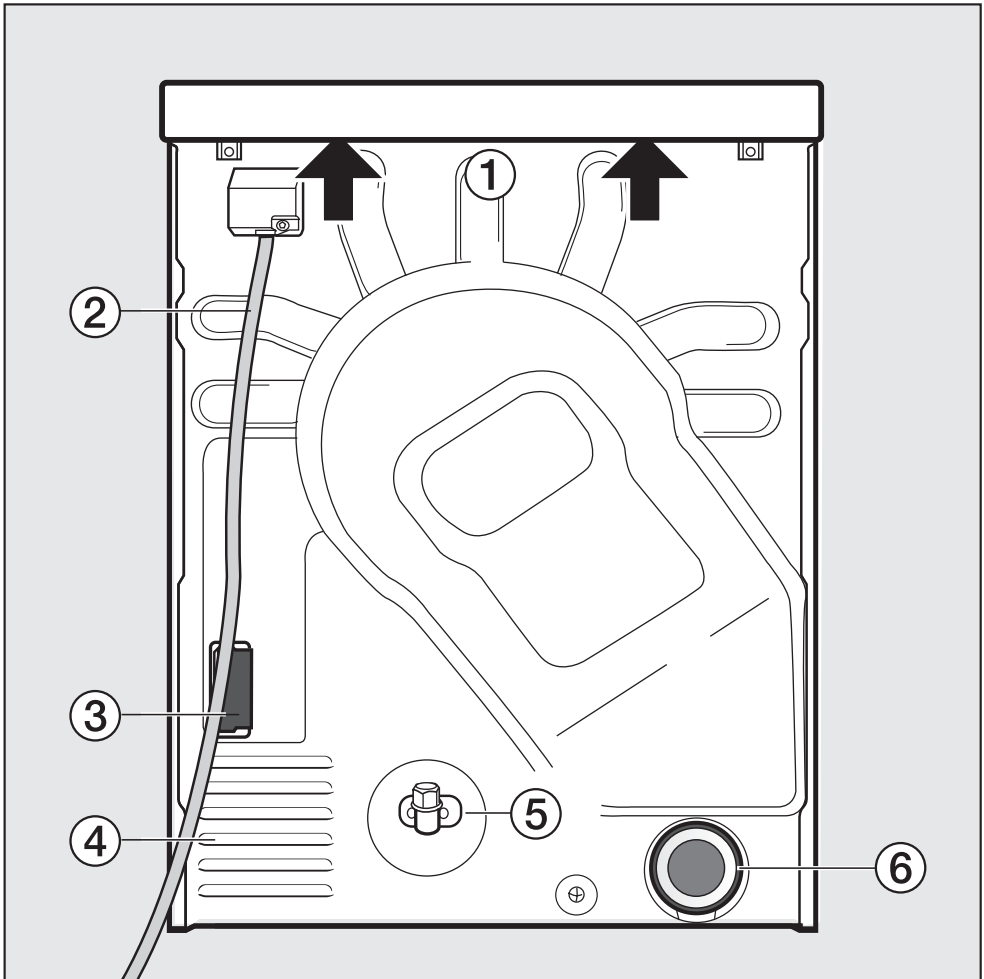


- ① Exhaust connection
- ② Power cord with plug
- ③ Control panel
- ④ Door
- ⑤ Four height adjustable screw feet

### Stand

A dryer stand, with drawer, can be purchased as an optional accessory.

## Rear



- ① Handle for transportation (arrows)
- ② Power cord with plug
- ③ Slot for module
- ④ Air intake
- ⑤ Gas connection
- ⑥ Vent connection with restriction insert

### WARNING

Do not remove the restriction insert in the vent opening. It may result in poor drying results, damage to the laundry and higher CO<sub>2</sub> emissions.


# Installation site

---

 **WARNING:**

**Do not install the dryer:**

- outdoors
- in an environment with dripping water or weather
- near flammable materials
- in rooms which may contain gas or other fuels
- in closets with solid doors
- with other fuel-burning appliances in the same closet
- in a location where its door could conflict with room doors.
- next to a refrigerator
- under a countertop
- on top of a washer.

 **The National Fuel Gas Code restricts installations of gas appliances in garages. They must be 18 inches off the ground and protected by a barrier from vehicles.**

## Confined space installation

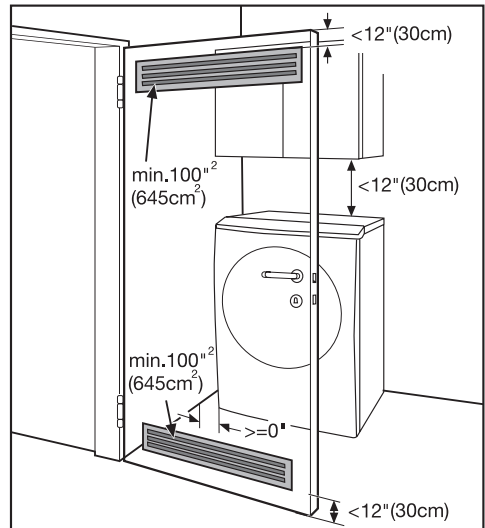
- When installed in any space with less than 122 square feet, minimum clearances around the dryer must be adhered to for proper ventilation and vents for make up air must be installed.
- Do not install any other fuel-burning appliance in the same space as the dryer.

## Confined door openings

Any doors limiting circulation must be louvered or otherwise ventilated.

A **minimum of 200 square inches** (1,290 cm<sup>2</sup>) of opening is required. It must be equally divided within 12" (30.5 cm) from the top and bottom of the door.

## Minimum installation clearance



**Sides:** 0" (0 cm)

**Top:** 12" (30.5 cm)

**Rear:** 0" (0 cm) (as close to wall as gas connection and venting allows)

Front to door: 2" (5 cm)

Make sure the dryer door can open completely once installed.

Exhaust duct clearance to combustible material: 2" (5 cm)

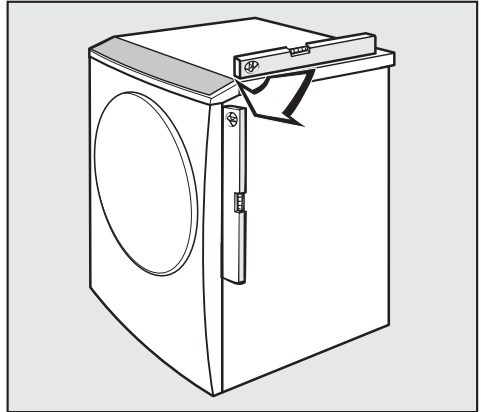
# Installation

## Transporting the dryer to the installation site

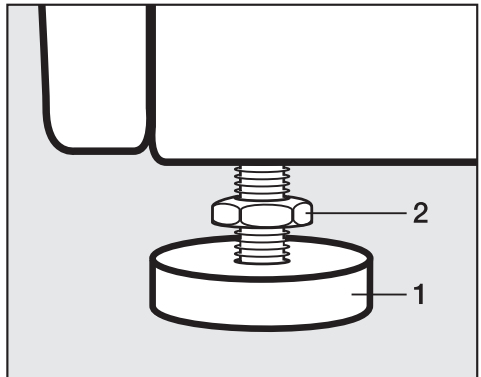
The rear of the lid has a handle for transportation.

- Use the front dryer feet and the rear of the lid to move the dryer to the installation site.


## Level the dryer



The dryer must be level to ensure safe and proper operation.



- Unscrew the four feet as necessary by turning the foot, **1**, and the locking ring, **2**, to the left.
- Once level, hold the foot, **1**, still with a wrench. At the same time, turn the locking ring, **2**, to the right using another wrench.

 The dryer lid cannot be removed.



 **WARNING**

Before installation, disconnect the tumble dryer from the electrical supply by shutting off the power main or tripping the circuit breaker. Be sure the dryer power cord is unplugged from the wall. Do not restore power until the installation is complete.

Turn the dryer's gas shutoff valve in the supply line to the OFF position.

Disconnect and discard old flexible gas connector and ducting material.


## Electrical connection

---

### **GROUNDING INSTRUCTIONS**

This appliance must be grounded. In the event of malfunction or breakdown, grounding will reduce the risk of electric shock by providing a path of least resistance. This appliance is equipped with a cord having an equipment grounding conductor and a grounding plug. The dryer, when installed, must be electrically grounded in accordance with local codes, or in the absence of local codes, with the National Electrical Codes ANSI/NFPA 70, or the Canadian Electrical Code, CSA C22.1.

**WARNING** – Improper connection of the equipment grounding conductor can result in a risk of electric shock. Check with a qualified electrician, service representative or personnel if you are in doubt as to whether the appliance is properly grounded.

 **WARNING** – This dryer is equipped with a three-prong (grounding) plug for your protection against shock hazard and should be plugged directly into a properly grounded three-prong receptacle. Do not cut or remove the grounding terminal from this plug.

Do not modify the plug! If it will not fit the outlet, have a proper outlet installed by a qualified electrician.

The dryer is supplied with a 5' 7" (1.7 m) 3x14 AWG cord and a NEMA 5-15 P plug, ready for connection to a 120 V, 60 Hz, 15 A AC power supply.

■ Plug the machine into a proper outlet.

If the plug does not fit, have a proper outlet installed by a qualified electrician.

### **WARNING**

Installation and service must be performed by a qualified installer, service agency or gas supplier.

In Massachusetts a licensed plumber / gas fitter is required.

This appliance must be installed with its own shut off valve in the same room. The valve must be easily accessible to the consumer to turn on or shut off the gas supply after the appliance is installed.

During any pressure testing of the gas system this appliance must be disconnected from the gas supply by closing its individual manual shut off valve.

Any pipe connections must be made using a thread sealant approved for gas connections. Failure to correctly install these items could lead to a gas leak and subsequent explosion.

The gas installation must be made in accordance with local codes or, in the absence of local codes, with

-National Fuel Gas Code,  
ANSI Z223.1/NFPA 54 for USA  
or  
-Natural Gas and Propane  
Installation Code,  
CSA B149.1 for Canada.

### **Gas type**

The gas dryer is equipped for connection to a **NATURAL GAS** supply.

The maximum heat output is 19,500 BTU/H (5,7 kW).

An installation kit for **conversion from NATURAL to LP gas** is available as an optional accessory.

A conversion to LP gas must only be carried out by a qualified installer and in accordance with all local codes and ordinances.

### **Minimum gas supply pressure**

to obtain the required gas input is:  
0.15 psi (4" WC) for natural gas  
0.29 psi (8" WC) for LP gas.

### **Maximum gas supply pressure**

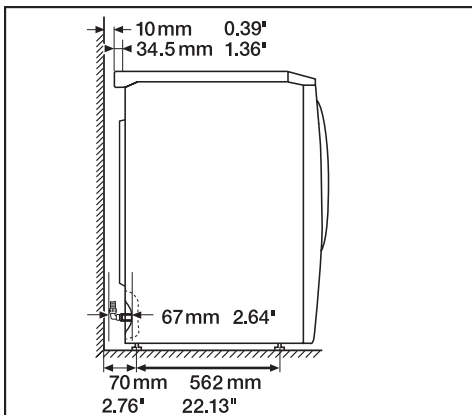
before the gas pressure regulator  
0.37 psi (10" WC) for natural gas  
0.46 psi (13" WC) for LP gas.

# Gas connection

## Gas supply

All installation material (hoses and adapters) must be provided by the installer.

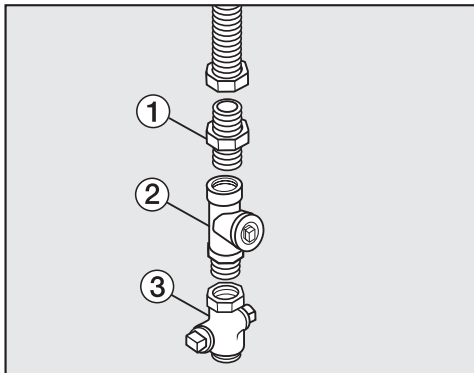
## Gas connection distances



The gas supply line must be made of  $\frac{1}{2}$ " rigid pipe.

This appliance must be installed with its own shut off valve on the gas supply line. The valve must be within 6 ft. (1.8 m), and in the same room, of the dryer.

An  $\frac{1}{8}$ " NPT pressure tapping plug must be installed immediately upstream of the gas supply connection. This allows the gas inlet pressure to be checked regularly.



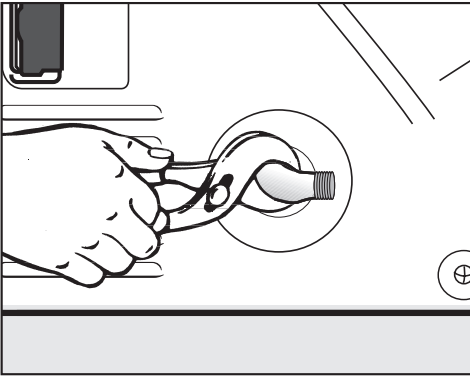
- ① Flare union adapter
- ②  $\frac{1}{8}$ " NPT pressure tapping plug
- ③ Gas shut-off valve

For convenience (if allowed by code), an AGA or CGA approved flexible stainless steel gas hose (accordion type) may be used between the gas source and the dryer. This will allow the appliance to be moved from the installation site for cleaning or servicing. Make sure that nothing rubs on the gas hose.

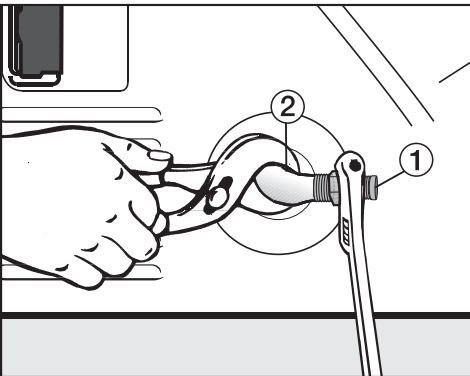
If there is any doubt concerning installation, contact the Miele Technical Service Department at the phone number listed on the back of this manual.

## Gas connection

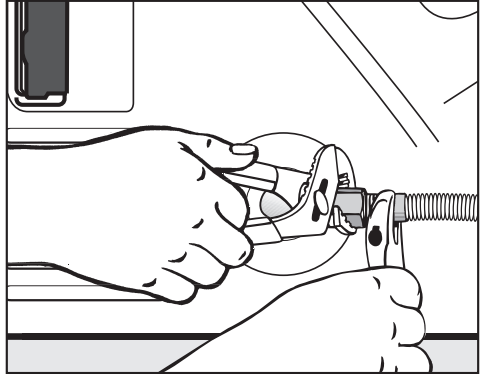
To secure all connections use appropriate Teflon tape or a thread compound.



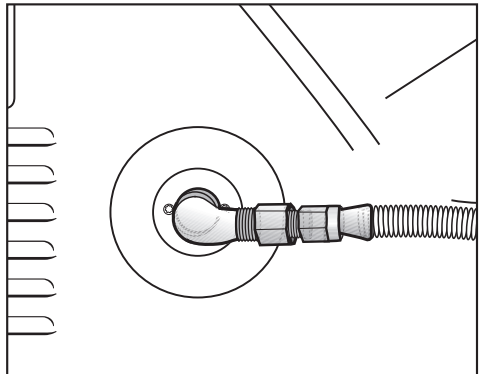
- Install a female  $\frac{3}{8}$ " NPT elbow at the end of the dryer's gas connection.



- Install a  $\frac{3}{8}$ " flare union adapter, ①, to the female elbow, ②. Hold the elbow with a pipe wrench.

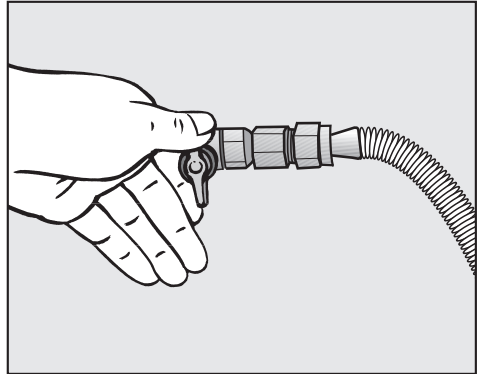
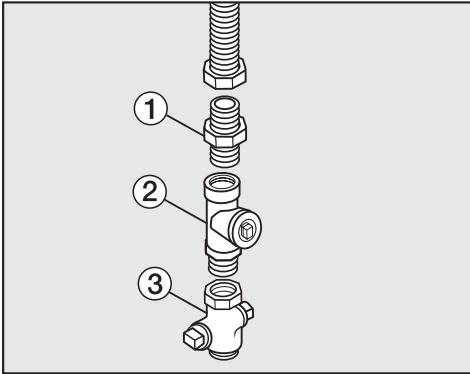


- Secure the flexible metal gas line connector to the adapter.



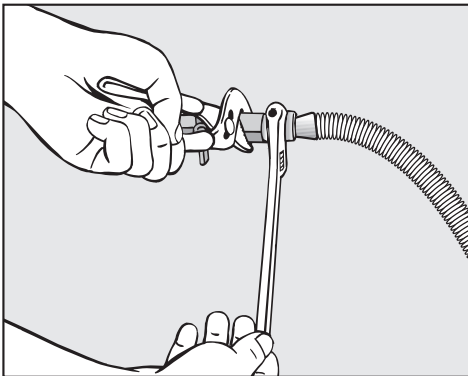
- Using two adjustable wrenches tighten the flexible gas line connection.

## Gas connection



- Connect the flare union adapter, ①, to the pressure tapping plug, ②, originally installed on the gas shut off valve, ③.

- Open the gas shut-off valve.
- After connecting the appliance check all fittings for gas leaks e.g. with soapy water or an equivalent.



- Using two adjustable wrenches tighten all connections. Do not over tighten.

**⚠ WARNING**  
**NEVER USE AN OPEN FLAME TO TEST FOR GAS LEAKS.**

## Exhaust ducting and connections

A gap of  $\frac{3}{8}$ " (10 mm) must be provided between the machine and the floor. This gap is necessary for proper air flow and must not be blocked by a toekick or thick piled carpets.

Sufficient venting of the installation site is essential for proper dryer operation. Inadequate ventilation will increase energy use and drying times.

### WARNING

**Danger of toxic fumes.**

**The exhaust gases from the dryer must only be vented outside the building.**

**DO NOT terminate the exhaust ducts in a chimney, fireplace ducting, a combustion appliance vent flue, or enclosed, unventilated area such as attics, garages, crawlspaces, walls, ceilings or concealed space of a building.**

**To reduce the risk of fire, only use metal ductwork.**

# Ducting

---

## How to calculate the effective duct length

The overall duct length will determine the duct diameter.

■ Measure the actual duct length needed to go from the dryer's exhaust connection to the vent outlet:

1. Establish the number of elbows or bends necessary, noting the type of bend, angle and radius involved (see Table).
2. Add the additional duct length (as derived by using the values specified in the table) to the actual duct length to get the effective length.

### Note:

Maximum effective duct lengths:

4" (100 mm) diameter	66 ft (20 m)
5" (125 mm) diameter	131 ft (40 m)
6" (150 mm) diameter	328 ft (100 m)

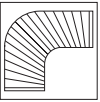

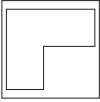
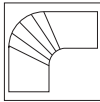
Effective duct lengths over 66 ft (20 m) require a larger duct diameter.

Longer ducts may lead to decreases in dryer efficiency if the next larger duct diameter is not followed.

## Tips about the ductwork

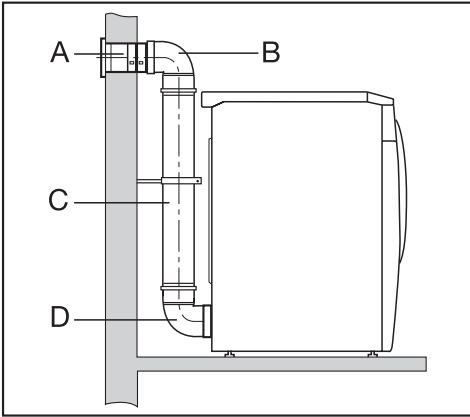
- Check with your local building code to determine the maximum allowable duct length.
- Rigid metal or flexible aluminum ducting is preferred. Flexible foil ducting may move and bounce due to the high airflow of the dryer. This could lead to a thumping or grinding noise.
- Non-metallic flexible hose should not be used. It is a potential fire hazard.
- For best drying results avoid extra long ducting with too many bends, angles or tight corners.
- The shorter the exhaust ductwork, the more efficient the dryer will be. Expelled air is slowed down in the ducts due to friction against the inner walls. The shorter and smoother the inner walls are, the less friction will be created.
- An elbow or bend creates more friction than a straight duct. An additional duct length factor must be added for each elbow or bend (see Table). This factor expresses the resistance of the bend in terms of a straight length of duct. The additional length factor is then added to the existing duct to give the effective duct length. A larger duct diameter helps to reduce friction. Therefore duct diameter should be increased if longer duct lengths are required.



Additional duct lengths (4" (100 mm) rigid pipe only)				
Type of bend	Radius		Additional duct length	
	inches	cm	ft	cm
<b>Flexible metal duct</b> – 3' 3" (1 m) straight – 45° angle – 90° angle 	10"	25	5' 11"	180
	10"	25	4' 11"	150
	10"	25	8' 2"	250
<b>Smooth metal duct</b> – 3' 3" (1 m) straight – 45° angle – 90° angle 	10"	25	3' 3"	100
	10"	25	1' 11"	60
	10"	25	2' 7"	80
<b>Elbow 90° sharp</b> 			7' 6"	230
<b>Concertina bend</b> – 90° angle 	8"	20	2' 4"	70
<b>Wall vent or window vent</b> – with louvers – with flap – with weather hood			12' 5"	380
			4' 11"	150
			19' 8"	600

# Ducting

## Example



Rigid pipe		Duct length ft	Duct length m
<b>A</b>	Wall duct with louwered wall vent	12' 5"	3.8 m
<b>B</b>	90° bend	2' 4"	0.7 m
<b>C</b>	20" (0.5 m) rigid pipe	1' 7"	0.5 m
<b>D</b>	90° bend	2' 4"	0.7 m
<b>Total duct length</b>		18' 8"	5.7 m

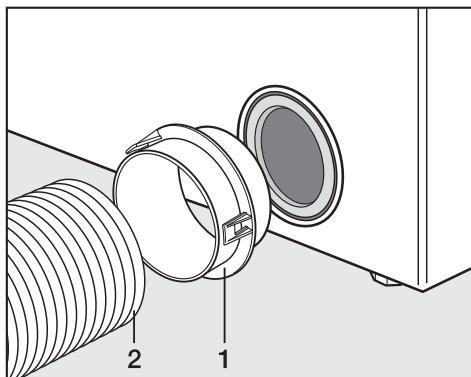
The total duct length is less than 33 feet (10 m), so a duct diameter of 4" (100 mm) with adapter is sufficient.

## Exhaust connection with a flexible exhaust hose or rigid pipe

Using the connector supplied, an exhaust hose (4" [100 mm] diameter) can be installed.

Necessary materials:

- a wall or window duct (available from Miele)
- an exhaust hose made of approved non-flammable material



- Install the required connector\*, **1**, with the exhaust hose or pipe, **2**, to the dryer.

\* The white connector with clips is used for connection to a hose; the gray connector without clips is used for connection to a pipe.

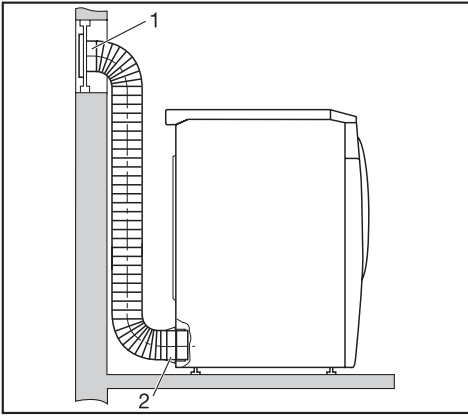
### WARNING

Do not remove the restriction insert in the vent opening. It may result in poor drying results, damage to the laundry and higher CO<sub>2</sub> emissions.

The exhaust duct must not be connected or secured with screws or other fastening devices which extend into the interior of the duct.

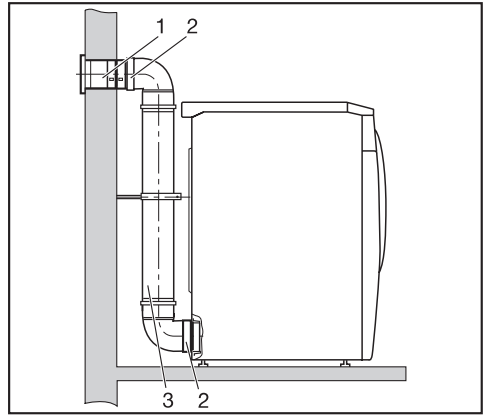
# Ducting

## Window connection (example)



- 1** Window duct
- 2** Connector for the rigid or flexible exhaust hose

## Wall connection (example)



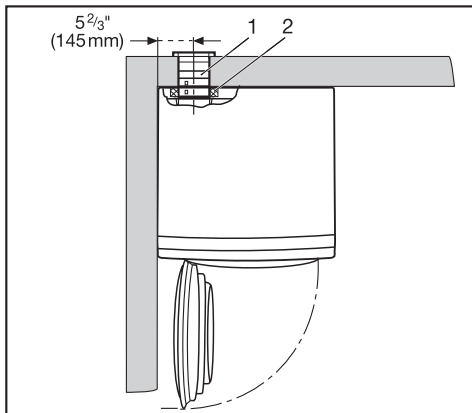
- 1** Wall pipe (Installation sheet supplied with the Miele wall pipe)
- 2** Connector
- 3** Rigid pipe

## Direct wall connection

Necessary materials:

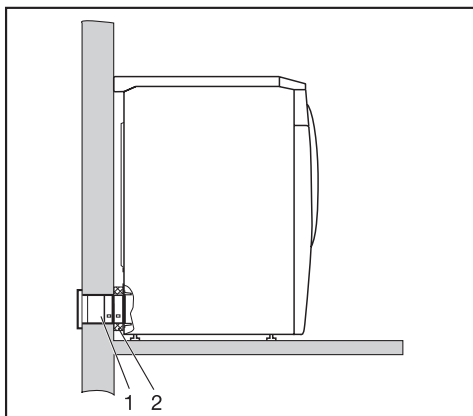
- a wall pipe
- flexible foam gasket

### Dryer top view

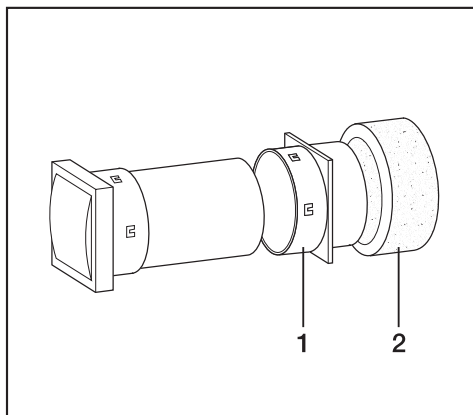


- 1 Wall pipe
- 2 Flexible foam gasket

### Dryer side view



- 1 Wall pipe
- 2 Flexible foam gasket



- Connect the flexible foam gasket, **2**, to the wall pipe connector, **1**.
- Push the dryer to the wall.

# Caring for the environment

---

## **Disposal of the packing materials**

The packing materials protect the appliance during shipping. They have been designed to be biodegradable and recyclable.

To prevent suffocation, ensure that any plastic wrappings, bags, etc. are disposed of safely and kept out of the reach of children.

## **Disposal of an appliance**

Old appliances may contain materials that can be recycled. Please contact your local recycling authority about the possibility of recycling these materials.

Ensure that a discarded dryer presents no danger to children. When being stored for disposal remove the door to the drying compartment.



When contacting the Technical Service,  
please quote the model and serial number  
of your appliance.

---



**Miele, Inc.** (USA)

**National Headquarters**

9 Independence Way  
Princeton, NJ 08540  
Phone: 800-843-7231  
609-419-9898  
Fax: 609-419-4298  
[www.miele.com](http://www.miele.com)

**Technical Service & Support  
Nationwide**

Phone: 800-999-1360  
Fax: 888-586-8056

**Miele Limited** (CDN)

**Headquarters and Showroom**

161 Four Valley Drive  
Vaughan, ON L4K 4V8  
Phone: 800-643-5381  
905-660-9936  
Fax: 905-532-2290  
[www.miele.ca](http://www.miele.ca)  
[info@miele.ca](mailto:info@miele.ca) (general enquiries)  
[professional@miele.ca](mailto:professional@miele.ca) (commercial enquiries)

**MieleCare National Service**

Phone: 800-565-6435  
905-532-2272  
Fax: 905-532-2292  
[service@miele.ca](mailto:service@miele.ca) (technical enquiries)



## Free Manuals Download Website

<http://myh66.com>

<http://usermanuals.us>

<http://www.somanuals.com>

<http://www.4manuals.cc>

<http://www.manual-lib.com>

<http://www.404manual.com>

<http://www.luxmanual.com>

<http://aubethermostatmanual.com>

Golf course search by state

<http://golfingnear.com>

Email search by domain

<http://emailbydomain.com>

Auto manuals search

<http://auto.somanuals.com>

TV manuals search

<http://tv.somanuals.com>