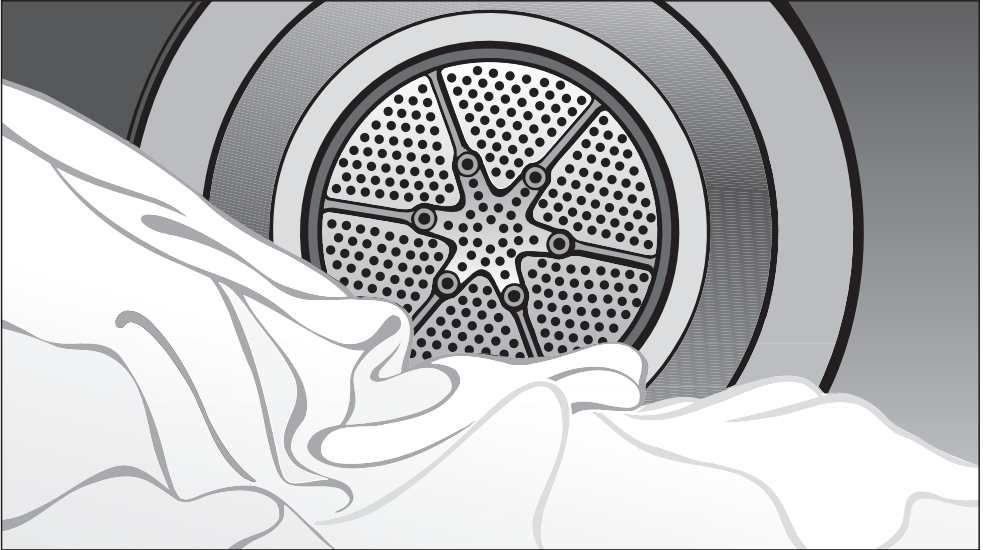


Miele

HONEYCOMB CARE



Operating instructions for vented tumble dryer T 4322

To avoid the risk of accidents
or damage to the machine
it is **essential** to read these
Operating instructions before
it is installed or used for the first time.



M.-Nr. 06 067 740

Contents

Warning and Safety instructions	4
Caring for the environment	7
Disposal of the packing material	7
Disposal of your old machine	7
Energy saving tips	7
Guide to the appliance	8
Control panel / Features.	8
Notes on laundry care	10
Programme chart	11
How to dry correctly	14
❶ Prepare the laundry.	14
❷ Load the drum and switch on the dryer	14
❸ Selecting a programme.	15
❹ Selecting additional options	15
Energy save	15
Short	16
Low temperature.	16
Buzzer.	16
❺ Delay start	16
❻ Starting a programme	17
❼ After drying	17
Additional notes	17
Brief instructions	18
To change a programme	19
To interrupt a programme	19
To cancel a programme and select a different programme	19
Adding or removing items	19
Electronic system lock	20
Cleaning and care	21
Cleaning the fluff filter	21
Tumble dryer	22
Problem solving guide.	23
General problems	23
Check indicator lamps	26
Check and fault indicator messages in the display	28
To change the interior drum lamp.	29

After sales service	30
Repairs	30
Future updates (PC)	30
Optional accessories	30
Installation	31
Front view	31
Installation site	32
Transporting the machine to its installation site	32
Building under a continuous worktop / in a kitchen run	32
Aligning the machine	33
Washer-dryer stack	33
Electrical connection	34
Electrical connection U.K.	34
Installation - venting	36
General	36
Calculating the effective duct length:	37
Installation to the left or right side of the machine	38
Venting systems	39
Ⓐ Flexible ducting hose	39
Ⓑ Venting system with plastic piping	41
Ⓒ Connecting directly to a wall vent	42
Washer dryer stack	43
Consumption data	44
Technical data	45
Programmable functions	48
Increased drying level	48
Memory	49
Anti-crease	50

Warning and Safety instructions

To avoid the risk of accidents and damage to the machine please read these instructions carefully before using it for the first time. They contain important information on its safety, use and maintenance. Keep these operating instructions in a safe place and ensure that new users are familiar with the content. Pass them on to any future owner of the machine.

Correct use

The tumble dryer is only intended for drying fabrics which have been washed in a water solution, marked on the manufacturer's wash care label as being suitable for tumble drying. "Dry Cleaning Kits" for freshening up garments in a tumble dryer are increasingly available on the market. If using, do so at your own risk and follow the instructions provided on the packaging. Any other applications may be dangerous. The manufacturer is not liable for damage resulting from improper use or operation.

This machine is not a toy! To avoid the risk of injury, do not allow children to play on or near it, or to play with the controls. Supervise its use by the elderly or infirm.

Technical safety

Before setting up the machine check it for any externally visible damage. Do not install or use a damaged machine.

Before connecting the machine, ensure that the connection data on the data plate (fusing, voltage and frequency) matches the mains electricity supply. If in any doubt, consult a qualified electrician.

The electrical safety of this machine can only be guaranteed when continuity is complete between the machine and an effective earthing system which complies with local and national regulations. It is most important that this basic safety requirement is regularly tested, and where there is any doubt the household wiring system should be inspected by a qualified electrician. The manufacturer cannot be held liable for the consequences of an inadequate earthing system (e.g. electric shock).

Do not connect the machine to the mains electricity supply by an extension lead. Extension leads do not guarantee the required safety of the machine (e.g. danger or overheating).

The machine is built in accordance with current safety requirements. Unauthorised repairs could result in unforeseen dangers for the user, for which the manufacturer cannot accept liability. Repairs should only be undertaken by a Miele approved technician.

Ensure current is not supplied to the machine while maintenance or repair work is being carried out.

Faulty components must only be exchanged for Miele original spare parts. Only when these parts are fitted can the safety standards of the machine be guaranteed.

Warning and Safety instructions

■ If the connection cable is faulty it must only be replaced by a Miele approved service technician to protect the user from danger.

■ In the event of a fault or for cleaning purposes, the machine is only completely isolated from the electricity supply when:

- it is switched off at the wall socket and the plug is withdrawn, or
- it is switched off at the mains, or
- the mains fuse is withdrawn.

Operation

■ This equipment is not designed for maritime use or for use in mobile installations such as caravans, aircraft etc. However, it may be suitable for such usage subject to a risk assessment of the installation being carried out by a suitably qualified engineer.

■ This dryer must not be:

- connected to a chimney or vent flue which is in use.
- used without exhaust ducting.
- used without the fluff filter in place or if the fluff filter is damaged in any way.

■ Check all parts of the extraction system on a regular basis (e.g. wall vent, external grille, bends in the ducting etc.) and make sure they are all free of any hindrance. A build-up of fluff will prevent a free-flow of air through the system. If the dryer is to be connected to an existing ducting system this must be checked for suitability beforehand.

■ Adequate ventilation is essential, especially where another appliance which also uses the room air (e.g. gas, oil or coal fired heater, continuous flow or other water heater) is installed in the same or an adjacent room.

To ensure safe operation, and to prevent gases given off by these appliances being drawn back into the room, an underpressure of 0.04 mbar is the maximum permissible. Ventilation can be maintained by air inlets which cannot be blocked, in windows, doors and outside wall vents, or by an automatic window opening arrangement when the tumble dryer is switched on. If in doubt, the advice of a competent builder, or for gas, a "Corgi" installer (in UK) must be sought.

■ The exhaust air must not be vented into a chimney or vent flue which is in use, nor should it be connected to ducting which ventilates rooms with fireplaces. It would be dangerous if smoke or exhaust fumes were drawn back into the room.

■ Do not install the machine in a room where the temperature may drop down to or below freezing. At very cold temperatures the machine may be difficult to start.

■ Always keep the area around the machine free of dust and fluff.

Warning and Safety instructions

■ Always close the door after use.
This way you will avoid the danger of:

- children climbing onto or into the dryer or hiding things in it.
- pets or other small animals climbing into it.

■ Do not let anyone sit or lean on the door, as this can cause the machine to tip up.

■ There is danger of fire with fabrics which:

- contain a large proportion of rubber, foam rubber or rubber like materials.
- have been treated with inflammable cleaning agents.
- have been splashed with hair lacquer, hair spray, nail varnish remover or similar substances.
- contain padding or fillings (e.g. pillows, jackets). If these were damaged the filling could leak out with the risk of igniting in the dryer.
- are soiled with oil or grease.

In countries where there are areas which may be subject to infestation by cockroaches or other vermin, pay particular attention to keeping the machine and its surroundings in a clean condition at all times. Any damage which may be caused by cockroaches or other vermin will not be covered by the machine guarantee.

Using accessories

■ Accessory parts may only be fitted when expressly approved by Miele. If other parts are used, guarantee, performance and product liability claims may be invalidated.

■ The manufacturer cannot be held liable for damage caused by non-compliance with these Warning and Safety instructions.

Disposal of the packing material

The transport and protective packing has been selected from materials which are environmentally friendly for disposal and can normally be recycled.

Ensure that any plastic wrappings, bags etc. are disposed of safely and kept out of the reach of babies and young children. Danger of suffocation!

Rather than just throwing these materials away, please ensure they are offered for recycling.

Disposal of your old machine

Old machines contain materials which can be reclaimed or recycled. Please contact your dealer, your local waste collection centre or scrap merchant about potential recycling schemes.

Ensure that the machine presents no danger to children while being stored for disposal.

Before throwing an old machine away, unplug it and render the plug useless. Cut off the cable directly behind the machine to prevent misuse. This should be done by a competent person.

Energy saving tips

- Make sure that your laundry is thoroughly spun before drying.

The higher the spin, the greater the savings that can be made in energy and time during drying.

- When the ambient temperature is warm (over 25°C) e.g. in summer, select the *Energy save* additional option to reduce energy consumption.
- Load according to the optimum amount of laundry recommended for the programme being used (see Programme chart).

Underloading is uneconomical.

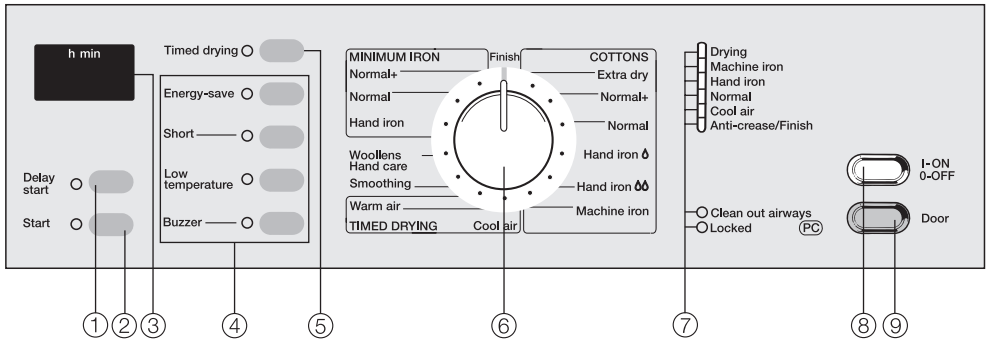
Overloading gives a poorer quality of drying and may cause unnecessary creasing.

- To avoid unnecessarily long drying times and high consumption of energy:
 - Make sure the room in which the dryer is located is well ventilated.
 - Make sure the fluff filter is clean before using the dryer.
 - Check all parts of the ventilation system on a regular basis and remove any build up of fluff etc.
- The vent ducting should be as short, straight and smooth as possible to minimise any resistance to the air throughflow.

This helps to reduce running times and energy consumption levels.

Guide to the appliance

Control panel / Features



① **Delay Start** button

The start of a programme can be delayed by up to 24 hours.

② **Start** button

Press the **Start** button to start a programme.
The indicator lamp will flash to indicate that a programme can be started. It lights up constantly once the programme has started.

③ **Display**

The display fulfills several functions. See next page for details.

④ **Additional option** buttons

Indicator lamps:
on = option selected
off = option not selected
See "How to dry correctly - selecting additional options" for details on these options.

⑤ **Timed drying** button

To select the time required for timed drying with hot or cold air (max. 2 hours).

⑥ **Programme selector**

The programme selector can be turned clockwise or anti-clockwise. The light ring around the programme selector comes on during a programme and goes out a few minutes after it has ended to save energy. It will go out a few minutes after switching on the dryer if a programme has not been selected or if the programme selected is not started.

⑦ **Programme sequence indicator lamps:**

show the drying stage reached;
Check lamps: see "Problem solving guide" for details.

⑧ **I-On/0-Off** button

For switching the machine on and off or to interrupt a programme.

⑨ **Door** button

To open the door / cancel a programme.
Pressing this button will open the door even when the machine is switched off at the mains.
To save energy, the interior drum lighting will go out after a while if the dryer is switched on and the door is left open.

Display

The display shows a variety of functions:

- it displays how long a programme has to run in hours and minutes;
- with "Delay start" it displays the time remaining until the programme starts;
- it displays programmable functions being selected and de-selected.

Time left display for Cottons and Minimum Iron programmes

Once a sensor programme has started the time left for a programme to run will be calculated by the machine. During this calculation period the following bars will flash in the display:

=== ... -== ... == After approx. 1 minute the programme duration will appear in the display and proceed to count down in minutes.

The programme duration can vary each time a programme is run because it is affected by a variety of factors e.g:

- the moisture content after spinning
- the type of textiles
- the quantity of laundry in the drum
- the ambient room temperature
- fluctuations in the electricity supply

The electronic unit adapts to each individual load of laundry. The time remaining for a programme to run shown in the display is calculated constantly during a programme. This means that the time displayed may fluctuate during the programme. If the time remaining in the display has

flashing bars in front of it, this indicates that the programme is about to enter the cooling down phase and is not indicative of a fault.

The time remaining displayed should not be taken as an accurate time measurement. It is an estimate of when your laundry should reach the level dryness you have selected.

Future updates

The indicator lamp marked "PC" is explained in "After Sales Service".

Electronic lock and programmable functions

Electronic lock

Prevents the machine being operated by others.

Programmable functions

Programmable functions enable the machine to be adapted to suit personal requirements.

See the relevant section for detailed instructions.

Notes on laundry care

Wash care labels

Before drying check the drying symbol on the wash care label.

Significance of symbols:

- Dry at normal temperature
- Dry at low temperature
- Do not tumble dry

If no symbol is featured, dry at your own risk applying the following principles:

Cotton and minimum iron items should be dried using the appropriate programme for the degree of drying required. See programme chart.

For delicates and fabrics with the following wash care label dry using the *Low temperature* option.

Never overload the drum. Do not exceed the maximum recommended loads given in the "Programme chart". Overloading can cause unnecessary wear and tear to the laundry, give a disappointing drying result and cause more creasing.

Do not put soaking wet items into the tumble dryer. Spin them thoroughly after washing using the appropriate spin speed.

Tips on drying

Woollens and wool blends tend to become matted and shrink if dried in a tumble dryer. They can, however, be partially dried using the *Woollens hand care* programme.

Items filled with down.

The fabric lining on these garments may shrink depending on the quality. They can be partially dried using the *Smoothing* programme.

Pure linen should only be machine dried if specified as suitable by the manufacturer on the wash care label, as the surface of the fabric may otherwise "roughen". These items can be partially dried using the *Smoothing* programme.

Woven and loopknit materials (e.g. T-shirts, knitted garments) have a tendency to shrink, depending on their quality and this is made worse by over-drying. When purchasing these garments it is advisable to take their shrinkage properties into account.

Minimum iron fabrics and 100% cotton shirts or blouses tend to crease more, the larger the load being dried, particularly when the weave of the fabric is very fine. Reduce the load or use the MINIMUM IRON - *Hand iron* programme with a max. load of 1 kg. If this is unsatisfactory use the Special care "Smoothing" setting, then hang the garments on a hanger to dry.

Starched laundry can be dried in the tumble dryer. In order to achieve the usual finish, double the amount of starch should be used.

New dark coloured garments should be dried separately from light coloured garments to avoid the danger of colours running.

Programme chart

Programmes	Fabric type	Special notes
Drying levels		
COTTONS		maximum load: 5 kg ⁽¹⁾
Extra dry	Multi-layered fabrics, which would not be thoroughly dried using the "Normal +" programme.	Do not dry jersey wear in the Extra dry programme - tendency to shrink.
Normal +	Single and multi-layered fabrics, e.g. mixed load of cotton fabrics (e.g. towelling, jerseywear).	-
Normal ⁽²⁾	Load of similar fabrics (jersey wear, flannelette sheets, towelling).	If laundry is still too damp, then: - finish drying using Timed drying "Warm air". - Use the "Normal +" programme next time.
Hand iron Δ	Cotton or linen fabrics (e.g. table linen, bedlinen, starched laundry etc).	-
Hand iron ΔΔ ⁽²⁾		If laundry is still too damp for hand ironing, then select "Hand iron Δ" in the future.
Machine iron	Cotton or linen fabrics, including starched laundry, for machine ironing.	The laundry should be rolled up to prevent it from drying out before it can be ironed.

⁽¹⁾ Weight of dry laundry

⁽²⁾ Note for test institutes: These programmes are to be used when testing according to EN 61121 standard

Programme chart

Programme	Fabric type	Special notes
Drying levels		
MINIMUM IRON		maximum load: 2.5 kg ⁽¹⁾
Normal +	Minimum iron items which are made of synthetic or blended fabrics (e.g. pullovers, dresses, trousers) which are not dried adequately in the "Normal" programme.	Spin minimum iron fabrics for at least 30 seconds in the washing machine before drying.
Normal ⁽²⁾	Minimum iron shirts, table cloths etc. made of blended fabrics (e.g. cotton/synthetics).	Spin minimum iron fabrics for at least 30 seconds in the washing machine before drying.
Hand iron	Minimum iron shirts, table cloths etc. made of blended fabrics (e.g. cottons and synthetics), which are still to be hand ironed.	Spin minimum iron fabrics for at least 30 seconds in the washing machine before drying. For extra special care of delicate fabrics and to reduce creasing even more, reduce the load to 1 kg. See also "Special care programmes")
TIMED DRYING		maximum load: 5 kg ⁽¹⁾
Warm air	Individual items (e.g. bathing costumes, bath towels, tea-towels). Multi-layered fabric whose layers have different drying characteristics.	-
Cool air	Items which are to be aired only.	-


⁽¹⁾ Weight of dry laundry

⁽²⁾ Note for test institutes: These programmes are to be used when testing according to EN 61121 standard.

Programme chart

Programme	Fabric type	Special notes
Special care programmes		
Woollens hand care		maximum load: 2 kg ⁽¹⁾
	Woollen fabrics	To refresh and fluff up woollen garments quickly. Remove garments immediately at the end of the programme. Do not repeat. Woollen fabrics are not dried completely by this programme.
Smoothing		maximum load: 2.5 kg ⁽¹⁾
	Cottons and linen fabrics. Minimum iron items made of cotton, blended fabrics or synthetics, e.g. cotton trousers, shirts.	Smooths out creasing caused during the spin cycle in the washing machine. Fabrics are not completely dried in this programme. Remove garments immediately at the end of the programme and place on a line or hangers to dry.

⁽¹⁾ Weight of dry laundry

Selecting additional options	
Programme	Additional option button(s)
COTTONS	Energy save, Short, Low temperature, Buzzer
MINIMUM IRON	Energy save, Short, Low temperature, Buzzer
TIMED DRYING - Warm air	Energy save, Low temperature, Buzzer
- Cool air	Buzzer
Woollens hand care	Buzzer
Smoothing	Buzzer
For delicates and fabrics with the following wash care label  select the Low temperature option.	

How to dry correctly

1 Prepare the laundry

- As far as possible, sort laundry for:
 - the type of fibre or weave,
 - the degree of dryness required,
 - similar size of items,
 - the moisture content after spinning.

This will help towards achieving an even drying result.

Fasten duvet covers etc. to prevent small items from being rolled up inside them.

Do up zips, hooks and eyes etc.

Tie fabric belts, apron strings.

Sew in or remove underwiring from bras.

Make sure there is no detergent dispenser ball etc. in with the laundry, as this could melt and damage the machine and the laundry.

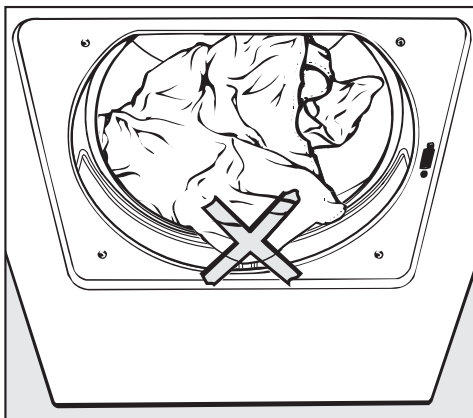
2 Load the drum and switch on the dryer

- Press the door button and open the door.
- Load the laundry loosely into the drum.

Do not overload the drum. Overloading can cause unnecessary wear and tear to the laundry and give a disappointing drying result.

See the "Programme chart" for maximum recommended loads.

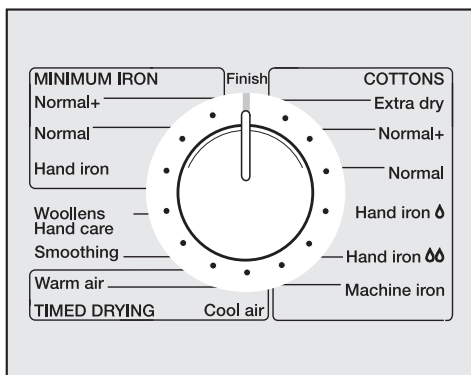
- Before closing the door check that the fluff filter is correctly positioned in the door.



When closing the door make sure items of laundry cannot be trapped by the door, as this will cause damage to the laundry.

- Shut the door either with a gentle swing or lean against it and push it shut.
- Switch the dryer on by pressing the "I-On/0-Off" button.

3 Selecting a programme



- Turn the programme selector to the programme required.

COTTONS and MINIMUM IRON

The length of the programme is electronically calculated according to the residual moisture content of the load. Approx. drying times are given in the "Consumption data" chart.

Woollens Hand care and Smoothing

See the "Consumption data" chart for programme times.

TIMED DRYING

When choosing Warm or Cool air TIMED DRYING you also select the duration of the programme.

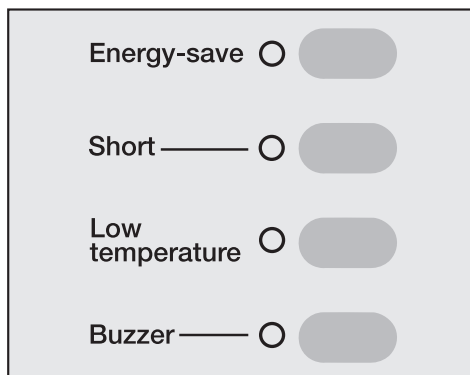
- Press the *Timed drying* button repeatedly until the required time appears in the display.

Times are chosen as follows:

- 15-30 minutes in 5 minute stages
- Above 30 minutes in 10 minute stages.

If the *Timed drying* button is held pressed in, the time will automatically run up to 2 hours and then go back to 15 minutes again.

4 Selecting additional options



- Additional options are selected before starting a programme by pressing the relevant buttons.

It is not possible to activate additional options which are incompatible with the drying programme selected. The indicator light will go out when the option button is released. If an inappropriate combination of options is selected (e.g. "Short" and "Low temperature") only the last option selected will be activated.

Energy save

For reduced energy consumption where ambient temperatures are above 25°C.

Energy consumption can be reduced when the ambient temperature is high and humidity levels are low (e.g. in summer) and the machine is loaded to capacity.

- The programme running time will be extended.


How to dry correctly

Short

For drying fabrics which can withstand high temperatures, e.g. pure linens and cottons. Do not use on minimum iron or delicate fabrics.

- Because the heater rating is increased clothes dry faster thus shortening drying times.

Low temperature

For drying delicate fabrics with the symbol  (e.g. acrylic garments) at a lower temperature.

Because the heater rating is reduced clothes dry more slowly thus lengthening drying times.

Buzzer

An audible tone sounds repeatedly at the end of a programme.

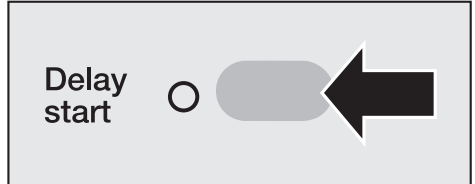
- The buzzer can be switched on or off after a programme has started.

The volume (and pitch) of the buzzer can be adjusted before a programme is started:

- Select the programme.
- Press the "Buzzer" button (the "Buzzer" indicator lamp will light up) until the desired volume / pitch is achieved. Then release the button.

5 Delay start

Once a programme has been selected, the start can be delayed by 30 minutes (**30**) up to 24 hours (**24h**).



- Press the *Delay start* button repeatedly until the required time appears in the display :
 - up to **10h** in 30 minute stages.
 - over **10h** in 1 hour stages.The time will run up to **24h** by keeping the button pressed in.

Press the *Start* button. The chosen time will count down as follows:

- from **24h** to **10h** in 1 hour stages.
- less than **10h** in 1 minute stages.

The dryer starts automatically once the delay start period has elapsed. The time left will appear in the display approx. 1 minute into the programme.

To cancel "Delay start":

Before the *Start* button has been pressed:

- Press the *Delay start* button once when **24h** is showing in the display;

After the *Start* button has been pressed:

- Turn the programme selector to the *Finish* position.

6 Starting a programme

- Press the *Start* button.

The drying cycle begins.

The drying stage reached is shown by the sequence indicator lamps on the right hand side of the control panel.

At the end of the drying phase a cooling down phase commences to cool the laundry down. The *Cool air* indicator lights up.

The required degree of dryness has now been reached.

7 After drying

When the drying programme has finished the *Anti-crease/Finish* indicator lamp and the indicator lamp for the drying stage reached will come on.

D will then appear in the display.

The anti-crease phase will start at the end of the programme, and the drum will continue to rotate at intervals to prevent laundry creasing, if you do not wish to remove it immediately. You can remove the laundry at any time during the anti-crease phase.

The buzzer will sound at intervals during the anti-crease phase if it has been selected.

- Press the *Door* button to open the drum door.
- Remove the laundry.

Make sure that the drum is empty. If items are left in the dryer, they could be damaged by overdrying when the dryer is next used.

- After every cycle remove the fluff from the fluff filter in the door (see "Cleaning and Care").
- After each use, switch the dryer off by pressing the *I-On / O-Off* button.
- Always close the door after use.

Additional notes

... *Clean out airways* indicator lamp

This indicator lamp comes on to warn you that the dryer is not working efficiently.

This may be because:

- the fluff filter in the door is blocked;
- the vent ducting or the ventilation outlet is blocked;
- the vent ducting is very long (see "Installation - venting" for notes on duct length and diameter).

If it is not possible to shorten the vent ducting, the *Clean out airways* indicator lamp will remind you after each drying cycle that the fluff filter needs to be cleaned.

How to dry correctly

Brief instructions

These instructions are designed as a brief guide only. Please make sure that you also read the detailed instructions at the beginning of this section.

1 Sort the laundry

2 Load the dryer and switch it on

- Press the *Door* button to open the door.
- Load the drum.
- Close the door.
- Switch the dryer on by pressing the *I-On/0-Off* button.

3 Select a programme

- Turn the programme selector to the required programme.

For TIMED DRYING (warm or cool air):

- Press the *Timed drying* button repeatedly until the required drying time shows in the display.

Points 4 and 5 are optional.

4 Select any additional options as required

- Press the relevant button for the additional option(s) required.

5 Select Delay start

- Press the *Delay start* button repeatedly until the required delay period shows in the display.

6 Start the programme

- Press the *Start* button

7 At the end of a programme

- The *Anti-crease / Finish* indicator lights up.
- *U* appears in the display.
- Open the door and remove the laundry.
- Press the *I-On/0-Off* button to switch the machine off and close the door.

To change a programme

Programmes cannot be changed after the start button has been pressed. If the programme selector is turned to a different programme after a programme has begun, this will not affect the programme. The *Anti-crease / Finish* indicator lamp will flash. The indicator lamp will go out when the selector is returned to its original position.

After a programme has started, not all additional options can be switched on or off (see section "How to dry correctly").

To interrupt a programme

- Switch the machine off with the *I-On / O-Off* button.

To continue drying:

- Switch the dryer on with the *I-On / O-Off* button.

The programme will continue, as long as the cooling down phase has not been reached.

To cancel a programme and select a different programme

- Turn the programme selector to *Finish*.


The programme has been successfully cancelled when only the *Anti-crease/Finish* indicator lamp is on.

- Turn the programme selector to the required programme.
- Switch additional options on or off as required.

- Press the *Start* button.

Adding or removing items

- Press the *Door* button and open the door.

 Do not touch the back of the drum when adding or removing items. The drum could be very hot - danger of burning.

- Items can now be added or removed early.

To continue drying:

- Close the door.
- Switch additional options on or off as required.
- Press the *Start* button.
 - The programme will continue.
 - The time left shown in the display may now vary from the actual drying time.

Electronic system lock

The system lock prevents anyone from interfering with the dryer.

If the system lock has been activated it is not possible to start a programme.

The following **steps** (1, 2, 3...) must be carried out in the **correct order**.

Please proceed step by step:

To activate the system lock

- 1 Ensure that the door is closed and that the programme selector is turned to *Finish*.
- 2 Switch on the dryer with the *I-On/O-Off* button.
- 3 Press the *Energy save* button and keep it pressed in while carrying out steps 4 to 6.
- 4 Slowly turn the programme selector clockwise stage by stage until it reaches the COTTONS/*Normal* position.
- 5 Slowly turn the programme selector anti-clockwise stage by stage until it reaches the *Finish* position.
- 6 Slowly turn the programme selector anti-clockwise stage by stage until it reaches the MINIMUM IRON/*Hand iron* position.

The *Locked* indicator lamp will flash.

- 7 Release the *Energy save* button.

The system lock is now activated.

- 8 Switch off the dryer with the *I-On/O-Off* button.

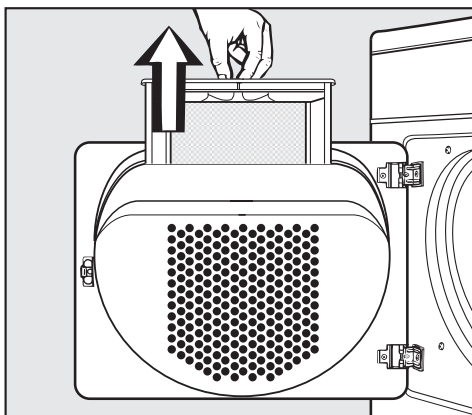
To de-activate the system lock

- Repeat steps 1-7.

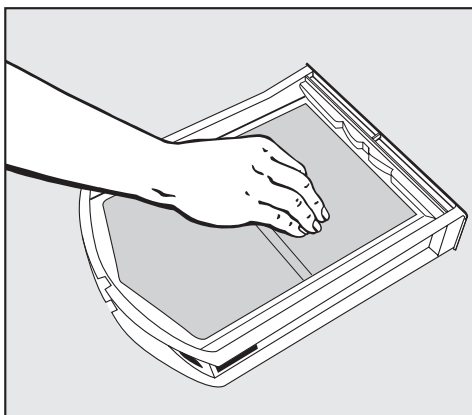
The *Locked* indicator lamp will go out after step 6.

Cleaning the fluff filter

The fluff which is created by the drying process is collected in the fluff filter in the door. Clean the filter after **every** drying cycle.



- Open the door and pull the fluff filter out of the door as illustrated.



- Use your fingers to remove the fluff from the surface of the filter.
- Remove any fluff from the hollow part of the door holder.

A cleaning brush is available as an optional extra from your Miele dealer or the Miele Spare Parts Department.

You can also use a vacuum cleaner.

- Once clean, push the filter back into the door holder until it clicks into position. Ensure it is facing the correct way. Close the door.

If there is a great deal of compacted fluff on the filter, it can be cleaned under hot running water.

- After cleaning shake thoroughly until no more water droplets are visible.
- Dry the filter carefully.
- Push the filter back into the door holder until it clicks into position. Make sure it is the right way round.

Cleaning and care

Tumble dryer

Disconnect the machine from the power supply.

- Clean the housing and control panel with a mild cleaning agent or soapy water.
Clean the drum and other stainless steel parts with a suitable proprietary stainless steel cleaner following the manufacturer's instructions.

Do not use solvents, abrasive cleaners, glass cleaners or all-purpose cleaners. These could damage plastic surfaces and other parts. The machine must never be hosed down.


- Dry all parts with a soft cloth.

E-Cloth

A microfibre "E-Cloth" is available from the Miele UK Spare Parts Department, which is suitable for cleaning surfaces such as stainless steel, glass, plastic and chrome without the use of chemicals. It can be washed 300 times.

Problem solving guide

With the help of the following notes minor faults in the performance of the machine, some of which may result from incorrect operation, can be put right without contacting the Service Department.

 Repair work to electrical equipment should only be carried out by a suitably qualified person in accordance with local and national safety regulations. Repairs and other work by unqualified persons could be dangerous. The manufacturer cannot be held liable for unauthorised work.

General problems

Problem	Possible cause	Remedy
The tumble dryer fails to start when switched on.	No obvious cause.	<ul style="list-style-type: none">– Have you followed the switch-on procedure correctly (see “How to dry correctly”)?– Is the plug correctly inserted in the socket and switched on?– Is the door closed properly?– Has the fuse or circuit breaker tripped?
Items made of synthetic fibres are charged with static electricity after drying.	Synthetic fibres tend to attract static charge.	Static charge can be reduced by adding a fabric conditioner to the final rinse in the washing machine or a fabric conditioner sheet to the load in the dryer.

Problem solving guide

Problem	Possible cause	Remedy
There is a build up of fluff.	Fluff is principally the result of friction when garments are being worn and washed. Machine drying hardly causes any fluff to form and has been established by research institutes to have no effect on the lifetime of fabric.	Fluff is collected by the fluff filters and can be easily removed (see "Cleaning and Care").
The laundry is not sufficiently dry.	The load consisted of different fabrics.	<ul style="list-style-type: none"> – Finish drying using "Timed drying - Warm air". – Select a more suitable drying programme next time (see "Programme chart").
The interior drum lighting does not come on.	The lighting switches off automatically (to save energy).	Switch the dryer off and then on again.
	The lamp needs changing.	Change the lamp as described at the end of this section.
The ring around the programme selector does not light up.	The lighting switches off automatically (to save energy).	It lights up when drying is in progress and goes out shortly after the end of the programme.

Problem solving guide

Problem	Possible cause	Remedy
The drying process goes on too long or even switches off.	Important: Before attempting to remedy one of the following causes, switch the dryer off and switch on again to start the programme again.	
	Ventilation to the dryer is insufficient (e.g because it is installed in a room which is too small).	Open a door or window while the machine is in operation for increased air flow.
	The fluff filter may be blocked.	Remove any fluff.
	The laundry has not been spun sufficiently.	Make sure that your laundry is thoroughly spun at highest spin speed for the type of fabric.
	The tumble dryer has been overloaded.	Do not exceed the maximum load for the programme selected.
	Metallic components, e.g. zips have prevented the dryer from registering the correct moisture level in the laundry.	<ul style="list-style-type: none"> – Close zips and fasten any hooks next time. If the problem occurs again, dry garments with long zips using "Timed drying - Warm air".
	The vent ducting or the ventilation outlet is blocked;	<ul style="list-style-type: none"> – Check all parts of the extraction system on a regular basis (e.g. wall vent, external grille, bends in the ducting etc.) and make sure they are all free of any hindrance. – Remove any fluff.

Problem solving guide

Check indicator lamps


Problem	Possible cause	Remedy
The "Locked" indicator lamp flashes when the machine is switched on and the programme cannot be started.	The system lock is activated.	If you wish to use the dryer, the system lock must be deactivated (see "Electronic system lock").
The "Clean out airways" indicator lamp comes on .	The fluff filter in the door is blocked.	Clean the fluff filter (see "Cleaning and care").
	The vent ducting or the ventilation outlet (e.g. window or wall vent) is blocked.	Check all parts of the extraction system on a regular basis (e.g. wall vent, external grille, bends in the ducting etc.) and make sure they are free of any hindrance. Remove any fluff.
	Ventilation to and from the dryer is insufficient (e.g. in a small room)	Open a door or window while drying for increased air flow.
		The check lamp will go out when the door is opened.
The "Clean out airways" indicator lamp is still on after the fluff filter has been cleaned.	The vent ducting is very long.	See "Installation - venting" on calculating length and diameter. See also notes in "How to dry correctly". If very long ducting is used then programme times will be longer and energy consumption higher.

Problem solving guide

Problem	Possible cause	Remedy
<p>The programme stops and the "Clean out airways" indicator lamp flashes.</p>	<p>Possible causes and remedies are described above in 'The "Clean out airways" lamp comes on.'</p> <p>No obvious cause.</p>	<ul style="list-style-type: none"> – Switch the dryer off. – Switch the dryer back on and start the programme again. <p>If the programme stops again and the "Clean out airways" indicator lamp flashes, there is a fault. Contact the Miele Service Department.</p>
<p>The "Anti-crease/Finish" indicator lamp flashes while drying is in progress.</p>	<p>The programme selector was moved after the beginning of a programme. The programme continues to run as normal.</p>	<p>Turn the selector back to the original position and the lamp will go out.</p>
<p>The programme is interrupted and the indicator lamp "Machine iron" or "Hand iron" flashes and the buzzer sounds.</p>	<p>There is no obvious cause.</p>	<ul style="list-style-type: none"> – Switch the dryer off. – Switch the dryer back on and start the programme again. <p>If the programme stops again and an indicator lamp flashes, there is a fault. Contact the Miele Service Department.</p>

Problem solving guide

Check and fault indicator messages in the display

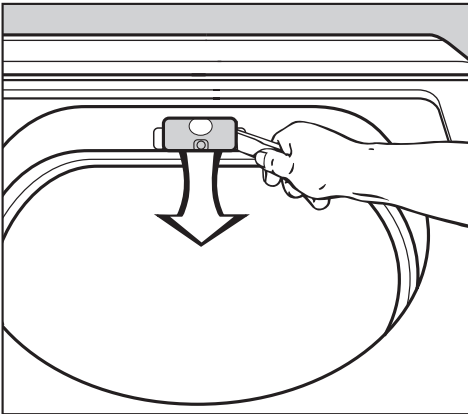
Problem	Possible cause	Remedy
<p>After the beginning of the programme the following symbols flash in the display: "=== ... -== ... == ...".</p>	<p>This is not a fault.</p>	<p>The electronic unit is calculating the drying time for the programme (see "Guide to the appliance").</p>
<p>The programme has been stopped, the <i>Anti-crease/Finish</i> lamp comes on, and  appears in the display.</p>	<p>This is not a fault.</p> <p>The electronic unit has recognised that there is no laundry in the drum and cancelled the programme.</p> <p>Drying individual garments or items which are already dry can also cause the programme to be stopped.</p>	<p>Use the "Timed drying - Warm air" programme to dry individual items.</p> <p>Before changing a programme: Open and close the drum door.</p>
<p>Shortly before the end of the programme, the count down of the time left to run halted at 5. Horizontal bars flash but the dryer continues to dry.</p>	<p>This might be because:</p> <ul style="list-style-type: none"> – items of laundry may have rolled up together. – the types of fabrics being dried may take different times to dry. – The fluff filter may be blocked. – the temperature in the room may have changed. 	<p>The drying process is not yet complete. The programme needs more time than the electronic unit calculated at the start of the programme. The time count down is suspended until the degree of drying selected has been reached.</p>

To change the interior drum lamp

- Open the door.

Before changing the lamp, disconnect the machine from the mains power supply.

You will find the interior lamp cover at the top of the drum aperture.



- Insert the opener under the side edge of the cover as illustrated.
- Turn your wrist to make the cover open downwards.

The temperature resistant lamp should only be ordered from your Miele dealer or the Miele Spare Parts Department.

The lamp must not exceed the maximum wattage quoted on the data plate and on the lamp cover.

- Replace the lamp.

- To close the flap push it upwards and press it on the left and right until you hear it click into position.

The cover must be fixed securely, as otherwise moisture may seep in and cause a short circuit.

Problem solving guide

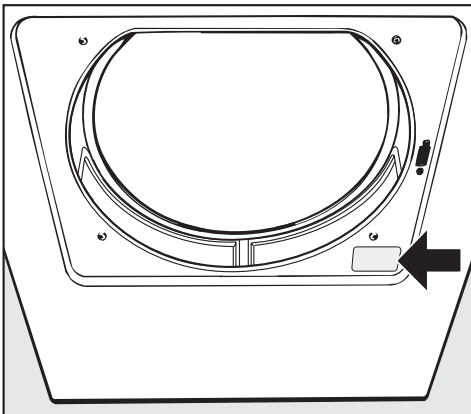
After sales service

Repairs

In the event of any faults which you cannot remedy yourself, please contact

- Your Miele Dealer or
- The nearest Miele Service Department (see back cover for address).

When contacting the Service Department, please quote the Model and Serial numbers both of which are located on the data plate situated on the right hand side below the drum aperture.



Please note that telephone calls may be monitored and recorded to improve our service.

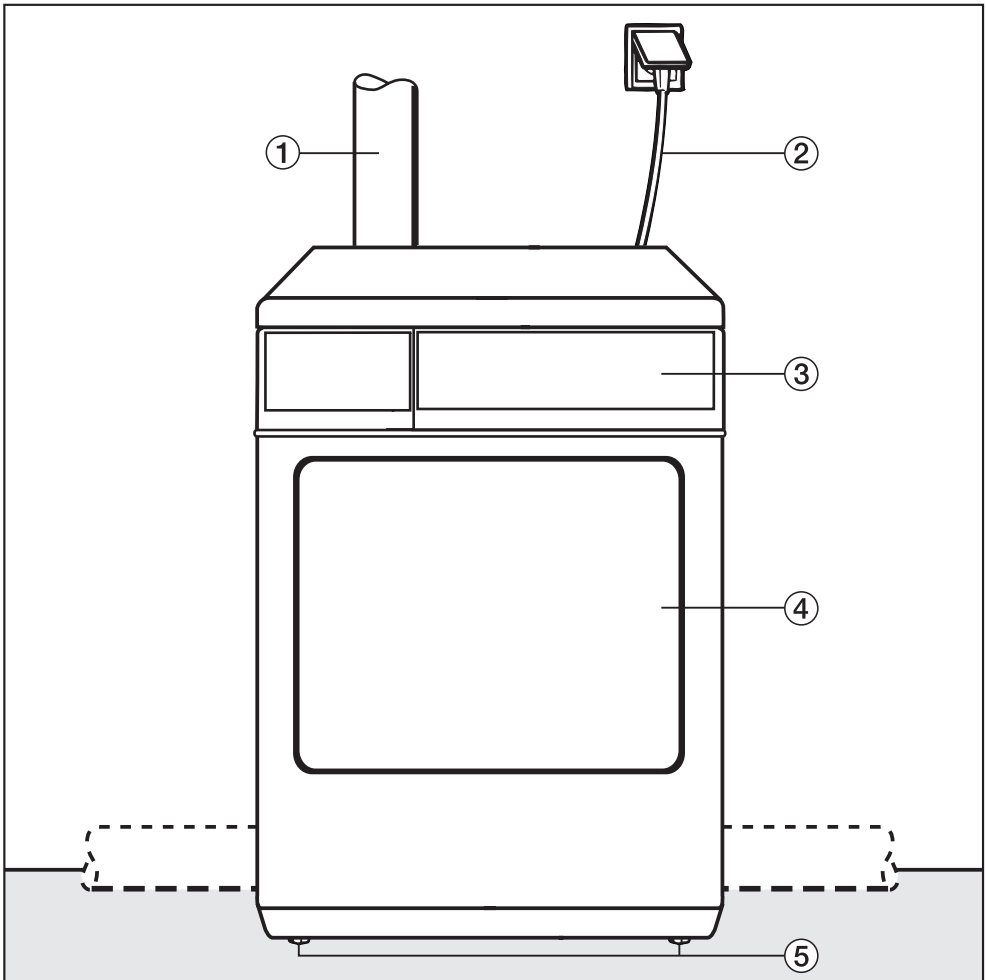
Future updates (PC)

The indicator or check lamp marked PC on the fascia panel is the interface used by the Miele service technicians during service work for testing purposes and for updating the machine's programme data.

Optional accessories

Optional accessories for these dryers are available from your Miele Dealer or from the Miele Spare Parts Department.


Front view



- ① Venting connection: rear, right or left (supplied with the rear socket open)
- ② Supply cable for electrical connection
- ③ Control panel
- ④ Door
- ⑤ Four height-adjustable screw feet

Installation

Installation site


 Make sure the dryer door can be opened without hindrance after installation.

Transporting the machine to its installation site

When moving the machine you can hold it by the lid where it protrudes to the rear of the dryer. To manoeuvre the dryer out of its packing case to its installation site you will also need to hold it by the front feet.

Building under a continuous worktop / in a kitchen run

The space required by the vent duct must be taken into consideration when calculating the distance between the machine and a wall or other machines or furniture on either side.

 A **building under kit*** is required which must be fitted by a suitably qualified person. The machine lid is replaced by a coverplate. It is essential that the coverplate is fitted to ensure electrical safety.

- When installing under a 900/910 mm high worktop a spacer kit* is required.
- Flat ducting* is required if there is not enough space for a ventilation ducting hoses or pipes.
- The electrical socket must be located in an accessible position near the machine.

* Available as an optional accessory from your Miele dealer or the Miele Spare Parts Department.

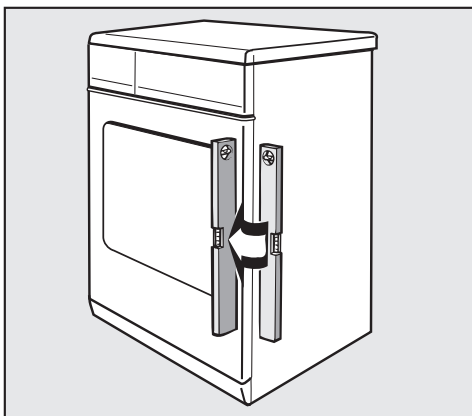
The building under kit is supplied with its own installation instructions.

N.B. When built under drying times may be longer.

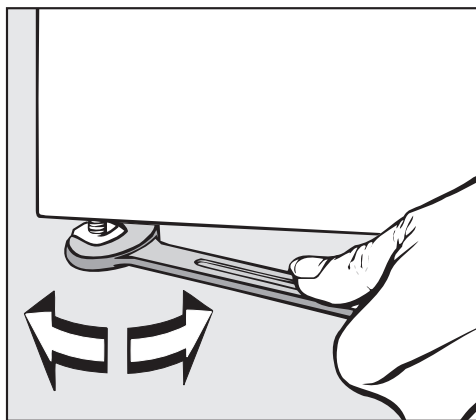
Replacing the lid

If the lid has been removed in order to fit a cover plate, ensure that, if the lid is replaced, it fits securely into the rear holders. Otherwise, it is not properly secure for transport.


Aligning the machine



The machine must be perfectly level to ensure safe and proper operation.




- The screw feet can be adjusted to compensate for any unevenness in the floor.

 A ventilation gap of 10 mm must be maintained between the base of the machine and the floor. It must not be blocked by deep pile carpets, plinths, etc as this would prevent a sufficient intake of air.

Washer-dryer stack

The tumble dryer can also be combined with a Miele washing machine in a washer-dryer stack. To do this the appropriate stacking kit* (WTV) to match your washing machine is required.

* Available as an optional accessory from your Miele dealer or the Miele Spare Parts Department.

 Stacking kits must only be installed by suitably qualified fitters.

Electrical connection

Electrical connection U.K.

All electrical work should be carried out only by a suitably qualified and competent person, in strict accordance with national and local safety regulations.

Ensure power is not supplied to the machine while installation work is being carried out.

The machine is supplied with a mains cable with moulded plug for connection to a 230-240V mains supply. **The voltage, rated load and fuse rating are given on the data plate.** Please ensure these match the household mains supply.

Connection should be made via a fused plug and suitable switched socket which is easily accessible after installation.

For extra safety it is advisable to install a residual current device (RCD), with a trip current of 30 mA (in accordance with DIN VDE 0664, VDE 0100, section 739).

Do not connect via an extension lead.

Important

The wires in the mains lead are coloured in accordance with the following code:

Green/yellow = earth

Blue = neutral

Brown = live

Electrical connection U.K. Non-rewireable plugs BS 1363

If this machine is fitted with a non-rewireable plug and the socket outlets are not suitable for the plug supplied or if the existing plug needs to be replaced by a new one, the old plug will need to be cut off and an appropriate plug fitted. The fuse carrier and the fuse should be removed from the old plug and disposed of.

The plug cut from the cable should then be disposed of and on no account be inserted into any socket elsewhere in the house (electric shock hazard).

The fuse cover must be refitted when changing the fuse, and if the fuse cover is lost, the plug must not be used until a suitable replacement is obtained. The colour of the correct replacement cover is that of the coloured insert in the base of the plug, or the colour that is embossed in words on the base of the plug (as applicable to the design of plug fitted).

Replacement fuses should be ASTA approved to BS 1362 and have the correct rating. Replacement fuses and fuse covers may be purchased from your local electrical supplier.

If the colours of the wires in the mains lead of this machine do not correspond with the coloured markings identifying the terminals of your plug, proceed as follows:

- The wire which is coloured green and yellow must be connected to the terminal in the plug which is marked with the letter E or by the earth symbol \perp or coloured green, or green and yellow.
- The wire which is coloured blue must be connected to the terminal in the plug which is marked with the letter N or coloured black.
- The wire which is coloured brown must be connected to the terminal in the plug which is marked with the letter L or coloured red.

**WARNING: THIS APPLIANCE
MUST BE EARTHED**

Installation - venting

General

Important

Before operating the tumble dryer, a suitable ducting system must be installed to carry the moist air from the dryer to the outside.

This can be: . . .

. . . flexible ducting hose, or plastic piping connected to the dryer, or
. . . or the dryer may be connected directly to the wall vent.

- Before installing the ducting system, ensure that the machine is not connected to the power supply.
- The ducting outlet (e.g. wall pipe) should be installed in such a way that the moist expelled air . . .
 - . . . cannot be drawn back into the room in which the dryer is installed;
 - . . . cannot cause any damage to the building or other nuisance.
- Adequate ventilation is essential as the dryer uses the room air. Ventilation can be maintained by:
 - an open window;
 - an air inlet which cannot be blocked in windows, doors and outside wall vents;
 - a window switch which prevents the dryer being used when the window is closed.

Avoid:

- very long ducting systems
- too many bends or corners; tight corners;

Otherwise the drying result will be less effective and it will take longer and use more energy.

Suitable materials

- for the ventilation ducting:
flexible ducting* or plastic piping with a diameter of at least 100 mm.
- for venting to the outside:
a wall pipe kit* or a window vent kit*.

* Available from your Miele dealer or the Miele Spare Parts Department.

Procedure

- First measure the duct length required. Calculate the effective duct length and establish the internal duct diameter required (use the tables on the next page).
- Then decide which type of ducting you want to use (see "Venting systems" in this section).

Calculating the effective duct length:

Friction against the inner walls of the ducting will slow down the expelled air as it passes through. An elbow, bend, non-return flap or wall vent creates more friction than a straight duct. The friction created by each of these is expressed as an **additional duct length factor**. The additional length factors are calculated by comparing the friction created by, for example, an elbow to that created by 1 metre of straight plastic piping (Table I).

The additional duct length factor for each item needs to be added together to ascertain the **effective duct length** required.

A larger **internal duct diameter** also helps reduce friction. If the effective duct length is **more than 20 m** the duct diameter should be increased (Table II).

1. To calculate the effective duct length required:

- First measure the distance which will require straight ducting. Multiply this amount by the corresponding additional duct length factor in **Table I**.
- Establish the number of angles, bends etc. necessary and add their additional duct length factors together with the help of **Table I**.
- Add all the additional duct length factors together to get the effective duct length.

2. Internal duct diameter

- Refer to **Table II** for the appropriate duct diameter required.

Table I

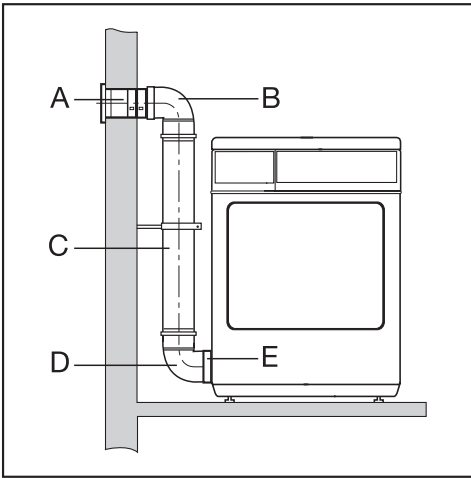
	Additional duct length factor
Flexible ducting*	
– 1 m laid straight	1.8 m
– 45° angle (Bend radius = 0.25 m)	1.5 m
– 90° angle (Bend radius = 0.25 m)	2.5 m
Flexible aluminium vent hose* / plastic piping	
– 1 m laid straight / or 1 m straight pipe	1.0 m
– 45° angle / elbow (Bend radius = 0.25 m)	0.6 m
– 90° angle / elbow (Bend radius = 0.25 m)	0.8 m
Wall vent kit* or window vent kit*	
– with louvred grille	3.8 m
– with non-return flap (hinged flap)	1.5 m
Non-return flap* to be integrated into the vent ducting	14.3 m
Flat ducting (for washer dryer stack)*	11.0 m
Venting connection to the left/right	1.0 m
*optional accessory from Miele	

Table II

Maximum effective duct length allowable	Internal duct diameter required
20 m	100 mm
40 m	125 mm
100 m	150 mm

Installation - venting

3. Example



A	Wall pipe, with louvred vent		
	= 1 x 3.8 m Additional duct length	= 3.8 m	
B/D	2 Elbows, 90°		
	= 2 x 0.8 m Additional duct length	= 1.6 m	
C	0.5 m plastic piping		
	= 0.5 x 1 m Additional duct length	= 0.5 m	
E	Side connection, left		
	= 1 m Additional duct length	= 1.0 m	
	Effective duct length	= 6.9 m	

Result: A duct diameter of 100 mm is adequate as the effective duct length is less than the 20 m specified in Table II.

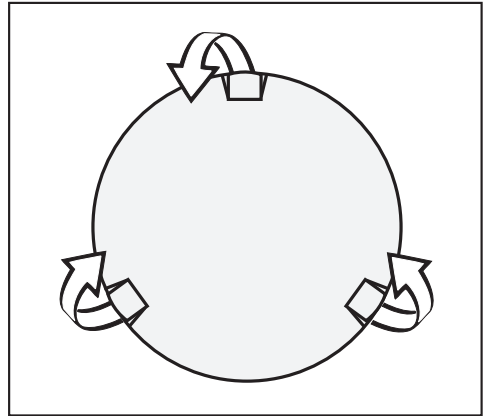
Installation to the left or right side of the machine

At the rear

The connection is opened at the factory.

- Fit one of the venting systems described on the following pages.

Left or right side of the machine



- Remove the left or right hand side cover cap. Do not remove the frame. Refit it in the rear outlet.
- Ensure it is securely in position so that it cannot fall out when the dryer is in operation.
- Fit one of the venting systems described on the following pages.

Venting systems

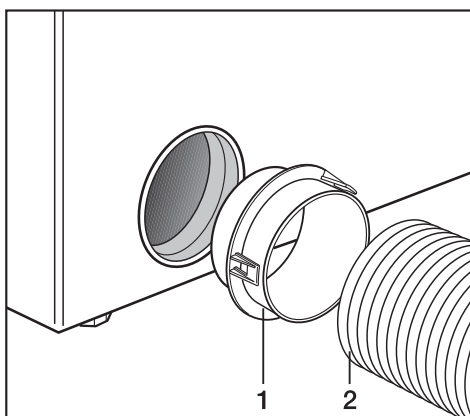
The various venting systems which are possible are described on the following pages.

- Ⓐ Flexible ducting hose
- Ⓑ Plastic piping or galvanised steel piping
- Ⓒ Connecting directly to the wall vent

Ⓐ Flexible ducting hose

This is a simple, cost effective method of directing the moist air outside. The adapter is fitted into the vent opening on the dryer and the ducting hose is then connected to the adapter.

- The following items are required:
 - ... flexible ducting hose
 - ... a wall vent kit* or window vent kit*.
- * (Miele optional accessory).

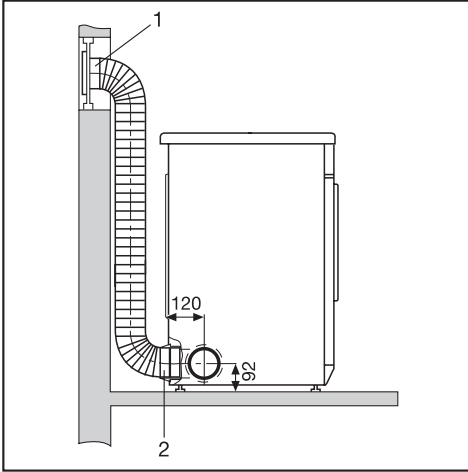


- Fit adapter (1) into the vent opening on the dryer
- Connect vent hose (2).
- Installation examples are shown on the next page.

Installation - venting

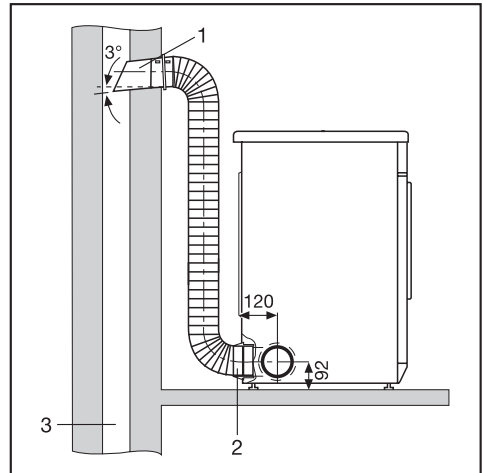
Installation examples - venting system with flexible ducting

Window vent



1. Window vent kit (fitted in a "plexiglass" pane)
(separate fitting instructions are supplied with the Miele window vent kit)
2. Adapter for flexible hose

Connection to an exhaust flue



1. Pipe with connection piece
(= supplied with the Miele wall vent kit)
2. Adapter for flexible hose
3. Exhaust flue insulated against damp

⚠ The ducting must not be vented into a chimney or vent flue which is in use, nor should it be connected to ducting which ventilates rooms with fireplaces.

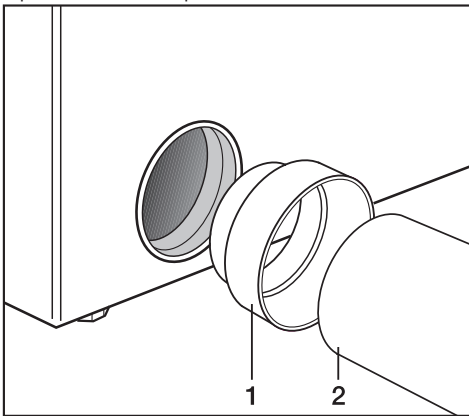
Ⓑ Venting system with plastic piping

Plastic piping is a good option where the vented air has to be ducted for some distance. The smooth walls of the pipe create less friction for the vented air than the walls of a flexible vent hose, for example. Time and energy consumption are better with plastic piping.

The following items are required:

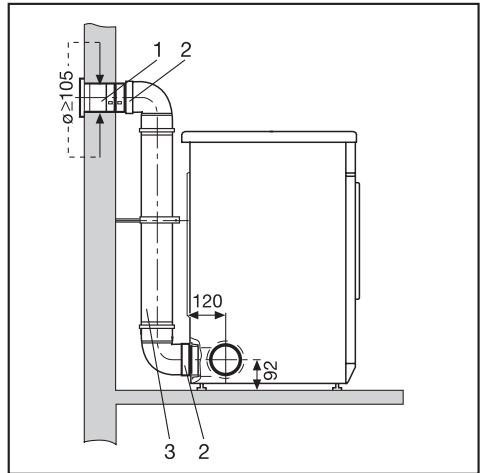
- An adapter* (Ø 100 mm).
- a wall vent kit* or window vent kit*.
- Suitable piping (Ø 100 mm) is available from your dealer or builders merchants. Where the pipe diameter is more than 100 mm, an adapter is necessary (e.g. from Ø 100 to 125 mm) to connect the pipe to the dryer.

* Available as an optional accessory from your Miele dealer or the Miele Spare Parts Department.



- The ducting (2) is connected to adapter (1) which is fitted into the vent opening on the dryer.

Example



1. Wall vent kit
(Separate fitting instructions are supplied with the Miele wall vent kit).
2. Adapter
3. Plastic piping, diameter DN 100

Installation - venting

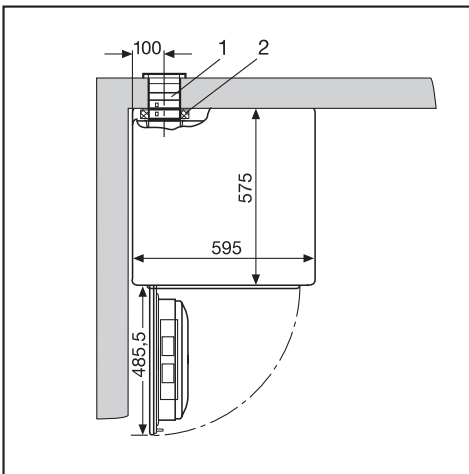
Ⓒ Connecting directly to a wall vent

The best method of venting the dryer is to connect it directly to the outside wall of a room. Time and energy consumption are better with plastic piping. This involves boring through an outside wall.

A wall pipe* and a flexible foam gasket* must be used (* Miele optional accessories).

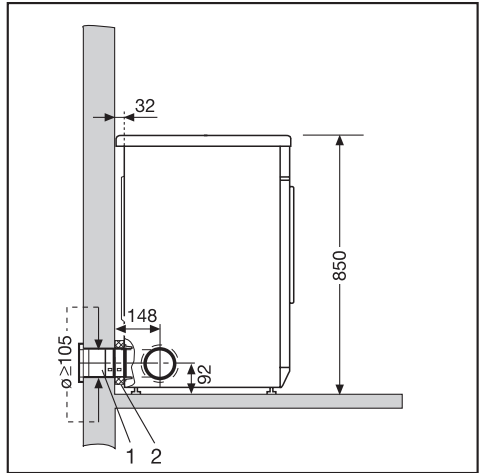
- 1 Before drilling into the wall, . . .
. . . please read the installation instructions supplied with the Miele wall vent kit.
. . . and study the following diagrams.

View from above:

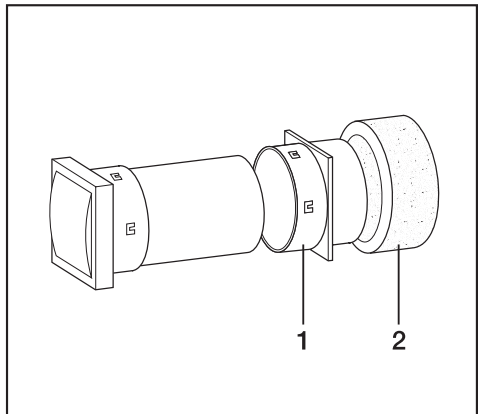


1. Wall pipe
2. Flexible foam gasket

Side view:



1. Wall pipe
2. Flexible foam gasket

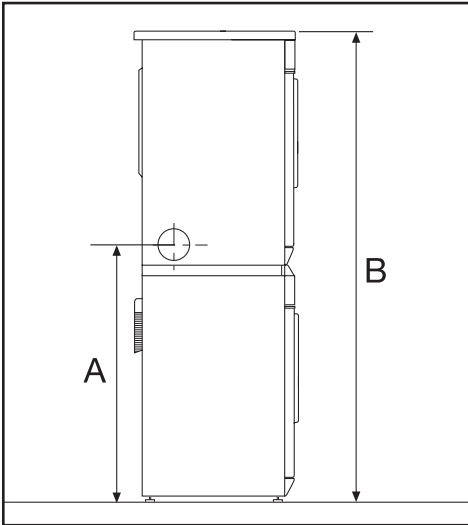


- 2 Fit the foam gasket (2) on the to the connecting piece (1) on the wall pipe.
- 3 Push the dryer up against the wall.

Washer dryer stack

Height of venting outlet for washer dryer stack

Miele washing machine with straight or sloping fascia



Stacking kit* without worktop:

A = 94.2 cm

B = 170.0 cm

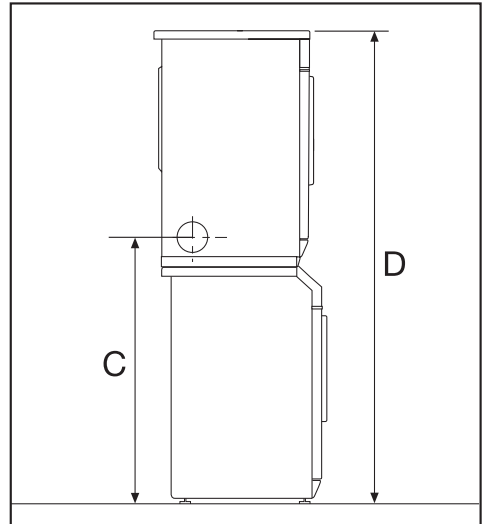
Stacking kit* with worktop:

A = 92.8 cm

B = 168.6 cm

* Miele optional accessories

Miele washing machine with Comfort line angled fascia



Stacking kit* without worktop:

C = 94.2 cm

D = 170.0 cm

Stacking kit* with worktop:

C = 96.0 cm

D = 171.8 cm

* Miele optional accessories

Consumption data

Programme	Capacity	Final spin speed (in a domestic washing machine)	Electricity consumption	Drying time incl. cooling down time
	kg	rpm	kWh	Minutes
COTTONS				
Extra dry	5.0	1200	3.15	77
		1400	3.00	74
		1600	2.75	68
		1800	2.70	67
Normal +	5.0	1200	2.70	68
		1400	2.60	65
		1600	2.30	59
		1800	2.25	58
Normal ⁽¹⁾	5.0	800 (70 % residual moisture)	3.30	82
Normal	5.0	1200	2.60	65
		1400	2.45	62
		1600	2.20	56
		1800	2.15	55
Hand iron ∆∆ ⁽¹⁾	5.0	800 (70 % residual moisture)	2.60	69
Hand iron ∆∆	5.0	1200	1.90	52
		1400	1.80	49
		1600	1.50	42
		1800	1.45	41
Machine iron	5.0	1200	1.50	42
		1400	1.40	39
		1600	1.15	33
		1800	1.10	31
MINIMUM IRON				
Normal ⁽¹⁾	2.5	1000 (50 % residual moisture)	1.30	36
Hand iron	2.5	1000	1.15	32
Special care				
Woolens hand care	2.0	-	0.20	3
Smoothing	2.5	-	0.30	8

⁽¹⁾ EN 61121 test programme

EN 61121 Standard testing

Before testing in accordance with EN 61121, dry a 3 kg load of cotton laundry with 70% residual moisture as per the above standard using the Normal Cottons programme without selecting any additional functions.

Consumption data can vary from the nominal values given above depending on the size of the load, types of textiles, residual moisture levels after spinning, fluctuations in the electricity supply and any additional options selected.

Technical data

Height	85 cm (adjustable +0.7/-0.7 cm)
Height without lid	82 cm
Depth with door open	106 cm
Width	59.5 cm
Depth	58 cm
Weight	48 kg
Drum volume	100 litres
Maximum capacity	5 kg dry weight
Length of connection cable	1.60 m
Voltage	see data plate
Rated load	see data plate
Fuse rating	see data plate
Lamp wattage	see data plate
Energy consumption	see "Consumption data"
Test certificates awarded	Radio/TV suppressed, VDE

Programmable functions for changing standard settings

Programmable functions

Increased drying level

The Sensitive System aims to dry using as little energy as possible. However, if you require the laundry to be drier, it is possible to reduce the final moisture level in the COTTONS and MINIMUM IRON programmes.

The machine is delivered with this programmable function switched off.

Programming and storing in memory

The programmable functions are activated to call up further features not shown on the control panel by using the additional option buttons in combination with the programme selector.

Before you begin, first ensure that:

- The tumble dryer is switched off.
- The door is closed.
- The programme selector is at *Finish*.

- 1 Press the additional option buttons *Short* and *Low temperature* at the same time, hold pressed in and ...
- 2 ... switch on the dryer with the *I-On/O-Off* button.
- 3 Let go of all these buttons.
 - "P" will appear in the display.
 - The *Drying* and *Cool air* indicator lights will flash.

- 4 Turn the programme selector to **COTTONS, Extra dry**.
- 5 The number of the programmable function will flash alternately with the "P" on the left of the display -
P: P...1...P... 1... .

The number on the right will show constantly:

- 0 = Increased drying level - **off**
- 1 = Increased drying level - **on**

- 6 Press the *Start* button to change the number on the right from
0 to 1 = on or from
1 to 0 = off.

The setting you have selected is now stored in memory.

- 7 Switch the machine off with the *I-On/O-Off* button.

To check:

- Carry out steps 1 to 5.
- Switch off the dryer.

The check is complete.

Memory

The additional options selected previously for specific programmes are stored in the machine's memory.

The machine is delivered with this programmable function deactivated. It can be activated if wished.

Programming and storing in memory

The programmable functions are activated to call up further features not shown on the control panel by using the additional option buttons in combination with the programme selector.

Before you begin, first ensure that:

- The tumble dryer is switched off.
- The door is closed.
- The programme selector is at *Finish*.

- 1 Press the additional option buttons *Short* and *Low temperature* at the same time, hold pressed in and ...
- 2 ... switch on the dryer with the *I-On/O-Off* button.
- 3 Let go of all these buttons.
 - "P" will appear in the display.
 - The *Drying* and *Cool air* indicator lights will flash.

- 4 Turn the programme selector to **COTTONS, Normal**.

- 5 The number of the programmable function will flash alternately with the "P" on the left of the display -
P: P...3...P... 3...

The number on the right will show constantly:

0 = Memory function - **off**

1 = Memory function - **on**

- 6 Press the *Start* button to change the number on the right from
0 to 1 = on or from
1 to 0 = off.

The setting you have selected is now stored in memory.

- 7 Switch the machine off with the *I-On/O-Off* button.

To check:

- Carry out steps 1 to 5.
- Switch off the dryer.

The check is complete.

Programmable functions

Anti-crease

Once a programme has ended, the drum will turn at regular intervals for approx. 60 minutes to prevent the laundry from settling into creases or folds.

The "Anti-crease" function

- is activated as standard when the machine is delivered but can be deactivated if wished.
- it is effective in COTTONS, MINIMUM IRON programmes, and Warm air timed drying.
- if laundry is not normally removed immediately after the end of a programme you should leave it activated.

Programming and storing in memory

The programmable functions are activated to call up further features not shown on the control panel by using the additional option buttons in combination with the programme selector.

Before you begin, first ensure that:

- The tumble dryer is switched off.
- The door is closed.
- The programme selector is at *Finish*.

- 1 Press the additional option buttons *Short* and *Low temperature* at the same time, hold pressed in and ...
- 2 ... switch on the dryer with the *I-On/O-Off* button.

- 3 Let go of all these buttons.
 - "P" will appear in the display.
 - The *Drying* and *Cool air* indicator lights will flash.

- 4 Turn the programme selector to **COTTONS , Hand iron Δ**.

- 5 The number of the programmable function will flash alternately with the "P" on the left of the display -
P: P... 4... P... 4... .

The number on the right will show constantly:

0 = Anti-crease function **off**

1 = Anti-crease function **on**

- 6 Press the *Start* button to change the number on the right from
0 to 1 = on or from
1 to 0 = off.

The setting you have selected is now stored in memory.

- 7 Switch the machine off with the *I-On/O-Off* button.

To check:

- Carry out steps 1 to 5.
- Switch off the dryer.

The check is complete.

**United Kingdom:**

Miele Co. Ltd.
Fairacres, Marcham Road
Abingdon, Oxon, OX14 1TW
tel. Abingdon (01235) 554455
Service Office: (01235) 554466
fax (01235) 554477
Internet: www.miele.co.uk

Ireland:

Miele Ireland Ltd.
Broomhill Road, Tallaght, Dublin 24
Tel: (01) 46 10 710, Fax: (01) 46 10 797
Email: info@miele.ie
Internet: <http://www.miele.ie>

Australia:

Miele Australia Pty. Ltd.
A.C.N. 005635398
1 Gilbert Park Drive
Knoxfield, VIC 3180
Telephone: (03) 9764 7100
Fax: (03) 9764 7129
Internet: www.miele.com.au

Distributor New Zealand:

Steelfort Engineering Company. Ltd.
500 Rangitikei Street
Palmerston North, Priv. Bag 11045, NZ
Telephone: (06) 350 1350
Fax: (06) 356 1507

South Africa:

Miele (Pty) Ltd
63 Peter Place
Bryanston 2194
P.O. Box 69434
Bryanston 2021
Tel.: (011) 548 1900
Telefax (011) 548 1935
Internet: www.miele.co.za
E-mail: info@miele.co.za

Singapore:

Miele Southeast Asia
Miele Pte. Ltd.
163 Penang Road
04 - 02/03 Winsland House II
Singapore 238463
Tel : +65-67351191
Fax: +65-67351161
Email: mielesea@miele.com.sg

Hong Kong:

Miele (Hong Kong) Limited
AIA Plaza, Room 401, 4th Floor
18 Hysan Avenue
Causeway Bay
Hong Kong
Tel.: (852) 2610 1331
Fax: (852) 2610 1013
E-mail: mielehk@netvigator.com

Free Manuals Download Website

<http://myh66.com>

<http://usermanuals.us>

<http://www.somanuals.com>

<http://www.4manuals.cc>

<http://www.manual-lib.com>

<http://www.404manual.com>

<http://www.luxmanual.com>

<http://aubethermostatmanual.com>

Golf course search by state

<http://golfingnear.com>

Email search by domain

<http://emailbydomain.com>

Auto manuals search

<http://auto.somanuals.com>

TV manuals search

<http://tv.somanuals.com>