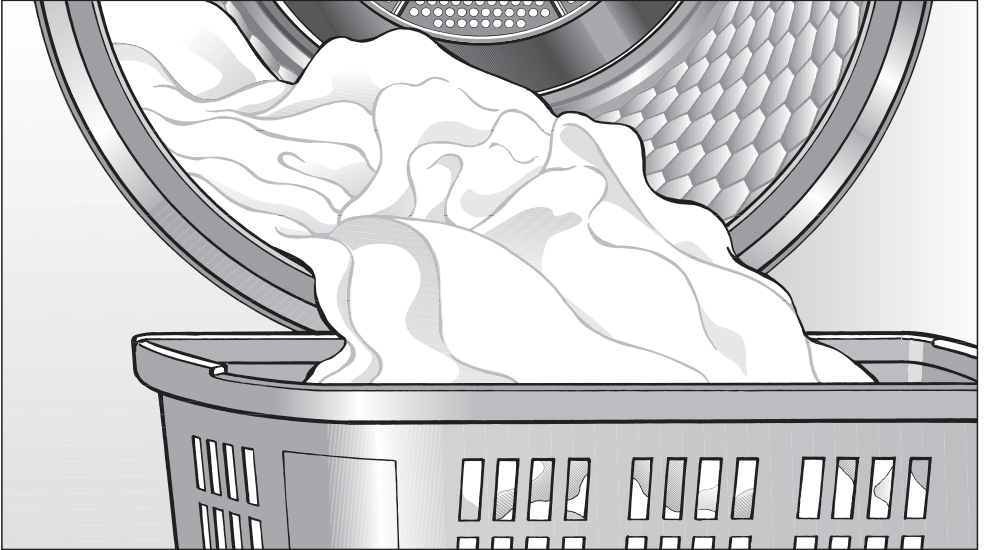


## Operating instructions



## for condenser tumble dryer T 4859 Ci SUPERTRONIC

To avoid the risk of accidents  
or damage to the appliance  
it is **essential** to read these  
instructions before it is installed  
and used for the first time.

en - GB

M.-Nr. 07 737 880

# Caring for the environment

---

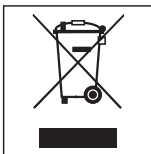
## Disposal of the packing material

The transport and protective packing has been selected from materials which are environmentally friendly for disposal and should be recycled.

Ensure that any plastic wrappings, bags, etc are disposed of safely and kept out of the reach of babies and young children. Danger of suffocation.

## Disposal of your old appliance

Electrical and electronic appliances often contain materials which, if handled or disposed of incorrectly could be potentially hazardous to human health and to the environment. They are, however, essential for the correct functioning of your appliance. Please do not therefore dispose it with your household waste.



Please dispose of it at your local community waste recycling centre or contact your dealer for advice. Ensure that it presents no danger to children while being stored for disposal.

## Energy saving tips

To avoid unnecessarily long drying times and high consumption of energy:

- Make sure that your laundry is thoroughly spun before drying.

The higher the spin, the greater the savings that can be made in energy and time during drying.

- Load according to the optimum amount of laundry recommended for the programme being used (see Programme chart).

Underloading is uneconomical. Overloading gives a poorer quality of drying and may cause unnecessary creasing.


- Make sure the room in which the dryer is located is well ventilated.
- Make sure the fluff filters are clean before using the dryer.
- Check the condenser unit from time to time and clean it when necessary.

<b>Caring for the environment</b> . . . . .	2
<b>Warning and Safety instructions</b> . . . . .	6
<b>Operating the tumble dryer</b> . . . . .	14
Control panel . . . . .	14
Selector sensors . . . . .	15
Structure of the main menu . . . . .	17
<b>Miele@home</b> . . . . .	19
<b>Before using for the first time</b> . . . . .	21
<b>Notes on laundry care</b> . . . . .	23
Garment care label symbols . . . . .	23
Tips on drying . . . . .	23
<b>1. Sort the laundry and loading the drum</b> . . . . .	24
<b>2. Select a programme</b> . . . . .	25
<b>3. Start the programme</b> . . . . .	28
<b>4. Programme end - unload the drum</b> . . . . .	30
<b>Extras</b> . . . . .	31
Short . . . . .	31
Low temperature . . . . .	31
<b>Favourite programmes</b> . . . . .	32
<b>Programme chart</b> . . . . .	34
<b>Cleaning and care</b> . . . . .	39
Emptying the condensed water container . . . . .	39
Cleaning the fluff filters . . . . .	40
Cleaning them whilst dry . . . . .	40
Cleaning them with water . . . . .	41
Cleaning the tumble dryer . . . . .	42
Cleaning the condenser unit . . . . .	43
Removing the condenser unit . . . . .	43
Checking the condenser unit . . . . .	44
Cleaning the condenser unit . . . . .	44
Replacing the condenser unit . . . . .	45
<b>Problem solving guide</b> . . . . .	46
Check and fault messages in the display . . . . .	46
An unsatisfactory drying result . . . . .	48
Other problems . . . . .	49
Changing the lamp . . . . .	51

# Contents

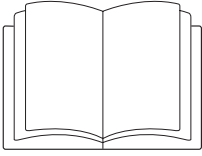
---

<b>After Sales service</b> . . . . .	52
Repairs . . . . .	52
Future updates (PC) . . . . .	52
Appliance guarantee . . . . .	52
Optional accessories . . . . .	52
<b>Installation and connection</b> . . . . .	53
Front view . . . . .	53
Installation site . . . . .	54
Building under a continuous worktop / in a kitchen run . . . . .	54
Levelling the appliance . . . . .	55
Room ventilation . . . . .	55
Washer-dryer stack . . . . .	55
Before moving the tumble dryer again (e.g. when moving house) . . . . .	55
Matching the fascia panel to the height of adjacent drawer fronts . . . . .	56
Removing the spacer bars . . . . .	56
Fitting the front panel . . . . .	57
Front panel dimensions . . . . .	57
Fitting the front panel . . . . .	57
Fitting a door front panel made by another manufacturer . . . . .	58
Preparing the front panel . . . . .	58
Preparing the fixing points . . . . .	59
Fitting a plinth facing . . . . .	60
External condensed water outlet . . . . .	61
Arranging the drain hose . . . . .	61
External drainage via a sink or gully . . . . .	62
Installation conditions requiring a non-return valve . . . . .	62

<b>Electrical connection</b> .....	64
Electrical connection U.K. ....	64
<b>Consumption data</b> .....	65
<b>Technical data</b> .....	66
<b>Settings menu</b> .....	67
Open the Settings menu .....	67
Language  .....	67
Time .....	68
Drying levels .....	68
Extended cool down .....	69
Airways indicator .....	69
Code .....	70
Buzzer .....	72
Keypad tone .....	72
Brightness .....	72
Contrast .....	72
Display / keypad illumination .....	72
Memory .....	73
Anti-crease .....	73

# Warning and Safety instructions

---



► It is **essential** to read these instructions.

This tumble dryer conforms to current safety requirements. Inappropriate use can, however, lead to personal injury and damage to property.

To avoid the risk of accidents and damage to the tumble dryer, please read these instructions carefully before using it for the first time. They contain important information on its safety, installation, use and maintenance.

Keep these instructions in a safe place and ensure that new users are familiar with the content. Pass them on to any future owner.

## Correct application

► This tumble dryer is not designed for commercial use. It is intended for use in domestic households and similar working and residential environments.

► The tumble dryer is not intended for outdoor use.

► It must only be used as a domestic appliance to dry items which have been washed in a water solution and which are marked on the manufacturer's care label as being suitable for tumble drying. If using dry cleaning kits, do so at your own risk, and follow the instructions provided on the packaging.

Any other usage is not supported by the manufacturer and could be dangerous. Miele cannot be held liable for damage resulting from incorrect or improper use or operation.

## Warning and Safety instructions

---

▶ The tumble dryer can only be used by people with reduced physical, sensory or mental capabilities, or lack of experience or knowledge, if they are supervised whilst using it or have been shown how to use it in a safe way and understand the hazards involved.

### **Safety with children**

▶ Children under 8 years of age must be kept away from the tumble dryer unless they are constantly supervised.

▶ Children 8 years and older may only use, clean or maintain the tumble dryer without supervision if they have been shown how to do so in a safe way and understand the hazards involved.

▶ The tumble dryer is not a toy! To prevent the risk of injury, do not allow children to play with it or near it, or to play with the controls.

# Warning and Safety instructions

---

## Technical safety

▶ Before setting up the tumble dryer, check it for any externally visible damage.

Do not install or use a damaged tumble dryer.

▶ Before connecting the tumble dryer, ensure that the connection data on the data plate (voltage and frequency) match the mains electricity supply. If in any doubt, consult a qualified electrician.

▶ The electrical safety of this tumble dryer can only be guaranteed when correctly earthed. It is most important that this basic safety requirement is observed and regularly tested, and where there is any doubt, the household wiring system should be inspected by a qualified electrician. Miele cannot be held liable for the consequences of an inadequate earthing system (e.g. electric shock).

▶ Do not connect the tumble dryer to the mains electricity supply by an extension lead. Extension leads do not guarantee the required safety of the tumble dryer (e.g. danger of overheating).

▶ If the electrical connection cable is faulty it must only be replaced by a Miele approved service technician to protect the user from danger.

▶ Unauthorised repairs could result in unforeseen dangers for the user, for which Miele cannot accept liability. Repairs should only be undertaken by a Miele approved service technician, otherwise any subsequent damage will not be covered by the guarantee. Ensure current is not supplied to the tumble dryer until after maintenance or repair work has been carried out.



## Warning and Safety instructions

---

- ▶ Faulty components must only be replaced by genuine Miele original spare parts. Only when these parts are fitted can the safety standards of the tumble dryer be guaranteed.
- ▶ The tumble dryer must be isolated from the electricity supply in the event of a fault and during cleaning and maintenance.
- ▶ The tumble dryer must not be used in a non-stationary location (e.g. on a ship).
- ▶ Do not make any alterations to the tumble dryer, unless authorised to do so by Miele.
- ▶ In areas which may be subject to infestation by cockroaches or other vermin, pay particular attention to keeping the tumble dryer and its surroundings in a clean condition at all times. Any damage which may be caused by cockroaches or other vermin will not be covered by the guarantee.

# Warning and Safety instructions

---

## Correct use

- ▶ To prevent the risk of fire, the following textiles must not be dried in this appliance:
- items which have not been washed.
  - items, such as workwear, which have not been thoroughly cleaned and which are still soiled with grease, oil or other deposits (such as cosmetics, lotions etc).  
If items have not been thoroughly cleaned there is a danger that these might self-ignite when heated, even after they have been removed from the dryer at the end of the programme.
  - items (e.g. mops and floor cloths) which have been treated with inflammable cleaning agents or which contain residues of acetone, alcohol, benzine, petrol, kerosene, stain remover, turpentine, wax and wax remover or other chemicals.
  - items which have been splashed with hair lacquer, hair spray, nail varnish remover or similar substances.

When washing such heavily soiled items, ensure that you use additional detergent and select a high temperature. If in doubt, wash the items several times.

- ▶ Remove all items such as lighters and matches from pockets.
- ▶ **Warning:** Do not switch the tumble dryer off before the drying programme has finished. If this is done, the laundry must be hung up or spread out to cool it down.

## Warning and Safety instructions

---

### ► Danger.

This tumble dryer must not be connected to a controllable socket (e.g. a timer switch or a peak load shut-off device).

If the dryer programme were to be interrupted before the end of the cooling down phase, the laundry could self-combust.

### ► To prevent the risk of fire, the following must not be tumble dried:

- items which have been cleaned using chemicals (e.g. professional dry-cleaning agents).
- fabrics which contain a large proportion of rubber, foam rubber or rubber-like materials. For example, products made from latex foam rubber, shower caps, waterproof textiles, rubberised articles and items of clothing and pillows with foam rubber filling.
- damaged items which contain padding or fillings (e.g. pillows, jackets). When damaged, the filling can get out with the risk of igniting in the dryer.

► In many programmes, the heating phase is followed by a cooling down phase to ensure that the items are not too hot to handle when you remove them (this also avoids the danger of the laundry self-igniting). The programme is not finished until the cooling down phase has been completed.

As soon as the programme has finished, remove all laundry from the drum.

► Fabric conditioner and similar products must be used according to the instructions on the manufacturer's packaging.

► Do not let anyone sit or lean on the door, as this can cause the tumble dryer to tip up.

► Always close the door after use. This way you will avoid the danger of:

- children climbing into the dryer or hiding things in it.
- pets or other small animals climbing into it.

## Warning and Safety instructions

---

- ▶ The dryer must not be used without the fluff filters in place or if the fluff filters are damaged in any way.
- ▶ The fluff filters must be cleaned regularly.
- ▶ The dryer must not be used without the condenser unit in place.
- ▶ The fluff filters must be thoroughly dried after cleaning. Damp or wet filters could cause operational faults.
- ▶ Do not install the tumble dryer in a room where there is a risk of frost occurring. At temperatures around freezing point the tumble dryer may not be able to operate properly. There is a risk of damage if the condensed water is allowed to freeze in the pump and in the drain hose. The ambient room temperature should be between +2°C and +35°C.
- ▶ If the water is drained externally instead of being collected in the condensed water container, make sure the drain hose is securely attached if you hang it in a sink or basin to avoid the hose slipping and the water causing damage.
- ▶ Condensed water is not drinking water. It can cause health problems in both people and animals.
- ▶ Always keep the area around the tumble dryer free of dust and fluff. Dust drawn into the tumble dryer can cause blockages in the condenser unit over time.
- ▶ The tumble dryer must not be hosed down.

## Accessories

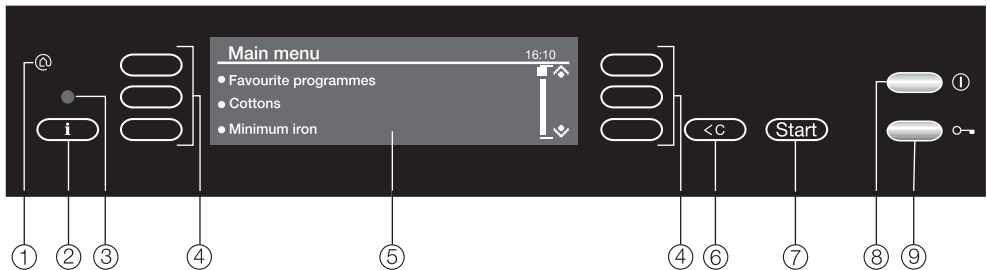
► Only use genuine Miele original spare parts and accessories with this tumble dryer.

If non-Miele parts are used, guarantee, performance and product liability claims may be invalidated.

Miele cannot be held liable for damage caused by non-compliance with these Warning and Safety instructions.

# Operating the tumble dryer

## Control panel



### ① Miele@home

Symbol for Miele@home enabled appliance

### ② Information sensor **i**

The sensor lights up when information about the menu in the display is available.

### ③ Service interface

This is used by service technicians to run diagnostic checks on your machine, or to update programming data in the future.

### ④ Selector sensors

A sensor is active when it is lit up. See next page for more information.

### ⑤ Display

For showing:

- the functions selected
- the programme sequence
- information
- error messages
- the time of day
- the position of an entry using the scroll bar

### ⑥ Clear sensor <C

- For returning to the previous menu.
- For returning to the main menu when touched twice.
- For deleting the values set previously.
- For cancelling the programme.

### ⑦ Start sensor

The programme selected is started by touching this sensor when it is illuminated green.

### ⑧ **⏻** button

For switching the dryer on and off. To save energy the dryer will switch off automatically 15 minutes after the end of the programme/anti-crease phase or 15 minutes after the dryer is switched on if it is not operated.

### ⑨ **🔒** button

For opening the door. The dryer does not need to be switched on at the mains.

## Selector sensors

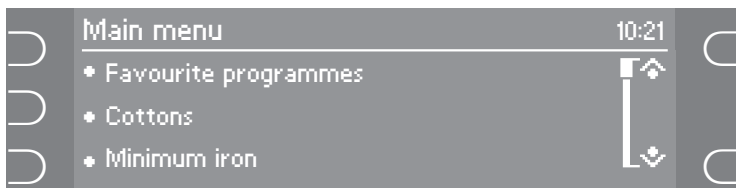
The selector sensors are on the left and right of the display. They light up when they are active. The selector sensors are used for the following:

### Selecting an option

A dot (•) next to an option indicates that it can be selected. The selector sensor on the left is active when the dot (•) is in front of the word, the selector sensor on the right is active when the dot (•) is behind the word or symbol.

### Scrolling through the menus

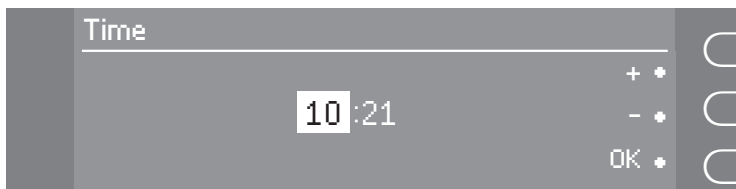
If the menu lists more options than are visible in the display, a scroll bar will appear on the right to show the position in the list:



The sensors on the right can be used to scroll up or down the list. Each touch of the sensor will move the list up or down one line.

A dotted line will appear under the last option in the list.

### Changing a value in the display



Use the + and - sensors on the right to alter the value highlighted. Once altered confirm the value with the **OK** sensor at the bottom right hand side.

# Operating the tumble dryer


## Favourite programmes

You can save up to ten of your own customised programmes under names of your choice.

## Drying assistant

This helps you find the correct wash programme. The drying assistant guides you step by step so that you can select the best programme for the fabrics and garments you want to dry.

## Settings menu














The *Settings* menu  is used to alter the tumble dryer's electronics to suit different requirements. See "Settings menu" for more details.

## Information sensor **i**

The Information sensor **i** will light up if information about an option is available. Touch the sensor if you want to read the information.

## Programme sequence display

Symbols in the display show which section of the programme has been reached.

Symbol	Programme sequence
	Start at / Finish at
	Drying
	Machine iron
	Hand iron 
	Hand iron 
	Normal
	Normal+
	Cooling down / Cancel
	Cool air
	Warm air
	Anti-crease/Finish



## Structure of the main menu

<b>Favourite programmes</b>	
	<ul style="list-style-type: none"><li>- Favourite programmes (listed alphabetically)</li><li>- Create</li><li>- Change</li><li>- Delete</li></ul>
<b>Cottons</b>	
<ul style="list-style-type: none"><li>- <b>Minimum iron</b></li><li>- <b>Delicates</b></li><li>- ....</li><li>- ....</li></ul>	<ul style="list-style-type: none"><li>- Drying level: (depending on programme)</li><li>- Duration (depending on programme)</li><li>- Extras (depending on programme)</li><li>- Start at</li><li>- Finish at</li></ul>
<b>Drying tips</b>	
	<ul style="list-style-type: none"><li>- Cottons*</li><li>- Delicates*</li><li>- Cotton + synthetic*</li><li>- Woollens</li><li>- Silks</li><li>- Microfibre*</li><li>- Linen*</li></ul>

\* This option has further choices.

# Operating the tumble dryer

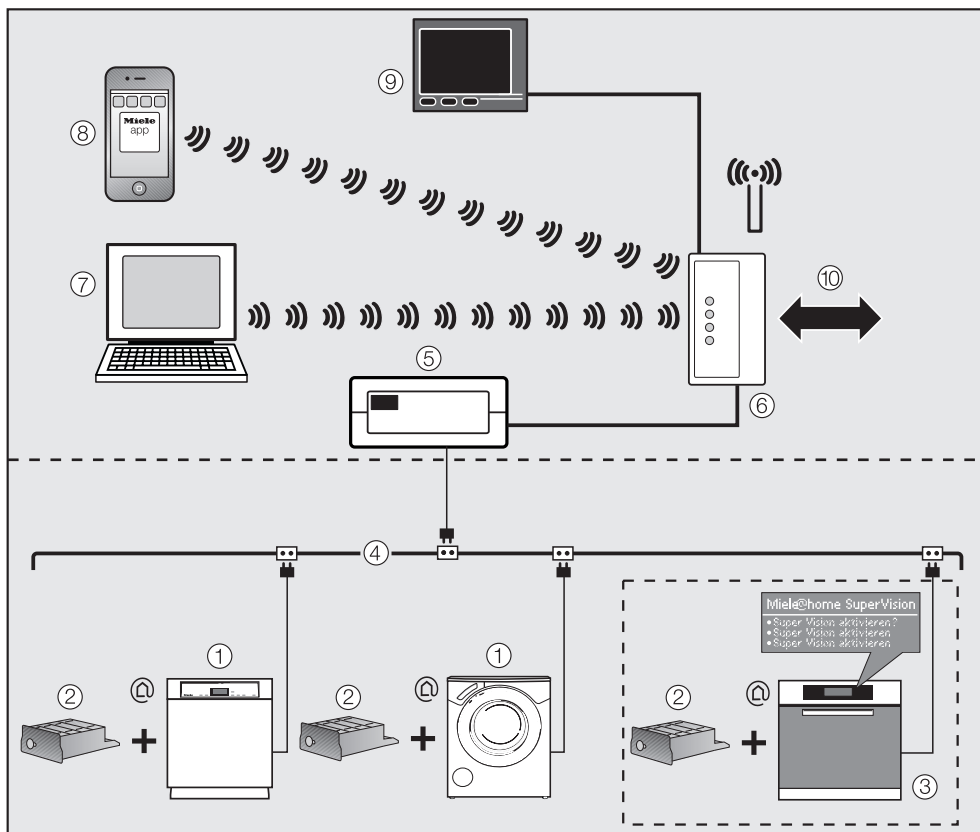
---

## Settings ▾

- Language ▾
- Time\*
- Drying levels\*
- Extended cool down
- Airways indicator
- Code
- Buzzer
- Keypad tone
- Brightness
- Contrast
- Display / keypad illumination
- Memory
- Anti-crease
- Miele@home\*\*
- Remote control\*\*

\* This option has further sub-menus.

\*\* Appears if the dryer has been fitted with the optional communication module.



① Communication enabled appliances

② Communication module

③ SuperVision master appliance

④ Power supply

⑤ Miele@home Gateway

⑥ (WLAN) Router

Possible connections (optional)

⑦ PC, Notebook

⑧ iPod\* or iPhone\*

⑨ Connection with a domestic bus system display

⑩ Possible internet connection

\* iPod und iPhone are registered trade marks of Apple Inc.

# Miele@home

---

This appliance is communication enabled and can be linked into the Miele@home system via a communication module ② (optional accessory).

Miele@home enabled appliances send information via the household power supply network ④ to the master appliance ③ / ⑤ about the operational status of the appliances, as well as information about the progress of the programme.

## Displaying information, controlling appliances

- SuperVision master appliance ③  
The status of other communication enabled appliances in the system can be shown in the display of the SuperVision master appliance.
- Mobile terminal appliances ⑦/⑧  
A PC, Notebook or an iPod\* / iPhone\* can be used within the operating radius of a WLAN ⑥ to display status information about the networked appliances and to carry out some operational commands.
- Household network ⑨  
Miele@home enables smarter living. With the Miele@home Gateway ⑤ communication-enabled appliances can be integrated into the domestic bus system.

\* iPod und iPhone are registered trade marks of Apple Inc.

## Optional accessories required

- Communication module XKM 2000
- Miele@home Gateway

Both of these are supplied with their own installation and operating instructions.

## Further information

Further information about Miele@home, SuperVision and future options can be found on the Miele website and in the operating instructions of the individual Miele@home components, for example, the Miele@home Gateway.

# Before using for the first time

Before using the dryer for the first time ensure that it is correctly installed and connected. See "Installation and connection".

Preparing the dryer for use is done in five stages. The dryer guides you automatically through steps **1.** to **5.**

## 1. Welcome screen

- Switch the dryer on with the  button.

The welcome screen will appear in the display for 3 seconds. The display for setting the language will then appear.

## 2. Set the language



- Select the language you want.
- The sensors on the right can be used to scroll up or down the list.
- Confirm the language you have selected with **OK**.

## Before using for the first time

---

### 3. Set the time of day (if required)

Enter the time of day.



- Use **+** and **-** to set the hour.
- Confirm with **OK**. Then set the minutes and confirm with **OK**.

### 4. Miele@home message

This communication enabled dryer can transmit programme data through the power lines to the Miele@home system if it has been fitted with a communication module (optional accessory).

- Confirm the message with **OK**.








### 5. Continue setting the dryer up as described in the Operating instruction manual.

The dryer is correctly set up once a programme lasting longer than one hour has been run (See "2. Selecting a programme").

The welcome screen and request to set the language will appear in the screen after switching the dryer on again if a programme lasting less than 1 hour was run.

- Confirm the message with **OK**.

## Garment care label symbols

Drying	
	Normal/higher temperature
	Reduced temperature: Select <i>Low temperature</i> (for delicate textiles)
	Do not tumble dry
Ironing	
	Very hot
	Hot
	Warm
	Do not iron

## Tips on drying

- Always observe the maximum recommended loads given in the "Programme chart". Never overload the drum.
- Overloading can cause unnecessary wear and tear to the laundry, give a disappointing drying result and cause more creasing.
- Do not put soaking wet items into the tumble dryer. Spin fabrics for at least 30 seconds before drying.
  - Open jackets so that they can dry evenly.
  - Use the *Automatic plus* programme for drying mixed loads of cotton and minimum iron fabrics.
  - Woollens and wool blends tend to become matted and shrink if dried in a tumble dryer. They can, however, be "fluffed up" using the *Woollens handcare* programme.


- Down-filled garments have linings which have a tendency to shrink, depending on the quality of the item. They can be partially dried using the *Gentle smoothing* programme.
- Pure linen should only be machine dried if specified as suitable by the manufacturer on the care label, as the surface of the fabric may otherwise become rough.
- Loopknit garments (e.g. T-shirts and underwear) tend to shrink depending on their quality. Do not over-dry these textiles. When purchasing these garments it is advisable to take their shrinkage properties into account.
- Minimum iron fabrics tend to crease more, the larger the load. This is also the case for garments made from very fine weave fabrics, such as shirts or blouses. If in doubt, divide the garments into smaller loads.
- Starched laundry can be dried in the tumble dryer. To achieve the usual finish, double the amount of starch should be used.
- New dark coloured garments should be washed and dried separately from light coloured garments to avoid the danger of colours running and discolouring other garments or even plastic components in the dryer. Dark coloured fibres can also settle on light coloured garments and vice versa.

# 1. Sort the laundry and loading the drum

## Prepare the laundry

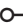
To ensure an even drying result sort the washed laundry according to:

- ...
- ... the drying level required,
- ... the type of fibre or weave,
- ... size,
- ... the moisture content after spinning.

 Make sure that objects, e.g. detergent dispensing balls, have been removed from the laundry. They could melt and cause damage to the dryer or the laundry.

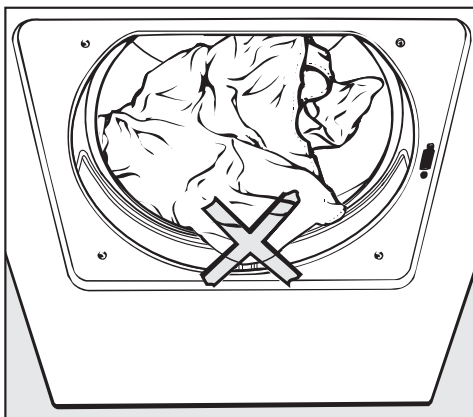
- Check seams and stitching to ensure that padding and linings are intact.
- Fasten duvet covers, pillow cases etc. to prevent small items from being rolled up inside them.
- Fasten zips, hooks and eyes etc.
- Tie fabric belts and apron strings.
- Sew in or remove underwiring from bras.

## Load the tumble dryer

- Press the  button to open the door.
- Load the laundry loosely into the drum.

Do not overload the drum. See the "Programme chart" for recommended loads for each programme. Overloading can cause unnecessary wear and tear to the laundry, and give a disappointing drying result.

- Before closing the door make sure the fluff filter is correctly positioned.



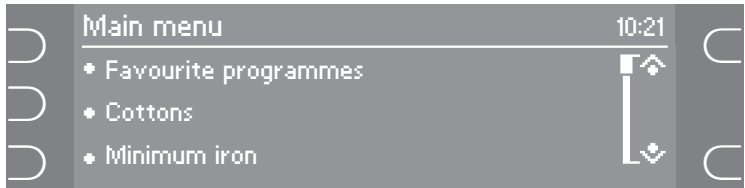
Check the laundry is right inside the drum so that it cannot get trapped or damaged when the door is shut.

- Shut the door either with a gentle swing, or lean against it and push it shut.



## 2. Select a programme

### Switch the dryer on with the ① button

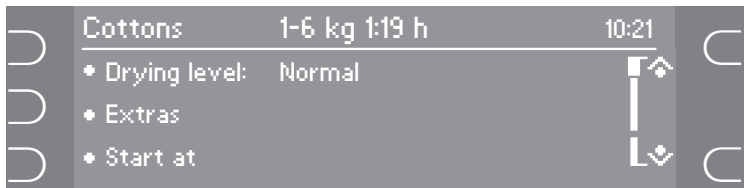


- Select the programme you want: Use the right hand sensors to show more programmes.

### An additional menu may appear depending on programme selected:

#### – Programmes with drying levels

e.g. *Cottons ...* : You have a choice of drying levels with this programme.



- Touch the *Drying level* sensor.



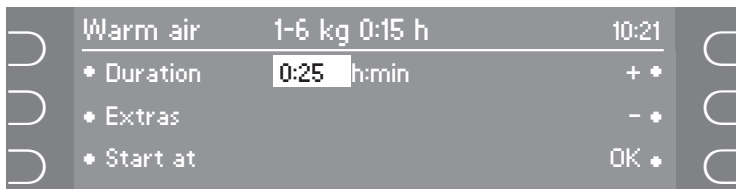
- If there are more than 3 levels to choose from: Use the right hand sensors to show more levels.
- Touch the left hand sensor to confirm the drying level required.
- Confirm with **OK**.

## 2. Select a programme

---

### – Programmes which operate by time

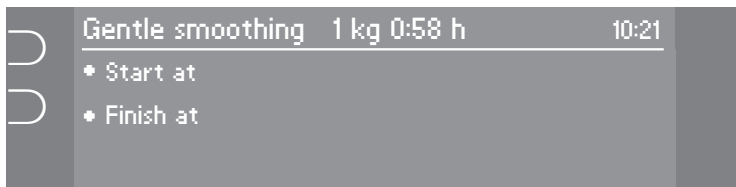
e.g. *Warm air ...* : You have to select a duration.



- Touch the *Duration* sensor.
- Use the + and - sensors on the right to alter the value highlighted.
- Confirm the value you have set with **OK**.
  - *Cool air*: 20 mins - 1 hour
  - *Warm air*: 15 mins - 2 hours
  - *Timed drying hygiene*: 1 hour - 2 hours

### – Other programmes

e.g. *Gentle smoothing ...* : These programmes have fixed drying levels / durations and cannot be altered.



## 2. Select a programme

### Select Extras



- Select the Extra you require.

A tick  will appear to show which Extra has been selected.

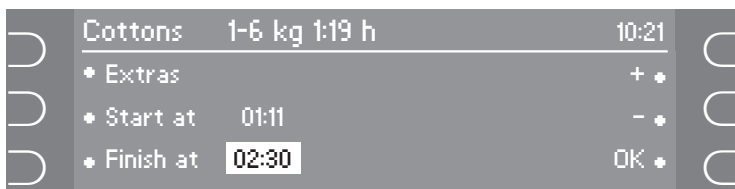
- Confirm with **OK**.

### Start at / Finish at

You can set the start (Start at) or the end (Finish at) time of a programme.

The start and end time can be set in steps of 15 minutes. You can delay the programme start time or the programme end time up to a maximum of 24 hours. With the first 15 minute step the time will be adjusted to the next quarter of an hour.

- Select the *Start at* or the *Finish at* option.



- Use **+** and **-** to select the time you want for *Start at* or *Finish at*. Confirm the time you have selected with **OK**.

Please note: If you subsequently select or deselect an Extra or alter the drying level, this can postpone the programme end time.

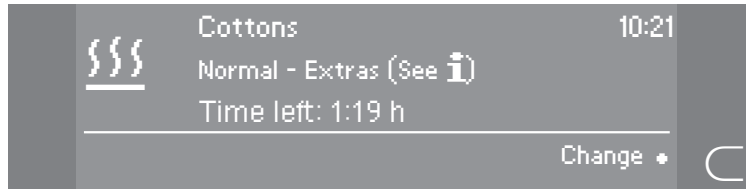
## 3. Start the programme

---

### Starting a programme

- Touch the green illuminated *Start* sensor.

In order to start the programme you must place your finger in the centre of the *Start* sensor when touching it. If the programme does not start: wait for 4 seconds and touch the *Start* sensor in the middle again.



- The time remaining counts down in the display.
- Symbols in the display show which section of the programme has been reached.

### Time left

The following factors all affect the estimated time remaining: the residual moisture after spinning; the type of textile; the load; the ambient room temperature; fluctuations in the power supply or a programme interruption.

The time left during drying is continually monitored and altered. This is why the time shown in the display may fluctuate duration the programme. This is quite normal. Programmes can also finish earlier than expected, if, for example, particularly fine fabrics are being dried, the load is very small or items were partially dry beforehand.

Some changes can be made after starting a programme:

### Selecting a different programme

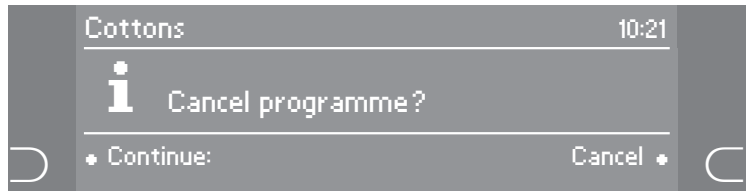
You cannot change to another programme once a programme has started (this prevents unintentional alterations).

You will need to cancel the current programme before you can select a new one.


## 3. Start the programme


### Cancelling a programme



- Touch the <C sensor.



- Select *Cancel*.

The items will be cooled down , depending on the temperature reached and how long they have been dried for.


If you select <C and *Cancel*,  *Finish* will appear in the display.


- Press the  button to switch the dryer off.
- Press the  button to switch the dryer on.
- Select another programme and start it.

### An alternative way to cancel

- Press the  button.

### Adding or removing laundry after a programme has started

- Press the  button.
- Open the door.


 **Danger of burning:**  
Do not touch the back of the drum when adding or removing items. The drum and the items can get very hot.

- Add or remove items as required.
- Close the door.
- Select a programme.
- Press the *Start* button.


## 4. Programme end - unload the drum

---

### Before the end of a programme

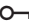
There is a cooling down phase at the end of the drying sequence:  "Cooling down" appears in the display. The programme is not finished until the cooling down phase has been completed.

### Programme end - unload the drum

 *Anti-crease* and *Finish* will appear in the display to indicate that the programme has finished. The buzzer will sound at intervals.

The dryer has an energy saving mode: After the programme has finished, the display will go out and the indicator light for the *Start* button will start to flash slowly (see also Display/button allocation in the the "Settings" menu.


During the Anti-crease phase, the drum will rotate at intervals to prevent laundry creasing. This is quite normal.

- Press the  button to open the door.
- Remove the laundry.

Check that all items have been removed from the drum. If items are left in the dryer, they could be damaged by overdrying when the dryer is next used.

The dryer will switch off automatically 15 minutes after the end of a programme/the end of the anti-crease phase.


If the dryer is signed on to the Miele@home system, it will not switch off automatically.

- Press the  button to switch the dryer off.
- Close the door.
- Empty the condensed water container unless the dryer has been connected to an external drainage system in which case it does not have to be emptied.
- Please see "Cleaning and care" for details.

### Drum lighting


The lighting only comes on when the door is opened if the dryer is switched on. It will go out after a short while if the door is left open to save energy.

## Short

For drying fabrics which can withstand higher temperatures and have  on the care label. Do not use on minimum iron or delicate fabrics.

- This option uses a higher temperature for a shorter drying time.

## Low temperature

Delicate and minimum iron fabrics with the  symbol on the care label (e.g. acrylic garments) are dried at a lower temperature.

- This option uses a lower temperature and a longer drying time.

## Note

You can also alter the drying levels and cooling down periods for some programmes (see "Settings menu").

This dryer also has a buzzer and an anti-crease phase at the end of the programme which can be altered (see "Settings").

## Optional extras

This dryer offers the following extras:

	Short	Low temperature
Cottons	•	•
Minimum iron	•	•
Warm air		•

However, You have to choose either the *Short* or the *Low temperature* option.

# Favourite programmes

---

You can save up to ten programmes with the settings you have selected for them under names of your choice. The name can have up to 12 characters.

The favourite programmes which have been set are stored alphabetically.


## To save a favourite programme

There are two ways of saving a programme as a favourite.

1. Open the *Favorite programmes* menu and select *Create*. You can then select a programme in the usual way.
2. If you alter a drying level or select an Extra when you select the programme: Also select *Save as*.

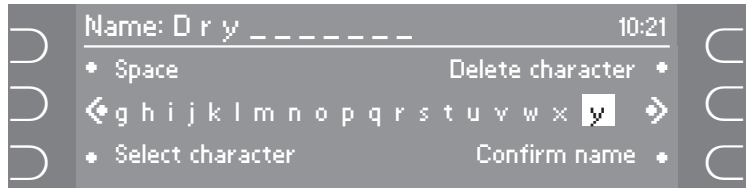
## To enter a name for a favourite programme



- Select the first character and confirm this with *Select character*. Use the  sensor to scroll to the right to select the rest of the characters.
- After the first letter in upper case has been entered the display will change automatically to display letters in lower case. After a space has been entered the display will revert to upper case again.



## To save a name for a favourite programme



- Select *Confirm name*.

## To select a favourite programme

- Call up the *Favorite programmes* menu. The saved programmes will appear in alphabetical order.
- Select the favourite programme you want.
- Touch the green illuminated *Start* sensor. The programme will start.

## To change a favourite programme

- Select the *Change* option.
- Select the favourite programme you wish to change.
- Make any changes and then save it under the same name. The altered parameters will be active the next time the favourite programme is started.

## To delete a favourite programme

If you have already saved ten favourite programmes then you will have to delete one of them before you can save a new programme.

- Select the *Delete* option.
- Select the favourite programme you wish to delete.
- Confirm the deletion.

# Programme chart

<b>Cottons</b>		<b>Max. load 6 kg*</b>
<b>Extra dry, Normal+, Normal**</b>		
Use for	Single and multi-layered cotton fabrics such as towelling, T-shirts, underwear, flannelette bed linen and baby clothes.	
Tip	<ul style="list-style-type: none"> <li>– Select <i>Extra dry</i> for multi-layered and very thick fabrics.</li> <li>– Do not use <i>Extra dry</i> for loopknit fabrics (e.g. T-shirts, underwear, baby clothes), as they have a tendency to shrink.</li> </ul>	
<b>Hand iron Δ, Hand iron ΔΔ, Machine iron</b>		
Use for	Cotton or linen fabrics e.g. Table linen, bed linen, starched laundry.	
Tip	To prevent laundry from drying out, it should be rolled up until you are ready for ironing.	
<b>Minimum iron</b>		<b>Max. load 3 kg*</b>
<b>Normal+, Normal, Hand iron Δ</b>		
Use for	Minimum iron cotton, synthetic and mixed fibre fabric. e.g. tops, dresses, trousers, skirts and table cloths.	
<b>Delicates</b>		<b>Max. load 2 kg*</b>
<b>Normal+, Normal, Hand iron Δ, Hand iron ΔΔ</b>		
Use for	Synthetic, mixed fibre, rayon and easy care cotton, e.g. shirts, blouses, lingerie and appliquéd garments.	

\* Weight of dry laundry

Note for test institutes:

\*\* Test programme (without selecting any Extra options) in accordance with Regulation 392/2012/EU for energy labelling measured in accordance with EN 61121.

## Programme chart

<b>Automatic plus</b>		<b>Max. load 3.5 kg*</b>
<b>Normal+, Normal, Hand iron <math>\Delta</math></b>		
Use for	Mixed loads of garments suitable for the <i>Cottons</i> and <i>Minimum iron</i> programmes. Sort according to colour.	
<b>Shirts</b>		<b>Max. load 2 kg*</b>
<b>Normal, Hand iron <math>\Delta</math></b>		
Use for	Shirts and blouses.	
<b>Denim</b>		<b>Max. load 3 kg*</b>
<b>Normal, Hand iron <math>\Delta</math></b>		
Use for	Denim jeans, jackets, skirts and shirts.	
<b>Express</b>		<b>Max. load 3.5 kg*</b>
<b>Extra dry, Normal+, Normal, Hand iron <math>\Delta</math>, Hand iron <math>\Delta\Delta</math>, Machine iron</b>		
Use for	Fabrics which can tolerate high temperatures and which can be dried using the <i>Cottons</i> programme.	
Tip	– Short programme duration.	
<b>Woollens handcare</b>		<b>Max. load 2 kg*</b>
Use for	Woollen garments and fabrics containing wool.	
Tip	<ul style="list-style-type: none"> <li>– This programme only fluffs up woollen garments. They are not dried completely by this programme.</li> <li>– Remove garments as soon as the programme has finished and leave to finish drying at room temperature.</li> </ul>	
<b>Silks handcare</b>		<b>Max. load 1 kg*</b>
Use for	Silks (those suitable for drying in a tumble dryer), e.g. blouses and shirts.	
Tip	<ul style="list-style-type: none"> <li>– Smooths out creasing caused during the spin cycle in the washing machine.</li> <li>– Remove garments as soon as the programme has finished so that they are easy to iron.</li> </ul>	

\* Weight of dry laundry

# Programme chart

<b>Sportswear</b>		<b>Max. load 2 kg*</b>
<b>Normal+, Normal, Hand iron Δ</b>		
Use for	Sportswear which is suitable for drying in a tumble dryer.	
<b>Outerwear</b>		<b>Max. load 2 kg*</b>
<b>Normal, Hand iron Δ</b>		
Use for	Outerwear which is suitable for drying in a tumble dryer.	
<b>Proofing</b>		<b>Max. load 2 kg*</b>
Use for	Drying microfibre fabrics, skiwear, fine, closeweave cotton garments (poplin) or tablecloths which are suitable for drying in a tumble dryer and have been treated to provide a water and dirt resistant finish.	
Tip	<ul style="list-style-type: none"> <li>– This programme includes a proofing fixing phase.</li> <li>– <b>Only use proofing agents containing fluorochemical compounds which are stated by the manufacturer as being "suitable for use on membrane textiles".</b></li> <li>– <b>Do not dry items which have been treated with proofing agents containing paraffin. Fire hazard!</b></li> </ul>	
<b>Pillows</b>		<b>1-2 pillows up to 80 x 40 cm</b>
<b>Large pillows</b>		<b>1 pillow up to 80 x 80 cm</b>
Use for	Pillows suitable for drying in a tumble dryer, with feather, down or synthetic fillings.	
Tip	Please observe the instructions on the care label. Pillows can still feel damp after being dried. You can use this programme several times until the pillow feels dry.	

\* Weight of dry laundry

## Programme chart

<b>Gentle smoothing</b>		<b>Max. load 1 kg*</b>
Use for	<ul style="list-style-type: none"> <li>– Cotton and linen fabric.</li> <li>– Minimum iron mixed fibre, cotton or synthetic fabrics, e.g. trousers, anoraks, shirts.</li> </ul>	
Tip	<ul style="list-style-type: none"> <li>– Suitable for both dry and damp laundry.</li> <li>– Smooths out creasing caused during the spin cycle in the washing machine.</li> <li>– Remove garments as soon as the programme has finished so that they are easy to iron.</li> </ul>	
<b>Cool air</b>		<b>Max. load 6 kg*</b>
Use for	Any item which only needs airing.	
<b>Warm air</b>		<b>Max. load 6 kg*</b>
Use for	<ul style="list-style-type: none"> <li>– Voluminous and multi-layered fabrics whose layers have different drying characteristics, e.g. jackets, pillows.</li> <li>– For drying individual items, e.g. bath towels, swimwear, tea-towels.</li> </ul>	
Tip	<ul style="list-style-type: none"> <li>– Do not select the longest drying time to start with. Check the items as you are drying them to find the optimum time.</li> </ul>	
Note	<p>You can use the <i>Warm air</i> programme to help remove odours from clean cotton clothing (select a duration of between 1/2 and 1 hour). Items must be suitable for drying in a tumble dryer. Dampen the garments a little beforehand or add a fabric conditioner sheet. Odours will not be removed as effectively from any parts of the garments which are made of synthetic fibres.</p>	




\* Weight of dry laundry

# Programme chart

## Hygiene programmes

In the *Hygiene* programmes the temperature is held constant for a longer period of time to deactivate micro-organisms, e.g. bacteria or house dustmites, and also to reduce the number of allergens in the laundry.

These programmes should not be interrupted as this would prevent the micro-organisms from being deactivated.

<b>Cottons hygiene</b>		<b>Max. load 6 kg*</b>
<b>Normal</b>		
Use for	Cottons and linen fabrics which are in direct contact with the skin, e.g. underwear, nappies, towelling, bed linen, pillow and mattress covers.	
Tip	Only for drying fabrics which can withstand higher temperatures and which have the  symbol on the care label.	
<b>Minimum iron hygiene</b>		<b>Max. load 3 kg*</b>
<b>Normal</b>		
Use for	Minimum iron items made of synthetic or mixed fibre, e.g. skirts, shirts and blouses.	
Tip	Only for drying fabrics which can withstand higher temperatures and which have the  symbol on the care label.	
<b>Timed drying hygiene</b>		<b>Max. load: Depends on fabric type</b>
Use for	<ul style="list-style-type: none"><li>– 6 kg* of items made of cotton or linen fabric.</li><li>– 3 kg* of minimum iron items made of synthetic or mixed fibre.</li><li>– For airing individual items of laundry which are already dry or for deactivating lice, dustmites and micro-organisms in washable materials which are suitable for drying in a tumble dryer, e.g. stuffed toys, and which have the  symbol on the care label.</li></ul>	
Tip	– Do not select the longest drying time to start with. Check the items as you are drying them to find the optimum time.	

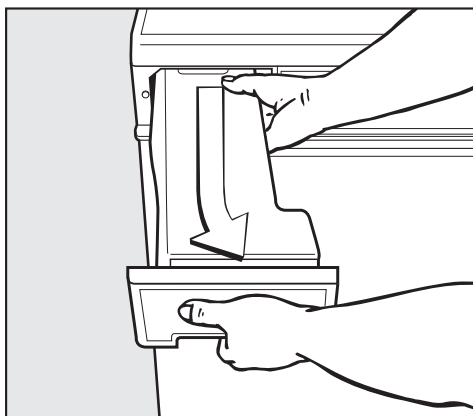
\* Weight of dry laundry

### Emptying the condensed water container

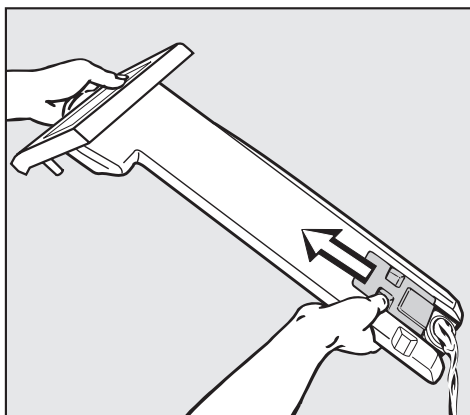
The condensed water will be collected in the condensed water container unless the appliance has been set up to drain via the drain hose (see installation).

Empty the condensed water container after every drying programme.

The drying programme will be interrupted if the maximum level of the condensed water container is reached. A message will appear in the display.



- Holding the container firmly in both hands, as shown, pull it out slightly towards the right-hand side.
- Hold the container in a horizontal position when carrying it.



- Open the shutter and empty out the water.
- To replace the container, hold it at a slight angle (as when removing it) and push it in gently until you feel it click into position.
- To remove the message from the display, switch the dryer off and then on again.

Condensed water should not be consumed. It could lead to health problems for people and animals.

Condensed water can be put to household use (e.g. used in a steam iron or humidifier). To ensure that any residual particles of fluff in the condensed water are removed before use, pass it through a fine sieve or paper filter first.

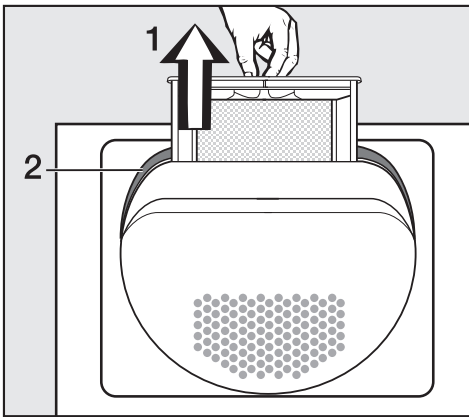
# Cleaning and care

## Cleaning the fluff filters

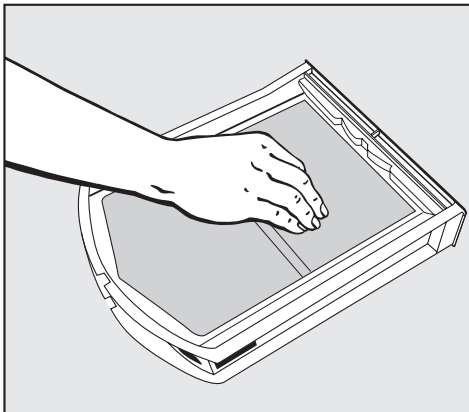
The fluff which is created by the drying process is collected by the fluff filters in the door and the door opening. Clean the filters after **each** drying programme\*.

### Cleaning them whilst dry

Tip: You can also use a vacuum cleaner to remove the fluff.



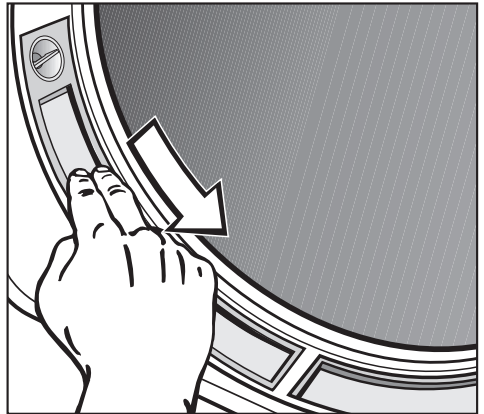
- Open the door and pull the fluff filter (1) out of the door as illustrated.



- Use your fingers to remove the fluff from the surface of the filter.

- Remove any fluff from the hollow part of the door opening. You could also use a cleaning brush which is available as an optional extra from your Miele dealer or the Miele Spare Parts Department, or use a vacuum cleaner.

- Also clean the door seal (2) with a damp cloth.
- Once clean, push the filter back into the door holder until it clicks into position. Ensure it is facing the correct way.



- Use your fingers or a vacuum cleaner to remove the fluff from the two fluff filters in the door opening.
- Close the door.

\* Always check the fluff filters if the *Clean out airways* message appears.

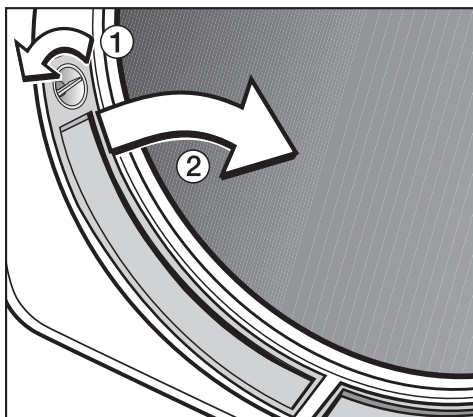


## Cleaning them with water

If there is a great deal of compacted fluff on any of the filters, they can be removed and cleaned under hot running water.

- Open the door and pull the fluff filter out of the door as described previously.

The two filters in the door opening can also be removed if you need to clean them with water.



- Turn dial ① and pull the filter by the dial out of the door opening as shown ②. Do the same on the other side.
- Rinse all the filters under hot, running water.
- Then shake the filters until no more water droplets are visible.
- Dry the filters thoroughly with care.
- Clean the area underneath these filters, e.g. with a vacuum cleaner.

⚠ Do not replace them if they are damp or wet. Damp or wet filters could cause operational faults.

- Push the large filter back into the door holder until it clicks into position. Ensure it is facing the correct way.
- Replace the filters in the door opening by first inserting them at the bottom and then pressing them into place at the top.
- Lock both dials.

# Cleaning and care

---

## Cleaning the tumble dryer

Disconnect the tumble dryer from the mains electricity supply.

Miele branded cleaning and conditioning products are available to order via the internet on [www.miele-shop.com](http://www.miele-shop.com).

- Clean the housing and control panel with a slightly damp cloth and a mild detergent or soapy water.
- The drum and other stainless steel parts can be cleaned with a suitable stainless steel cleaner following the manufacturer's instructions.

**Do not** use solvents, abrasive cleaners, glass cleaners or all-purpose cleaners. These could damage plastic surfaces and other parts.

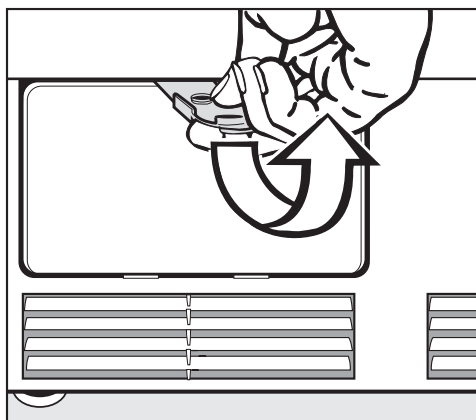
- Dry all parts with a soft cloth.

## Cleaning the condenser unit

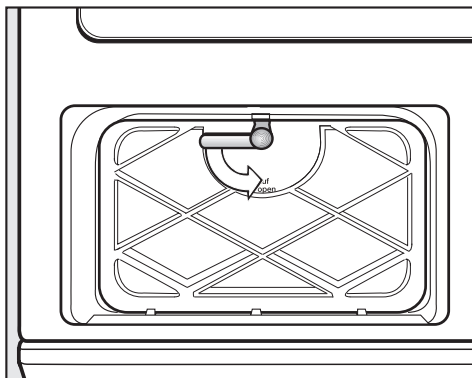
Detergent residue, hair and fine fluff from the dryer can get through the fluff filters and block the condenser unit. Dust from the room in which the dryer is installed can also get into the condenser unit and cause a blockage.

**Check** the condenser unit at least once a year. Always check it if the *Clean out airways* message appears. Clean it if necessary.

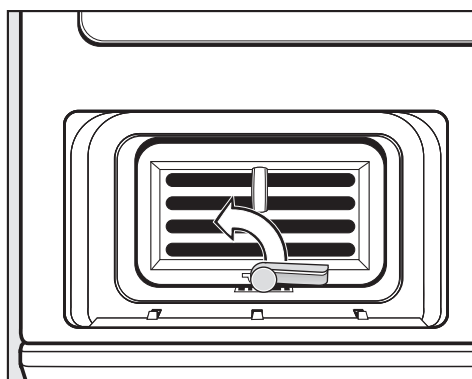
## Removing the condenser unit



- Open the service panel. Hold the panel securely when doing this.
- Now remove the panel by pulling it diagonally upwards and place it to one side.

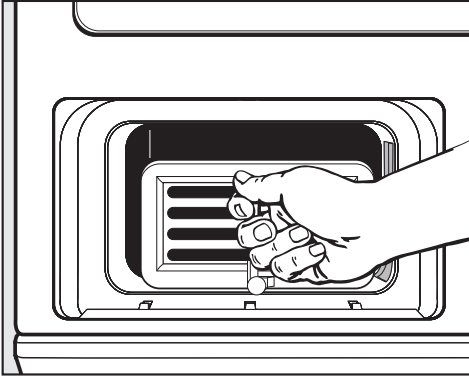


- Turn the lever on the inner cover downwards to the vertical position.
- Tilt the cover forwards.
- Remove it by pulling it diagonally upwards.



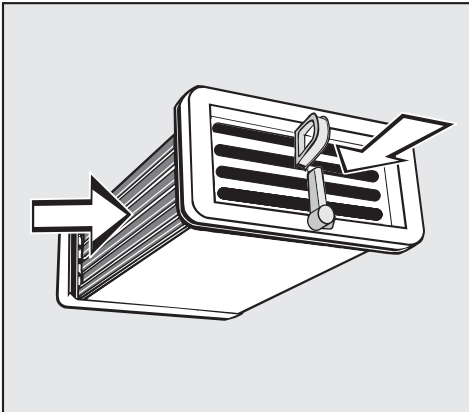
- Turn the lever on the condenser unit upwards to the vertical position.

## Cleaning and care



- Pull the condenser unit out of its housing by the handle.

### Checking the condenser unit



- Hold the condenser unit up to the light **as shown**.
- Check to see if there is any fluff inside it.  
The arrows in the illustration above indicate where to look.

If you cannot see any fluff:

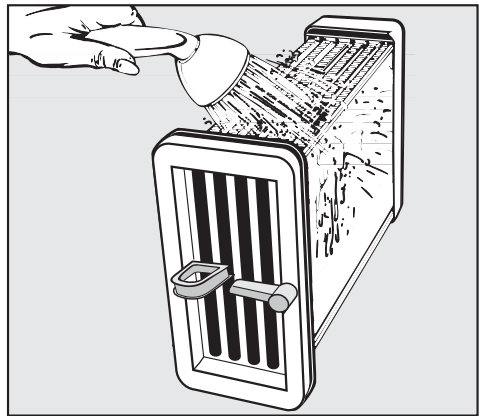
- Replace the condenser unit (see following page).

If you can see some fluff:

- Clean the condenser unit as described below.

### Cleaning the condenser unit

- **When rinsing the condenser unit, make sure you position it as shown in the next two illustrations.**



- Use a shower head or similar to rinse the unit out **as shown**.



- Then flush the unit through from the front.
- Check the condenser unit again for any visible fluff and if necessary flush it through again until it has all gone.
- Repeat as required.
- Also make sure the rubber seals are clean.  
The rubber seals must not be removed and must be free of kinks.
- Shake the water off the condenser unit until no more droplets of water are visible.

### Checking and cleaning the condenser unit housing


- Remove any soiling still visible inside the housing unit by hand using a damp cloth. Do not try and access areas you cannot reach by hand!

### Replacing the condenser unit

- **With the handle facing upwards**, push the condenser unit back into position in its housing.
- Turn the lever down to the horizontal position, making sure that the hook on the lever clicks into the groove.


When replacing the inner cover after cleaning, ensure that the rubber seal fits correctly into the groove.

- Replace the inner cover making sure the hooks locate correctly. Hold it at an angle and push it gently downwards.
- Then turn the lever upwards into the horizontal position to lock the cover.
- Replace the service panel and press the upper edge until it clicks into position.



 It is important to ensure that both the condenser unit and the cover are correctly positioned and locked, otherwise water may leak from the dryer.

## Problem solving guide


With the help of the following notes minor faults in the performance of the appliance, some of which may result from incorrect operation, can be put right without contacting the Service Department.

 Repair work to electrical appliances should only be carried out by a suitably qualified person in strict accordance with current local and national safety regulations. Repairs and other work by unqualified persons could be dangerous. The manufacturer cannot be held liable for unauthorised work.

### Check and fault messages in the display

Problem	Possible cause	Remedy
<b>You are asked to enter a code.</b>	Access via a code has been activated.	Enter the code (see <i>Settings menu</i> ).
 <b>Adjust the load</b> <b>The programme is cancelled, the buzzer sounds.</b>	This is not a fault. In some programmes, if the drum has been overloaded or underloaded, the programme will be cancelled. This can also happen if the items are already dry.	Use the <i>Warm air</i> programme in future for drying individual items. – Open and shut the door.
 <b>Empty the container</b> <b>The programme is cancelled, the buzzer sounds.</b>	The condensed water container is full or there is a kink in the drain hose.	– Empty out the condensed water container or check the drain hose. – Switch the dryer off and back on again.

## Problem solving guide

Problem	Possible cause	Remedy
<p>Clean out airways</p> <p><b>You are asked to clean the airways at the end of a programme.</b></p>	<p>The dryer is not working efficiently or economically.</p> <p>Possible reason for this: The fluff filter is clogged with fluff or with detergent residues.</p>	<ul style="list-style-type: none"> <li>– Cleaning the filters is usually all that is required.</li> <li>However, if the message does not go out after you have cleaned the filters, then also check all the possible causes described under "The drying process goes on too long or even switches off". (See "Other problems").</li> <li>– Open and shut the door.</li> </ul> <p>You can change the parameters for this message (See the <i>Settings</i> menu).</p>
	<p>Clean out airways</p> <p><b>The programme is cancelled, the buzzer sounds.</b></p>	<p>See above for possible causes and their remedies.</p>
<p><b>A prompt which has not been described previously appears in the display.</b></p>	<p>A programme cannot be started while there is a fault message in the display.</p>	<ul style="list-style-type: none"> <li>– Make a note of what is shown in the display.</li> <li>– Try to resolve the problem yourself.</li> <li>– Switch the dryer off and then on again.</li> <li>– If you do not succeed: Call the Service Department.</li> </ul>
<p>Comfort cooling</p>	<p>The programme has finished but the laundry is still being cooled down.</p>	<p>You can either unload the drum and leave the laundry to cool at room temperature or leave it in the tumble dryer to continue cooling.</p>

## Problem solving guide


<b>An unsatisfactory drying result</b>		
<b>Problem</b>	<b>Possible cause</b>	<b>Remedy</b>
<b>The laundry is not sufficiently dry.</b>	The load consisted of different fabrics.	<ul style="list-style-type: none"><li>– Finish drying using the Warm air programme.</li><li>– Select a different programme next time*.</li></ul>
<b>Feather filled pillows smell after drying.</b>	Feathers are a natural product and this is quite normal.	The smell will dissipate after sufficient airing.
<b>Items made of synthetic fibres are charged with static electricity after drying.</b>	Synthetic fibres tend to attract static charge.	Static charge can be reduced by adding a fabric conditioner to the final rinse in the washing programme or a fabric conditioner sheet to the load when drying.
<b>There is a build-up of fluff.</b>	Fluff is principally the result of friction when garments are being worn and to some extent when they are being washed. Machine drying hardly causes any fluff to form and has no appreciable effect on the lifetime of the fabric.	Fluff is collected by the fluff filters and can be removed easily (see "Cleaning and care").

\* You can alter the drying levels for some programmes (see "Settings menu").



Other problems		
Problem	Possible cause	Remedy
<b>The drying process goes on too long or even switches off.</b>	The request to clean the airways may appear in the display.	Please check all the possible causes and switch the dryer off and then back on again.
	Ventilation to and from the dryer may be insufficient, e.g. because it is installed in a room which is too small. This can cause the temperature in the room to rise sharply.	– Open a door or window while the dryer is in operation for increased air flow.
	The vents below the door are blocked.	– Remove any objects that are blocking the vents.
	The fluff filters are clogged up.	See "Cleaning and care". – Remove any fluff.
	The fluff filters were wet when replaced.	– The fluff filters must be completely dry.
	Detergent residues, hair and fine fibres can block the condenser unit.	See "Cleaning and care". – The condenser unit must be checked and cleaned if necessary.
	The laundry has not been spun sufficiently.	– Make sure that your laundry is thoroughly spun at the appropriate spin speed in the washing machine.
	The tumble dryer has been overloaded.	– Do not exceed the maximum load for the programme selected.
	Metallic components, e.g. zips have prevented the dryer from registering the correct moisture level in the laundry.	– Open zips next time. – If the problem occurs again, dry garments with long zips using the <i>Warm air</i> programme (timed drying).

## Problem solving guide

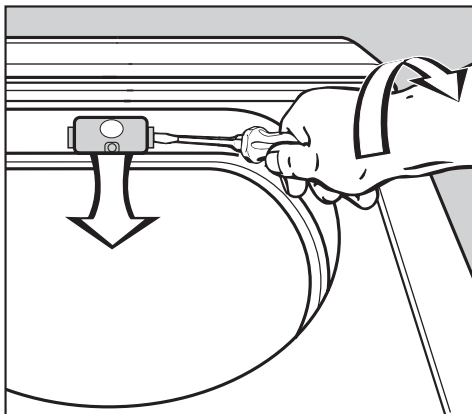
Problem	Possible cause	Remedy
<b>Water leaks from the dryer after the condenser unit has been cleaned.</b>	<ul style="list-style-type: none"> <li>– The inner cover of the condenser unit has not been locked properly and/or the condenser unit has not been positioned correctly.</li> <li>– Fluff has collected in the condenser unit housing.</li> </ul>	<ul style="list-style-type: none"> <li>– Ensure that the condenser unit is positioned correctly and lock the inner cover.</li> <li>– Check the rubber seals.</li> <li>– Use a cloth to remove any visible fluff from the inside of the condenser unit housing.</li> </ul>
<b>The display and the sensors are not lit up and the <i>Start</i> sensor is flashing slowly.</b>	Standby. To save energy the display and sensor illumination switches off automatically.	<ul style="list-style-type: none"> <li>– Touch the <i>Start</i> sensor. The display and sensors will light up.</li> <li>– See "Settings".</li> </ul>
<b>The programme does not start.</b>	No obvious cause.	<ul style="list-style-type: none"> <li>– Is the dryer switched on?</li> <li>– Is the plug correctly inserted into the socket and switched on?</li> <li>– Is the door closed properly?</li> <li>– Has the fuse or circuit breaker tripped?</li> </ul>
<b>The display is in a different language.</b>	A different language has been selected.	Set the language you want. The <b>flag symbol</b>  will guide you.
<b>The interior drum lighting does not come on.</b>	The lighting switches off automatically (to save energy).	<ul style="list-style-type: none"> <li>– Switch the dryer off and then on again.</li> <li>– If the lamp needs to be replaced, follow the instructions in "Changing the lamp" at the end of this section.</li> </ul>
	The lock has been activated.	<ul style="list-style-type: none"> <li>– Enter the code to deactivate it and the light will come on.</li> </ul>

### Changing the lamp

Disconnect the tumble dryer from the mains electricity supply.

- Open the door.

You will find the interior light cover at the top of the drum aperture.




- Insert a suitable tool, such as a wide bladed screwdriver, under the side edge of the light cover as illustrated.
- Apply a little pressure and whilst doing so turn your wrist in the direction of the arrow to open the cover.

The cover will open downwards.

The temperature resistant lamp should only be ordered from your Miele Dealer or the Miele Spare Parts Department.

The light specification and maximum wattage is stated on the data plate and on the light cover.

- Turn the light anti-clockwise to remove.
- Replace the lamp.
- To close the cover push it upwards and press it on the left and right until you hear it click into position.

 Ensure that it is fitted into position securely, as any moisture could cause a short circuit.

## After Sales service

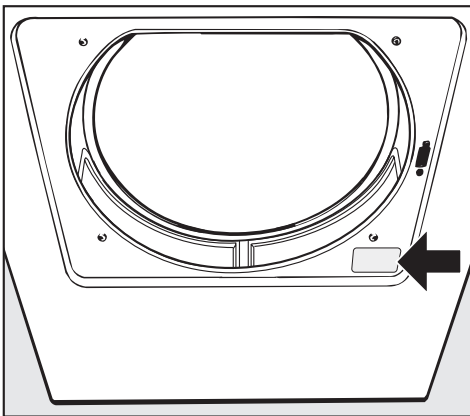
---

### Repairs

In the event of any faults which you cannot remedy yourself, please contact

- your Miele dealer or
- the Miele Service Department (see back cover for contact details).

When contacting your dealer or the Service Department, please quote the model and serial number of your appliance, both of which are shown on the data plate. This is visible when you open the door.



N.B. A call-out charge will be applied for service visits where the problem could have been resolved as described in these instructions.

### Future updates (PC)

The indicator or check light marked **PC** on the fascia panel is the interface used by the Miele service technicians during service work for testing purposes and for updating the appliance's programme data.

### Appliance guarantee

In the U.K. your appliance is guaranteed for 2 years from the date of purchase. However you must activate your cover by calling 0845 365 6640 or registering online at [www.miele.co.uk](http://www.miele.co.uk).

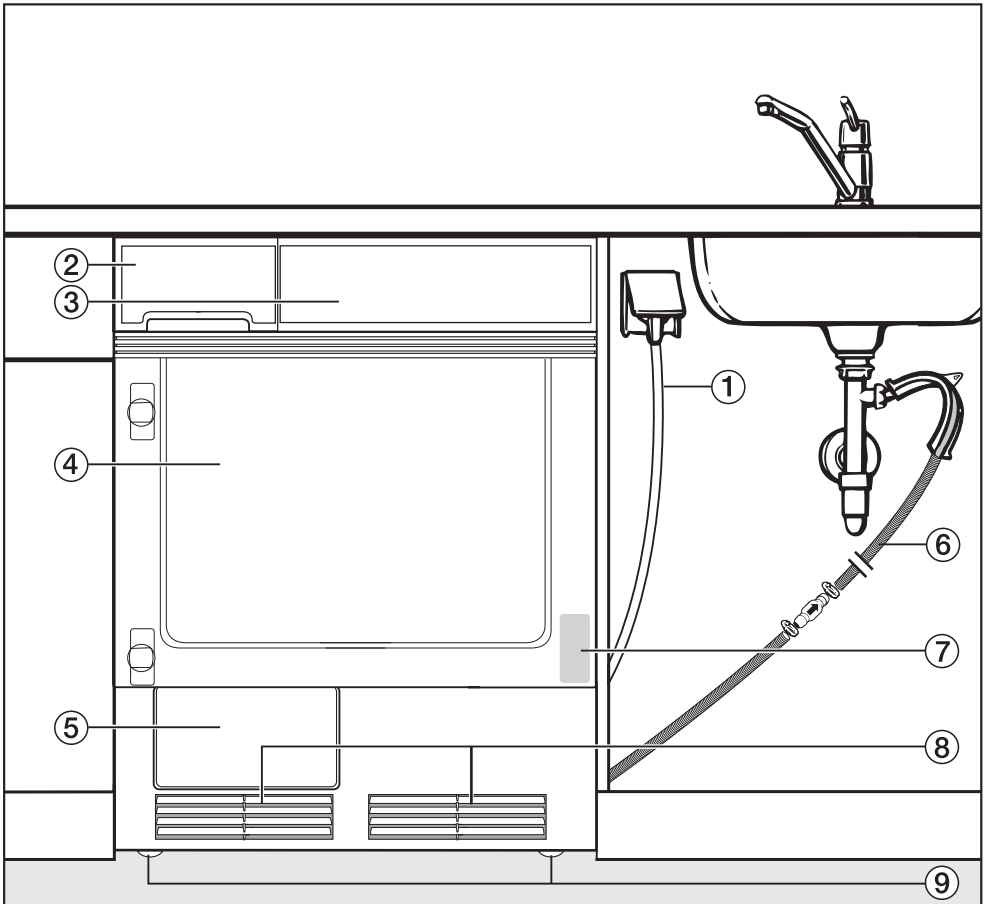
For information on the appliance guarantee specific to your country please contact Miele. See back cover for contact details.

### Optional accessories

Optional accessories for this dryer are available from your Miele Dealer, the Miele Spare Parts Department or via the internet at [www.miele-shop.com](http://www.miele-shop.com).

Please note that telephone calls may be monitored and recorded for training purposes.


## Front view



- ① Mains connection cable
- ② Condensed water container
- ③ Control panel
- ④ Door (can be fitted with a decor panel)
- ⑤ Service panel for condenser unit
- ⑥ Hose for external drainage of condensed water (see "External condensed water outlet")
- ⑦ Rear view: Slot for Miele@home communication module
- ⑧ Intake and exhaust vents for cooling the condenser unit
- ⑨ Four height adjustable screw feet

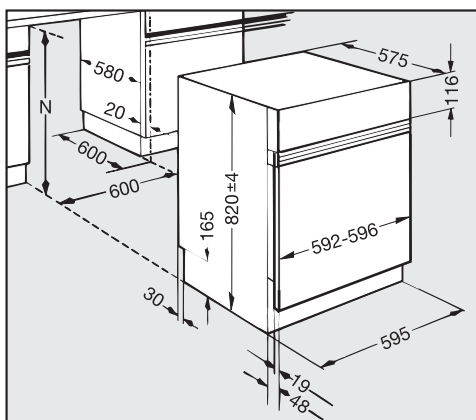
# Installation and connection

## Installation site

 Make sure the dryer door can be opened without hindrance after installation.

### Building under a continuous worktop / in a kitchen run

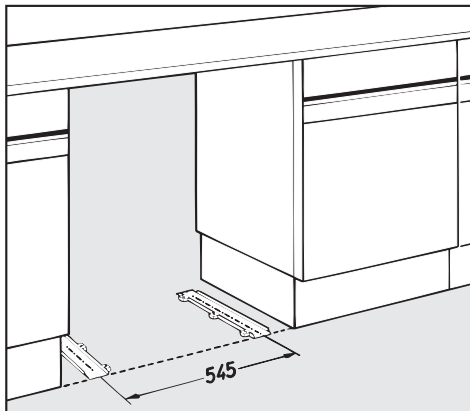
This tumble dryer is specially designed for installation under a continuous worktop run in a fitted kitchen.



N = Niche height (820-930 mm)

When moving the dryer do not lift it by the drum door.

The dryer is supplied fitted with a cover plate instead of a machine lid. The cover plate is necessary to ensure electrical safety and must not be removed.



- Slides\* can be used to protect the floor from damage when the machine is pushed into position or taken out for servicing.
- The electrical socket must be located in an accessible position near the tumble dryer.

Please note:

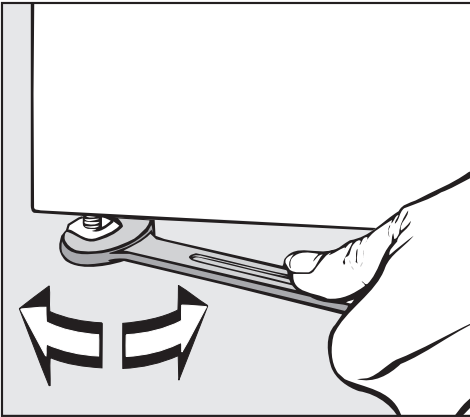
Niche height	Additional accessories required
820 mm	None
from 830-840 mm	Fit longer screw feet* (set to approx. 40 mm)
from 870-885 mm	One raising kit*
from 915-930 mm	Two raising kits*

\* these accessories are available to order

The tumble dryer must not be used without the front panel in place.

If the kitchen run has a continuous furniture plinth in place, a gap must be made for the tumble dryer.

## Levelling the appliance



- Turn the 4 screw feet to adjust the dryer to the correct height and level.

Longer screw feet are available as an optional accessory. Unscrew and remove the feet supplied with the appliance before fitting the longer screw feet.

The cover plate on the dryer must be aligned horizontally underneath the worktop.

⚠ The ventilation gaps in the plinth must not be covered over. This would hinder a sufficient flow of air to the dryer.

## Room ventilation

Air taken in for use in the drying process will be warm when it is expelled from underneath the dryer. This expelled air heats up the air in the room. It is therefore very important to ensure that the room is adequately ventilated, particularly if the dryer is located in a small room. Otherwise running times and energy consumption could be increased.

## Washer-dryer stack

The tumble dryer can also be combined with a Miele washing machine in a washer-dryer stack. The appropriate "WTV" stacking kit (available to order) to match your dryer is required.

⚠ The stacking kit must be fitted by a suitably qualified fitter.

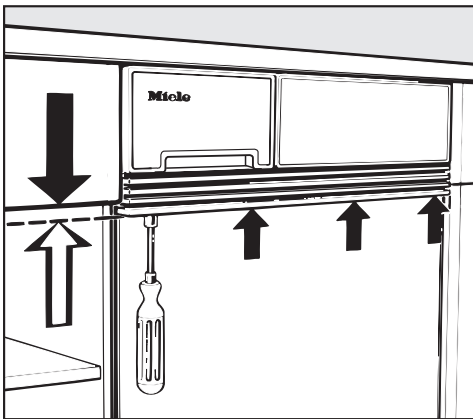
## Before moving the tumble dryer again (e.g. when moving house)

After each use a small quantity of condensed water will collect in the area around the pump. This water can run out if the dryer is tipped up when it is being moved. It is therefore a good idea to run the *Cool air* programme for approximately 1 minute before moving it. Any remaining condensed water will then be fed into the condensed water container or out through the drain hose.

# Installation and connection

## Matching the fascia panel to the height of adjacent drawer fronts

The fascia panel can be aligned with the drawer fronts by adjusting the spacer bars.



- Using a socket spanner, turn clockwise or anti-clockwise until the required height is reached.

If necessary individual bars can be removed or more added.

- To do this, use the socket spanner to loosen the nuts.

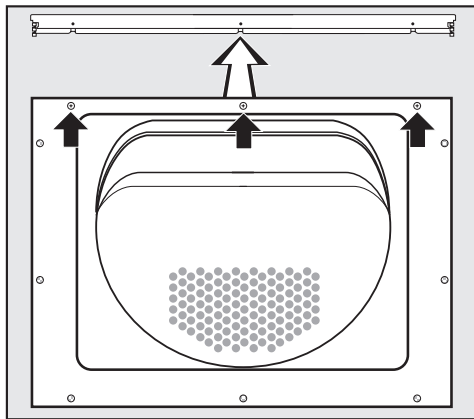
An adapter kit with spacer bars and longer screws can be ordered as an optional accessory. This can be used to add spacer bars from below up to a maximum of 25 mm.

After fitting the bars, cut or pinch off any excess length from the screws.

## Removing the spacer bars

All the spacer bars can be removed if the upper edge of the front panel needs to be flush with the upper edge of the appliance front directly underneath the fascia panel. See "Fitting a front panel made by another manufacturer".

- Open the door.



- Unscrew and remove the 3 screws (see arrows).
- Remove all the spacer bars.

The 3 holes which are now free should be used to screw the front panel to the machine front later on.



## Fitting the front panel

The appliance front can be fitted with a door panel to match other kitchen units.

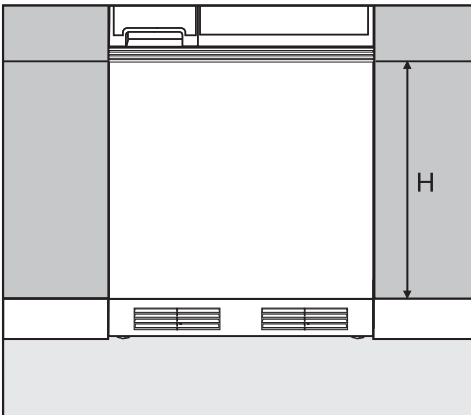
If fitted in a Miele kitchen, the door panel can be ordered pre-drilled with the necessary fixing holes.

If fitted in a non-Miele kitchen, a suitable panel will have to be drilled to suit by a qualified kitchen fitter. See "Fitting a door front panel made by another manufacturer" for details on preparing and drilling the fixing holes.

## Front panel dimensions

Width: 592-596 mm

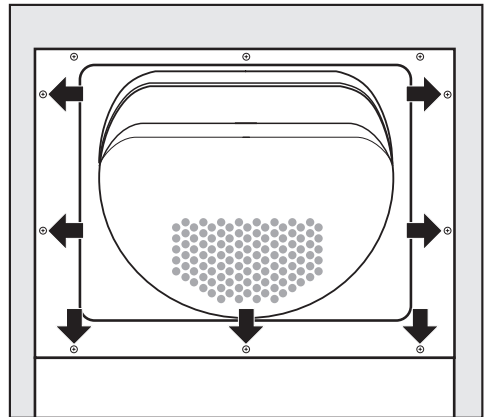
Thickness: 17 to 19 mm (corresponding to the thickness of the adjacent unit door front panels)



Height: The height of the door front panel corresponds to the door height (**H**) of the adjacent units.

## Fitting the front panel

- Open the door.
- Hold the front panel in the correct position in front of the appliance door.



- Screw the front panel to the machine door.

If all the spacer bars have been removed:

You can also make use of the 3 holes at the top of the door plate to screw the front panel to the door plate.

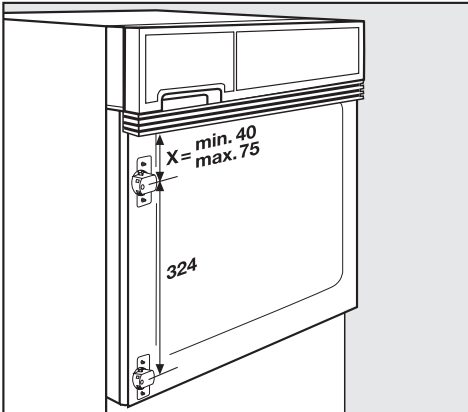
# Installation and connection

## Fitting a door front panel made by another manufacturer

### Preparing the front panel

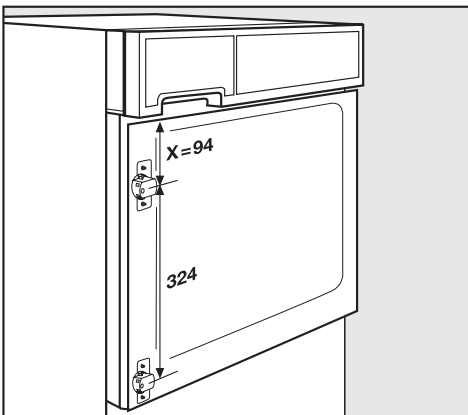
① Measure distance **X** for drilling the hinge holes.

– with spacer bars:



– without spacer bars:

(the front panel must be correspondingly higher)

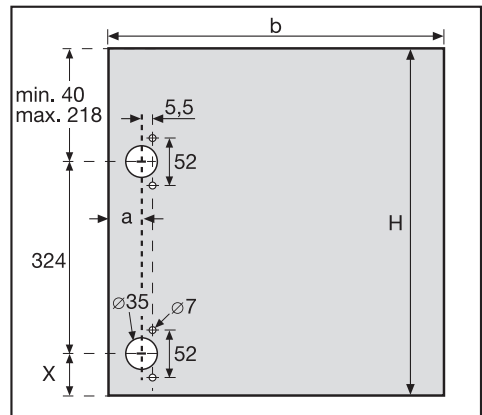


② Mark the two hinge holes and the four smaller holes as shown in the diagram.

Depending on country, this tumble dryer is supplied either left or right hand hinged.

For left hand hinging only:

– front panel shown decor side face down, upper edge at the bottom:



if width (**b**) increases, measurement **a** must also be increased

**b** = 592 mm → **a** = 21.5 mm

**b** = 593 mm → **a** = 22.0 mm

**b** = 594 mm → **a** = 22.5 mm

**b** = 595 mm → **a** = 23.0 mm

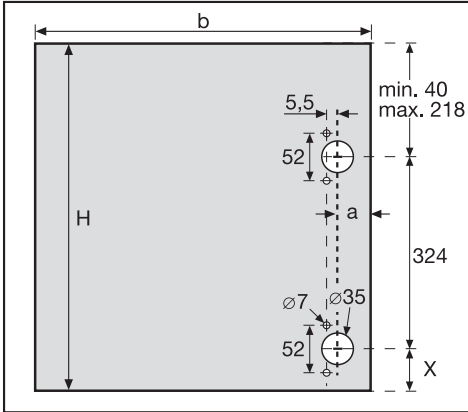
**b** = 596 mm → **a** = 23.5 mm

**H** = height of adjacent furniture unit doors.

# Installation and connection

**For right hand hinging only:**

– front panel shown decor side face down, upper edge at the bottom:



if width (**b**) increases, measurement **a** must also be increased

**b** = 592 mm → **a** = 21.5 mm

**b** = 593 mm → **a** = 22.0 mm

**b** = 594 mm → **a** = 22.5 mm

**b** = 595 mm → **a** = 23.0 mm

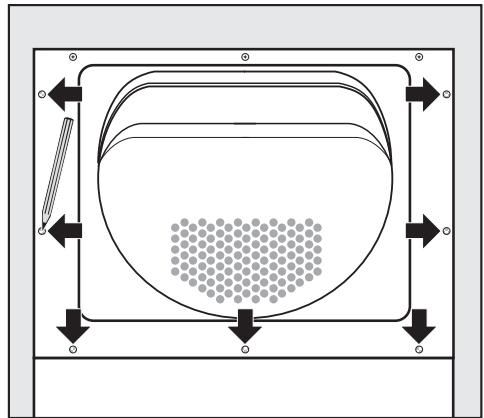
**b** = 596 mm → **a** = 23.5 mm

**H** = height of adjacent furniture unit doors.

- 3 Drill the two hinge holes (∅ 35 mm/15.5 mm deep) in the back of the front panel.
- 4 Next, drill the four smaller holes (∅ 7 mm/10 mm deep) in the back of the front panel.
- 5 Shorten the front panel from the bottom to height **H**.

## Preparing the fixing points

- 6 Hold the pre-drilled front panel in the correct position in front of the machine door.



- 7 Mark the fixing points on the back of the front panel through the holes in the machine door plate (see arrows in the illustration).
- 8 Remove the front panel.
- 9 Now drill holes (∅ 2.5 mm/10 mm deep) in the back of the front panel.

# Installation and connection

---

## Fitting a plinth facing

The gap between the lower edge of the tumble dryer plinth and the floor can be closed up using a suitable kitchen furniture plinth facing.

The tumble dryer plinth has a special groove in which a plinth facing can be fitted.

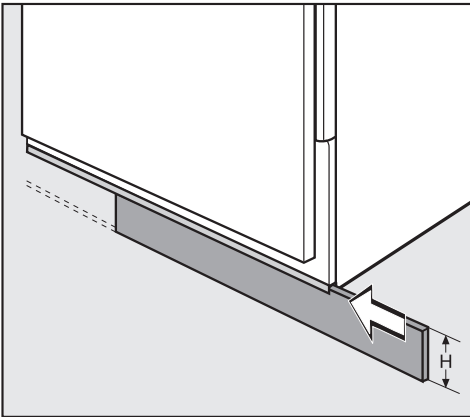
## Plinth facing dimensions

Length: 592 - 596 mm

Thickness: 8 mm

Height (H): The plinth facing height must be calculated after aligning the height of the appliance with the screw feet or after fitting the raising kit(s).

## Installation



- Calculate height (**H**) from the floor up into the groove (on the underside of the tumble dryer).
- Cut the plinth facing to size.
- Slide it into the groove.

Useful tip:

If the dryer is fitted on a raising kit, you can use double-sided adhesive tape on the back of the plinth facing to secure it to the raising kit.

## External condensed water outlet

### General notes

When drying is in progress, condensed water is pumped into the condensed water container through the drain hose at the back of the dryer. The condensed water can also be drained off directly if the dryer is installed near a sink, drain outlet etc. so that the condensed water container does not have to be emptied.

Drain hose length . . . . . 1.00 m

Extension hose . . . . . 2.00 m  
(accessory)

Maximum delivery head . . . . . 1.50 m

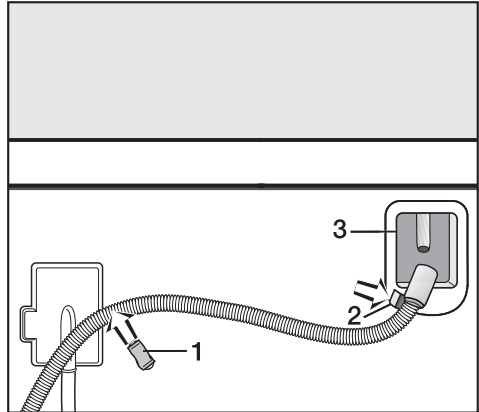
Maximum drain hose length . . . . 4.00 m

**⚠** If the on-site water drainage system is not fitted with a non-return valve or an appropriate air gap, an air gap or the non-return valve supplied with the dryer must be fitted to prevent the risk of back-flow. (See "Installation conditions requiring a non-return valve").

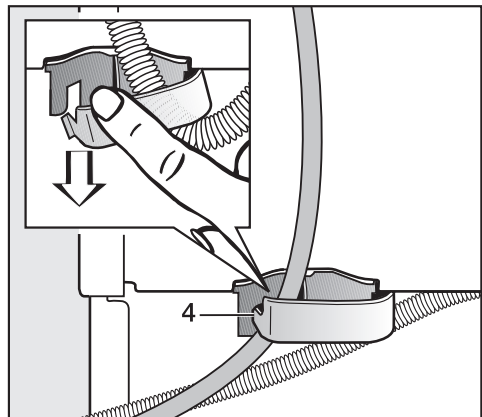
Maximum delivery head  
with non-return valve fitted . . . . . 1.00 m

### Arranging the drain hose

**⚠** Do not pull on the drain hose and do not stretch it or allow it to become kinked as it could get damaged.



- Unclip the drain hose from clips **(1)** and **(2)**.
- Then pull it off connection **(3)**.




- The lower clip **(4)** can be opened to allow you to take the drain hose out or to feed the mains cable through it.

# Installation and connection


## External drainage via a sink or gully

- See "Front view" illustration.

 If you want to drain the water off into a sink you will need to secure the hose carefully, e.g. by tying it to a tap to make sure it cannot slip during use. Otherwise there is a risk of overflowing water which could cause damage.

- Use the bow-shaped guide to prevent the drain hose from becoming kinked (see "Front view" illustration).

## Installation conditions requiring a non-return valve

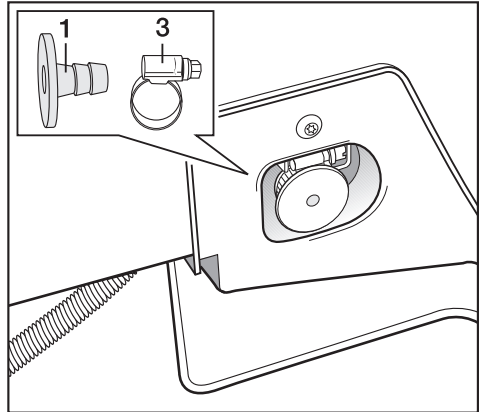
 If the on-site water drainage system is not fitted with a non-return valve or an appropriate air gap, an air gap or the non-return valve supplied with the machine must be fitted to prevent the risk of back-flow. Otherwise water could leak out of the dryer and cause damage.

A non-return valve is required:

- If the tumble dryer is connected to a sink drain outlet (see the following section).
- If the tumble dryer is to be connected to a drainage system **already in use** by another appliance, e.g. a dishwasher or washing machine.

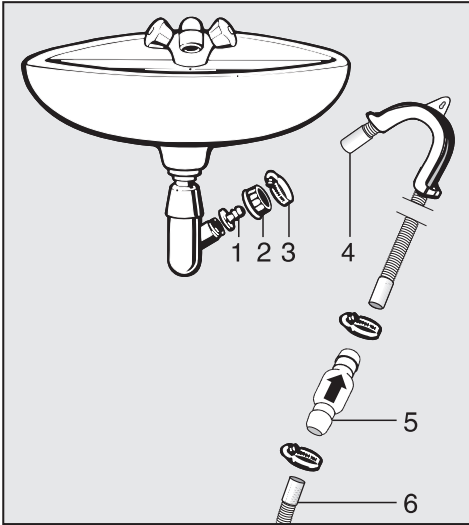
## Example: Connection to a sink drain outlet

The drain hose with non-return valve fitted can be connected directly to a suitable sink drain outlet.



- Remove the following from the back of the dryer at the bottom:  
Adapter **1** and hose clip **3** behind it.


## Installation and connection



- Fit adapter **1** to the sink drain outlet using nut **2**.

If this nut has a flat disc in it you should take the disc out first.

- Attach the end of the extension hose **4** to adapter **1**.
- Use a screwdriver to tighten hose clip **3** up close to the nut.

 Non-return valve **5** has to be fitted with the arrow pointing in the direction of flow (i.e. towards the sink). Otherwise water will not drain out of the machine.

- Fit non-return valve **5** to the drain hose on the dryer **6** (make sure it is fitted correctly (see arrow on non-return valve).
- Secure the non-return valve using hose clips (accessory).

- 1 Adapter
- 2 Nut
- 3 Hose clip
- 4 Extension hose (accessory)
- 5 Non-return valve (accessory)
- 6 Tumble dryer drain hose

# Electrical connection

---

## Electrical connection U.K.

All electrical work should be carried out by a suitably qualified and competent person, in strict accordance with current national and local safety regulations (BS 7671 in the UK).

Ensure power is not supplied to the appliance until after installation work has been carried out.

The appliance is supplied with a mains cable with moulded plug ready for connection to a 230-240V mains supply. Please ensure the connection data quoted on the data plate match the household mains supply.

Connection should be made via a suitable switched socket which is easily accessible after installation.

For extra safety it is advisable to protect the appliance with a suitable residual current device (RCD). Contact a qualified electrician for advice.

Do not connect via an extension lead. Extension leads do not guarantee the required safety of the appliance (e.g. danger of overheating).

## Non-rewireable plugs BS 1363

The fuse cover must be refitted when changing the fuse, and if the fuse cover is lost, the plug must not be used until a suitable replacement is obtained. The colour of the correct replacement cover is that of the coloured insert in the base of the plug, or the colour that is embossed in words on the base of the plug (as applicable to the design of plug fitted).

Replacement fuses should be ASTA approved to BS 1362 and have the correct rating. Replacement fuses and fuse covers may be purchased from your local electrical supplier.

**WARNING: THIS APPLIANCE  
MUST BE EARTHED**



# Consumption data

	Load <sup>1</sup>	Final spin speed in a domestic washing machine	Residual moisture	Energy	Duration
	kg	rpm	%	kWh	min.
<b>Cottons Normal<sup>2</sup></b>	6.0	1000	60	3,58	99
	6.0	1000	60	2,00	59
<b>Cottons Normal</b>	6.0	1200	53	3,25	91
	6.0	1400	50	3,10	86
	6.0	1600	44	2,75	78
	6.0	1800	43	2,70	77
<b>Cottons Normal + Short + Low temperature</b>	6.0	1000	60	3,35	88
	6.0	1000	60	3,60	120
<b>Cottons Hand iron ΔΔ</b>	6.0	1000	60	2,65	71
	6.0	1200	53	2,35	63
	6.0	1400	50	2,20	60
	6.0	1600	44	1,90	52
	6.0	1800	43	1,80	51
<b>Minimum iron Normal</b>	3.0	1200	40	1,15	34
<b>Minimum iron Normal + Short + Low temperature</b>	3.0	1200	40	1,15	32
	3.0	1200	40	1,20	39
<b>Minimum iron Hand iron</b>	3.0	1200	40	0,95	30
<b>Automatic plus Normal</b>	3.5	800	50	2,10	119
<b>Shirts Normal</b>	2.0	600	60	1,25	43
<b>Delicates Normal</b>	2.0	800	50	1,20	81
<b>Proofing Normal</b>	2.0	800	50	1,25	59
<b>Denim Normal</b>	3.0	900	60	2,40	119
<b>Woollens handcare</b>	2.0	1000	50	0,15	4
<b>Sportswear Normal</b>	2.0	600	50	1,35	61
<b>Outerwear Normal</b>	2.0	800	50	1,40	72
<b>Cottons hygiene</b>	6.0	1000	60	3,70	118

<sup>1</sup> Weight of dry laundry

<sup>2</sup> Test programme in accordance with Regulation 392/2012/EU for energy labelling measured in accordance with EN 61121.

All data was calculated using EN 61121 unless otherwise stated.

## Notes for test institutes:

Before testing in accordance with EN 61121, dry a 3 kg load of cotton laundry with 70% residual moisture as per the above standard using the Cottons Normal programme without any extra options.

**Consumption data can vary from the nominal values given above depending on the size of the load, types of textiles, residual moisture levels after spinning, fluctuations in the electricity supply and any extra options selected.**

## Technical data

---

Height	820 mm
Width	595 mm
Depth	575 mm
Suitable for stacking	Yes
Weight	54 kg
Drum volume	100 litres
Maximum capacity	6 kg dry weight
Capacity of condensed water container	approx. 3.5 litres
Drain hose length	950 mm
Maximum delivery head	1.5 m
Maximum drain hose length	4 m
Length of connection cable	2 m
Voltage	see data plate
Connected load	see data plate
Fuse rating	see data plate / plug
Lamp wattage	see data plate
Energy consumption	see "Consumption data"
Test certificates awarded	see data plate

The Settings menu is used to alter the dryer's electronics to suit different requirements. Settings can be altered at any time.

## Open the Settings menu



- Use the top right hand sensor to select the *Settings* menu.
- Confirm with **OK**.

## To select a setting



- The sensors on the right can be used to scroll up or down the list.

## Language

The display can be set to appear in one of several different languages.

To select the language you want, go to the *Language* sub-menu.

The flag after the word *Language* acts as a guide to prevent a language which will not be understood from being set.

# Settings menu

---

## Time

The time can be set to appear as a 24 hour or 12 hour clock. You can also use this setting to adjust the time of day.

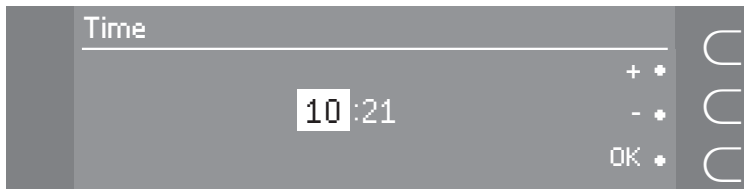
## Clock format



- Select the format you want.

The dryer is delivered with the clock format set as a 24 hour clock.

## Set the time of day



- Use the + and - sensors to set the hour.
- Confirm the hours with **OK** and then enter the minutes.

## Drying levels

You can alter the drying levels for the *Cottons*, *Minimum iron* and *Automatic plus* programmes.

The bars show you the setting.  
The default is: the middle setting.

- Drier ■■■■■■■■  
the programme duration increases.
- Damper ■  
the programme duration is shorter.

## Extended cool down

The cooling down phase which takes place before the end of a programme can be lengthened by 2, 4, 6 ... up to 18 minutes if required. This helps textiles cool down more intensely.

The programme duration increases in 2 minute increments.

Extended cooling down can only be selected for programmes that offer different drying stages.

Factory default: Normal cooling down phase.

## Airways indicator

Fluff should be removed after drying. The Clean out airways message will remind you to do this when a certain amount of fluff has collected. You can decide at what level of fluff this reminder should be given.

You will have an idea of how often this should be done after a few drying programmes.

### Off

*Clean out airways* does not appear.

### Heavy

*Clean out airways* only appears when there is a heavy build-up of fluff

### Normal

Factory default

### Light

*Clean out airways* appears when there is only a small build-up of fluff.

# Settings menu

---

## Code

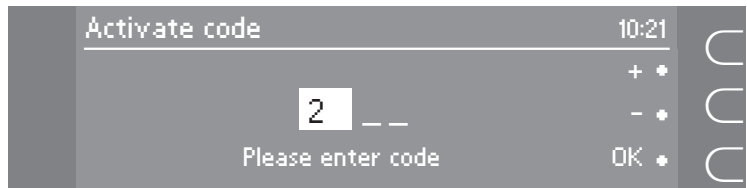
The code prevents the dryer being used without your knowledge.

When the code has been activated, you have to enter a code after switching the dryer on. Otherwise the dryer cannot be operated.

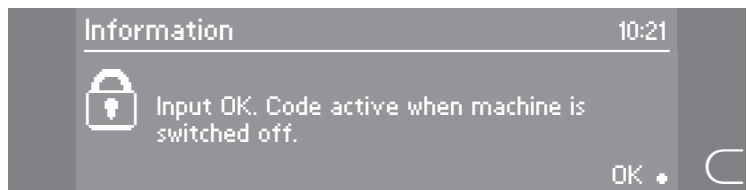
The door can be opened and items removed at any time.

### To activate the code

The display will now request that a code is entered. The code is **250** and cannot be altered.



- Use **+** to enter the first number.
- Confirm the first number with **OK** and then enter the second number. Repeat the process until all three numbers have been entered.
- After the last number has been entered, you must confirm the code with **OK**.



- Confirm with **OK**.
- Switch the dryer off.

### To use the dryer when the lock code is activated

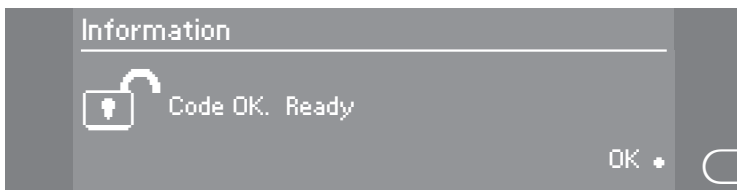
When the dryer is switched on again, the display will request the code.

- Enter code **250** with the **+** and **-** sensors.

The dryer is now unlocked and ready for use.

### To deactivate the code

- Proceed as for activating the code.



- Confirm with **OK**.

You can now switch on the dryer without being asked to enter a code.

# Settings menu

---

## Buzzer

When the buzzer function has been activated, an audible tone sounds at the end of a programme.

### Off

Factory default

The buzzer is switched off but sounds at maximum volume if there is a fault.

### Normal

The buzzer sounds at the end of a programme.

### Loud

The buzzer sounds louder at the end of a programme.

## Keypad tone

An audible tone sounds each time a button is pressed.

### Off

Factory default

### On

## Brightness

## Contrast

The display contrast and brightness can be altered in stages.

The bars ■■■■■■■■■■ show you which level is set.

If you make an alteration it will appear in the display immediately.

## Display / keypad illumination

The display and sensor illumination switches off to save energy. *Start* flashes slowly to save energy.

The display and the sensors are not illuminated.

- if a programme is not selected within 10 minutes of the tumble dryer being switched on.
- 10 minutes after the end of a programme.

Press the *Start* sensor to activate the display and sensor illumination again.

### Off after 10 minutes

The display and sensor illumination will switch off 10 minutes after the programme has started.

### "On" whilst programme is running

Factory default

The display and sensors remain lit up whilst the programme is running.



## Memory

The electronics will memorise the drying level and some of the extra options selected for the current drying programme and the duration of a timed drying programme.

When the programme is chosen again these settings will appear in the display.

### Off

Factory default

### On

## Anti-crease

Anti-crease helps prevent creasing, if laundry is not normally removed immediately after the end of a programme.

After the programme has finished, the drum will continue to rotate at intervals.

There is no anti-crease phase with *Wollens*.

### Off

### 1 hour

### 2 hours

(Factory default)





## United Kingdom

Miele Co. Ltd.  
Fairacres, Marcham Road  
Abingdon, Oxon, OX14 1TW  
Tel: 0845 365 0555, Fax: 0845 365 0777  
Customer Contact Centre Tel: 0845 365 6600  
E-mail: [info@miele.co.uk](mailto:info@miele.co.uk)  
Internet: [www.miele.co.uk](http://www.miele.co.uk)

## Australia

Miele Australia Pty. Ltd.  
ABN 96 005 635 398  
1 Gilbert Park Drive, Knoxfield, VIC 3180  
Tel: 1300 464 353, Fax: (03) 9764 7149  
Internet: [www.miele.com.au](http://www.miele.com.au)

## China

Miele (Shanghai) Trading Ltd.  
1-3 Floor, No. 82 Shi Men Yi Road  
Jing' an District  
200040 Shanghai, PRC  
Tel: +86 21 6157 3500, Fax: +86 21 6157 3511  
E-mail: [mieleshanghai@cn.miele.com](mailto:mieleshanghai@cn.miele.com)  
Internet: [www.miele.cn](http://www.miele.cn)

## Miele (Hong Kong) Limited

41/F - 4101, Manhattan Place  
23 Wang Tai Road  
Kowloon Bay  
Hong Kong  
Tel: (852) 2610 1331, Fax: (852) 2610 1013  
Email: [mielehk@miele.com.hk](mailto:mielehk@miele.com.hk)

## India

Miele India Pvt. Ltd.  
Ground Floor, Copia Corporate Suites  
Plot No. 9, Jasola  
New Delhi - 110025  
Tel: 011-46 900 000, Fax: 011-46 900 001  
E-mail: [customercare@miele.in](mailto:customercare@miele.in), Internet: [www.miele.in](http://www.miele.in)

## Ireland

Miele Ireland Ltd.  
2024 Bianconi Avenue  
Citywest Business Campus, Dublin 24  
Tel: (01) 461 07 10, Fax: (01) 461 07 97  
E-Mail: [info@miele.ie](mailto:info@miele.ie), Internet: [www.miele.ie](http://www.miele.ie)

## Manufacturer: Miele & Cie. KG

Carl-Miele-Straße 29, 33332 Gütersloh, Germany

# Miele

## Malaysia

Miele Sdn Bhd  
Suite 12-2, Level 12  
Menara SapuraKencana Petroleum  
Solaris Dutamas No. 1, Jalan Dutamas 1  
50480 Kuala Lumpur, Malaysia  
Phone: +603-6209-0288  
Fax: +603-6205-3768

## New Zealand

Miele New Zealand Limited  
Unit L, 10-20 Sylvia Park Road  
Mt. Wellington, 1060, Auckland, NZ  
Tel: 0800 264 353, Fax: 0800 463 453  
Internet: [www.miele.co.nz](http://www.miele.co.nz)

## Singapore

Miele Southeast Asia  
Miele Pte. Ltd.  
163 Penang Road  
# 04 - 02/03 Winsland House II  
Singapore 238463  
Tel: +65 6735 1191, Fax: +65 6735 1161  
E-Mail: [infosea@miele.com.sg](mailto:infosea@miele.com.sg)  
Internet: [www.miele.sg](http://www.miele.sg)

## South Africa

Miele (Pty) Ltd  
63 Peter Place, Bryanston 2194  
P.O. Box 69434, Bryanston 2021  
Tel: (011) 875 9000, Fax: (011) 875 9035  
E-mail: [info@miele.co.za](mailto:info@miele.co.za)  
Internet: [www.miele.co.za](http://www.miele.co.za)

## United Arab Emirates

Miele Appliances Ltd.  
P.O. Box 11 47 82  
Gold & Diamond Park  
Sheikh Zayed Road  
Building 6 / Offices Nos. 6-214 to 6-220  
Dubai  
Tel: +971-4-341 84 44  
Fax: +971-4-341 88 52  
E-Mail: [info@miele.ae](mailto:info@miele.ae), Internet: [www.miele.ae](http://www.miele.ae)

## Free Manuals Download Website

<http://myh66.com>

<http://usermanuals.us>

<http://www.somanuals.com>

<http://www.4manuals.cc>

<http://www.manual-lib.com>

<http://www.404manual.com>

<http://www.luxmanual.com>

<http://aubethermostatmanual.com>

Golf course search by state

<http://golfingnear.com>

Email search by domain

<http://emailbydomain.com>

Auto manuals search

<http://auto.somanuals.com>

TV manuals search

<http://tv.somanuals.com>