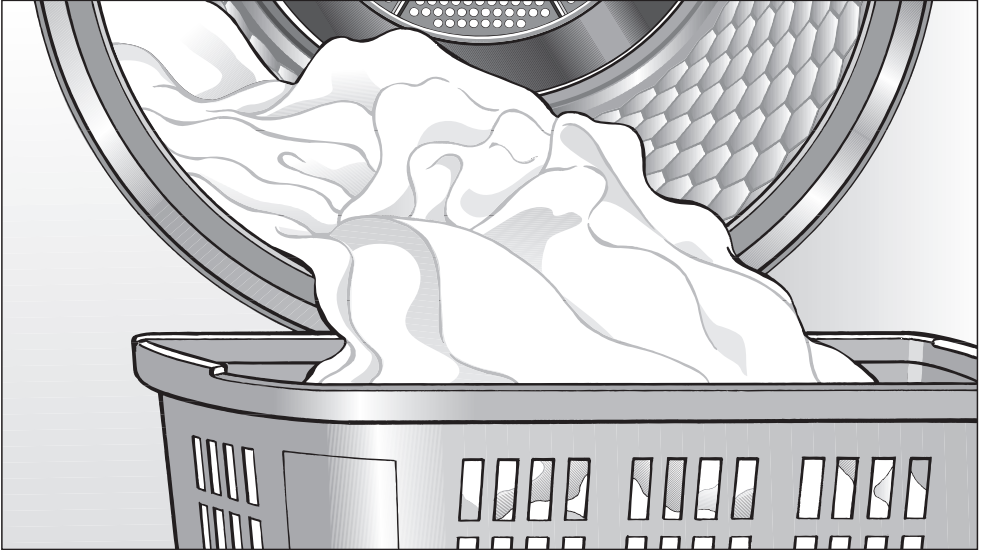


Operating instructions



for heat pump tumble dryer T 8866 WP

To avoid the risk of accidents or damage to the appliance it is **essential** to read these instructions before it is installed and used for the first time.

en - GB

M.-Nr. 09 388 540

Caring for the environment

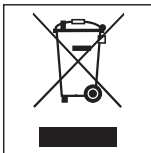
Disposal of the packing material

The transport and protective packing has been selected from materials which are environmentally friendly for disposal and should be recycled.

Ensure that any plastic wrappings, bags, etc. are disposed of safely and kept out of the reach of babies and young children. Danger of suffocation.

Disposing of your old appliance

Electrical and electronic appliances often contain materials which, if handled or disposed of incorrectly, could be potentially hazardous to human health and to the environment. They are, however, essential for the correct functioning of your appliance. Please do not therefore dispose of it with your household waste.



Please dispose of it at your local community waste collection / recycling centre or contact your dealer for advice.

Ensure that it presents no danger to children while being stored for disposal.

Energy saving tips

To avoid unnecessarily long drying times and high consumption of energy:

- Make sure that your laundry is thoroughly spun before drying. The higher the spin, the greater the savings that can be made in energy and time during drying.
- Load according to the optimum amount of laundry recommended for the programme being used. Underloading is uneconomical. Overloading gives a poorer quality of drying, and may cause unnecessary creasing.
- Make sure that the room temperature is not too high. If there are other heat producing appliances in the room in which the dryer is located, make sure the room is well ventilated and switch the other appliances off, if possible.
- After every cycle remove fluff from the surfaces of the fluff filters.

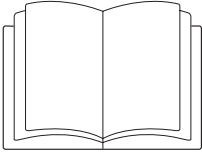
Caring for the environment	2
Warning and Safety instructions	6
Operating the tumble dryer	14
Control panel	14
Notes on laundry care	16
Garment care label symbols	16
Tips on drying	16
How to dry correctly	17
Brief instructions	17
Extra options / Delay start	20
Extra options	20
Gentle tumble	20
Buzzer	20
Delay start	20
Programme chart	21
Changing the programme sequence	24
Once a programme has started	24
- cancelling the programme and then selecting a different programme	24
- cancelling the programme and then removing the laundry	24
Altering Delay start	24
Adding or removing laundry after a programme has started	24
Time remaining	24
Cleaning and care	25
Emptying the condensed water container	25
Make sure you clean all the filters at the correct intervals	26
When to clean the surfaces of the fluff filters	26
When to clean the fine filter	26

Contents

Cleaning the surfaces of the fluff filters	27
Cleaning them whilst dry	27
Cleaning with water	28
Replacing the filters	28
Fine filter	29
Removing	29
Cleaning the fine filter	29
Cleaning the cover for the fine filter	30
Cleaning the heat exchanger	30
Replacing	31
Cleaning the tumble dryer	31
Problem solving guide	32
Check and fault messages	32
An unsatisfactory drying result	34
Other problems	35
Cleaning the cooling fins (bottom right grille)	37
Changing the lamp	38
After Sales service	39
Repairs	39
Future updates (PC)	39
Appliance guarantee	39
Optional accessories	39
Installation and connection	40
Front view	40
Rear view	41
Transporting the dryer	41
Installation site	42
Building under a continuous worktop/ in a row of kitchen units	42
Levelling the appliance	43
Washer-dryer stack	43

External condensed water outlet	44
Arranging the drain hose	44
External drainage via a sink or gully	45
Installation conditions requiring a non-return valve	45
Electrical connection	47
Electrical connection U.K.	47
Consumption data	48
Technical data	49
Electronic system lock	51
Programmable functions	52
Altering the residual moisture level in the Cottons programme	52
Altering the residual moisture level in the Minimum iron programme	53
Anti-crease	54
Altering the volume of the buzzer	55
Altering the residual moisture level in the Automatic plus programme	56
Standby	57
Memory function	59
Keypad tone	60
Adjusting the dryer's electronics for very soft water	61
Extending the range of the drying levels	62
Optional accessories	63

Warning and Safety instructions



► It is **essential** to read these instructions.

This tumble dryer conforms to current safety requirements. Inappropriate use can, however, lead to personal injury and damage to property.

To avoid the risk of accidents and damage to the tumble dryer, please read these instructions carefully before using it for the first time. They contain important information on its safety, installation, use and maintenance.

Keep these instructions in a safe place and ensure that new users are familiar with the content. Pass them on to any future owner.

Correct application

► This tumble dryer is not designed for commercial use. It is intended for use in domestic households and similar working and residential environments.

► The tumble dryer is not intended for outdoor use.

► It must only be used as a domestic appliance to dry items which have been washed in a water solution and which are marked on the manufacturer's care label as being suitable for tumble drying. If using dry cleaning kits, do so at your own risk, and follow the instructions provided on the packaging.

Any other usage is not supported by the manufacturer and could be dangerous. Miele cannot be held liable for damage resulting from incorrect or improper use or operation.

Warning and Safety instructions

▶ The tumble dryer can only be used by people with reduced physical, sensory or mental capabilities, or lack of experience or knowledge, if they are supervised whilst using it or have been shown how to use it in a safe way and understand the hazards involved.

Safety with children

▶ Children under 8 years of age must be kept away from the tumble dryer unless they are constantly supervised.

▶ Children 8 years and older may only use, clean or maintain the tumble dryer without supervision if they have been shown how to do so in a safe way and understand the hazards involved.

▶ The tumble dryer is not a toy! To prevent the risk of injury, do not allow children to play with it or near it, or to play with the controls.

Warning and Safety instructions

Technical safety

▶ Before setting up the tumble dryer, check it for any externally visible damage.

Do not install or use a damaged tumble dryer.

▶ Before connecting the tumble dryer, ensure that the connection data on the data plate (voltage and frequency) match the mains electricity supply. If in any doubt, consult a qualified electrician.

▶ The electrical safety of this tumble dryer can only be guaranteed when correctly earthed. It is most important that this basic safety requirement is observed and regularly tested, and where there is any doubt, the household wiring system should be inspected by a qualified electrician. Miele cannot be held liable for the consequences of an inadequate earthing system (e.g. electric shock).

▶ Do not connect the tumble dryer to the mains electricity supply by an extension lead. Extension leads do not guarantee the required safety of the tumble dryer (e.g. danger of overheating).

▶ If the electrical connection cable is faulty it must only be replaced by a Miele approved service technician to protect the user from danger.

▶ Unauthorised repairs could result in unforeseen dangers for the user, for which Miele cannot accept liability. Repairs should only be undertaken by a Miele approved service technician, otherwise any subsequent damage will not be covered by the guarantee. Ensure current is not supplied to the tumble dryer until after maintenance or repair work has been carried out.

▶ Faulty components must only be replaced by genuine Miele original spare parts. Only when these parts are fitted can the safety standards of the tumble dryer be guaranteed.

Warning and Safety instructions

- ▶ The tumble dryer must be isolated from the electricity supply in the event of a fault and during cleaning and maintenance.
- ▶ The tumble dryer must not be used in a non-stationary location (e.g. on a ship).
- ▶ Do not make any alterations to the tumble dryer, unless authorised to do so by Miele.
- ▶ Heat pump technology and refrigerant:
The heat pump in this tumble dryer uses a refrigerant which is condensed by the compressor and led in a closed circuit through the heat exchanger unit where heat exchange with the circulating drying air takes place.
 - The humming noises caused by the heat pump are normal and do not impair the efficient functioning of the dryer.
 - The refrigerant is not flammable or explosive.
 - In general it is not necessary to leave the dryer standing for any length of time before it is put into operation provided it has been transported correctly (see "Installation").
However, if it has not been transported as described, ensure that the recommended standing time prior to first operation is observed. Otherwise the heat pump can be damaged.
- ▶ In areas which may be subject to infestation by cockroaches or other vermin, pay particular attention to keeping the tumble dryer and its surroundings in a clean condition at all times. Any damage which may be caused by cockroaches or other vermin will not be covered by the guarantee.

Warning and Safety instructions

Correct use

- ▶ To prevent the risk of fire, the following textiles must not be dried in this appliance:
- items which have not been washed.
 - items, such as workwear, which have not been thoroughly cleaned and which are still soiled with grease, oil or other deposits (such as cosmetics, lotions etc).
If items have not been thoroughly cleaned there is a danger that these might self-ignite when heated, even after they have been removed from the dryer at the end of the programme.
 - items (e.g. mops and floor cloths) which have been treated with inflammable cleaning agents or which contain residues of acetone, alcohol, benzine, petrol, kerosene, stain remover, turpentine, wax and wax remover or other chemicals.
 - items which have been splashed with hair lacquer, hair spray, nail varnish remover or similar substances.

When washing such heavily soiled items, ensure that you use additional detergent and select a high temperature. If in doubt, wash the items several times.

- ▶ Remove all items such as lighters and matches from pockets.
- ▶ **Warning:** Do not switch the tumble dryer off before the drying programme has finished. If this is done, the laundry must be hung up or spread out to cool it down.

Warning and Safety instructions

► Danger.

This tumble dryer must not be connected to a controllable socket (e.g. a timer switch or a peak load shut-off device).

If the dryer programme were to be interrupted before the end of the cooling down phase, the laundry could self-combust.

► To prevent the risk of fire, the following must not be tumble dried:

- items which have been cleaned using chemicals (e.g. professional dry-cleaning agents).
- fabrics which contain a large proportion of rubber, foam rubber or rubber-like materials. For example, products made from latex foam rubber, shower caps, waterproof textiles, rubberised articles and items of clothing and pillows with foam rubber filling.
- damaged items which contain padding or fillings (e.g. pillows, jackets). When damaged, the filling can get out with the risk of igniting in the dryer.

► In many programmes, the heating phase is followed by a cooling down phase to ensure that the items are not too hot to handle when you remove them (this also avoids the danger of the laundry self-igniting). The programme is not finished until the cooling down phase has been completed.

As soon as the programme has finished, remove all laundry from the drum.

► Fabric conditioner and similar products must be used according to the instructions on the manufacturer's packaging.

► Do not let anyone sit or lean on the door, as this can cause the tumble dryer to tip up.

► Always close the door after use. This way you will avoid the danger of:

- children climbing into the dryer or hiding things in it.
- pets or other small animals climbing into it.

Warning and Safety instructions

- ▶ The tumble dryer must not be used:
 - without the fluff filters in place or if the fluff filters are damaged in any way.
 - without the fine filters in place or if the fine filters are damaged in any way.

This would cause an excessive build-up of fluff which in turn would cause a fault.

- ▶ After every cycle remove fluff from the surfaces of the fluff filters.
- ▶ The fluff filters and the fine filters must be thoroughly dried after cleaning. Damp or wet filters could cause operational faults.
- ▶ Do not install the tumble dryer in a room where there is a risk of frost occurring. At temperatures around freezing point the tumble dryer may not be able to operate properly. There is a risk of damage if the condensed water is allowed to freeze in the pump and in the drain hose.
- ▶ If the water is drained externally instead of being collected in the condensed water container, make sure the drain hose is securely attached if you hang it in a sink or basin to avoid the hose slipping and the water causing damage.
- ▶ Condensed water is not drinking water. It can cause health problems in both people and animals.
- ▶ Always keep the area around the tumble dryer free of dust and fluff. Dust drawn into the tumble dryer can cause blockages in the heat exchanger unit over time.
- ▶ The tumble dryer must not be hosed down.

Accessories

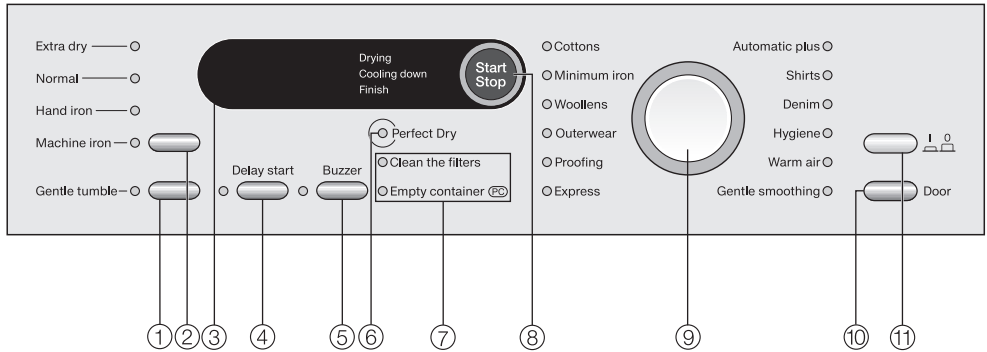
► Only use genuine Miele original spare parts and accessories with this tumble dryer.

If non-Miele parts are used, guarantee, performance and product liability claims may be invalidated.

Miele cannot be held liable for damage caused by non-compliance with these Warning and Safety instructions.

Operating the tumble dryer

Control panel



① **Gentle tumble button**

Delicate fabrics are dried using reduced mechanical action.

② **Drying level button**

with indicator lights to show the drying level selected for sensor controlled drying programmes. See also "How to dry correctly".

③ **Display**

See next page.

④ **Delay start button**

This button is used for:

- Delaying the start of a programme
- Selecting the duration of the timed drying *Warm air* programme.

⑤ **Buzzer button**

An audible tone sounds at the end of the programme.

⑥ **Perfect Dry indicator**

For all sensor controlled drying programmes. See next page.

⑦ **Check lights**

See "Problem solving guide" and "After sales service" for a description of these.

⑧ **Start/Stop button**

For starting or cancelling a programme.
The button flashes while a programme is being selected and then lights up constantly after the programme has started.

⑨ **Programme selector**

Can be turned clockwise or anti-clockwise. Indicator lights show the programme selected.

⑩ **Door button**

Pressing this button will open the door even when the dryer is switched off at the mains.

⑪ **On/Off button**

For switching the appliance on and off.

The display shows:

- Programme duration
- Programme stage
 - Drying*
 - Cooling down*
 - Finish*
- Check and fault messages

The following are selected via the display:

- Duration of the *Warm air* programme
- Delay start.
You can select a programme and set it to start automatically at a later time.
- Programmable functions.
Default settings can be altered to adapt the dryer to different requirements. See "Programmable functions".

Perfect Dry indicator

The Perfect Dry system measures the residual moisture content in the laundry in sensor controlled programmes to ensure perfect drying results.

After a programme has started, the electronics will estimate the duration of the programme (time remaining). The *Perfect Dry* indicator will flash while this is happening.

After a short while, the programme duration will appear in the display and the indicator will go out.

The *Perfect Dry* indicator will light up again when the selected drying level is reached and remain on until the programme is finished.

The *Perfect Dry* indicator does not light up during time controlled programmes:

Woolens, Proofing, Warm air, Gentle smoothing.

Estimated time remaining


The estimated duration (time remaining) will appear in the display.

The following factors all affect the estimated time remaining: residual moisture content after spinning; type of fabric; size of load; room temperature; fluctuations in power supply.

The electronics continually assess conditions in the machine and adjust the estimated time remaining for a more accurate reading. Because of this, the time displayed can alter during the course of a programme.



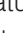





Programmes can also finish earlier than expected, if, for example, particularly fine fabric is being dried, the load is very small or items were partially dry beforehand.

Before using for the first time

 Ensure that the dryer is installed and connected to the electricity supply correctly. If the tumble dryer has not been transported as described in "Installation and connection" then it must be left to stand for at least 1 hour before it is connected to the electricity supply.

Notes on laundry care

Garment care label symbols

Drying	
	Normal/low temperature Drying is carried out at a low temperature in every programme in this dryer, so you do not need to sort your garments according to whether they have the  or  symbol.
	Do not tumble dry
Ironing	
	Very hot
	Hot
	Warm
	Do not iron

Tips on drying

- Always observe the maximum recommended loads given in the "Programme chart". Never overload the drum.

Overloading can cause unnecessary wear and tear to the laundry, give a disappointing drying result and cause more creasing.

- Do not put soaking wet items into the tumble dryer. Spin fabrics for at least 30 seconds before drying.
- Open jackets so that they can dry evenly.
- Use the *Automatic plus* programme for drying mixed loads of cottons and minimum iron fabrics.

- Pure linen should only be machine dried if specified as suitable by the manufacturer on the garment care label, as the surface of the fabric may otherwise become rough.
- Loopknit garments (e.g. T-shirts and underwear) tend to shrink depending on their quality. Do not over-dry these textiles. When purchasing these garments it is advisable to take their shrinkage properties into account.
- Minimum iron fabrics tend to crease more, the larger the load. This is also the case for garments made from very fine weave fabrics, such as shirts or blouses.
Make sure you select a suitable programme. If in doubt, divide the garments into smaller loads and select the *Gentle tumble extra* option.
- Starched laundry can be dried in the tumble dryer. To achieve the usual finish, double the amount of starch should be used.
- New dark coloured garments should be washed and dried separately from light coloured garments to avoid the danger of colours running and discolouring other garments or even plastic components in the dryer. Dark coloured fibres can also settle on light coloured garments and vice versa.


Brief instructions

The headings numbered (1, 2, 3 ...) show the operating sequence and can be used as a brief guide to using your dryer.

1 Sort the laundry

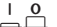
To ensure an even drying result sort laundry according to:

- ... the drying level required
- ... the type of fibre or weave
- ... size
- ... the moisture content after spinning.

 Make sure that objects e.g. detergent dispensing balls have been removed from the laundry. They could melt, and cause damage to the dryer or the laundry.

- Check seams and stitching to ensure that padding and linings are intact.
- Fasten duvet covers and pillow cases to prevent small items from being trapped inside them.
- Fasten hooks and eyes etc.
- Tie fabric belts and apron strings.
- Sew in or remove underwiring from bras.

2 Turn on the tumble dryer

- Switch the dryer on by pressing the *On/Off*  button in.

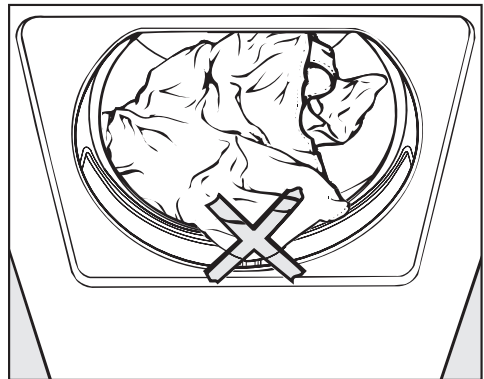
The tumble dryer may be switched on after loading, saving energy as the light will not come on.

3 Load the tumble dryer

- Press the *Door* button to open the door.
- Load the laundry loosely into the drum.

Do not overload the drum. See the "Programme chart" for recommended loads for each programme. Overloading can cause unnecessary wear and tear to the laundry and give a disappointing drying result.

- Before closing the door make sure the fluff filter is correctly positioned.

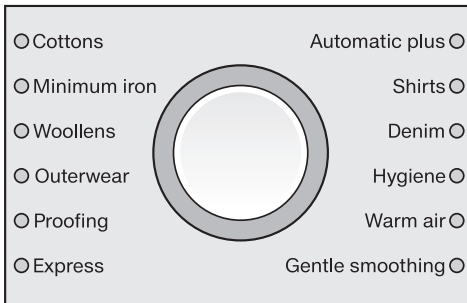


Check the laundry is right inside the drum so that it cannot get trapped or damaged when the door is shut.

- Shut the door either with a gentle swing, or lean against it and push it shut.

How to dry correctly

4 Select a programme



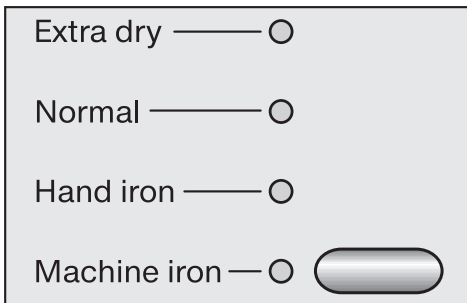
- Select the programme you want.

The indicator for the programme selected will light up.

A drying level or extra option indicator may also light up and the duration may also be displayed.

Drying level programmes

- *Cottons, Minimum iron, Outerwear, Express, Automatic plus, Shirts, Denim, Hygiene*



- Press the drying level button repeatedly until the indicator for the drying level you want lights up.

Any of the four drying levels can be selected for the *Cottons* and *Express* programmes. The choice of drying level is limited for the other programmes and

the drying level for the *Hygiene programme* cannot be changed.

Note

You can extend the range of the drying levels for some programmes (see "Programmable functions").

***Gentle smoothing, Woollens, Proofing* programmes**

- These programmes cannot be changed.

Selecting the duration of the timed drying ***Warm air* programme**

The indicator light for the *Delay start* button will flash when the *Warm air* programme is selected.

- Press the *Delay start* button repeatedly until the required duration shows in the display.

You can select a duration of **20** minutes up to **2:00** hours in 10 minute steps.

5 Select any Extra options / Delay start

- *Gentle tumble, Buzzer and Delay start* are selected by pressing the appropriate button (see "Extra options/Delay start"). *Anti-crease* (see next page) is permanently switched on.

N.B.: It is not possible to select *Delay start* when using the *Warm air* programme.

6 Start the programme

The *Start/Stop* button will flash when a programme is being selected. The flashing indicates that a programme can be started.

- Press the *Start/Stop* button.

The *Start/Stop* button will now light up constantly.

The *Perfect Dry* indicator will only flash or light up constantly with the sensor controlled drying programmes. It will not come on at all with timed drying programmes (see "Operating the tumble dryer").

Please note: The programme duration shown in the display is an estimate and can vary.

Before the end of a programme

There is a cooling down phase at the end of the drying sequence (*Cooling down* will light up). The programme is not finished until the cooling down phase has been completed.

7 Remove the laundry when the programme has finished

0 and *Finish* will appear in the display to indicate that the programme has finished. The buzzer (if selected) will sound at intervals.

The drum will continue to rotate at intervals for up to two hours to prevent laundry creasing, if you do not wish to remove it immediately (anti-crease phase). There is no anti-crease phase at the end of the *Woolens* programme.

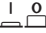
The dryer has a standby mode: after the programme has finished the display

will go out and the *Start/Stop* button will flash slowly. See also "Programmable functions".

- Press the *Door* button.
- Open the door.
- Remove the laundry.

Check that all items have been removed from the drum. If items are left in the dryer, they could be damaged by overdrying when the dryer is next used.

If the dryer is switched on at the mains and the door is opened, the drum lighting will come on. It will go out a few minutes later to save energy.

- Press the  button to switch the dryer off.
- Clean the fluff filters.
- Close the door.
- Empty the condensed water container.
We recommend connecting the dryer for external drainage as you will not need to empty the condensed water container.

Extra options / Delay start

Extra options

The relevant indicator light will come on when the option is selected.

Gentle tumble

For drying items which can be dried in a tumble dryer but which are particularly susceptible to creasing or which are not suitable for drying with a great deal of mechanical action. When this option is selected, the drum will rotate less frequently.

The programme duration is longer. If in doubt, reduce the load.

Buzzer

A buzzer sounds (at intervals for a maximum of 1 hour) to let you know the programme has finished.

The buzzer will always sound when there is a fault, even if it has been switched off.

Delay start

Delay start allows you to delay the start of a programme from 30 minutes up to a maximum of 24 hours.

- Select a programme.
- Press the *Delay start* button repeatedly until the required delay period shows in the display.
 - The *Delay start* indicator light will flash.
 - Times of up to *10h* are selected in steps of half an hour, and more than *10h* in one-hour steps.

- If you keep the *Delay start* button pressed in, the time will continue to increase up to *24h*.

To begin delay start

- Press the *Start/Stop* button.
 - The *Delay start* indicator will light up constantly.
 - Delay start times of more than *10h* will count down in hours, and of less than *10h* in minutes to the start of the programme.
 - The drum will turn briefly every hour to help prevent creasing.

To cancel / alter delay start

- Press the *Start/Stop* button to cancel delay start.
- To alter the delay start time, press the *Delay start* button repeatedly until the required delay period shows in the display.
- Press the *Start/Stop* button to start the altered delay start time counting down from the beginning again.

To add laundry after the delay start time has started counting down

While the delay start time is counting down, you can still add laundry to the drum:

- Switch the dryer off.

Opening the door without switching the dryer off will cancel delay start.
- Open the door and add the laundry.
- Close the door and switch the dryer back on again.

Extra options

Gentle tumble	
This option can be selected with the following programmes:	<i>Cottons, Minimum iron, Shirts, Denim, Warm air</i>
Buzzer	
This option can be selected with all programmes.	

Programmes

Cottons		Max. load 8 kg*
Extra dry, Normal**		
Use for	Single and multi-layered cotton fabric such as towelling, T-shirts, underwear, flannelette bed linen and baby clothes	
Notes	<ul style="list-style-type: none"> – Select <i>Extra dry</i> for multi-layered and very thick fabric. – Do not use <i>Extra dry</i> for loopknit fabric (e.g. T-shirts, underwear, baby clothes), as they have a tendency to shrink. 	
Hand iron, Machine iron		
Use for	Cotton or linen fabric e.g. table linen, bed linen, starched laundry	
Note	To prevent laundry from drying out it should be rolled up until you are ready for ironing.	
Minimum iron		Max. load 3.5 kg*
Normal, Hand iron		
Use for	Minimum iron cotton, synthetic and mixed fibre fabric e.g. tops, dresses, trousers, skirts and table cloths.	

* Weight of dry laundry

Note for test institutes:

- ** Test programme (without selecting any Extra options) in accordance with Regulation 392/2012/EU for energy labelling measured in accordance with EN 61121.
- When selecting the *Cottons* programme, drain the condensed water away through the drainage hose.

Programme chart

Woollens		Max. load 2 kg*
Use for	Woollen and woollen mix fabric	
Notes	<ul style="list-style-type: none"> – This programme only fluffs up woollen garments. They are not dried completely. – Remove garments as soon as the programme has finished and leave to finish drying at room temperature. 	
Outerwear		Max. load 2.5 kg*
Normal, Hand iron		
Use for	Outerwear which is suitable for drying in a tumble dryer.	
Proofing		Max. load 2 kg*
Use for	Drying microfibre fabric, skiwear, fine, closeweave cotton garments (poplin) or tablecloths which are suitable for drying in a tumble dryer and have been treated to provide a water and dirt resistant finish.	
Notes	<ul style="list-style-type: none"> – This programme includes a proofing fixing phase. – Only use proofing agents containing fluorochemical compounds which are stated by the manufacturer as being "suitable for use on membrane textiles". – Do not dry items which have been treated with proofing agents containing paraffin. Fire hazard. 	
Express		Max. load 3.5 kg*
Extra dry, Normal, Hand iron, Machine iron		
Use for	Fabric which can tolerate high temperatures and which can be dried using the <i>Cottons</i> programme.	
Note	Short programme duration.	
Automatic plus		Max. load 5 kg*
Normal, Hand iron		
Use for	Mixed loads of garments suitable for the <i>Cottons</i> and <i>Minimum iron</i> programmes. Sort according to colour.	
Shirts		Max. load 2 kg*
Normal, Hand iron		
Use for	Shirts and blouses.	
Denim		Max. load 3 kg*
Normal, Hand iron		
Use for	Denim garments, e.g. jeans, jackets, skirts, shirts.	

* Weight of dry laundry

Programme chart

Hygiene		Max. load 3.5 kg*
Use for	Cottons and linen fabric which is in direct contact with the skin, e.g. underwear, baby clothes, bed linen, towelling.	
Note	<p>The temperature is held constant for a longer period of time (longer temperature holding time) to deactivate micro-organisms, e.g. bacteria or house dustmites, and also to reduce the number of allergens in the laundry.</p> <p>To ensure that the micro-organisms are deactivated, do not interrupt the programme.</p>	
Warm air		Max. load 7 kg*
Use for	<ul style="list-style-type: none"> – Drying voluminous and multi-layered fabric whose layers have different drying characteristics, e.g. jackets, pillows. – For drying individual items, e.g. bath towels, swimwear, tea-towels. 	
Note	Do not select the longest drying time to start with. Check the items as you are drying them to find the optimum time.	
Note	<p>You can use the <i>Warm air</i> programme to help remove odours from clean cotton clothing (select a duration of between 1/2 and 1 hour). Items must be suitable for drying in a tumble dryer. Dampen the garments a little beforehand. Odours will not be removed as effectively from any parts of the garments which are made of synthetic fibres.</p>	
Gentle smoothing		Max. load 1 kg*
Use for	<ul style="list-style-type: none"> – Cotton and linen fabric – Minimum iron mixed fibre, cotton or synthetic fabric, e.g. trousers, anoraks, shirts 	
Notes	<ul style="list-style-type: none"> – Suitable for dry and damp laundry. Dry garments are time-controlled, damp garments are smoothed to the Hand iron stage. – Smooths out creasing caused during the spin cycle in the washing machine. – Remove garments as soon as the programme has finished so that they are easy to iron. 	

* Weight of dry laundry

Changing the programme sequence

You cannot change to another programme once a programme has started (this prevents unintentional alterations).

You will need to cancel the current programme before you can select a new one.

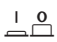
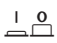
Once a programme has started

- cancelling the programme and then selecting a different programme

- Press the *Start/Stop* button.

The items will be cooled down, depending on the temperature reached and how long they have been dried for.

If you press the *Start/Stop* button again during the cooling down phase, *Finish* will light up in the display.

- Press the  button to switch the dryer off.
- Press the  button to switch the dryer back on.
- Select another programme and start it.

- cancelling the programme and then removing the laundry

- Proceed as described below in "Adding or removing laundry after a programme has started".
- Switch the dryer off after closing the door.

Altering Delay start

- See "Delay start".

Adding or removing laundry after a programme has started

- Press the *Door* button.
- Open the door.
- Add or remove items as required.
- Close the door.
- Press the *Start/Stop* button.

Time remaining

The time left shown in the display may now vary from the actual drying time.

Emptying the condensed water container

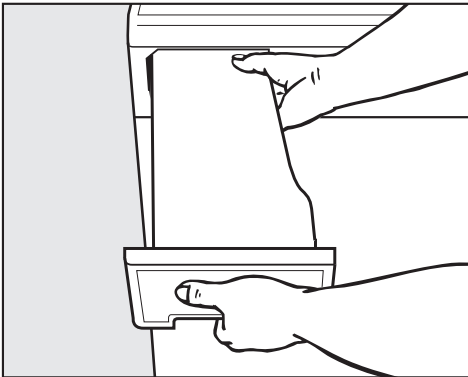
The condensed water will be collected in the condensed water container.

Empty the condensed water container after every drying programme.

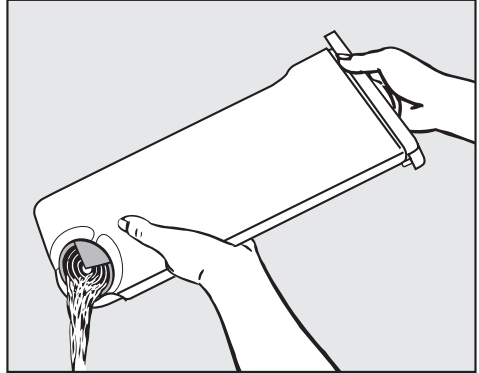
If the maximum level of the condensed water container is reached

- the programme will be cancelled.
- the *Empty container* light will come on.


The indicator light will go out when the door is opened and closed again with the dryer switched on.



- Pull out the condensed water container.
- To prevent water running out, hold it at the front and towards the back and keep it in a horizontal position when carrying it.



- Empty the container.
- Replace the container in the dryer.

 Condensed water should not be consumed. It could lead to health problems for people and animals.


Condensed water can be put to household use (e.g. in a steam iron or humidifier). To ensure that any residual particles of fluff in the condensed water are removed before use, pass it through a fine sieve or paper filter first.

Cleaning and care

Make sure you clean all the filters at the correct intervals

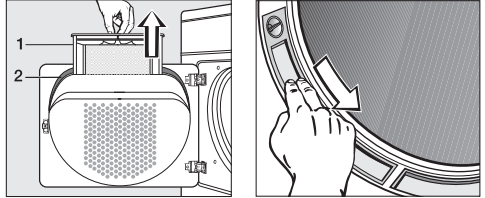
This tumble dryer has a multi-stage filter system, consisting of the **fluff filters** and a **fine filter**.

- **This dryer must not be used without the fluff filters or fine filter in place.**
The grille in the bottom right must always be in place.
- **Make sure that the fluff filters and the fine filter are not damaged.**
Replace them immediately, if they are damaged in any way.

 If the above instructions are not observed, an excessive build-up of fluff can occur which in turn can cause a fault.

When to clean the surfaces of the fluff filters

Clean the surfaces of the fluff filters after each drying programme.

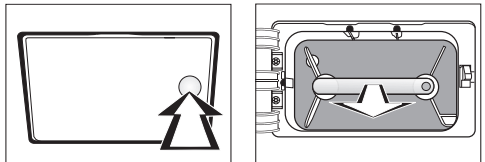


The fluff filters located in the door and the door opening collect fluff from items being dried.

- See "Cleaning the surfaces of the fluff filters".

When to clean the fine filter

The fine filter only needs to be cleaned when the *Clean the filters* indicator light comes on.



The fine filter is behind the service panel on the bottom left. It collects finer fluff, hair and detergent residues which have got through the surfaces of the fluff filters in the door and the door opening.

- See "Fine filter".

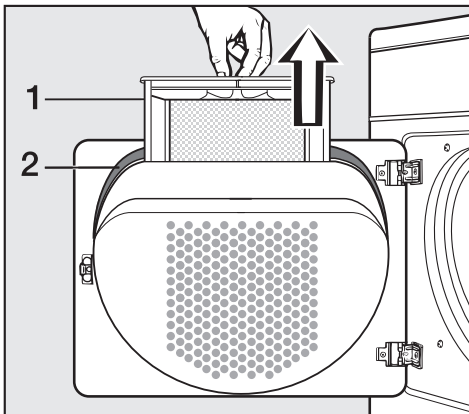
Cleaning the surfaces of the fluff filters

When to clean

Clean the surfaces of the fluff filters in the door and the door opening after each drying programme.

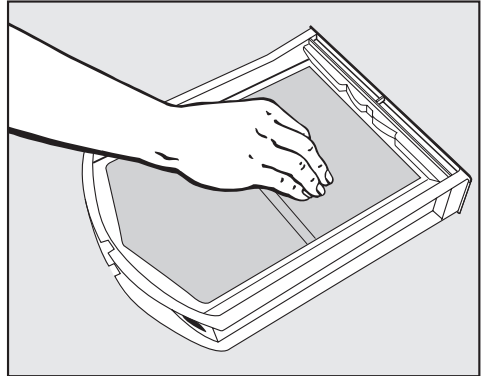
Cleaning them whilst dry

Note: You can also use a vacuum cleaner to remove the fluff.

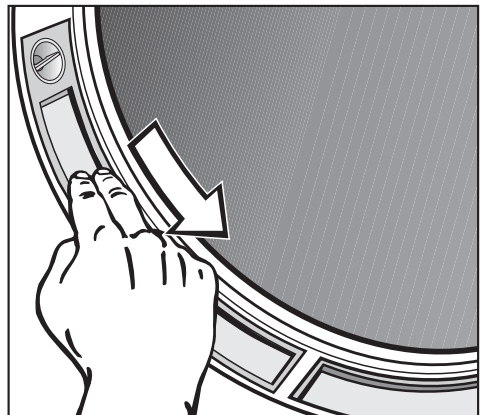


- 1 Fluff filter
- 2 Door seal

- Open the door and pull the fluff filter (1) out of the door as illustrated.
- Remove any fluff from the hollow part of the door with a bottle brush or a vacuum cleaner.
- Also clean the door seal (2) with a damp cloth.



- Use your fingers or a vacuum cleaner to remove the fluff from the surface of the filter.



- Use your fingers or a vacuum cleaner to remove the fluff from the two fluff filters in the door opening.
- Once clean, push the filter back into the door holder until it clicks into position. Ensure it is facing the correct way.
- Close the door.

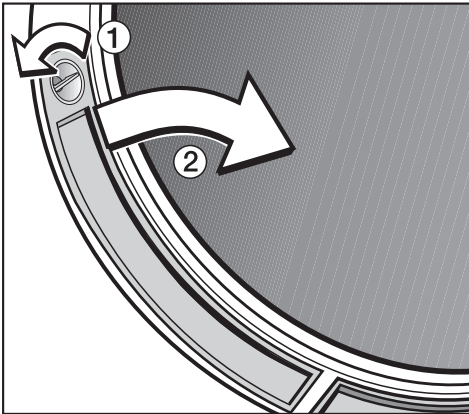
Cleaning and care

Cleaning with water

If there is a great deal of compacted fluff on any of the filters, they can be removed and cleaned under hot running water.


- Open the door and pull the fluff filter out of the door as described previously.

The two filters in the door opening can also be removed if you need to clean them with water.



- Turn dial ① until you hear it click.
- Pull the filter by the dial out of the door opening as shown ②. Do the same on the other side.
- Rinse the filters under hot, running water.
- Dry the filters thoroughly with care.
- Also clean the airways underneath them, e.g. with a vacuum cleaner.

Replacing the filters

 Do not replace the filters if they are damp or wet. Damp or wet filters could cause operational faults.

- Push the large filter back into the door holder until it clicks into position. Ensure it is facing the correct way.
- Replace the filters in the door opening by first inserting them at the bottom and then pressing them into place at the top.
- Lock both dials (you will hear them click).

Fine filter

When to clean

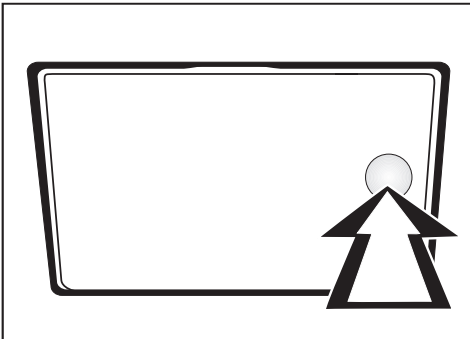
Only clean the fine filter when the *Clean filter* indicator light comes on.

To switch off the *Clean filter* indicator light:

- Remove, clean and replace the fine filter with the tumble dryer switched on.

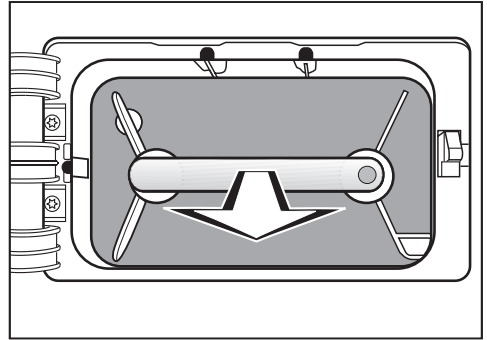
Removing

On the front left of the tumble dryer:

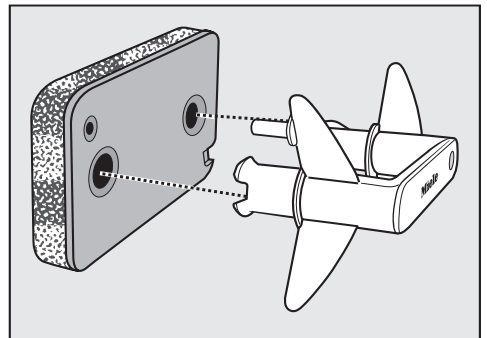


- Press to open the service panel for the fine filter (see arrow).

The panel will spring open.



- Pull the filter out by the handle.



- Pull the handle out of the filter.

Cleaning the fine filter

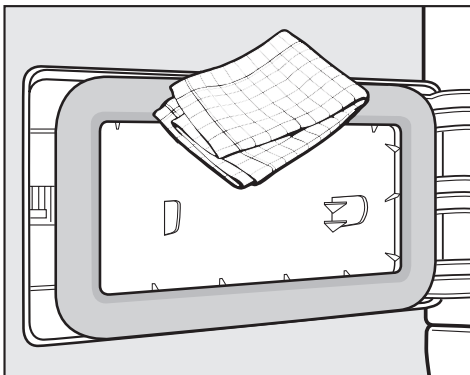
- Clean the fine filter thoroughly under running water.
- Then squeeze the fine filter thoroughly.

⚠ It must not be replaced dripping wet as this can cause a fault.

- Use a damp cloth to remove any fluff from the handle.


Cleaning and care


Cleaning the cover for the fine filter



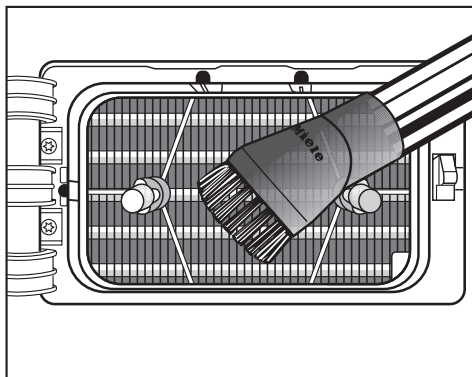
- Use a damp cloth to remove any fluff. Make sure that you do not damage the rubber seal when doing this.
- Check whether the cooling fins are blocked with fluff (as follows).

Cleaning the heat exchanger

 **Danger of injury.**
Do not touch the cooling fins. You could cut yourself.

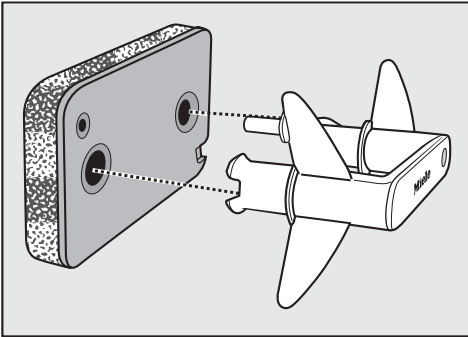
 **Prevent damage.**
Carefully pass the vacuum cleaner brush over the surface, without applying any pressure. Otherwise the cooling fins or the struts in front of them could become damaged.

Visible soiling:



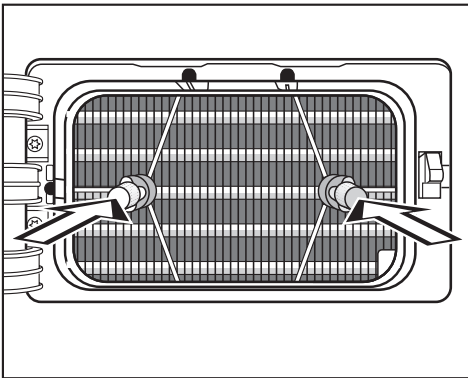
- Remove any visible soiling carefully with a vacuum cleaner using a dusting brush or a narrow crevice nozzle.

Replacing



- Fit the filter back on the handle. Make sure it is the correct way round.

To ensure that the filter is positioned correctly in the front of the heat exchanger unit:



- First insert the handle with the filter attached over the two guide pins.

Make sure that the **yellow dot on the handle is on the right.**

- Push the filter in completely.
- Close the access flap.

The filter must be fitted correctly and the access flap closed to ensure that water cannot leak from the condenser system and to ensure that the dryer functions efficiently.

Cleaning the tumble dryer

Disconnect the dryer from the mains electricity supply.


- Clean the housing, control panel and door seal with a slightly damp cloth and a mild detergent or soapy water.
- The drum and other stainless steel parts can be cleaned with a suitable proprietary stainless steel cleaner following the manufacturer's instructions.

Do not use solvents, abrasive cleaners, glass cleaners or all-purpose cleaners. These could damage plastic surfaces and other parts.

- Dry all parts with a soft cloth.

Problem solving guide

With the help of the following notes, minor faults in the performance of the appliance, some of which may result from incorrect operation, can be put right without contacting the Service Department. However, please note:

 Repair work to electrical appliances should only be carried out by a suitably qualified person in strict accordance with current local and national safety regulations. Repairs and other work by unqualified persons could be dangerous. The manufacturer cannot be held liable for unauthorised work.

Check and fault messages

Problem	Possible cause	Remedy
U-o lights up and the Gentle tumble check light flashes	The electronic system lock is activated.	You will need to deactivate the system lock before the dryer can be used (see "Electronic system lock").
U and Finish light up and the programme is cancelled. The buzzer sounds. *	This is not a fault. The electronic unit has recognised that there is no laundry or insufficient laundry in the drum and cancelled the programme. Drying individual garments or items which are already dry can also cause the programme to be cancelled.	Use the <i>Warm air</i> programme for drying individual items.
The Empty container indicator light comes on and the programme is cancelled. The buzzer sounds. *	The condensed water container is full or there is kink in the drain hose.	<ul style="list-style-type: none">– Empty the container.– Check the drain hose.

*** To switch off the indicator light: Open and shut the door with the dryer switched on.**

Problem solving guide

Problem	Possible cause	Remedy
The <i>Clean the filters</i> indicator light comes on at the end of the programme.	This is a reminder to clean the fine filter in front of the heat exchanger unit under running water.	<ul style="list-style-type: none"> – Clean the fine filter. – See "Cleaning and care". To switch off the <i>Clean the filters</i> indicator light: <ul style="list-style-type: none"> – Remove, clean and replace the fine filter with the tumble dryer switched on.
..F_ appears and a programme cannot be started	The fine filter is missing or has been replaced the wrong way round.	<ul style="list-style-type: none"> – Replace the fine filter correctly. ..F_ goes out. – See "Cleaning and care".
	Removing the filter during a drying cycle will cause the programme to be cancelled. <i>Cooling down</i> flashes.	<ul style="list-style-type: none"> – Replace the fine filter. – Switch the dryer off and back on again.
Bars are flashing at the end of the programme: L-]...[-]...[-]...	The programme has finished but the laundry is still being cooled down.	You can either unload the drum and leave the laundry to cool at room temperature or leave it in the dryer to continue cooling.
The programme will be cancelled. The buzzer may sound and <i>Cooling down</i> or <i>Finish</i> may also flash in the display.	No obvious cause.	<ul style="list-style-type: none"> – Switch the dryer off and back on again. – Then start the programme again. If this problem happens again, there is a fault. Contact Miele Service.
The <i>Start/Stop</i> indicator light is flashing slowly and the display is dark.	The dryer is in Standby mode. This is quite normal and not indicative of any fault.	See "Setting standby" in "Programmable functions"
The <i>Start/Stop</i> button flashes/does not flash.	The flashing indicates that a programme can be started.	After the programme has started, the flashing will change to a constant light.

Problem solving guide

An unsatisfactory drying result		
Problem	Possible cause	Remedy
The laundry is not sufficiently dry.	The load consisted of different fabrics.	<ul style="list-style-type: none"> – Finish drying using the <i>Warm air</i> programme. – Select a different programme next time.
	Note: You can alter the residual moisture level for some programmes	See "Programmable functions".
Laundry or feather filled pillows smell after drying.	<ul style="list-style-type: none"> – Laundry was washed with insufficient detergent. – Feathers are a natural product and this is quite normal. 	<ul style="list-style-type: none"> – Laundry: Use sufficient detergent. – Pillows: The smell will dissipate after airing.
Items made of synthetic fibres are charged with static electricity after drying.	Synthetic fibres tend to attract static charge.	Static charge can be reduced by adding fabric conditioner to the final rinse in the washing programme or a fabric conditioner sheet to the load when drying.
There is a build-up of fluff.	Fluff is principally the result of friction when garments are being worn and to some extent when they are being washed. Machine drying causes less fluff to form.	Fluff is collected by the fluff filters and can be removed easily (see "Cleaning and care").

Other problems		
Problem	Possible cause	Remedy *
The drying process goes on too long or even switches off.	Ventilation to and from the dryer may be insufficient, e.g. because it is installed in a room which is too small. This can cause the temperature in the room to rise sharply.	Open a door or window while the dryer is in operation for increased air flow.
	<ul style="list-style-type: none"> – Detergent residues, hair and fine fluff can clog the fluff filters and the fine filters. – The cooling ribs can be clogged. 	<ul style="list-style-type: none"> – Clean the fluff filters and fine filter. – Remove any visible fluff: <ul style="list-style-type: none"> . . . From the heat exchanger unit, bottom left, behind the flap in the heat exchanger cavity (see "Cleaning and care"). . . . From the cooling fins behind the grille, bottom right (see this section).
	The cool air intake (bottom right grille) is blocked.	Move any objects, such as a laundry basket, away from the grille.
	The fluff filters and fine filter were wet when replaced.	The fluff filters and fine filter must be dry.
	The laundry has not been spun sufficiently.	Make sure that your laundry is thoroughly spun at the appropriate spin speed in the washing machine.
	The tumble dryer has been overloaded.	Do not exceed the maximum load for the programme selected.
	Metallic components, e.g. zips have prevented the dryer from registering the correct moisture level in the laundry.	<ul style="list-style-type: none"> – Open zips next time. – If the problem occurs again, dry garments with long zips using the <i>Warm air</i> programme (timed drying).

*** Switch the dryer off and then on again before starting the programme.**

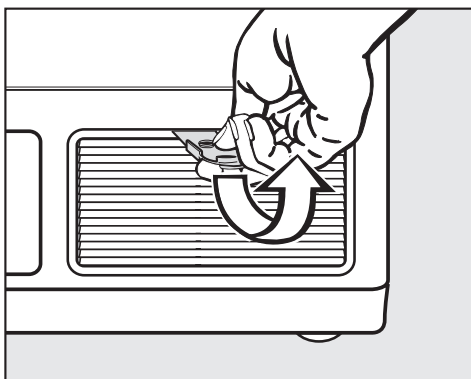
Problem solving guide

Problem	Possible cause	Remedy
There are humming noises.	The compressor is operating.	These noises are quite normal and do not indicate a fault.
The programme does not start.	No obvious cause.	<ul style="list-style-type: none"> – Is the dryer switched on? – Is the plug correctly inserted into the socket and switched on? – Is the door closed properly? – Has the fuse or circuit breaker tripped? – If you cannot remedy the problem, then there could be a fault. Contact Miele Service.
Power cut.	When power is restored, any programme which was running will restart automatically.	
The interior drum lighting does not come on.	The lighting switches off automatically (to save energy).	<ul style="list-style-type: none"> – Switch the dryer off and then on again. – If the light needs to be replaced, follow the instructions in "Changing the light" at the end of this section.

Cleaning the cooling fins (bottom right grille)

⚠ In general, the cooling fins do not need cleaning. They should only be cleaned if the drying process is taking an exceptionally long time due to a very high level of dust or fluff in the room in which the dryer is installed.

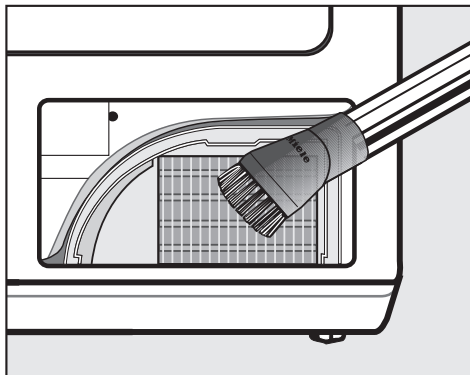
Use the yellow lever supplied to open the bottom right grille.



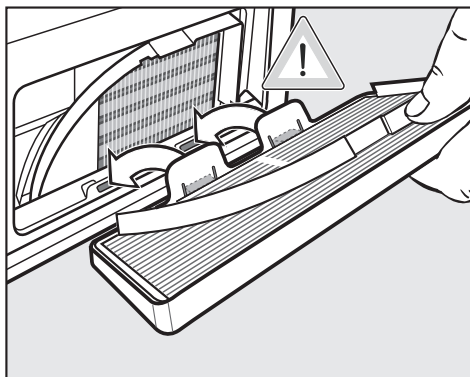
- Insert the lever in the middle of the gap at the top and lift it up gently (see arrow) until the grille opens out at the top.
- Now remove the grille by pulling it diagonally upwards.
- Check whether the cooling fins are clogged.

⚠ Danger of injury.
Do not touch the cooling fins with your hand. You could cut yourself.

⚠ To prevent damaging the cooling fins, only pass the vacuum cleaner brush over them lightly, without applying any pressure.



- Vacuum up any soiling **carefully** using a vacuum cleaner dusting brush or small crevice nozzle.



- To replace the grille, first insert the bottom of the grille (as shown).
- Then push the grille firmly into position at the top.

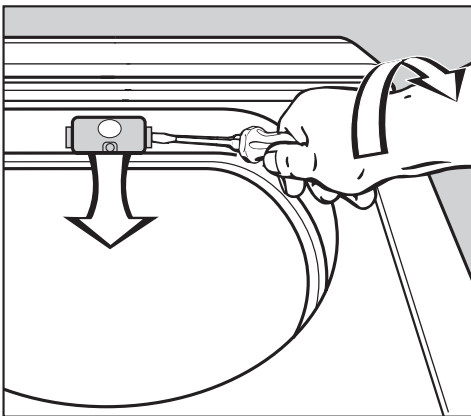
Problem solving guide

Changing the lamp

Disconnect the tumble dryer from the mains electricity supply.

- Open the door.

You will find the interior light cover at the top of the drum aperture.



- Insert a suitable tool, such as a wide bladed screwdriver, under the side edge of the light cover as illustrated.
- Apply a little pressure and whilst doing so turn your wrist in the direction of the arrow to open the cover.

The cover will open downwards.

The temperature resistant lamp should only be ordered from your Miele Dealer or the Miele Spare Parts Department.

The light specification and maximum wattage is stated on the data plate and on the light cover.

- Turn the light anti-clockwise to remove.
- Replace the lamp.
- To close the cover push it upwards and press it on the left and right until you hear it click into position.

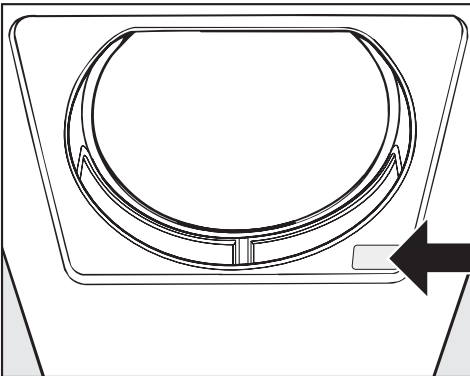
⚠ Ensure that it is fitted into position securely, as any moisture could cause a short circuit.

Repairs

In the event of any faults which you cannot remedy yourself, please contact

- your Miele dealer or
- the Miele Service Department (see back cover for contact details).

When contacting your dealer or the Service Department, please quote the model and serial number of your appliance, both of which are shown on the data plate. This is visible when you open the door.



N.B. A call-out charge will be applied for service visits where the problem could have been resolved as described in these instructions.

Future updates (PC)

The indicator or check light marked **PC** on the fascia panel is the interface used by the Miele service technicians during service work for testing purposes and for updating the appliance's programme data.

Appliance guarantee

In the U.K. your appliance is guaranteed for 2 years from the date of purchase. However you must activate your cover by calling 0845 365 6640 or registering online at www.miele.co.uk.

For information on the appliance guarantee specific to your country please contact Miele. See back cover for contact details.

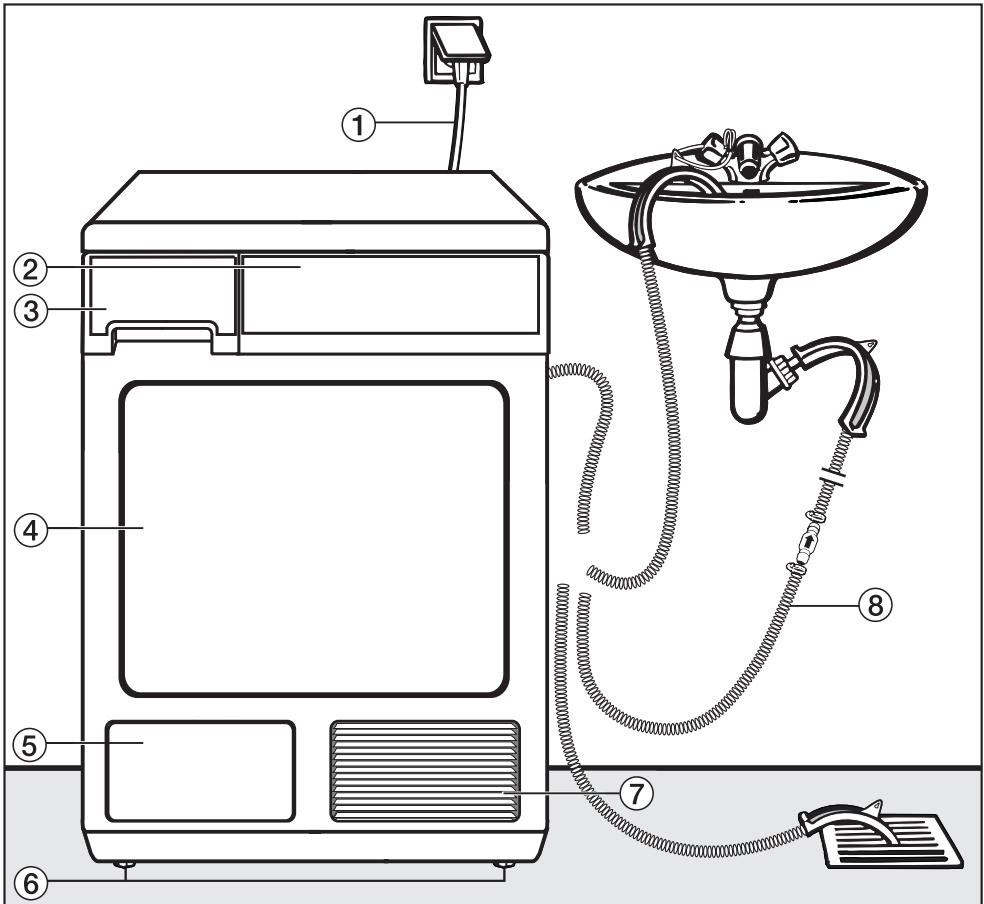
Optional accessories

Optional accessories for this dryer are available from your Miele Dealer, the Miele Spare Parts Department or via the internet at www.miele-shop.com.

Please note that telephone calls may be monitored and recorded for training purposes.

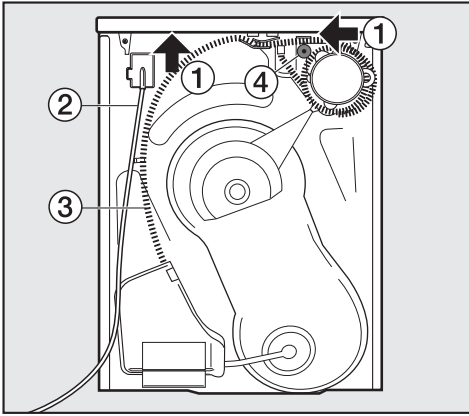
Installation and connection

Front view



- ① Mains connection cable
- ② Control panel
- ③ Condensed water container (empty after every drying programme)
- ④ Door
- ⑤ Service panel for the fine filter (do not open during drying)
- ⑥ Four height adjustable screw feet
- ⑦ Cool air intake grille (do not obstruct with a laundry basket or other objects)
- ⑧ External drainage of condensed water hose (see "External condensed water outlet")


Rear view




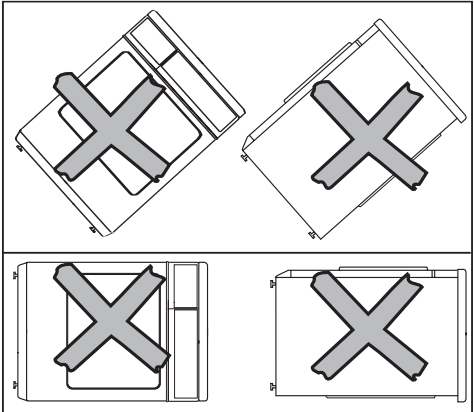
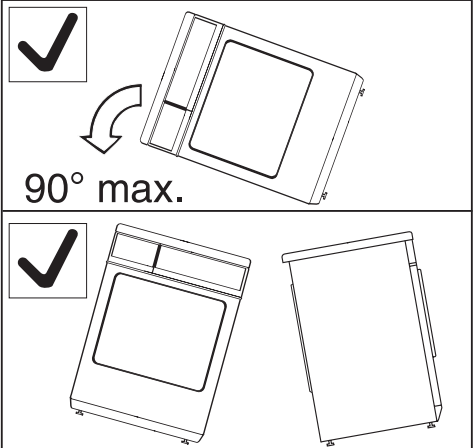
- ① Protruding lid for holding when moving the dryer (see arrows)
- ② Mains connection cable
- ③ Hose for external drainage of condensed water
- ④ Accessories for connection to a sink drain outlet


Transporting the dryer

When moving the dryer, hold it by the lid where it protrudes to the rear. To manoeuvre the dryer out of its packing case to its installation site you will also need to hold it by the front feet.

 Only transport the dryer as shown in the following illustrations.

 If transporting the dryer at an angle, only tip it towards its left side.



 If the tumble dryer has not been transported as described, then it must be left to stand for at least 1 hour before it is connected to the electricity supply. Otherwise the heat pump can be damaged.

Installation and connection

Installation site

⚠ Make sure the dryer door can be opened without hindrance after installation.

⚠ The cool air intake panel at the front of the dryer must not be blocked or covered, e.g. by a laundry basket, as this would cause a fault.

Building under a continuous worktop/ in a row of kitchen units

⚠ It is very important to avoid a build-up of heat. The warm air which is expelled from the rear of the dryer must be able to dissipate. Warm air which cannot dissipate could cause a fault.

A build-up of heat can be avoided by:

- Adjusting the screw feet so that there is a gap of at least 20 mm between the floor and the bottom of the dryer.
- Creating a gap for the dryer in the kitchen furniture plinth facing.
- Creating ventilation gaps in the kitchen unit.

N.B. When built under, drying times may be longer.

⚠ The dryer should not be installed next to a refrigeration appliance. The warm air expelled from the rear of the dryer would increase the temperature around the refrigeration appliance's heat exchanger causing the compressor to run continuously. If it is not possible to install the dryer anywhere else, then the refrigeration appliance must be sealed off from the dryer.

⚠ A **building-under kit** (Miele accessory, available to order) with a coverplate to replace the appliance's lid is required. It must be fitted by a suitably qualified person to ensure electrical safety.

N.B. If you wish to push the tumble dryer under a worktop and there is space to do this **without removing the lid** the building-under kit is not necessary. Otherwise the building-under kit is essential.

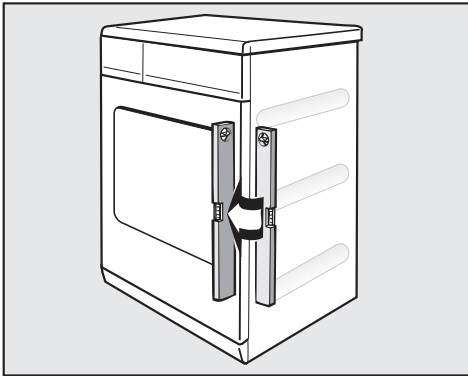
- The building-under kit is supplied with its own installation instructions.
- N.B. When built under, drying times may be longer.
- The electrical socket must be located in an accessible position near the appliance.

With niche heights of:

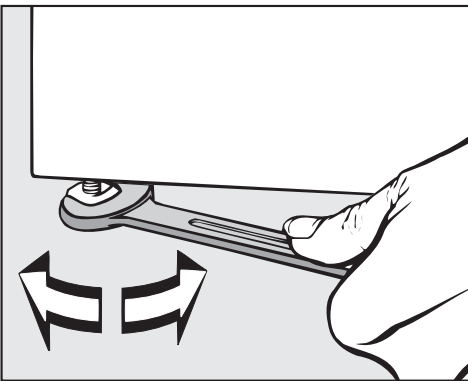
- 830-840 mm, longer screw feet* are required.
- 870-885 / 915-930 mm, one or two raising kits* are required.

* Miele accessory available to order


Levelling the appliance



The appliance must be perfectly level to ensure safe and proper operation.



- The screw feet can be adjusted to compensate for any unevenness in the floor.

 Do not block the gap between the bottom of the tumble dryer and the floor with plinth facings, deep pile carpet etc. This would hinder a sufficient flow of air to the dryer.


Before moving the tumble dryer again (e.g. when moving house)

After each use a small quantity of condensed water will collect in the area around the pump. This water can run out if the tumble dryer is tipped up when it is being moved. It is a good idea to run the *Cool air* programme for approximately 1 minute before moving it. Any remaining condensed water will then be fed into the condensed water container or out through the drain hose.

Washer-dryer stack

The tumble dryer can also be combined with a Miele washing machine in a washer-dryer stack. The appropriate "WTV" stacking kit* to match your dryer is required.

* Miele accessory available to order

 Stacking kits must only be installed by a suitably qualified fitter.

Installation and connection

External condensed water outlet

General notes

When drying is in progress, condensed water is pumped into the condensed water container through the drain hose at the back of the dryer. The condensed water can also be drained off directly if the tumble dryer is installed near a sink, drain outlet etc. so that the condensed water container does not have to be emptied.

Drain hose length 1.50 m
Maximum delivery head 1.50 m
Maximum drain hose length 4.00 m

⚠ If the on-site water drainage system is not fitted with a non-return valve or an appropriate air gap, one must be fitted to prevent the risk of back-flow. (See "Installation conditions requiring a non-return valve").

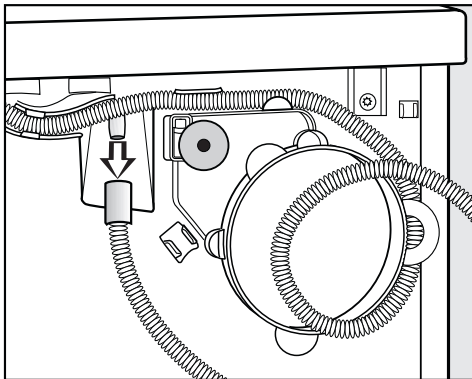
The following optional accessories are available:

- an extension hose
- a non-return valve kit for connection to an external condensed water outlet (includes an extension hose).
Maximum delivery head with non-return valve fitted: 1.00 m

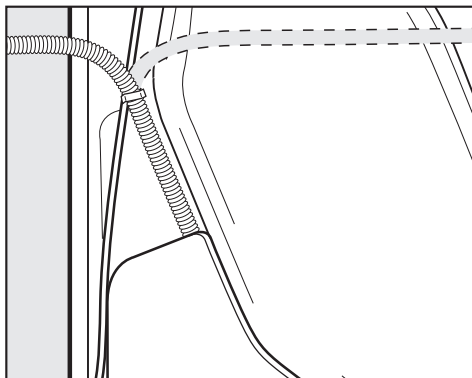
Arranging the drain hose

⚠ Do not pull on the drain hose and do not stretch it or allow it to become kinked as it could get damaged.

- There will be a small amount of residual water in the drain hose. Have a container ready to collect this.



- Pull the hose off its connection (see arrow).
- Allow any residual water to run into the container.
- Unwind the hose and pull it carefully out of the holders.




- Position the hose to the right or left hand side as necessary.
- Leave the hose in the middle holder to prevent it from becoming kinked inadvertently.

Installation and connection


External drainage via a sink or gully

- See "Front view" illustration.

 If you want to drain the water off into a sink you will need to secure the hose carefully, e.g. by tying it to a tap to make sure it cannot slip during use. Otherwise there is a risk of overflowing water which could cause damage.

- Use the bow-shaped guide to prevent the drain hose from becoming kinked.

Installation conditions requiring a non-return valve

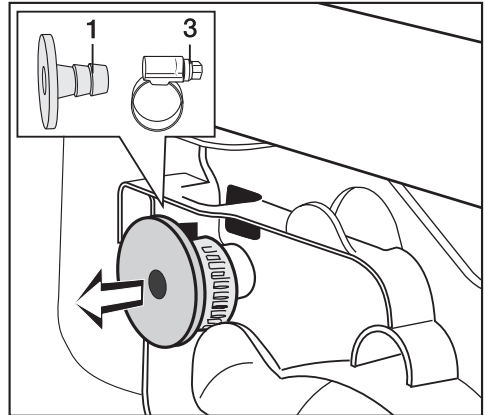
 Certain installation conditions require the fitting of a **non-return valve for external water connection** (available as an optional accessory). A non-return valve will prevent the risk of back-flow out of the dryer which could cause damage.

A non-return valve is required:

- If the tumble dryer is connected to a sink drain outlet (see the following section).
- If the tumble dryer is connected to a drainage system **already in use** by another appliance, e.g. a dishwasher or washing machine.

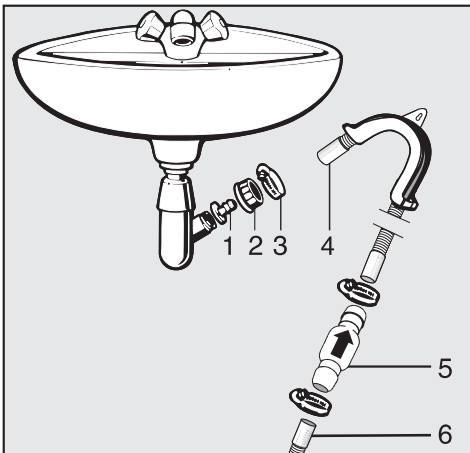
Example: Connection to a sink drain outlet

The drain hose with non-return valve fitted can be connected directly to a suitable sink drain outlet.



- Remove the following from the back of the dryer at the top:
Adapter **1** and hose clip **3** behind it.

Installation and connection




- 1 Adapter
- 2 Nut
- 3 Hose clip
- 4 End of the hose
- 5 Non-return valve
- 6 Tumble dryer drain hose

- Fit adapter **1** to the sink drain outlet using nut **2**.

If this nut has a flat disc in it you should take the disc out first.

- Attach the end of hose **4** to adapter **1**.
- Use a screwdriver to tighten hose clip **3** up close to the nut.

 Non-return valve **5** has to be fitted with the arrow pointing in the direction of flow (i.e. towards the sink). Otherwise water will not drain out of the appliance.

- Fit non-return valve **5** to tumble dryer drain hose **6** (make sure it is fitted in the correct direction - see arrow on non-return valve).
- Secure the non-return valve using hose clips.

Electrical connection U.K.

All electrical work should be carried out by a suitably qualified and competent person, in strict accordance with current national and local safety regulations (BS 7671 in the UK).

Ensure power is not supplied to the appliance until after installation work has been carried out.

The appliance is supplied with a mains cable with moulded plug ready for connection to a 230-240V mains supply. Please ensure the connection data quoted on the data plate match the household mains supply.

Connection should be made via a suitable switched socket which is easily accessible after installation.

For extra safety it is advisable to protect the appliance with a suitable residual current device (RCD). Contact a qualified electrician for advice.

Do not connect via an extension lead. Extension leads do not guarantee the required safety of the appliance (e.g. danger of overheating).


Non-rewireable plugs BS 1363

The fuse cover must be refitted when changing the fuse, and if the fuse cover is lost, the plug must not be used until a suitable replacement is obtained. The colour of the correct replacement cover is that of the coloured insert in the base of the plug, or the colour that is embossed in words on the base of the plug (as applicable to the design of plug fitted).

Replacement fuses should be ASTA approved to BS 1362 and have the correct rating. Replacement fuses and fuse covers may be purchased from your local electrical supplier.

**WARNING: THIS APPLIANCE
MUST BE EARTHED**

Consumption data

	Load ¹	Final spin speed in a domestic washing machine	Residual moisture	Energy	Duration
	kg	rpm	%	kWh	Minutes
Cottons Normal²	8.0	1000	60	2,18	147
	4.0	1000	60	1,32	89
Cottons Normal	8.0	1200	53	1,95	133
	8.0	1400	50	1,85	126
	8.0	1600	44	1,65	113
	8.0	1800	43	1,60	110
Cottons Normal + Gentle tumble	8.0	1000	60	2,05	140
Cottons Hand iron 	8.0	1000	60	1,55	99
	8.0	1200	53	1,35	87
	8.0	1400	50	1,25	81
	8.0	1600	44	1,10	69
	8.0	1800	43	1,05	67
Minimum iron Normal	3.5	1200	40	0,60	47
Minimum iron Normal + Gentle tumble	3.5	1200	40	0,65	49
Minimum iron Hand iron	3.5	1200	40	0,50	41
Automatic plus Normal	5.0	800	50	1,50	99
Shirts Normal + Gentle tumble	2.0	600	60	0,70	53
	2.0	600	60	0,75	59
Gentle smoothing	1.0	1000	60	0,35	30
Proofing Normal	2.0	800	50	1,25	85
Denim Normal + Gentle tumble	3.0	900	60	1,40	94
	3.0	900	60	1,45	99
Express Normal	3.5	1000	60	1,10	75
Woolens	2.0	1000	50	0,20	20
Cottons Hygiene Normal	3.5	1000	60	1,90	126

¹ Weight of dry laundry

² Test programme in accordance with Regulation 392/2012/EU for energy labelling measured in accordance with EN 61121.

All data was calculated using EN 61121 unless otherwise stated.

Notes for test institutes:

- When selecting the *Cottons* programme, drain the condensed water away through the drainage hose.
- Before testing in accordance with EN 61121, dry a 3 kg load of cotton laundry with 70% residual moisture as per the above standard using the Cottons Normal programme without any extra options.

Consumption data can vary from the nominal values given above depending on the size of the load, types of textiles, residual moisture levels after spinning, fluctuations in the electricity supply and any extra options selected.

Technical data


Height	850 mm
Width	595 mm
Depth	596 mm
Depth with door open	1071 mm
Height for building under	820 mm
Width for building under	600 mm
Depth for building under	600 mm
Suitable for pushing under a worktop	Yes
Suitable for stacking	Yes
Weight	61 kg
Drum volume	111 litres
Maximum capacity	1-8 kg dry weight
Capacity of condensed water container	Approx. 4.2 litres
Hose length	1.5 m
Maximum delivery head	1.5 m
Maximum drain hose length	4 m
Length of connection cable	2 m
Voltage	See data plate
Connected load	
Fuse rating	
Light wattage	
Test certificates awarded	
Energy consumption	see "Consumption data"

Electronic system lock and Programmable functions for altering default settings

The system lock prevents the dryer being used without your knowledge.

It can be activated if wished.

The dryer's electronics are then locked. The dryer can still be switched on but a programme cannot be started.

- If an attempt is made to start a programme, the indicator light for the *Gentle tumble* button will come on and a key symbol  will appear in the display.

The door is not locked and can be opened at any time.

To activate the lock

Before you begin, first ensure that:

- The tumble dryer is switched off.
- The door is closed.

❶ Press the *Gentle tumble* button and keep it pressed in whilst carrying out steps ❷ to ❸.


❷ Press the  button.

The *Automatic plus* indicator light will come on.

❸ Slowly turn the programme selector three positions stage by stage in a clockwise direction.

Each of the three programme indicator lights must come on one after the other.

❹ Now slowly turn the programme selector six positions stage by stage in an anti-clockwise direction. Each of the six programme indicator lights must come on one after the other.

The indicator light for the *Gentle tumble* button will flash, and the key symbol  will appear in the display.

❺ Release the *Gentle tumble* button.

The electronics have now been locked.


- Switch the dryer off.

To deactivate the lock

Before you begin, first ensure that:

- The tumble dryer is switched off.
- The door is closed.

■ The procedure is the same as for activating the lock. Carry out steps ❶ to ❺ as described previously.

At step ❺ the indicator light for the *Gentle tumble* button will stop flashing and the key symbol  will go out.

The electronics are no longer locked.

Programmable functions

Altering the residual moisture level in the Cottons programme

The tumble dryer is designed to dry effectively using as little energy as possible.

However, if you require the laundry to be drier or damper, you can reduce or increase the default residual moisture in the Cottons programme.

Follow steps (1, 2, 3 ...) to programme and store in memory.

Before you begin, ensure that:

- The tumble dryer is switched off.
- The door is closed.

1 Press the *Start/Stop* button and keep it pressed in whilst carrying out steps 2-3.

2 Switch the dryer on.

Wait until the *Start/Stop* button lights up constantly . . .

3 . . . and then release the *Start/Stop* button.

- The *Gentle tumble* indicator light will flash once briefly.

A **number** to show which option is selected will appear in the display alternating with the letter *P*.

0 **Increased residual moisture. Laundry damper.**

1 **Standard residual moisture (factory default setting)**
(the *Automatic plus* indicator light will also flash once).

2 **Reduced residual moisture. Laundry drier.**

(the *Automatic plus* indicator light will also flash twice).

4 Pressing the *Start/Stop* button switches between the options.

5 Switch the dryer off.

The setting you have selected is now stored in memory. You can change it again at any time.

To check the setting:

■ Carry out steps 1 to 3.

■ Switch the dryer off after step 3.

Altering the residual moisture level in the Minimum iron programme

The tumble dryer is designed to dry effectively using as little energy as possible.

However, if you require the laundry to be drier or damper, you can reduce or increase the default residual moisture in the Minimum iron programme.

Follow steps (1, 2, 3 ...) to programme and store in memory.

Before you begin, ensure that:

- The tumble dryer is switched off.
- The door is closed.

1 Press the *Start/Stop* button and keep it pressed in whilst carrying out steps 2–3.

2 Switch the dryer on.

Wait until the *Start/Stop* button lights up constantly . . .

3 . . . and then release the *Start/Stop* button.

4 Press the *Gentle tumble* button once.

- The *Gentle tumble* indicator light will flash twice briefly.

A **number** to show which option is selected will appear in the display alternating with the letter *P*.

0 **Increased residual moisture. Laundry damper.**

1 **Standard residual moisture (factory default setting)**
(the *Automatic plus* indicator light will also flash once).

2 **Reduced residual moisture. Laundry drier.**

(the *Automatic plus* indicator light will also flash twice).

5 Pressing the *Start/Stop* button switches between the options.

6 Switch the dryer off.

The setting you have selected is now stored in memory. You can change it again at any time.

To check the setting:

■ Carry out steps 1 to 4.

■ Switch the dryer off after step 4.

Programmable functions

Anti-crease

Anti-crease helps prevent creasing, if laundry is not normally removed immediately after the end of a programme.

The anti-crease function

- is activated when the tumble dryer is delivered. You can shorten the duration of the anti-crease phase or deactivate it if wished.
- is used in all programmes except *Woollens*.
- should be left activated.

Follow steps (1, 2, 3 ...) to programme and store in memory.

Before you begin, ensure that:

- The tumble dryer is switched off.
- The door is closed.

1 Press the *Start/Stop* button and keep it pressed in whilst carrying out steps 2-3.

2 Switch the dryer on.

Wait until the *Start/Stop* button lights up constantly . . .

3 . . . and then release the *Start/Stop* button.

4 Press the *Gentle tumble* button twice.

- The *Gentle tumble* indicator light will flash 3 times briefly.

A **number** to show which option is selected will appear in the display alternating with the letter *P*.

▮ Anti-crease off

1 1 hour anti-crease

(the *Automatic plus* indicator light will also flash once).

2 2 hours anti-crease

(factory default setting)
(the *Automatic plus* indicator light will also flash twice).

5 Pressing the *Start/Stop* button switches between the options.

6 Switch the dryer off.

The setting you have selected is now stored in memory. You can change it again at any time.

To check the setting:

■ Carry out steps 1 to 4.

■ Switch the dryer off after step 4.

Altering the volume of the buzzer

The buzzer has two volumes.

Follow steps (1,2,3 ...) to programme and store in memory.

Before you begin, ensure that:

- The tumble dryer is switched off.
- The door is closed.

- 1 Press the *Start/Stop* button and keep it pressed in whilst carrying out steps 2-3.
- 2 Switch the dryer on.

Wait until the *Start/Stop* button lights up constantly . . .

- 3 . . . and then release the *Start/Stop* button.
 - 4 Press the *Gentle tumble* button three times.
- The *Gentle tumble* indicator light will flash four times briefly.

A **number** to show which option is selected will appear in the display alternating with the letter *P*.

▣ **Normal buzzer**
(factory default setting)

/ **Loud buzzer**
(the *Automatic plus* indicator light will also flash)

- 5 Pressing the *Start/Stop* button switches between the options.
- 6 Switch the dryer off.

The setting you have selected is now stored in memory. You can change it again at any time.

To check the setting:

- Carry out steps 1 to 4.
- Switch the dryer off after step 4.

Programmable functions

Altering the residual moisture level in the Automatic plus programme

The tumble dryer is designed to dry effectively using as little energy as possible.

However, if you require the laundry to be drier or damper, you can reduce or increase the default residual moisture in the Automatic plus programme.

Follow steps (1, 2, 3 ...) to programme and store in memory.

Before you begin, ensure that:

- The tumble dryer is switched off.
 - The door is closed.
 - 1 Press the *Start/Stop* button and keep it pressed in whilst carrying out steps 2–3.
 - 2 Switch the dryer on.
- Wait until the *Start/Stop* button lights up constantly . . .
- 3 . . . and then release the *Start/Stop* button.
 - 4 Press the *Gentle tumble* button four times.
- The *Gentle tumble* indicator light will flash six times briefly.

A **number** to show which option is selected will appear in the display alternating with the letter *P*.

0 **Increased residual moisture. Laundry damper.**

1 **Standard residual moisture (factory default setting)**
(the *Automatic plus* indicator light will also flash once).

2 **Reduced residual moisture. Laundry drier.**

(the *Automatic plus* indicator light will also flash twice).

5 Pressing the *Start/Stop* button switches between the options.

6 Switch the dryer off.

The setting you have selected is now stored in memory. You can change it again at any time.

To check the setting:

■ Carry out steps 1 to 4.

■ Switch the dryer off after step 4.

Standby

To save energy, the display and the programme sequence/check lights go out after 10 minutes and the *Start/Stop* button starts flashing slowly.

To come out of standby mode

- Turn the programme selector or press a button. Neither will have any effect if a programme is running.

On

The standby function is activated and the display and programme sequence/check lights will go out after 10 minutes:

- if a programme is not selected after the dryer has been switched on.
- after a programme has started.

They will, however, come on for 10 minutes after a delay start time has counted down, at the end of the programme or the end of the anti-crease phase.

The buzzer (if selected) will sound for 10 minutes at the end of the programme.

Factory default setting: Not in current programme

As described under "On" above. However, the display and programme sequence/check lights will stay on after the programme has started and remain visible during the programme.

Off

The display and programme sequence/check lights will stay on while the dryer is switched on.

Follow steps (1, 2, 3 ...) to programme and store in memory.

- See next page.

Programmable functions

Before you begin, ensure that:

- The tumble dryer is switched off.
- The door is closed.

1 Press the *Start/Stop* button and keep it pressed in whilst carrying out steps 2–3.

2 Switch the dryer on.

Wait until the *Start/Stop* button lights up constantly . . .

3 . . . and then release the *Start/Stop* button.

4 Press the *Gentle tumble* button five times.

- The *Gentle tumble* indicator light will flash 8 times briefly.

A **number** to show which option is selected will appear in the display alternating with the letter *P*.

0 On

1 **Not in current programme (factory default setting)**

(the *Automatic plus* indicator light will also flash once).

2 Off

(the *Automatic plus* indicator light will also flash twice).

5 Pressing the *Start/Stop* button switches between the options.

6 Switch the dryer off.

The setting you have selected is now stored in memory. You can change it again at any time.

To check the setting:

- Carry out steps 1 to 4.
- Switch the dryer off after step 4.

Memory function

The electronics will memorise any extra options selected for a programme. The duration selected for the Warm air or Cool air timed drying programmes will also be stored in memory.

These settings will be selected automatically the next time the programme is chosen. You can either accept these or change them by pressing the appropriate button.

Follow steps (1, 2, 3 ...) to programme and store in memory.

Before you begin, ensure that:

- The tumble dryer is switched off.
- The door is closed.

1 Press the *Start/Stop* button and keep it pressed in whilst carrying out steps 2–3.

2 Switch the dryer on.

Wait until the *Start/Stop* button lights up constantly . . .

3 . . . and then release the *Start/Stop* button.

4 Press the *Gentle tumble* button six times.

- The *Gentle tumble* indicator light will flash 9 times briefly.

A **number** to show which option is selected will appear in the display alternating with the letter *P*.

0 **Memory deactivated**
(factory default setting)

1 **Memory activated**
(the *Automatic plus* indicator light will also flash)

5 Pressing the *Start/Stop* button switches between the options.

6 Switch the dryer off.

The setting you have selected is now stored in memory. You can change it again at any time.

To check the setting:

■ Carry out steps 1 to 4.

■ Switch the dryer off after step 4.

Programmable functions

Keypad tone

An audible tone sounds each time a button is pressed.

Follow steps (1, 2, 3 ...) to programme and store in memory.

Before you begin, ensure that:

- The tumble dryer is switched off.
- The door is closed.

1 Press the *Start/Stop* button and keep it pressed in whilst carrying out steps 2-3.

2 Switch the dryer on.

Wait until the *Start/Stop* button lights up constantly . . .

3 . . . and then release the *Start/Stop* button.

4 Press the *Gentle tumble* button seven times.

- The *Gentle tumble* indicator light will flash on and off slowly once and then on and off quickly once.

A **number** to show which option is selected will appear in the display alternating with the letter *P*.

☐ **Keypad tone deactivated**
(factory default setting)

/ **Keypad tone activated**
(the *Automatic plus* indicator light will also flash)

5 Pressing the *Start/Stop* button switches between the options.

6 Switch the dryer off.


The setting you have selected is now stored in memory. You can change it again at any time.

To check the setting:

■ Carry out steps 1 to 4.

■ Switch the dryer off after step 4.

Adjusting the dryer's electronics for very soft water

 In some areas of the UK, water is extremely soft which can affect the sensitivity of the control electronics. If the dryer is installed in an area of very soft water, you should contact your local water supplier for information and advice regarding water hardness and water conductivity. If the water conductivity is less than 150 µS, the following programmable function will need to be activated.

Important. This programmable function should not be activated if, despite the water being extremely soft (as would be the case if a water softener were used), its conductivity is greater than 150 µS.

Follow steps (1, 2, 3 ...) to programme and store in memory.

Before you begin, ensure that:

- The tumble dryer is switched off.
- The door is closed.

1 Press the *Start/Stop* button and keep it pressed in whilst carrying out steps **2-3**.

2 Switch the dryer on.

Wait until the *Start/Stop* button lights up constantly . . .

3 . . . and then release the *Start/Stop* button.

4 Press the *Gentle tumble* button eight times.

- The *Gentle tumble* indicator light will flash on and off slowly once and then on and off quickly twice.

A **number** to show which option is selected will appear in the display alternating with the letter *P*.

0 Factory default setting

1 Adjusted for very soft water

(the *Automatic plus* indicator light will also flash)

5 Pressing the *Start/Stop* button switches between the options.

6 Switch the dryer off.

The setting you have selected is now stored in memory. You can change it again at any time.

To check the setting:

■ Carry out steps **1** to **4**.

■ Switch the dryer off after step **4**.

Programmable functions

Extending the range of the drying levels

You can extend the range of the drying levels for many of the programmes:

Machine iron+

(drier than Machine iron).

Slightly dry

(drier than Hand iron).

Normal+

(drier than Normal).

This programmable function is only available for programmes with drying levels.

Follow steps (1, 2, 3 ...) to programme and store in memory.

Before you begin, ensure that:

- The tumble dryer is switched off.
- The door is closed.

1 Press the *Start/Stop* button and keep it pressed in whilst carrying out steps 2-3.

2 Switch the dryer on.

Wait until the *Start/Stop* button lights up constantly . . .

3 . . . and then release the *Start/Stop* button.

4 Press the *Gentle tumble* button nine times.

- The *Gentle tumble* indicator light will flash on and off slowly once and then on and off quickly three times.

A **number** to show which option is selected will appear in the display alternating with the letter *P*.

▣ **Factory default setting**

1 **Drying level range extended**

(The *Automatic plus* indicator light will also flash).

5 Pressing the *Start/Stop* button switches between the options.

6 Switch the dryer off.

The setting you have selected is now stored in memory. You can change it again at any time.

To check the setting:

■ Carry out steps 1 to 4.

■ Switch the dryer off after step 4.

To select the extended drying level

■ Select a programme.

■ Press the drying level button repeatedly until one or two indicator lights come on.

– Indicator lights *Extra dry* and *Normal* = Normal+

– Indicator lights *Normal* and *Hand iron* = Slightly dry

– Indicator lights *Hand iron* and *Machine iron* = Machine iron+

Optional accessories for this dryer are available from your Miele Dealer or from the Miele Spare Parts Department,



or via the internet at
www.miele-shop.com.

Fragrance flacon

For a pleasant fragrance when drying your laundry.

Holder for fragrance flacon

The holder is required to fit the fragrance flacon to the fluff filter.

The holder comes with its own instructions.

Dryer basket

This enables items which must not be subjected to mechanical action to be dried or aired.

The dryer basket comes with its own instructions.

United Kingdom

Miele Co. Ltd.
Fairacres, Marcham Road
Abingdon, Oxon, OX14 1TW
Tel: 0845 365 0555, Fax: 0845 365 0777
Customer Contact Centre Tel: 0845 365 6600
E-mail: info@miele.co.uk
Internet: www.miele.co.uk

Australia

Miele Australia Pty. Ltd.
ABN 96 005 635 398
1 Gilbert Park Drive, Knoxfield, VIC 3180
Tel: 1300 464 353, Fax: (03) 9764 7149
Internet: www.miele.com.au

China

Miele (Shanghai) Trading Ltd.
1-3 Floor, No. 82 Shi Men Yi Road
Jing' an District
200040 Shanghai, PRC
Tel: +86 21 6157 3500, Fax: +86 21 6157 3511
E-mail: mieleshanghai@cn.miele.com
Internet: www.miele.cn

Miele (Hong Kong) Limited

41/F - 4101, Manhattan Place
23 Wang Tai Road
Kowloon Bay
Hong Kong
Tel: (852) 2610 1331, Fax: (852) 2610 1013
Email: mielehk@miele.com.hk

India

Miele India Pvt. Ltd.
Ground Floor, Copia Corporate Suites
Plot No. 9, Jasola
New Delhi – 110025
Tel: 011-46 900 000, Fax: 011-46 900 001
E-mail: customercare@miele.in, Internet: www.miele.in

Ireland

Miele Ireland Ltd.
2024 Bianconi Avenue
Citywest Business Campus, Dublin 24
Tel: (01) 461 07 10, Fax: (01) 461 07 97
E-Mail: info@miele.ie, Internet: www.miele.ie

Manufacturer: Miele & Cie. KG

Carl-Miele-Straße 29, 33332 Gütersloh, Germany

Miele

Malaysia

Miele Sdn Bhd
Suite 12-2, Level 12
Menara SapuraKencana Petroleum
Solaris Dutamas No. 1, Jalan Dutamas 1
50480 Kuala Lumpur, Malaysia
Phone: +603-6209-0288
Fax: +603-6205-3768

New Zealand

Miele New Zealand Limited
Unit L, 10-20 Sylvia Park Road
Mt. Wellington, 1060, Auckland, NZ
Tel: 0800 264 353, Fax: 0800 463 453
Internet: www.miele.co.nz

Singapore

Miele Southeast Asia
Miele Pte. Ltd.
163 Penang Road
04 - 02/03 Winsland House II
Singapore 238463
Tel: +65 6735 1191, Fax: +65 6735 1161
E-Mail: infosea@miele.com.sg
Internet: www.miele.sg

South Africa

Miele (Pty) Ltd
63 Peter Place, Bryanston 2194
P.O. Box 69434, Bryanston 2021
Tel: (011) 875 9000, Fax: (011) 875 9035
E-mail: info@miele.co.za
Internet: www.miele.co.za

United Arab Emirates

Miele Appliances Ltd.
P.O. Box 11 47 82
Gold & Diamond Park
Sheikh Zayed Road
Building 6 / Offices Nos. 6-214 to 6-220
Dubai
Tel: +971-4-341 84 44
Fax: +971-4-341 88 52
E-Mail: info@miele.ae, Internet: www.miele.ae

Free Manuals Download Website

<http://myh66.com>

<http://usermanuals.us>

<http://www.somanuals.com>

<http://www.4manuals.cc>

<http://www.manual-lib.com>

<http://www.404manual.com>

<http://www.luxmanual.com>

<http://aubethermostatmanual.com>

Golf course search by state

<http://golfingnear.com>

Email search by domain

<http://emailbydomain.com>

Auto manuals search

<http://auto.somanuals.com>

TV manuals search

<http://tv.somanuals.com>