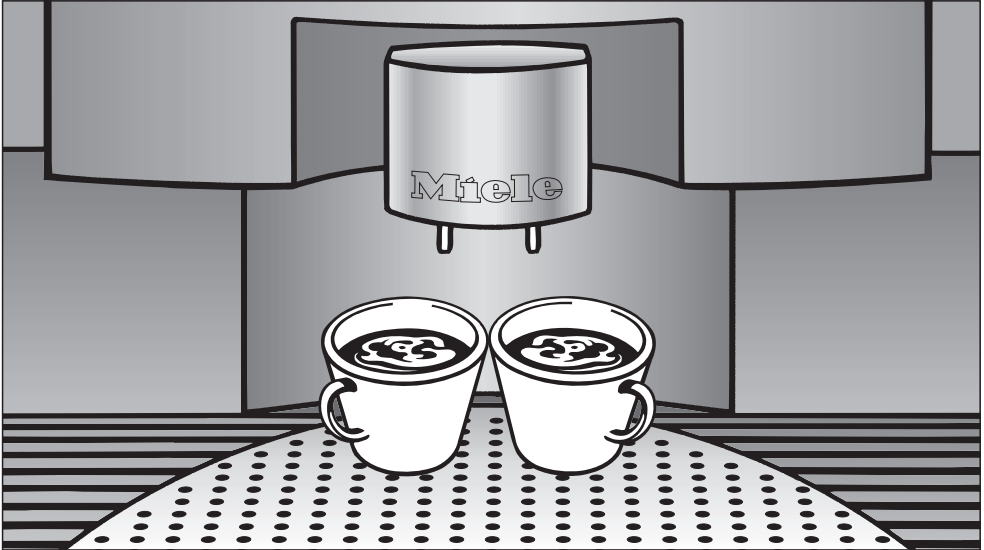


Miele

Operating instructions



Coffee System CVA 615

To prevent accidents and machine damage, read these instructions **before** installation or use.



M.-Nr. 06 494 750

Contents

IMPORTANT SAFETY INSTRUCTIONS	4
Guide to the coffee system	7
Programming	9
Program mode	9
Choosing a language	10
Rinsing feature	11
Determining the water hardness	12
Setting the water hardness	13
Setting the drink temperatures	14
Pre-brewing feature	15
Pre-grinding feature	16
Hot water feature	17
Total coffee counter	18
Setting the standby timer	19
System lock	20
Before using the coffee system	21
Water tank	22
Coffee bean container	23
Setting the serving sizes	24
Coffee and espresso	25
Hot water	26
Making coffee	27
Pre-warming	27
Preparing two cups simultaneously	28
Cappuccino	29
Dispensing hot water	31
Setting the coffee grinder	32
Adjusting the coffee grinder	32
Setting the quantity	33

Coffee system care	34
Daily care	34
Exterior	35
Stainless steel	35
Stainless steel colored controls	35
Interior	35
Drip catch	36
Waste unit	37
Steam valve	37
Brew unit	38
Rinsing cycle:	
Degreasing the brew unit	39
Cleaning the brew unit filters	40
Lubricating the brew unit	41
Change the gaskets	42
Changing the light bulb	43
Descaling the appliance	44
Automatic descaling	44
Fault messages	47
Frequently asked questions	48
After sales service	52
Installation instructions	53
Caring for the environment	54
Electrical connection	55
Installation	56
Installation options	56
Coffee glossary	59

IMPORTANT SAFETY INSTRUCTIONS

When using electrical appliances, basic safety precautions should always be followed, including the following:

Read all instructions before installation or use of the coffee system.

Please read these instructions carefully to prevent accidents and machine damage.

This appliance is for household use only. Any other use is not recommended by the manufacturer and could be dangerous.

This appliance complies with current safety requirements. Improper use of the appliance can cause personal injury and material damage.

The manufacturer cannot be held responsible for damage caused by improper use of the appliance.

Electrical safety

■ Before connecting the appliance to the electrical supply, make sure that the voltage and frequency listed on the data plate correspond with the household electrical supply. If in doubt, consult a qualified electrician.

■ Be certain your appliance is properly installed and grounded by a qualified technician.

To guarantee the electrical safety of this appliance, continuity must exist between the appliance and an effective grounding system. It is imperative that this basic safety requirement be met. If there is any doubt, have the electrical system of the house checked by a qualified electrician. The manufacturer cannot be held responsible for damages caused by the lack, or inadequacy, of an effective grounding system.

■ The appliance must be built into cabinetry before operation to ensure that no electrical components are accessible. Ensure that electrical power is not supplied to the appliance while installation work, repairs or maintenance is performed.

■ Do not use an extension cord to connect the appliance to electricity. Extension cords do not guarantee the required safety of the appliance (danger of overheating).

IMPORTANT SAFETY INSTRUCTIONS

■ Never open the housing of the appliance. Tampering with electrical connections or components and mechanical parts is dangerous and may cause machine damage.

■ Before service or maintenance, disconnect the power supply by either removing the fuse, "tripping" the circuit breaker or unplugging the unit.

■ Never use a steam cleaner to clean the appliance. Pressurized steam could damage electrical components and cause a short circuit.

■ To protect against fire, electric shock and injury do not submerge the cord or plugs in water or other liquids.

■ Do not operate the appliance if the cord or plug has been damaged, or if the appliance malfunctions or is damaged in any way. Please contact the Miele Technical Service Department.

■ Do not let the cord hang over the edge of the table or counter, or touch hot surfaces.

Installation

■ Installation work and repairs should only be performed by a trained technician to ensure safety. Repairs and other work by unauthorized persons could be dangerous.

■ This equipment has not been designed for maritime use or for use in mobile installations such as aircraft or recreational vehicles. However, under certain circumstances it may be possible for installation in these applications. Please contact the Miele Technical Service Department with specific requirements.

■ Before the appliance is connected, the steam selector must be in the off position to prevent an uncontrolled escape of steam or hot water and possible burns.

■ Always attach the plug to the appliance first, then plug the cord into the wall outlet. To disconnect, turn the program selector to "Off", then remove the plug from the wall outlet.

IMPORTANT SAFETY INSTRUCTIONS

Use

The coffee system must be cleaned daily to prevent the growth of harmful bacteria and mold. Please read the "Coffee system care" section of this manual.

Warning: Danger of scalding. The liquids dispensed and the nozzles themselves are very hot.

The hot water and steam dispensed from the machine could cause burns. Use these functions carefully. Never direct the steam nozzle towards your body or use this machine to clean objects.

To prevent burns, turn the steam selector to the "o" position when not needed.

The steam nozzle and hot water dispensers become very hot during use. Always grip the steam nozzle by the insulated collar.

Do not touch hot surfaces. Use the handles or knobs.

Allow the coffee system to cool before putting on or taking off parts, and before cleaning.

Children should not use the appliance unsupervised.

Do not use outdoors.

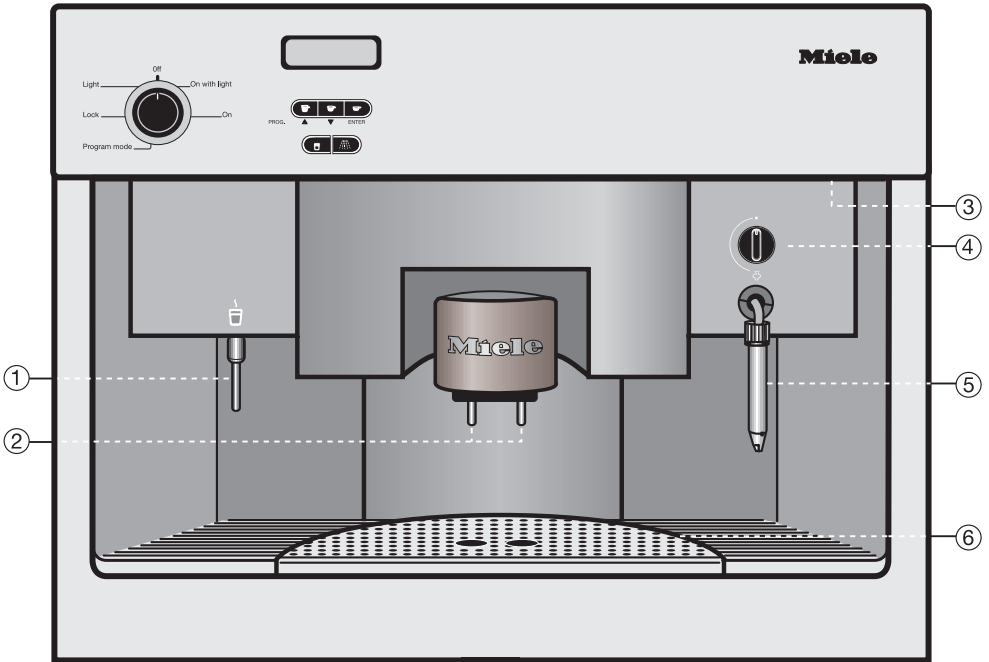
The use of accessory attachments not recommended by the appliance manufacturer may result in fire, electric shock or injury.

The water lines must be flushed and the machine cleaned thoroughly before the first coffee is prepared.

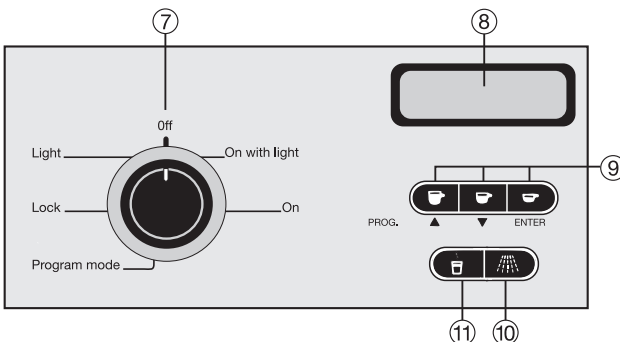
Only fill the water tank with cold, fresh drinking water. The water must be changed daily to prevent bacteria or mold growth.

SAVE THESE INSTRUCTIONS

Guide to the coffee system

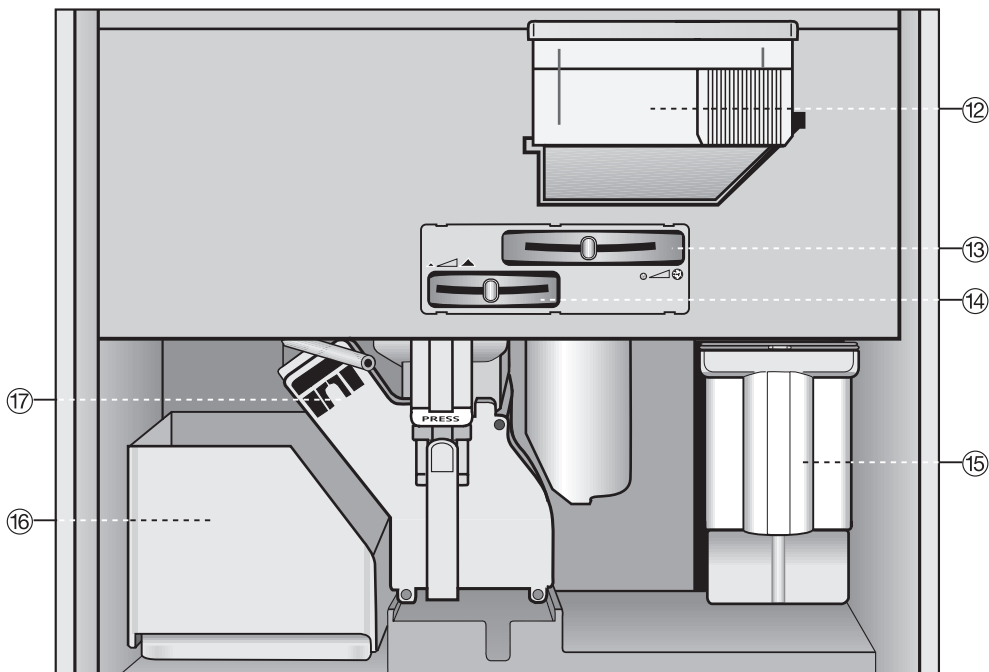


- ① Hot water dispenser
- ② Coffee dispensers (height-adjustable)
- ③ Handle to open appliance front
- ④ Steam selector
- ⑤ Steam nozzle with milk frother
- ⑥ Drip catch



- ⑦ Program selector
- ⑧ Message window
- ⑨ Coffee serving buttons
- ⑩ Rinse/Pre-warm button
- ⑪ Hot water button

Guide to the coffee system

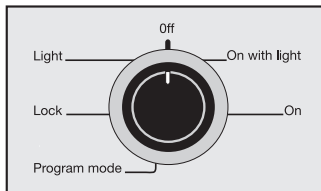


- ⑫ Coffee bean container
- ⑬ Slide control to select the fineness of the ground coffee
- ⑭ Slide control to select the quantity of ground coffee
- ⑮ Water tank
- ⑯ Waste unit
- ⑰ Brew unit

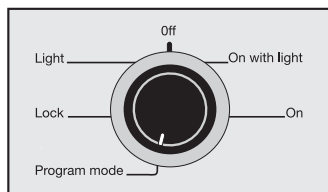
Program mode

The coffee system can be customized to each household through the "program mode."

To program the appliance:



If a setting is accidentally changed, turn the program selector to "Off" instead of confirming it with ENTER. The changed setting will not be saved and the original setting will be retained.



- Turn the program selector to "Program mode".

The appliance is now in program mode and will respond according to the symbols shown under the coffee serving buttons.



- By pressing the ▲ or ▼ button,
 - a programming option in the message window can be highlighted with an asterisk.
 - the settings of the various programming options can be adjusted.



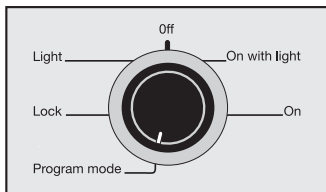
- By pressing ENTER,
 - a programming option highlighted with an asterisk can be selected.
 - a change to the programmed settings is saved.

Programming

Choosing a language

The language for the commands in the message window should be selected before the machine is used.

The following languages are available: English, Spanish, French, German, Dutch, Portuguese and Italian.



- Turn the program selector counterclockwise to "Program mode."

The following will appear in the message window:



Programming option "LANGUAGE" will be highlighted with an asterisk.



- Press ENTER to select this programming option.

The sub-menu will appear in the message window.



- Press the ▼ button until the desired language appears (english, espanol, francais, deutsch, nederlands, portugues or italiano).

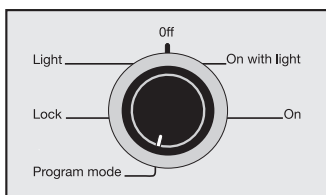


- Press ENTER to **save** this setting, or turn the program selector to "Off" to **cancel** if a mistake has been made.

All text in the message window will now appear in the selected language.

Rinsing feature

The rinsing feature flushes out coffee residue and pre-warms the coffee system. When "Rinsing - On" is selected the system will automatically be flushed and pre-warmed when the appliance is turned on. If this feature is set to "Rinsing - Off" the system will only be flushed and pre-warmed when the rinse/pre-warm button is pressed.



- Turn the program selector counterclockwise to "Program mode."



- Press the ▼ button, to highlight "RINSING" with an asterisk.



- Press ENTER to select this programming option.

The sub-menu will appear in the message window.



- Press button ▼, to turn the "Rinsing" feature on or off.

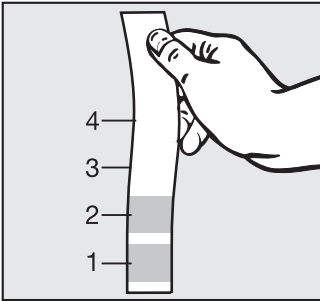


- Press ENTER to **save** this setting, or turn the program selector to "Off" to **cancel** if a mistake has been made.

Programming

Determining the water hardness

The hardness of the water (tap or bottled) used in the coffee system must be determined and programmed into the appliance. The water hardness will determine how frequently the unit must be descaled to maintain the coffee system properly. The machine monitors the volume of water passing through it in conjunction with the hardness of the water and will indicate when descaling is necessary. Your local water authority can tell you the hardness of your tap water or you can measure the hardness yourself using the enclosed test strip.



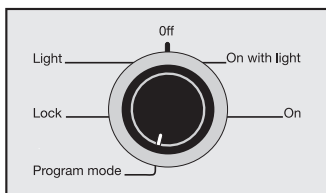
- Dip the strip in your drinking water for one second, then shake off excess water.

The result will be evident after a minute.

If the water hardness is greater than 40 gr/gal (700 ppm), the water **must** be mixed in equal parts with non-carbonated mineral water to prevent excessive limescale build-up. **Never** use distilled water.

Program setting	Water Hardness	gr/gal	ppm
Hardness 1	1 (soft)	0 - 3	0 - 130
Hardness 2	1 (soft)	4 - 7	130 - 250
Hardness 3	2 (medium)	7 - 14	250 - 380
Hardness 4	3 (hard) 4 (very hard)	14 - 21 over 21	over 380

Setting the water hardness



- Press ENTER to **save** this setting, or turn the program selector to "Off" to **cancel** if a mistake has been made.

- Turn the program selector counterclockwise to "Program mode."

WATERHARDN: *
TEMP.L.COFFEE

- Press the ▼ button to highlight "WATER HARDN." with an asterisk.



- Press ENTER to select this programming option.

The sub-menu will appear in the message window.

WATERHARDN.
HARDNESS 3

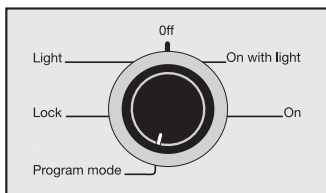


- Press the ▼ button to set the water hardness level (hardness 1 - 4).

Programming

Setting the drink temperatures

The appliance can be set at different temperatures to suit varying coffee drinking preferences. Five temperature levels are available for each drink option.



- Turn the program selector counterclockwise to "Program mode."



- Press the ▼ button to highlight a drink option
"TEMP. L. COFFEE" (long),
"TEMP COFFEE" (regular) or
"TEMP. S. COFFEE" (espresso)
with an asterisk.

A different temperature can be programmed for each drink.



- Press ENTER to select the option.

Depending on the programming option selected, the sub-menu is shown in the message window as follows:



- Press the ▼ button to set the temperature to minimum, low, medium, high or maximum.

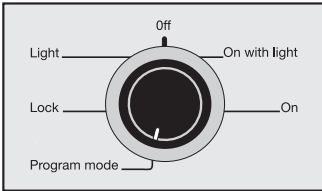


- Press ENTER to **save** this setting, or turn the program selector to "Off" to **cancel** if a mistake has been made.

Pre-brewing feature

When the pre-brewing feature is on, the freshly ground coffee is moistened with a little hot water to allow the aroma and crema of the coffee to fully develop.

When the pre-brewing feature is off, the hot water is forced through the coffee immediately.



- Turn the program selector counterclockwise to "Program mode."



- Press the ▼ button to highlight "PREBREWING" with an asterisk.



- Press ENTER to select this option.

The sub-menu will appear in the message window.



- Press the ▼ button to set the pre-brewing process on, off or to "long" (an extra long pre-brew).



- Press ENTER to **save** this setting, or turn the program selector to "Off" to **cancel** if a mistake has been made.

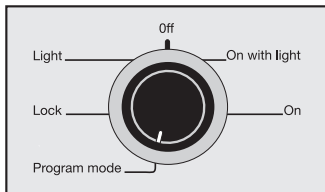


When making coffee with the prebrewing feature on, "PREBREWING" will appear in the message window after the coffee has been ground.

Programming

Pre-grinding feature

The pre-grinding feature allows a new portion of beans to be ground after each coffee is dispensed, so there is always ground coffee ready. This saves time if coffee is dispensed frequently. To preserve aroma, the pre-grinding feature should be turned off when only preparing coffee occasionally.



- Turn the program selector counterclockwise to "Program mode".



- Press the ▼ button to highlight "PREGRINDING" with an asterisk.



- Press ENTER to select this option.

The sub-menu will appear in the message window.





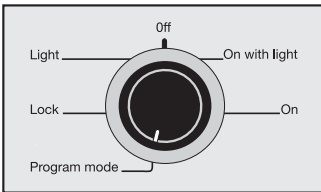
- Press the ▼ button to turn the pre-grinding feature on or off.



- Press ENTER to **save** this setting, or turn the program selector to "Off" to **cancel** if a mistake has been made.

Hot water feature

When the feature "Programmed hot water" is turned on, the machine will dispense a precise, pre-programmed quantity of hot water when the hot water button  is pressed. When the feature is turned off, the machine will dispense hot water until the hot water button  is pressed again.



- Turn the program selector counterclockwise to "Program mode".



- Press the ▼ button to highlight "PROG. H. WATER" with an asterisk.



- Press ENTER to select this option.

The sub-menu will appear in the message window.



- Press the ▼ button to set the feature on or off.

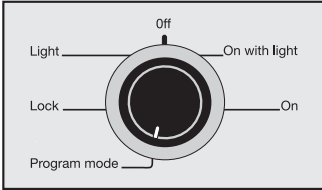


- Press ENTER to **save** this setting, or turn the program selector to "Off" to **cancel** if a mistake has been made.

Programming

Total coffee counter

The feature "Total coffee" will display the number of cups of coffee (espresso, coffee and long coffee) that have been dispensed to date.



- Turn the program selector counterclockwise to "Program mode."



- Press the ▼ button to highlight "TOTAL COFFEE" with an asterisk.



- Press ENTER to select this option.

The number of coffees that have been dispensed will be displayed in the message window.



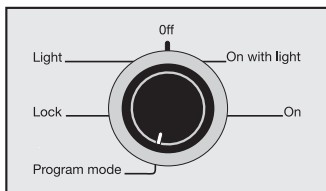
- Press ENTER to return to the main menu.

Setting the standby timer

To help create a more energy efficient coffee system the machine can be set to power down after a programmed time period.

The standby time can be set in 15 minute increments up to 3 hours.

The time is measured from the last time a drink was dispensed.



- Turn the program selector counterclockwise to "Program mode".



- Press the ▼ button to highlight "TIMER" with an asterisk.



- Press ENTER to select this option.

The sub-menu will appear in the message window.



- Press the ▼ or ▲ button to select the required length of time. The time can be set in 15 minute increments.



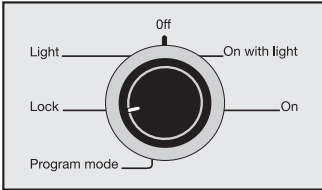
- Press ENTER to **save** this setting, or turn the program selector to "Off" to **cancel** if a mistake has been made.

If the rinse feature is set to "On" and a drink was already dispensed, the system will be rinsed automatically before going into standby.

System lock

The coffee system can be locked so that it cannot be used by children or those not familiar with the operating instructions.

Activating the system lock



- Turn the program selector counterclockwise to the "Lock" position.

The following will appear in the message window:



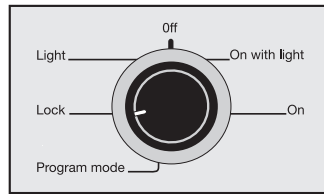
- Press and hold the ▲ button for 10 seconds.

The following appears in the message window:



The appliance is now locked and will not operate. The system will remain locked and the lighting will remain turned off even if the program selector is turned.

Deactivating the system lock



- Turn the program selector counterclockwise to the "Lock" position.

The following will appear in the message window:



- Press and hold the ▲ button for 10 seconds.

The following appears in the message window:



The machine is now unlocked and ready for use.

Before using the coffee system

The appliance must be correctly installed and connected before the first use. Please see the "Installation instructions."

Before using the coffee system, certain parts need to be cleaned and the water lines need to be flushed.

- Hand wash with hot water and liquid dish soap or if removable place in the dishwasher:
 - coffee bean container,
 - coffee and hot water dispensers,
 - steam nozzle.

Be aware that with frequent cleaning in the dishwasher food remnants e.g. tomato sauce, may cause parts to discolor.

- Hand wash with hot water and liquid dish soap:
 - water tank.
- Rinse thoroughly with warm water:
 - brew unit,
 - drip sponge.
- Flush the system twice to make sure that all water lines are clean.

See "Coffee system care" for more information.

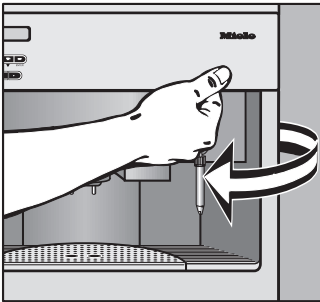
Water tank

Filling the water tank

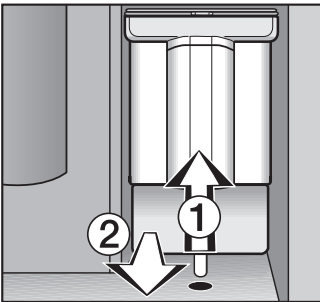
The water tank must be washed and filled with fresh drinking water before each day of use.

A reminder will appear in the message window when the unit is first turned on.

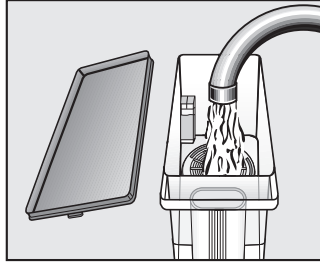
FRESH WATER?



- Open the front of the machine.



- Lift the water tank up and out of the appliance.



- Open the lid and fill the container with cold drinking water to within about 1" (2 cm) of the top.

Never add hot water or any other liquid except cold water to the water tank.

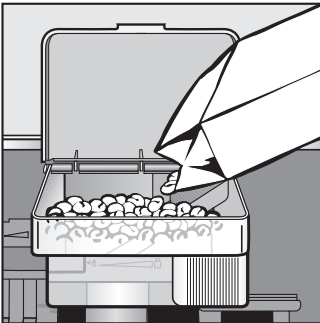
- Close the lid and place the tank in the machine, pushing it straight back.

Filling the coffee bean container

Only put pure espresso or coffee beans in the container. Anything else will damage the grinder, i.e. ground coffee, hot cocoa, instant coffee, or treated coffee beans (flavorings, caramel, or sugar).

Do not remove the coffee bean container from the appliance unless it is completely empty, otherwise coffee beans will spill out.


- Carefully pull the container out as far as it will go so that the lid is visible. Lift the lid.





- Fill the container with coffee beans to within about 1" (2 cm) of the top.
- Close the lid and push the container back into place.
- Shut the appliance door.

Setting the serving sizes

The flavor of the coffee depends on the type of coffee, how finely the beans are ground and the quantity of water used. To ensure the machine uses exactly the amount of water to suit your taste and your cups, there is a choice of three serving sizes for espresso/coffee.

The espresso button  dispenses a standard size espresso.

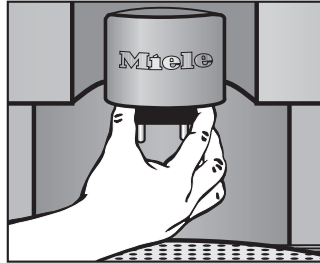
The coffee button  dispenses coffee for a standard size coffee cup. It uses the same quantity of ground coffee as an espresso, but adds more water.

The long coffee button  dispenses more water, suitable for a large coffee cup or mug. Only the volume of water is increased, resulting in a milder flavor.

The volume of water dispensed by each button can be adjusted to your taste.

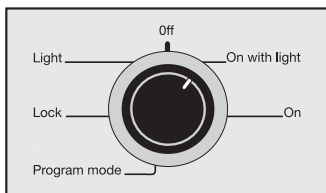
Adjusting the coffee dispensers

The height of the coffee dispensers are adjustable to suit different cup sizes.



- Gently pull the dispensers up or down.

Coffee and espresso



- Turn the program selector clockwise to the "On" position (with or without lighting).

The following will appear in the message window:

MIELE
SELFTEST

FRESH WATER?

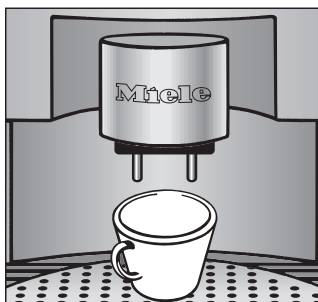
If the machine is cold and the rinsing feature has been selected, the following message will then be displayed:

RINSING
WARMING UP

Once the water is hot, the following appears in the message window:

RINSING /
PREWARMING

SELECT PRODUCT
READY FOR USE



- Place a cup under the two coffee dispensers.

Coffee is always dispensed simultaneously from **both** spouts.



- Press and hold the coffee serving button appropriate to the size of cup until the cup is full as desired. Release the coffee serving button.

The following appears in the message window during this process:

1 COFFEE
PROGR.QUANTITY 

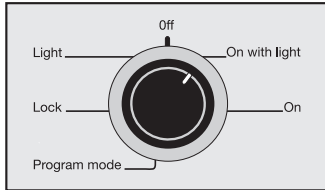
The procedure is the same for the other two coffee serving buttons.

The programmed volume will now be dispensed every time that coffee serving button is pressed.

Setting the serving sizes

Hot water

To program the volume of hot water dispensed, the hot water feature must be programmed "on".
(See "Programming/Hot water feature").



- Turn the program selector clockwise to the "On" position (with or without lighting).

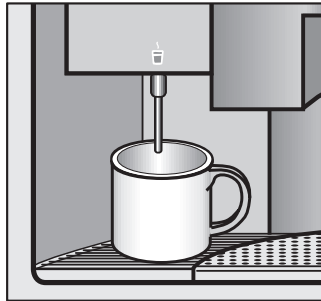
The following will appear in the message window:



If the machine is cold and the rinsing feature has been selected, the following message will then be displayed:





Once the water is hot, the following will appear in the message window:



- Place a cup under the hot water dispenser.



- Press and hold the hot water button . There will be a few seconds delay before water is dispensed. When the cup is full as desired release the hot water button .

The following appears in the message window during this procedure:

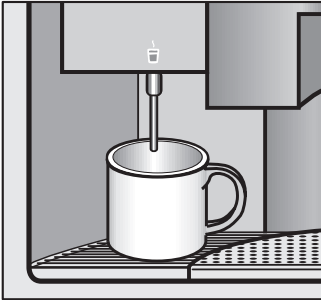


If the feature "**Prog. hot water**" is "**off**", the machine will continue to dispense hot water until the hot water button  is pressed again.

Pre-warming



The pre-warm feature allows the system and the cups to be pre-warmed to fully develop the flavor and aroma of your coffee.

Pre-warming cups

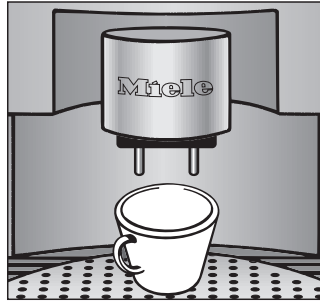


- Place the cup under the hot water dispenser.



- Press the hot water button  and half fill the cup.
- Press the hot water button  again to stop.
- Leave the cup for a few seconds to warm, then pour the water away.

Pre-warming the system



- Place a cup or container under the two coffee dispensers.



- Press the rinse/pre-warm button .

The following will appear in the message window:

RINSING *
RINSING CYCLE



- Press ENTER to start the rinsing process.

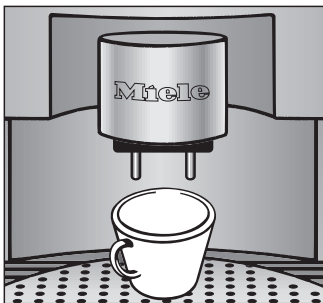
Hot water will be dispensed from both nozzles, warming the system. The message window will read:

RINSING /
PREWARMING

- Place the empty, pre-warmed cup under the coffee dispensers, and prepare the coffee as you normally would.

Making coffee

Espresso or coffee



- Place a cup under **both** coffee dispensers.



- Press the desired coffee button once.

The coffee will be prepared.

The following message will appear in the message window, depending on the button pressed:



If "Pre-brewing" is turned on, the following will appear in the message window:

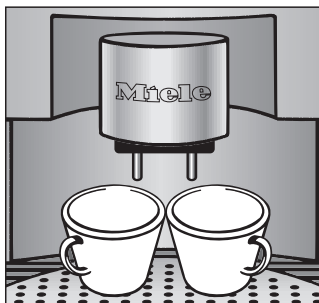


Canceling preparation



- To cancel a coffee being dispensed, press any one of the coffee buttons to stop preparation immediately.

Preparing two cups simultaneously



- Place a cup under each of the coffee dispensers.



- Press the desired coffee button twice in quick succession to bring up two cups ☕ in the message window.

The cups will be filled in two stages with a slight pause in between. Depending on the serving selected, the following will appear in the message window:



If "Pre-brewing" is on, the following will appear in the message window after the grinding process:

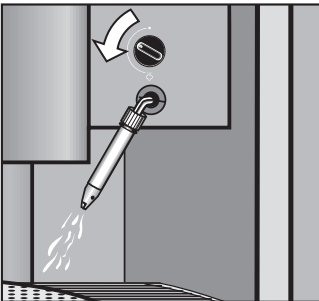


Cappuccino

Cold, whole milk is best for creating froth. The higher the fat content the better the froth. Ideally it should be prepared in a cold, stainless steel pitcher.

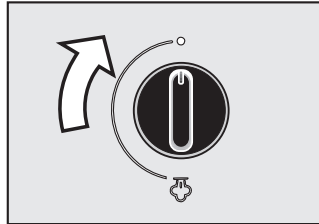


- Fill a small, cold, stainless steel pitcher a third of the way with cold milk while dispensing espresso.

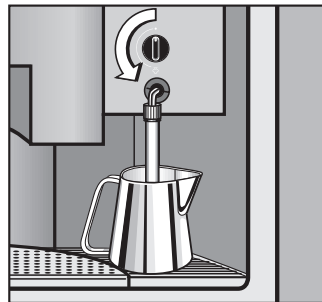


- Direct the steam nozzle toward the drip tray and **slowly** turn the steam selector counterclockwise.

Any condensed water in the nozzle will be expelled.



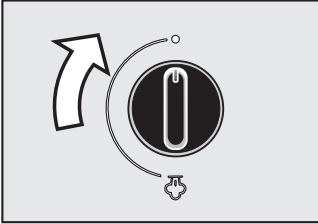
- As soon as steam appears from the nozzle, shut the steam off by turning the steam selector clockwise, to the "0" position.



- Position the steam nozzle just below the surface of the milk in the pitcher and **slowly** turn the steam selector counterclockwise.
- Move the pitcher in circles until a thick froth appears, then lower the nozzle deeper into the milk to heat the rest.

Do not allow the milk to boil. The foam will collapse and a skin will form.

Making coffee

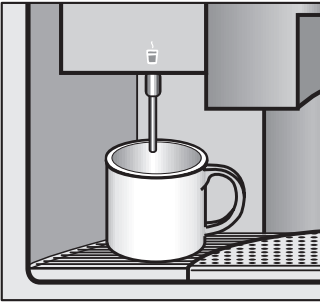


- Turn the steam off by turning the steam selector clockwise to the "0" position.
- Pull the pitcher away from the steam nozzle. Carefully pour the milk into the coffee and spoon some froth onto the surface.

Always clean the steam nozzle immediately after use, it is harder to clean once the milk has dried.

- Dispense a quick spurt of steam into an empty cup.
- Wipe milk off the nozzle with a damp sponge.

Hot water




- Place a cup under the hot water dispenser.



- Press the hot water button .

Hot water will be dispensed.



- Press the hot water button  again to stop the hot water flow.

The machine will stop automatically if a volume has been programmed in for hot water and feature "Prog. hot water" is activated.

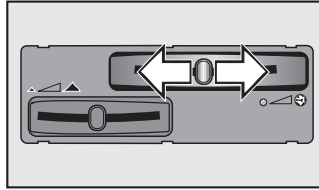
Setting the coffee grinder

Adjusting the coffee grinder

To prevent machine damage, the slide control for the coffee grinder setting should be moved carefully and in small adjustments.

- If the espresso flows too quickly into the cup, the beans have been ground too coarsely. The grinder should be adjusted to a finer setting.
- If the espresso only trickles into the cup, the beans have been ground too fine and the coffee will be bitter. The grinder should be adjusted to a coarser setting.
- If the crema is evenly colored but pale, the ground coffee is too coarse.
- If the crema is very dark brown on one side, graduating almost to white on the other, the ground coffee is too fine.

To adjust the grinder setting



- Push the upper slide control to the left for finer grinding or to the right for coarser grinding.

You should be able to feel the notches when moving the slide control.

If the slide control will not move:

- Close the machine and dispense a cup of coffee. Then try to move the slide control again.

Setting the coffee grinder

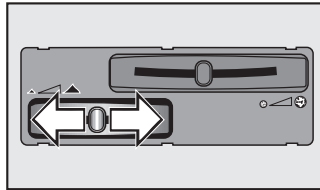
Setting the quantity

Both the flavor and crema of the coffee depend on the quantity of ground coffee used. The greater the quantity, the stronger the flavor will be.

The quality of the crema is also affected by the quantity:

- If the crema is evenly colored but pale, increase the quantity setting.
- If the crema is very dark brown on one side, graduating almost to white on the other, decrease the quantity setting.

To adjust the quantity setting:




- Push the lower slide control to the left to grind less coffee or to the right to grind more coffee.

Coffee system care

Daily care

At the end of each day, the coffee dispensers and the brew unit must be flushed clean.

 **Warning!** Allow the appliance to cool before cleaning. Hot surfaces can cause burns.



- Press the Rinse/pre-warm button.

The message window will read:



- Press ENTER and the display will change to:



Hot water will flow through and clean the brew unit and coffee dispensers.

The components of the coffee system must be cleaned after each day of use to prevent mold and bacteria growth.

- The following components can either be hand washed with hot water and liquid dish soap or placed in the dishwasher if removable:

- coffee and hot water dispensers,
- steam nozzle,
- waste unit,
- metal grate and plastic tray,
- drip catch.

Be aware that with frequent cleaning in the dishwasher food remnants e.g. tomato sauce, may cause parts to discolor.

- Hand wash with warm water and liquid dish soap:
 - water tank.
- Rinse thoroughly with warm water:
 - brew unit,
 - drip sponge.

Exterior

- The exterior can be cleaned with hot water and liquid dish soap applied with a soft sponge. Do not use abrasive cleansers or scrubbers.
- Wipe dry using a soft cloth.

Stainless steel

Stainless steel surfaces can be cleaned using a non-abrasive stainless steel cleaner.

To help prevent resoiling, a conditioner for stainless steel can also be used. Apply sparingly with even pressure.

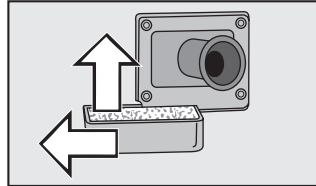
Stainless steel colored controls

These controls may become discolored or damaged if not cleaned regularly with hot water and liquid soap. Do not use a stainless steel cleaner on these controls.

Wipe up any spills of descaling solution immediately!

Interior

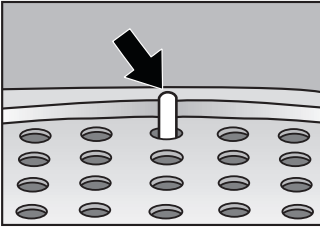
The interior can be cleaned with hot water and liquid dish soap. Wipe dry using a soft cloth.



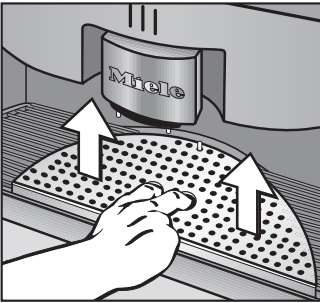
A funnel is situated on the inside of the door. A sponge under this funnel catches drips. Rinse the sponge after each day of use.

Coffee system care

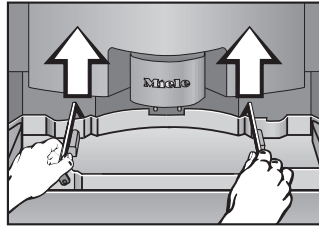
Drip catch



The drip catch has a red float that will rise when the catch is full. The catch should be cleaned when the float rises and at the end of each day to prevent spills and odors.

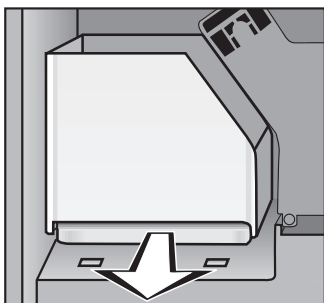


- Remove the metal grate and plastic tray from the drip catch and clean by hand with warm water and liquid dish soap or place in the dishwasher. Be careful not to lose the red float.
- Open the appliance door.

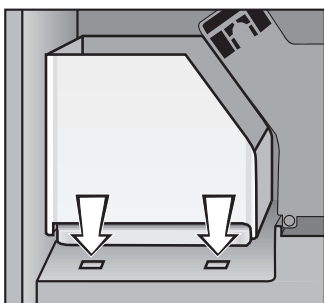


- Take the drip catch out of the appliance. Clean it by hand with warm water and liquid dish soap or place in the dishwasher.
- Dry all parts and replace them in the reverse order.
- Close the door.

Waste unit



- Lift the waste unit up and out.
- Clean the waste unit by hand with hot water and liquid dish soap or place in the dishwasher.



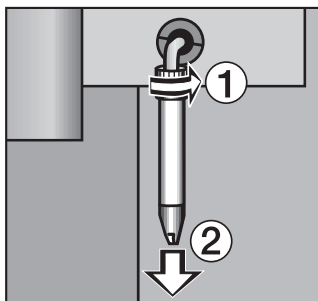
- Push the waste unit back into place, positioning it over the notches.

If "**WASTEUNIT MISSING**" appears in the message window after cleaning, the waste unit was not seated correctly. Reposition the unit. Close the door and press ENTER.

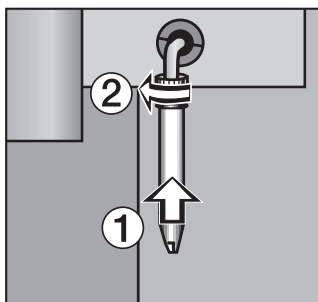
The appliance will not operate when this message appears.

Steam valve

Clean the steam valve after every use, it becomes harder to clean once the milk has dried.



- Loosen the upper screw, ①, and pull the sleeve of the steam valve down, ②.
- Clean the sleeve with warm water and liquid dish soap (or in the dishwasher) and dry.



- Push the sleeve onto the steam nozzle, ①, and tighten the screw, ②.

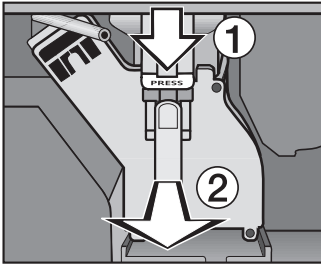
Coffee system care

Brew unit

Clean the brew unit by hand only. The moving parts and the rubber gaskets cannot be cleaned in a dishwasher.

Lubricate the brew unit with the enclosed silicon every 500 cups (see "Lubricating the brew unit").

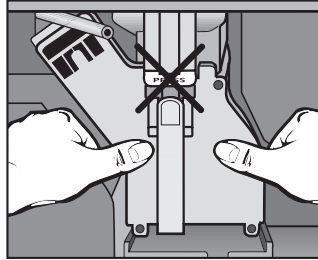
- Remove the waste unit. The brew unit can only be removed after the waste unit has been taken out.



- Hold the brew unit with the handle and press down with your thumb on "PRESS".
- Pull the brew unit out.
- Clean the brew unit thoroughly under running warm water. **Do not** use detergent.
- Rub away any coffee residues from the filters with a sponge.

One filter is in the funnel, the second is to the left of the funnel. The second filter is removable (see "Cleaning the brew unit filters".)

- Dry the funnel to prevent ground coffee from sticking.
- After cleaning press "PRESS".



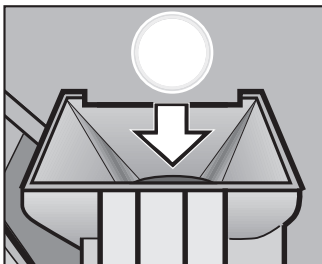
- Push the brew unit in the track straight into the appliance **without** pressing "PRESS" until it clicks into place.

Rinsing cycle: Degreasing the brew unit

RINSING CYCLE


The natural oil found in coffee can cause the brew unit to clog. The message "Rinsing cycle" will flash in the message window after 500 cups to remind you to clean the unit with the enclosed detergent tablets. These cleaning tablets can be purchased from your Miele dealer or the Miele Technical Service Department.

- Remove the waste unit.



- Take out the brew unit and put the detergent tablet in the brew unit funnel.
- Return the brew unit and waste unit to the appliance and close the door.
- Set a 3 cup (25 oz) container under the coffee dispensers.



- Press the rinse/pre-warm button . (The unit must be pre-heated and ready to use otherwise the button will not respond.)

The display will read:



- Press ▼, to select "Rinsing cycle" with the asterisk.



- Press ENTER.

The display will read:



A small amount of water will flow out of the coffee dispensers. After a pause more water will flow out. This process will run 4 times, dispensing 2 cups (17 oz) of hot water. The whole process will take about 5 minutes.

- At the end of the cleaning cycle the display will read:



The brew unit is now clean and ready to use.

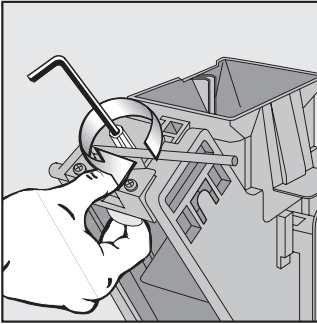
Coffee system care

Cleaning the brew unit filters

- Wipe away any coffee residues from the **steel filter in the funnel** of the brew unit with a sponge.

The **chrome filter to the left of the funnel** can be removed for thorough cleaning. Check and clean the chrome filter regularly.

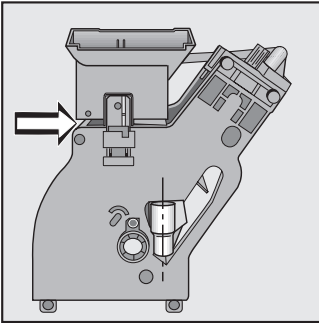
- Remove the brew unit.



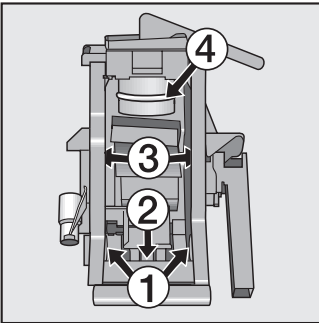
- Fit the enclosed allen wrench to the connection point (see illustration) in the brew unit. Turn it counterclockwise while supporting the chrome filter from below.
- Remove the chrome filter with the screw.
- Clean the filter with hot water and dry.
- Return the chrome filter to the brew unit and secure it by turning the allen wrench clockwise. Press slightly against the filter to allow threading.

Lubricating the brew unit

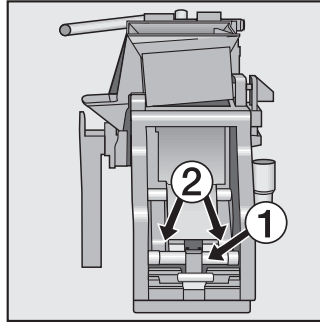
- Remove the brew unit.



Check that the brew unit is in the basic position with the funnel slightly lifted and the socket in the vertical position (see illustration).



- Lubricate the joints, ①, the axle, ②, the tracks, ③, and the gasket, ④, with silicon grease.

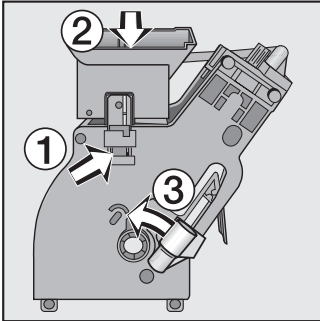


- Clean and lubricate the bolt, ①, and the joints, ②.
- Return the brew unit to the appliance.

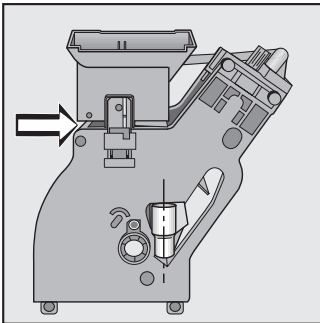
Coffee system care

Resetting the brew unit's basic position:

- Press on the latch, ①, and press the funnel down, ②.

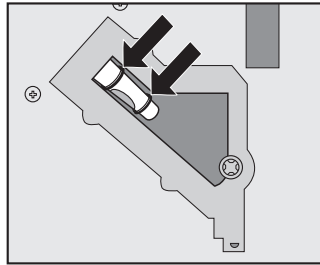


- Push the connection piece to the far left, ③.
- Press "PRESS" once.



The basic position shown above is reset and the brew unit can be set back into the machine.

Change the gaskets



- If a leak occurs change the gaskets.

Three gaskets are enclosed with the machine. One gasket is located between the steam valve and the sleeve. The other two gaskets are located behind the brew unit at the water feed tube.

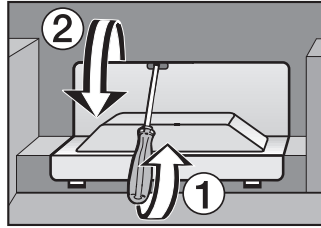
Changing the light bulb

Before changing the light bulbs, disconnect the appliance from the power supply by either removing the fuse, unplugging it, or manually "tripping" the circuit breaker.

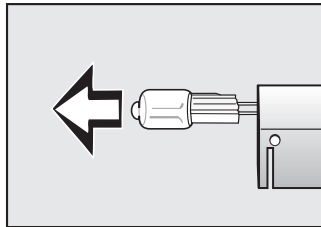
When in use the halogen bulbs become extremely hot, and they can burn your hands. Do not attempt to change the bulbs until they have had sufficient time to cool.

Do not touch the bulb surface. Fingerprints or body oils deposited on the bulb will decrease its life. Please follow the bulb manufacturer's instructions.

- Open the appliance door.



- Insert a small screw driver into the opening and carefully press up, ①.
- At the same time pull the light cover down, ②.



- Pull the old bulb out of its socket.
- Replace with a new bulb (12 V, 5 watts).
- Close the lamp cover.

Descaling the appliance

The coffee system must be descaled regularly. The time period depends on the water hardness set. The appliance will display a reminder message and will eventually lock if not descaled.

The message window will first display: "DESCALE AFTER COFFEES: 100".

DESCALE AFTER
COFFEES: 100

This message will appear until the appliance is descaled or locks. When the count is down to zero, the appliance will lock and the message window displays:

DESCALING

The appliance can only be used again once descaling has been performed.

Let the machine cool before descaling. Remove the sleeve of the steam nozzle to avoid damage from the descaling agent.

Only use the enclosed descaling tablets for descaling.

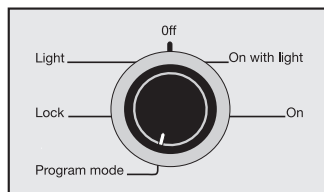
The descaling tablets are specially designed for descaling this coffee system. Other agents may damage the machine and affect the taste of the coffee and hot water. The descaling tablets can be purchased from Miele.

To prevent damage to the exterior of the machine **wipe up any descaling solution spills immediately!**

- Add 2 liters of water to the water tank. Dissolve two of the enclosed descaling tablets in the water.
- Close the water tank and insert into position.
- Close the door.

The descaling will take place in the automatic descaling program.

Automatic descaling



- Turn the program selector counterclockwise to the "Program mode" position.



- Press ▼, to select "Descaling" with the asterisk.

DESCALING *
TIMER

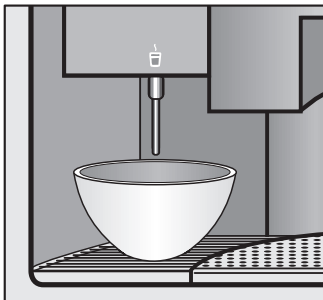


- Press ENTER.

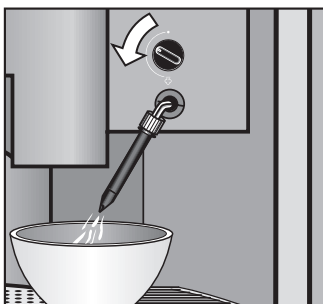
Descaling the appliance

The message window will read:

DESCALING



- Place a 1 liter container below the hot water dispenser.



- Place a 1 liter container below the steam nozzle and turn the steam selector counterclockwise.

The coffee system will begin the automatic descaling. The display will read:

MACHINE IS
DESCALING

Do not open the door during descaling and do not turn the program selector to "Off". This will interrupt the descaling process. If the process is interrupted, add water to the reservoir, turn the program selector back to "Program mode" and close the door. Also, empty the containers under the dispensers and steam nozzle as more water will be expelled.

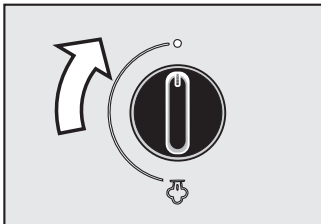
The pump will introduce a small amount of descaling solution into the system, then rest briefly to allow the solution to take effect. The process lasts about 30 minutes.

Throughout the process, check the collecting containers to make sure that they do not overflow.

When descaling is complete, the display will read:

DESCALING
FINISHED

Descaling the appliance



- Turn the steam selector clockwise to the "o" position.



- Press ENTER.

The display will read:

RINSE MACHINE
FILL WATERTANK

The machine needs to be rinsed to clean out the descaling residue.

- Fill the water tank three quarters of the way with cold water and place it back into the machine.
- Place the empty 1 liter containers below the hot water dispenser and the steam nozzle and turn the steam selector counterclockwise.
- Allow the water to run through the spout and nozzle completely.

When the water tank is empty, the display will read.

RINSING
FINISHED



- Turn the steam selector clockwise to position "o" and press ENTER.
- If the program selector is on "Program mode", the display will read:

DESCALING *
TIMER

The unit is now descaled and ready for use.

Fault messages

If an error occurs a fault message will appear. With the following guide, minor problems can be fixed without a service call.

Message	Possible fault	Fix
Fill coff. beans Ready for use	Coffee bean container is empty.	Refill with coffee beans.
Brew unit block.	The brew unit is clogged.	Clean the brew unit.
Brew unit miss.	The brew unit is not properly seated.	Take out the brew unit and reseal.
Descale	The unit needs to be descaled.	Descale the unit.
Expel air	Air has built up in the system. The unit is blocked.	<ul style="list-style-type: none"> – Fill the water tank. – Turn the program selector to "On with light" and place containers below the hot water dispenser and the steam nozzle. – Press the hot water button, turn the steam selector counterclockwise and let water run out until it streams steadily. – Press the hot water button again. Turn the steam selector to "o" to shut off the water.
Fresh water?	A reminder to fill the water tank with fresh water.	
Waste unit miss.	The waste unit is missing or not seated properly.	Return or reposition the waste unit.
Empty waste unit press ENTER.	The waste unit is full. The system will not dispense coffee until the waste unit is emptied.	Empty waste unit and press ENTER.
Energy-save mode . . . press ENTER	The unit is in the energy-save mode. Light is off.	Press ENTER.
Watersystem fault	There is a problem in the water lines.	Call Miele Technical Service.
Fill watertank	The water tank is empty or missing or the float in the water tank is stuck.	Empty water tank, rinse, fill with fresh water and replace.

Frequently asked questions

What if...	Possible fault	Fix
... there is no prompt in the message window?	The unit has no power.	Is the door closed? Check that the circuit has not tripped, the fuse has blown or that the appliance is unplugged. Otherwise contact the Miele Technical Service Department.
... the light does not illuminate?	<ul style="list-style-type: none"> – Is the door open? – Is the unit in standby mode? – Is the unit locked? 	If not, the light bulb has burned out. See "Changing the light bulb".
... nothing comes out of the steam nozzle?	The steam nozzle is clogged.	Carefully poke the opening with a thin, short needle or toothpick.
... the grinding is louder than normal?	There could be pebbles among the coffee beans.	Immediately turn off the unit. Call the Miele Technical Service Department.
... there is a low grinding noise?	<p>The coffee bean container is empty. A message appears in the message window.</p> <div style="border: 1px solid black; padding: 5px; width: fit-content; margin: 5px auto;"> <p>FILL COFF.BEANS READY FOR USE</p> </div>	Wait until the sound stops. Refill the coffee bean container.
... the display shows "Fill coff. beans Ready for use" but there are still beans in the coffee bean container?	The grinder has overheated. This happens after brewing 40 cups in quick succession.	Turn the coffee system off and let the grinder cool.
... the unit suddenly turns off?	Is the door closed?	Close the door properly.
	The water temperature could be too high.	The unit stops until the water has cooled.
	There could be stones in the coffee beans.	In this case the unit shuts off after 20 secs. to prevent damage. Call Technical Service.

Frequently asked questions

What if...	Possible fault	Fix
... the espresso is dispensed too quickly?	The grinder is set to too coarse of a setting.	Select a finer setting.
... the espresso is dispensed too slowly?	The grinder is set to too fine of a setting.	Select a coarser setting.
... the coffee is not hot enough?	Was the system warmed?	Pre-warm the system and cups.
		Check the temperature setting of the coffee selected.
		Check if the brew unit is clogged. Clean the brew unit.
... coffee was not dispensed although the beans were ground and the water tank is full?	Was the grinder set to the finest and to the maximum quantity of coffee?	The grinding process might have taken too long not allowing time for brewing. Set the grind size or the grinding amount to a different position.
... the descaling process was started accidentally?		Press ENTER once. The program will stop. If descaling agent is in the water tank, empty the water tank and rinse thoroughly with fresh water to clean away any descaling agent. The descaling process cannot be canceled once the steam selector is turned. The process must be completed. This is a safety feature so that the unit descales completely.
... the warm up time is longer, less water is dispensed and the machine is not working properly?	The unit needs descaling.	Descale the machine. See "Descaling the appliance."

Frequently asked questions

What if...	Possible fault	Fix
... no water runs out of the dispensers?	The brew unit is clogged.	Clean the brew unit filters.
... there is no crema?	Check if the grinder is set to the coarsest or finest setting.	Adjust the coffee grinder setting.
	The coffee is not fresh.	Use fresh coffee beans.
	The coffee dispensers are set too high.	Lower the height adjustable dispensers.
	Check the temperature setting of each drink option.	If the temperature is too high, the crema will collapse.
... the grinder setting slide won't move?	Coffee beans are blocking movement.	Close the unit and dispense a coffee. The slide control can now be moved.
... water appears in the waste unit?	This is not a fault. This is water residue from the cleaning process.	
... the brew unit cannot be removed?	The brew unit is only accessible, when the waste unit is removed. If the brew unit cannot be removed even when the waste unit is removed it is not in the basic position.	Close the door and turn the appliance on. The brew unit will reposition itself to the basic position.
... the brew unit cannot be pushed into the appliance?	The brew unit is not in the basic position.	The funnel must be lifted up and the connection piece must be in an upright position. See "Coffee system care/ Resetting the basic position."

Frequently asked questions

What if the display shows the alternating messages "RINSING CYCLE" and "SELECT PRODUCT READY FOR USE"?

This is a reminder to run the rinse cycle before the next use.

To clear the message a rinse cycle must be run.

- Fill the water container with fresh tap water.
- Set a container (34 ounces [1 liter]) under the spouts.



- Press the rinse button.

The display will read:



- Press ▼, to select "Rinsing cycle" with an asterisk.



- Press ENTER.

The rinse cycle lasts about 5 minutes. When complete, the coffee system is ready to use.

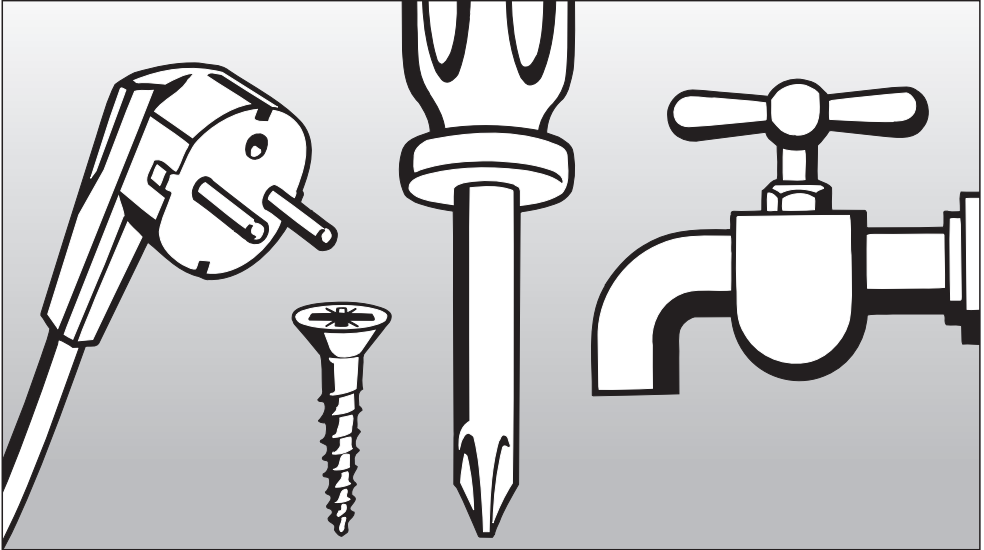
After sales service

In the event of a fault which you cannot correct yourself please contact the Miele Technical Service Department.

USA 1-800-999-1360
techserv@mieleusa.com

CDN 1-800-565-6435
service@miele.ca

When contacting the Technical Service Department, please quote the model and serial number of your appliance given on the data plate inside the appliance.



Installation instructions

Caring for the environment

Disposal of packing material

The cardboard box and packing materials protect the appliance during shipping. They have been designed to be biodegradable and recyclable. Please recycle.

Ensure that any plastic wrappings, bags, etc. are disposed of safely and kept out of the reach of children.
Danger of suffocation!

Disposal of an old appliance

Old appliances may contain materials that can be recycled. Please contact your local recycling authority about the possibility of recycling these materials.

Ensure that the appliance presents no danger to children while being stored for disposal. Before discarding an old appliance, unplug it from the outlet, cut off its power cord and remove any doors to prevent hazards.

All electrical work should be performed by a qualified electrician in strict accordance with national and local safety regulations.

Installation, repairs and other work by unqualified persons could be dangerous. The manufacturer cannot be held responsible for unauthorized work.

Ensure that power is not supplied to the appliance while installation or maintenance work is performed.

Important

The coffee system comes equipped with a 6 ft (1.8 m) power cord with a NEMA 5-15P molded plug for connection to a 120 V, 15 A, 60 Hz power supply.

Verify that the voltage, load and circuit rating information found on the data plate, match the household electrical supply before installing the coffee system.

If there is any question concerning the electrical connection of this appliance to your power supply, please consult a licensed electrician or call Miele's Technical Service Department.

 1-800-999-1360

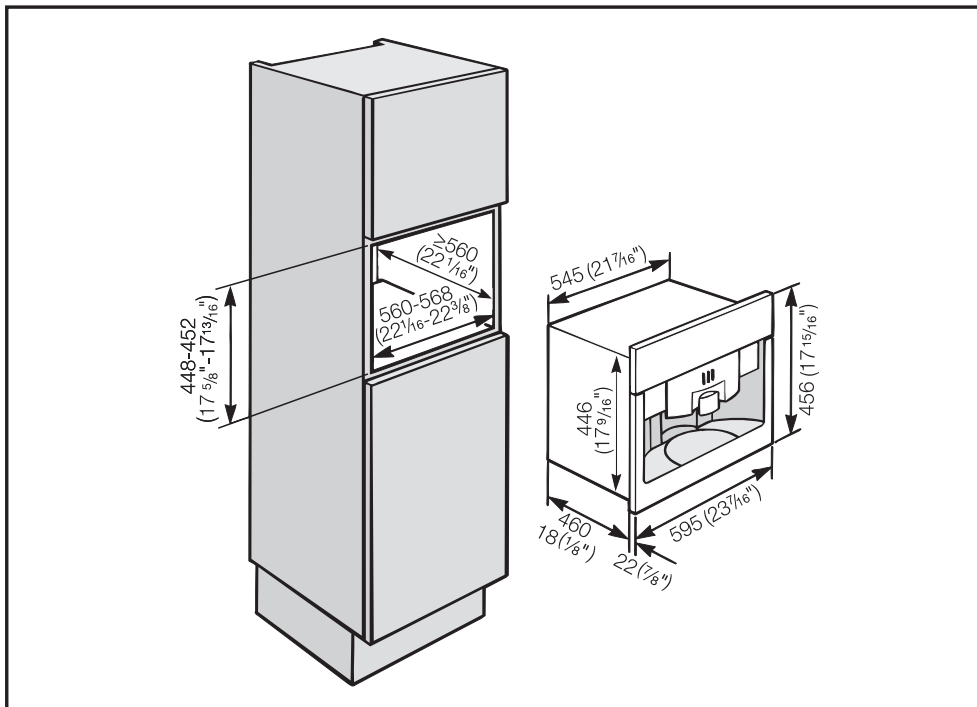
 1-800-565-6435

WARNING:
THIS APPLIANCE MUST BE
GROUNDING

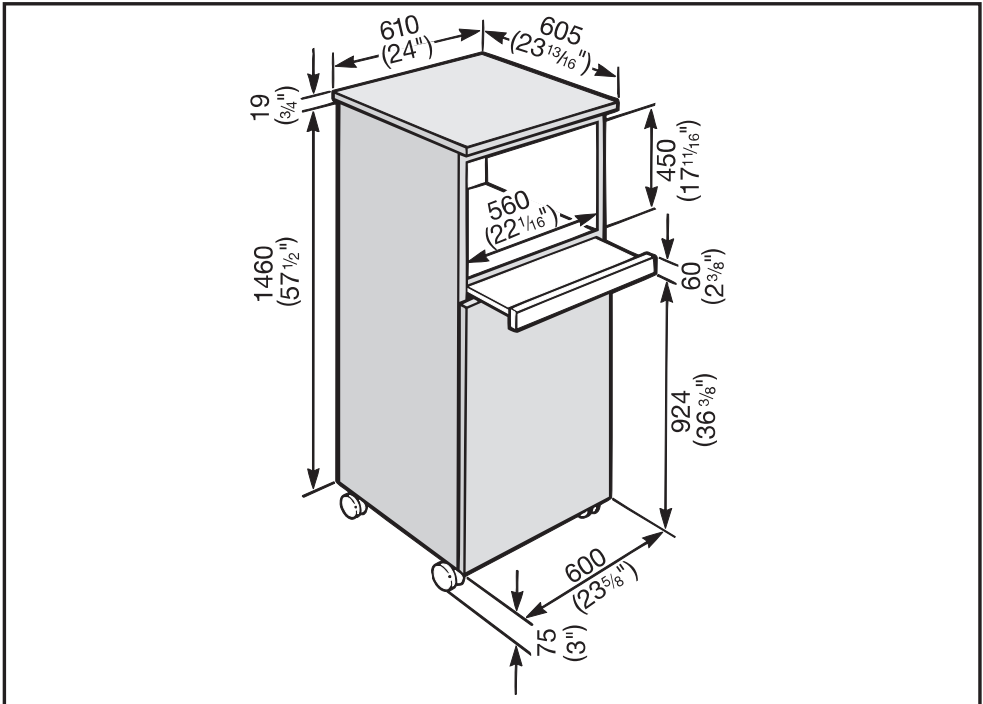
Installation

Installation options


The coffee system is designed to be built into cabinetry.



A speciality display cabinet is also available from your dealer or Miele's Technical Service Department as an installation option.



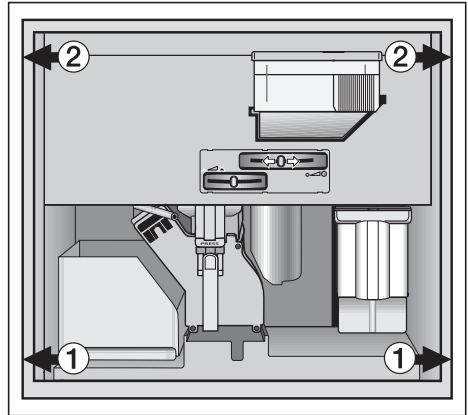
Installation

 Make sure power is not supplied to the appliance while installation or maintenance work is performed.

Disconnect the power supply to the work area by unplugging the unit, tripping the circuit breaker or removing the fuse.

The coffee system must be installed into cabinetry before being used.

- Plug the appliance into the electrical outlet.
- Push it all the way back into the cabinet, until there is resistance.
- Open the front of the machine and partially tighten the screws.



- Carefully turn the lower screws, ①, to center the machine in the cabinet.
- To secure the appliance in the cabinet, tighten the upper screws, ②, carefully by hand. **Do not** use an electric screwdriver.

Arabica is a high quality coffee bean. It is long and flat and with a groove running around it. The caffeine content is between 0.8 and 1.3 %. It is strong and aromatic, but less bitter than the Robusta bean.

Caffè is the Italian term for a standard espresso.

Caffè americano is a thin espresso with water added.

Caffè corretto is espresso with a dash of something stronger such as a liqueur.

Caffè freddo is iced espresso. An extended version of espresso served with ice.

Caffè latte is a double espresso in a large cup filled with hot milk, topped with little or no foam.

Caffè mocha consists of one third espresso, one third hot milk and one third cocoa.

Caffè ristretto is the strongest most concentrated espresso. The water is reduced to 2 tablespoons (30 ml) per serving.

Caffeine - the caffeine content of espresso is only a third or half the caffeine found in coffee. The stronger the roast, the less caffeine the espresso will contain.

Cappuccino is espresso with frothed milk. It is equal parts espresso, hot milk and foam.

Cappuccino chiaro is a "light" cappuccino with less espresso and more hot milk.

Cappuccino scuro is a "dark" cappuccino with more espresso and less hot milk.

Cappuccino senza schiuma is a cappuccino without the froth.

Crema is the sign of the perfect cup of espresso - a fine, nut or cinnamon brown foam on the surface of the espresso, which is only created when the pressure is sufficiently high. The crema contains foamed oils which are rich in flavor and aroma.

Espresso, see Caffè.

Espresso corto is a "short", strong espresso.

Espresso doppio is a double portion of espresso.

Espresso lungo is a longer, less concentrated version of espresso served in a standard coffee cup.

Espresso ristretto is a double strength, bitter tasting espresso.

Macchiato is espresso with a dollop of hot, foamed milk giving a dappled (macchiato) appearance.

Pre-warming the cups is recommended to prevent the espresso from cooling too quickly.

Robusta is a round and convex coffee bean with an almost straight groove. The caffeine content is around 2 to 2.5%. It is more bitter than the Arabica bean.

When contacting the Technical Service,
please quote the model and serial number
of your appliance.

The Miele logo is displayed in a bold, white, serif font against a solid black rectangular background.

Miele, Inc. (USA)

National Headquarters

9 Independence Way
Princeton, NJ 08540
Phone: 800-843-7231
609-419-9898
Fax: 609-419-4298
www.mieleusa.com

Technical Service & Support

Nationwide

Phone: 800-999-1360
Fax: 888-586-8056

Miele Limited (CDN)

National Headquarters

55G East Beaver Creek Road
Richmond Hill, ON L4B 1E5
Phone: 800-643-5381
905-707-1171
Fax: 905-707-0177
www.miele.ca
info@miele.ca (general enquiries)
professional@miele.ca (commercial enquiries)

Mielecare National Service

Phone: 800-565-6435
905-850-7456
Fax: 905-850-6651
service@miele.ca (Tech. Service)

Free Manuals Download Website

<http://myh66.com>

<http://usermanuals.us>

<http://www.somanuals.com>

<http://www.4manuals.cc>

<http://www.manual-lib.com>

<http://www.404manual.com>

<http://www.luxmanual.com>

<http://aubethermostatmanual.com>

Golf course search by state

<http://golfingnear.com>

Email search by domain

<http://emailbydomain.com>

Auto manuals search

<http://auto.somanuals.com>

TV manuals search

<http://tv.somanuals.com>