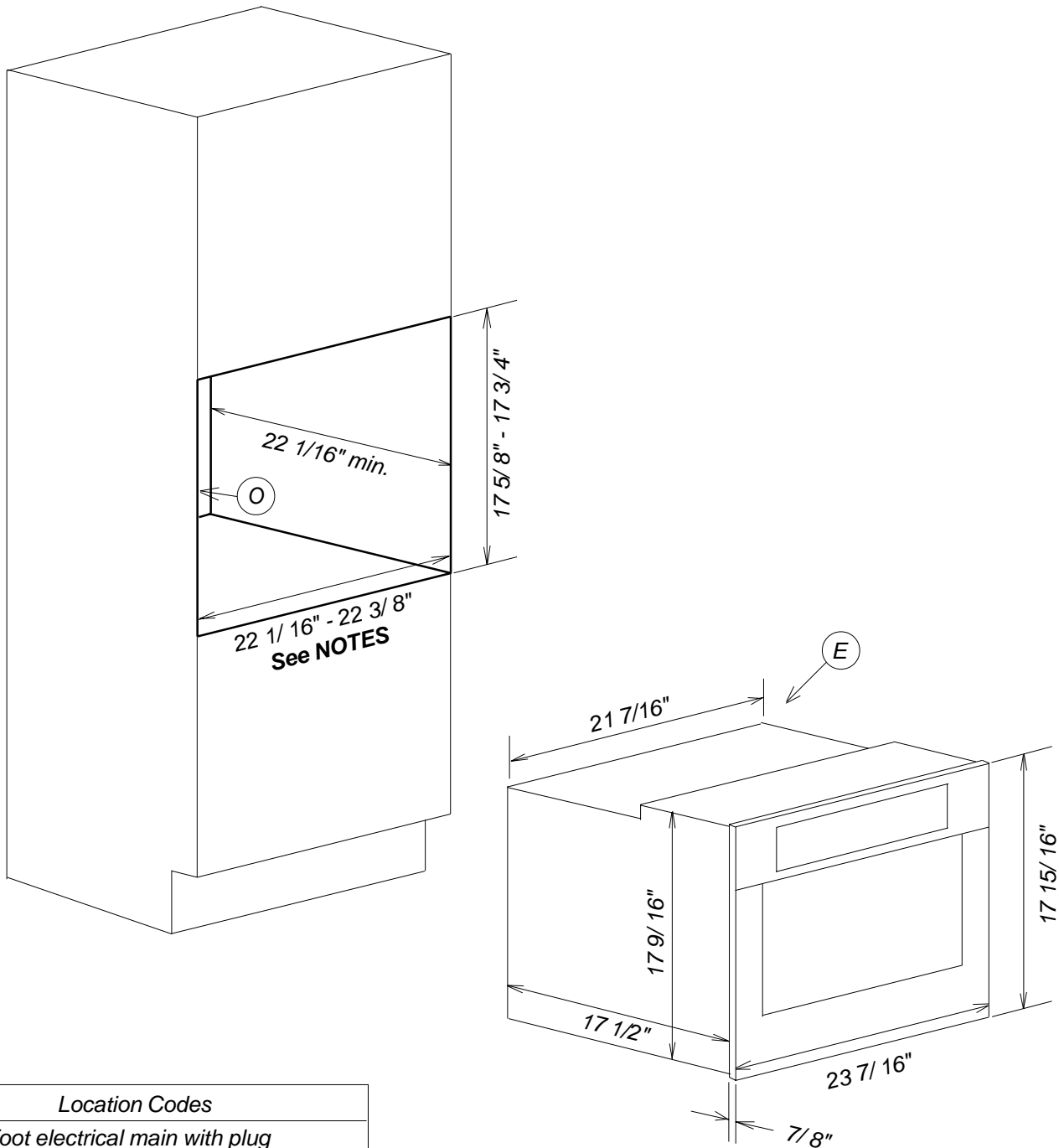


Product and Cut-out Dimensions Convection Steam Oven DG4082



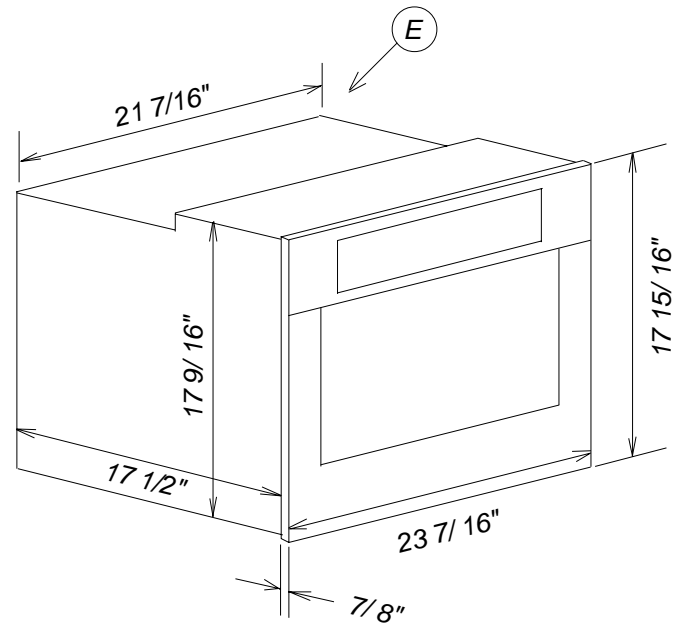
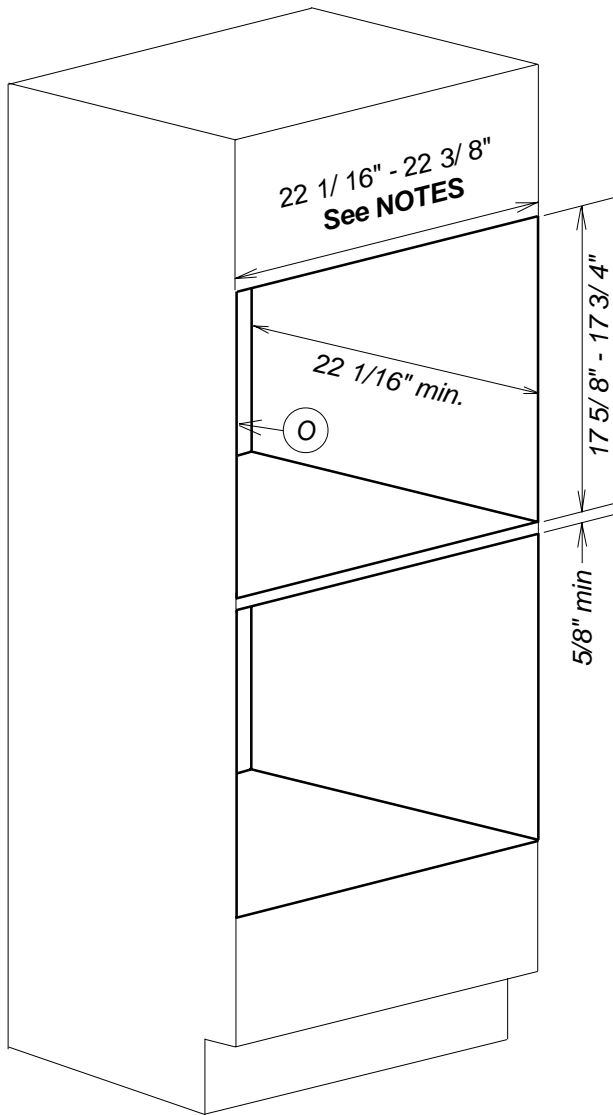
Location Codes
E - 5 foot electrical main with plug connects upper rear right side
O - 208 - 240 Volt - 15 Amp 3 wire connection with NEMA 6-15R. Location must be accessible
Notes
<ul style="list-style-type: none"> Width with optional EBA Trim Kits: EBA5470 26" - 26 1/4" EBA5476 28 3/8" - 28 1/2" All installations must be done in accordance with local codes.

NOTE: Drawing is not to scale.
SPECIFICATION SHEETS 150709

Product and Cut-out Dimensions

Convection Steam Oven

DG4082 over H4XXX Oven



Location Codes	
E	5 foot electrical main with plug connects upper rear right side
O	208 - 240 Volt - 15 Amp 3 wire connection with NEMA 6-15R. Location must be accessible
Notes	
<ul style="list-style-type: none"> Width with optional EBA Trim Kits: EBA5470 26" - 26 1/4" EBA5476 28 3/8" - 28 1/2" All installations must be done in accordance with local codes. 	

NOTE: Drawing is not to scale.
SPECIFICATION SHEETS 150709

Free Manuals Download Website

<http://myh66.com>

<http://usermanuals.us>

<http://www.somanuals.com>

<http://www.4manuals.cc>

<http://www.manual-lib.com>

<http://www.404manual.com>

<http://www.luxmanual.com>

<http://aubethermostatmanual.com>

Golf course search by state

<http://golfingnear.com>

Email search by domain

<http://emailbydomain.com>

Auto manuals search

<http://auto.somanuals.com>

TV manuals search

<http://tv.somanuals.com>