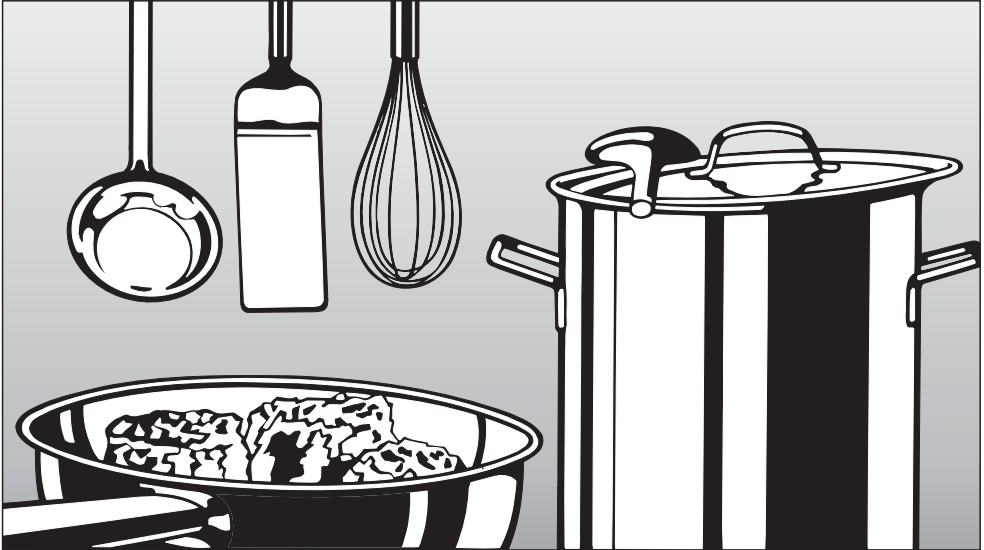


# Miele

## Operating Instructions



### Gas Cooktop KM 342 KM 344



To prevent accidents and machine damage, read the instructions

**before**

installation or use.



M.-Nr. 05 649 300

---

**WARNING:**

**If the information in this manual is not followed exactly, a fire or explosion may result causing property damage, personal injury or death.**

- **Do not store or use gasoline or other flammable vapors and liquids in the vicinity of this or any other appliance.**
- **WHAT TO DO IF YOU SMELL GAS**
  - **Do not try to light any appliance.**
  - **Do not touch any electrical switch.**
  - **Do not use any phone in your building.**
  - **Immediately call your gas supplier from a neighbor's phone. Follow the gas supplier's instructions.**
  - **If you cannot reach your gas supplier, call the fire department.**
- **Installation and service must be performed by a qualified installer, service agency or the gas supplier.**  
**(In Massachusetts a licensed plumber / gas fitter.)**
- **Note to the installer:**  
**Please leave this instruction book with the consumer for the local electrical / gas inspector's use.**

<b>IMPORTANT SAFETY INSTRUCTIONS</b> . . . . .	4
<b>Guide to the cooktop</b> . . . . .	8
KM 342. . . . .	8
KM 344. . . . .	9
<b>Before using the cooktop</b> . . . . .	10
Cleaning the cooktop. . . . .	10
<b>Using the cooktop</b> . . . . .	11
Fast-Ignition-System . . . . .	11
Turning on and off / Regulating . . . . .	11
Pan size . . . . .	13
Suitable pans . . . . .	13
Safety feature. . . . .	14
Using the cooktop during a power failure . . . . .	14
<b>Cleaning and care</b> . . . . .	15
<b>Frequently asked questions</b> . . . . .	17
<b>Technical Service</b> . . . . .	18
<b>Help protect our environment</b> . . . . .	20

# IMPORTANT SAFETY INSTRUCTIONS

## Installation and connection

**When using your gas appliance follow basic safety precautions including the following:**

- Read all instructions before using for the first time.
- Be certain your appliance is properly installed and grounded by a qualified technician.
- To guarantee the electrical safety of this appliance, continuity must exist between the appliance and an effective grounding system. It is imperative that this basic safety requirement be met. If there is any doubt, have the electrical system of the house checked by a qualified electrician. The manufacturer cannot be held responsible for damages caused by the lack, or inadequacy, of an effective grounding system.
- Install the appliance so that the power cord or gas piping does not come into contact with any portion of the cooktop which may become hot during use.
- Do not connect the appliance to the main electrical supply using an extension cord. Extension cords do not meet the safety requirements of this appliance.

■ Before servicing, turn off the gas valve and disconnect the power supply by either removing the fuse, unplugging the unit or manually "tripping" the circuit breaker.

■ This equipment has not been designed for maritime use or for use in mobile installations such as aircraft or recreational vehicles. However, under certain circumstances it may be possible for installation in these applications. Please contact the nearest Miele Dealer or the Miele Technical Service Department with specific requirements.

■ After connecting the appliance test for leaks according to the installation instructions.

■ If there is any doubt concerning installation contact Miele's Technical Service Department.

**(USA)** 1-800-999-1360  
techserv@mieleusa.com

**(CDN)** 1-800-565-6435  
service@miele.ca

# IMPORTANT SAFETY INSTRUCTIONS

## Correct usage

- Do not operate the cooktop until it is properly installed in the countertop.
- This appliance is intended for residential cooking only.
- Use the appliance only for its intended purpose. The manufacturer cannot be held responsible for damages caused by improper use of the cooktop.
- Be sure drafts do not blow flammable material toward the flames or push the flames so that they extend beyond the edges of the pan.
- For safety reasons never use the cooktop to warm the room.
- Install the cooktop in a room that has sufficient ventilation.
- This appliance must not be operated outdoors.
- Do not use aluminum foil to line any part of the cooktop.
- For proper lighting and performance of the burners, keep the igniters clean and dry.
- Make sure all components of the gas burners are assembled correctly before using the cooktop.
- Ensure that any burners in use are always covered with a pan.

■ Do not use pans that extend past the burner grate. Using larger pans may cause the flames to spread out and damage the surrounding countertop or other countertop appliances.

■ For safety and stability, do not use pans with a bottom diameter smaller than the burner grate.

■ Only certain types of glass, ceramic or other glazed cookware are suitable for use on a cooktop without breaking due to a sudden temperature change.

■ Do not store aerosols, gasoline, combustibles or any other flammable materials underneath or adjacent to the cooktop.

## Protection from damage

■ Do not use a steam cleaner to clean the appliance. Steam could penetrate electrical components and cause a short circuit.

■ Spills containing salt or sugar should be removed immediately.

■ Do not drop anything on the ceramic surface of the appliance. Although the ceramic glass is shock and scratch resistant, it is not shock or scratch proof.

# IMPORTANT SAFETY INSTRUCTIONS

## Personal safety

■ The burners become very hot when in use. Make sure that no one comes in contact with them.

■ Do not leave children unattended in an area where the appliance is in use.

■ Do not store toys or items of interest to children in cabinets above or behind the cooktop. Children climbing onto the cooktop to reach these items may become seriously injured.

■ Do not allow children to operate or play with the cooktop. Keep all pans out of the reach of children.

■ Use only dry, heat resistant potholders. Moist or damp potholders used on hot surfaces can result in steam burns. Do not let the potholder touch the hot burners. Do not use towels or other bulky items near the appliance.

■ Be aware of loose fitting or hanging garments when operating the cooktop, they may present a fire hazard.

■ Do not heat unopened food containers. Built-up pressure may cause the container to burst and result in injury.

■ Do not store items on the cooktop when not in use.

■ Do not let cooking grease or other flammable materials accumulate on the appliance.

■ Do not leave the cooktop unattended while in use. Boil-overs cause smoking, and greasy spill-overs may ignite.

■ Do not use water on grease fires. Smother any fire or flame, or use a dry chemical or foam-type extinguisher.

■ Do not flambé under an exhaust hood. Flames could be drawn up into the hood by the suction or the grease filters may ignite.

■ For safety reasons the flame should be adjusted to be the same size as the bottom of the pan or smaller. Do not use small pans with high flame settings as the flames can climb the sides of the pan.

■ Only use cooking utensils suitable for cooktop use.

■ Always position pan handles and utensils inward so they do not extend over adjacent work areas, burners, or the edge of the cooktop.

■ If there is a drawer directly underneath the appliance without any wooden base in between, ensure that no aerosols, combustible liquids or other easily flammable materials are kept in it. If cutlery inserts are to be placed in the drawer, these must be made of heat-resistant material.

# IMPORTANT SAFETY INSTRUCTIONS

---

## Damage to the appliance

■ In the event of damage or a defect, turn off the appliance immediately.

Turn off the gas shut off valve and disconnect completely from the electricity supply. Contact the Miele Technical Service Department.

Do not use the appliance until it has been repaired.

Ensure power is not supplied to the appliance while repair work is carried out.

■ Any breakages or cracks in the ceramic surface of the appliance are defects and must be treated as such. Do not use the appliance until it has been repaired.

■ Repairs should only be performed by qualified technicians to ensure safety. Repairs and other work by unqualified persons could be dangerous. Under no circumstance open the outer casing of the appliance.

■ While the appliance is under warranty repairs should only be performed by a Miele authorized service technician. Otherwise the warranty is void.

## Further safety notes

■ When using a portable appliance near the cooktop, make sure that its power cord does not come in contact with the cooktop.

■ Do not use containers made of plastic or aluminum. They may melt at high temperatures.

■ Do not heat empty pots or pans, they may be damaged.

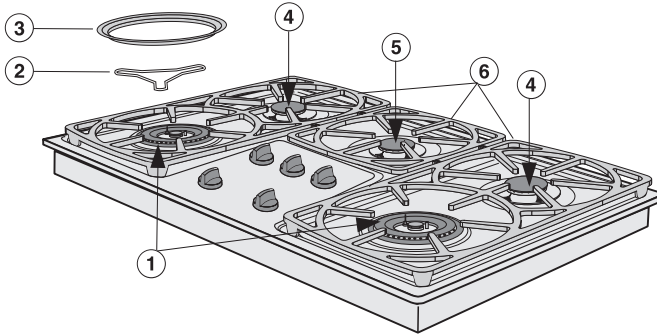
■ Before discarding an old appliance, disconnect it from the gas and electrical supply and cut off the power cord to prevent it from becoming a hazard.

## SAVE THESE INSTRUCTIONS

# Guide to the cooktop

---

## KM 342

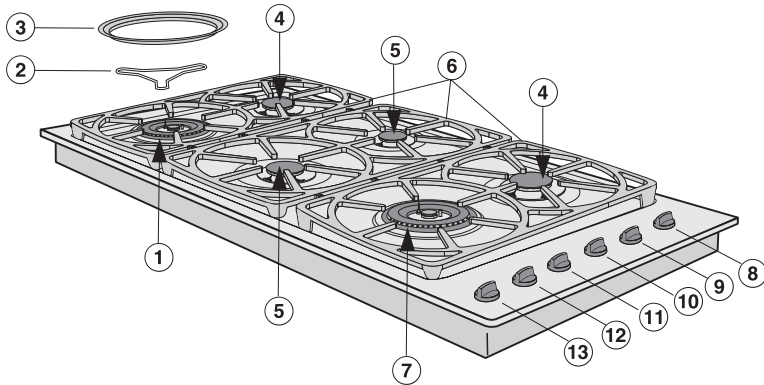


- ① Wok Burners
- ② Trivet
- ③ Wok Ring
- ④ Normal Burners
- ⑤ Fast Burner
- ⑥ Grates

The layout of the control knobs corresponds with the layout of the burners.



## KM 344



- ① Wok Burner Small
- ② Trivet
- ③ Wok Ring
- ④ Normal Burners
- ⑤ Fast Burners
- ⑥ Grates
- ⑦ Wok Burner Large

Control Knobs:

- ⑧ Left rear burner
- ⑨ Center rear burner
- ⑩ Right rear burner
- ⑪ Front left burner
- ⑫ Front center burner
- ⑬ Front right burner

### Accessories

A griddle plate and simmer plate are available as additional accessories.

A conversion kit is also available if the appliance is to be connected to another type of gas.

To purchase contact your Miele dealer or Miele.

# Before using the cooktop

---

## Cleaning the cooktop

Before using for the first time clean the appliance as follows:

- Wash the gas burner assembly with a mild solution of warm water and liquid dish soap.
- Wipe dry and reassemble the parts in the proper order (see "Cleaning and care").
- Wipe the cooktop with a damp cloth and dry thoroughly.

Metal components have a protective coating which may give off a slight odor the first time your new appliance is heated.

The harmless odor will dissipate after a short time and does not indicate a faulty connection or appliance defect.

## Fast-Ignition-System

The gas cooktops are equipped with a Fast-Ignition-System which incorporates the following features:

- The control knob can be released once it is turned to the largest flame symbol.
- If the flame goes out during use, e.g. from a draft, the burner will automatically reignite.  
If reignition is unsuccessful, the gas supply will automatically be cut (see "Safety feature").

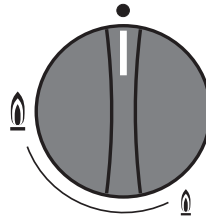
As a result of the Fast-Ignition-System, the ignitor stays activated for a few seconds, even when the flame is already lit.

- To prevent a gas leak, the Fast-Ignition-System will click until the safety thermostat is activated.

## Turning on and off / Regulating

The control knob is used to light the burner and to regulate the strength of the flame.

### Normal / Fast burner

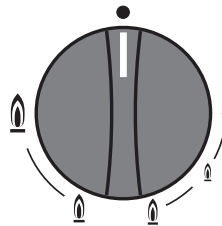


- Cooktop is turned off

🔥 Highest flame

🔥 Lowest flame

### Wok burner



- Cooktop is turned off

🔥 Highest flame:  
inner and outer burner  
are both at their highest setting.

🔥 High flame:  
outer burner is at the lowest setting,  
inner burner is at the highest setting.

🔥 Low flame:  
outer burner is turned off,  
inner burner is at the highest setting.

🔥 Lowest flame:  
outer burner is turned off,  
inner burner is at the lowest setting.

# Using the cooktop

## Turning on

- To light a burner press down and turn the corresponding control knob counterclockwise to the largest flame symbol. Release the knob. The ignitor will click and ignite the gas.

The ignition process lasts about 8 - 10 seconds. The flame should light within 4 seconds. Even if the flame is lit, the ignition will continue to click for a few seconds for safety. If the burner does not light, repeat the process.

If the burner does not light on the second attempt, turn the control knob to "●" and see "Frequently asked questions".

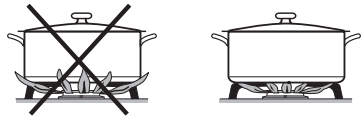
- Now adjust the knob to the desired setting.

## Regulating the wok burner

The inner and outer burners are both controlled by one control knob. There is a stop at the 6 o'clock position that requires you to press the knob down while turning it in order to get from the high flame to the low flame zone.

- To reduce the flames from a high to low setting, turn the control knob counterclockwise until you feel resistance. Press the knob down to pass the stop, then release the pressure and set the cooktop to the desired setting.

- To increase the flames from a low to high setting, turn the control knob clockwise until you reach the stop. Press the knob down to pass the stop, then release the pressure and set the cooktop to the desired setting.



Since the outer portion of the flame is much hotter than the center, the flame should be set so that it does not spread beyond the sides of the pan. Flame tips which extend beyond the sides of the pan are hazardous.

## Turning off

- Turn the control knob clockwise to "●".

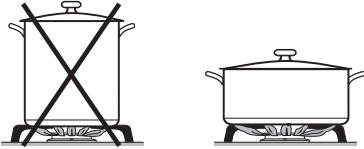
This stops the flow of gas and turns off the cooktop.

The knob must only be turned left to turn the appliance on and right to turn it off.

If the knob is turned,  
- on without pressing it down first,  
- clockwise past the 12 o'clock position, or  
- counterclockwise past the smallest flame symbol,  
parts of the cooktop could get damaged. The manufacturer cannot be held responsible for these damages.

## Pan size

- Set the cooktop to a high flame when using a large diameter pan and low flame when using small diameter pans.



- Generally, wide / shallow pans will heat quicker and cook more evenly than narrow / tall ones.
- Using oversized pans may cause the flames to spread out and damage the surrounding countertop or other countertop appliances. The proper pan size will also improve efficiency.
- Do not use small pans with high flame settings, the flames may climb the sides of the pan.
- Pots with a smaller diameter than the pan support and pots that do not sit securely (without wobbling) are hazardous and should not be used.

## Suitable pans

Unlike pans used on an electric cooktop, the bases do not need to be even for good results.

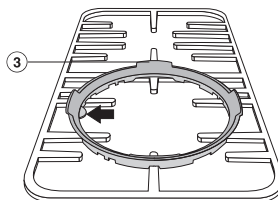
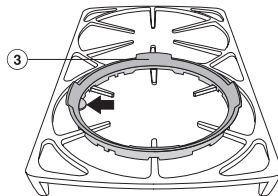
Thick pan bases will give more even results, as hot spots are reduced due to better heat distribution.

Thin pan bases will conduct the heat faster but not as evenly as thick pan bases. Stir the food frequently to prevent burning.

## Wok burners

You can use a wok on these burners with out any additional rings, trivets, etc.

If you wish to use the wok ring, ③, for extra stability please put it on as shown in the following illustrations (depending on your grates).



# Using the cooktop

---

## Safety feature

This appliance is equipped with an Ignition Safety Control. This control cuts the gas supply if the flame goes out and reignition is unsuccessful.

- To reignite the burner, turn the control knob to "●", then follow the procedure outlined in "Turning on and off / Regulating".

This safety feature is not operated by electricity, it will be active even if the appliance is in use during a power failure.

## Using the cooktop during a power failure

If there is an interruption to the electrical supply, the gas can be ignited using a match.

- Press down and turn the desired control knob counterclockwise to the largest flame symbol.
- While holding down the knob, light the gas at the burner with a match.
- When the flame appears, keep the control knob pressed in for 8 - 10 seconds to allow for the Ignition Safety Control to reach operating temperature.

Never use a steam cleaner to clean this cooktop. Pressurized steam could cause permanent damage to the surface and to components for which the manufacturer cannot accept responsibility.

Do not use any sharp or pointed objects which could damage the seal between the frame and the countertop.

Never use scouring agents, pads, abrasive cleaning agents, or strong cleaners, e.g. oven sprays, stain or rust removers, these could damage the surface of the appliance.

Keep the ignitor in the burner dry. If it gets wet it will not spark.

Dry your cooktop thoroughly after cleaning it to prevent lime deposits.

Spills containing salt or sugar should be cleaned immediately.

## Cooktop

Let the appliance cool down to a safe temperature before removing the grates.

- Clean the grates, cooktop and knobs with a sponge and a mild solution of warm water and liquid dish soap.
- Soak baked or hardened spills. Dry the cooktop and grates thoroughly after cleaning.

## Stainless steel

- Stainless steel surfaces can be cleaned using a non-abrasive stainless steel cleaner.
- To help prevent resoiling, a conditioner for stainless steel can also be used. Apply sparingly with even pressure.

## Stainless steel colored knobs

These controls may become discolored or damaged if not cleaned regularly.

Do not use a stainless steel cleaner on the knobs.

# Cleaning and care

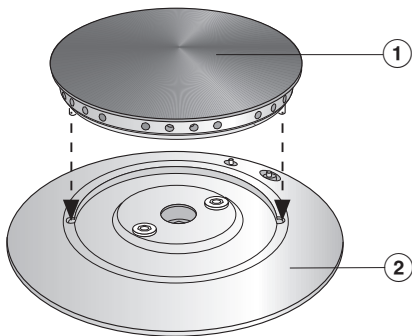
## Burners

The burners can be dismantled and cleaned when cool.

- Remove the burner parts and wash them in a solution of hot water and liquid dish soap. Dry them thoroughly. Make sure that the flame holes are clean and completely dry.
- Wipe the burner base clean with a damp cloth and then dry.
- Gently wipe the ignitor and ignition safety control with a slightly damp cloth, and then wipe dry.

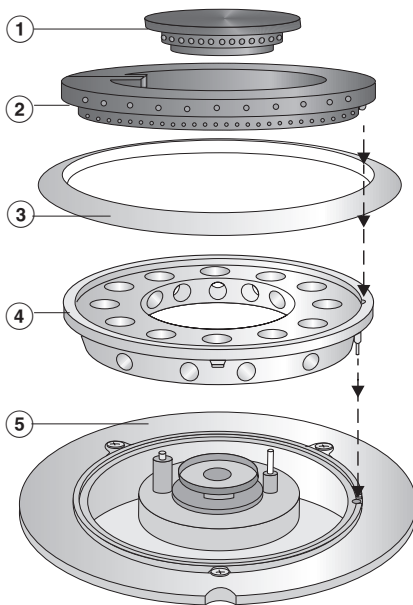
Make sure that no liquid gets into the appliance.

## Reassembling the normal and fast burners



- Place the burner cap, ①, onto the burner base, ②, so that the notches fit into the holes (see arrows).

## Reassembling the wok burner



- Place the burner head, ④, onto the burner base, ⑤.
- Fit the burner ring, ③.
- Fit the large burner cap, ②, onto the burner head, ④.
- Seat the small burner cap, ①.
- Put the grates in place.

Be careful not to mix up the parts. Make sure that all the locating tabs and notches align exactly.



All repairs should be performed by a trained technician in strict accordance with national and local codes. Any repairs or maintenance performed by unqualified personnel could be dangerous.

Some minor problems can be fixed without a service call.

### What if ...

#### **... the burners do not ignite after several attempts?**

Check if:

- the burners are assembled correctly.
- the gas valve is open.
- the burners are dry and clean.
- the flame holes in the burners are clean and unblocked.
- the igniters are wet.
- the cooktop is plugged in and that the circuit breaker has not tripped. If lack of power is the problem, the cooktop can be lit with a match. See "Using the cooktop during a power failure".

#### **... the flame goes out after being lit?**

- Check whether the burners are assembled correctly.
- Make sure the gas holes in the burner ring are clean and open.

#### **... the igniters no longer work?**

- Check that there is no residue between the ignitor and the burner.
- Make sure the ignitor is dry.

#### **... the flame appears different than usual?**

- Check whether the burners are assembled correctly.

## Technical Service

---

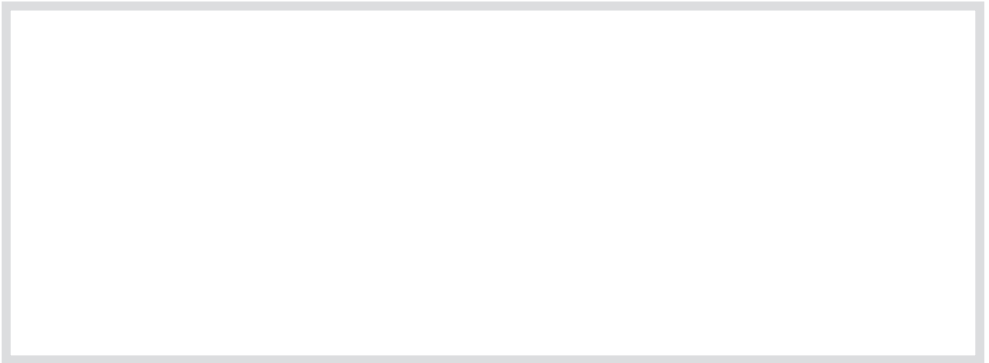
In the event of a fault which you cannot easily fix yourself, please contact the Miele Technical Service Department:

**USA** 1-800-999-1360  
techserv@mieleusa.com

**CDN** 1-800-565-6435  
service@miele.ca

When contacting Technical Service please quote the serial number and model of the cooktop. This information is visible on the silver data plate supplied with the cooktop.

Adhere data plate sticker here:



## **MieleCare**

(USA only)

**MieleCare**, our Extended Service Contract program; gives you the assurance of knowing that your appliance investment is covered by 5 years of worry free ownership.

**MieleCare** is the only Extended Service Contract in the industry that guarantees repairs by a Miele Authorized Service Provider using genuine Miele parts. Only genuine Miele parts installed by factory trained professionals can guarantee the safety, reliability and longevity of your Miele appliance.

Please note that unless expressly approved in writing by the Miele Service department, Extended Service Contracts offered by other providers for Miele products will not be recognized by Miele. Our goal is to prevent unauthorized (and untrained) service personnel from working on your Miele products, possibly doing further damage to them, you and/or your home.

To learn more about **MieleCare** Extended Service Contracts, please contact your appliance dealer or visit us online at:

**[www.store.miele.com](http://www.store.miele.com)**

# Help protect our environment

---

## Disposal of packing materials

The cardboard box and packing materials are environmentally friendly for disposal. Please recycle.

## Disposal of an old appliance

Old appliances contain materials that can be recycled. Please contact your local recycling center about the possibility of recycling these materials.

Before discarding an old appliance, disconnect it from the gas and electrical supply and cut off the power cord to prevent it from becoming a hazard.







When contacting the Technical Service,  
please quote the model and serial number  
of your appliance.

---



**Miele, Inc.** (USA)

**National Headquarters**

9 Independence Way

Princeton, NJ 08540

Phone: 800-843-7231

609-419-9898

Fax: 609-419-4298

[www.miele.com](http://www.miele.com)

**Technical Service & Support  
Nationwide**

Phone: 800-999-1360

Fax: 888-586-8056

**Miele Limited** (CDN)

**National Headquarters**

55G East Beaver Creek Road

Richmond Hill, ON L4B 1E5

Phone: 800-643-5381

905-707-1171

Fax: 905-707-0177

[www.miele.ca](http://www.miele.ca)

[info@miele.ca](mailto:info@miele.ca) (general enquiries)

[professional@miele.ca](mailto:professional@miele.ca) (commercial  
enquiries)

**Mielecare National Service**

Phone: 800-565-6435

905-850-7456

Fax: 905-850-6651

[service@miele.ca](mailto:service@miele.ca) (Tech. Service)



## Free Manuals Download Website

<http://myh66.com>

<http://usermanuals.us>

<http://www.somanuals.com>

<http://www.4manuals.cc>

<http://www.manual-lib.com>

<http://www.404manual.com>

<http://www.luxmanual.com>

<http://aubethermostatmanual.com>

Golf course search by state

<http://golfingnear.com>

Email search by domain

<http://emailbydomain.com>

Auto manuals search

<http://auto.somanuals.com>

TV manuals search

<http://tv.somanuals.com>